



US00D986233S

(12) **United States Design Patent**
Kim et al.

(10) **Patent No.:** **US D986,233 S**

(45) **Date of Patent:** **** *May 16, 2023**

(54) **CASE FOR ELECTRONIC DEVICE**

(71) Applicant: **SAMSUNG ELECTRONICS CO., LTD.**, Suwon-si (KR)

(72) Inventors: **Baek-Ki Kim**, Suwon-si (KR); **Han Kim**, Suwon-si (KR); **Hyun-Keun Son**, Suwon-si (KR); **Bum-Soo Park**, Suwon-si (KR)

(73) Assignee: **SAMSUNG ELECTRONICS CO., LTD.**, Gyeonggi-Do (KR)

(*) Notice: This patent is subject to a terminal disclaimer.

(**) Term: **15 Years**

(21) Appl. No.: **29/771,797**

(22) Filed: **Feb. 25, 2021**

(30) **Foreign Application Priority Data**

Sep. 8, 2020 (KR) 30-2020-0042601

(51) **LOC (14) Cl.** **14-03**

(52) **U.S. Cl.**
USPC **D14/250**

(58) **Field of Classification Search**

USPC D14/203.3–203.7, 439, 447, 251–253, D14/217, 240, 238.1, 440, 248, 250; D13/103, 107–108, 119; D3/201, 218, D3/247, 249, 269, 273, 301, 303

CPC H04B 1/3888; A45C 13/02; A45C 11/00; A45C 2011/002; A45C 1/06; A45F 2200/0525; A45F 2005/026; A45F 2200/0516; H04M 1/0283; H04M 1/0202

See application file for complete search history.

(56) **References Cited**

U.S. PATENT DOCUMENTS

D619,361 S * 7/2010 Andre D3/269
D643,029 S * 8/2011 Feng D14/250

D654,485 S * 2/2012 Chang D14/250
D669,063 S * 10/2012 Rothbaum D14/250
D675,197 S * 1/2013 Losiewicz D14/250
D713,833 S * 9/2014 Wilkey D14/250
D721,360 S * 1/2015 Laffon de Mazieres D14/250
D795,237 S * 8/2017 Jung D13/108
D798,283 S * 9/2017 Kim D14/250
9,979,429 B2 * 5/2018 Altschul H04M 1/04

(Continued)

Primary Examiner — Carla J Wright

(74) *Attorney, Agent, or Firm* — Cantor Colburn LLP

(57) **CLAIM**

The ornamental design for a case for electronic device, as shown and described.

DESCRIPTION

FIG. 1 is a front perspective view of a first embodiment of a case for electronic device, showing our new design;

FIG. 2 is a front view thereof;

FIG. 3 is a rear view thereof;

FIG. 4 is a left-side view thereof;

FIG. 5 is a right-side view thereof;

FIG. 6 is a top view thereof;

FIG. 7 is a bottom view thereof;

FIG. 8 is a rear perspective view thereof;

FIG. 9 is a front perspective view of a second embodiment of a case for electronic device, showing our new design;

FIG. 10 is a front view thereof;

FIG. 11 is a rear view thereof;

FIG. 12 is a left-side view thereof;

FIG. 13 is a right-side view thereof;

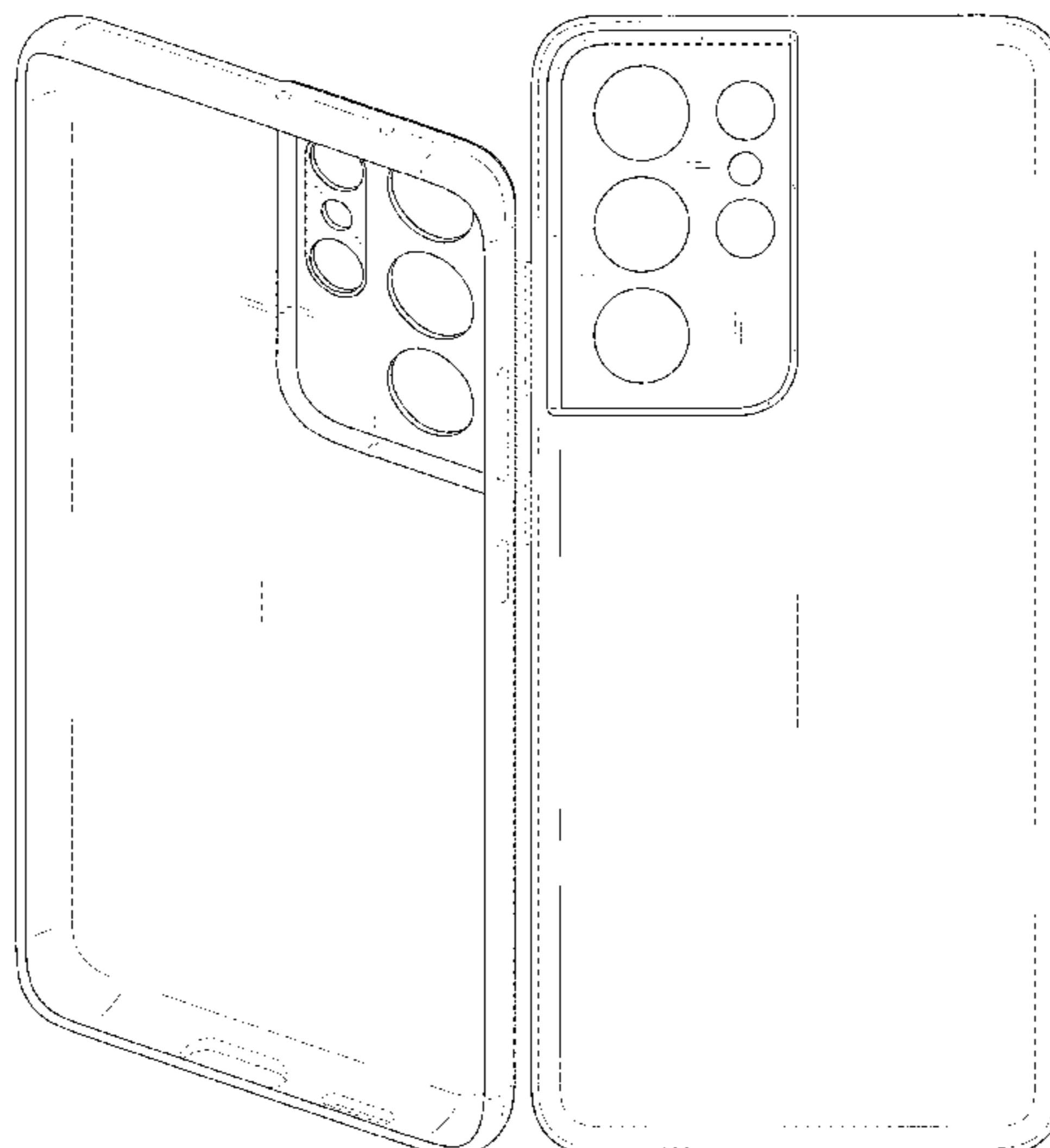
FIG. 14 is a top view thereof;

FIG. 15 is a bottom view thereof; and,

FIG. 16 is a rear perspective view thereof.

The broken lines in the drawings figures form no part of the claimed design and depict portions of the case for electronic device that form no part of the claimed design.

1 Claim, 16 Drawing Sheets



(56)

References Cited

U.S. PATENT DOCUMENTS

| | | | | | | |
|--------------|----|---|---------|-----------|-------|--------------------------|
| D847,807 | S | * | 5/2019 | Wright | | D14/250 |
| D849,734 | S | * | 5/2019 | Wu | | D14/250 |
| D853,373 | S | * | 7/2019 | Kim | | D14/250 |
| D855,610 | S | * | 8/2019 | Wei | | D14/250 |
| D865,745 | S | * | 11/2019 | Hyun | | D14/250 |
| D877,131 | S | * | 3/2020 | Yang | | D14/250 |
| 10,868,996 | B1 | * | 12/2020 | Lang | | H04N 5/378 |
| D907,618 | S | * | 1/2021 | Rodriguez | | D14/250 |
| D917,448 | S | * | 4/2021 | Song | | D14/250 |
| D924,863 | S | * | 7/2021 | Wright | | D14/250 |
| D928,766 | S | * | 8/2021 | Park | | D14/250 |
| D928,769 | S | * | 8/2021 | Kim | | D14/250 |
| D929,982 | S | * | 9/2021 | Tadesse | | D14/250 |
| D948,517 | S | * | 4/2022 | Jeon | | D14/440 |
| D959,417 | S | * | 8/2022 | Feng | | D14/250 |
| 2014/0221056 | A1 | * | 8/2014 | Gandhi | | H04B 1/3888 455/575.8 |

* cited by examiner

FIG. 1

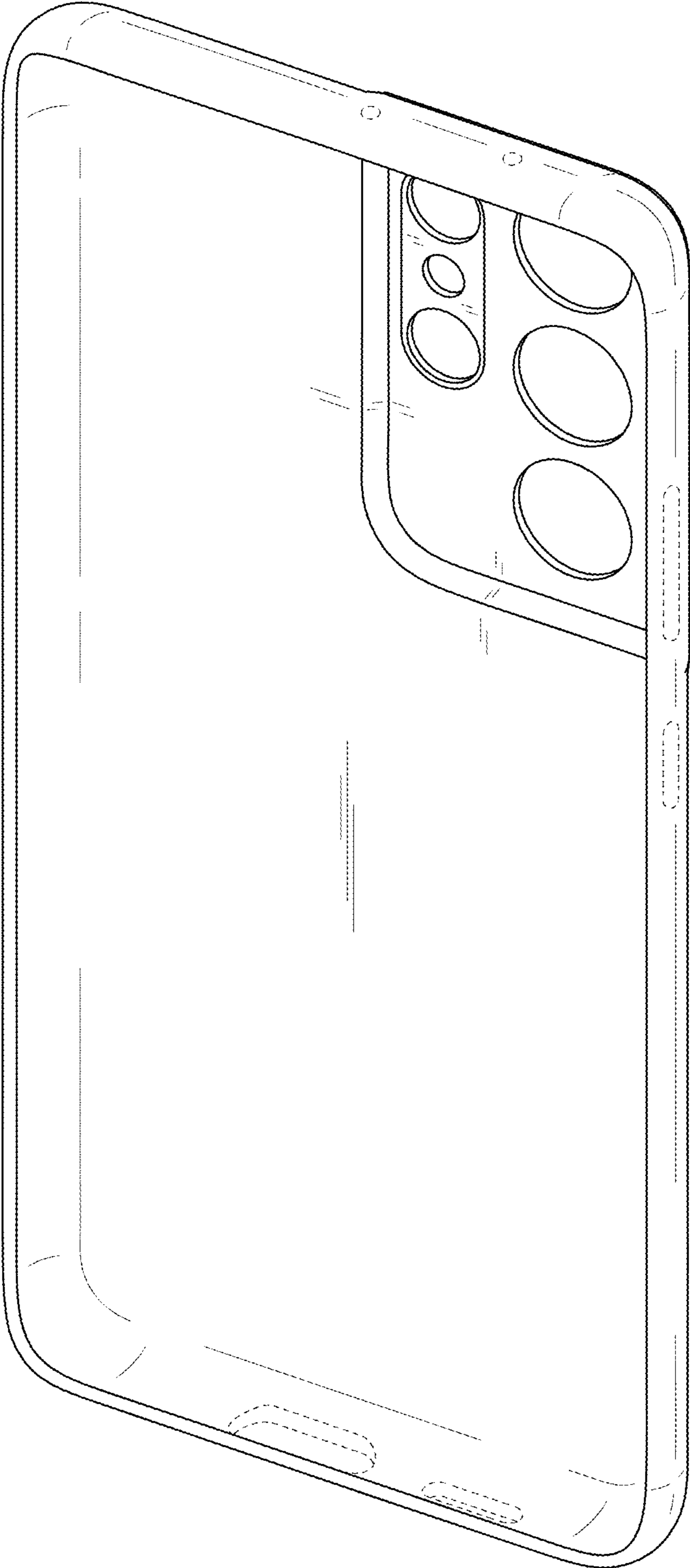


FIG. 2

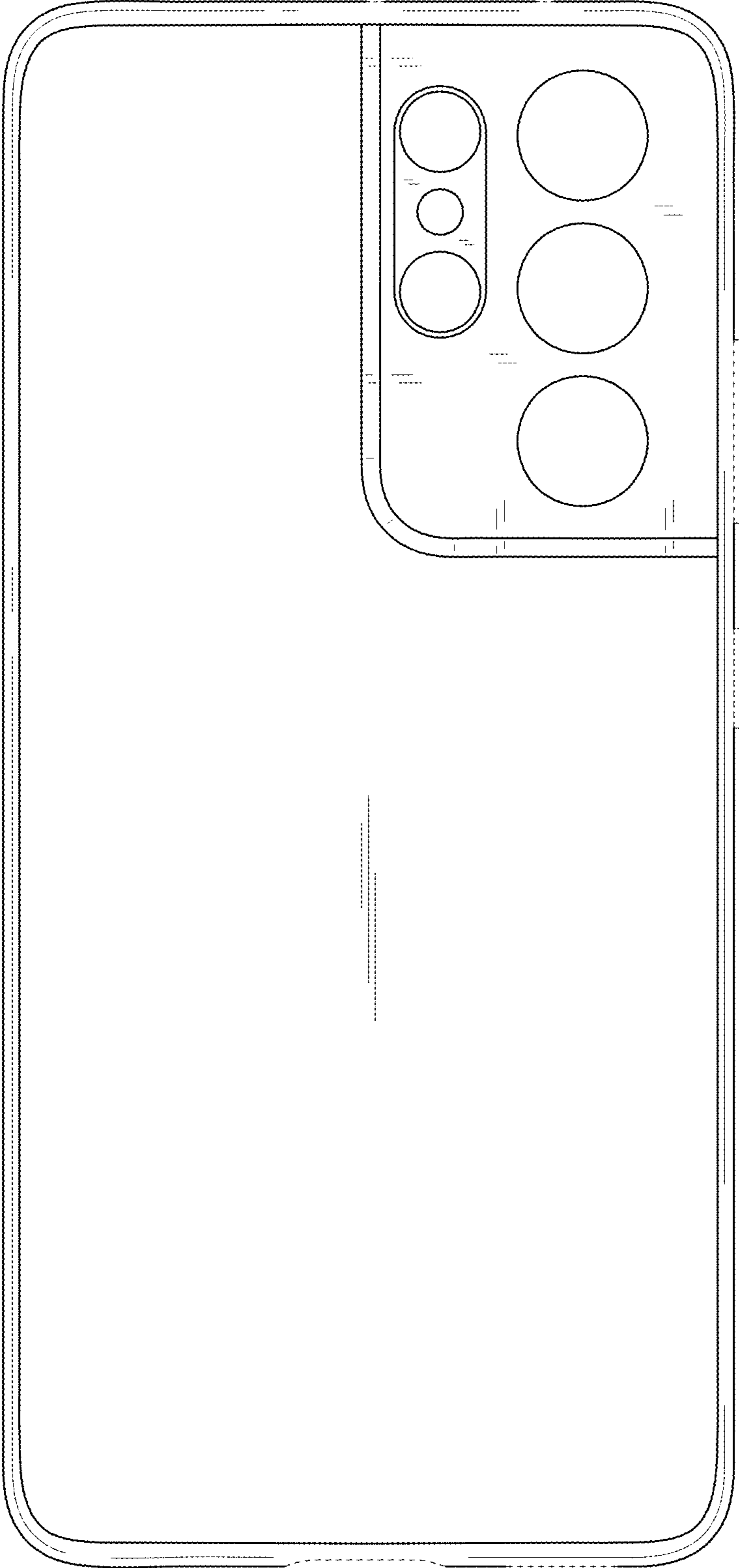


FIG. 3

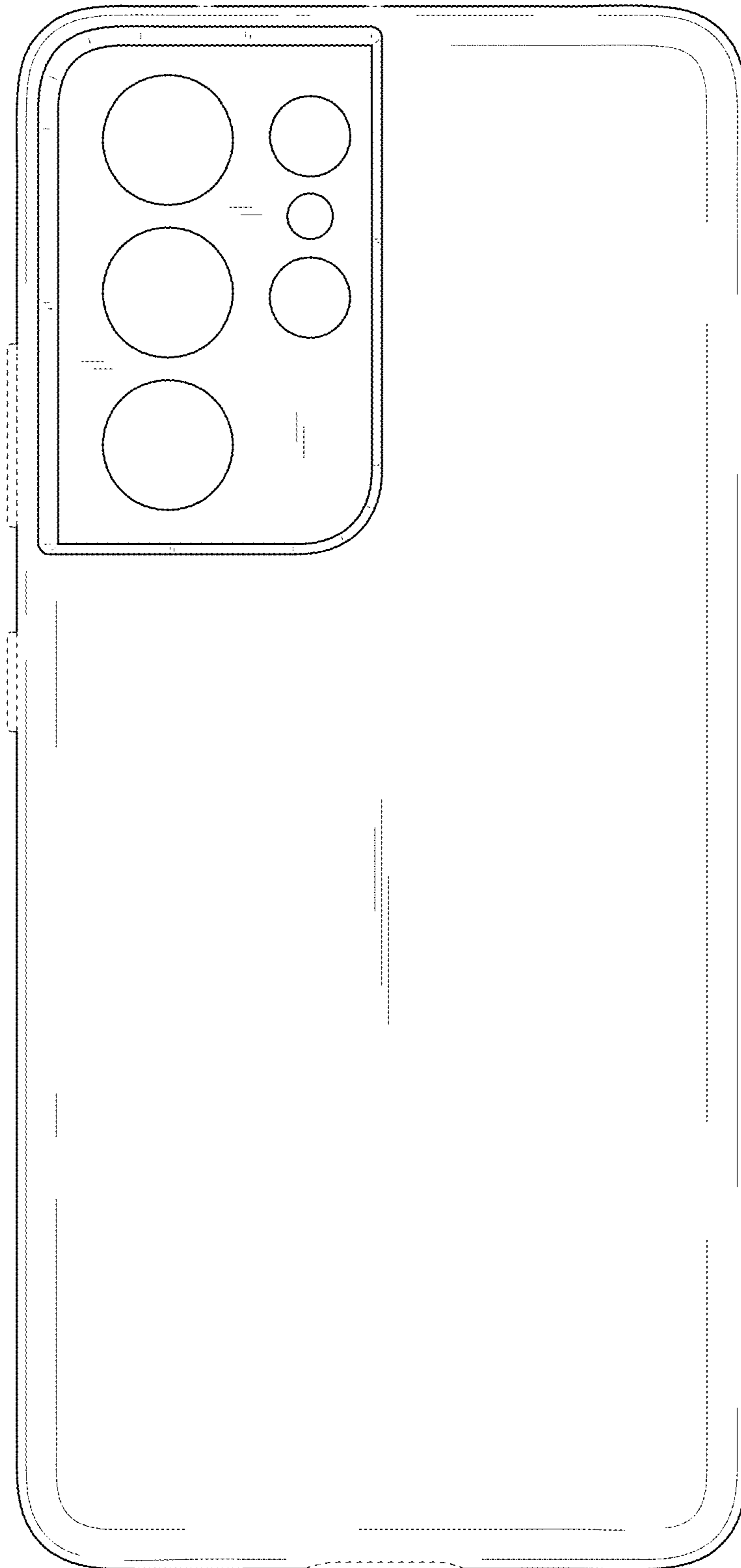


FIG. 4

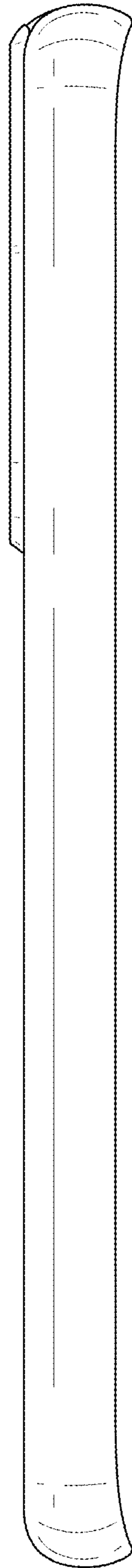


FIG. 5

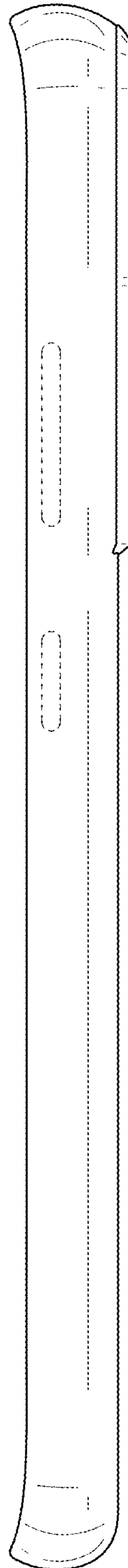


FIG. 6

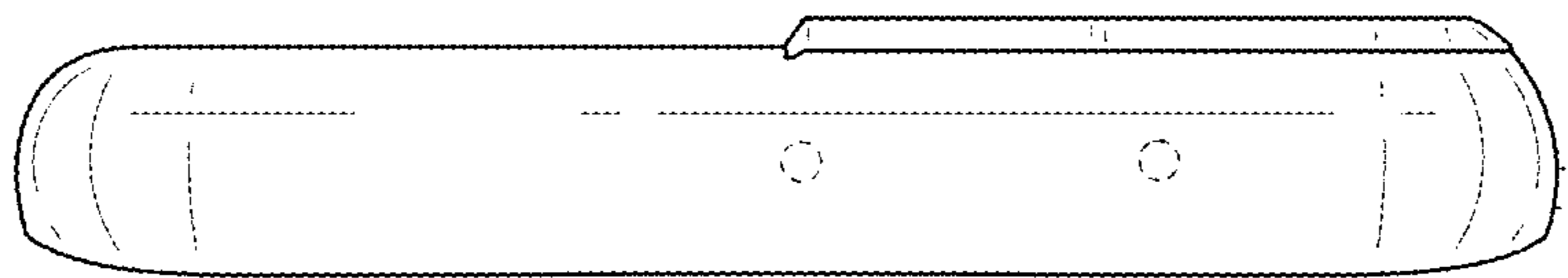


FIG. 7

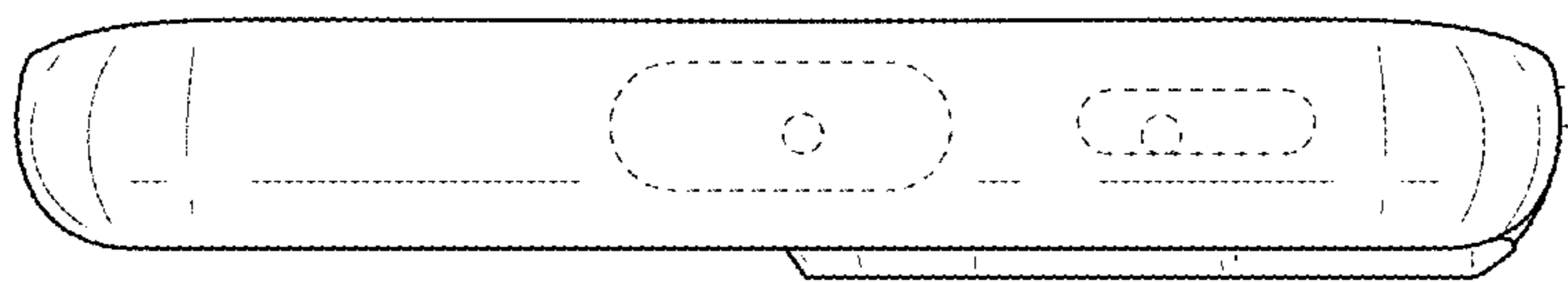


FIG. 8

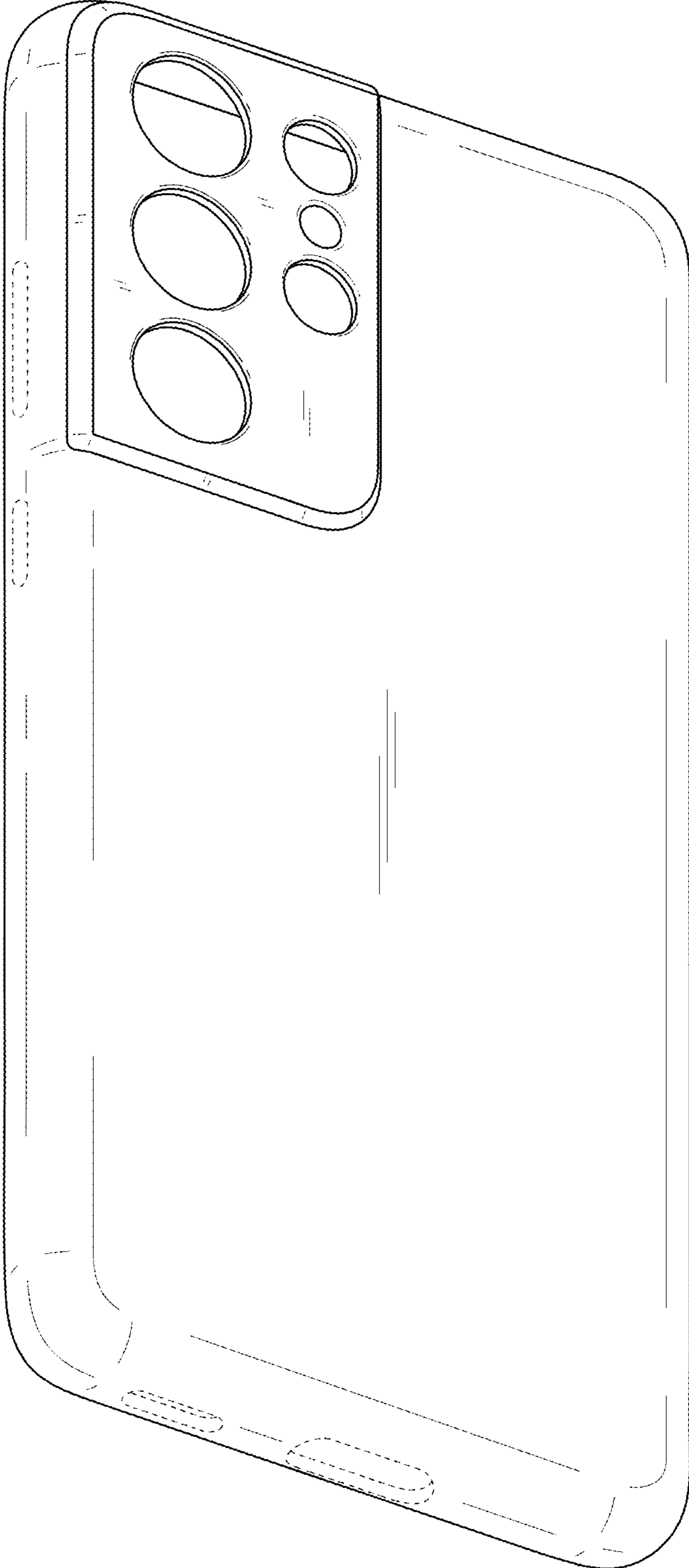


FIG. 9

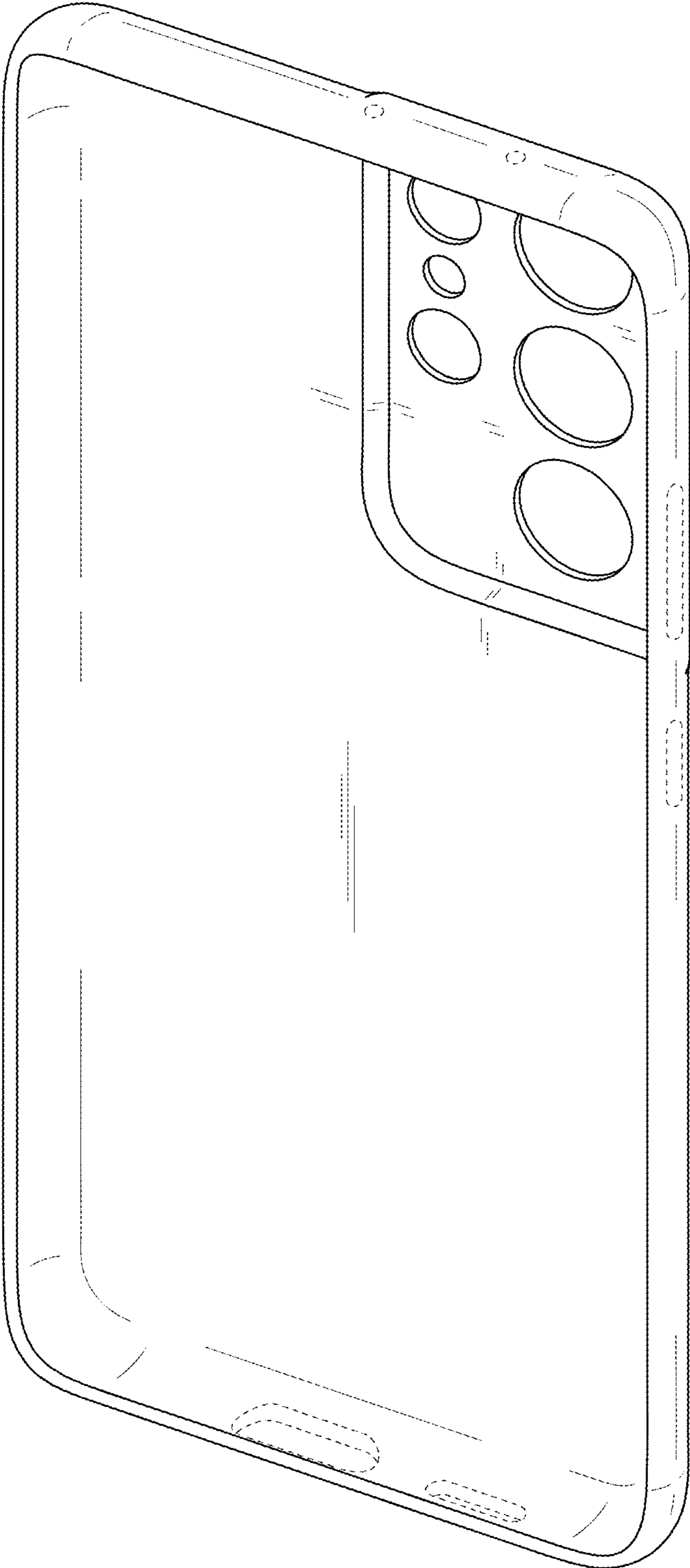


FIG. 10

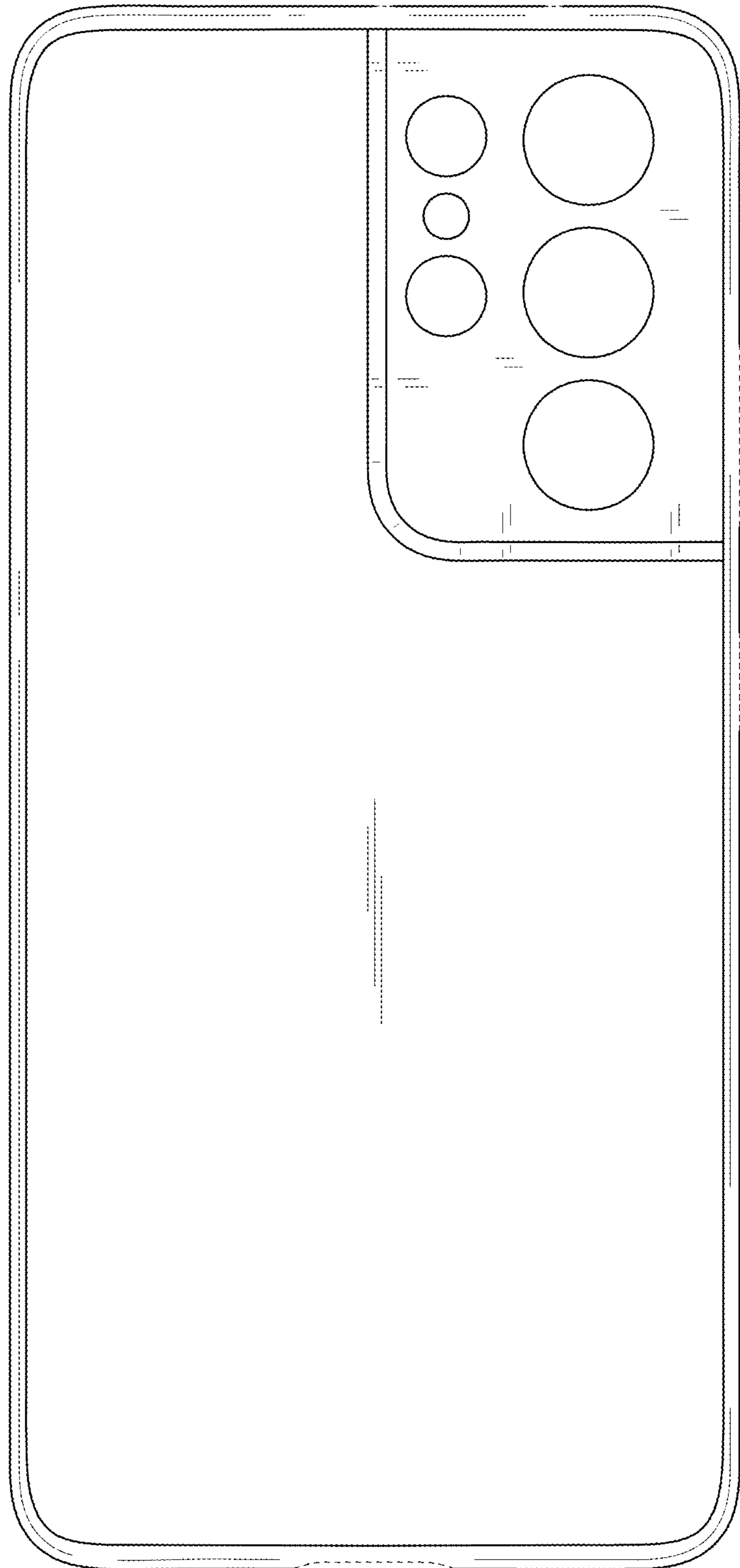


FIG. 11

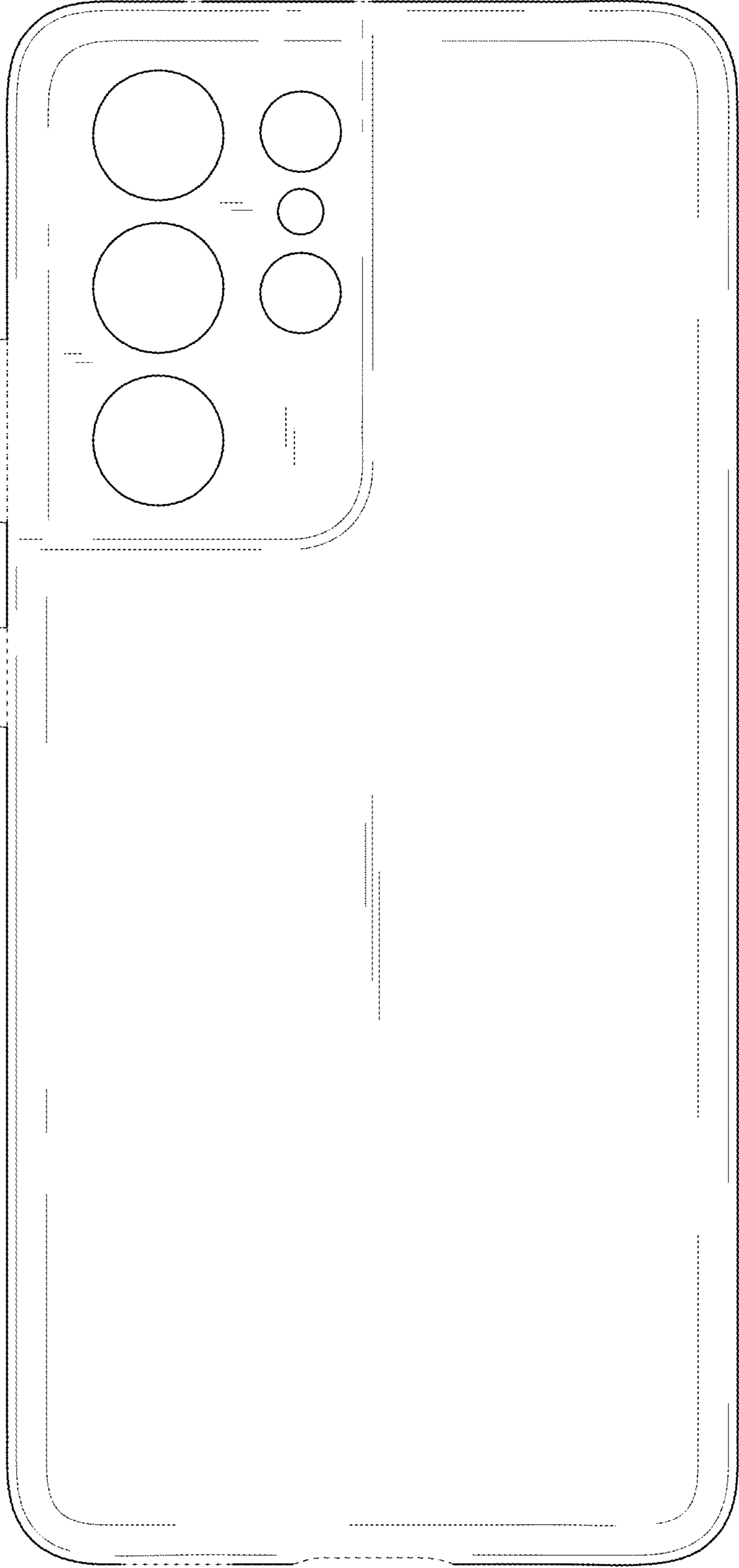


FIG. 12

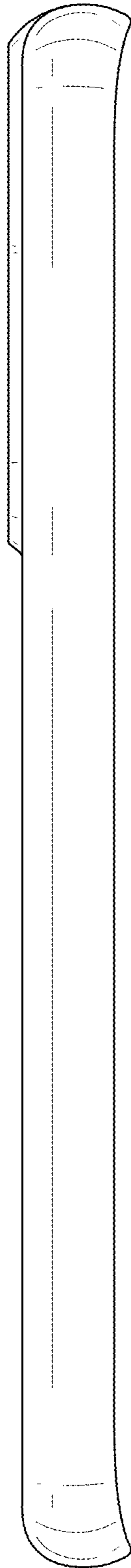


FIG. 13

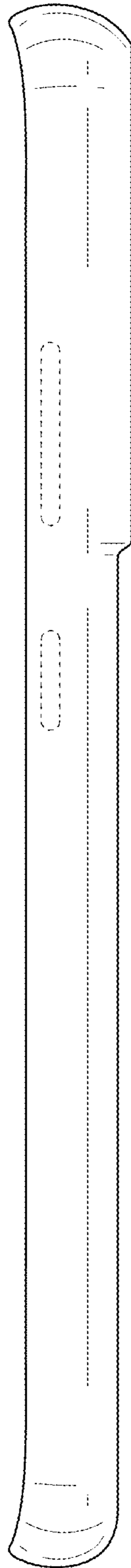


FIG. 14

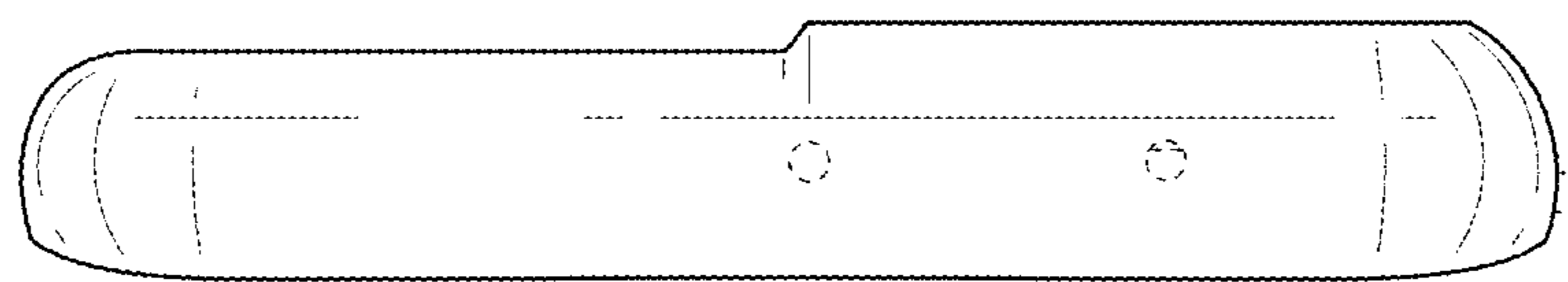


FIG. 15

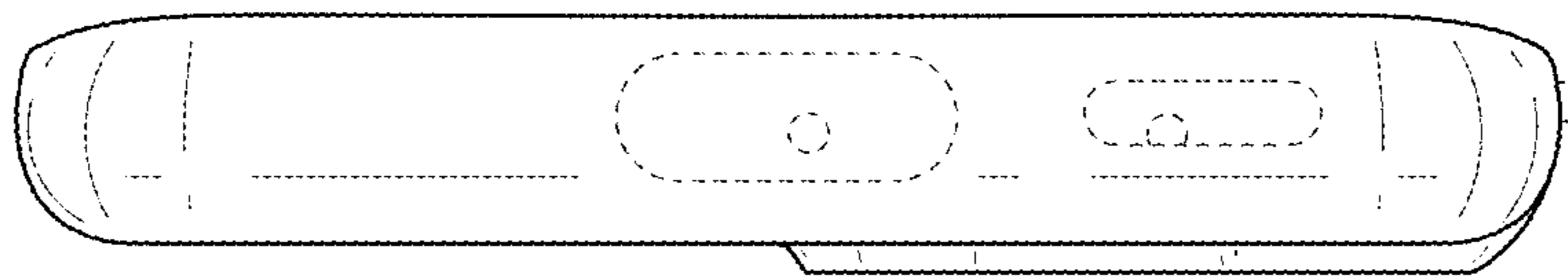


FIG. 16

