



US00D986228S

(12) **United States Design Patent** (10) **Patent No.:** **US D986,228 S**
Shaffner et al. (45) **Date of Patent:** **** May 16, 2023**

(54) **ANTENNA APPARATUS**

(71) Applicant: **Space Exploration Technologies Corp.**, Hawthorne, CA (US)
(72) Inventors: **Jackson Shaffner**, Hawthorne, CA (US); **Anthony Sims**, Hawthorne, CA (US); **Ryan Kennett**, Hawthorne, CA (US); **Michael J. Conte**, Hawthorne, CA (US); **Victor Q. Dang**, Hawthorne, CA (US); **Duncan Edwin Adams**, Hawthorne, CA (US)

(73) Assignee: **Space Exploration Technologies Corp.**, Hawthorne, CA (US)

(**) Term: **15 Years**

(21) Appl. No.: **29/720,092**

(22) Filed: **Jan. 9, 2020**

(51) **LOC (14) Cl.** **14-03**

(52) **U.S. Cl.**
USPC **D14/230**

(58) **Field of Classification Search**
USPC D14/230, 231, 155, 216
(Continued)

(56) **References Cited**

U.S. PATENT DOCUMENTS

2,831,948 A * 4/1958 Fraser H02B 1/048
174/505
D248,763 S * 8/1978 Muller D32/32
(Continued)

FOREIGN PATENT DOCUMENTS

CN 305869075 * 6/2020
CN 306040152 * 9/2020
(Continued)

OTHER PUBLICATIONS

Starlink Install, Speed Test, and Review, available in youtube.com, published on Apr. 9, 2021 [online], [site visited Feb. 10, 2022], Internet URL: <https://www.youtube.com/watch?v=JOMbJAXzGfs> (Year: 2021).*

(Continued)

Primary Examiner — Daniel J Domino

Assistant Examiner — Samina Vieth

(74) *Attorney, Agent, or Firm* — Polsinelli PC

(57) **CLAIM**

The ornamental design for an antenna apparatus, as shown and described.

DESCRIPTION

FIG. 1 is a bottom perspective view of an antenna apparatus showing an exemplary embodiment of our new design in a first configuration;

FIG. 2 is a left side view of the antenna apparatus shown in FIG. 1;

FIG. 3 is a top perspective view of the antenna apparatus of FIG. 1 shown in a second configuration;

FIG. 4 is a bottom perspective view of the antenna apparatus shown in FIG. 3;

FIG. 5 is a left view of the antenna apparatus shown in FIG. 3;

FIG. 6 is a right side view of the antenna apparatus shown in FIG. 3;

FIG. 7 is a top view of the antenna apparatus shown in FIG. 3;

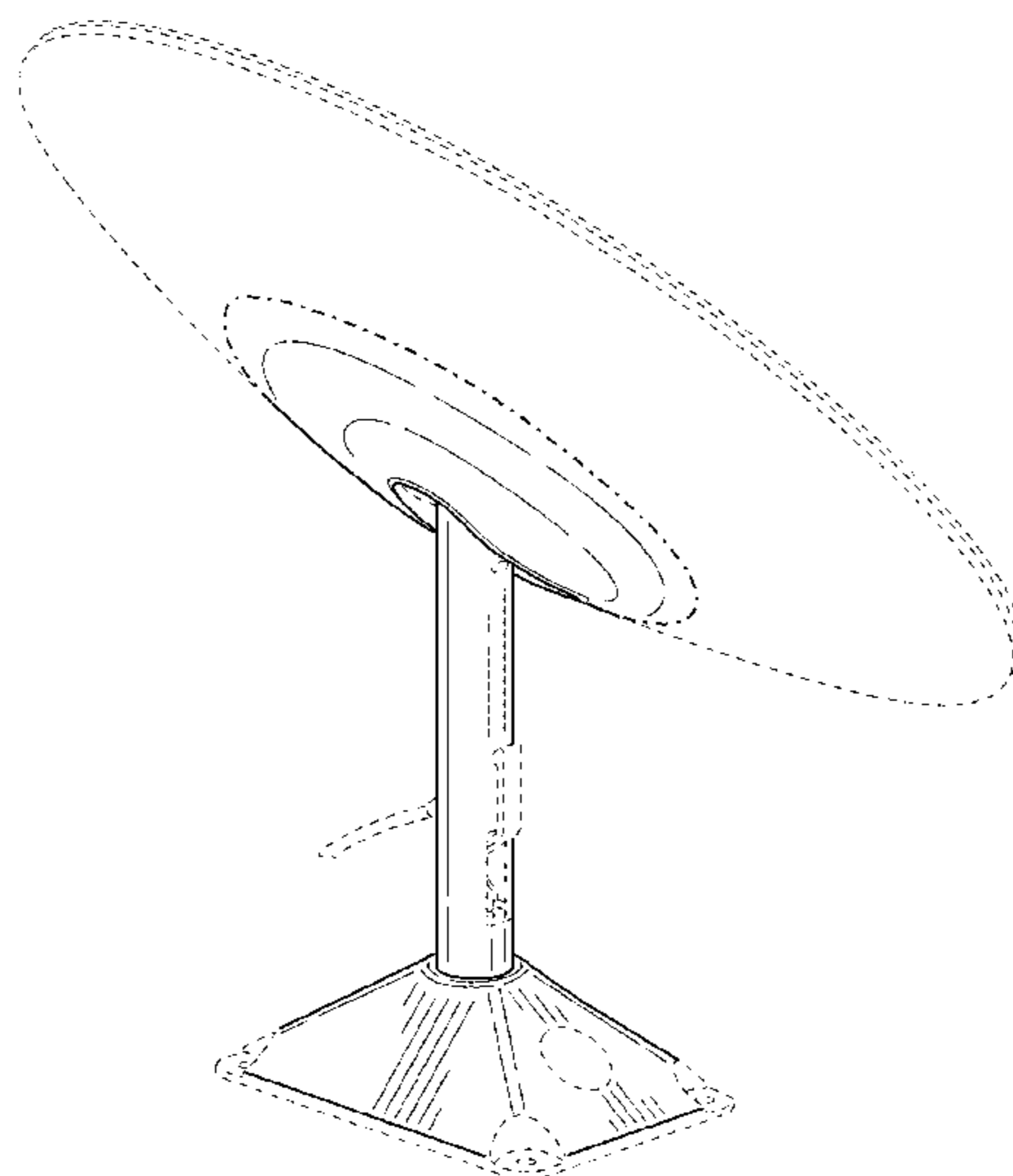
FIG. 8 is a bottom view of the antenna apparatus shown in FIG. 3;

FIG. 9 is a front view of the antenna apparatus shown in FIG. 3; and,

FIG. 10 is a rear view of the antenna apparatus shown in FIG. 3.

The broken lines shown in the figures represent portions of the antenna apparatus that form no part of the claimed design.

1 Claim, 10 Drawing Sheets



(58) **Field of Classification Search**

CPC H01Q 13/18; H01Q 19/132; H01Q 1/20;
H01Q 19/134; H01Q 19/19; H01Q 19/20;
H01Q 9/28; H01Q 1/44; H01Q 5/45;
G01S 3/56

See application file for complete search history.

D907,609 S * 1/2021 Courtney D14/230
D924,854 S * 7/2021 Zhao D14/230
D928,752 S * 8/2021 Tinaphong D14/231
D942,431 S * 2/2022 Zhao D14/230
2008/0278399 A1 * 11/2008 Nakajima H01Q 1/42
343/878
2020/0381816 A1 * 12/2020 Milroy H01Q 9/0414
2020/0381842 A1 * 12/2020 Milroy H01Q 15/144

(56) **References Cited**

U.S. PATENT DOCUMENTS

D322,254 S * 12/1991 Su D14/230
5,185,499 A * 2/1993 Yahraus H01R 31/02
174/59
5,233,356 A * 8/1993 Lee H01Q 21/22
342/368
D409,622 S * 5/1999 Inoue D14/231
5,934,509 A * 8/1999 Niss A21C 15/005
222/91
D448,717 S * 10/2001 Hanson D12/162
D452,229 S * 12/2001 Sato D14/231
6,538,605 B2 * 3/2003 Lebaric H01Q 9/36
343/702
D535,648 S * 1/2007 Miura D14/233
7,161,549 B1 * 1/2007 Cuchanski H01Q 19/19
343/781 CA
D553,615 S * 10/2007 Courtney D14/231
D585,883 S * 2/2009 Kaneko D14/230
D606,952 S * 12/2009 Lee D13/182
D696,649 S * 12/2013 Siemers D14/231
D698,765 S * 2/2014 Bremaud D14/231
D793,572 S * 8/2017 Kozuka D24/224
D803,342 S * 11/2017 Goff D22/199
D807,481 S * 1/2018 Iu D23/314
D864,172 S * 10/2019 Yang D14/230
D868,993 S * 12/2019 Isozaki D24/224
D868,995 S * 12/2019 Tanaka D24/225
D872,713 S * 1/2020 Courtney D14/230
10,797,402 B2 * 10/2020 Shmuel H01Q 15/161
D904,359 S * 12/2020 Ahn D14/231

FOREIGN PATENT DOCUMENTS

CN 306984978 * 12/2021
JP D1676649 * 1/2021
JP D1676650 * 1/2021
JP D1676651 * 1/2021
JP D1676652 * 1/2021
JP D1676653 * 1/2021

OTHER PUBLICATIONS

Wilson Outdoor Antenna Mounts, available in wilsonamplifiers.com, oldest review date Feb. 1, 2020 [online], [site visited Feb. 8, 2022], Internet URL: https://www.wilsonamplifiers.com/wilson-outdoor-antenna-mounts/?sku=WA901117&gclid=EAlalQobChMljPzPpqHz9QIVgb2GCh0eNwiWEAQYByABEgKSQPD_BwE (Year: 2020).*

Shakespeare Seawatch 15" Marine TV Antenna . . . , available in hodgesmarine.com, oldest review date Jun. 9, 2017 [online], [site visited Feb. 8, 2022], Internet URL: <https://www.hodgesmarine.com/sha3015-shakespeare-seawatchreg-15-marine-tv-antenna.html> (Year: 2017).*

Winegard 76cm Satellite Dish . . . , available in solidsignal.com, oldest review date Mar. 16, 2018 [online], [site visited Feb. 8, 2022], Internet URL: https://www.solidsignal.com/winegard-76cm-satellite-dish-antenna-w-universal-lnb-clamp-ds-2076?utm_source=google&utm_medium=cse&utm_term=DS2076&gclid=EAlalQobC (Year: 2018).*

* cited by examiner

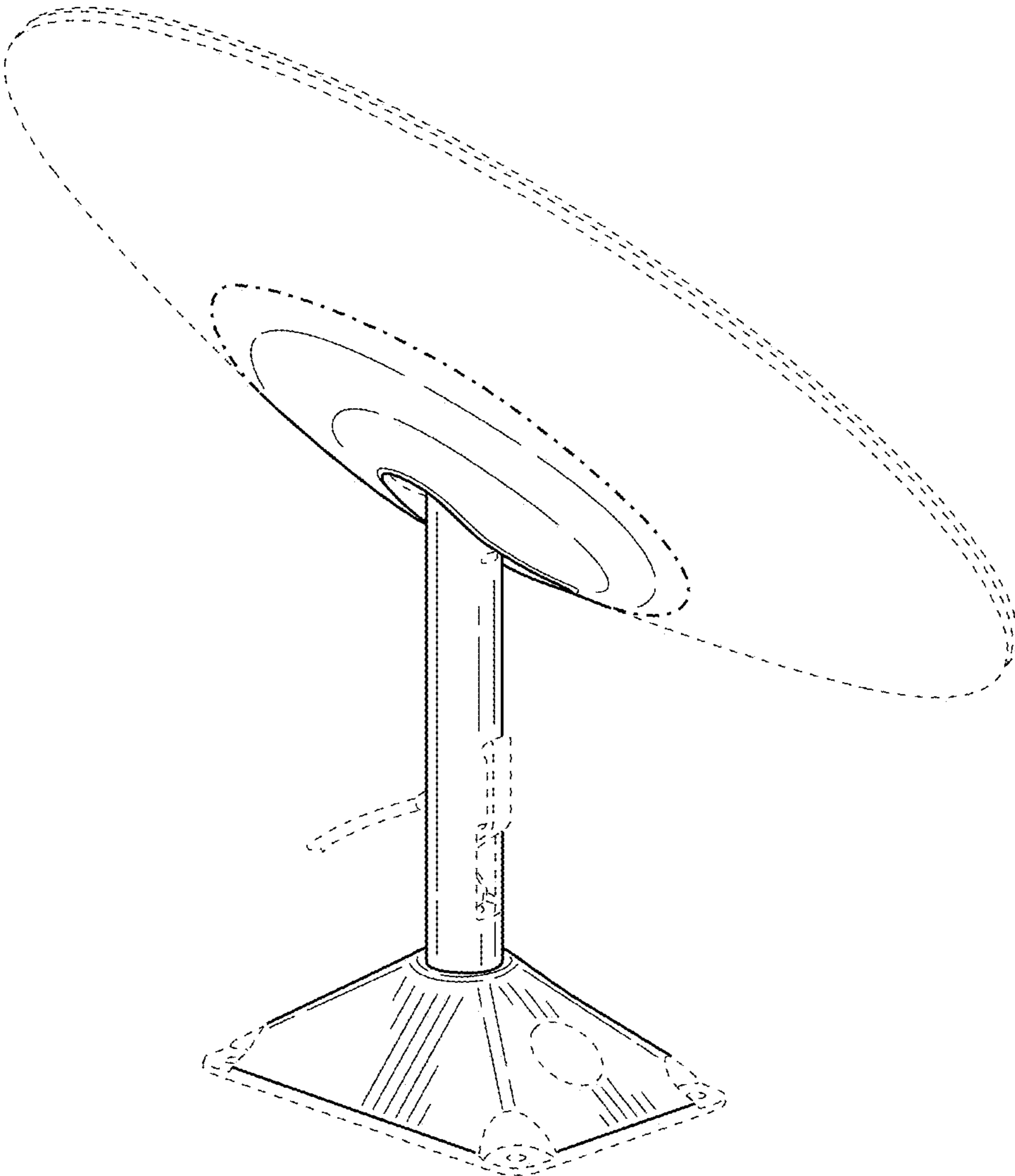


FIG. 1

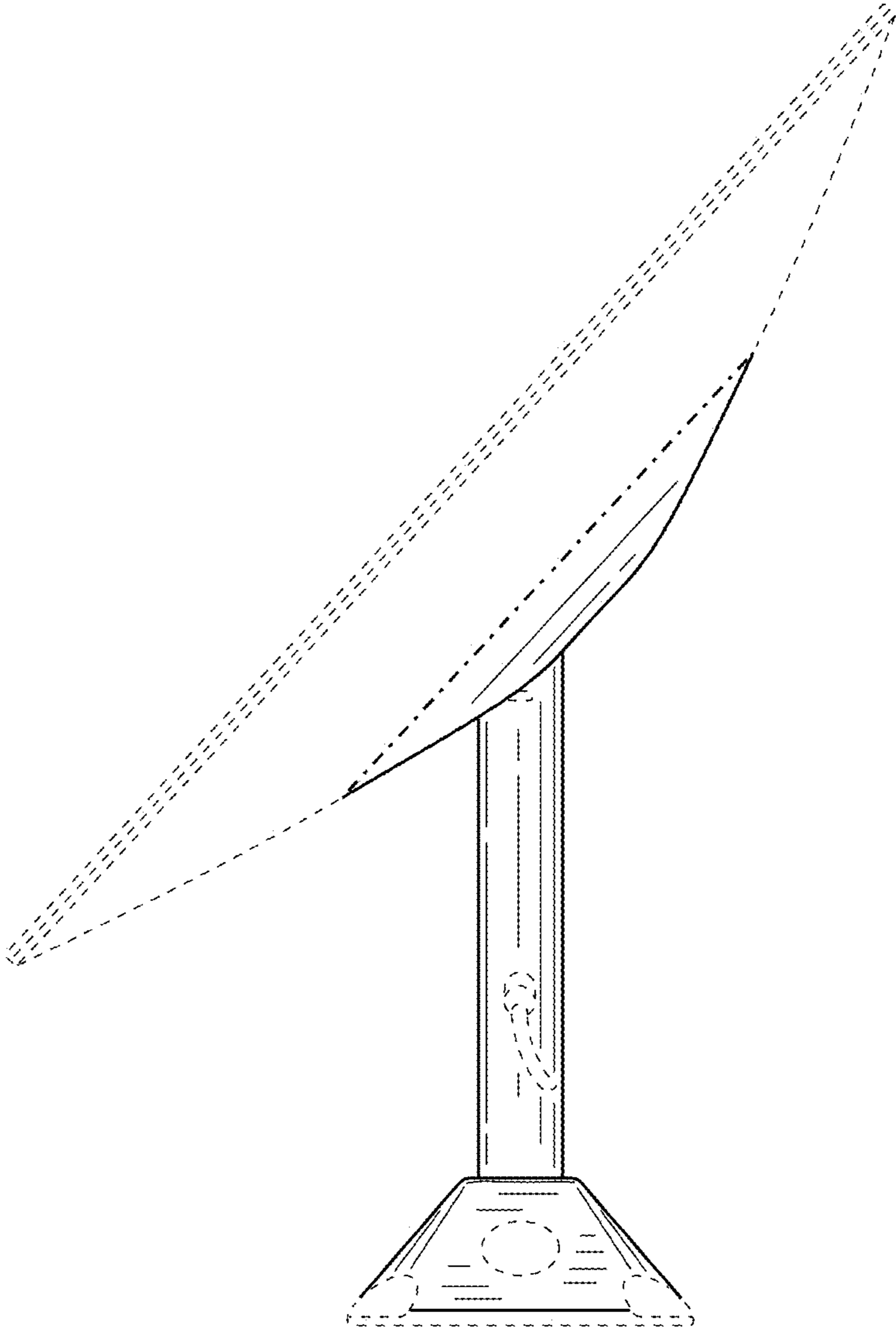


FIG. 2

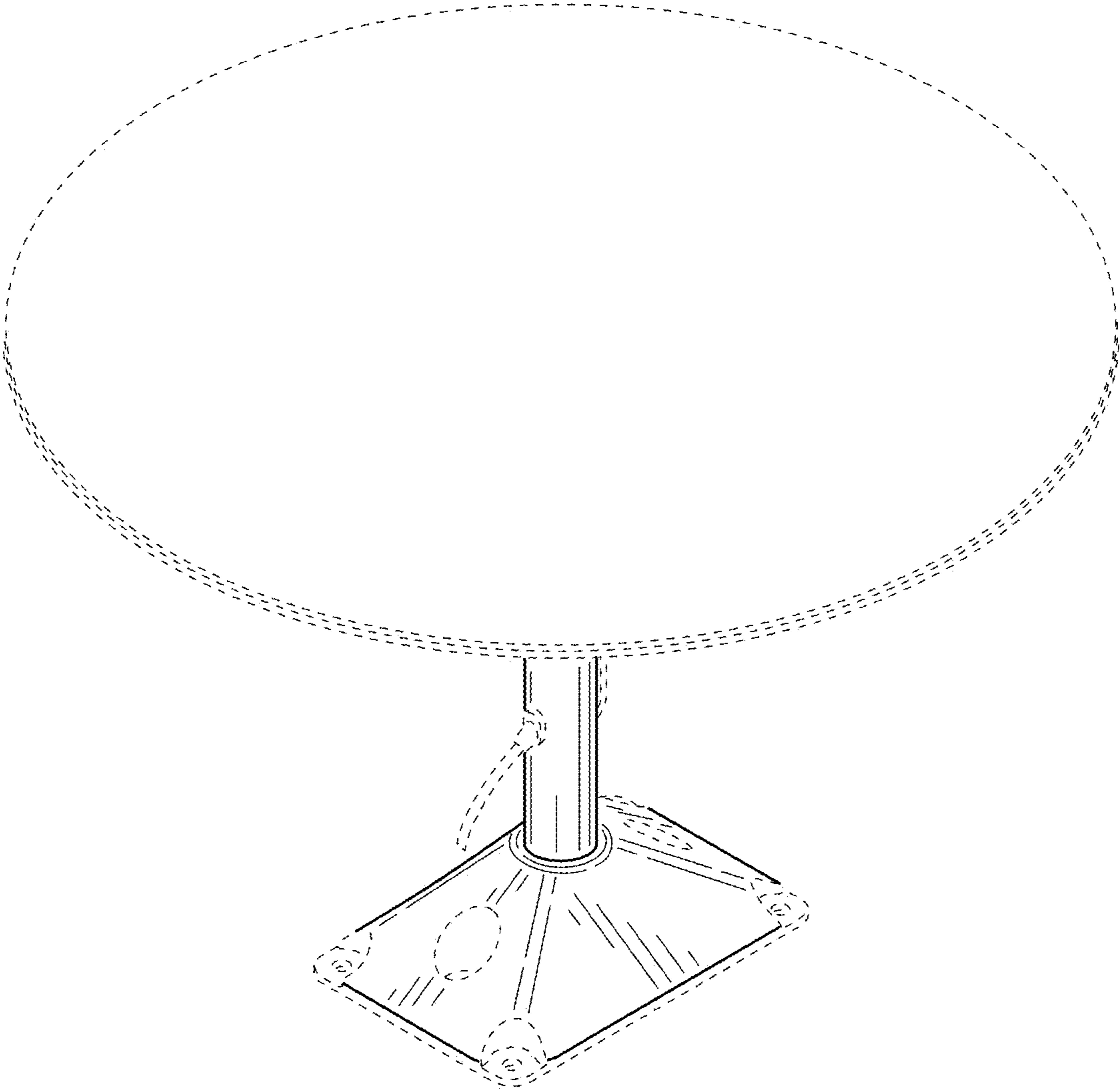


FIG. 3

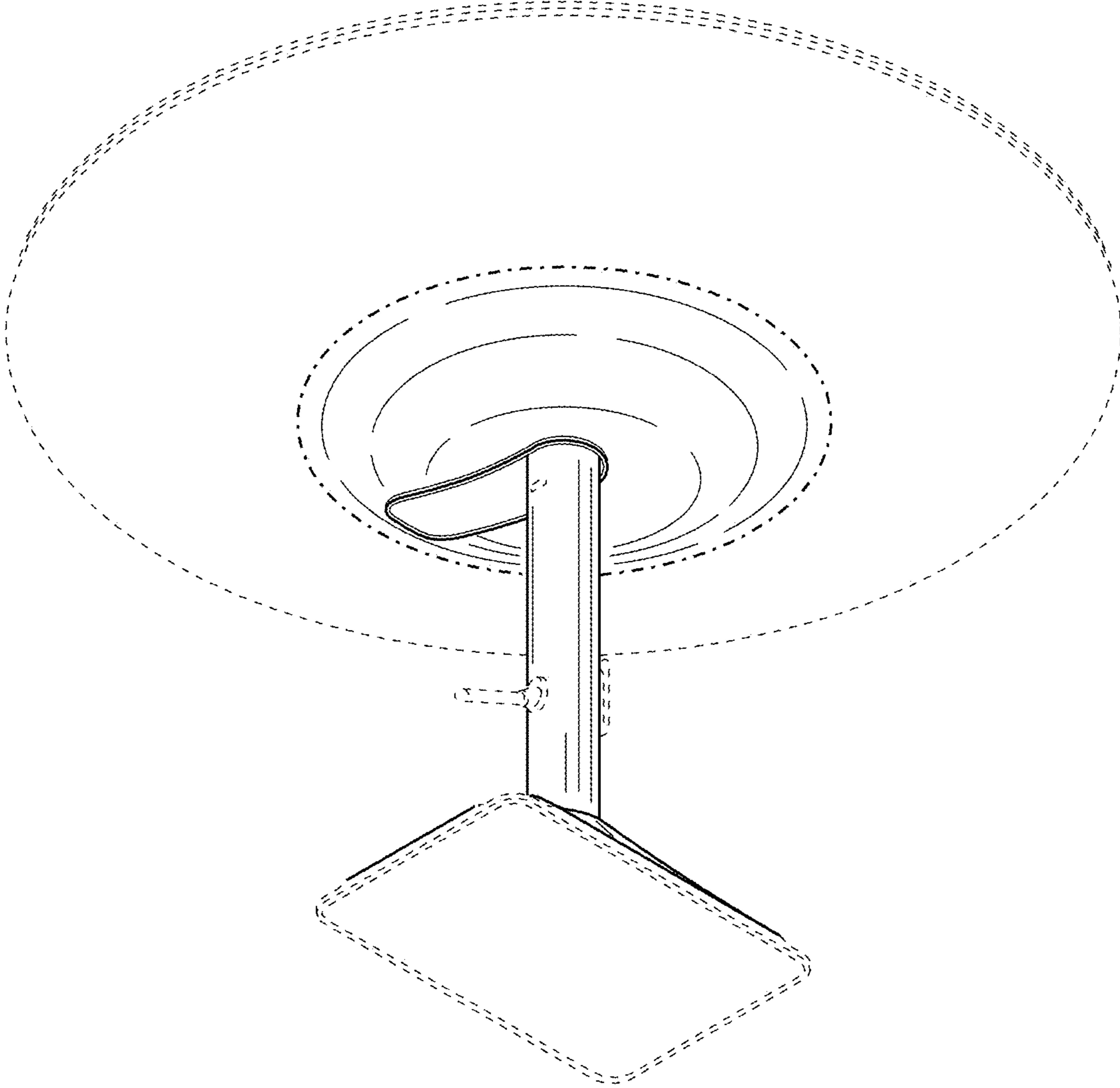


FIG. 4

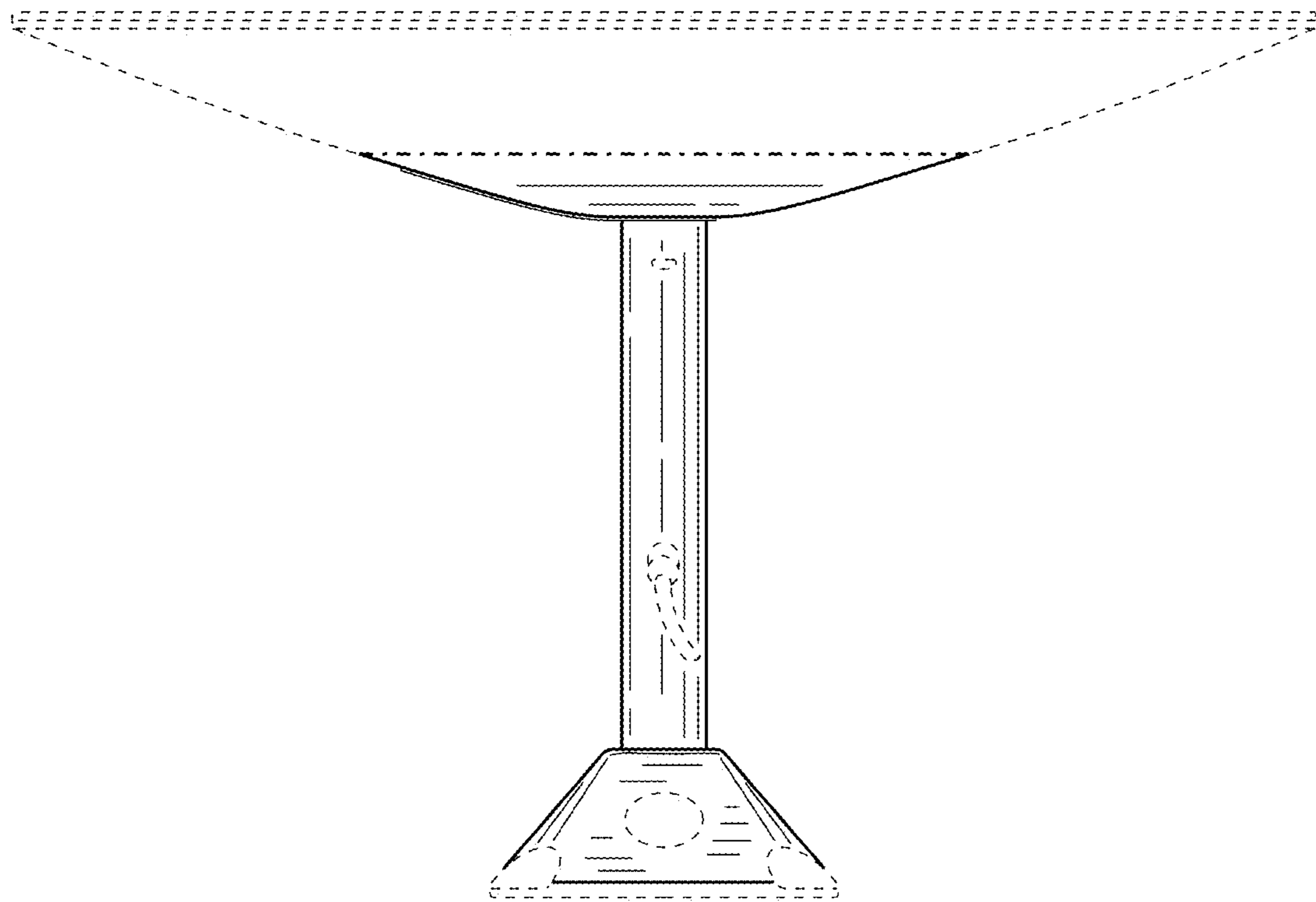


FIG. 5

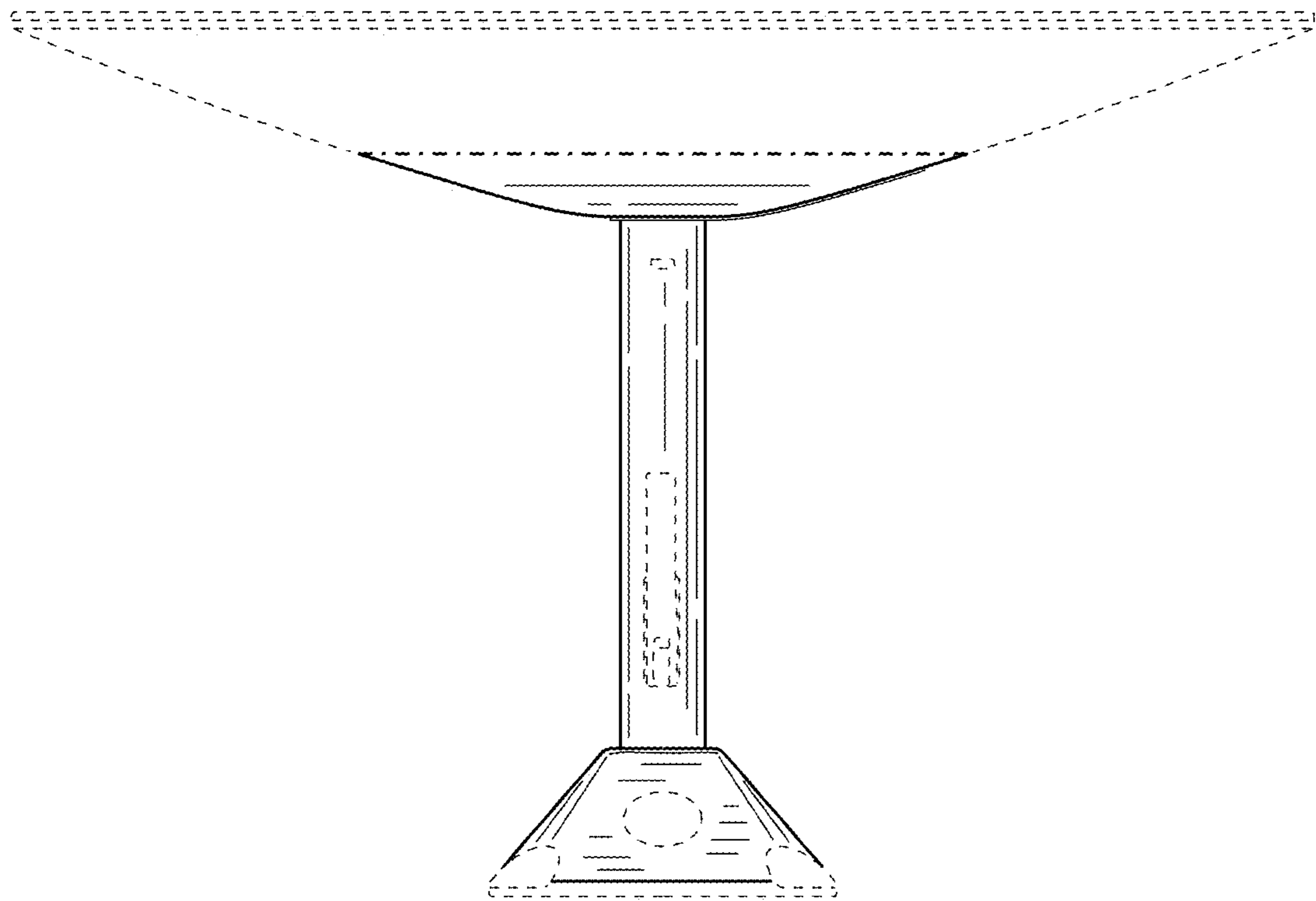


FIG. 6

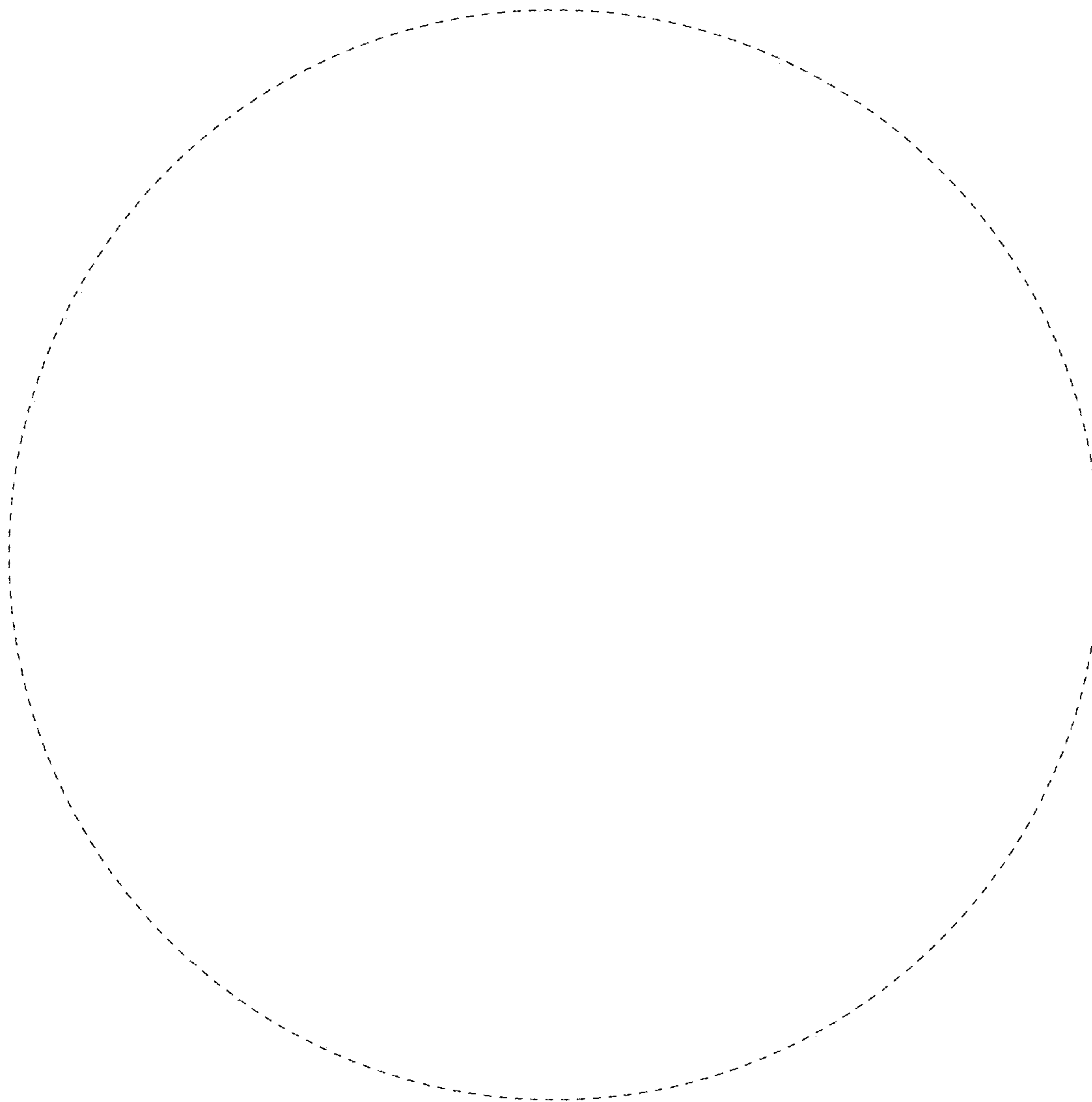


FIG. 7

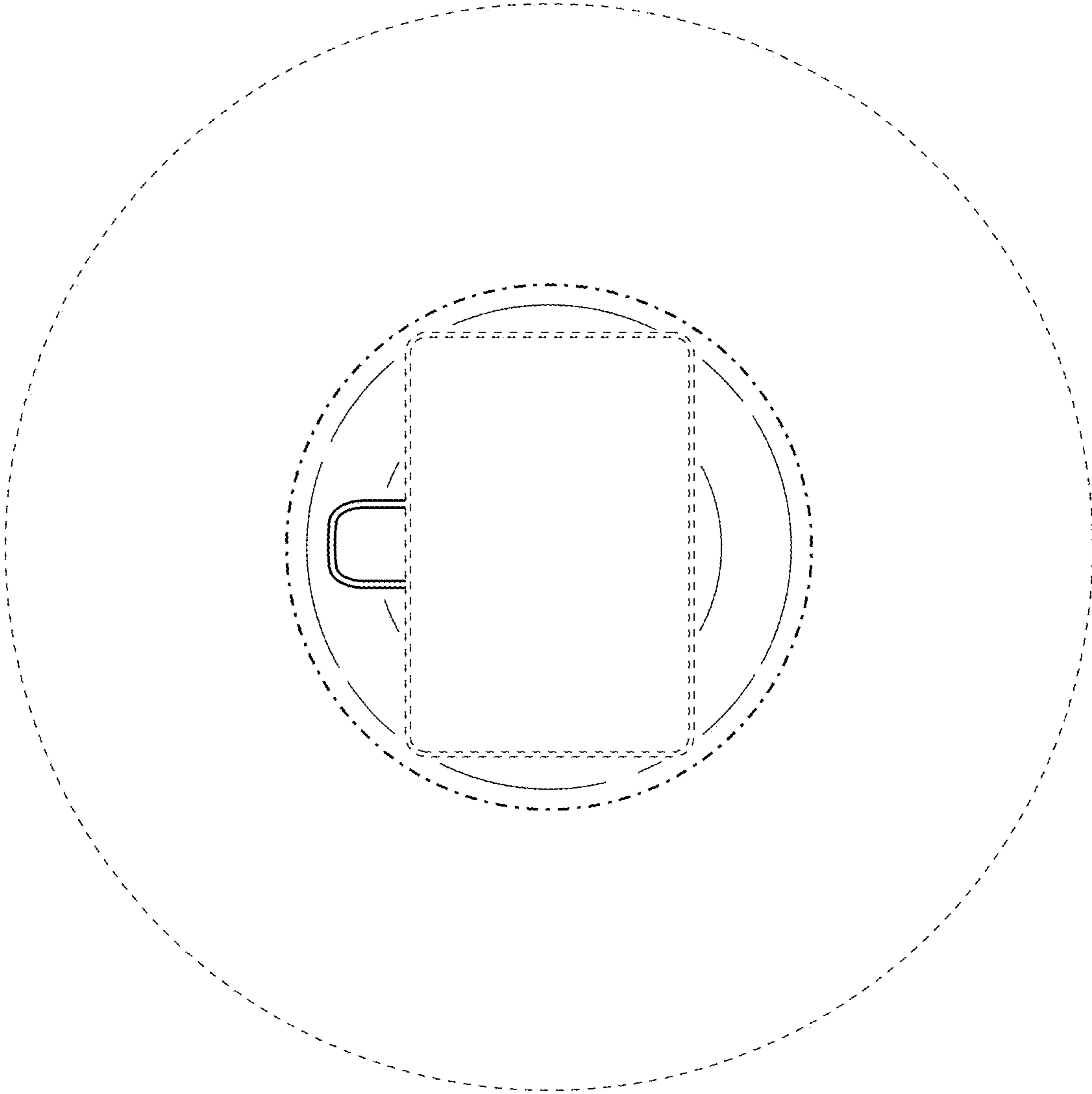


FIG. 8

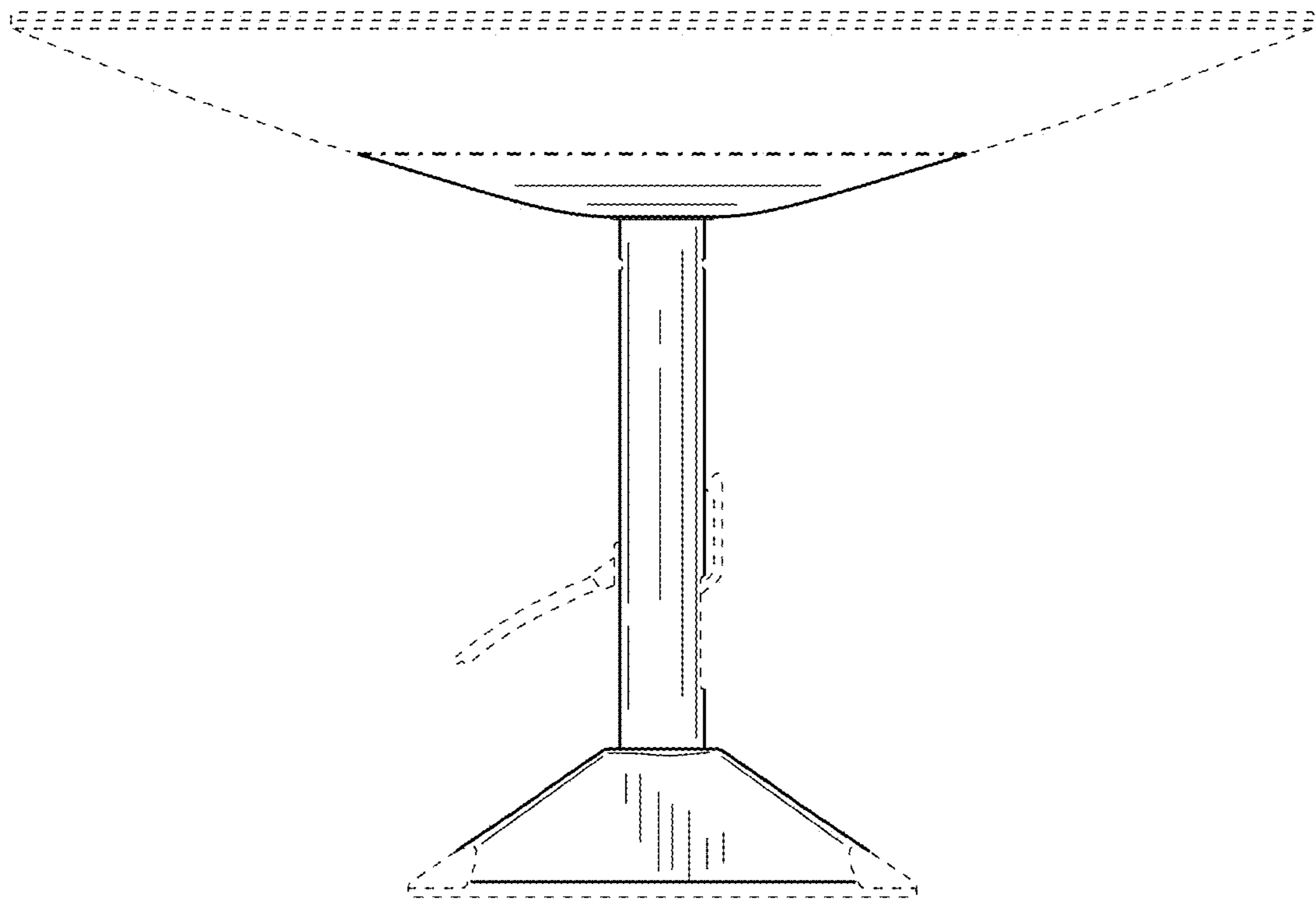


FIG. 9

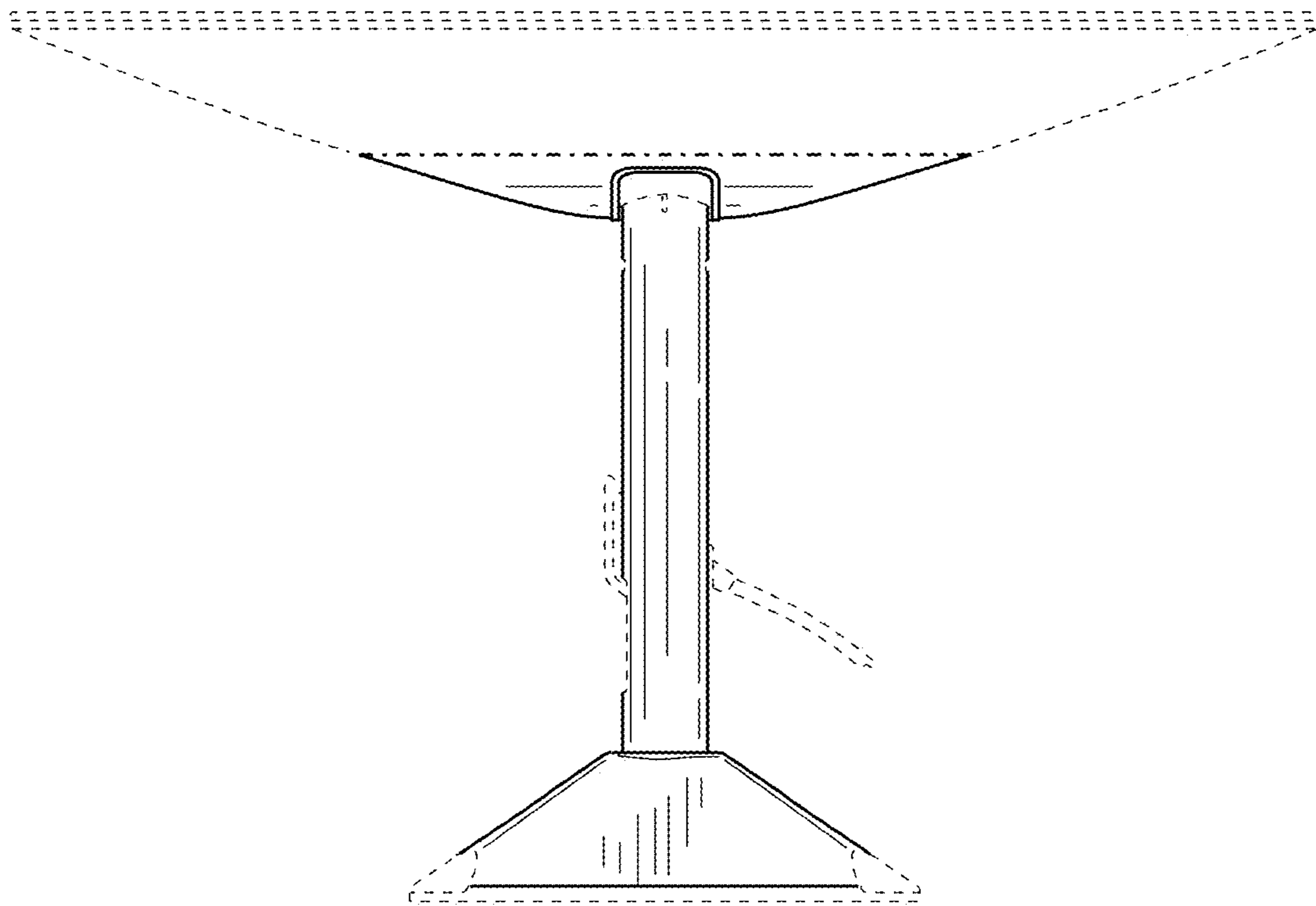


FIG. 10