



US00D986227S

(12) **United States Design Patent**
Ushijima et al.

(10) **Patent No.:** **US D986,227 S**
(45) **Date of Patent:** **** May 16, 2023**

(54) **WAVEGUIDE**

(71) Applicant: **Mitsubishi Electric Corporation**,
Tokyo (JP)
(72) Inventors: **Yu Ushijima**, Tokyo (JP); **Hidenori**
Yukawa, Tokyo (JP); **Motomi**
Watanabe, Tokyo (JP); **Toru Okagaki**,
Tokyo (JP)
(73) Assignee: **Mitsubishi Electric Corporation**,
Tokyo (JP)

(**) Term: **15 Years**
(21) Appl. No.: **29/720,070**
(22) Filed: **Jan. 9, 2020**

(30) **Foreign Application Priority Data**

Aug. 6, 2019 (JP) 2019-017499
Aug. 6, 2019 (JP) 2019-017500

(51) **LOC (14) Cl.** **14-03**
(52) **U.S. Cl.**
USPC **D14/230**

(58) **Field of Classification Search**
USPC ... D14/159, 208, 209.1, 215, 216, 217, 219,
D14/221, 222, 223, 224, 224.1, 225, 226,
(Continued)

(56) **References Cited**

U.S. PATENT DOCUMENTS

1,878,221 A * 9/1932 Wilson D03D 49/38
139/154
D302,159 S * 7/1989 Chin D14/230
(Continued)

FOREIGN PATENT DOCUMENTS

CN 305166244 * 5/2019
CN 305697766 * 4/2020
(Continued)

OTHER PUBLICATIONS

Pacifica Glossy Rectangular Opening Tissue Box Cover, announced
Oct. 8, 2020 [online], retrieved Feb. 18, 2022, retrieved from
internet, <https://www.wayfair.com/bed-bath/pdp/hospitality-source-pacifica-glossy-rectangular-opening-tissue-box-cover-htte1020.html>.
*

(Continued)

Primary Examiner — Messina L Smith

(74) *Attorney, Agent, or Firm* — Studebaker & Brackett
PC

(57) **CLAIM**

The ornamental design for a waveguide, as shown and
described.

DESCRIPTION

FIG. 1 is a perspective view of the front, left, and top sides
of a waveguide showing a first embodiment of our new
design;

FIG. 2 is a front view thereof;

FIG. 3 is a rear view thereof;

FIG. 4 is a left side view thereof;

FIG. 5 is a right side view thereof;

FIG. 6 is a top plan view thereof, a bottom view being a
mirror image thereof;

FIG. 7 is an enlarged perspective view of the waveguide
taken along lines 7-7 in FIG. 1;

FIG. 8 is an enlarged cross-sectional view of the waveguide
taken in the direction of lines 8-8 in FIGS. 2 and 6;

FIG. 9 is a perspective view of the front, left, and top sides
of a waveguide showing a second embodiment of our new
design;

FIG. 10 is a front view thereof;

FIG. 11 is a rear view thereof;

FIG. 12 is a left side view thereof;

FIG. 13 is a right side view thereof;

FIG. 14 is a top plan view thereof, a bottom view being a
mirror image thereof;

FIG. 15 is an enlarged perspective view of the waveguide
taken along lines 15-15 in FIG. 9; and,

(Continued)

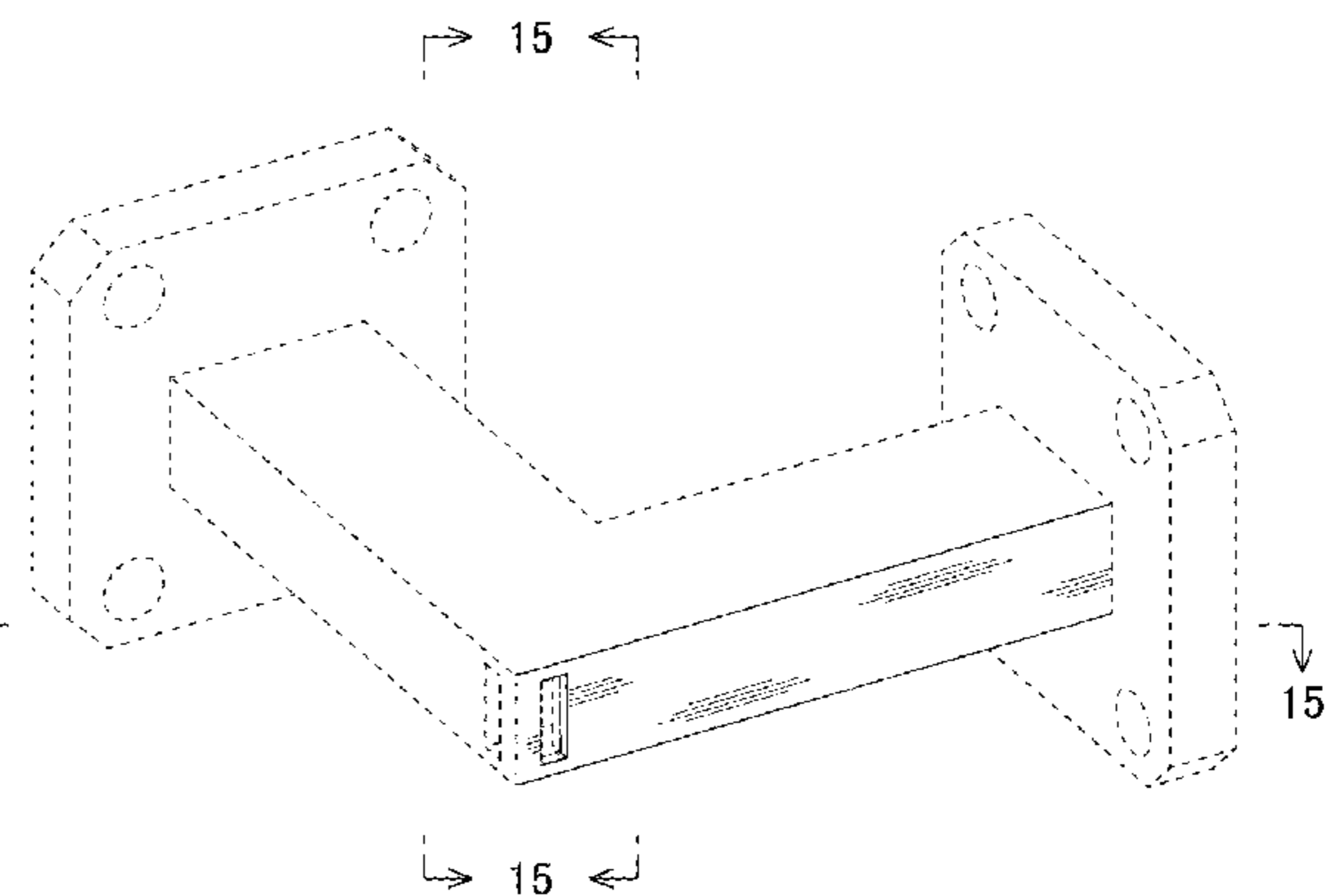
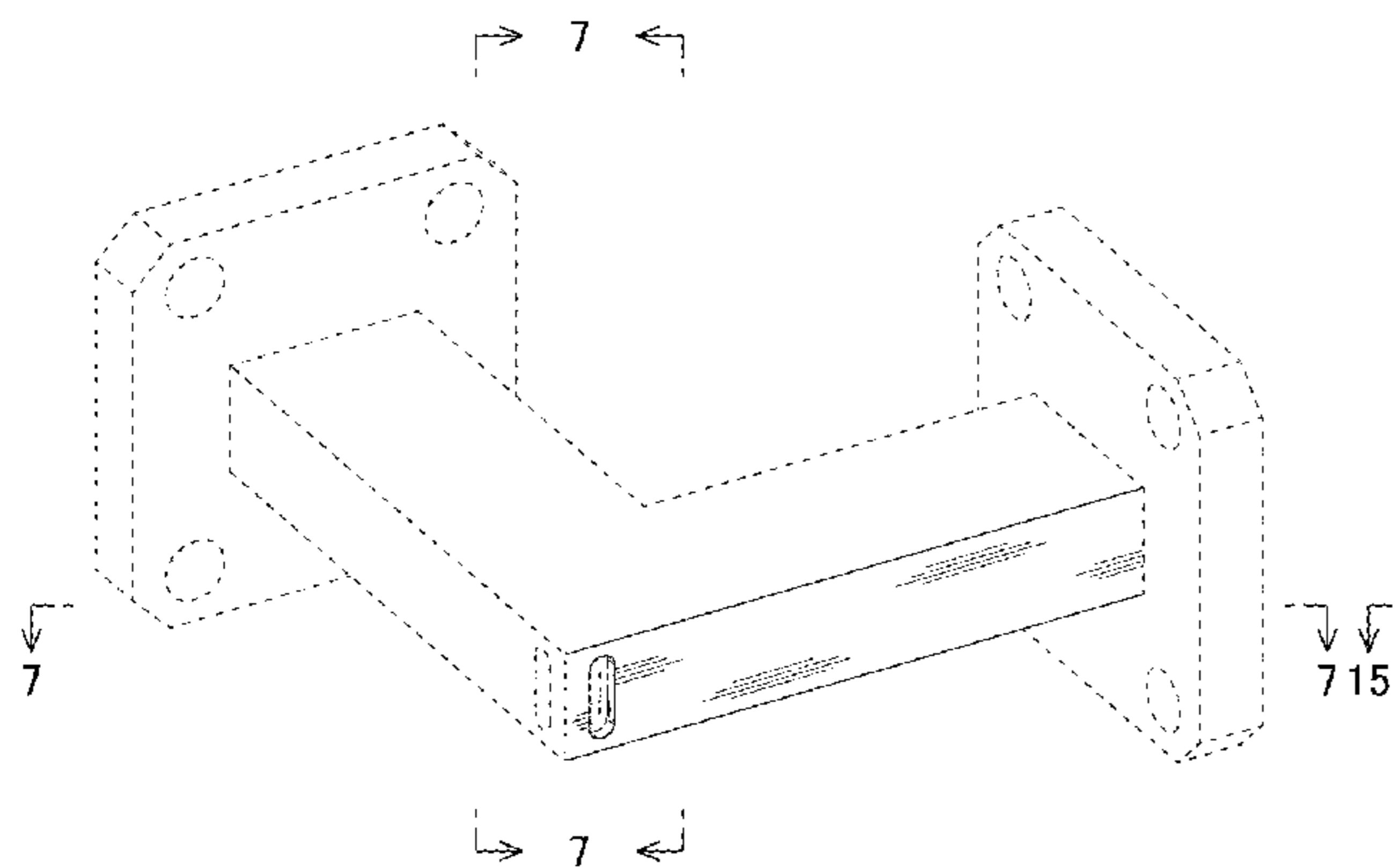


FIG. 16 is an enlarged cross-sectional view of the waveguide taken in the direction of lines 16-16 in FIGS. 10 and 14. The outer peripheral dashed broken lines in FIGS. 7, 8, 15, and 16 indicate the boundaries of the enlarged portions and form no part of the claimed design. The remaining dashed broken lines depict portions of the waveguide that form no part of the claimed design. The dash-dot broken lines depict the boundary of the claim and form no part of the claimed design.

1 Claim, 16 Drawing Sheets

(58) **Field of Classification Search**

USPC D14/228, 229, 230, 238, 344, 345, 299;
D3/201, 273, 274, 294, 295; D13/108
CPC .. A45F 3/00; A45F 3/001; A45F 3/002; A45F
3/14; A45F 3/142; A45F 3/144; A45F
3/146; A45F 3/148; H04R 2420/07; H04R
5/02; H04R 1/403; H04R 2201/028;
G06F 1/1628; G06F 1/1626; A47B
23/044

See application file for complete search history.

(56) **References Cited**

U.S. PATENT DOCUMENTS

D591,265	S	*	4/2009	Fujiwara	D14/215
D592,196	S	*	5/2009	Kahn	D14/237
D594,849	S	*	6/2009	Ko	D3/218
D597,055	S	*	7/2009	Ladouceur	D14/345
D597,081	S	*	7/2009	Andre	D14/217
D619,567	S	*	7/2010	Kwon	D14/223
D644,629	S	*	9/2011	Chen	D14/215
D654,064	S	*	2/2012	Sergi	D14/238
D679,679	S	*	4/2013	Paslawski	D14/215
D689,039	S	*	9/2013	Liu	D14/203.8
D691,588	S	*	10/2013	Plattard	D14/217
D712,369	S	*	9/2014	Yoshida	D14/142
D716,771	S	*	11/2014	Burgett	D14/223
D721,349	S	*	1/2015	Sugai	D14/159
D726,690	S	*	4/2015	Andre	D14/217
D728,532	S	*	5/2015	Kurtz	D14/223
D735,170	S	*	7/2015	Colvin	D14/224
D736,180	S	*	8/2015	Paslawski	D14/215
D736,738	S	*	8/2015	Larson	D14/159
D736,746	S	*	8/2015	Cheng	D14/221
D738,357	S	*	9/2015	Khairudin	D14/226
D742,856	S	*	11/2015	Skjoldborg	D14/217
D759,623	S	*	6/2016	Dahlberg	D14/344
D761,762	S	*	7/2016	Andrews	D14/221
D763,823	S	*	8/2016	Holzer	D14/209.1
D765,620	S	*	9/2016	Kitamura	D14/217
D768,112	S	*	10/2016	Azhari	D14/215
D779,989	S	*	2/2017	Lee	D10/70
D786,215	S	*	5/2017	Bousquet	D14/159
D795,223	S	*	8/2017	Carr	D14/223
9,733,669	B1	*	8/2017	Scales	G06F 1/1633
D824,024	S	*	7/2018	Eaton	D16/242
D831,014	S	*	10/2018	Delibie	D14/242
D847,123	S	*	4/2019	Ito	D14/217
D872,717	S	*	1/2020	Lens	D14/230

D921,620	S	*	6/2021	Borst	D14/238
D924,212	S	*	7/2021	Dawson	D14/238
D930,625	S	*	9/2021	Lee	D14/209
D932,499	S	*	10/2021	Lu	D14/452
2002/0039277	A1	*	4/2002	Zhou	G06F 1/185 361/825
2004/0198444	A1	*	10/2004	Chen	H04M 1/0274 455/90.1
2005/0070169	A1	*	3/2005	Chen	H01R 13/2421 439/700
2006/0052012	A1	*	3/2006	Chen	G06F 1/181 439/719
2011/0157801	A1	*	6/2011	Satterfield	G06F 1/1632 361/679.01
2013/0102164	A1	*	4/2013	Sip	H01R 13/642 439/38
2015/0108948	A1	*	4/2015	Gulick, Jr.	G06F 21/88 320/115
2019/0214836	A1	*	7/2019	Viveros	H02J 7/0044

FOREIGN PATENT DOCUMENTS

CN	306721532	*	7/2021
CN	306871206	*	10/2021
JP	D1630661	*	4/2019

OTHER PUBLICATIONS

Waveguide—The American Machinist, announced May 1, 2020 [online], retrieved Feb. 18, 2022, retrieved from internet, <https://www.megaind.com/what-is-waveguide/>.*

WR-28 Millimeter Waveguide E-Bend, announced © 2022 [online], retrieved Feb. 18, 2022, retrieved from internet, <https://www.hasco-inc.com/waveguide-components/wr-28-millimeter-waveguide-e-bend-2-5-inch-section-26-5-ghz-to-40-ghz/>.*

2.3 Offy C Type “Oval” Port Intake Manifold, no announcement date [online], retrieved Feb. 18, 2022, retrieved from internet, <https://racerwalsh.com/product/racer-walsh-offy-c-type-intake-manifold-for-2-3l-ohc-ford/>.*

Bulking Wood Tissue Box Cover, announced Sep. 20, 2020 [online], retrieved Feb. 18, 2022, retrieved from internet, <https://www.amazon.com/Bulking-Disposable-Rectangular-Bathroom-Countertop/dp/B08C9V561L>.*

Knockout Tools & Punches, announced Oct. 23, 2015, 2:09 [online], retrieved Feb. 18, 2022, retrieved from internet, <https://youtu.be/AIJd4KiizDQ>.*

TEMCo Industrial TH0304 Rectangle, announced Oct. 1, 2015 [online], retrieved Feb. 18, 2022, retrieved from internet, <https://www.amazon.com/Rectangle-22-5mm-Panel-Meter-Punch/dp/B06W2K59JJ>.*

Pcs Hydraulic Oval Hole Punch Die , announced Dec. 23, 2019 [online], retrieved Feb. 18, 2022, retrieved from internet, <https://www.amazon.com/Hydraulic-Punch-Punching-Machine-13x20mm/dp/B08313D5YG>.*

What is USB-C?, announced Aug. 22, 2018 [online], retrieved Feb. 18, 2022, retrieved from internet, <https://www.hp.com/us-en/shop/tech-takes/what-is-usb-c>.*

Ways To Fix MacBook Battery Not Charging Issue, announced Mar. 16, 2017 [online], retrieved Feb. 18, 2022, retrieved from internet, <https://notebookrepair.sg/how-to-fix-macbook-battery-not-charging-issue/>.*

* cited by examiner

FIG. 1

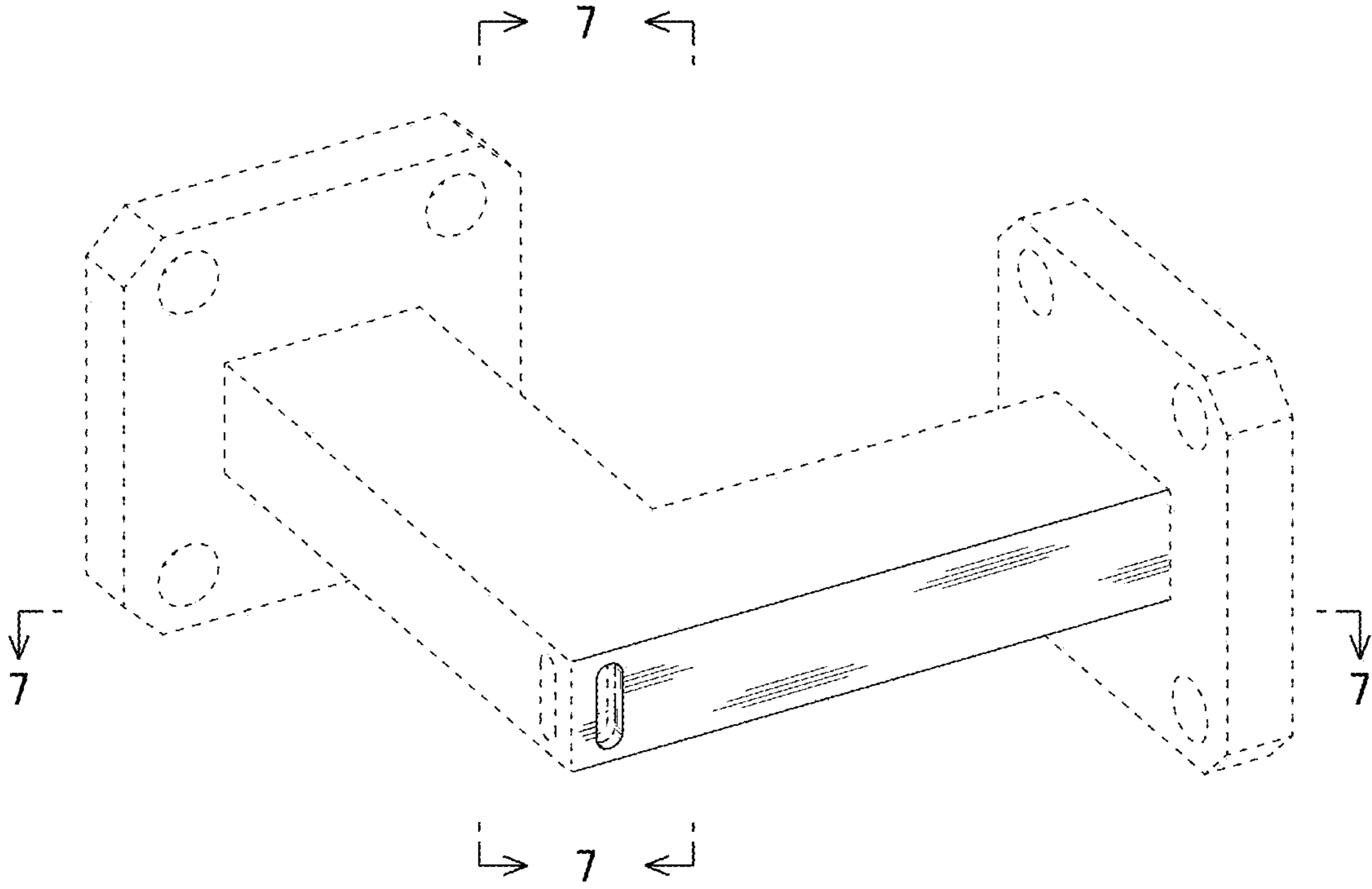


FIG. 2

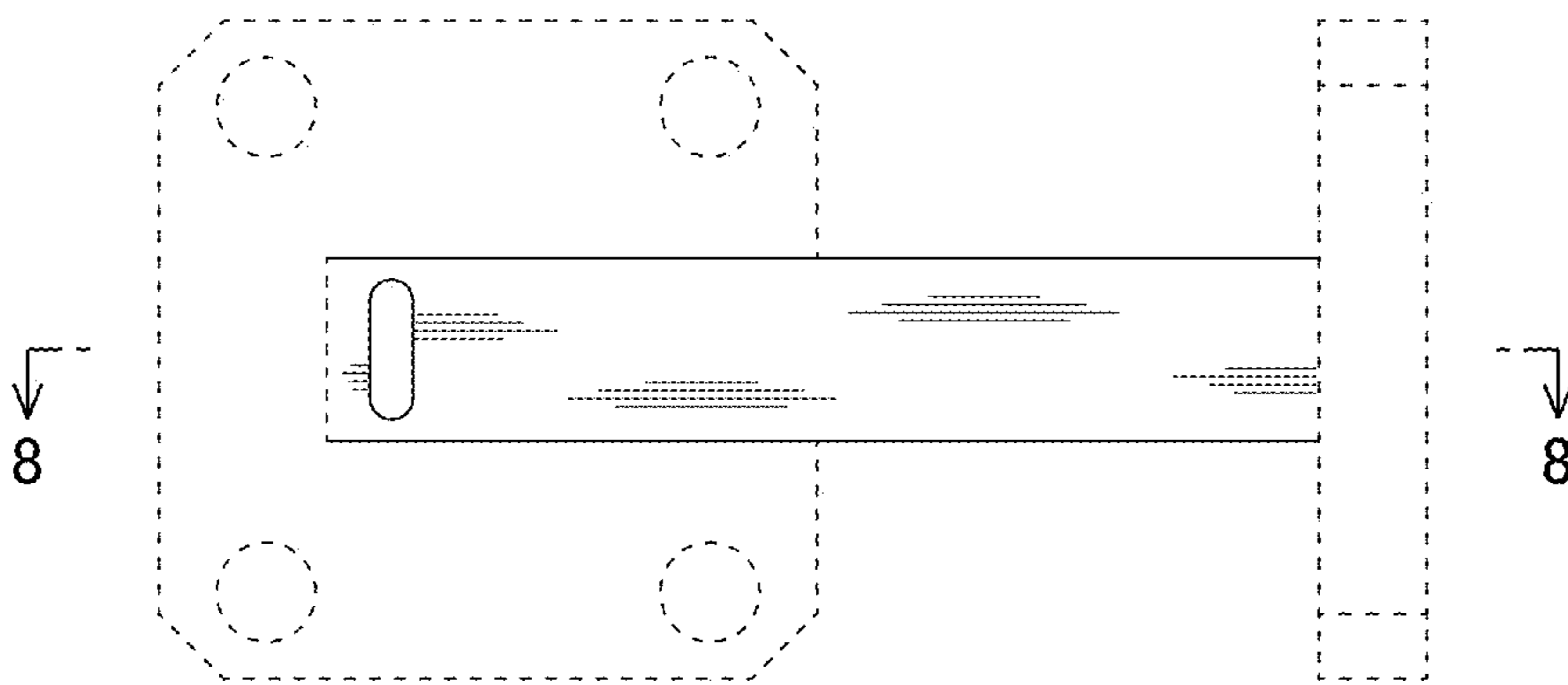


FIG. 3

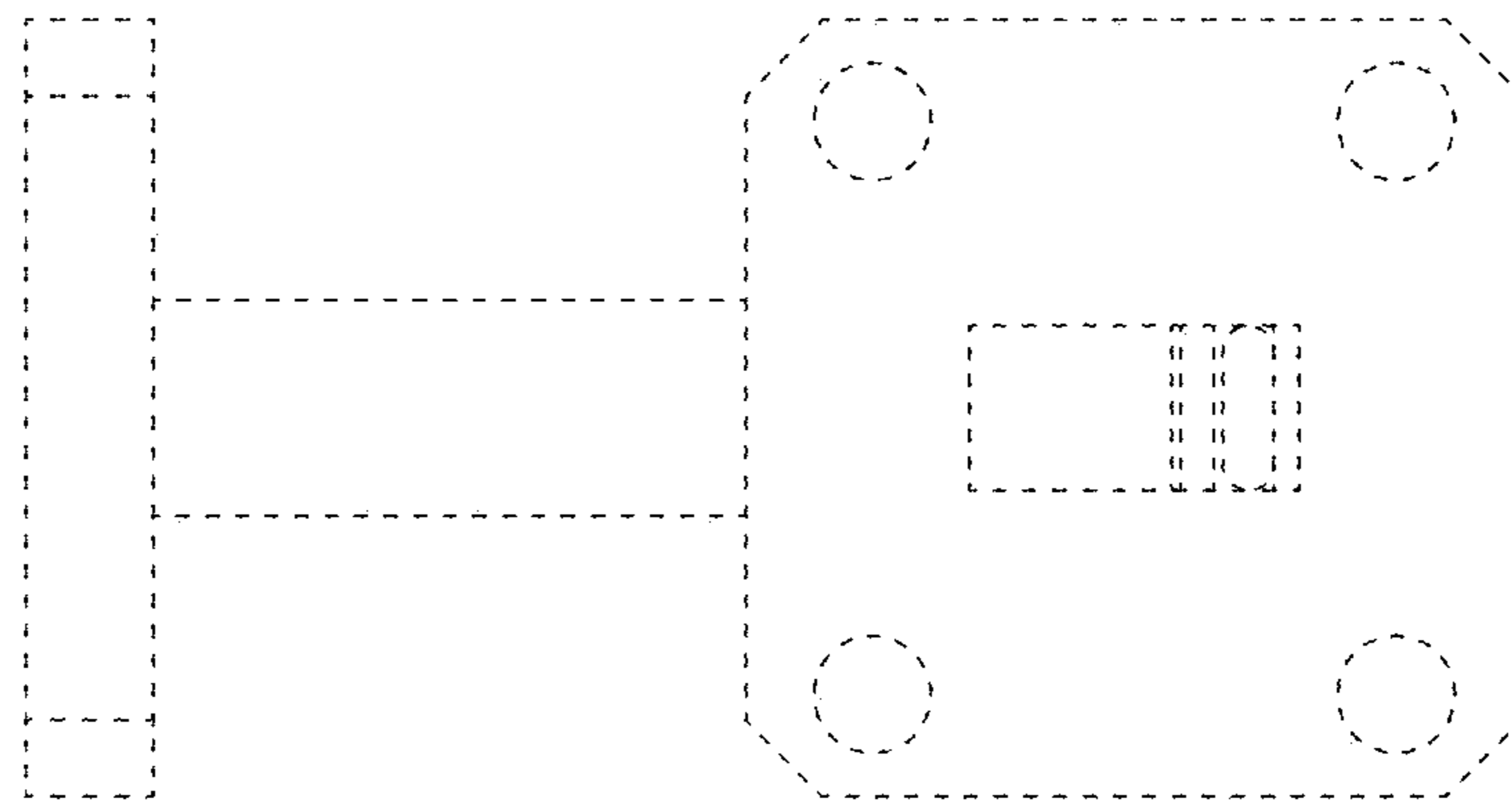


FIG. 4

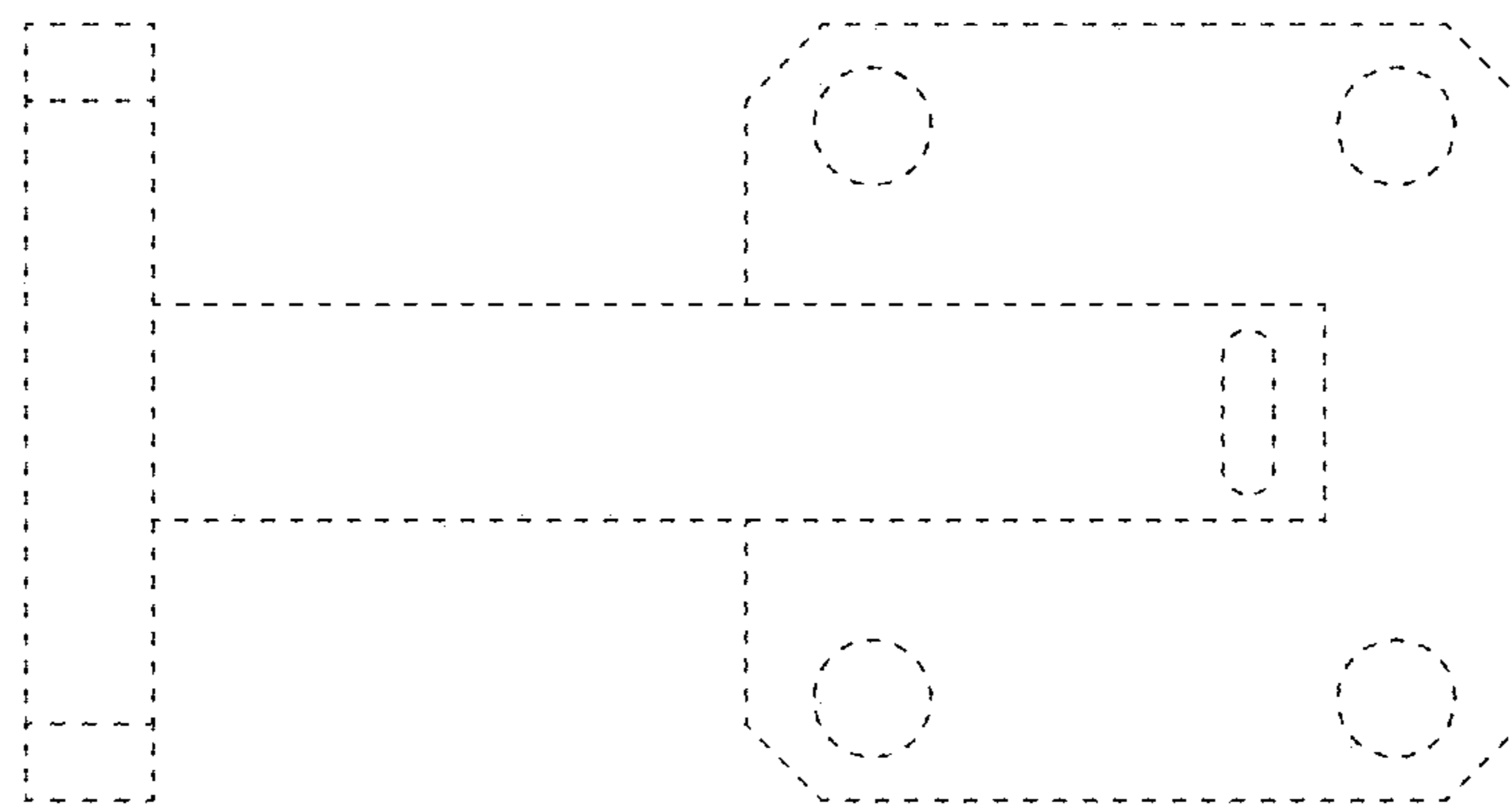


FIG. 5

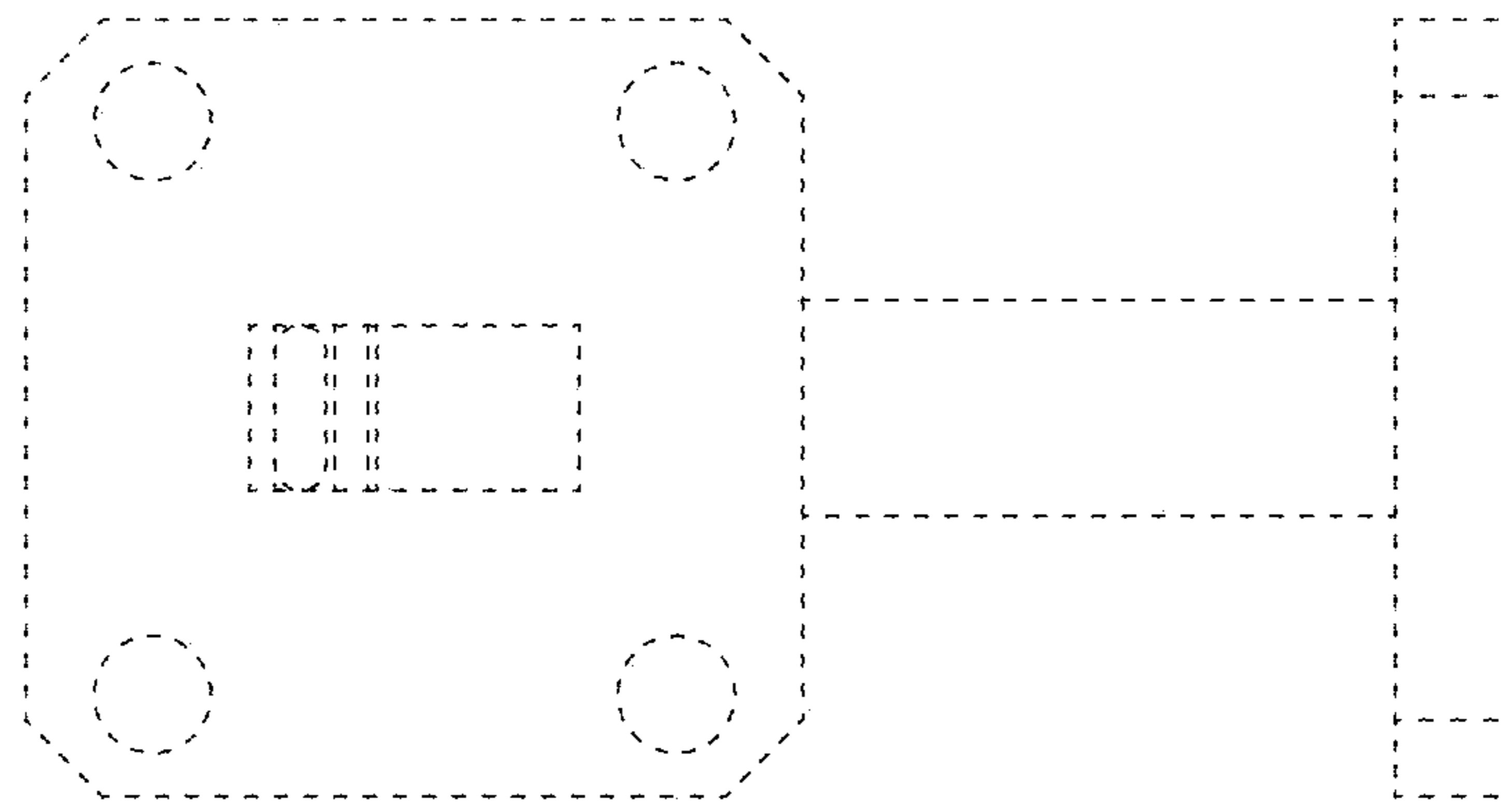


FIG. 6

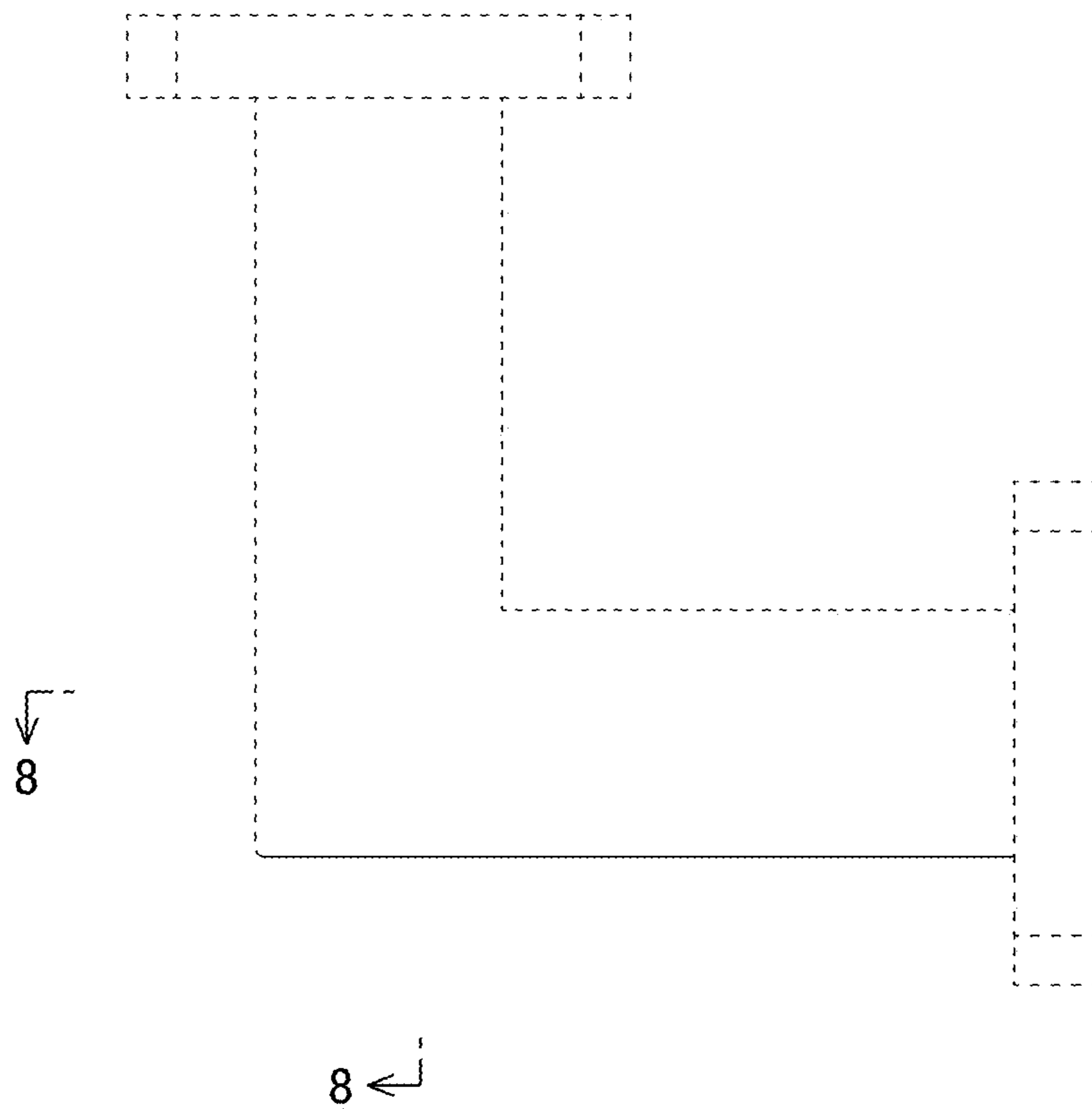


FIG. 7

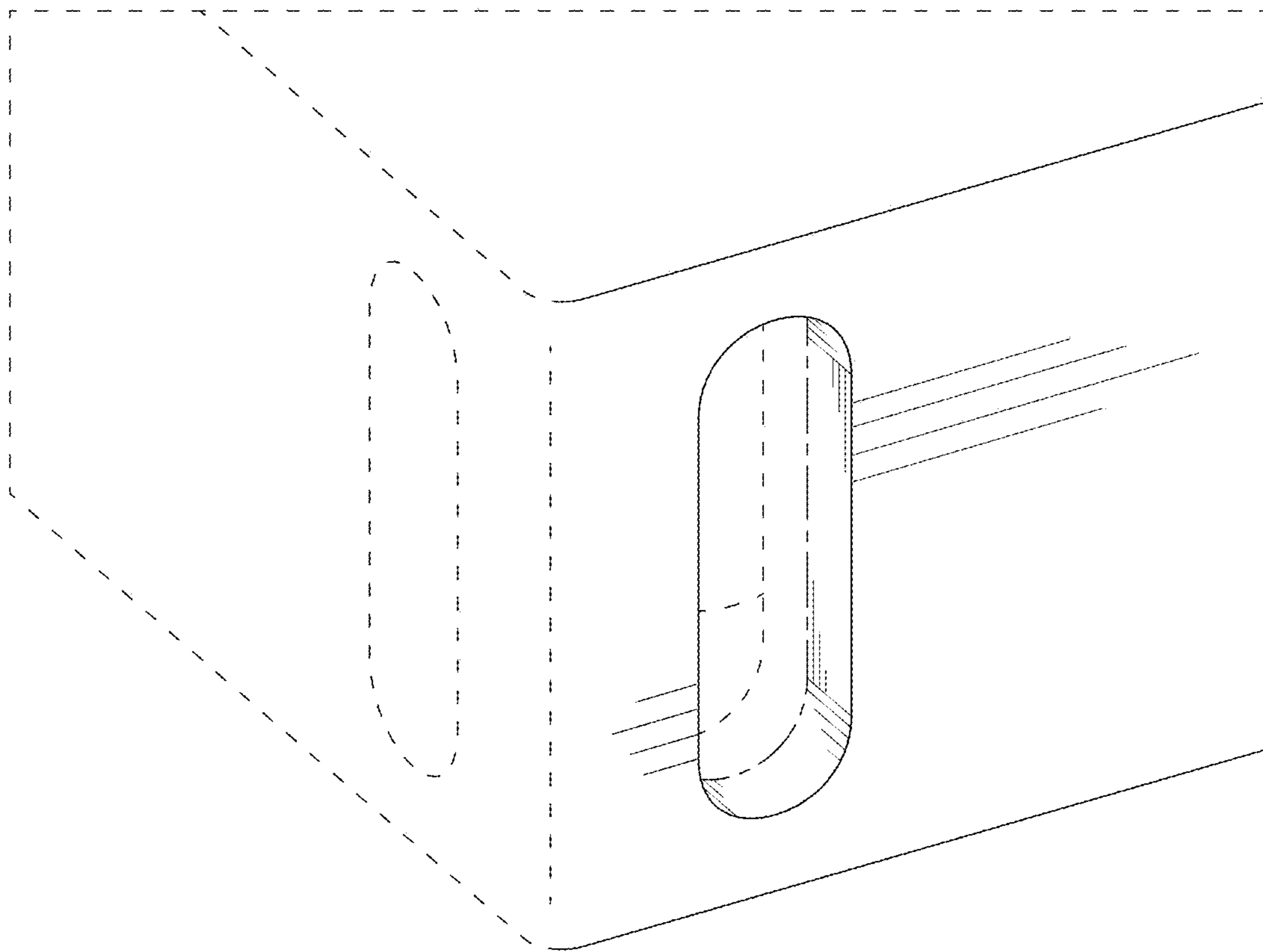


FIG. 8

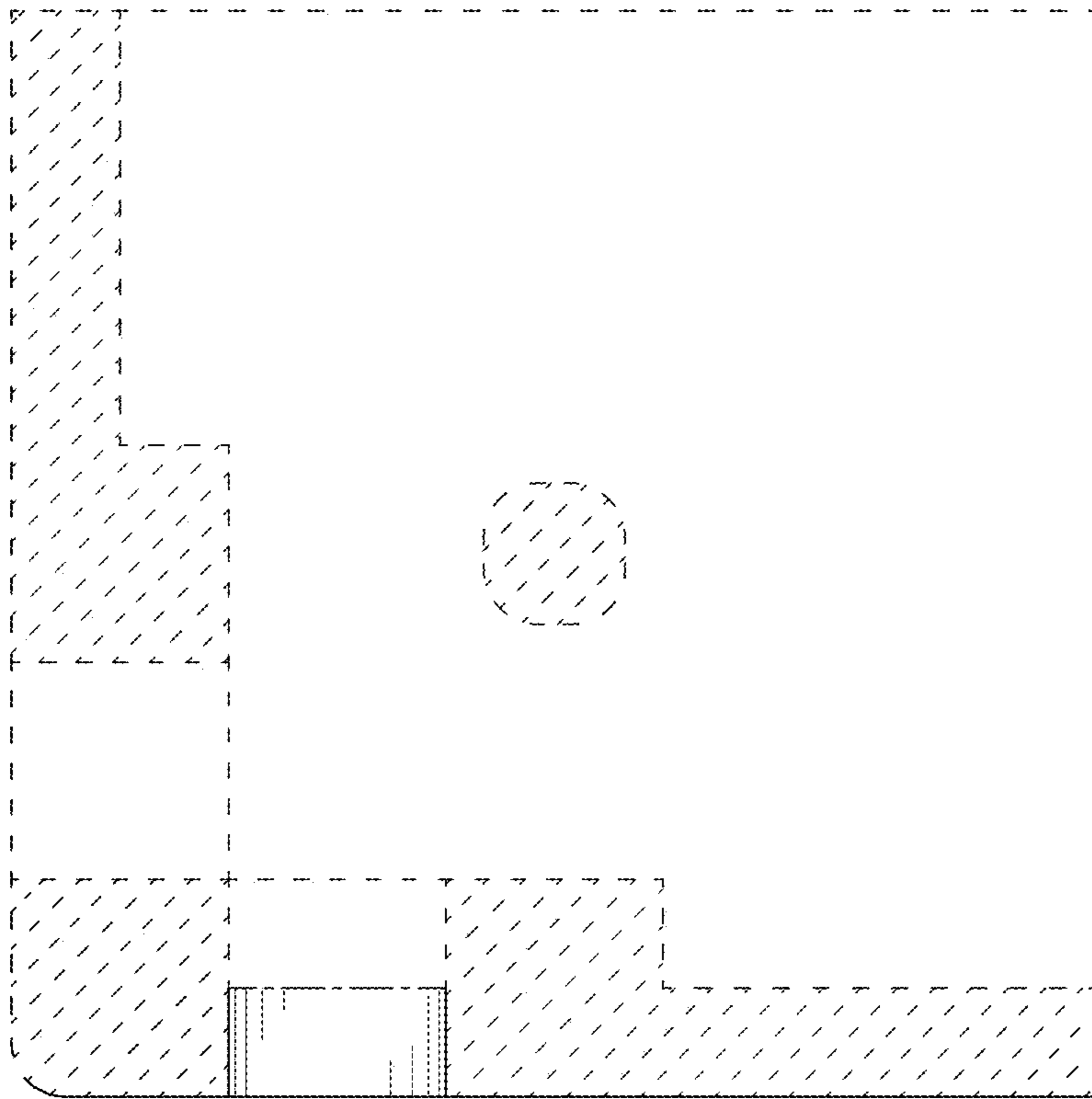


FIG. 9

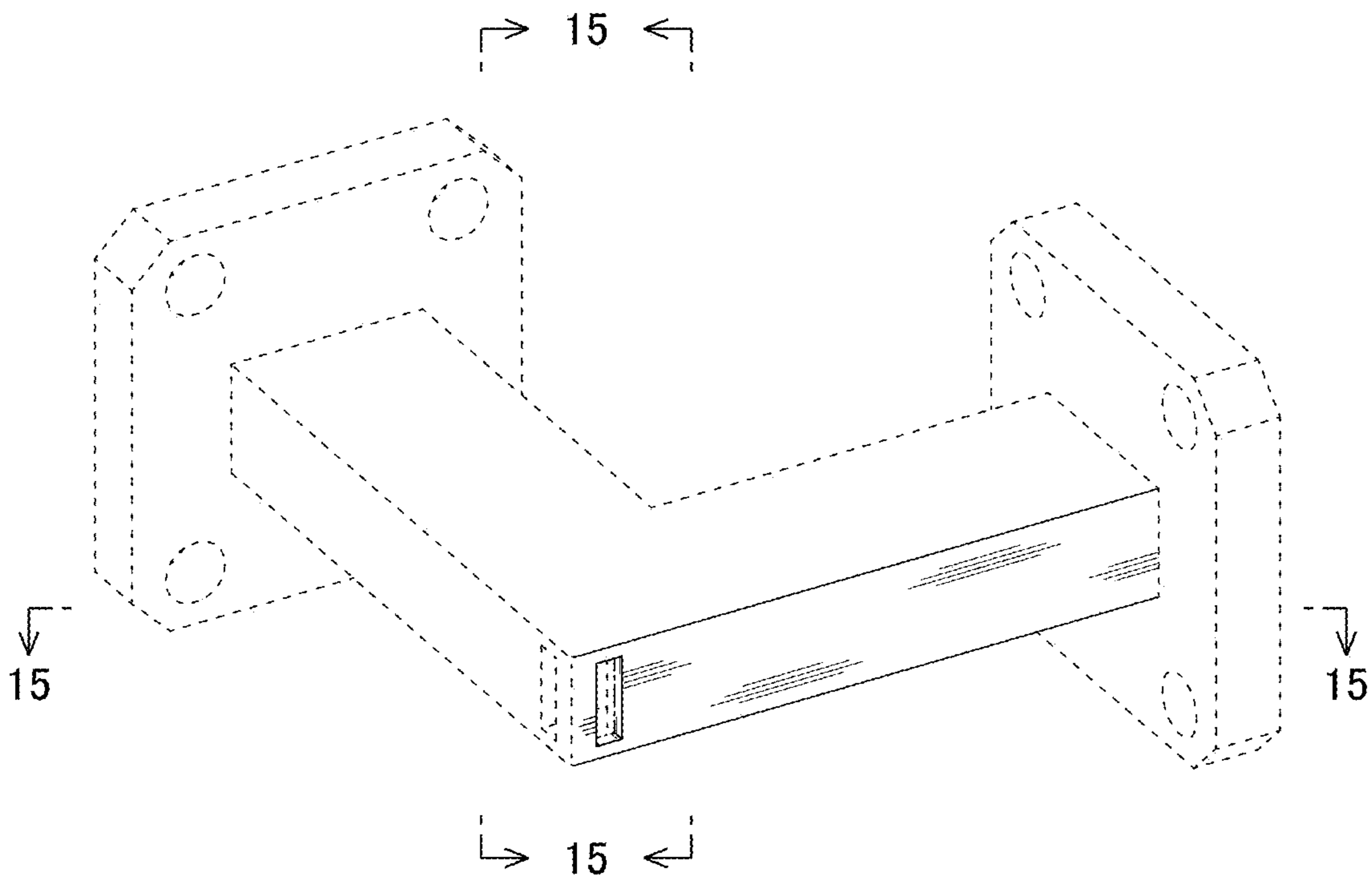


FIG. 10

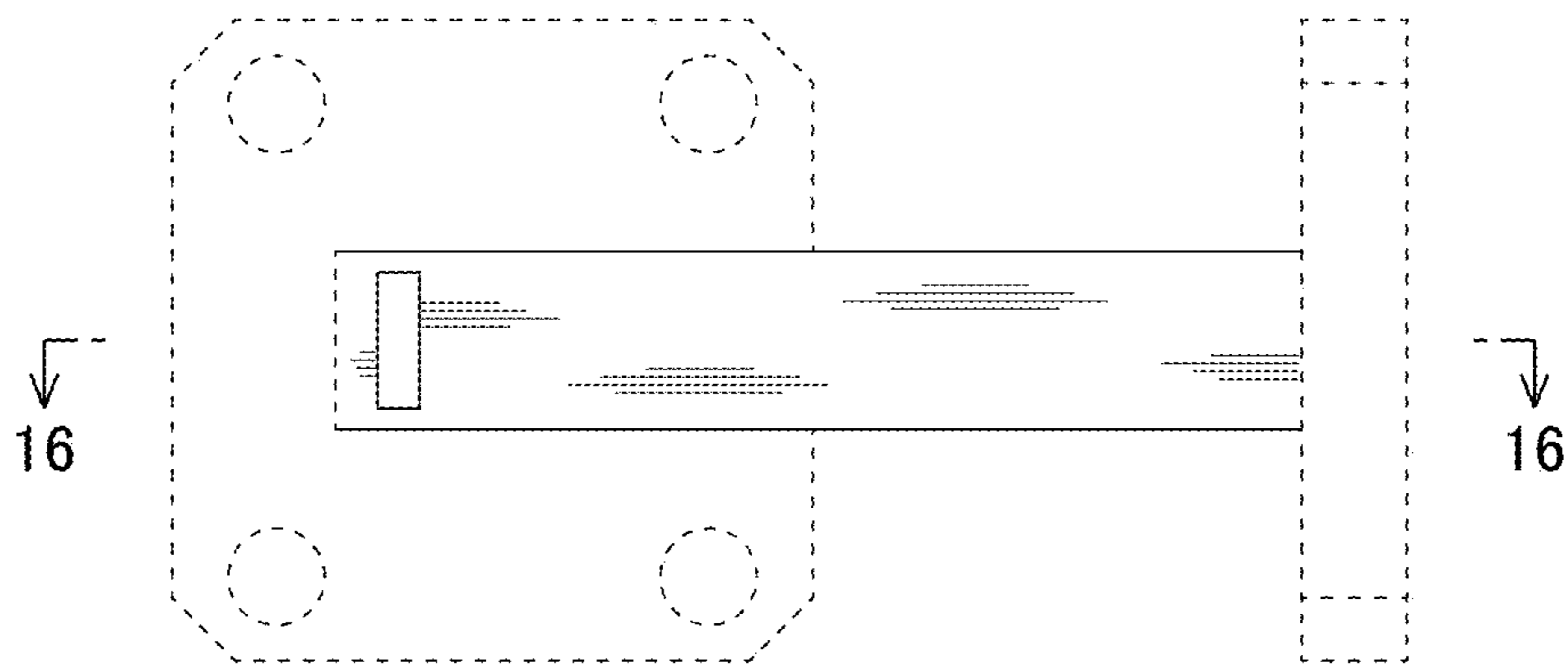


FIG. 11

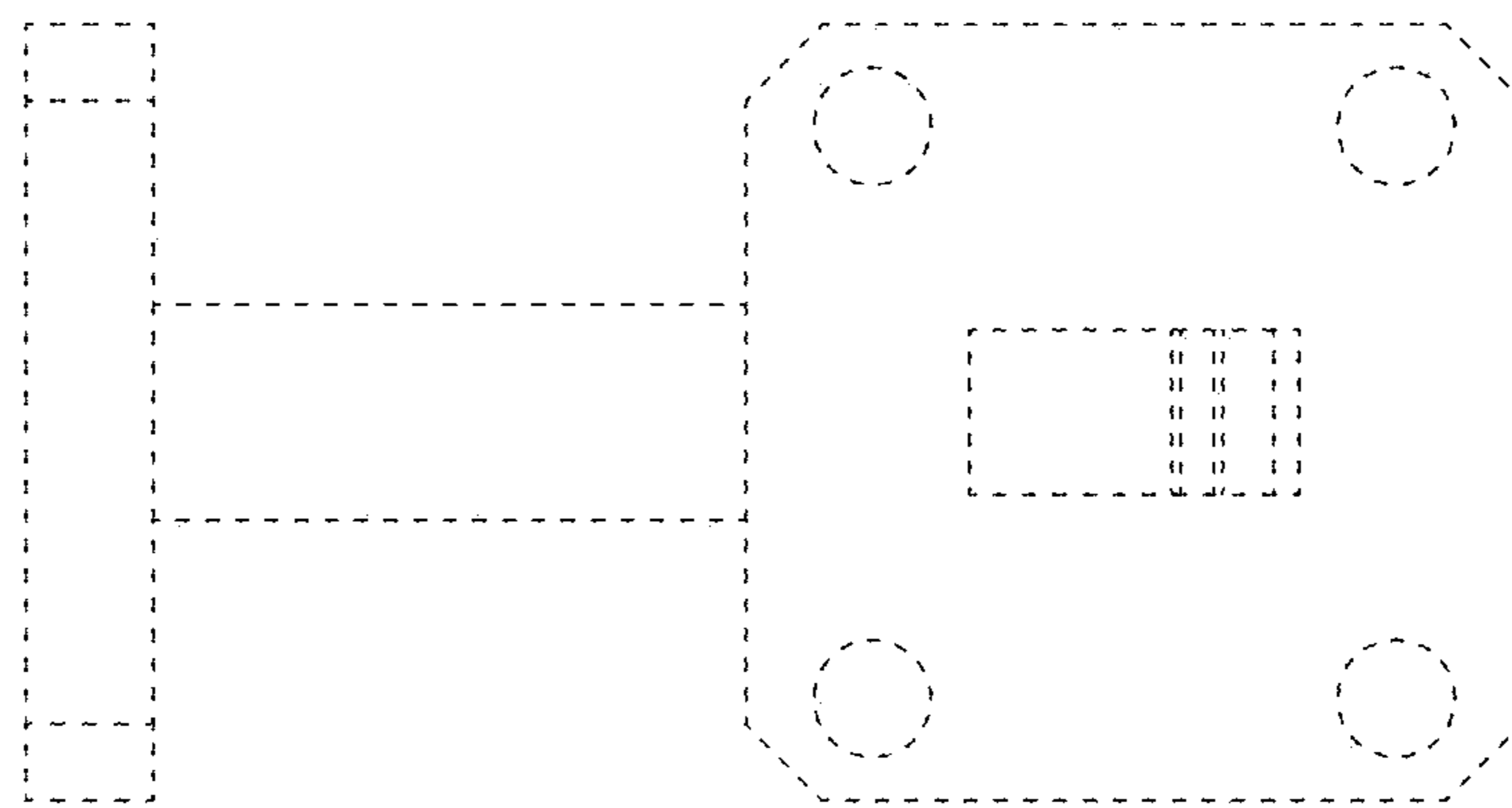


FIG. 12

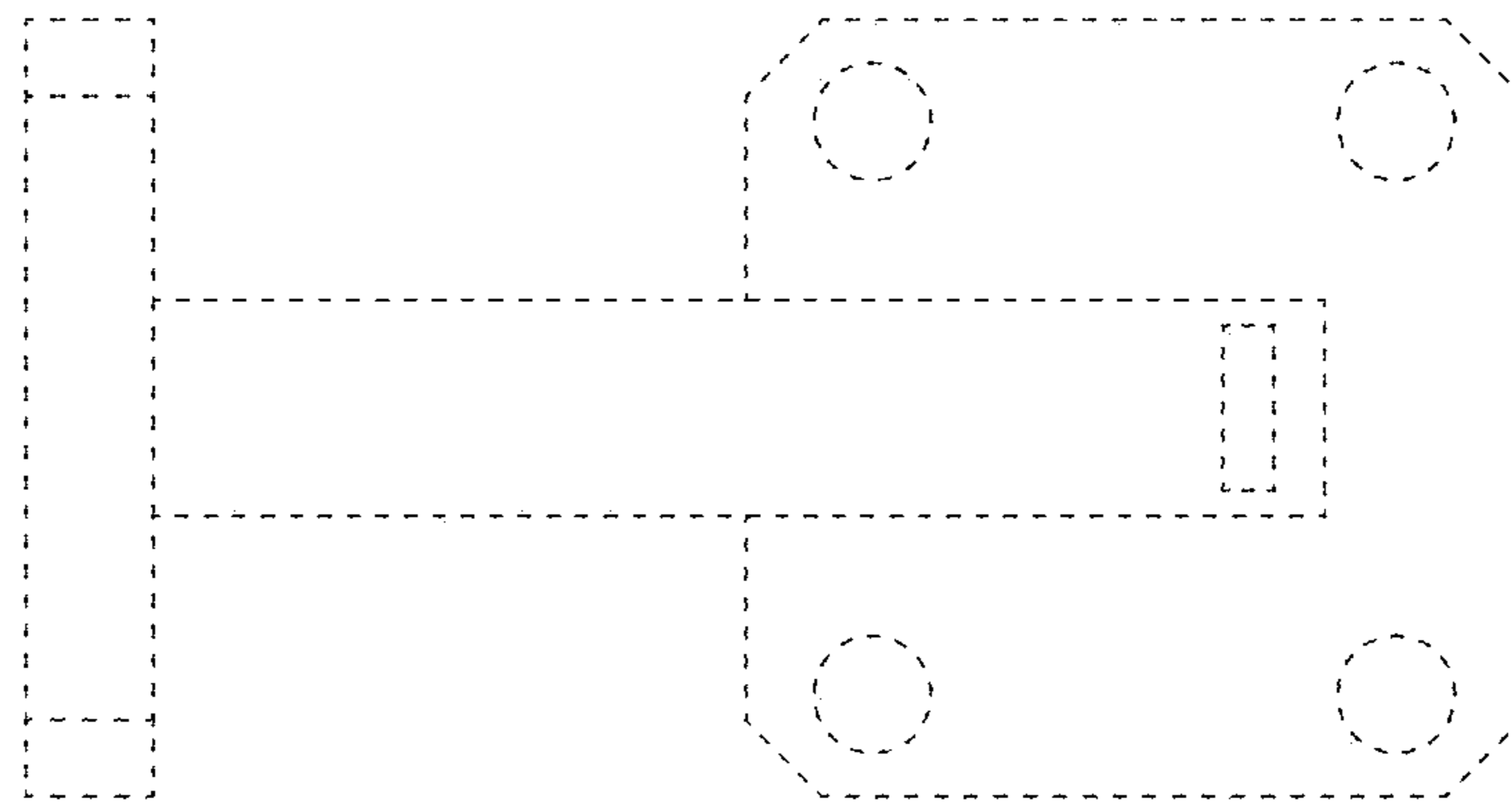


FIG. 13

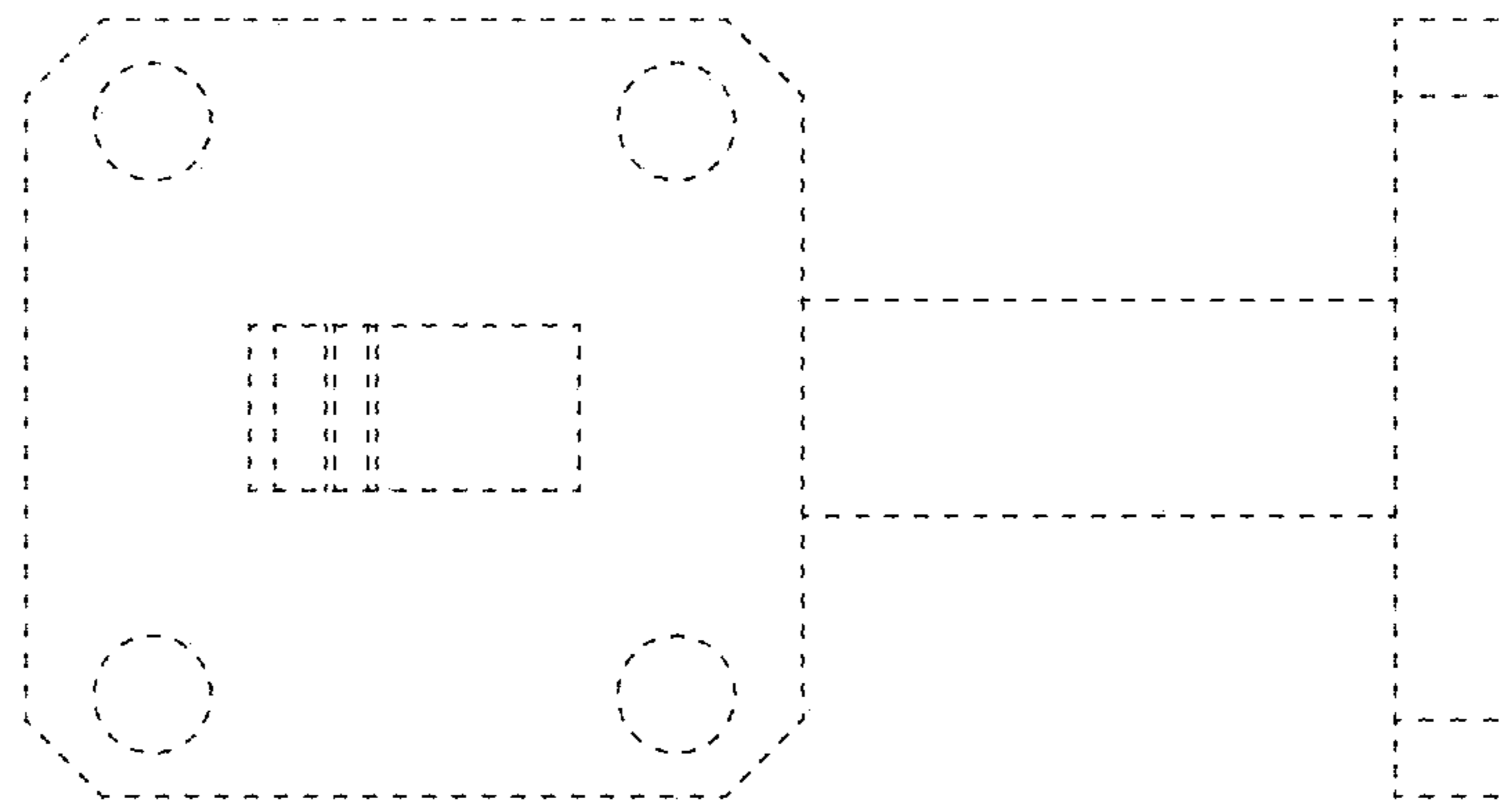


FIG. 14

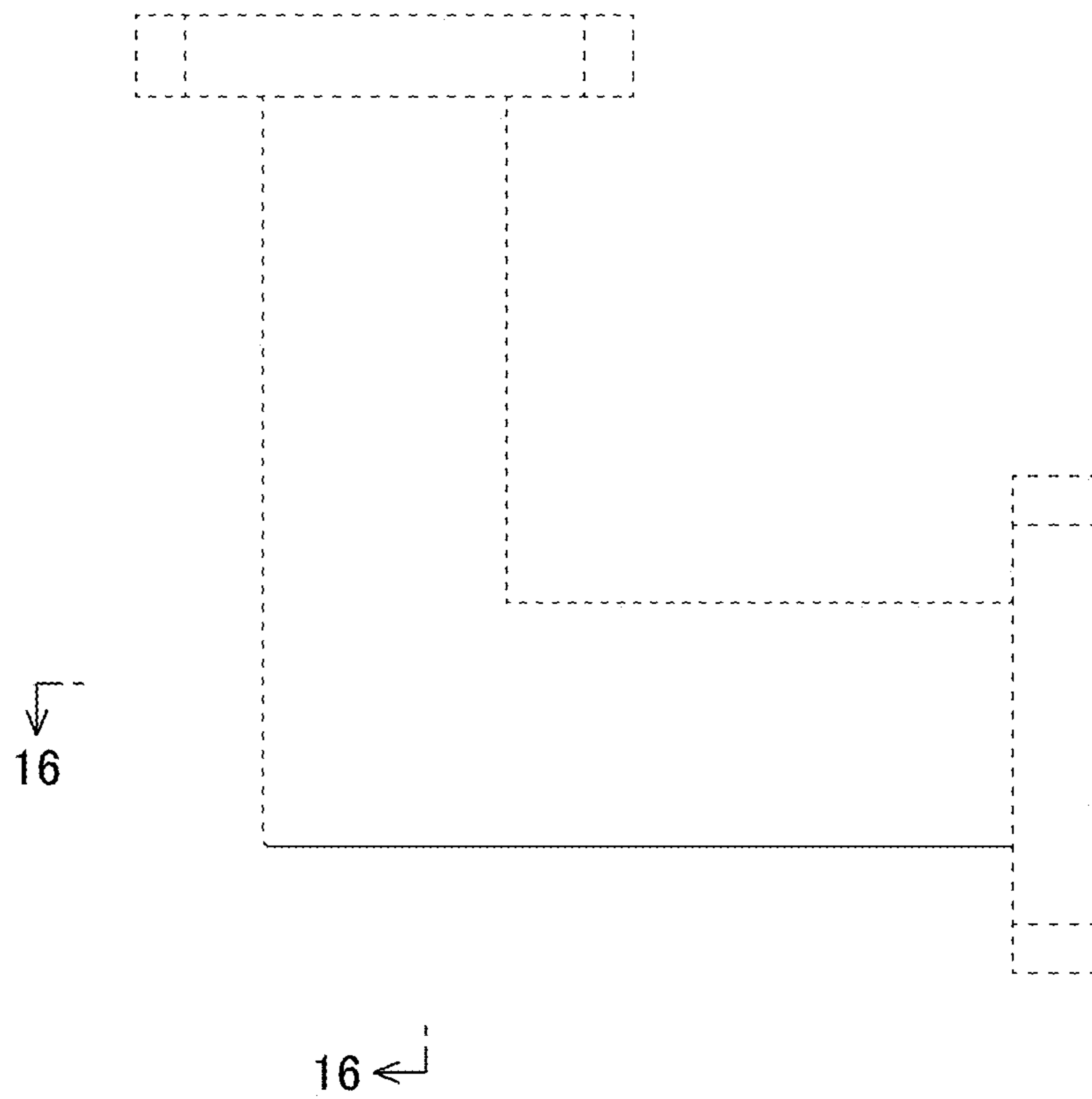


FIG. 15

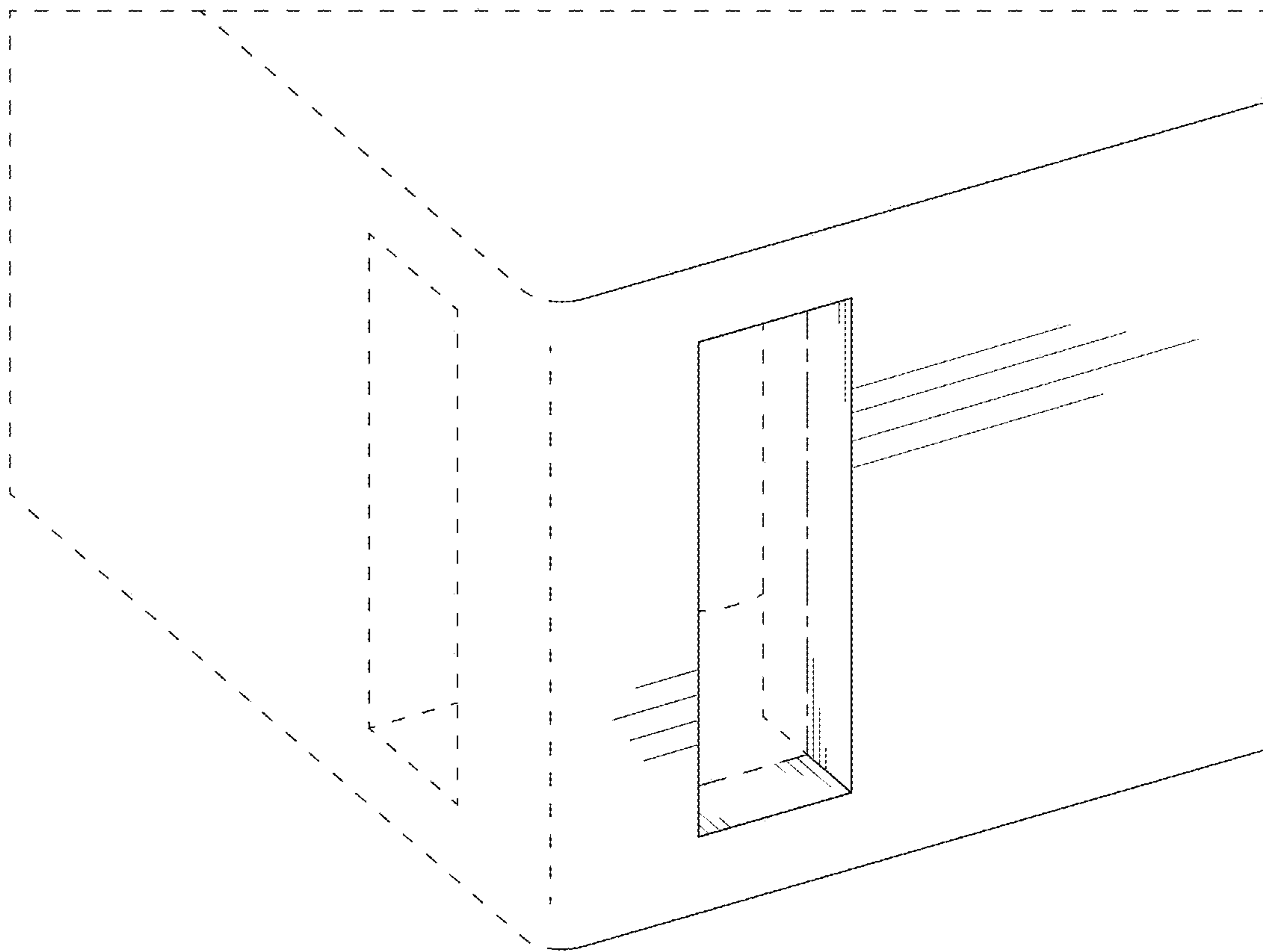


FIG. 16

