



US00D986224S

(12) **United States Design Patent** (10) **Patent No.:** **US D986,224 S**
Ma (45) **Date of Patent:** **** May 16, 2023**

(54) **EARPHONES AND CHARGING CASE SET**

FOREIGN PATENT DOCUMENTS

(71) Applicant: **SHENZHEN NA YIN TECHNOLOGY CO., LTD.**, Shenzhen (CN)

CN 306242145 * 12/2020
CN 306401934 * 3/2021

(Continued)

(72) Inventor: **Shaowu Ma**, Shenzhen (CN)

Primary Examiner — Paula Allen Greene

(73) Assignee: **SHENZHEN NA YIN TECHNOLOGY CO., LTD.**, Shenzhen (CN)

(57) **CLAIM**

The ornamental design for earphones and charging case set, as shown and described.

(**) Term: **15 Years**

DESCRIPTION

(21) Appl. No.: **29/803,309**

(22) Filed: **Aug. 12, 2021**

(51) **LOC (14) Cl.** **14-01**

(52) **U.S. Cl.**
USPC **D14/223**

(58) **Field of Classification Search**
USPC D14/223, 205; D13/108, 107; D3/201, D3/294, 274, 295; D9/420, 430, 456, D9/435, 424, 521, 529; D28/76, 82, 73, D28/78; 381/380–381, 328, 322; 206/266; 455/575.2
CPC H04R 1/10; H04R 25/00; H04R 25/02; H04R 1/1066; H04R 1/1025; H04R 1/1041; H04R 1/105; H04R 1/1058; H02J 7/0047; H04B 1/02; A45C 11/24; B65D 43/165

See application file for complete search history.

FIG. 1 is a perspective view of earphones of earphones and charging case set, shown separately for ease of illustration; FIG. 2 is another perspective view thereof; FIG. 3 is a front elevational view thereof; FIG. 4 is a rear elevational view thereof; FIG. 5 is a left side elevational view thereof; FIG. 6 is a right side elevational view thereof; FIG. 7 is a top plan view thereof; FIG. 8 is a bottom plan view thereof; FIG. 9 is a perspective view of a charging case of the earphones and charging case set, shown separately for ease of illustration and in an open configuration; FIG. 10 is another perspective view thereof; FIG. 11 is a front elevational view thereof; FIG. 12 is a rear elevational view thereof; FIG. 13 is a left side elevational view thereof; FIG. 14 is a right side elevational view thereof; FIG. 15 is a top plan view thereof; FIG. 16 is a bottom plan view thereof; FIG. 17 is a perspective view of the earphones and charging case set, shown in use with the earphones received in the charging case; and, FIG. 18 is a perspective view of the charging case of the earphones and charging case set, shown separately for ease of illustration and in a closed configuration.

The broken lines in the drawings depict portions of the earphones and charging case set that form no part of the claimed design.

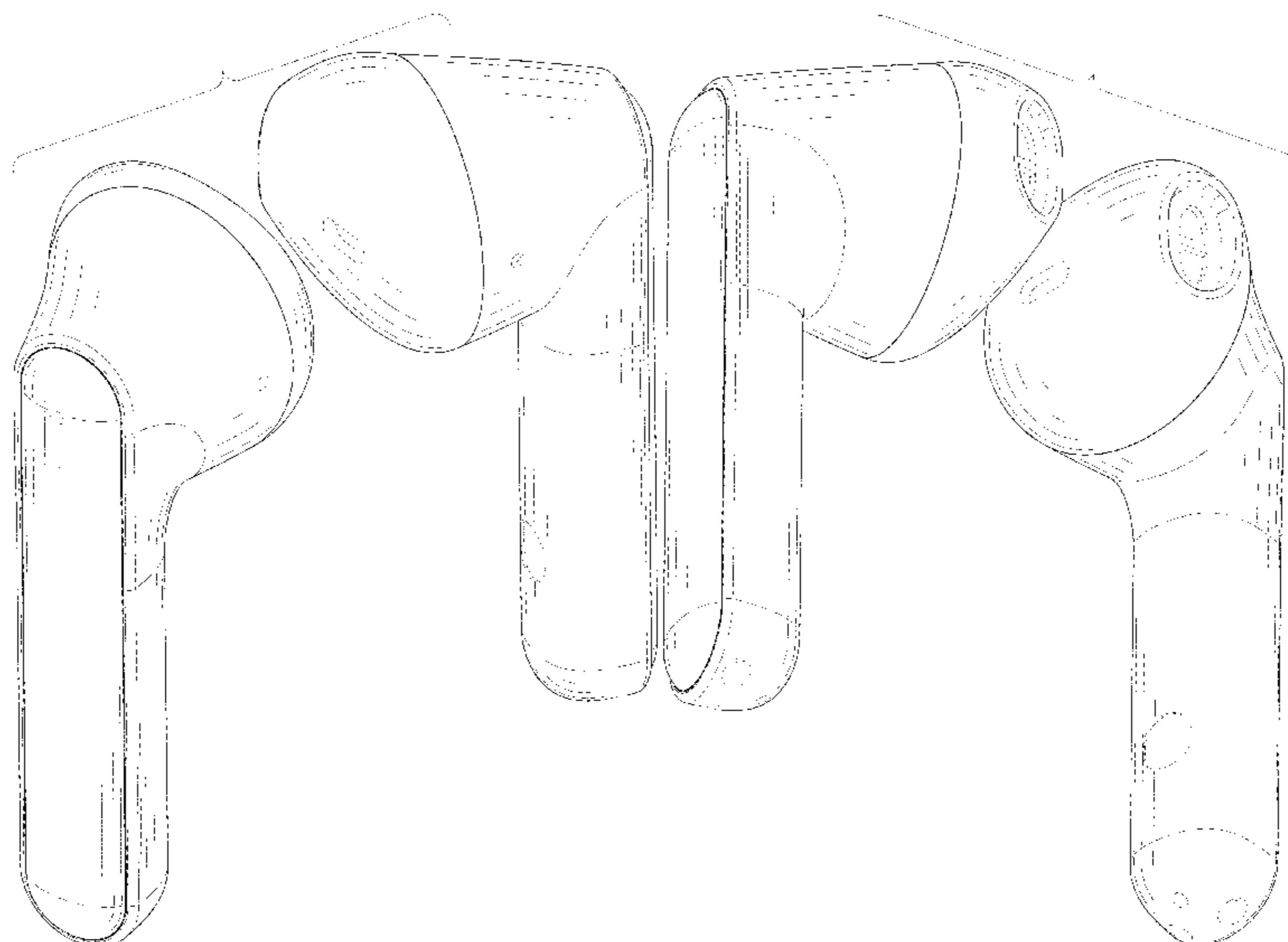
(56) **References Cited**

U.S. PATENT DOCUMENTS

1,278,691 A * 9/1918 Leiman B65D 5/543 229/160.1
D279,507 S * 7/1985 Schechter D27/189
D289,262 S * 4/1987 Goetz D9/423

(Continued)

1 Claim, 18 Drawing Sheets



(56)

References Cited

U.S. PATENT DOCUMENTS

D306,185 S * 2/1990 Ukisu D9/414
 D311,334 S * 10/1990 Flynn D7/629
 D322,687 S * 12/1991 Tschudin D27/189
 D341,315 S * 11/1993 Seymour D9/529
 D351,105 S * 10/1994 Grip D9/529
 D363,669 S * 10/1995 Pennoyer, Jr. D9/423
 D364,563 S * 11/1995 Miller D9/423
 D399,604 S * 10/1998 Wolff D28/76
 D417,541 S * 12/1999 Conway D3/264
 D433,331 S * 11/2000 Denham D9/432
 D449,536 S * 10/2001 Kokubo D9/558
 D463,907 S * 10/2002 Lemoine D3/205
 D467,799 S * 12/2002 Persson D9/423
 D475,282 S * 6/2003 Snaith D9/420
 D493,257 S * 7/2004 McCorkindale D28/66
 D536,253 S * 2/2007 Howes D9/529
 D594,321 S * 6/2009 Tanaka D9/420
 D651,903 S * 1/2012 Teller D9/521
 D720,096 S * 12/2014 McDougall D28/66
 D801,314 S * 10/2017 Akana D14/223
 D806,388 S * 1/2018 Akana D3/294
 D818,268 S * 5/2018 Akana D3/294
 D849,401 S * 5/2019 Akana D3/274
 D853,357 S * 7/2019 Li D14/217
 D863,110 S * 10/2019 Bischoff D12/98
 D864,110 S * 10/2019 Yoshimura D3/294
 D870,459 S * 12/2019 Lee D3/318
 10,530,176 B2 * 1/2020 Green H02J 7/0044
 D878,045 S * 3/2020 Akana D3/274
 D878,337 S * 3/2020 Yang D14/223
 D881,572 S * 4/2020 Wang D3/294
 D885,373 S * 5/2020 Lundbäck D14/223
 D888,408 S * 6/2020 Lee D3/269
 D888,662 S * 6/2020 Cramer D13/108
 D889,436 S * 7/2020 Zhang D14/206
 D890,091 S * 7/2020 Cramer D13/108
 D893,185 S * 8/2020 Liu D3/294
 D893,462 S * 8/2020 Liu D14/223
 D897,997 S * 10/2020 Zhang D14/223
 D902,588 S * 11/2020 Zhang D3/294
 D902,856 S * 11/2020 Klein D13/108
 D904,025 S * 12/2020 Ma D3/294
 D911,027 S * 2/2021 Liang D3/274
 D912,622 S * 3/2021 Zhou D3/294
 D918,138 S * 5/2021 Ma D3/294
 D920,236 S * 5/2021 Xie D3/294

D924,209 S * 7/2021 Wu D14/223
 D924,851 S * 7/2021 Li D14/223
 D931,258 S * 9/2021 Ding D3/274
 D934,563 S * 11/2021 Xiang D3/294
 D935,772 S * 11/2021 Chen D3/294
 D942,753 S * 2/2022 Zhou D3/274
 D944,197 S * 2/2022 Li D14/223
 D946,517 S * 3/2022 Zhang D14/223
 D948,484 S * 4/2022 Zhang D14/223
 D950,488 S * 5/2022 Ruan D3/294
 D953,739 S * 6/2022 Akana D14/223
 D956,421 S * 7/2022 Akana D14/223
 D956,722 S * 7/2022 Zhou D14/223
 D957,818 S * 7/2022 Liu D3/294
 D958,117 S * 7/2022 Zhang D3/274
 D958,532 S * 7/2022 Ekman D3/294
 D961,508 S * 8/2022 Zhang D14/223
 D962,643 S * 9/2022 Akana D14/223
 D962,898 S * 9/2022 Deng D14/223
 D967,802 S * 10/2022 Zhang D14/223
 D973,036 S * 12/2022 Zhang D14/223
 D977,461 S * 2/2023 Lin D14/223
 D977,836 S * 2/2023 Rong D14/223
 D978,075 S * 2/2023 Zhou D3/294
 2015/0382100 A1 * 12/2015 Azmi H04R 1/2811
 381/380
 2020/0107098 A1 * 4/2020 DiFonzo H01F 1/147
 2020/0252715 A1 * 8/2020 Zhou H04R 1/1016
 2020/0412143 A1 * 12/2020 Chang H02J 7/0044
 2021/0013917 A1 * 1/2021 McCaughey H04B 1/3838
 2021/0014603 A1 * 1/2021 Wei G01V 3/088
 2021/0120328 A1 * 4/2021 Hedh H04R 1/1041

FOREIGN PATENT DOCUMENTS

CN 306984722 * 12/2021
 CN 307278828 * 4/2022
 CN 307417178 * 6/2022
 CN 307516716 * 8/2022
 EM 008426035-0001 * 2/2021
 EM 008443071-0001 * 2/2021
 EM 008536924-0001 * 5/2021
 EM 008616395-0001 * 7/2021
 EM 008649842-0001 * 8/2021
 EM 009191828-0002 * 9/2022
 GB 9007983143-0001 * 6/2020
 GB 6191627 * 2/2022
 JP D1696912 * 9/2021

* cited by examiner

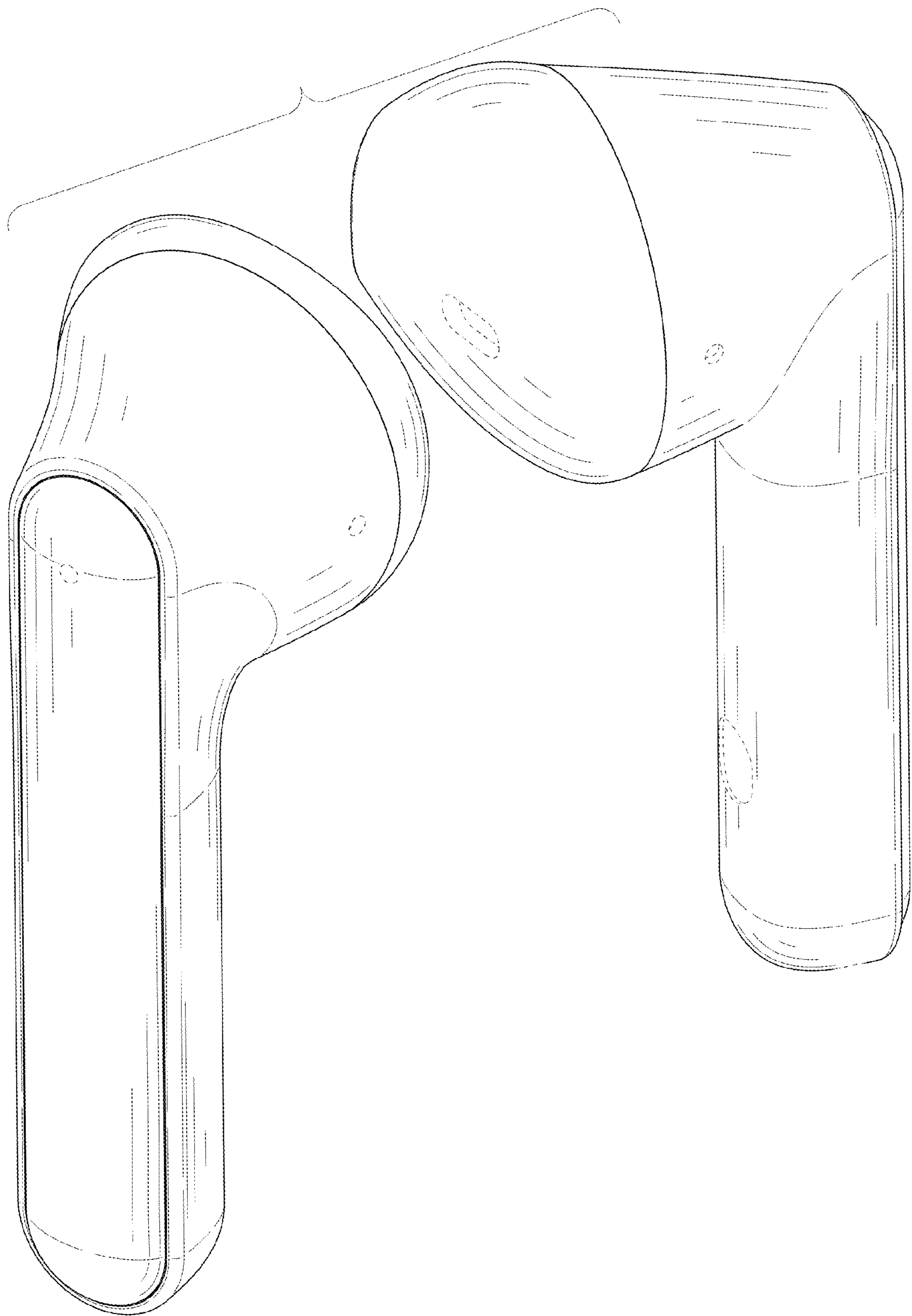


FIG. 1

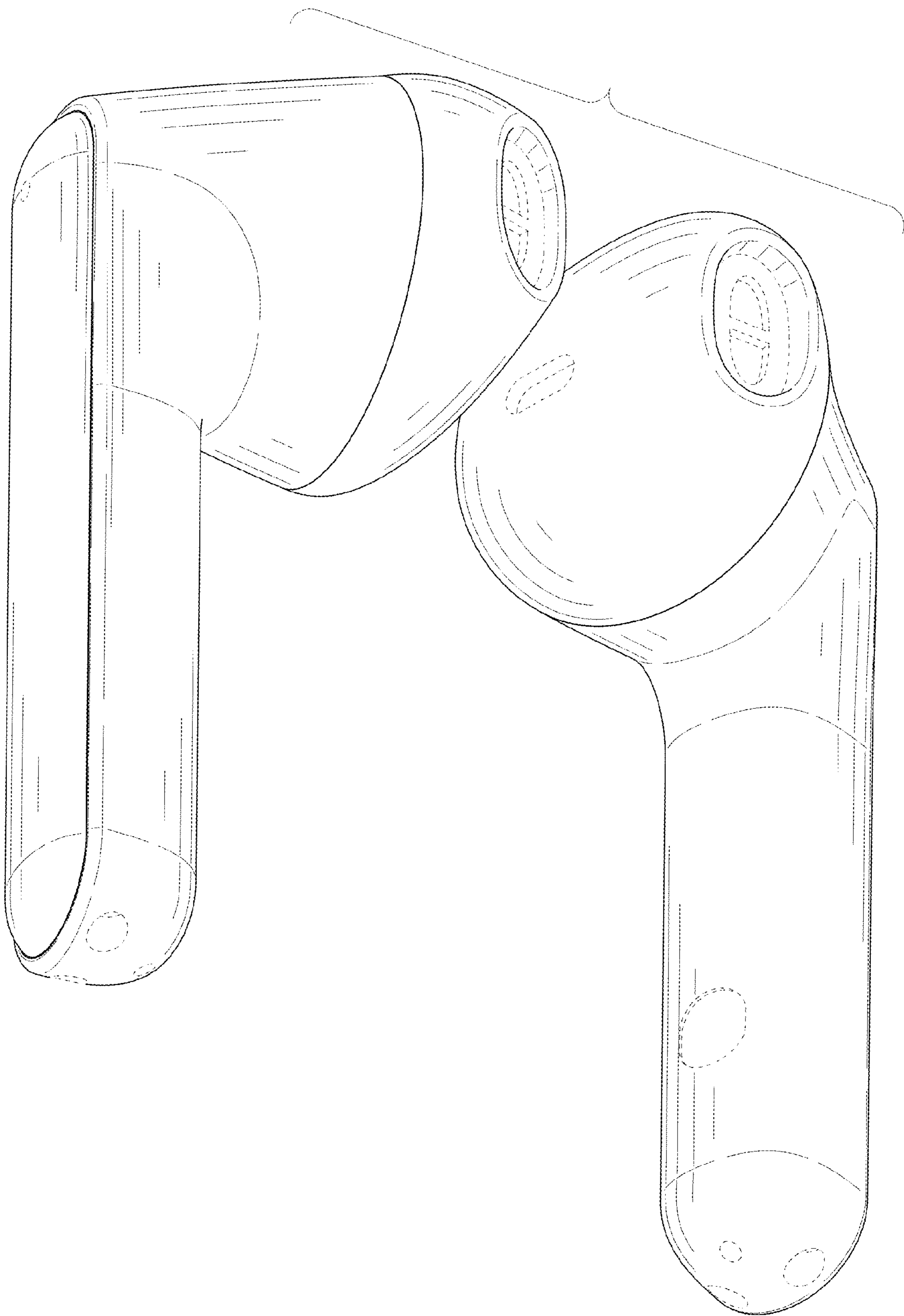


FIG. 2

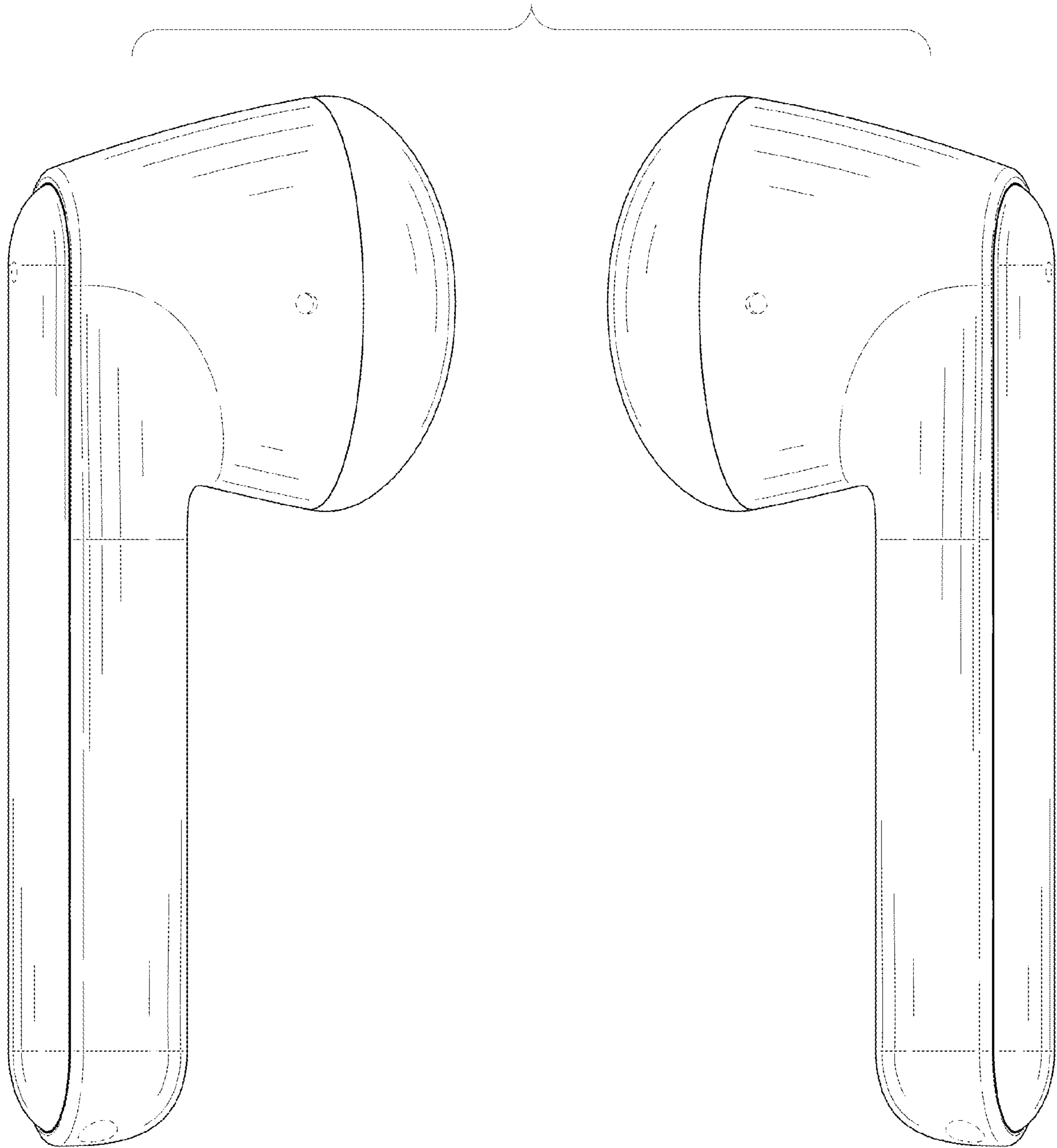


FIG. 3

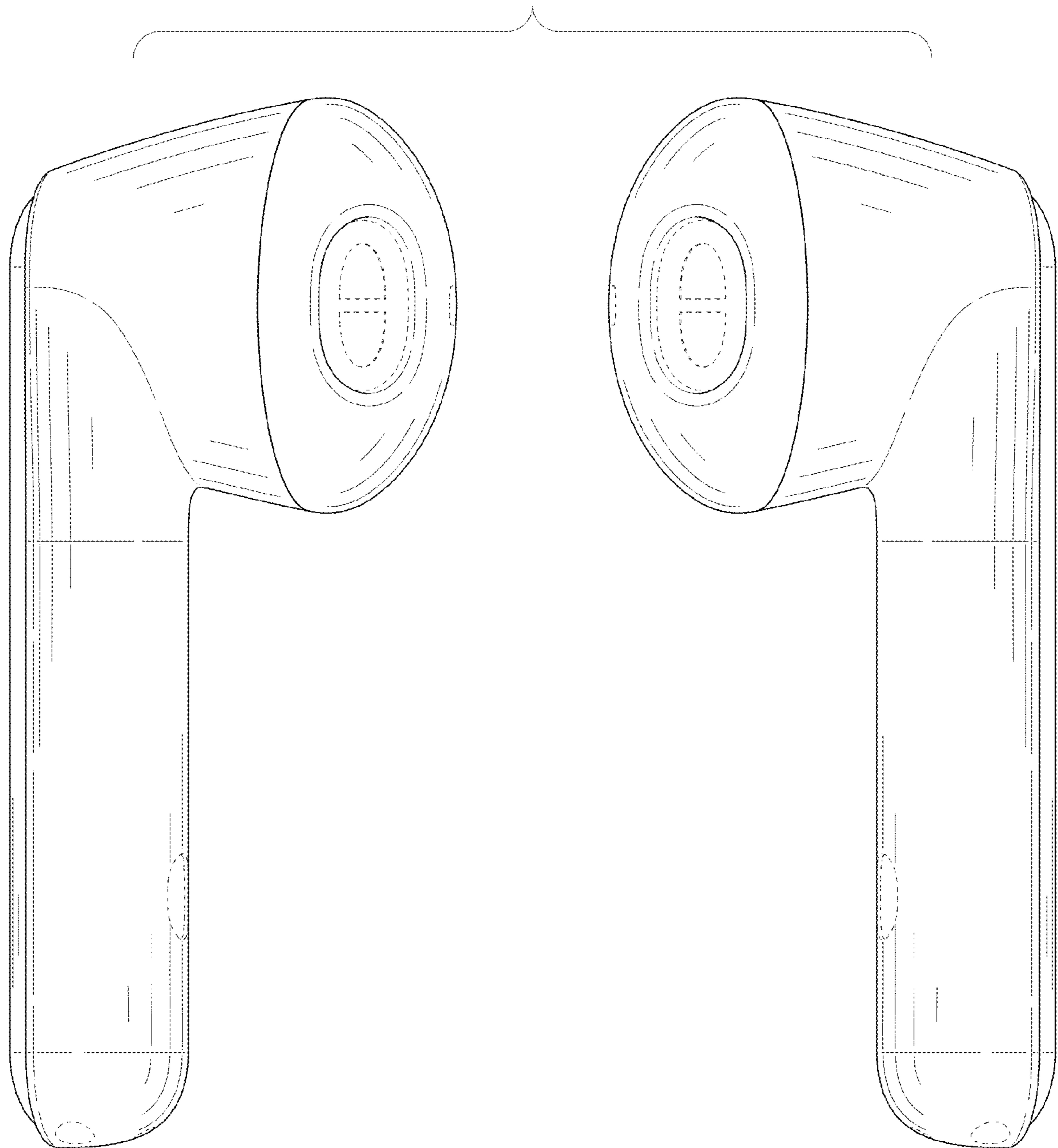


FIG. 4

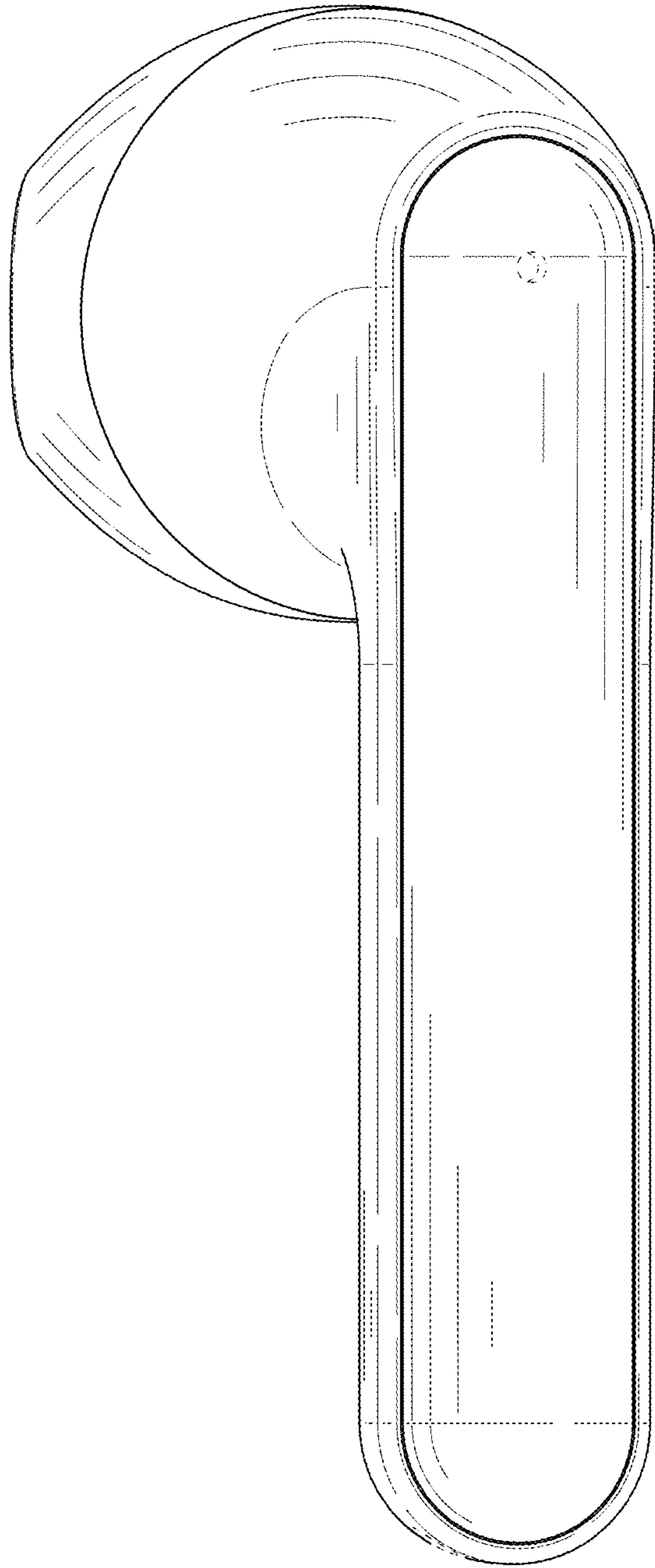


FIG. 5

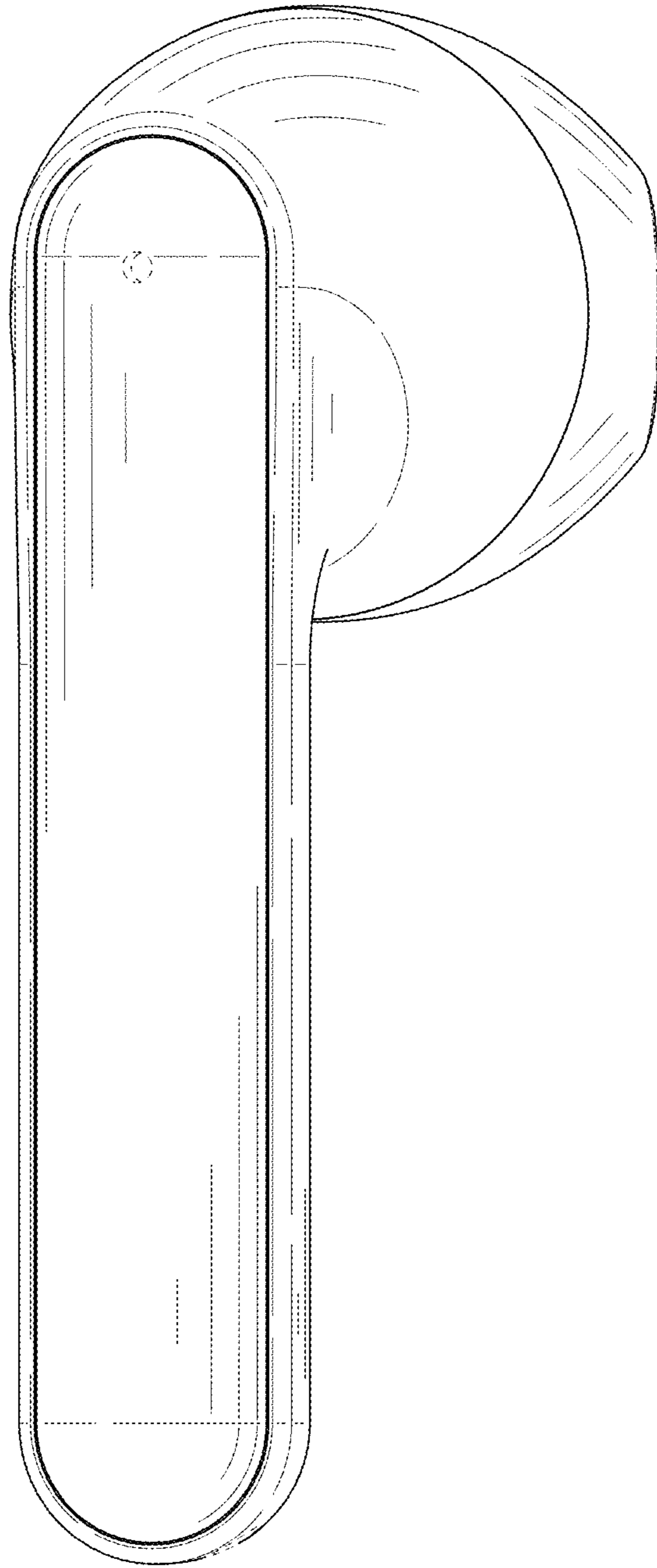


FIG. 6

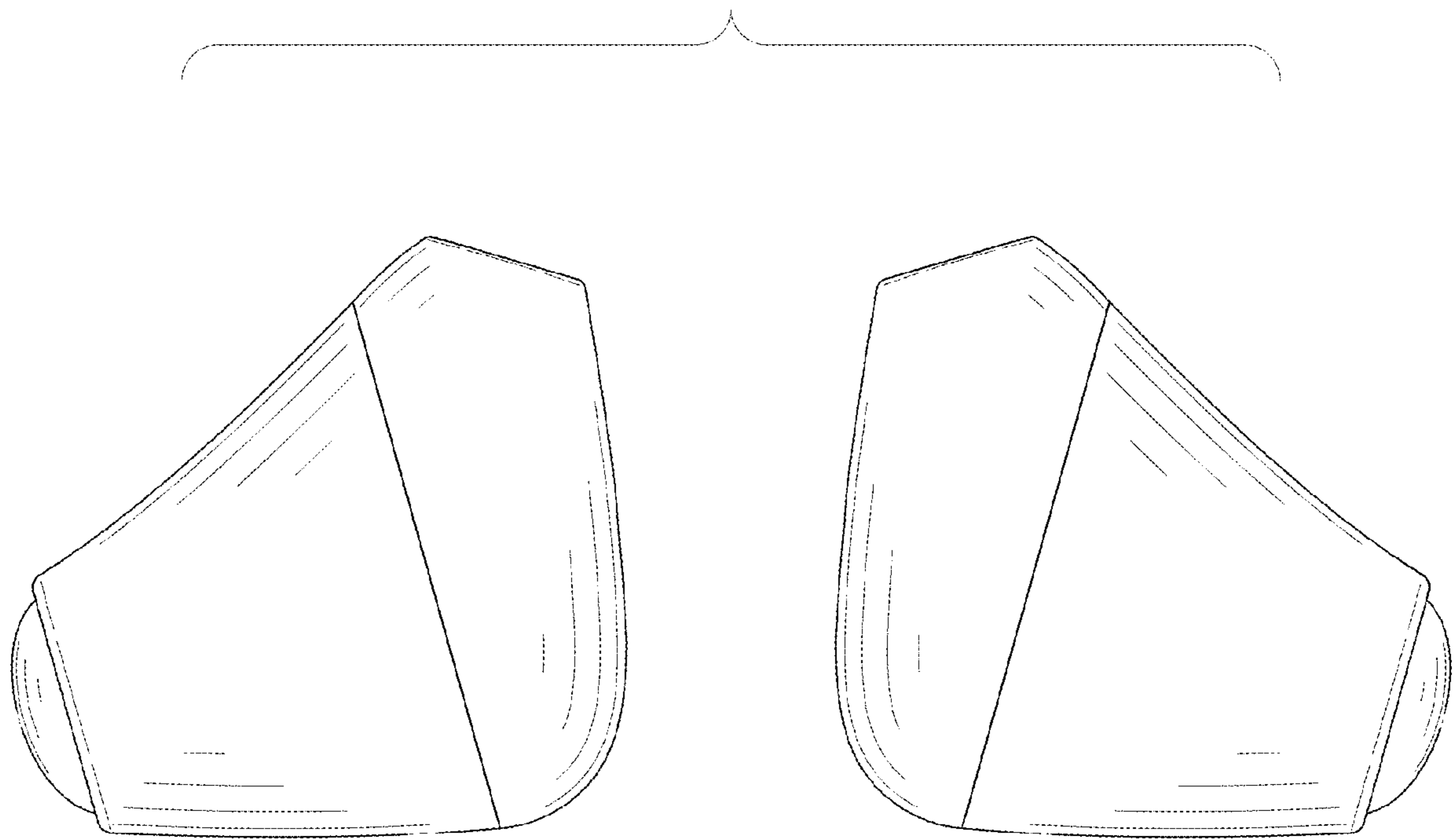


FIG. 7

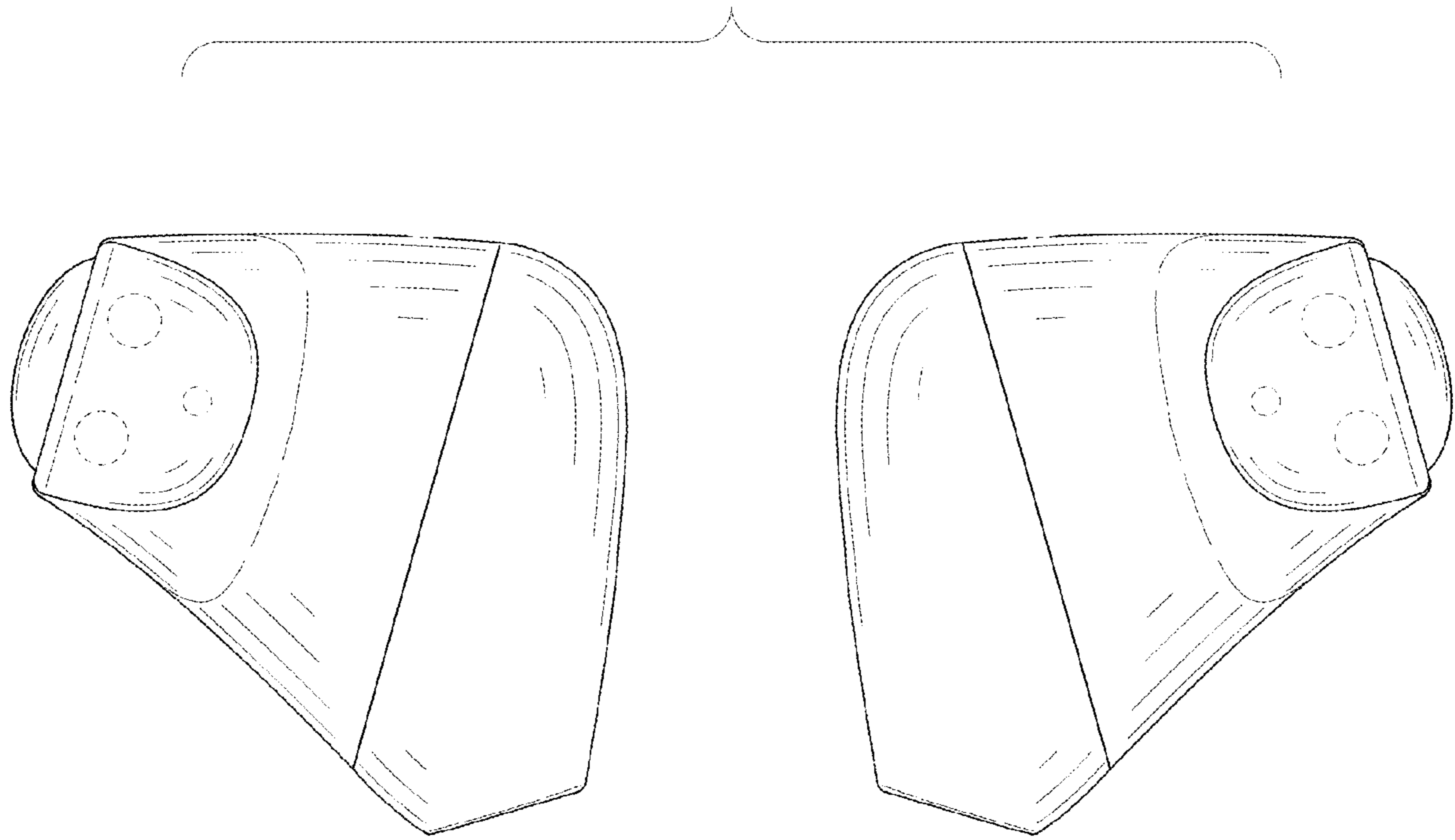


FIG. 8

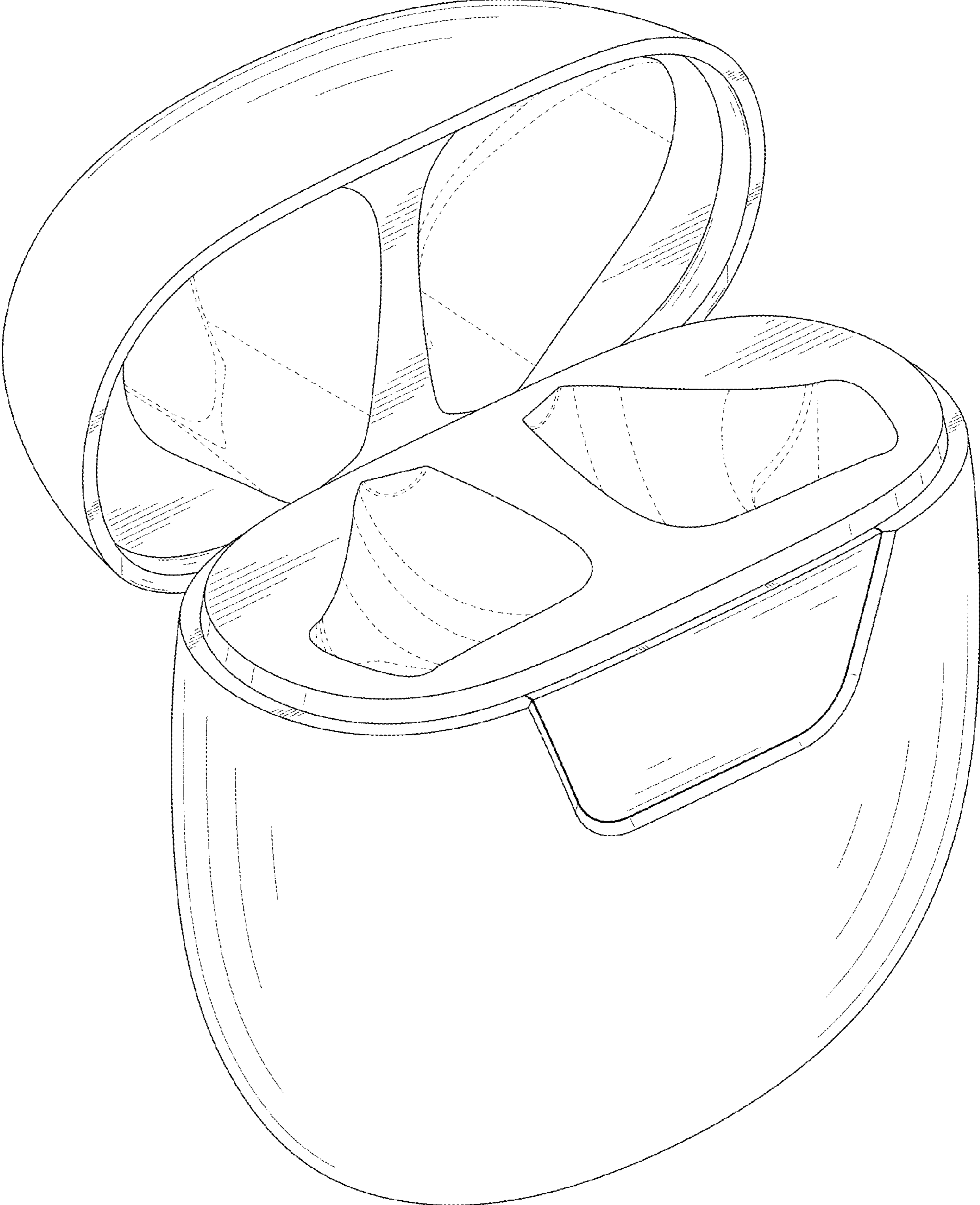


FIG. 9

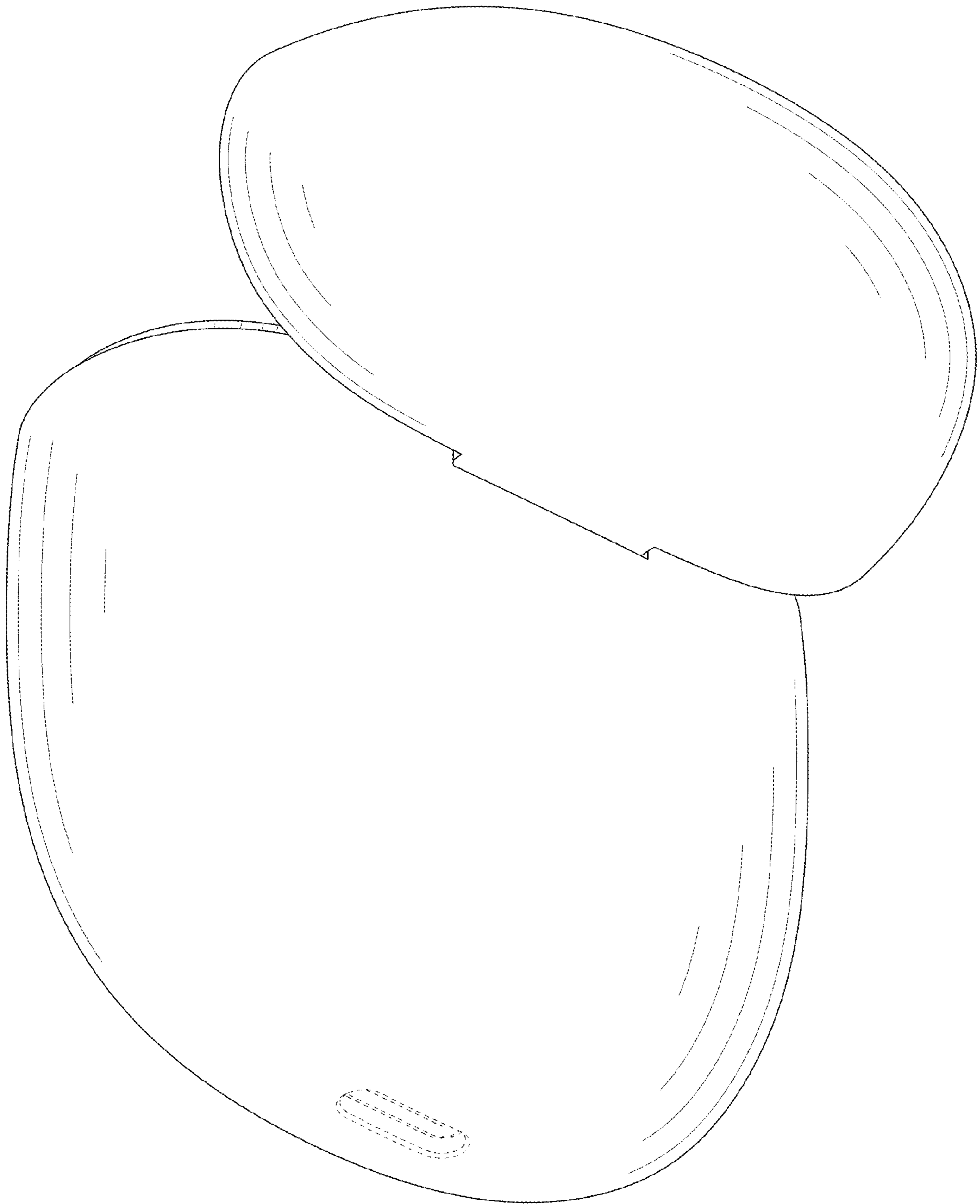


FIG. 10

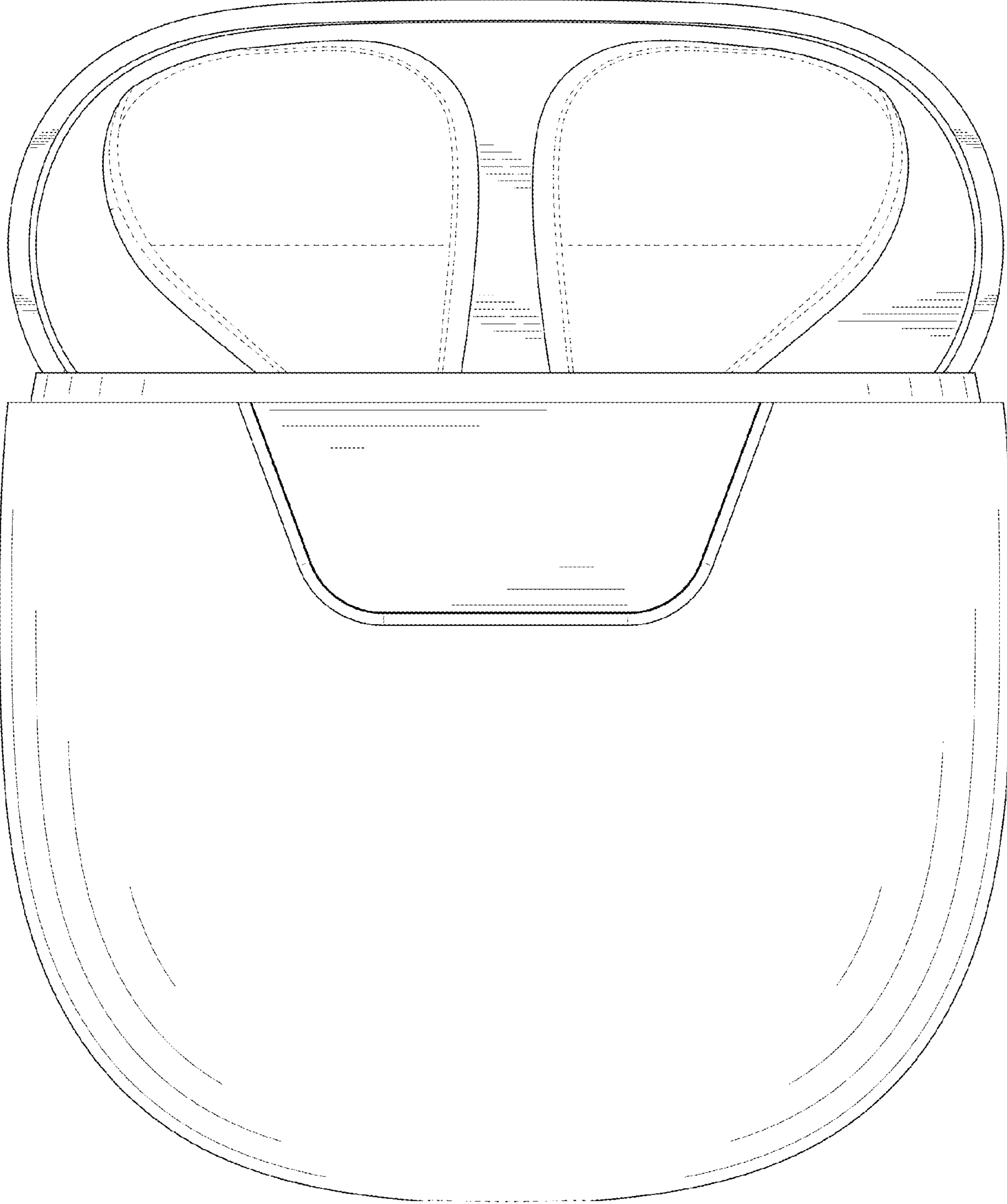


FIG. 11

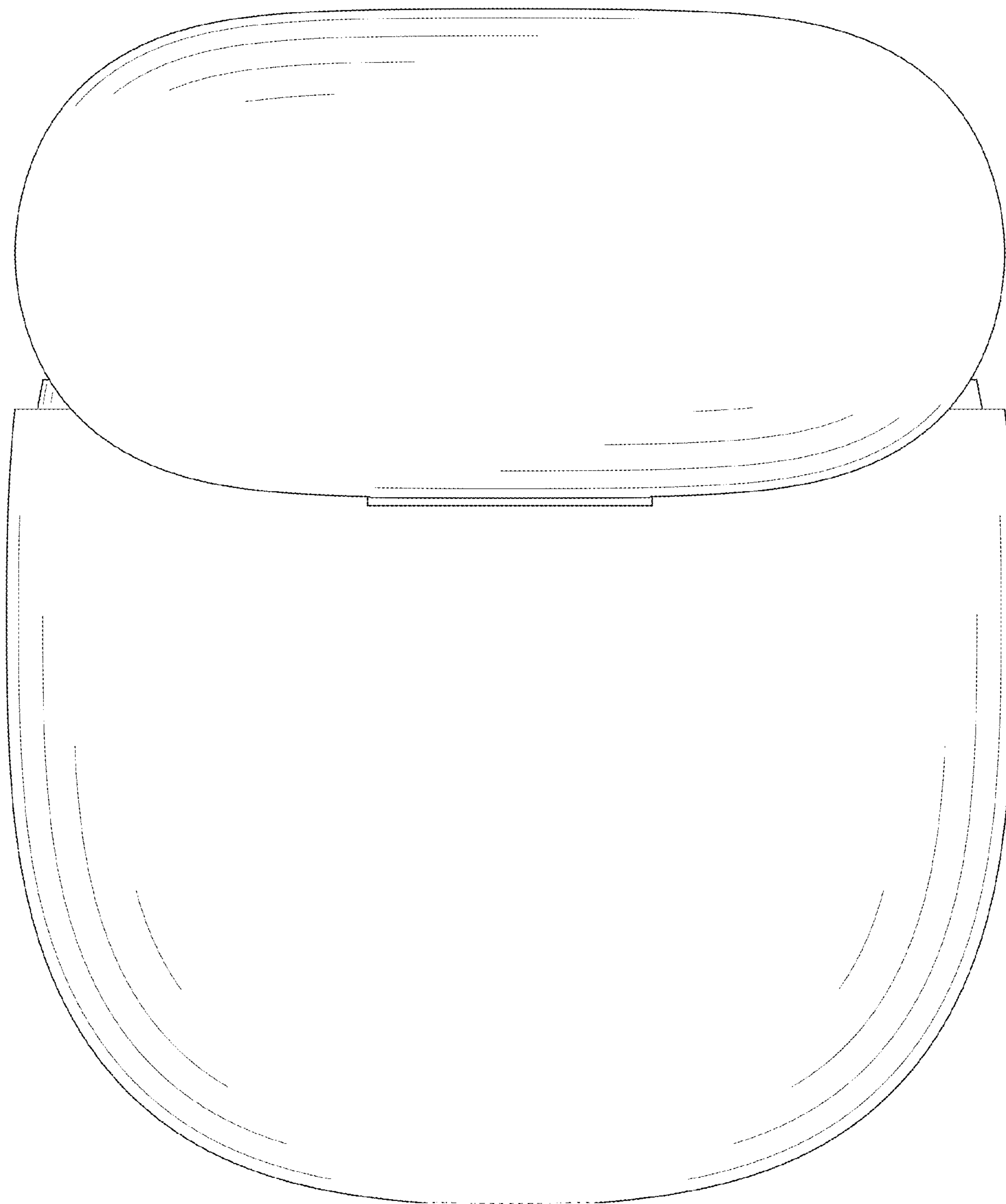


FIG. 12

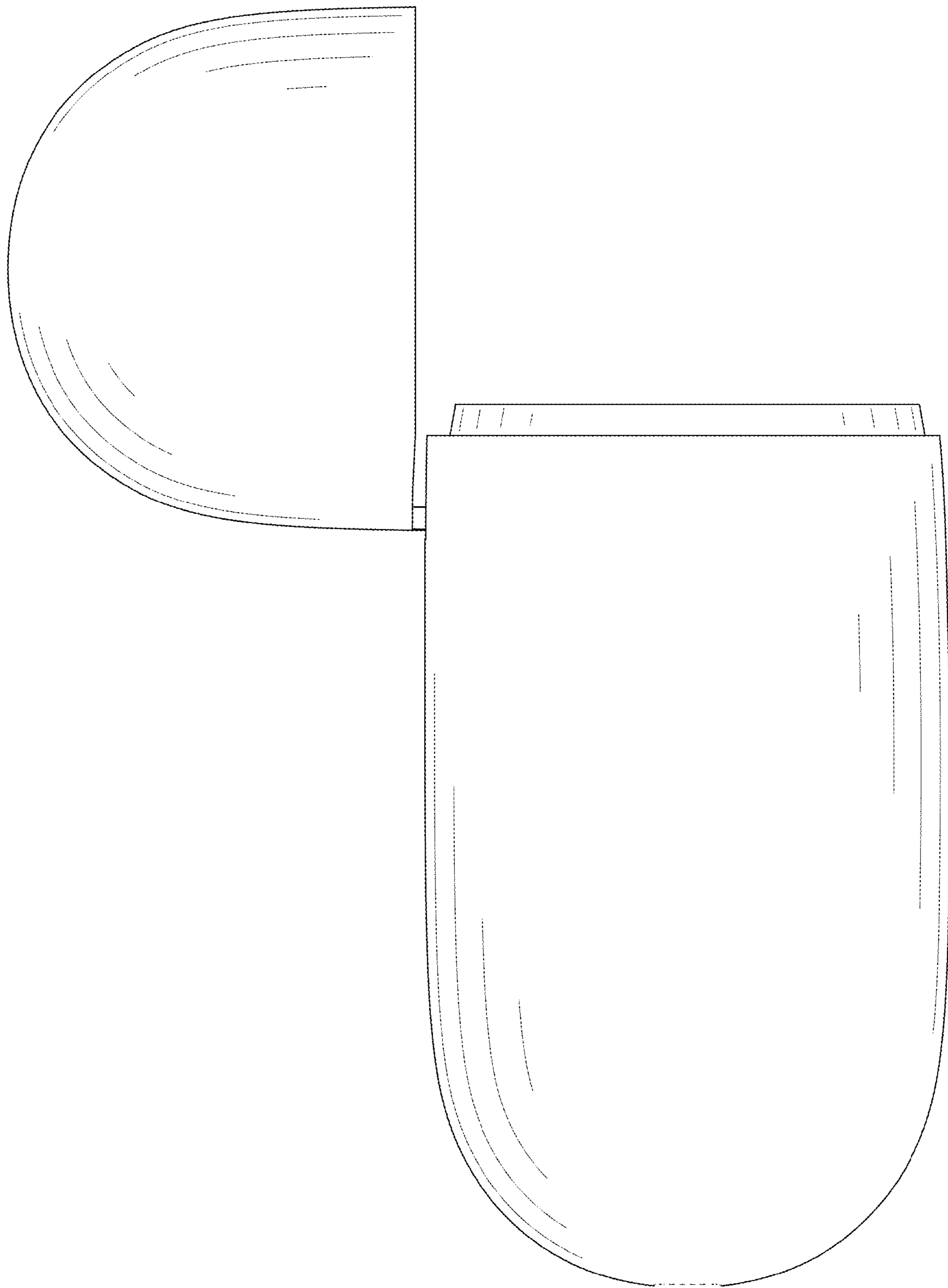


FIG. 13

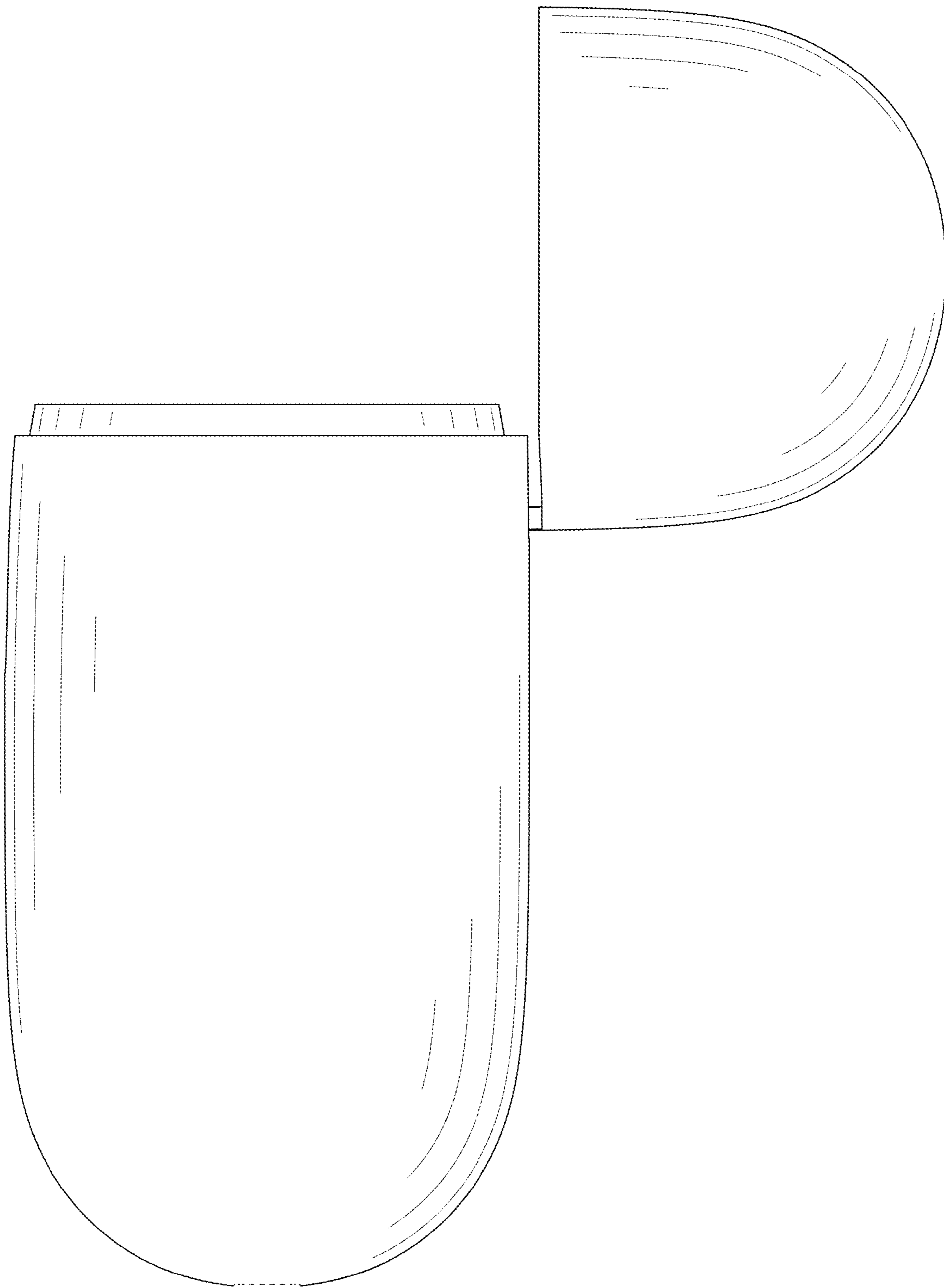


FIG. 14

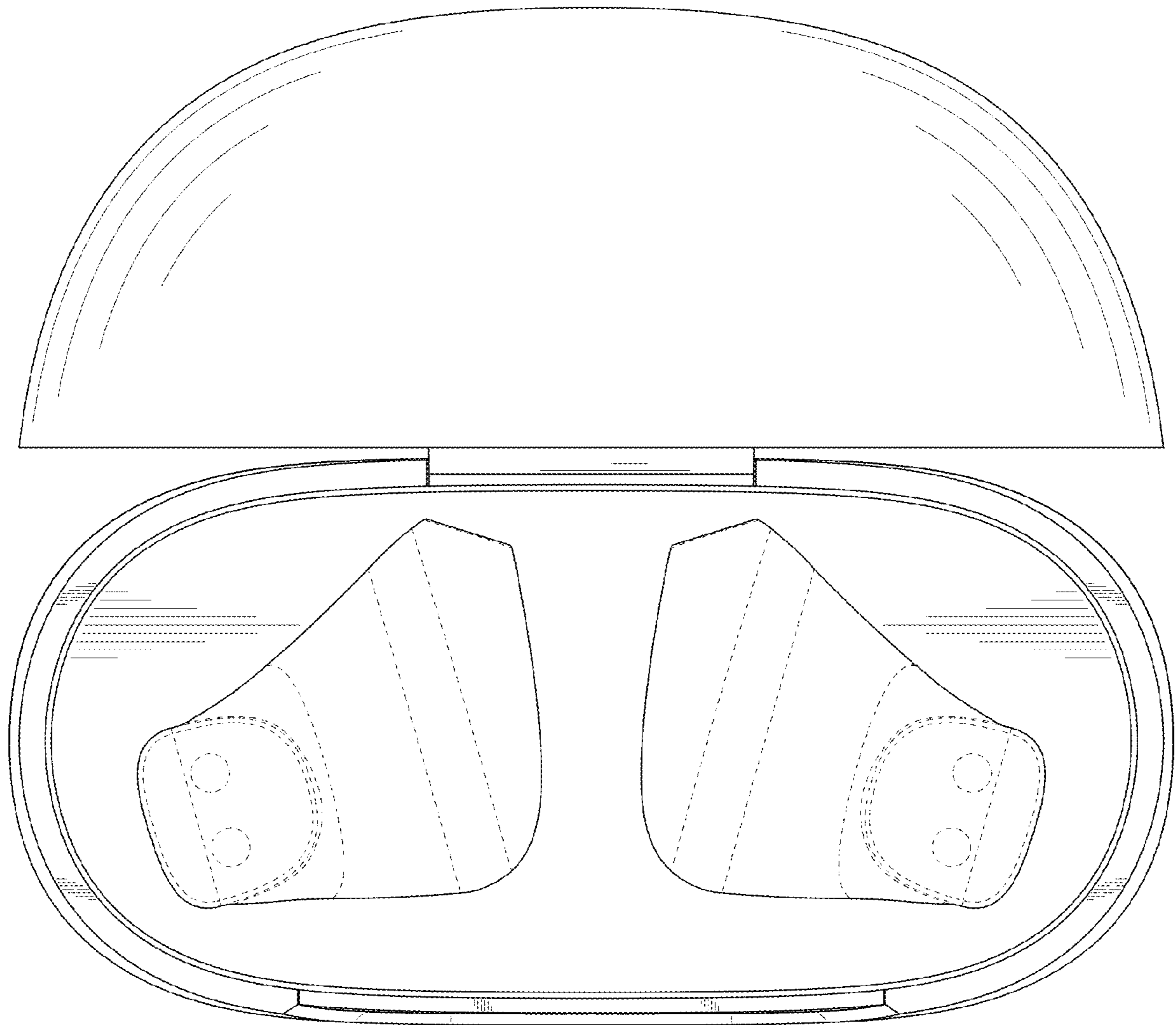


FIG. 15

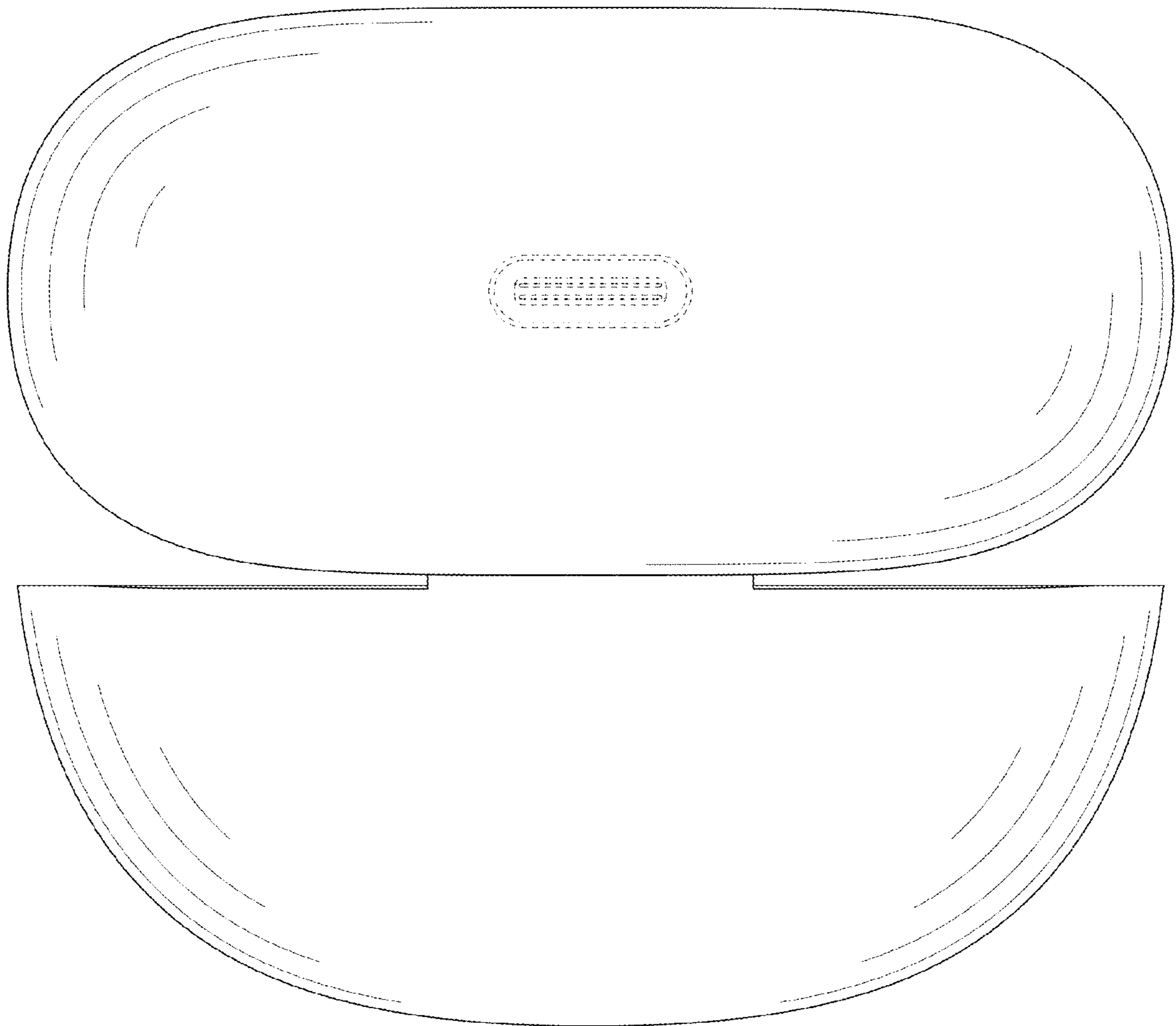


FIG. 16

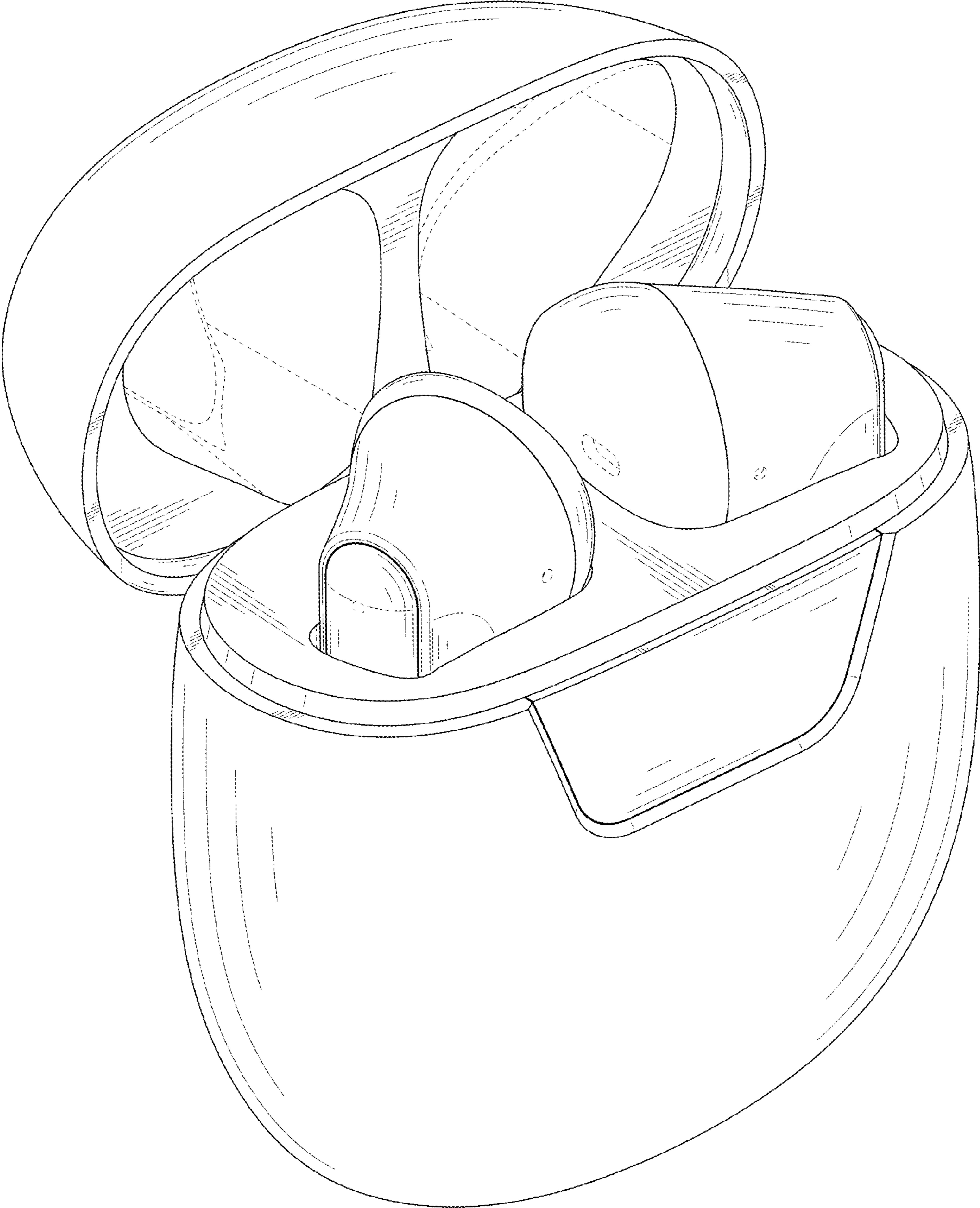


FIG. 17

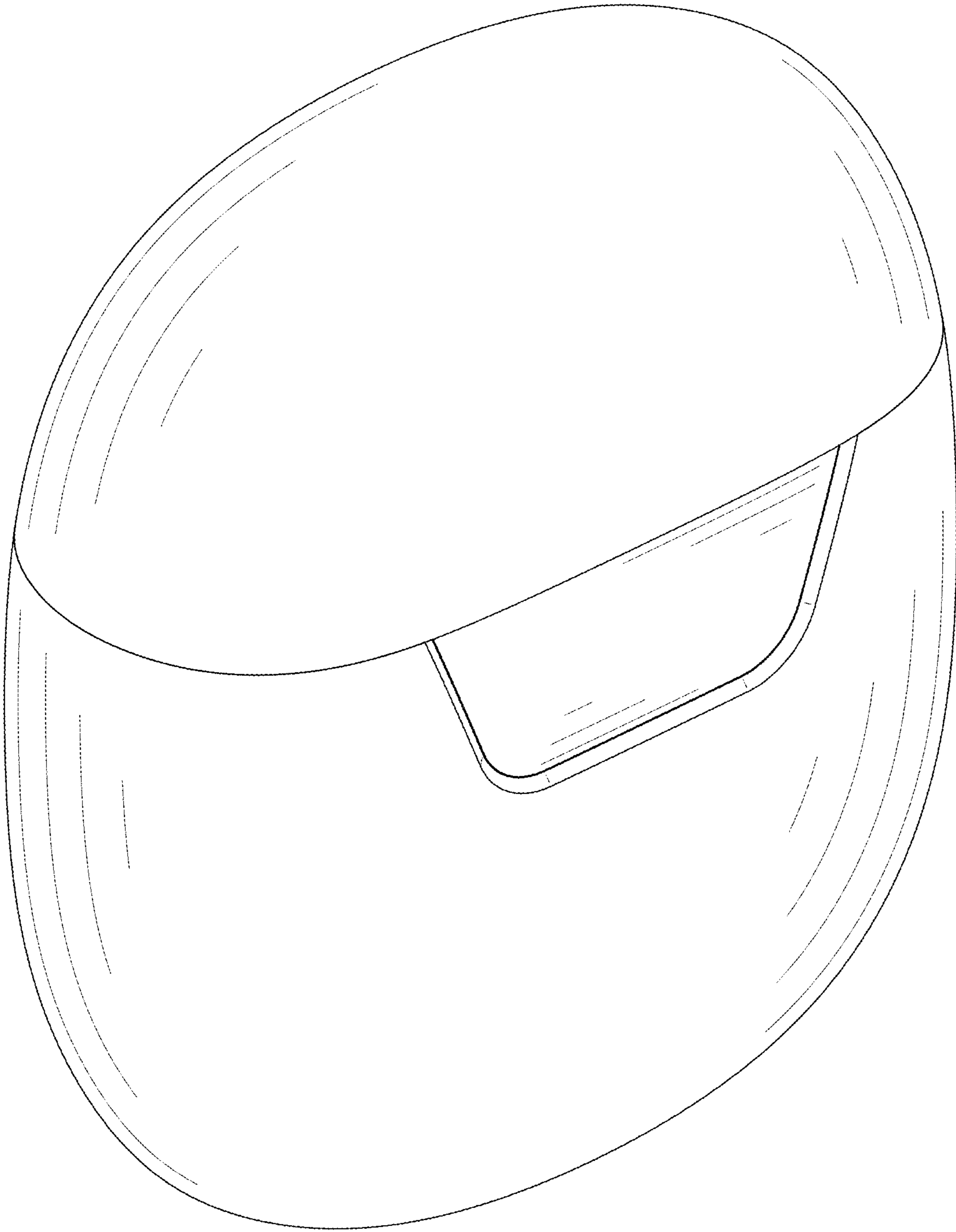


FIG. 18