



US00D986221S

(12) **United States Design Patent**  
**Kim et al.**

(10) **Patent No.:** **US D986,221 S**

(45) **Date of Patent:** **\*\* May 16, 2023**

(54) **DOOR FOR AN INDOOR WALL WITH BUILT-IN HOME APPLIANCES**

(71) Applicant: **LG ELECTRONICS INC.**, Seoul (KR)

(72) Inventors: **Yunjoo Kim**, Seoul (KR); **Kisang Jung**, Seoul (KR); **Hwasuk Shim**, Seoul (KR); **Jaemyo Shim**, Seoul (KR)

(73) Assignee: **LG ELECTRONICS INC.**, Seoul (KR)

(\*\*) Term: **15 Years**

(21) Appl. No.: **29/735,906**

(22) Filed: **May 26, 2020**

(30) **Foreign Application Priority Data**

Nov. 28, 2019 (KR) ..... 30-2019-0057368

(51) **LOC (14) Cl.** ..... **14-01**

(52) **U.S. Cl.**  
USPC ..... **D14/217; D6/703**

(58) **Field of Classification Search**

USPC ..... D6/703, 703.1, 703.2, 703.5, 663, 671, D6/671.1, 671.2, 671.3, 671.4, 675, 332, D6/664; D8/349, 353; D13/162, 164, D13/177, 199; D14/217, 336, 371, 374, D14/389, 432, 433, 434, 258, 128, 204; D23/351-354, 355, 357, 361, 385; D16/241; D25/58, 138, 199

CPC ..... A47B 81/06; A47B 81/061; A47B 81/062; A47B 81/064; A47B 81/067; A47B 81/068; H05B 45/00; H05B 45/10; H05B 45/20; H05B 47/105; H05B 47/11; H05B 47/155; H05B 47/16; H05B 47/175; H05B 47/19; H05B 1/10236; H05B 1/10275; H05B 2203/026; H05K 5/03; H05K 7/00; H05K 7/0004; D06F 39/125

See application file for complete search history.

(56) **References Cited**

U.S. PATENT DOCUMENTS

D261,149 S \* 10/1981 Brooksby ..... D16/241  
D497,147 S \* 10/2004 Izu ..... D14/128  
D938,396 S \* 12/2021 Kim ..... D14/217

(Continued)

FOREIGN PATENT DOCUMENTS

EP 2491819 A1 \* 8/2012 ..... D06F 39/125

*Primary Examiner* — Mimoso De

(74) *Attorney, Agent, or Firm* — Birch, Stewart, Kolasch & Birch, LLP

(57) **CLAIM**

The ornamental design for a door for an indoor wall with built-in home appliances, as shown and described.

**DESCRIPTION**

FIG. 1 is a front perspective view of the door for an indoor wall with built-in home appliances showing our new design;

FIG. 2 is a front view thereof;

FIG. 3 is a rear view thereof;

FIG. 4 is a left side view thereof where the right side view is a mirror image;

FIG. 5 is a top plan view thereof;

FIG. 6 is a bottom plan view thereof;

FIG. 7 is a reference view showing the state of use that the claimed design has attached to the indoor wall with built-in home appliances; and,

FIG. 8 is a reference view showing the state of use that the claimed design is attached to the indoor wall with built-in home appliances and the door cover for an indoor wall is attached to the claimed design.

The portions of FIG. 7 and FIG. 8 drawn in broken lines show environmental structure only and form no part of the claimed design.

The portions of FIG. 7 and FIG. 8 drawn in broken lines show environmental structure only and form no part of the claimed design.

The portions of FIG. 7 and FIG. 8 drawn in broken lines show environmental structure only and form no part of the claimed design.

The portions of FIG. 7 and FIG. 8 drawn in broken lines show environmental structure only and form no part of the claimed design.

The portions of FIG. 7 and FIG. 8 drawn in broken lines show environmental structure only and form no part of the claimed design.

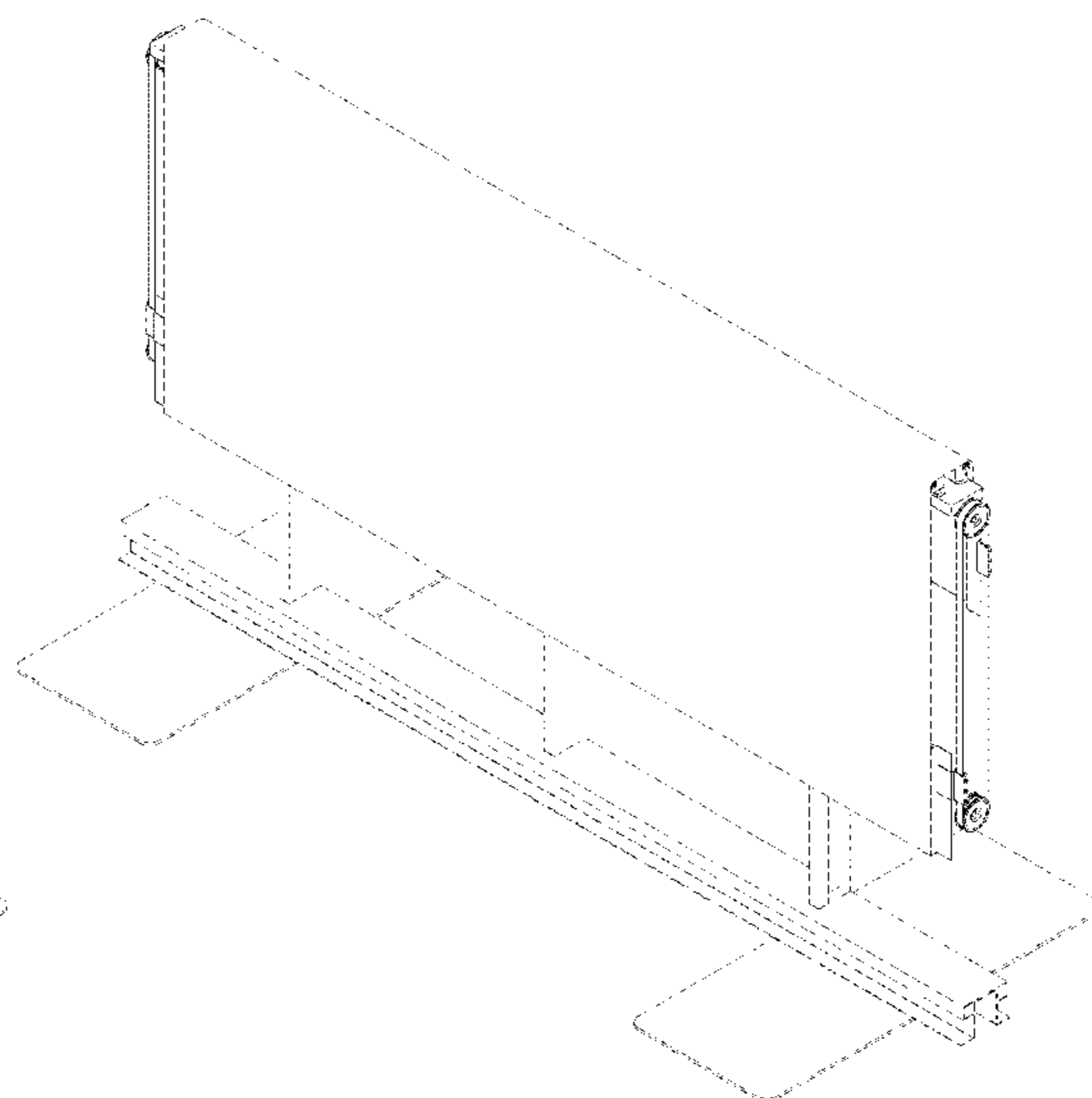
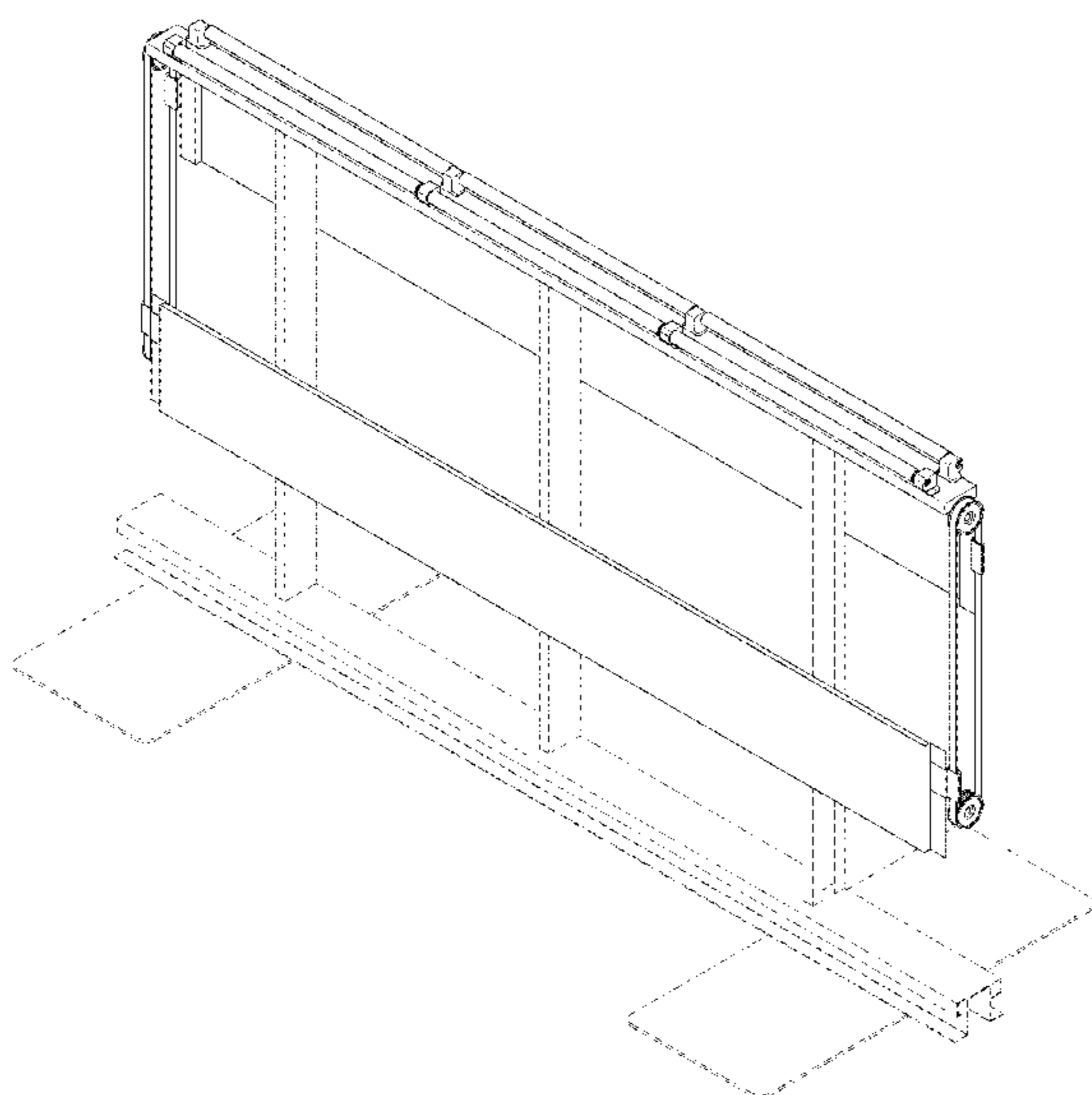
The portions of FIG. 7 and FIG. 8 drawn in broken lines show environmental structure only and form no part of the claimed design.

The portions of FIG. 7 and FIG. 8 drawn in broken lines show environmental structure only and form no part of the claimed design.

The portions of FIG. 7 and FIG. 8 drawn in broken lines show environmental structure only and form no part of the claimed design.

The portions of FIG. 7 and FIG. 8 drawn in broken lines show environmental structure only and form no part of the claimed design.

**1 Claim, 8 Drawing Sheets**



(56)

**References Cited**

U.S. PATENT DOCUMENTS

D939,472 S \* 12/2021 Kim ..... D14/217  
D939,473 S \* 12/2021 Kim ..... D14/217  
D941,268 S \* 1/2022 Kim ..... D14/217  
2004/0221775 A1\* 11/2004 Okninski ..... A47B 81/064  
108/147  
2008/0264308 A1\* 10/2008 Wu ..... A47B 81/064  
108/147

\* cited by examiner

FIG. 1

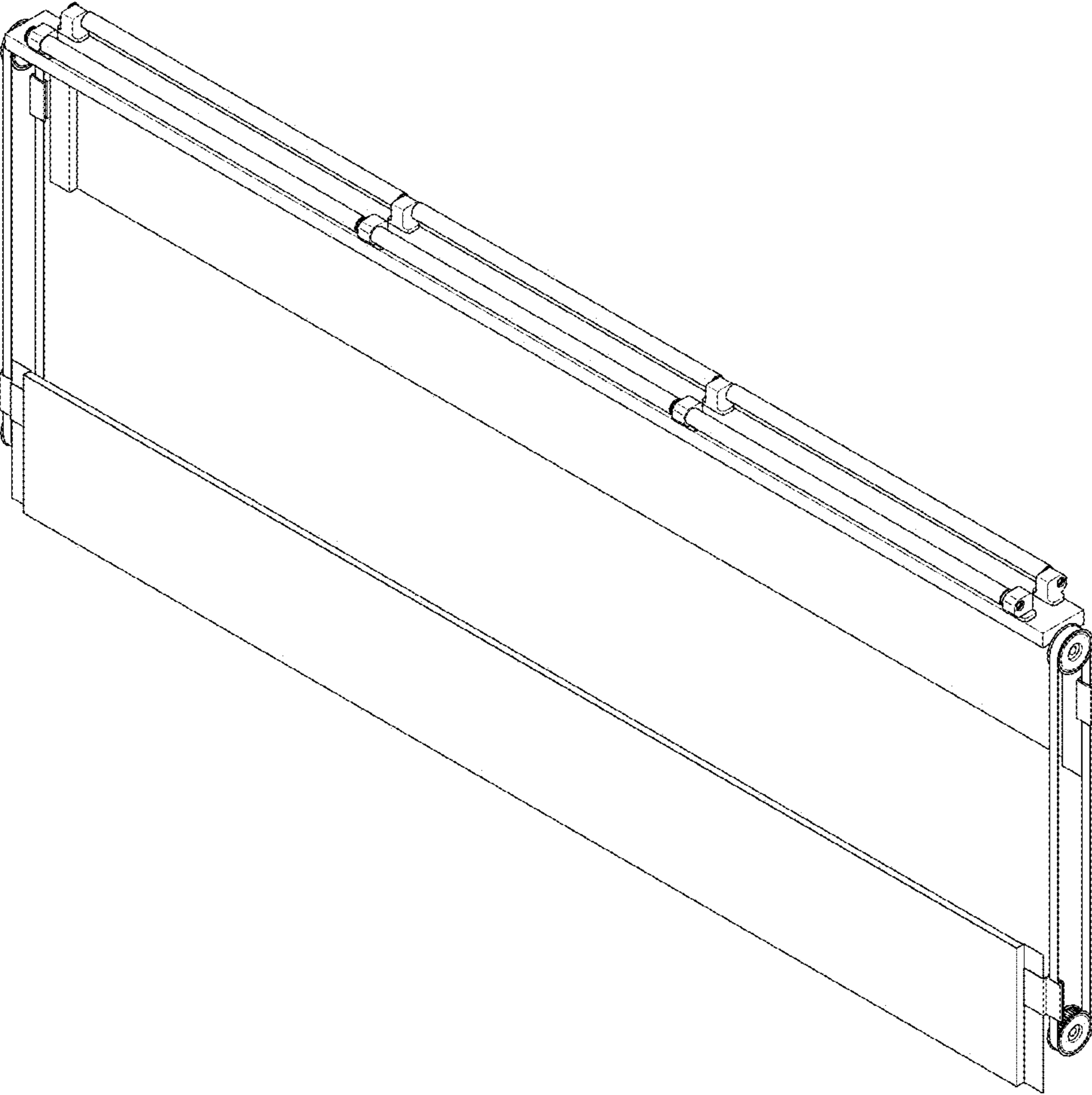


FIG. 2

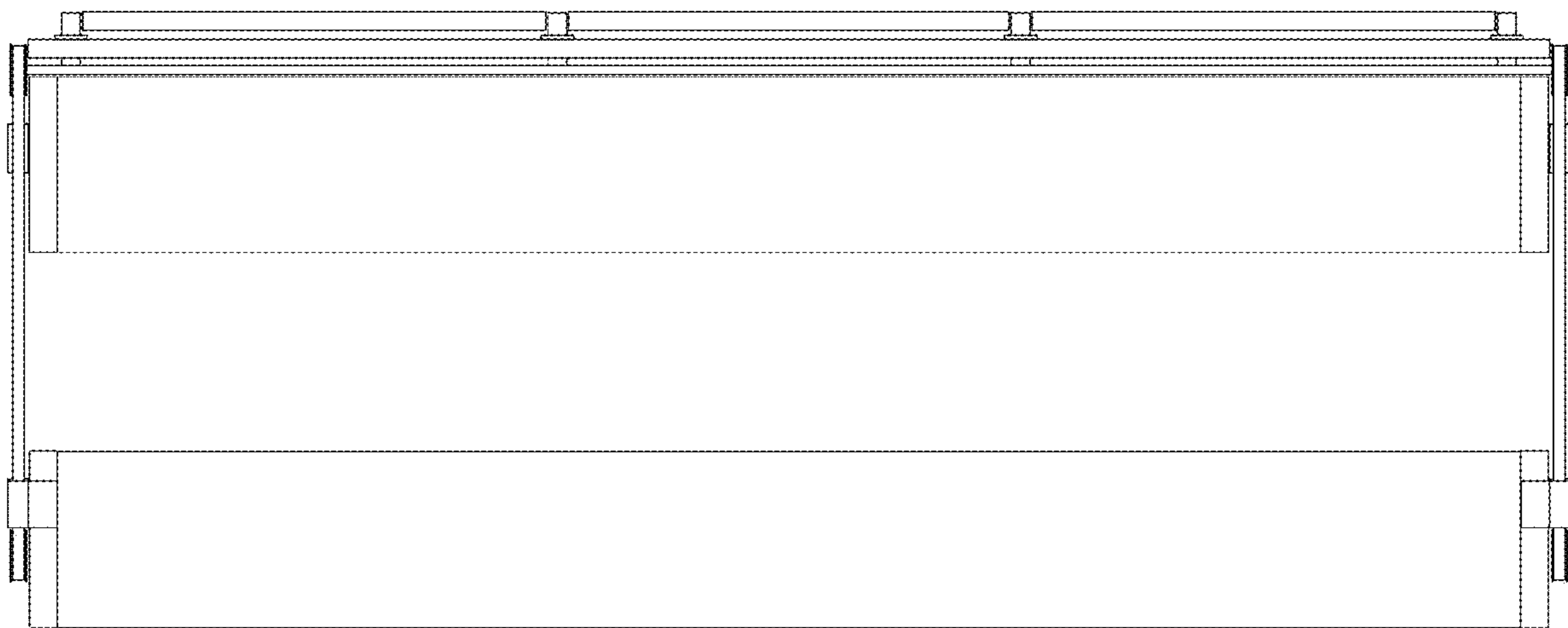


FIG. 3

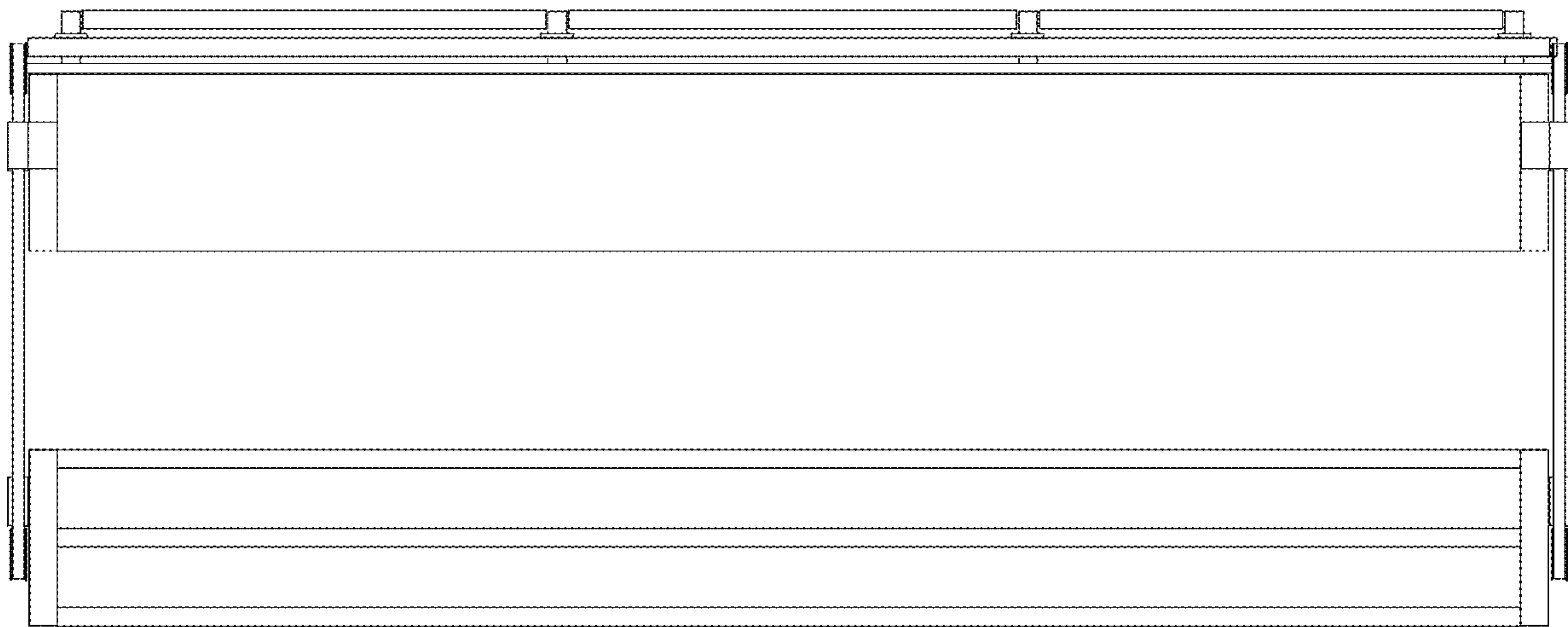


FIG. 4

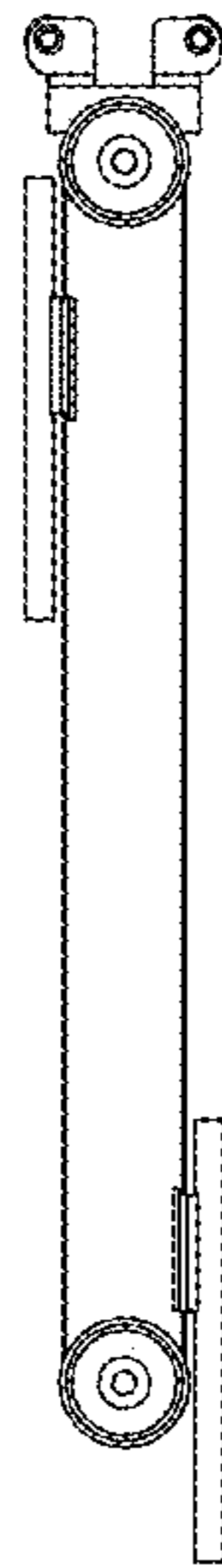


FIG. 5

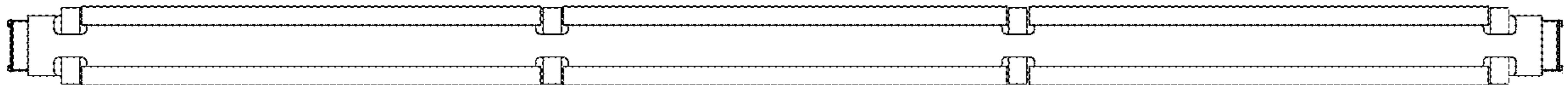


FIG. 6





FIG. 7

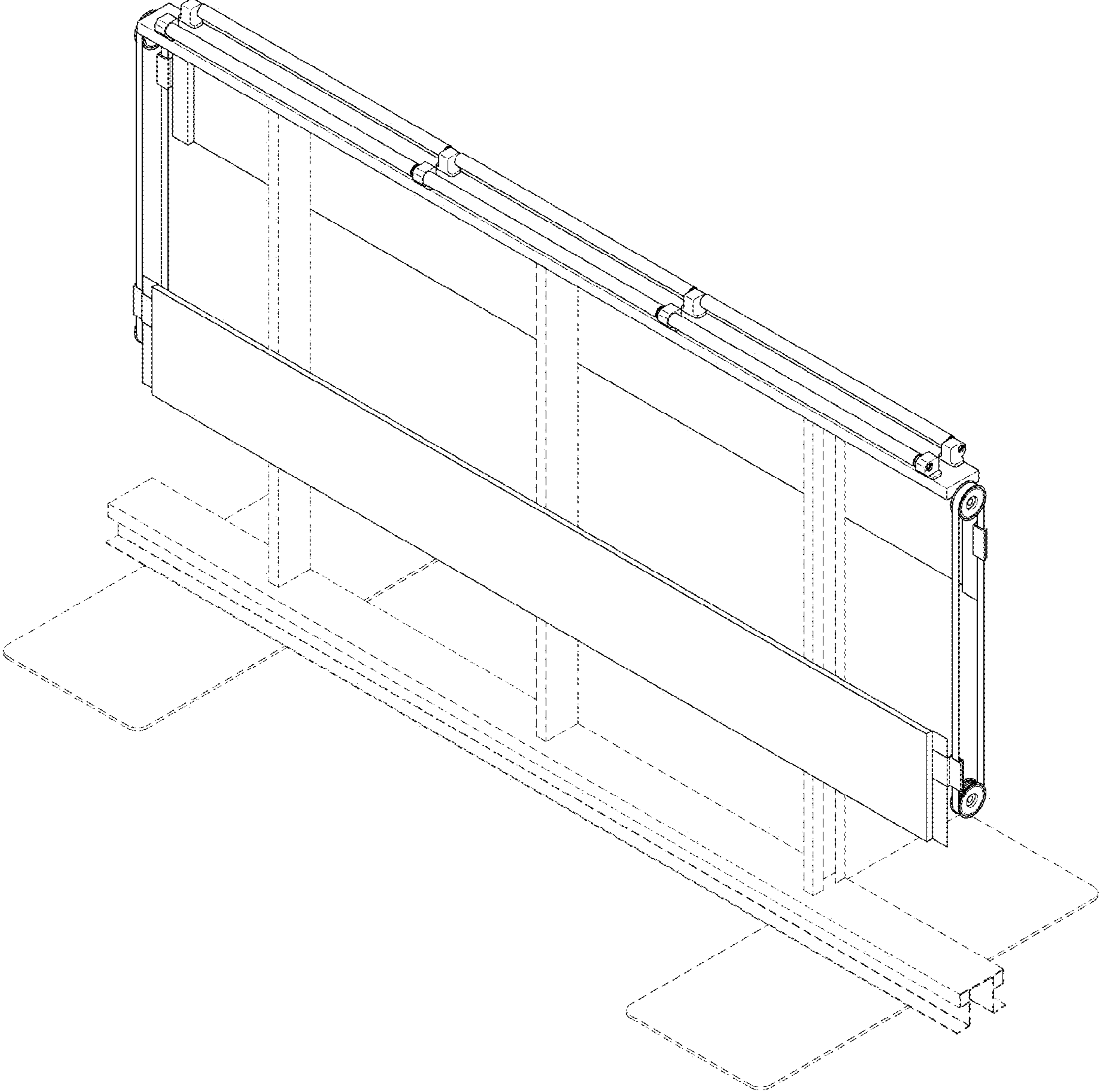


FIG. 8

