



US00D986218S

(12) **United States Design Patent** (10) **Patent No.:** **US D986,218 S**
Heil et al. (45) **Date of Patent:** **** May 16, 2023**

(54) **LOUDSPEAKER**

(56) **References Cited**

(71) Applicant: **L-ACOUSTICS**, Marcoussis (FR)

U.S. PATENT DOCUMENTS

(72) Inventors: **Christian Heil**, Londres (GB);
Christophe Combet, Antony (FR);
Régis Fouche, Paris (FR)

D381,989 S *	8/1997	Chang	D14/214
D450,778 S *	11/2001	Engbretson	D14/221
D500,025 S *	12/2004	Vincenot	D14/215
D642,555 S *	8/2011	Hawkins	D14/214
D654,474 S *	2/2012	Hawkins	D14/214
D654,906 S *	2/2012	Warden	D14/214
D687,814 S *	8/2013	Lum	D14/214
D689,042 S *	9/2013	Lum	D14/221
D752,015 S *	3/2016	Spillmann	D14/204
D780,158 S *	2/2017	Andrews	D14/210
D780,159 S *	2/2017	Andrews	D14/210
D784,954 S *	4/2017	Warden	D14/204
D848,972 S *	5/2019	Aikawa	D14/204
D881,158 S *	4/2020	Eckstein	D14/214
D944,770 S *	3/2022	Combet	D14/204
D944,771 S *	3/2022	Combet	D14/204

(**) Term: **15 Years**

(21) Appl. No.: **35/512,712**

(22) Filed: **Sep. 30, 2021**

(80) **Hague Agreement Data**

Int. Filing Date: **Sep. 30, 2021**

Int. Reg. No.: **DM/216626**

Int. Reg. Date: **Sep. 30, 2021**

Int. Reg. Pub. Date: **Oct. 15, 2021**

(51) **LOC (14) Cl.** **14-01**

(52) **U.S. Cl.**
USPC **D14/210**

(58) **Field of Classification Search**
USPC D14/167, 168, 170-172, 188, 194-196,
D14/203.1, 203.3, 204, 207, 209.1,
D14/210-217, 219, 221, 222, 224, 224.1,
D14/238, 299, 356, 365, 496; 181/148,
181/199; 381/332-333, 336, 345;
D16/202-208
CPC H04R 2201/021; H04R 2400/00; H04R
2499/11; H04R 1/02; H04R 1/06; H04R
1/021; H04R 1/023; H04R 1/025; H04R
1/026; H04R 1/323; H04R 1/403; H04R
1/2803; H04R 1/2834; H04R 5/00; H04R
5/02

See application file for complete search history.

* cited by examiner

Primary Examiner — Khawaja Anwar
Assistant Examiner — Megan Tiana Rakos

(57) **CLAIM**

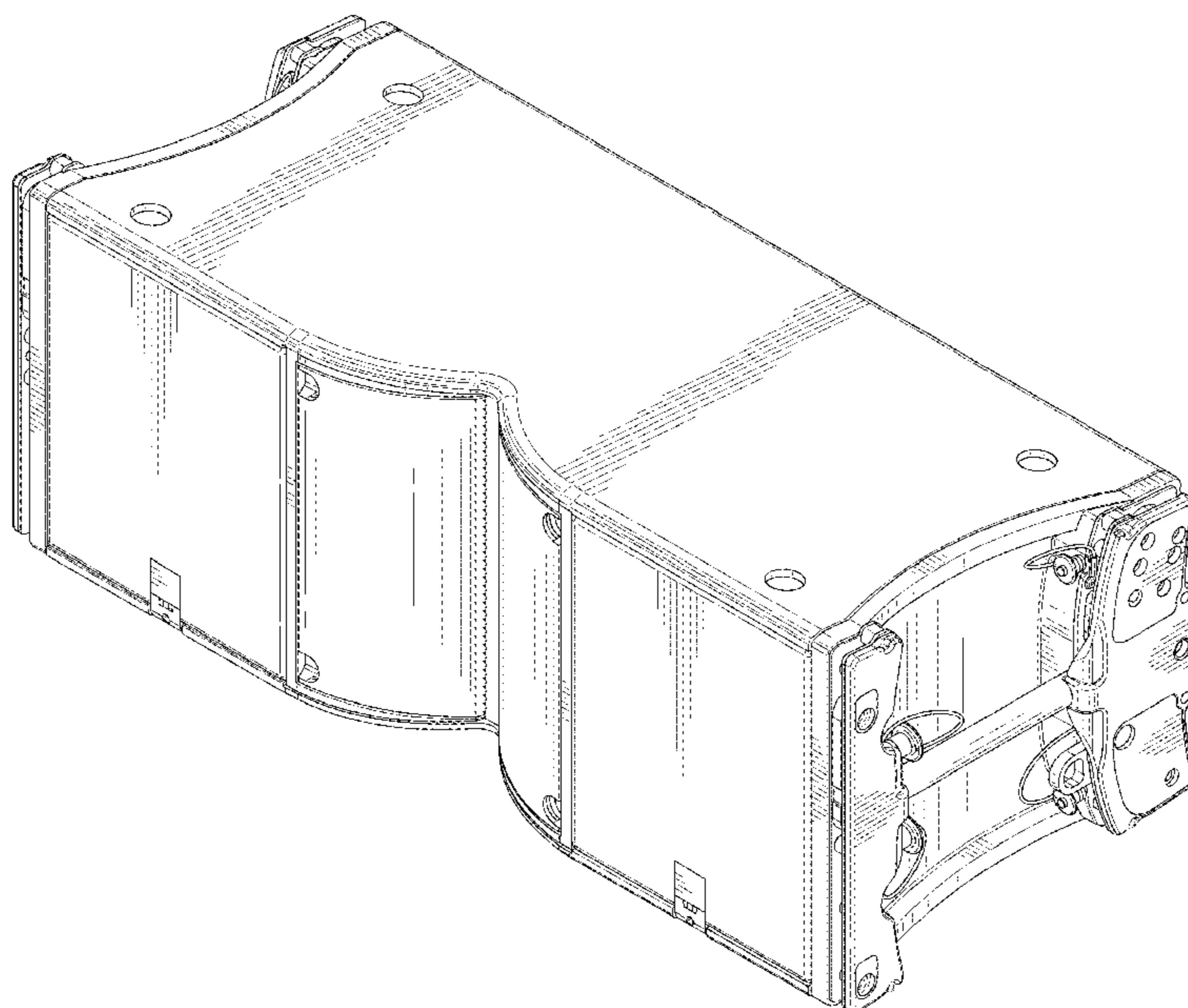
The ornamental design for a loudspeaker, as shown and described.

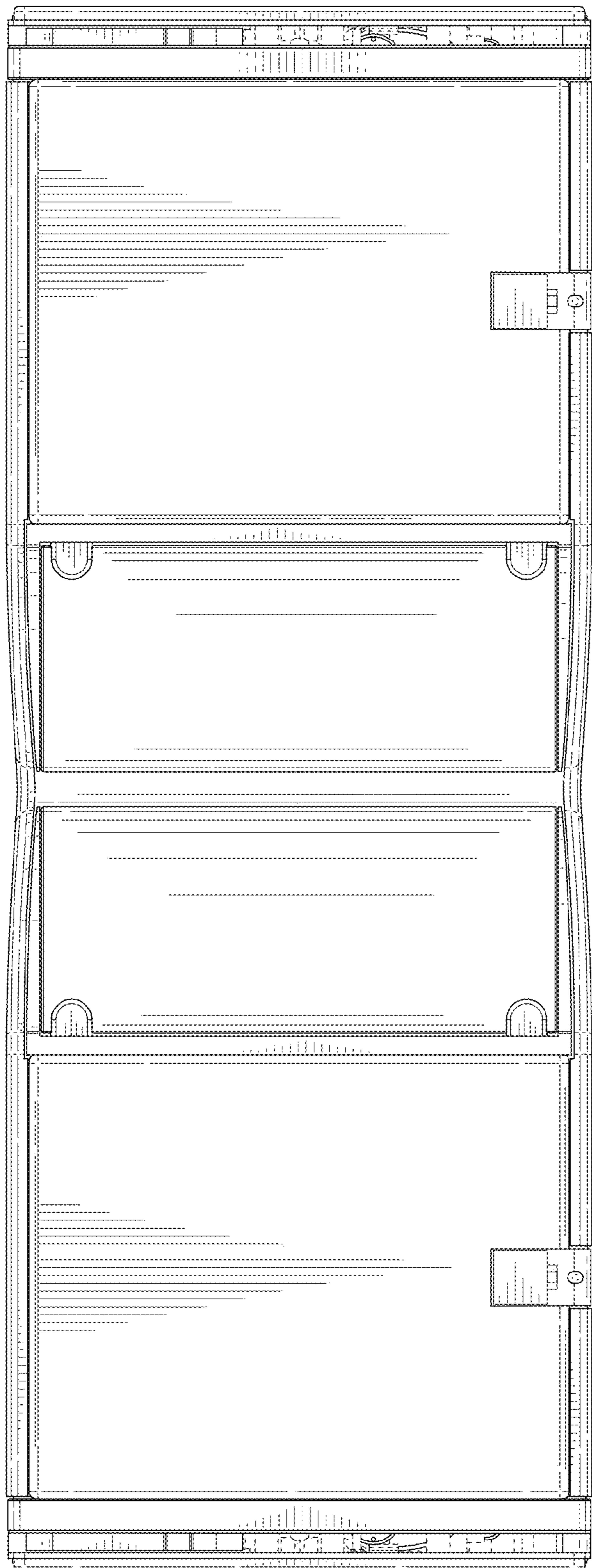
DESCRIPTION

- 1. Loudspeaker
- 1.1 : Front
- 1.2 : Perspective
- 1.3 : Back
- 1.4 : Top
- 1.5 : Bottom
- 1.6 : Right
- 1.7 : Left

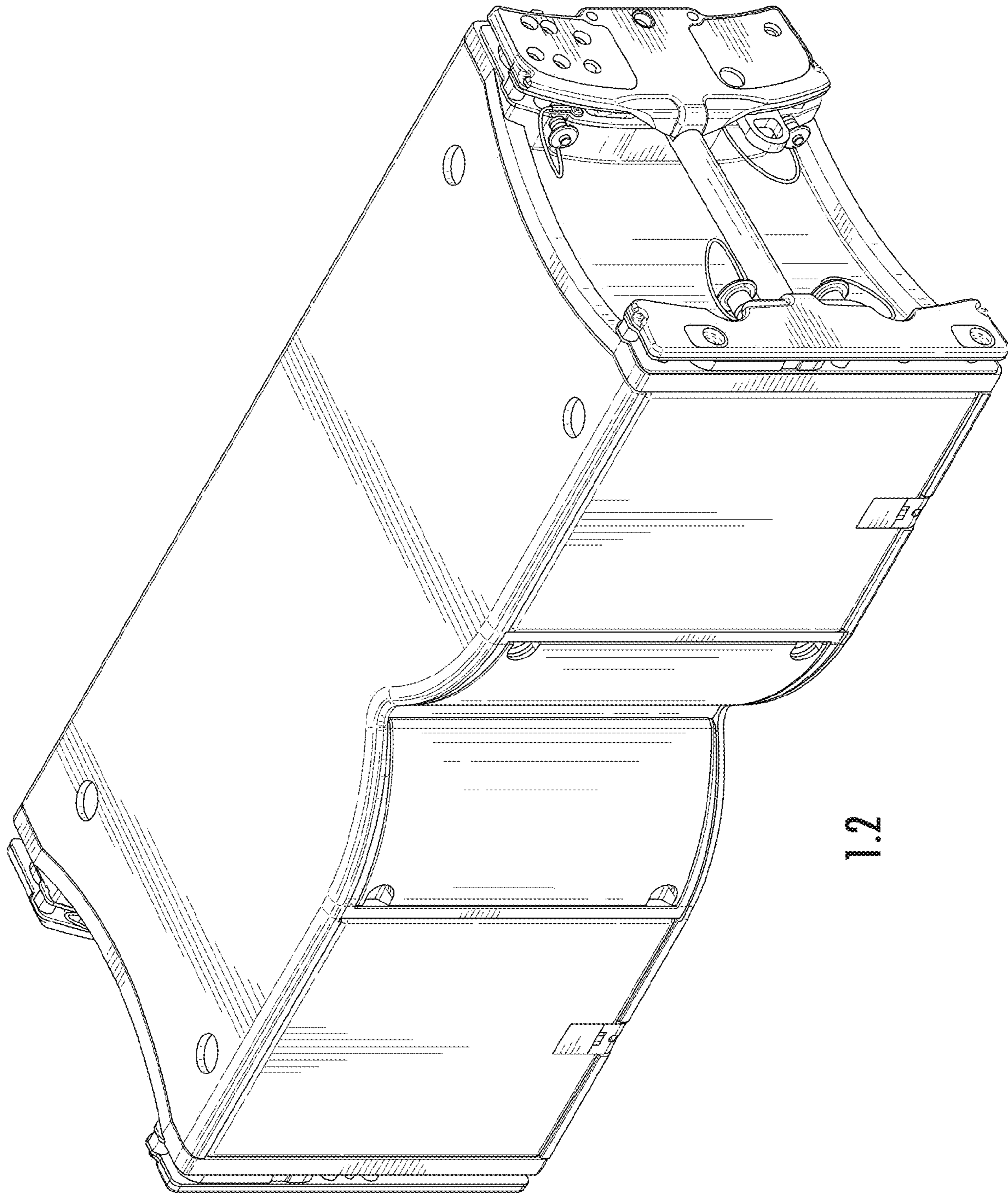
The broken lines in the drawings indicate portions of the loudspeaker which form no part of the claimed design.

1 Claim, 7 Drawing Sheets

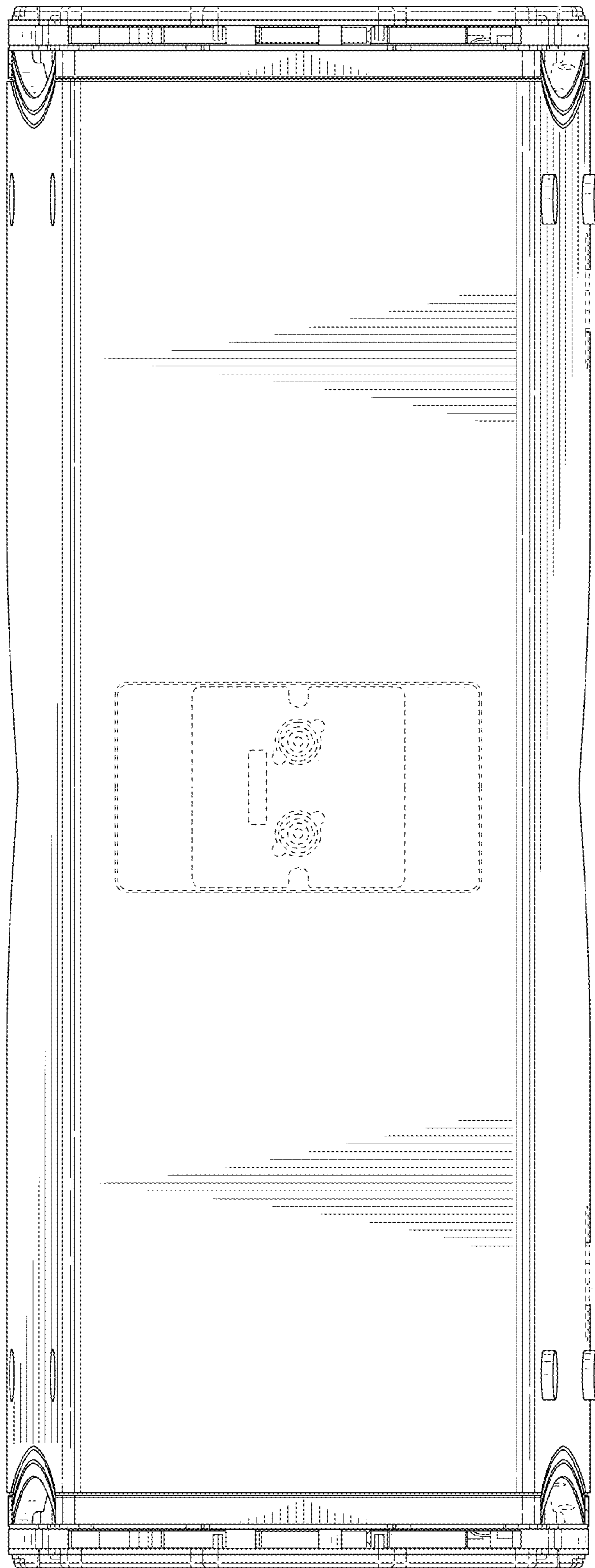




gooooooooo
o
gooooooooo



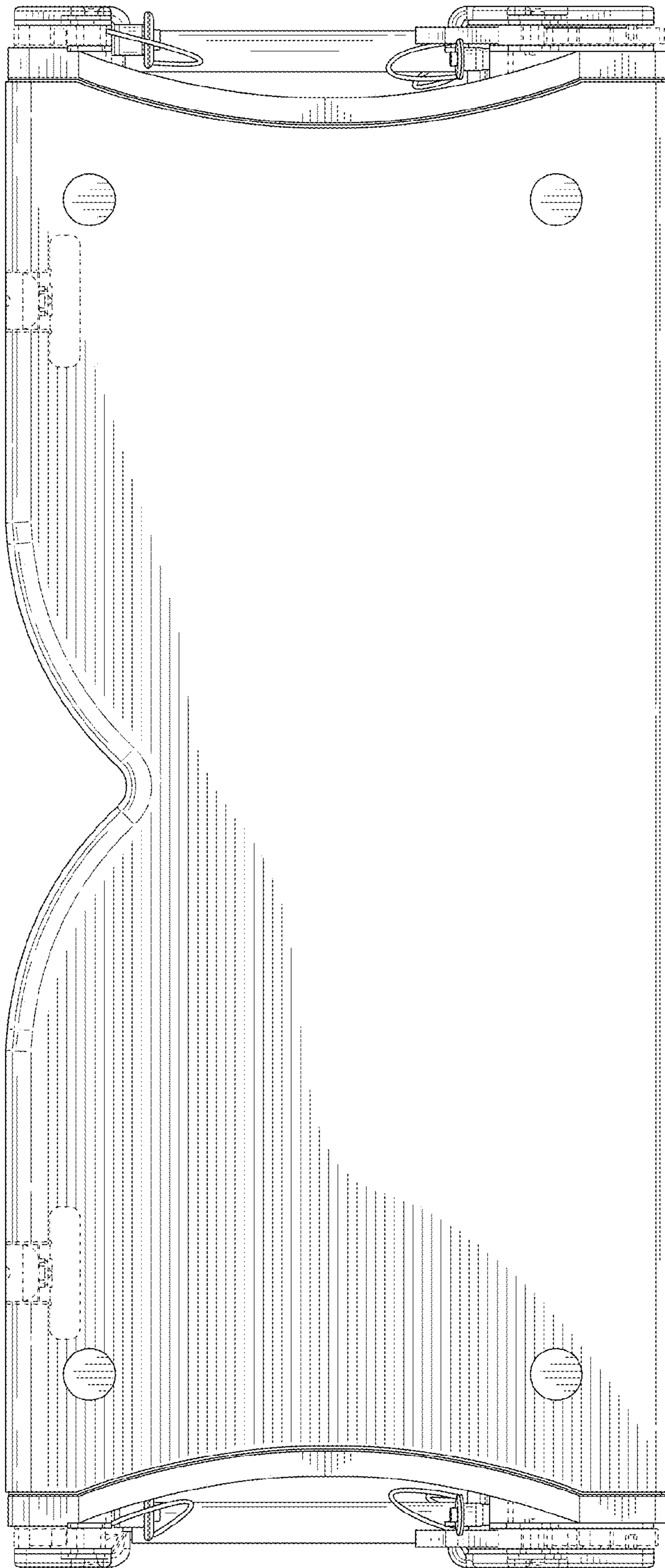
1.2



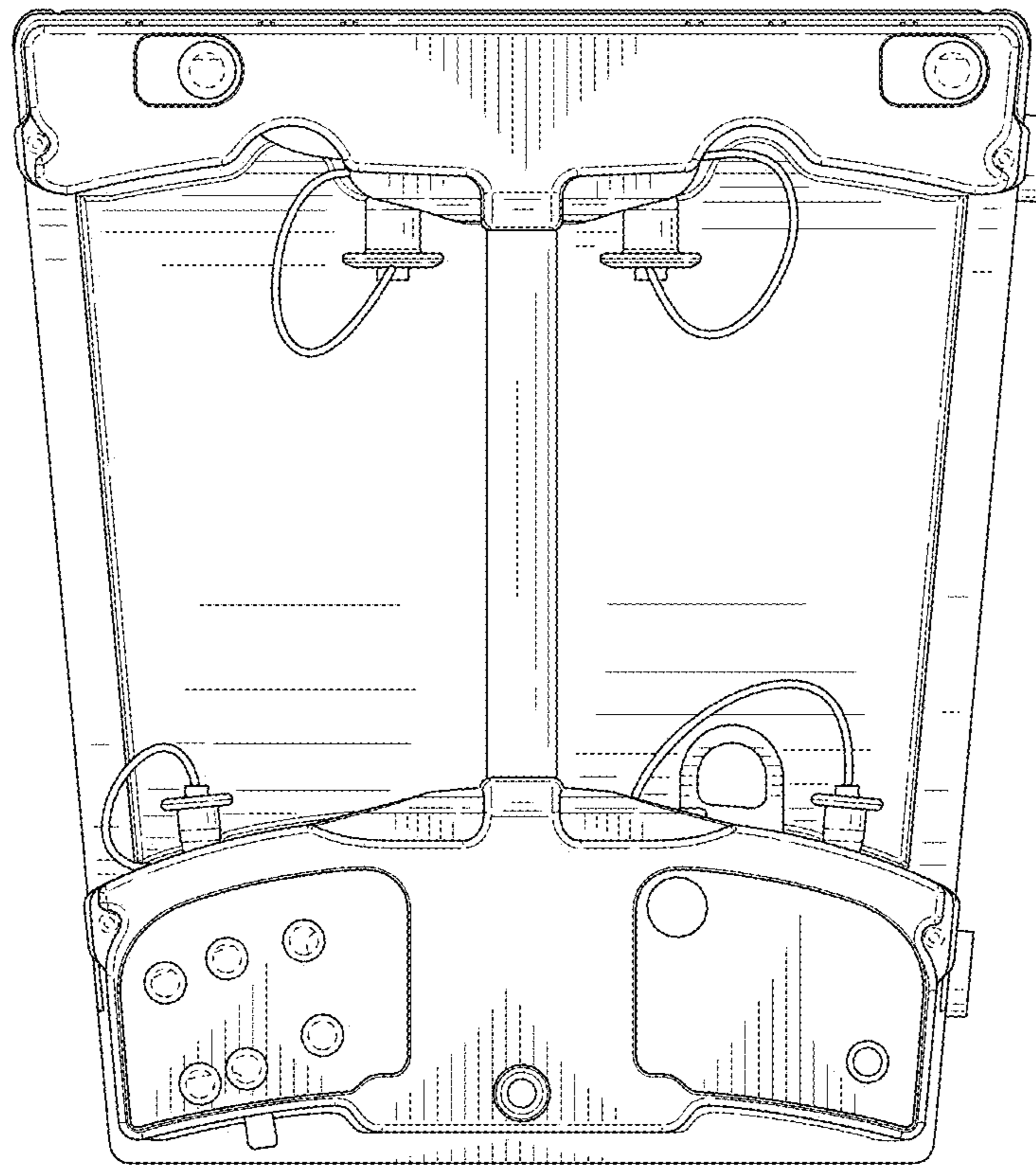
1.3



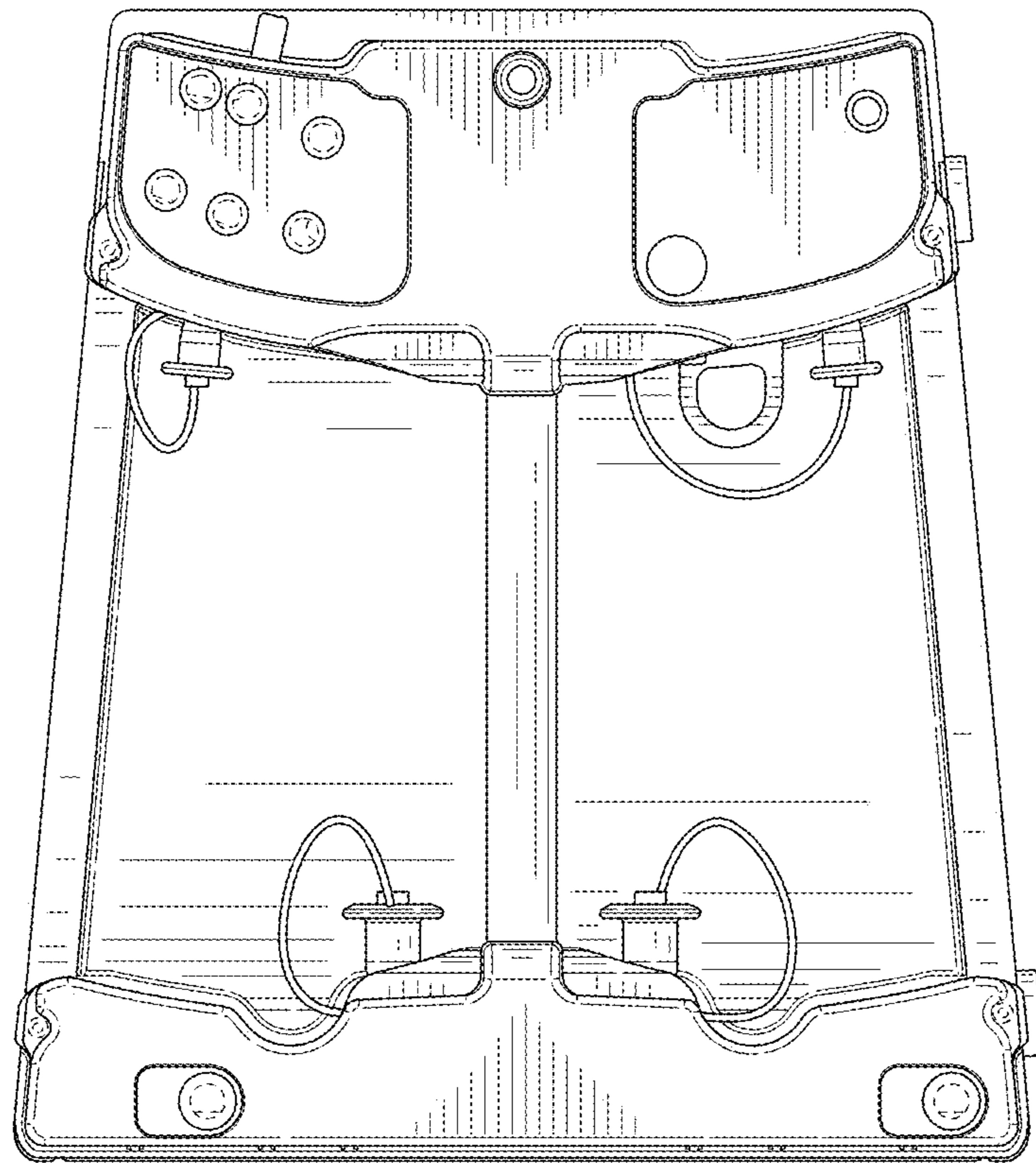
1.4



1.5



16



17