



US00D986217S

(12) **United States Design Patent**
Zhang

(10) **Patent No.:** **US D986,217 S**

(45) **Date of Patent:** **** May 16, 2023**

(54) **HEADSET**

(71) Applicant: **Caiqiang Zhang**, Guangdong (CN)

(72) Inventor: **Caiqiang Zhang**, Guangdong (CN)

(**) Term: **15 Years**

(21) Appl. No.: **29/796,916**

(22) Filed: **Jun. 28, 2021**

(30) **Foreign Application Priority Data**

Jun. 7, 2021 (EM) 008568950-0002

(51) **LOC (14) Cl.** **14-01**

(52) **U.S. Cl.**
USPC **D14/206**; D14/226

(58) **Field of Classification Search**
USPC D14/206, 226, 188, 192; D29/112;
2/209; 381/380-381, 374; 362/105
CPC H04R 25/00; H04R 25/02; H04R 1/1066;
H04R 1/1016; H04R 5/033; H04R
5/0335; H04R 19/04; H04R 11/04; H04R
1/08; F21V 33/0056
See application file for complete search history.

(56) **References Cited**

U.S. PATENT DOCUMENTS

- D297,324 S * 8/1988 Kohno D14/205
- D316,861 S * 5/1991 Yoda D14/205
- D321,879 S * 11/1991 Emmerling D14/188
- D411,200 S * 6/1999 Almqvist D29/112
- D439,574 S * 3/2001 Katayama D14/203.5
- D467,895 S * 12/2002 Hirano D14/192
- D491,163 S * 6/2004 Green D14/205
- 7,106,873 B1 * 9/2006 Harrison H04R 25/48
381/381
- D530,306 S * 10/2006 Wang D14/188
- D538,261 S * 3/2007 Taylor D14/205
- D541,255 S * 4/2007 Taylor D14/205

- D583,800 S * 12/2008 Jaakkola D14/205
- D592,182 S * 5/2009 Sanguinetti D14/205
- D592,640 S * 5/2009 Tkachuk D14/205
- D637,176 S * 5/2011 Brunner D14/205
- D641,727 S * 7/2011 Krauss D14/206
- D652,017 S * 1/2012 Groves D14/206
- D673,519 S * 1/2013 Tan D14/205

(Continued)

FOREIGN PATENT DOCUMENTS

- CN 306161753 * 11/2020
- CN 306278857 * 1/2021

(Continued)

Primary Examiner — Paula Allen Greene

(74) *Attorney, Agent, or Firm* — Georgi Korobanov

(57) **CLAIM**

The ornamental design for a headset, as shown and described.

DESCRIPTION

FIG. 1 is a front, right, and top perspective view of a headset, showing my design.

FIG. 2 is a rear, left, and bottom perspective view thereof.

FIG. 3 is a front elevation view thereof.

FIG. 4 is a rear elevation view thereof.

FIG. 5 is a left side elevation view thereof.

FIG. 6 is a right side elevation view thereof.

FIG. 7 is a top plan view thereof.

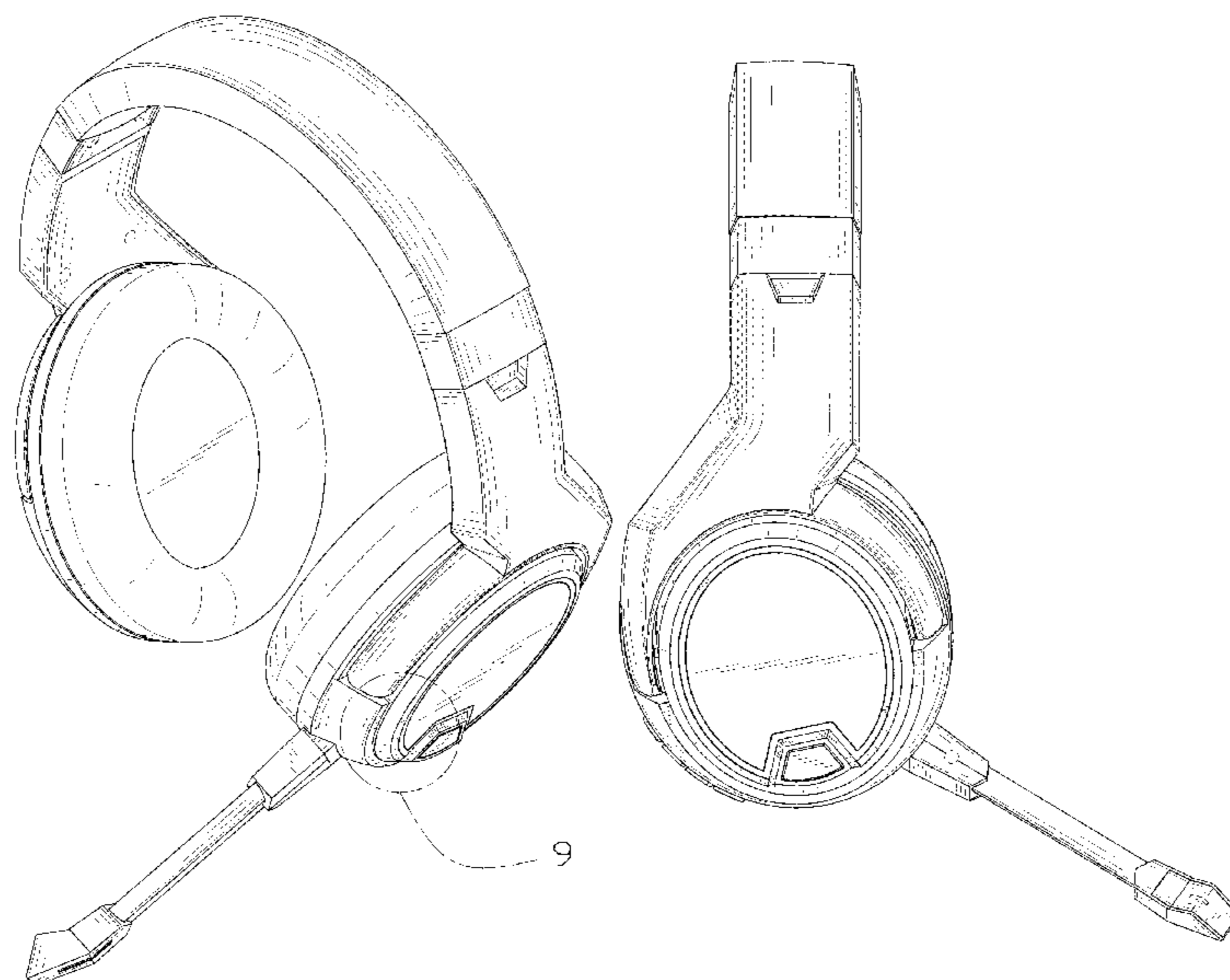
FIG. 8 is a bottom plan view thereof; and,

FIG. 9 is a partial enlarged view of an area labeled 9 in FIG. 1 comprising a right part.

The dot dash broken lines encircling portions of the headset in FIG. 1 and illustrated in the enlarged view of FIG. 9 form no part of the claimed design.

The broken lines shown in the drawings are included for the purpose of illustrating portions of the headset that form no part of the claimed design.

1 Claim, 9 Drawing Sheets



(56)

References Cited

U.S. PATENT DOCUMENTS

D691,109 S * 10/2013 Hardi D14/205
 D691,582 S * 10/2013 Nguyen H04R 1/1008
 D691,984 S * 10/2013 Wang D14/205
 D708,163 S * 7/2014 Ishikura D14/205
 8,767,996 B1 * 7/2014 Lin H04R 1/1091
 D722,302 S * 2/2015 Lee D14/205
 D727,286 S * 4/2015 Galler D14/205
 D733,677 S * 7/2015 Ling D14/206
 D740,256 S * 10/2015 Carr D14/206
 D741,286 S * 10/2015 Brennwald D14/205
 D772,842 S * 11/2016 Sharp D14/205
 D777,701 S * 1/2017 Czaniecki D14/205
 D778,258 S * 2/2017 Hsu D14/205
 D812,588 S * 3/2018 Levine D14/225
 D815,614 S * 4/2018 Tzeng D14/206
 D820,813 S * 6/2018 Sharp D14/206
 D830,993 S * 10/2018 Petersen D14/205
 D832,813 S * 11/2018 Levine D14/205
 D836,084 S * 12/2018 Xie D14/205
 D838,687 S * 1/2019 Wu D14/205
 D840,370 S * 2/2019 Kelly D14/205
 D840,373 S * 2/2019 Lee D14/206
 D841,617 S * 2/2019 Mei D14/205
 D853,988 S * 7/2019 Wang D14/206
 D856,968 S * 8/2019 Tang D14/206
 D856,970 S * 8/2019 Tang D14/206
 D857,656 S * 8/2019 Ipsen D14/206
 D864,155 S * 10/2019 Liu D14/206
 D868,734 S * 12/2019 Wang D14/206
 D875,067 S * 2/2020 Tsubone D14/205
 D880,450 S * 4/2020 Liu D14/206
 D883,949 S * 5/2020 Hu D14/205
 D888,008 S * 6/2020 Yook D14/205
 D889,402 S * 7/2020 Lim D13/108
 D893,454 S * 8/2020 Li D14/206
 D899,402 S * 10/2020 Shen D14/206
 D901,436 S * 11/2020 Peng D14/205
 D905,001 S * 12/2020 Enqvist D14/205

D908,110 S * 1/2021 Zhou D14/206
 D908,663 S * 1/2021 Tamamura D14/205
 D909,337 S * 2/2021 Liu D14/206
 D916,681 S * 4/2021 He D14/206
 D920,283 S * 5/2021 Levine D14/205
 D922,983 S * 6/2021 Fustino D14/223
 D931,831 S * 9/2021 Liu D14/206
 D935,400 S * 11/2021 Zhang D13/108
 D935,441 S * 11/2021 Liu D14/206
 D935,442 S * 11/2021 Liu D14/206
 D937,808 S * 12/2021 Liu D14/206
 D940,100 S * 1/2022 Xie D14/206
 D941,802 S * 1/2022 He D14/206
 D941,803 S * 1/2022 He D14/206
 D945,394 S * 3/2022 Zhu D14/206
 D947,810 S * 4/2022 Chen D14/206
 D947,811 S * 4/2022 Chen D14/206
 D948,474 S * 4/2022 Zhou D14/206
 D951,909 S * 5/2022 He D14/206
 D952,601 S * 5/2022 Chen D14/206
 D953,292 S * 5/2022 Zhang D14/206
 D968,359 S * 11/2022 De D14/206
 2009/0002616 A1 * 1/2009 Shibue C09K 19/2007
 349/123
 2010/0040252 A1 * 2/2010 Thompson H04R 1/083
 381/375
 2011/0194721 A1 * 8/2011 Schmidt H04R 19/04
 381/370
 2016/0286019 A1 * 9/2016 Broadley H04M 1/72409
 2018/0268834 A1 * 9/2018 Krasnov G10L 25/48
 2019/0394554 A1 * 12/2019 Lee H01M 10/46
 2022/0386008 A1 * 12/2022 Okada H04R 1/1008
 2022/0407985 A1 * 12/2022 Mai H04R 1/08

FOREIGN PATENT DOCUMENTS

CN 306350598 * 2/2021
 CN 306991967 * 12/2021
 EM 008084792-0001 * 8/2020
 EM 008568950-0001 * 6/2021
 EM 008568950-0002 * 6/2021
 EM 008831416-0001 * 1/2022

* cited by examiner

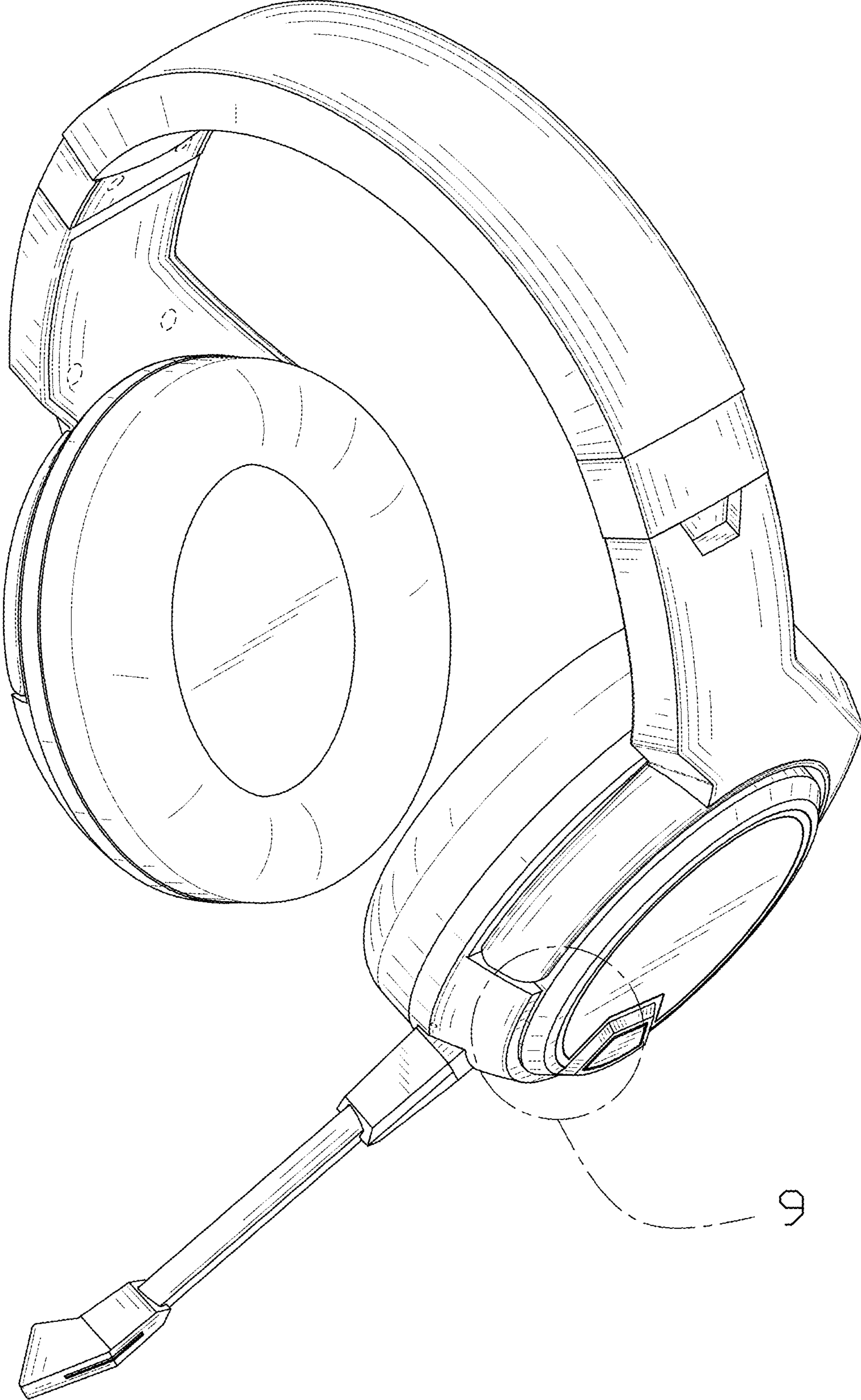


FIG. 1

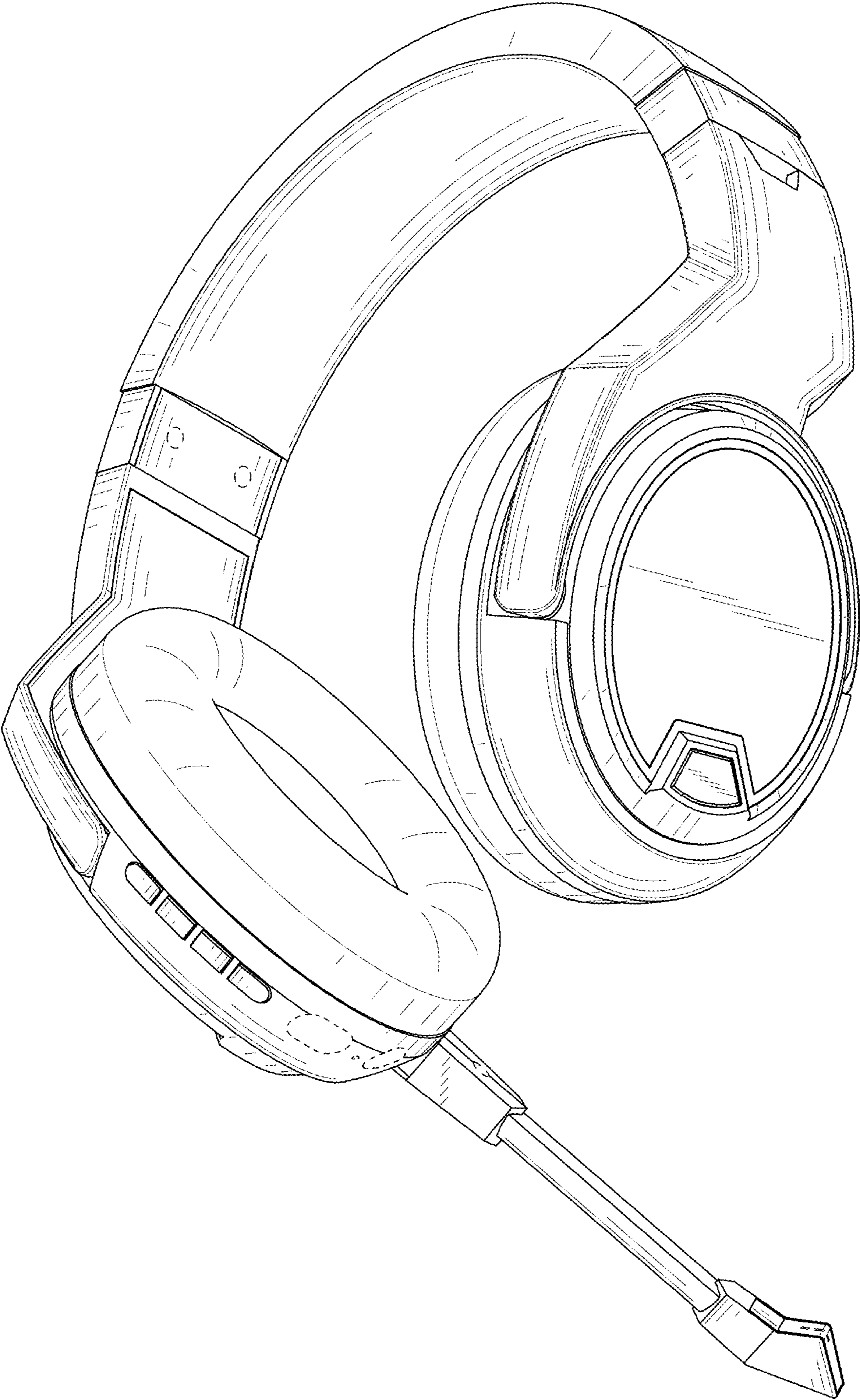


FIG. 2



FIG. 3



FIG. 4

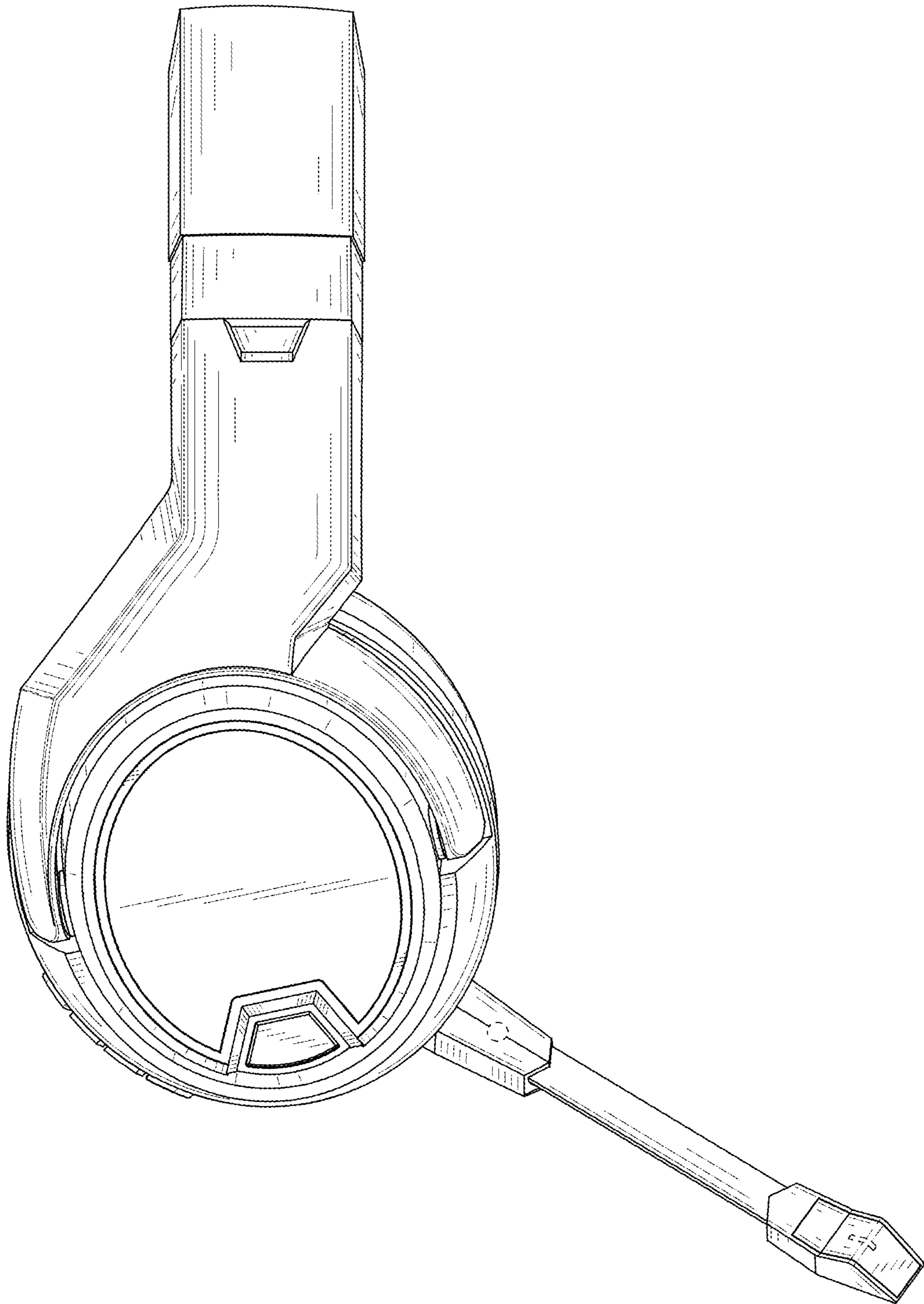


FIG. 5

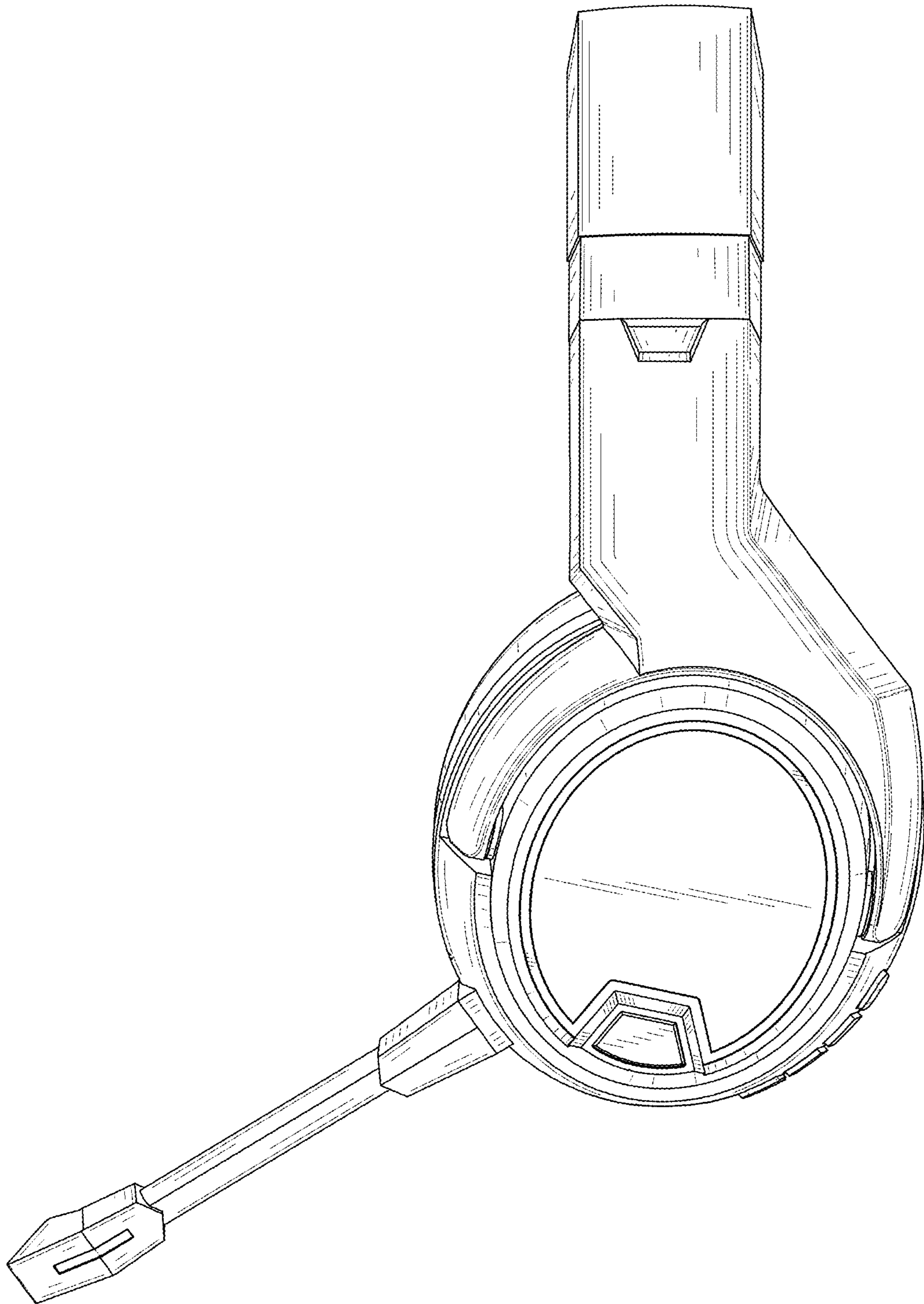


FIG. 6

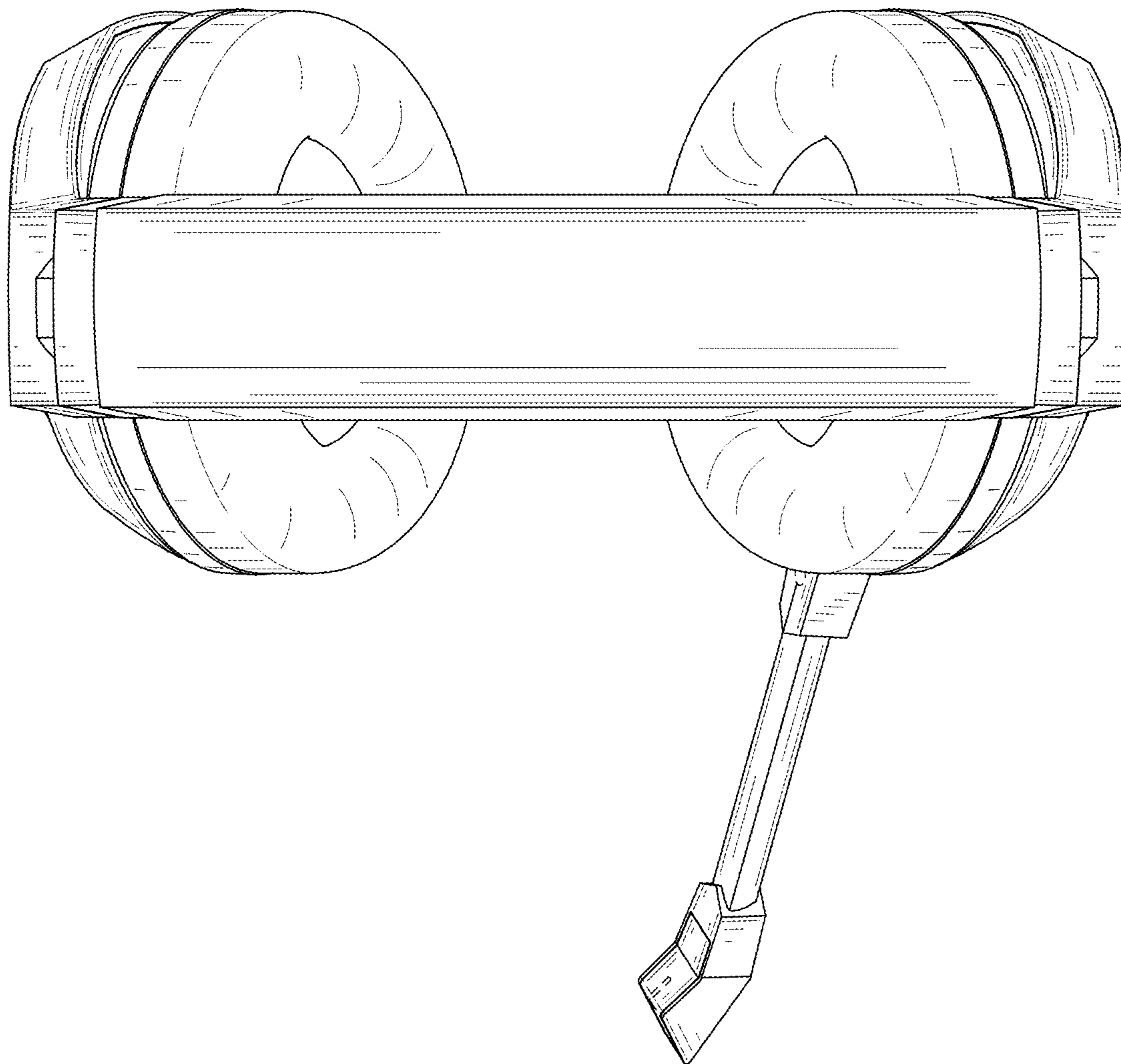


FIG. 7

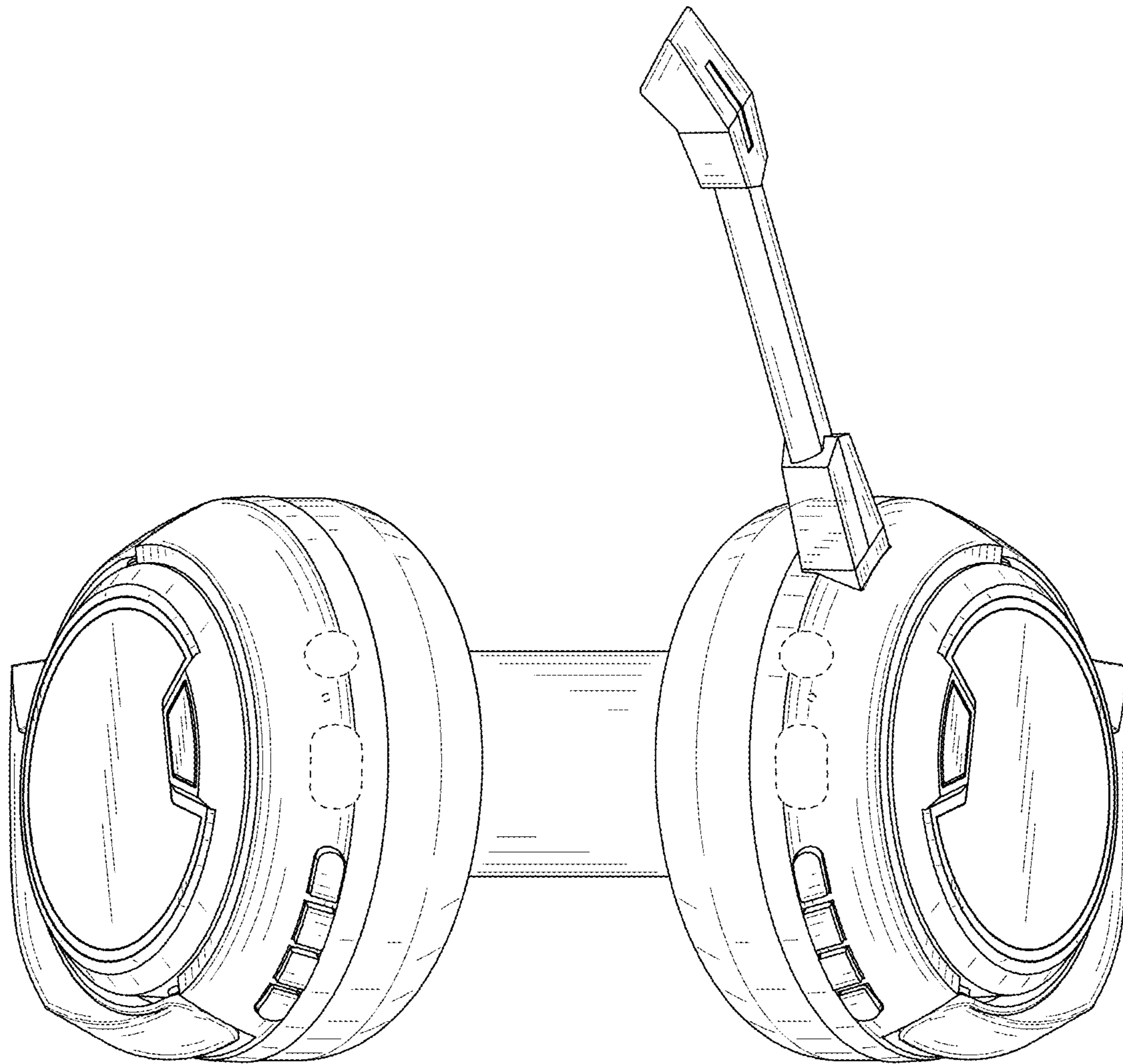


FIG. 8

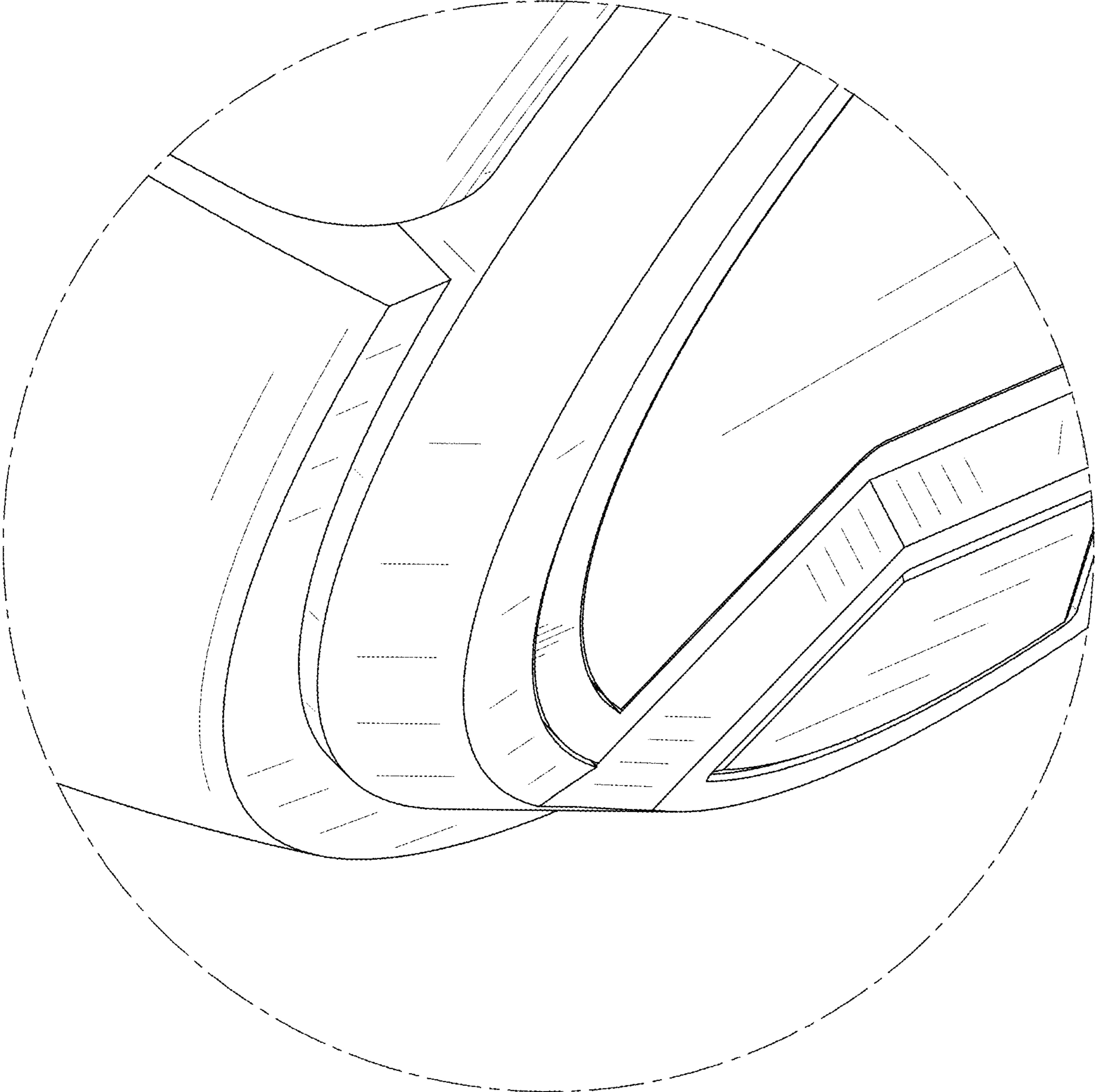


FIG. 9