



US00D986216S

(12) **United States Design Patent**
Kelley et al.

(10) **Patent No.:** **US D986,216 S**
(45) **Date of Patent:** **** May 16, 2023**

(54) **COMMUNICATIONS HEADSET**

FOREIGN PATENT DOCUMENTS

(71) Applicant: **Plantronics, Inc.**, Santa Cruz, CA (US)
(72) Inventors: **John A. Kelley**, Santa Cruz, CA (US);
Nicholas W. Paterson, Aptos, CA (US)

CN 103997701 A 8/2014
CN 203933908 U 11/2014
GB 9007792767-0009 * 4/2020

(73) Assignee: **Plantronics, Inc.**, Santa Cruz, CA (US)

(**) Term: **15 Years**

OTHER PUBLICATIONS

Yang et al., "Communications Headset," Design U.S. Appl. No. 29/523,218, filed Apr. 7, 2015, 7 pages.

(Continued)

(21) Appl. No.: **29/775,251**

Primary Examiner — Paula Allen Greene

(22) Filed: **Mar. 22, 2021**

(74) *Attorney, Agent, or Firm* — Quarles & Brady LLP

(51) **LOC (14) Cl.** **14-01**

(57) **CLAIM**

(52) **U.S. Cl.**

The ornamental design for a communications headset, as shown and described.

USPC **D14/206**; D14/226

DESCRIPTION

(58) **Field of Classification Search**

USPC D14/205, 206, 226, 225; D29/112;
2/209; 381/380–381, 374
CPC H04R 25/00; H04R 25/02; H04R 1/1066;
H04R 1/1016; H04R 5/033; H04R
5/0335; H04R 1/1083; H04R 19/04;
H04R 1/1091

See application file for complete search history.

FIG. 1 is a front-left perspective view of a communications headset showing a first embodiment of our new design; FIG. 2 is a back-right perspective view thereof; FIG. 3 is a front view thereof; FIG. 4 is a back view thereof; FIG. 5 is a right-side view thereof; FIG. 6 is a left-side view thereof; FIG. 7 is a top view thereof; FIG. 8 is a bottom view thereof; FIG. 9 is a front-left perspective view of a communications headset showing a second embodiment of our new design; FIG. 10 is a back-right perspective view thereof; FIG. 11 is a front view thereof; FIG. 12 is a back view thereof; FIG. 13 is a right-side view thereof; FIG. 14 is a left-side view thereof; FIG. 15 is a top view thereof; and, FIG. 16 is a bottom view thereof.

The dot-dot broken lines depict portions of the communications headset that form no part of the claimed design.

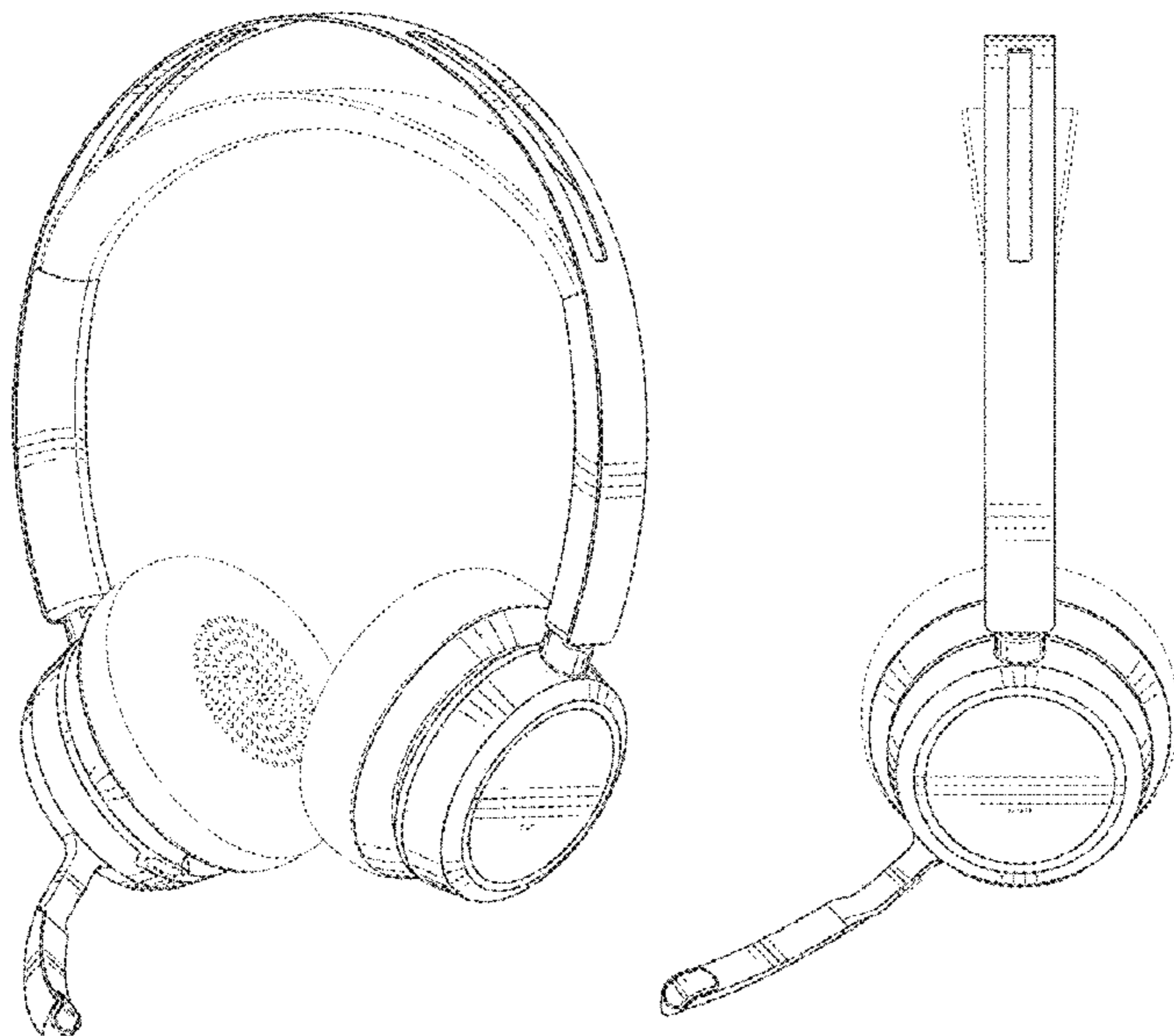
(56) **References Cited**

U.S. PATENT DOCUMENTS

4,926,961 A 5/1990 Gattey et al.
5,033,094 A 7/1991 Hung
D323,167 S 1/1992 Yamazaki et al.
D328,461 S 8/1992 Daido et al.
D347,434 S 5/1994 Yamatogi
D353,817 S 12/1994 Wada
D354,568 S 1/1995 Araki
5,406,037 A 4/1995 Nageno et al.
D358,391 S 5/1995 Isono
5,574,795 A 11/1996 Seki
5,619,584 A 4/1997 Lin

(Continued)

1 Claim, 16 Drawing Sheets



(56)

References Cited

U.S. PATENT DOCUMENTS

D388,010 S 12/1997 Scheufele
 D406,140 S 2/1999 Hall et al.
 D410,466 S 6/1999 Mouri
 D423,012 S * 4/2000 Yasutomi D14/205
 D449,034 S 10/2001 Weikel et al.
 D449,039 S 10/2001 Weikel et al.
 D451,907 S 12/2001 Amae et al.
 D463,784 S 10/2002 Taylor et al.
 6,560,346 B2 5/2003 Ohta et al.
 D484,485 S 12/2003 Matsuoka
 6,724,906 B2 4/2004 Naksen et al.
 6,742,906 B2 6/2004 Matsushita
 D498,227 S 11/2004 Dyer et al.
 D504,419 S 4/2005 Bey et al.
 D505,413 S 5/2005 Skulley et al.
 D506,258 S 6/2005 Nielsen
 D510,082 S 9/2005 Olson et al.
 D510,335 S 10/2005 Suzuki
 D517,528 S 3/2006 Skulley
 D520,496 S 5/2006 Gwee
 D521,492 S 5/2006 Ham
 D531,165 S 10/2006 Rath
 D537,815 S 3/2007 Bentley et al.
 D539,267 S 3/2007 Komiyama
 D540,313 S 4/2007 Rausch et al.
 D540,778 S 4/2007 Thompson et al.
 D541,787 S 5/2007 Ma
 D549,688 S 8/2007 Suzuki
 D567,220 S 4/2008 Wang
 7,412,070 B2 8/2008 Kleinschmidt et al.
 D588,098 S 3/2009 Kurihara
 D589,492 S 3/2009 Mistry
 D589,934 S 4/2009 Esses
 D593,995 S 6/2009 Shimizu
 D597,072 S 7/2009 Asai
 D602,001 S 10/2009 Bentley
 D602,906 S 10/2009 Groves et al.
 D603,372 S 11/2009 Bentley
 D616,418 S 5/2010 Morisawa
 D617,771 S 6/2010 Groves et al.
 D635,959 S 4/2011 Hutchieson
 D638,000 S 5/2011 Hoggarth
 D642,554 S 8/2011 Schaal et al.
 D643,405 S 8/2011 Rath
 D647,877 S 11/2011 Son

3,061,473 A1 11/2011 Kerr
 D652,017 S 1/2012 Groves et al.
 D654,471 S 2/2012 Fischer
 D654,472 S 2/2012 Fischer
 D662,080 S 6/2012 Carr et al.
 D670,267 S 11/2012 Maddern
 D671,914 S 12/2012 Lee et al.
 D671,915 S 12/2012 Birger
 D674,767 S 1/2013 Brunner et al.
 D677,647 S 3/2013 Lee et al.
 D691,112 S 10/2013 Brunner et al.
 D691,579 S 10/2013 Lee et al.
 D692,410 S 10/2013 Brunner et al.
 D695,263 S 12/2013 Mogili
 D713,817 S 9/2014 Paterson et al.
 D716,258 S 10/2014 Awiszus et al.
 D716,259 S 10/2014 Awiszus et al.
 D716,760 S 11/2014 Brunner et al.
 D717,767 S 11/2014 Mistry et al.
 D719,135 S * 12/2014 Kelley D14/205
 D725,630 S 3/2015 Nakagawa
 D732,503 S 6/2015 Brunner et al.
 D734,296 S 7/2015 Paterson et al.
 D764,437 S 8/2016 Yang et al.
 D789,331 S * 6/2017 Paterson D14/225
 D885,364 S * 5/2020 Paterson D14/206
 D895,570 S * 9/2020 Choi D14/205
 D926,152 S * 7/2021 Yan D14/206
 D927,451 S * 8/2021 Paterson D14/206
 D927,452 S * 8/2021 Paterson D14/205
 D927,455 S * 8/2021 Yang D14/206
 D927,456 S * 8/2021 Paterson D14/206
 D940,686 S * 1/2022 Yang D14/206
 D961,549 S * 8/2022 Wang D14/216
 D969,104 S * 11/2022 Yang D14/206
 D971,877 S * 12/2022 Yang D14/206
 2017/0019728 A1 * 1/2017 Cochran H04R 1/1091
 2017/0245043 A1 * 8/2017 Abbott H04R 1/1008

OTHER PUBLICATIONS

Unknown, "Koss KTXPRO1 On-Ear Headphones," found at URL
 <https://www.koss.com/en/products/headphones/on-ear-head-phones/KTXPRO1_KTXPRO1_On_Ear_Headphone>, on Oct. 24, 2014, 2
 pages.

* cited by examiner



FIG. 1



FIG. 2

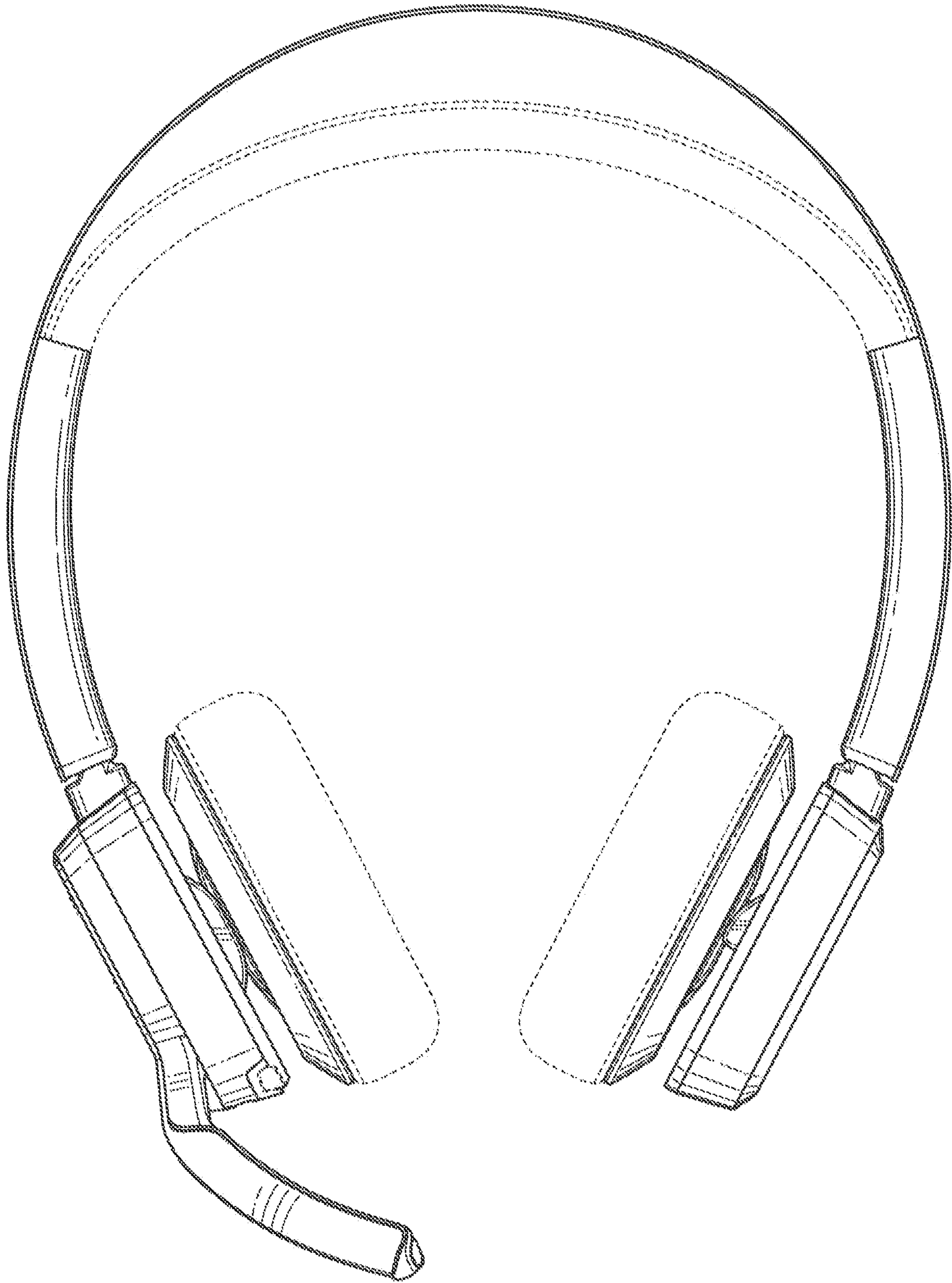


FIG. 3

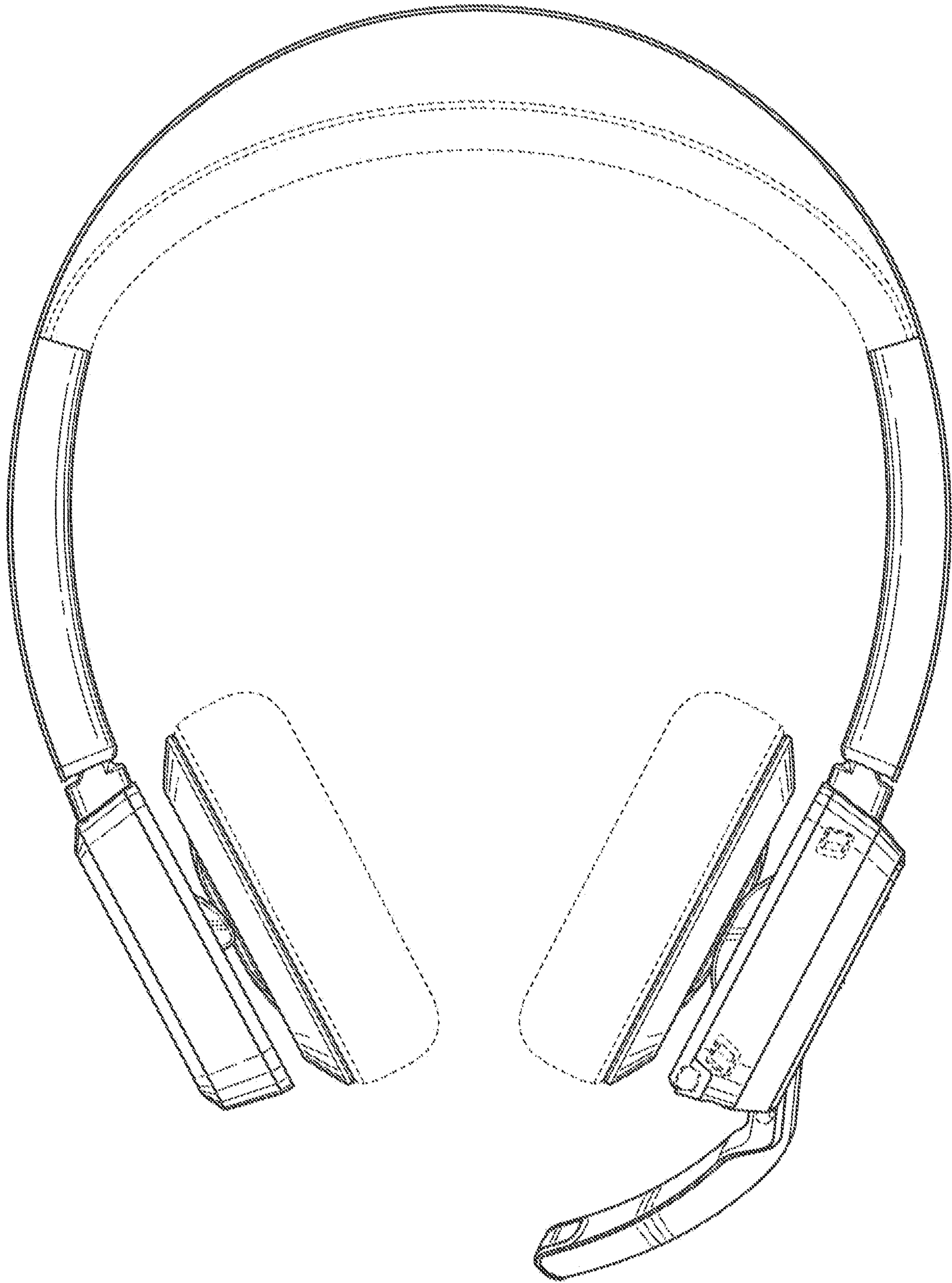


FIG. 4

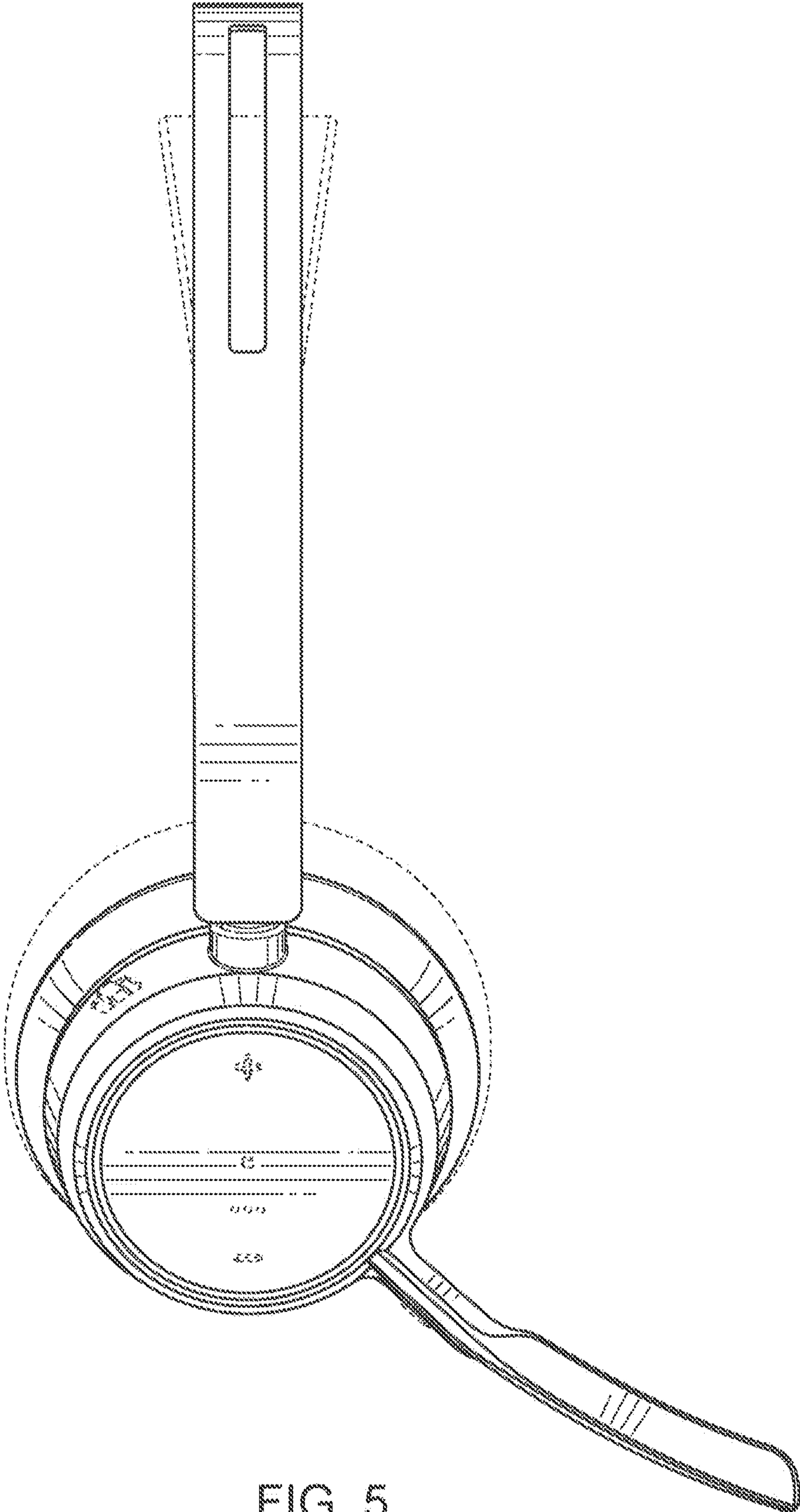
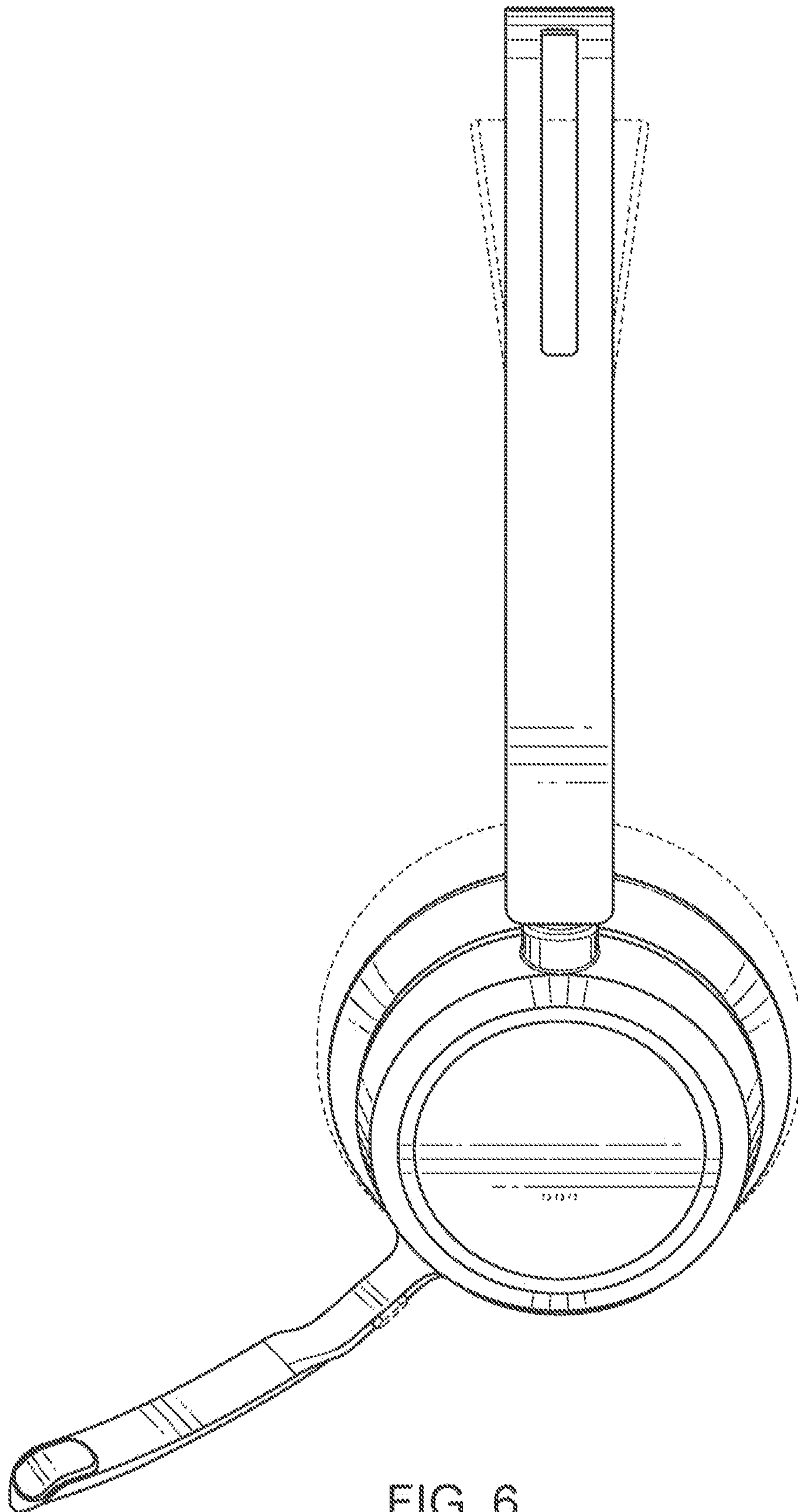


FIG. 5



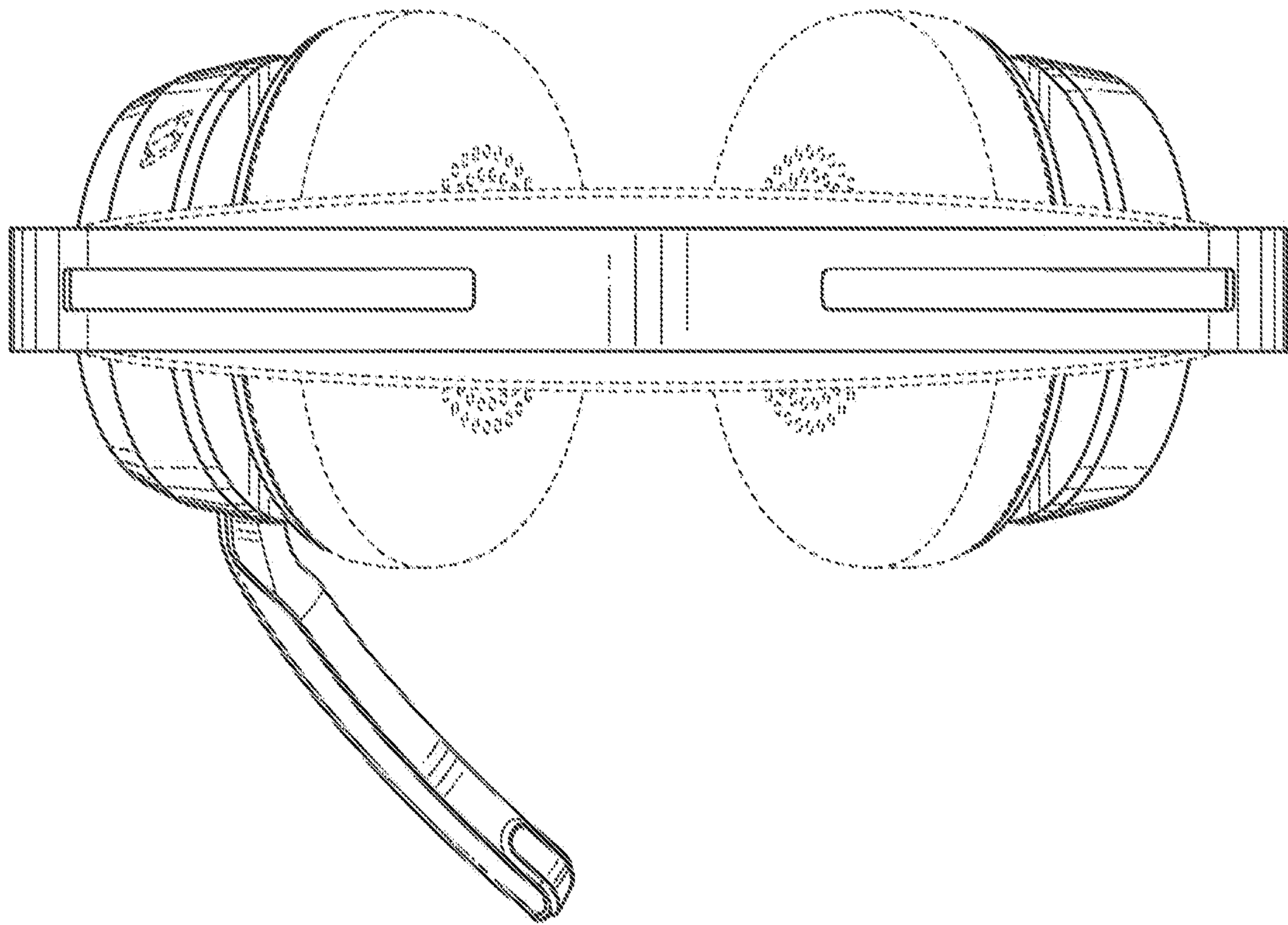


FIG. 7

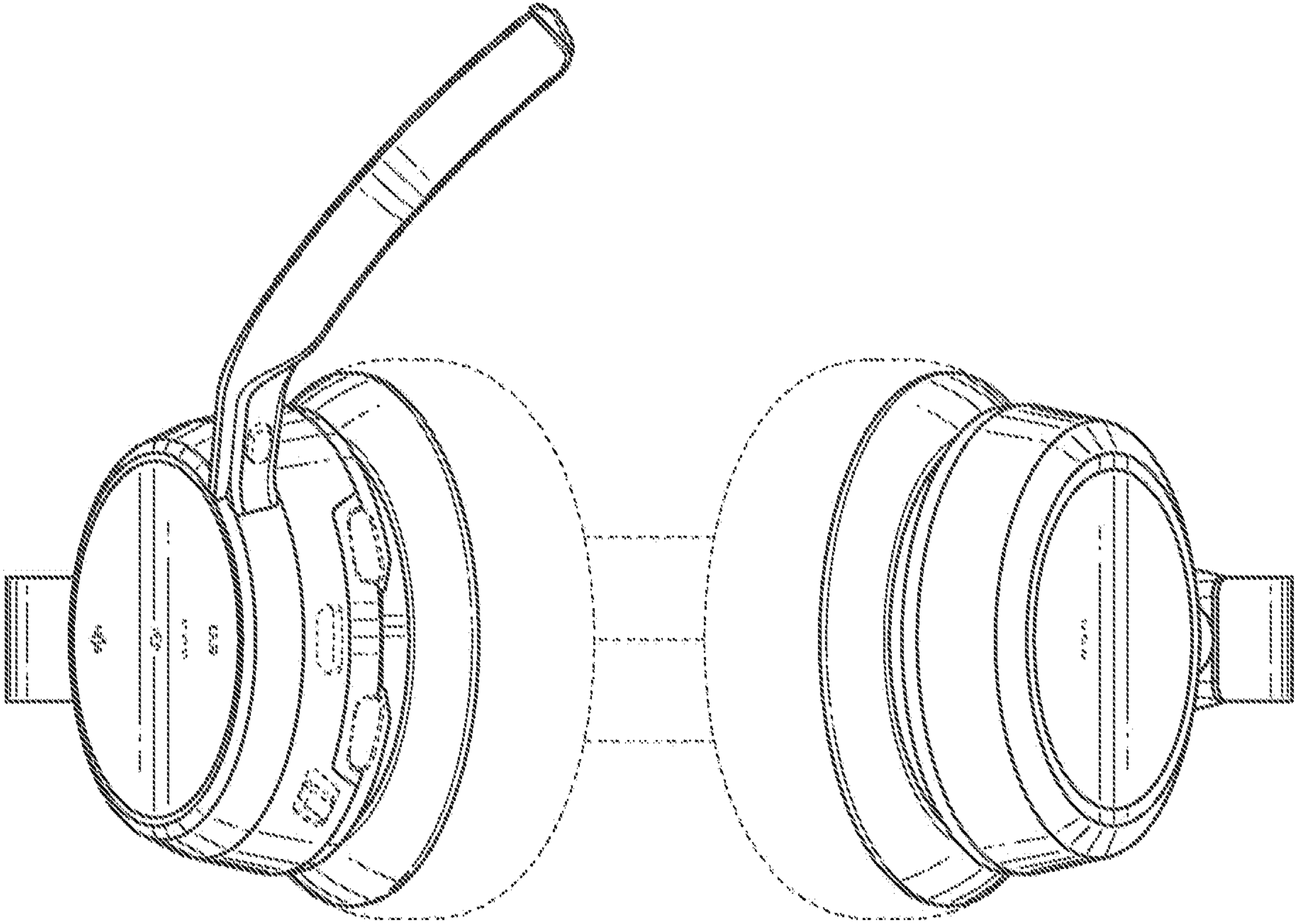


FIG. 8



FIG. 9



FIG. 10

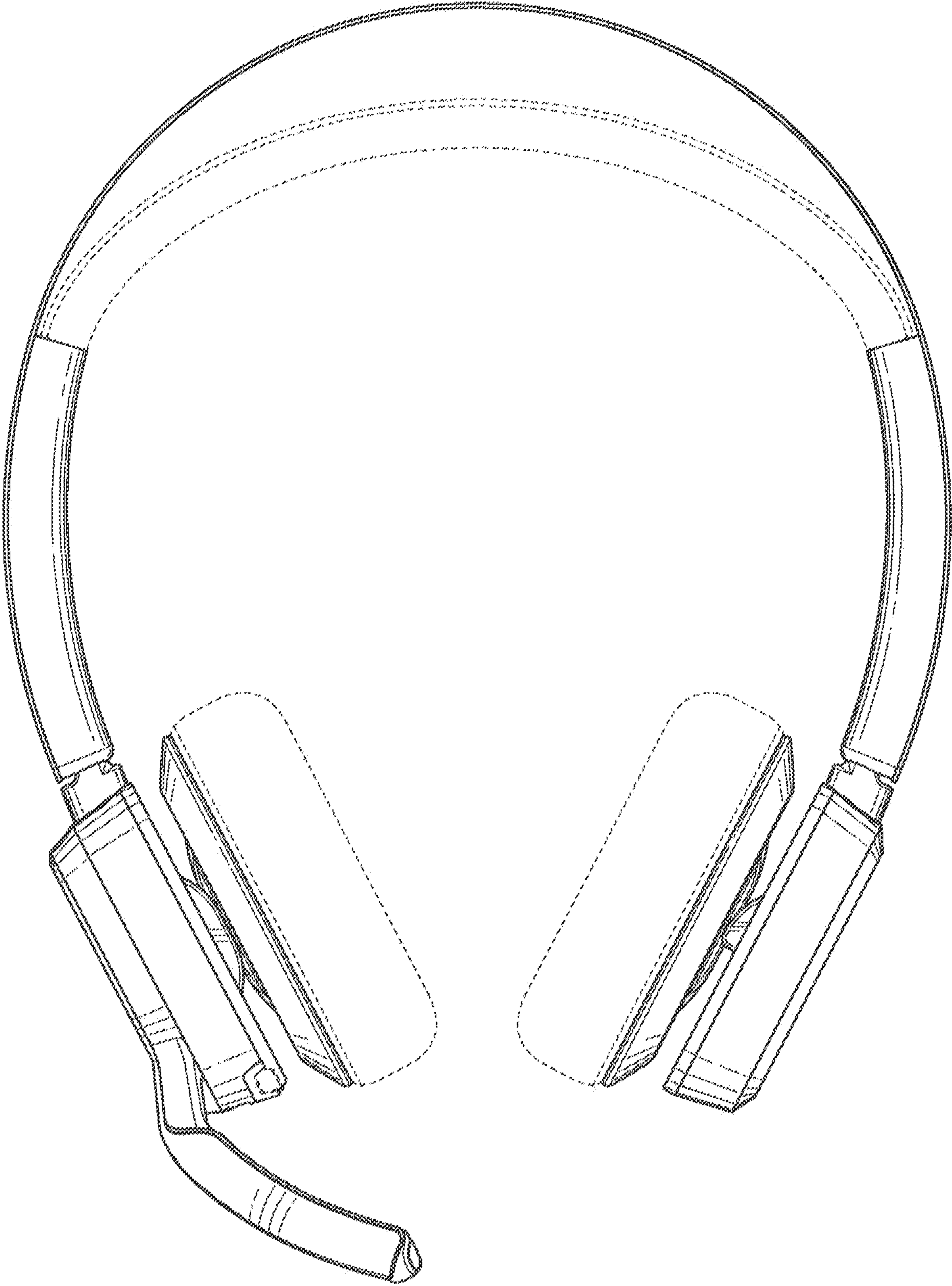


FIG. 11

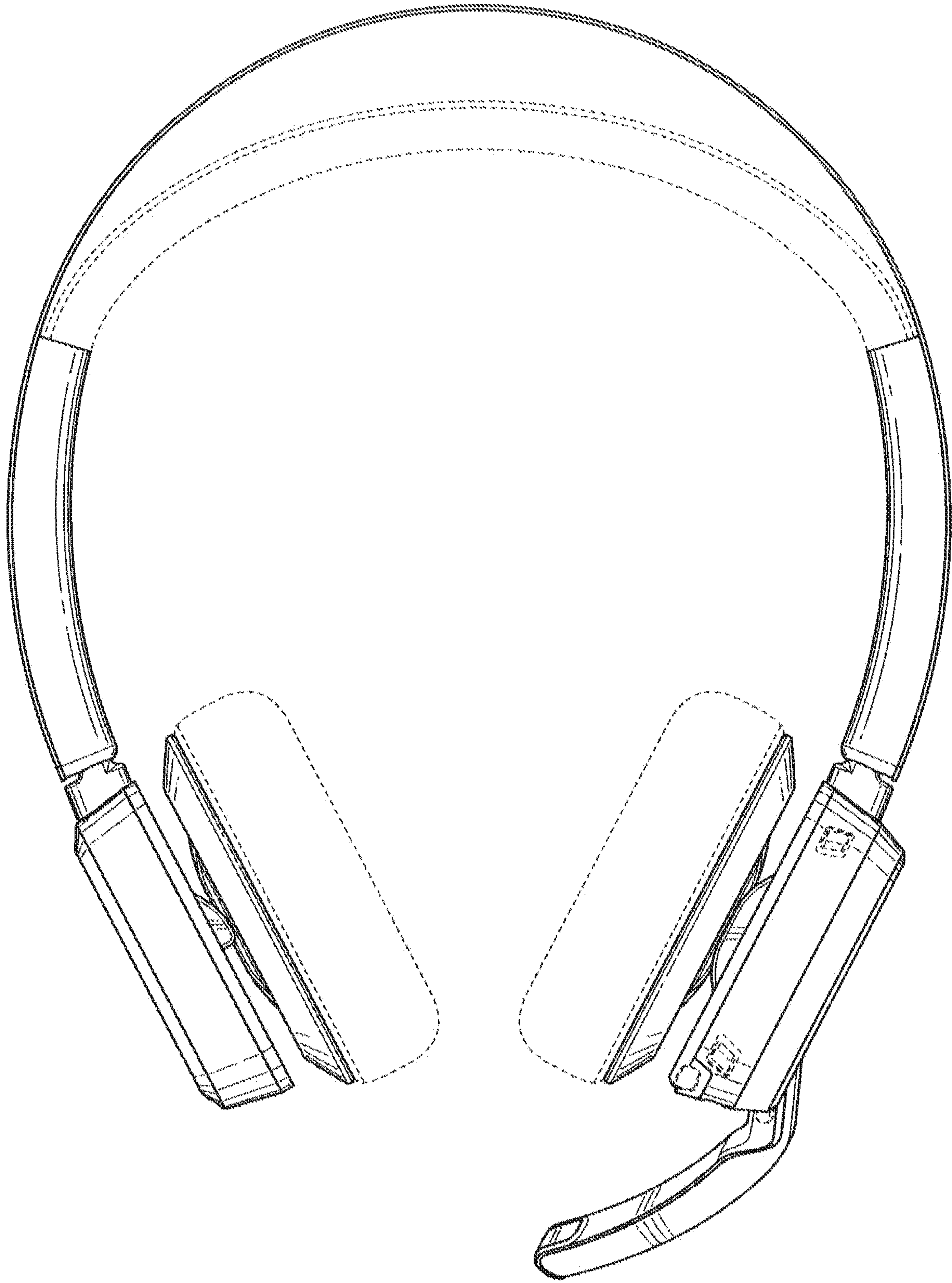


FIG. 12

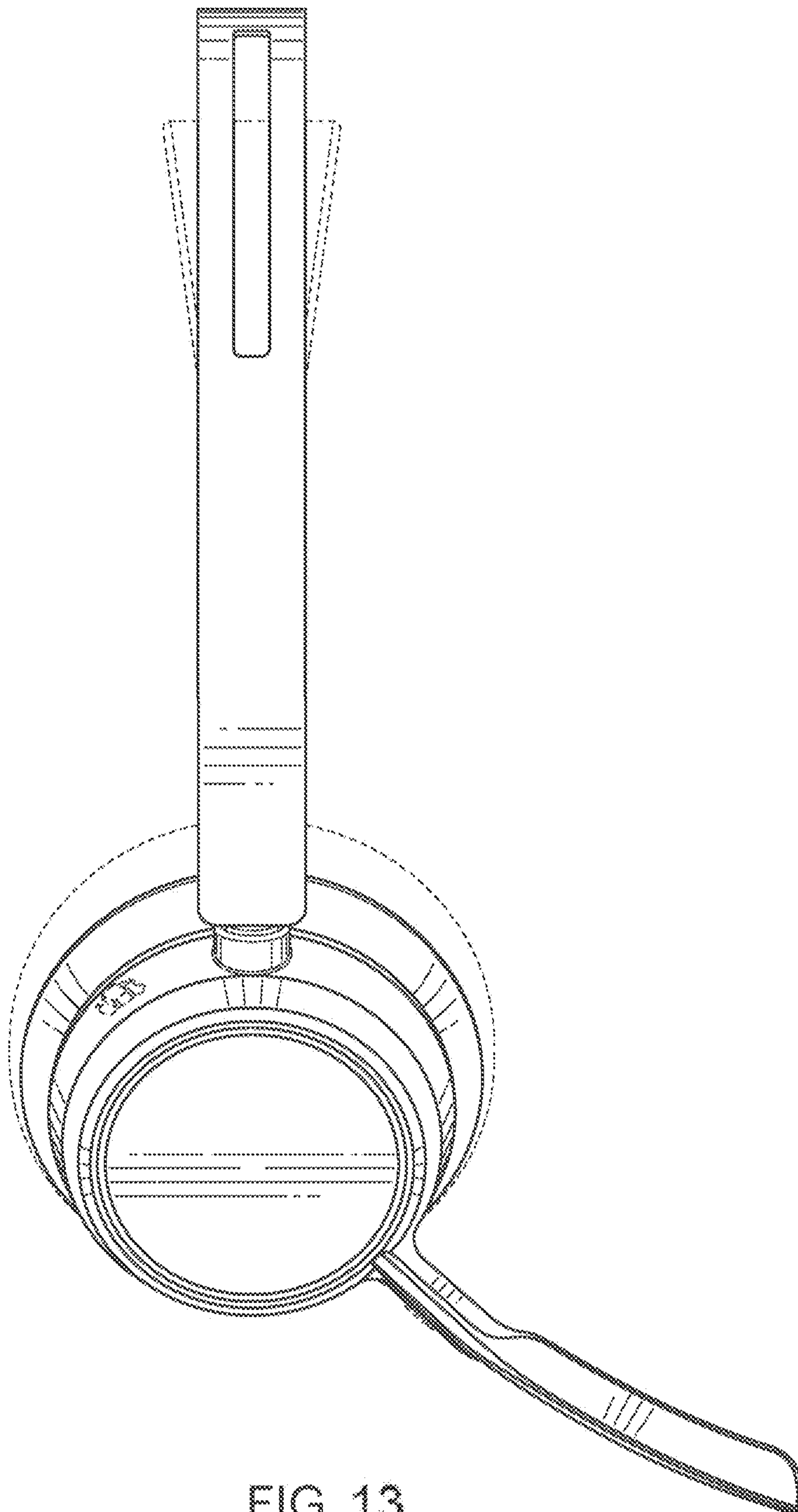


FIG. 13

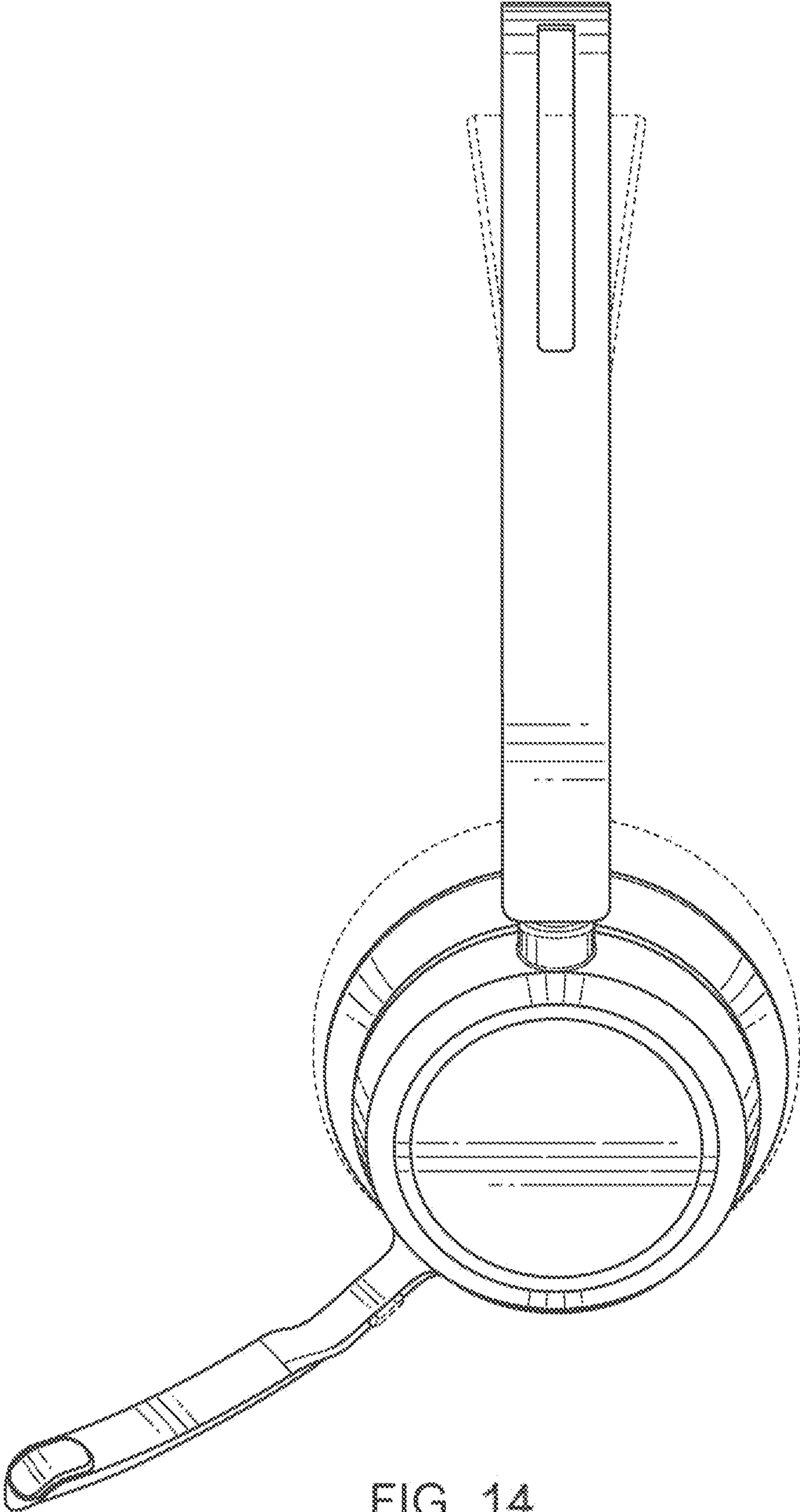


FIG. 14

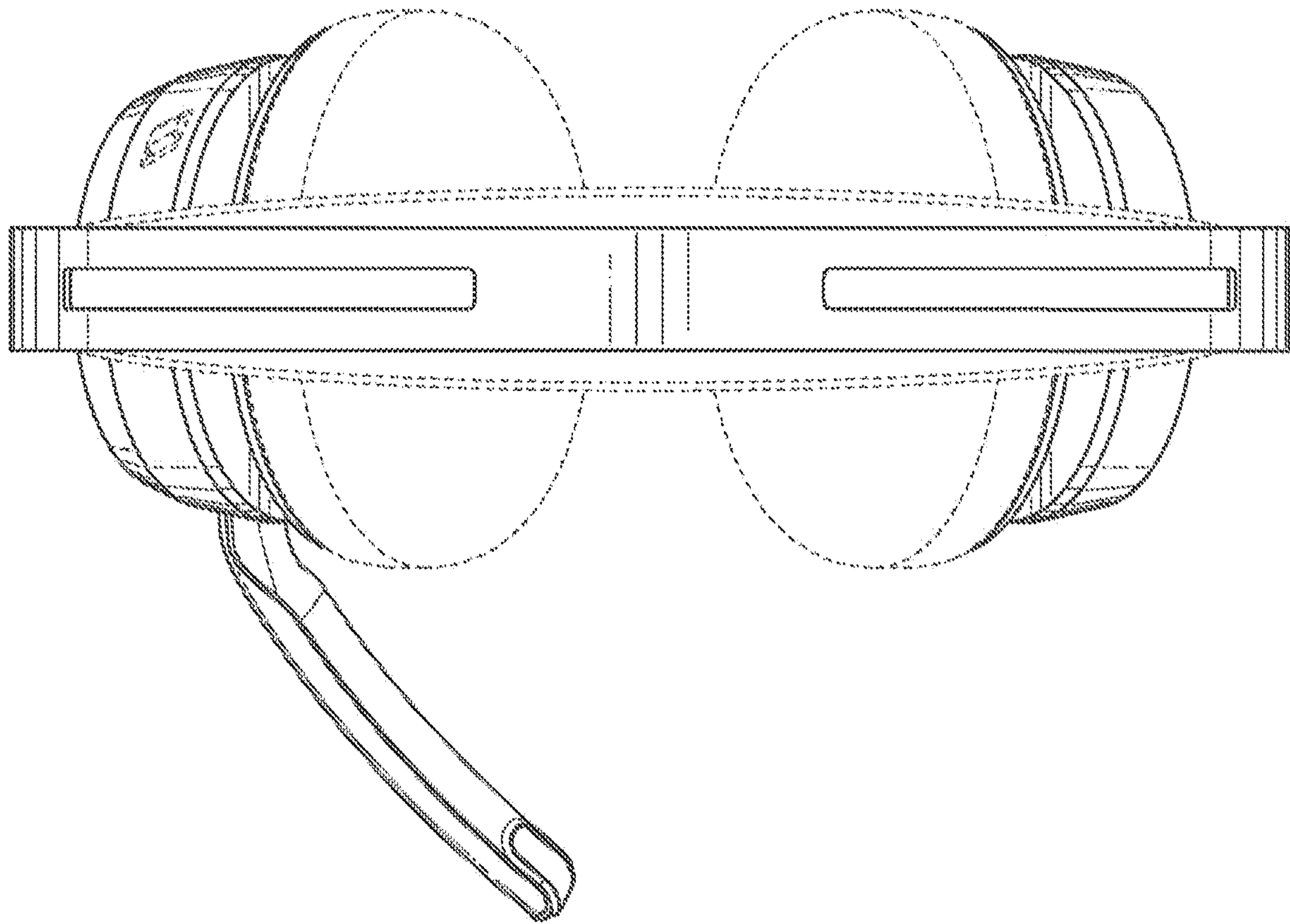


FIG. 15

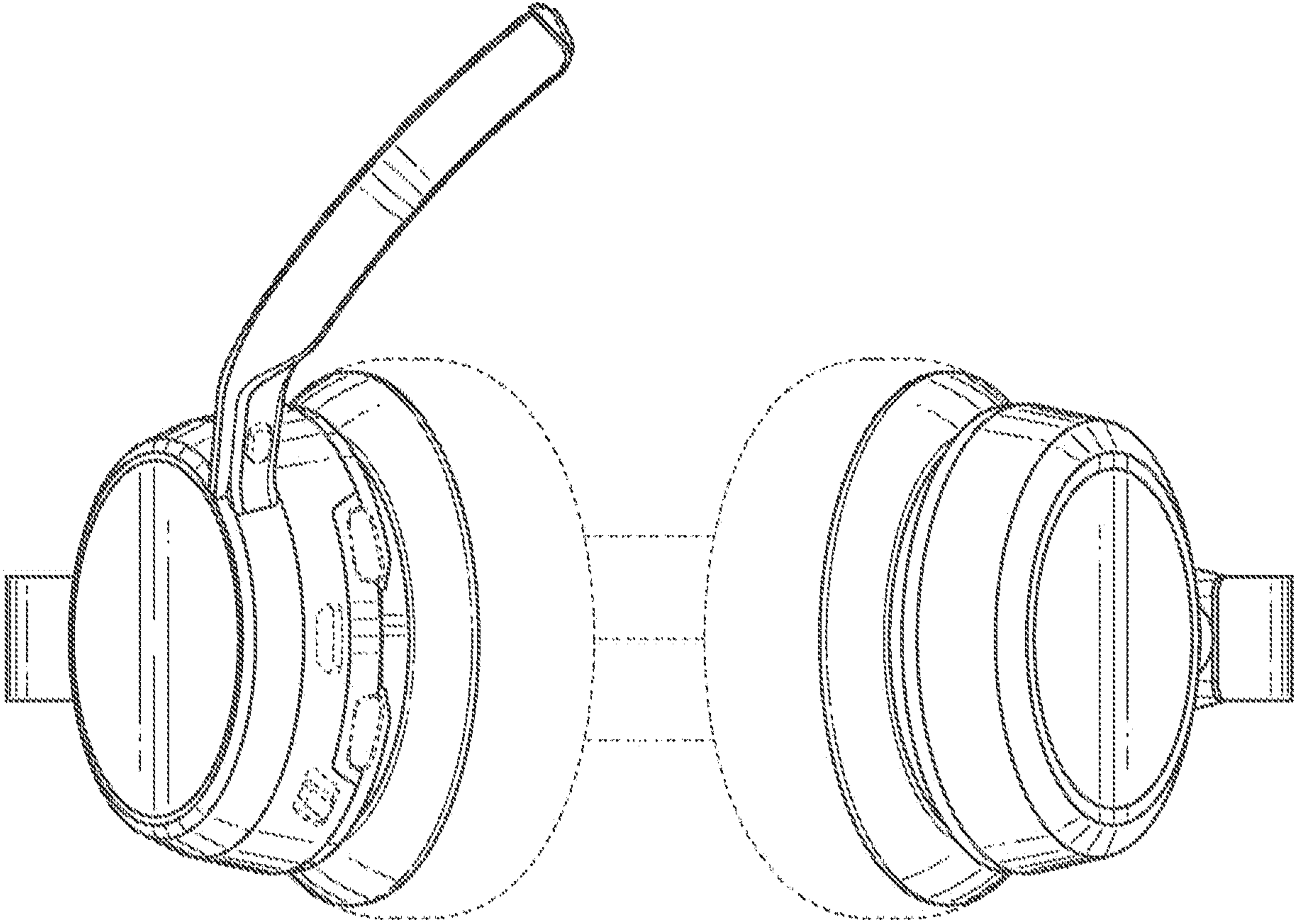


FIG. 16