



US00D986214S

(12) **United States Design Patent** (10) **Patent No.:** **US D986,214 S**  
**Endo** (45) **Date of Patent:** **\*\* May 16, 2023**

(54) **SPEAKER ENCLOSURE**  
(71) Applicant: **ALPS ALPINE CO., LTD.**, Tokyo (JP)  
(72) Inventor: **Hideki Endo**, Ota-ku (JP)  
(73) Assignee: **ALPS ALPINE CO., LTD.**, Tokyo (JP)  
(\*\*) Term: **15 Years**

D531,616 S \* 11/2006 Shimokawatoko ..... D14/214  
D573,133 S \* 7/2008 Milks ..... D14/214  
D619,563 S \* 7/2010 Chen ..... D14/214  
D760,685 S \* 7/2016 Sugiura ..... D14/204  
D832,235 S 10/2018 Noedinger

**FOREIGN PATENT DOCUMENTS**

JP D1156831 S 10/2002

**OTHER PUBLICATIONS**

[Alpine Electronics S-DB8V-TRK Dual], available in Amazon.com, date first available Nov. 16, 2021 [online], [site visited Oct. 12, 2022], Available from the internet URL: [https://www.amazon.com/Alpine-Electronics-S-DB8V-TRK-Preloaded-Subwoofer/dp/B09M1VCXB5/ref=sr\\_1\\_1](https://www.amazon.com/Alpine-Electronics-S-DB8V-TRK-Preloaded-Subwoofer/dp/B09M1VCXB5/ref=sr_1_1) (Year: 2021).\*

\* cited by examiner

*Primary Examiner* — Khawaja Anwar  
*Assistant Examiner* — Megan Tiana Rakos  
(74) *Attorney, Agent, or Firm* — Maier & Maier, PLLC

(57) **CLAIM**

The ornamental design for a speaker enclosure, as shown and described.

**DESCRIPTION**

FIG. 1 is a perspective view of a speaker enclosure; FIG. 2 is a front view thereof; FIG. 3 is a rear view thereof; FIG. 4 is a top view thereof; FIG. 5 is a bottom view thereof; FIG. 6 is a right side view thereof; and, FIG. 7 is a left side view thereof. The broken lines throughout the figures show portions of the speaker enclosure that form no part of the claimed design.

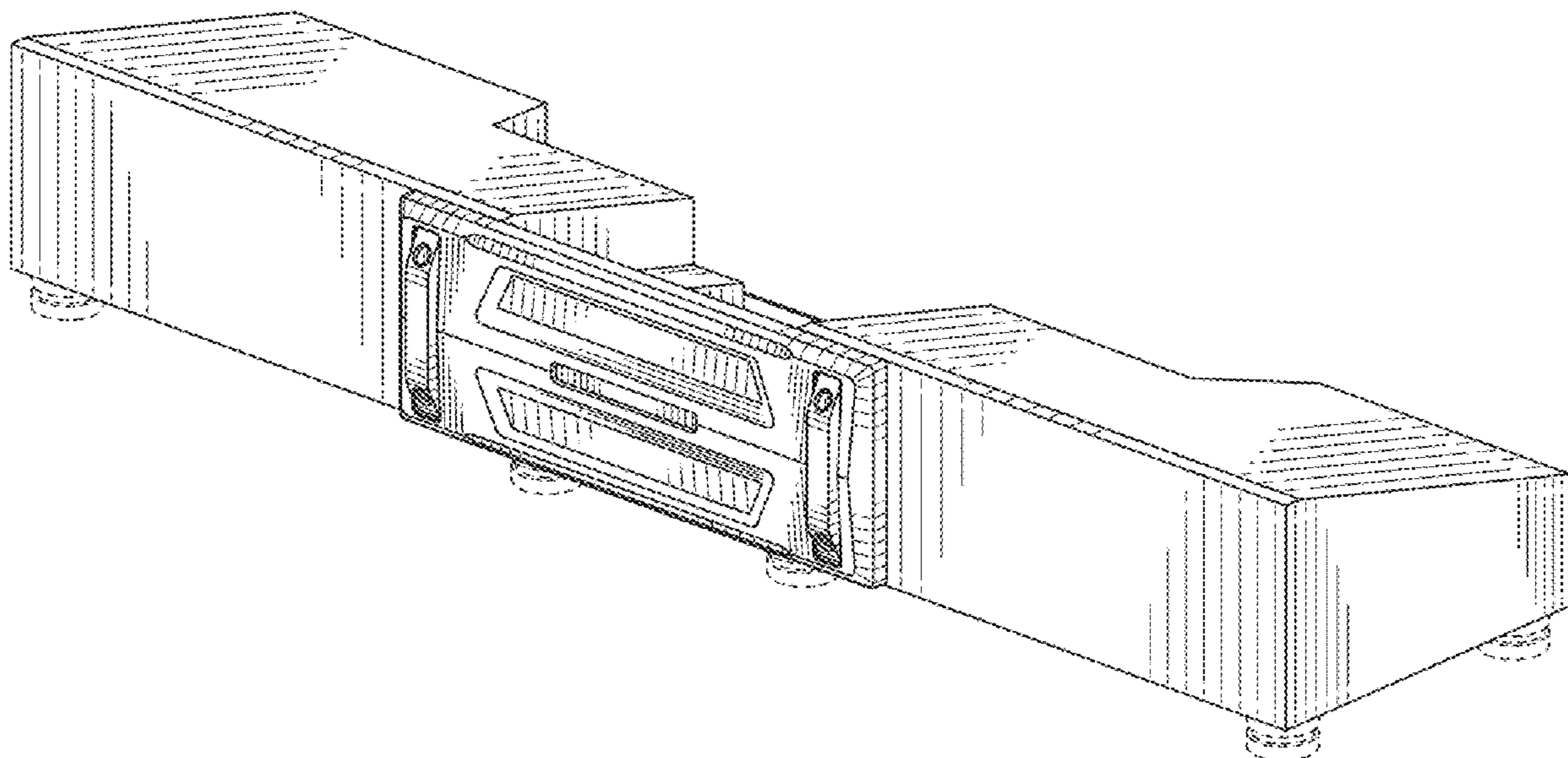
**1 Claim, 7 Drawing Sheets**

(21) Appl. No.: **29/770,717**  
(22) Filed: **Feb. 16, 2021**  
(51) **LOC (14) Cl.** ..... **14-01**  
(52) **U.S. Cl.**  
USPC ..... **D14/204**  
(58) **Field of Classification Search**  
USPC ..... D14/167, 168, 170–172, 188, 194–196, D14/203.1, 203.3, 204, 207, 209.1, D14/210–217, 219, 221, 222, 224, 224.1, D14/238, 299, 356, 365, 496; D16/202–208; 181/148, 199; 381/332–333, 336, 345  
CPC . H04R 1/02; H04R 1/06; H04R 1/021; H04R 1/023; H04R 1/025; H04R 1/026; H04R 1/323; H04R 1/403; H04R 1/2803; H04R 1/2834; H04R 2201/028; H04R 9/06; H04R 5/00; H04R 5/02; H04R 2201/021; H04R 2400/00; H04R 2499/11; H04R 9/025  
See application file for complete search history.

(56) **References Cited**

**U.S. PATENT DOCUMENTS**

D276,226 S \* 11/1984 Del Rosario ..... D14/214  
D341,140 S \* 11/1993 Uehara ..... D14/168  
D372,918 S \* 8/1996 Manganese ..... D14/204



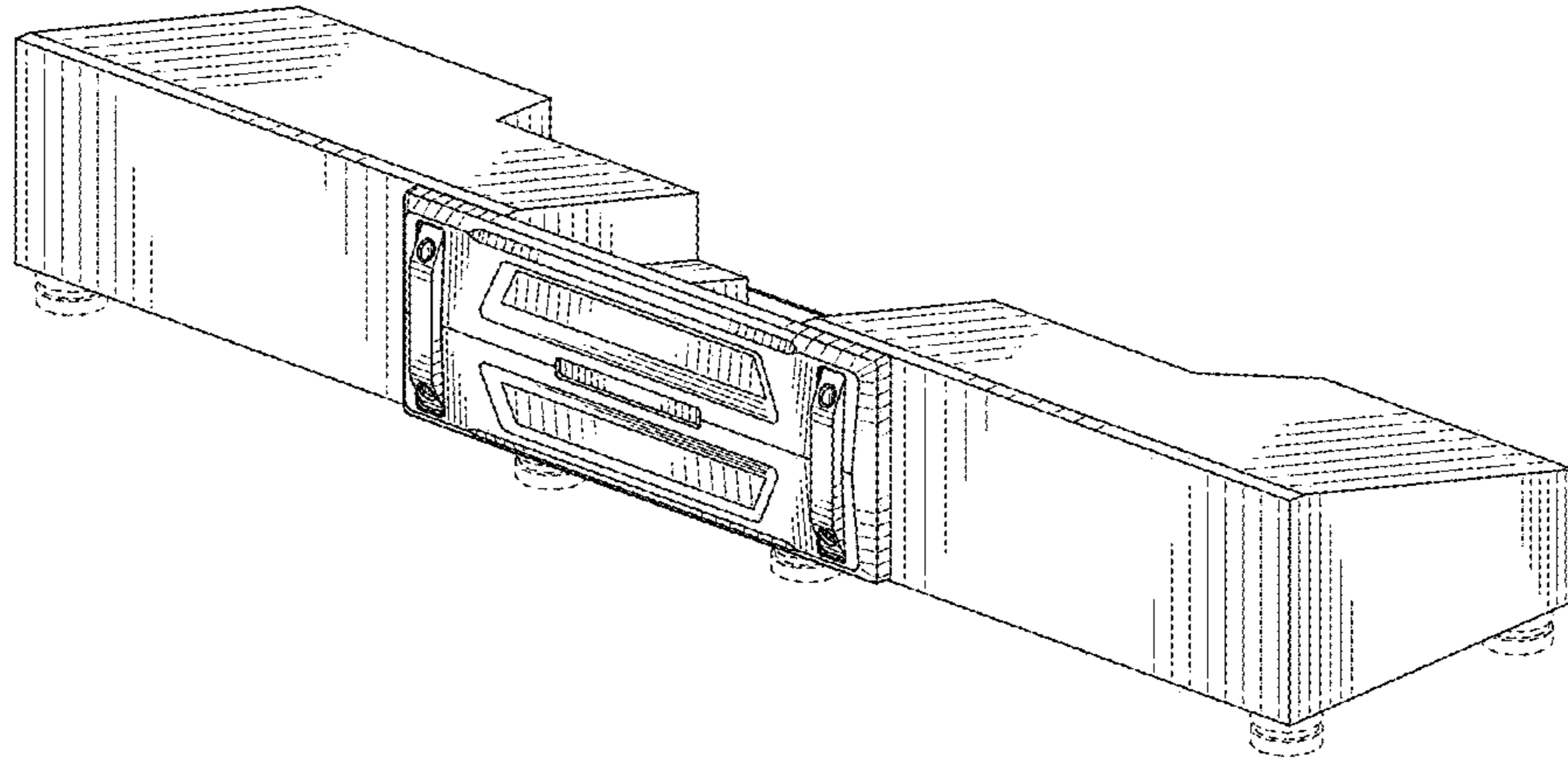


FIG. 1

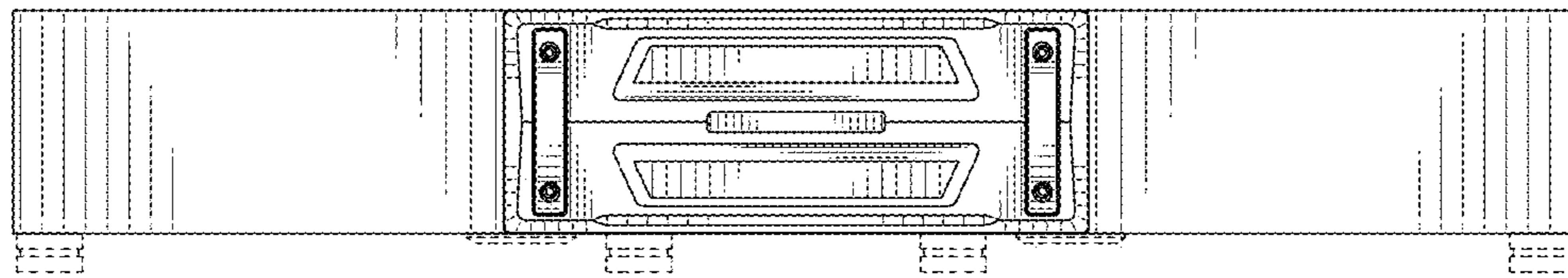


FIG. 2

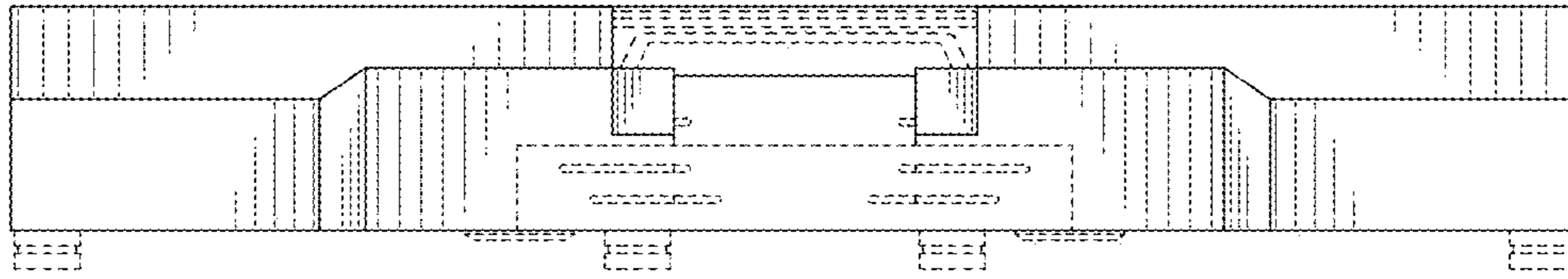


FIG. 3

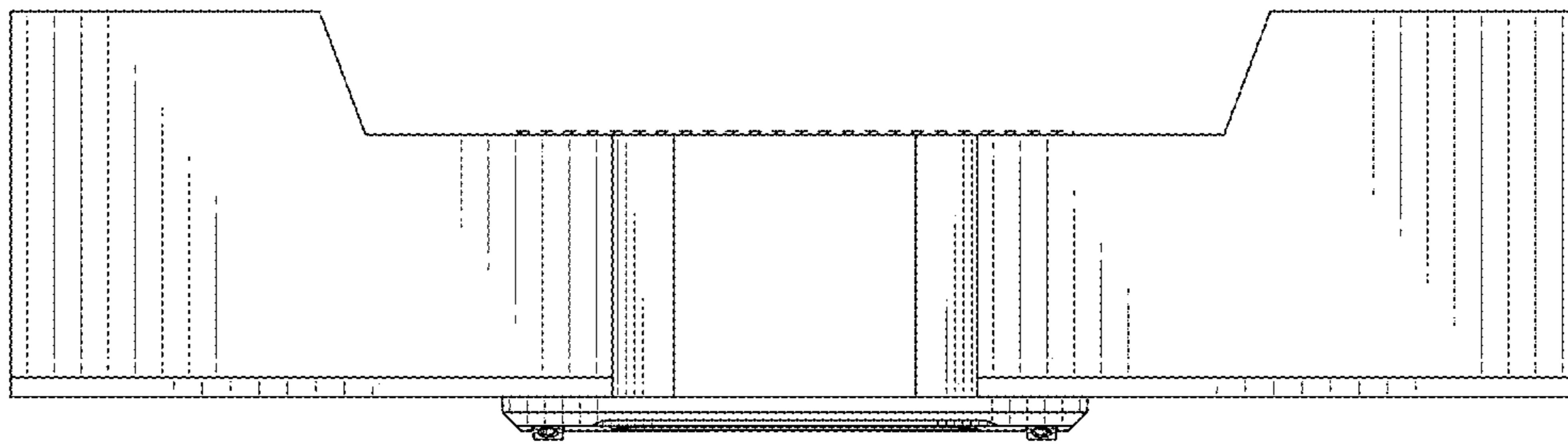


FIG. 4

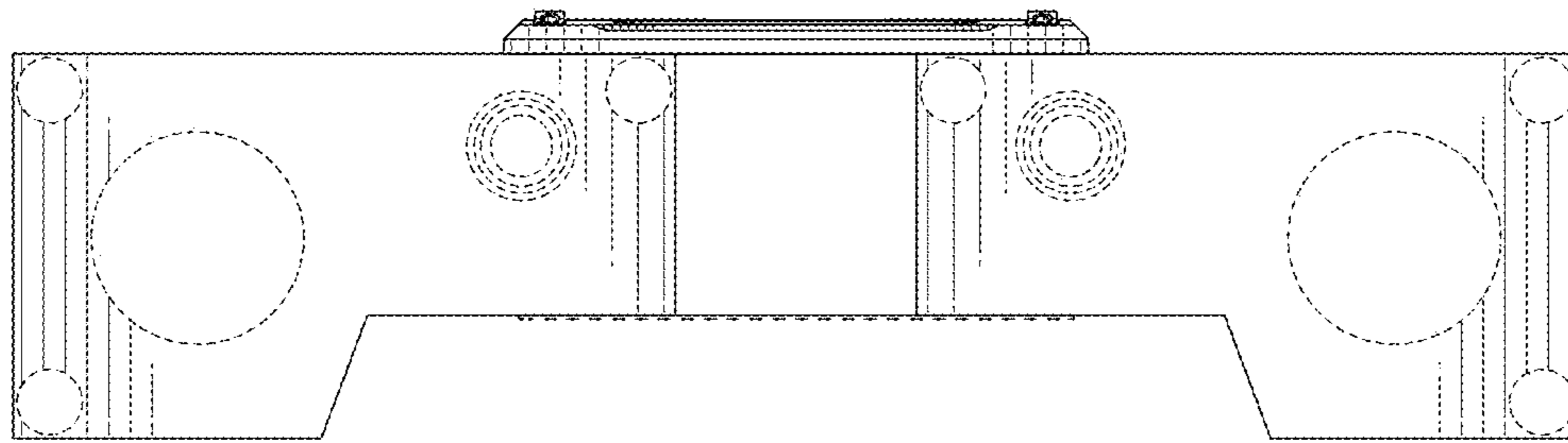


FIG. 5

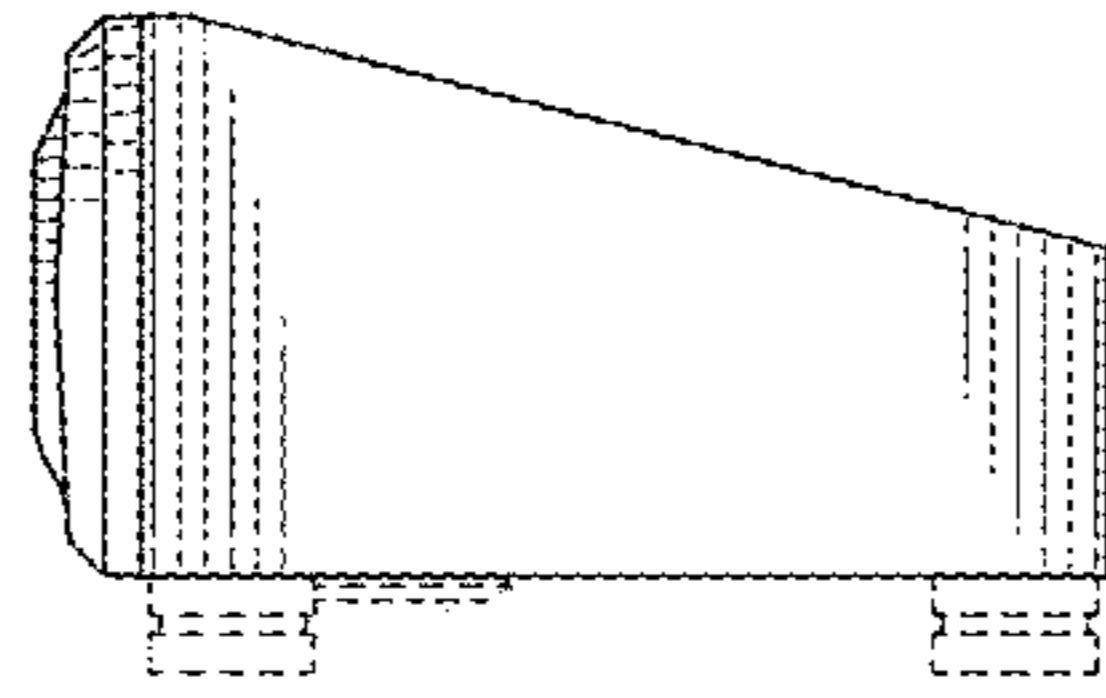


FIG. 6

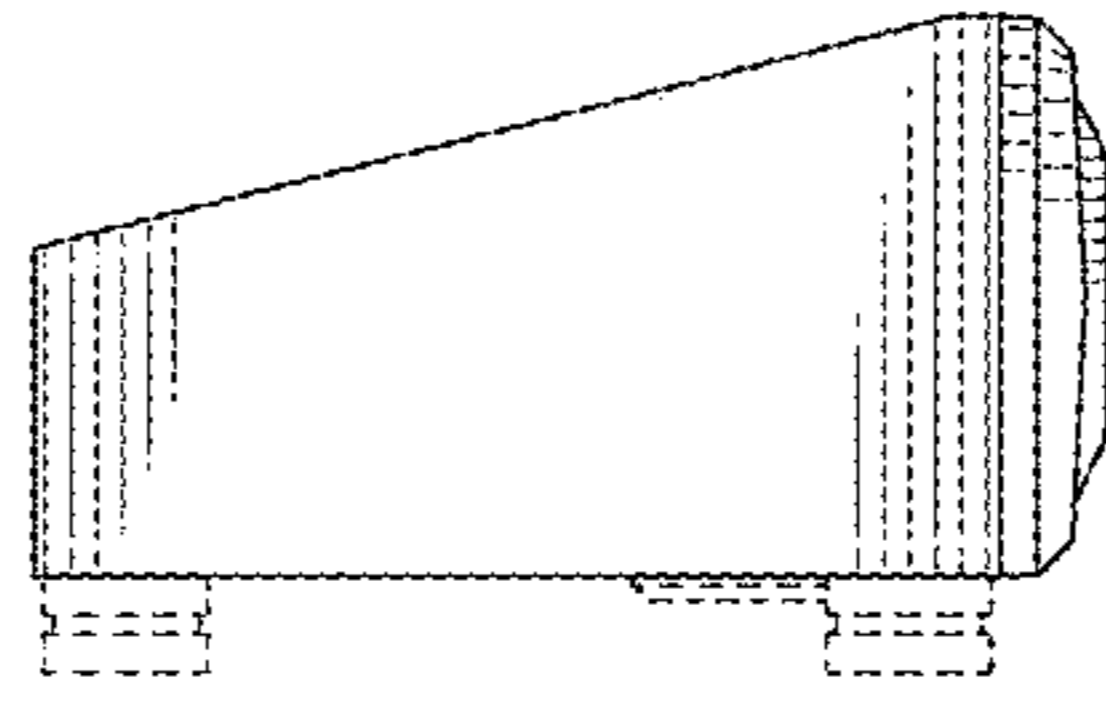


FIG. 7