



US00D986211S

(12) **United States Design Patent**
Wang et al.

(10) **Patent No.:** **US D986,211 S**

(45) **Date of Patent:** **** May 16, 2023**

(54) **DESK PHONE**

(71) Applicant: **Plantronics, Inc.**, Santa Cruz, CA (US)

(72) Inventors: **Bowman Wang**, Corralitos, CA (US);
George Janour, Santa Cruz, CA (US)

(73) Assignee: **Plantronics, Inc.**, Santa Cruz, CA (US)

(**) Term: **15 Years**

(21) Appl. No.: **29/854,575**

(22) Filed: **Sep. 26, 2022**

Related U.S. Application Data

(62) Division of application No. 29/740,377, filed on Jul. 2, 2020.

(51) **LOC (14) Cl.** **14-03**

(52) **U.S. Cl.**
USPC **D14/151**

(58) **Field of Classification Search**
USPC ... D14/140, 140.1, 140.7, 140.8, 141.2, 142,
D14/144, 147, 148, 149, 150, 151, 158,
D14/159, 188, 217, 240, 243, 247, 248,
D14/251, 299, 329, 330, 338, 130, 462,
D14/467, 471; D21/517
CPC H04M 1/00; H04M 1/003; H04M 1/02;
H04M 1/0289; H04M 1/0297; H04M
1/0214; H04M 1/03; H04M 1/23; H04M
1/253; H04M 1/2535; H04M 7/006;
H04M 1/62
See application file for complete search history.

(56) **References Cited**

U.S. PATENT DOCUMENTS

D263,589 S * 3/1982 Read D14/150
D282,066 S * 1/1986 Menei D14/151
D282,655 S * 2/1986 Kaku D14/141.1
D291,567 S * 8/1987 Read D14/149
D292,090 S * 9/1987 Shintomi D14/141.1

D293,783 S * 1/1988 Martinez D14/151
D295,623 S * 5/1988 Gilberton D14/151
D296,437 S * 6/1988 Martinez D14/151
D298,618 S * 11/1988 Martinez D14/141.1
D299,456 S * 1/1989 Kuo D14/151
D300,025 S * 2/1989 Honda D14/151

(Continued)

FOREIGN PATENT DOCUMENTS

TW D176839 * 7/2016

OTHER PUBLICATIONS

Poly Edge E400 IP Desk Phone, (online) 7 pgs. Available Aug. 15, 2022 [Retrieved Jan. 18, 2023] <https://www.amazon.com/Poly-Edge-Phone-Plantronics-Polycom/dp/B0B7PXR7H9>.*

Primary Examiner — Marie D. Fast Horse

(74) *Attorney, Agent, or Firm* — Quarles & Brady LLP

(57) **CLAIM**

The ornamental design for a desk phone, as shown and described.

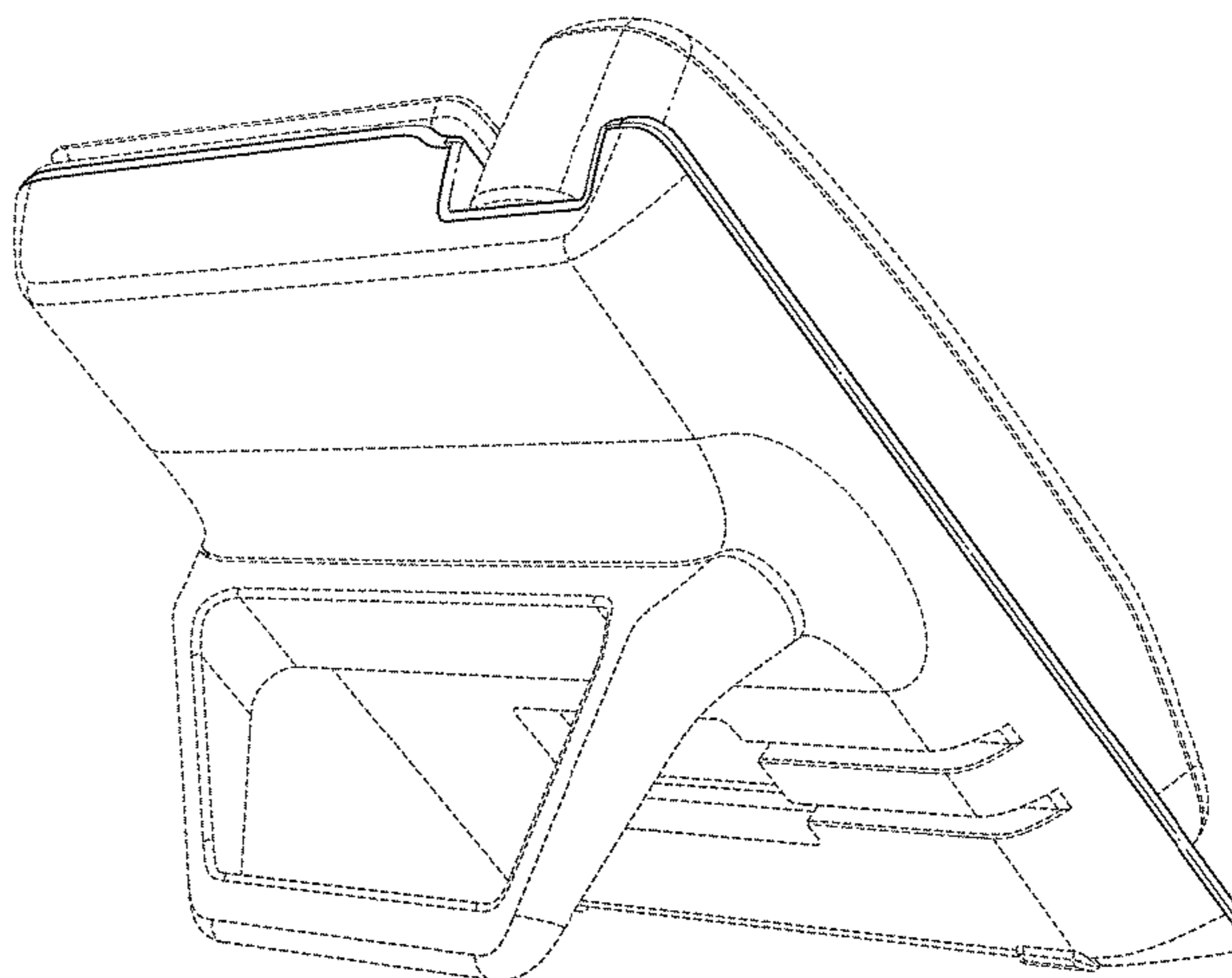
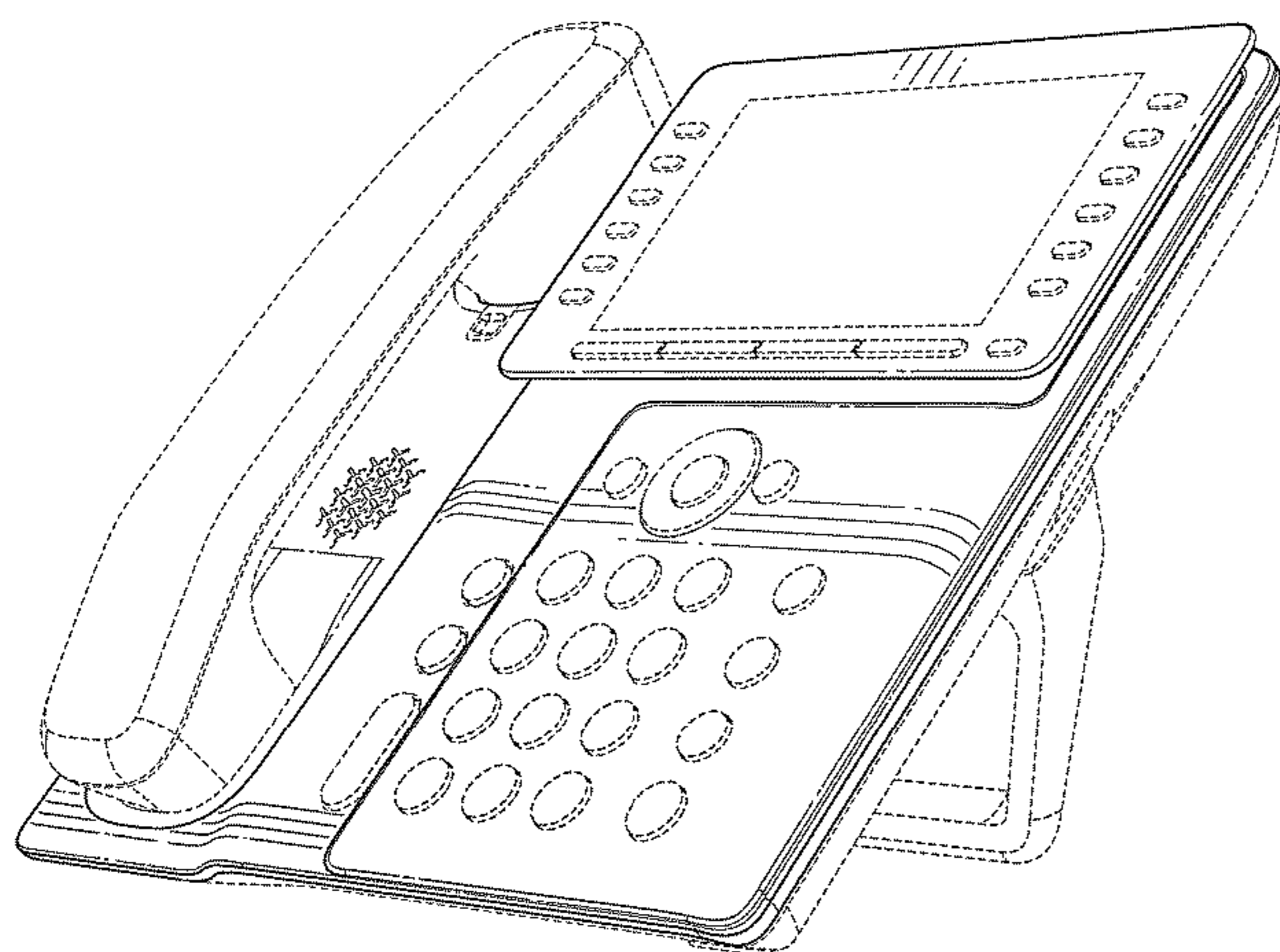
DESCRIPTION

FIG. 1 is a front-right perspective view of a desk phone, showing our new design;
FIG. 2 is a top-left-back perspective view thereof;
FIG. 3 is a bottom view thereof;
FIG. 4 is a top view thereof;
FIG. 5 is a left-side view thereof;
FIG. 6 is a right-side view thereof;
FIG. 7 is a front view thereof; and,
FIG. 8 is a back view thereof.

The broken lines in FIGS. 1-8 depict portions of the desk phone that form no part of the claimed Design.

The thin, black lines shown in long dashes with intermittent breaks are shading and/or tangent lines to show contour of the surfaces or curved edges of a desk phone, and do not actually appear on the surface of the device.

1 Claim, 8 Drawing Sheets



(56)

References Cited

U.S. PATENT DOCUMENTS

D301,475	S	*	6/1989	Nagele	D14/142
D303,114	S	*	8/1989	Danielson	D14/149
D304,326	S	*	10/1989	Perkins	D14/149
D307,009	S	*	4/1990	Boykiw	D14/149
D311,398	S	*	10/1990	Sugano	D14/142
D314,374	S	*	2/1991	Sasaki	D14/151
D318,469	S	*	7/1991	Joffe	D14/146
D319,829	S	*	9/1991	Wu	D14/149
D321,188	S	*	10/1991	Gordon	D14/142
D323,657	S	*	2/1992	Danielson	D14/371
D324,036	S	*	2/1992	Wakasa	D14/329
D325,730	S	*	4/1992	van der Zon	D14/138 AA
D330,028	S	*	10/1992	Gagnon	D14/151
D330,201	S	*	10/1992	Preece	D14/247
D335,667	S	*	5/1993	Kawakami	D14/142
D346,785	S	*	5/1994	Lundell	D14/149
D349,899	S	*	8/1994	Siddoway	D14/151
D352,032	S	*	11/1994	Cowan	D14/151
D356,087	S	*	3/1995	Jarrett	D14/151
5,432,836	A	*	7/1995	Jarrett	H04M 1/0297 379/435
D366,484	S	*	1/1996	Levin	D14/151
D368,091	S	*	3/1996	Yoshihiko	D14/151
D369,601	S	*	5/1996	Tomoike	D14/149
D395,304	S	*	6/1998	Mori	D14/151
D401,235	S	*	11/1998	Fuke	D14/149
5,862,214	A	*	1/1999	Aggus	H04M 1/02 379/435
D408,817	S	*	4/1999	Ishibashi	D14/149
D410,229	S	*	5/1999	Chiocchi	D14/331
D411,987	S	*	7/1999	Mizusugi	D14/329
D412,171	S	*	7/1999	Girardi	D14/151
D423,001	S	*	4/2000	Shindo	D14/149
D425,856	S	*	5/2000	Shindo	D14/149
D426,536	S	*	6/2000	Shindo	D14/151
D427,985	S	*	7/2000	Takayama	D14/151
D431,541	S	*	10/2000	Nagele	D14/149
D432,107	S	*	10/2000	Isonaga	D14/149
D432,108	S	*	10/2000	Isonaga	D14/151
D432,497	S	*	10/2000	Totsuka	D13/110
D433,677	S	*	11/2000	Tsuge	D13/184
D435,040	S	*	12/2000	Shen	D14/141.3
D442,158	S	*	5/2001	Isonaga	D14/151
D457,509	S	*	5/2002	Ohwada	D14/151
D471,171	S	*	3/2003	Yamanouchi	D14/151
D471,527	S	*	3/2003	Yamanouchi	D14/151
D472,227	S	*	3/2003	Takayama	D14/151
D479,517	S	*	9/2003	Weidinger	D14/151
D481,698	S	*	11/2003	Yamada	D14/149
D481,699	S	*	11/2003	Jauregui	D14/151
D481,700	S	*	11/2003	Jauregui	D14/151
D489,700	S	*	5/2004	Hillenmayer	D14/151
D490,795	S	*	6/2004	Watanabe	D14/151
D499,711	S	*	12/2004	Baswell	D14/151
D511,153	S	*	11/2005	dos Santos	D14/151
D512,703	S	*	12/2005	Ookawa	D14/149
D529,477	S	*	10/2006	Hsu	D14/151
D529,894	S	*	10/2006	Yanagisawa	D14/151
D530,303	S	*	10/2006	Tang	D14/151
D531,613	S	*	11/2006	Lesniak	D14/151
D535,277	S	*	1/2007	Mamizuka	D14/151
D537,065	S	*	2/2007	Chen	D14/151
D551,203	S	*	9/2007	Abe	D14/151
D552,071	S	*	10/2007	Park	D14/151
D555,143	S	*	11/2007	Chou	D14/151
D556,180	S	*	11/2007	Udagawa	D14/151
D556,181	S	*	11/2007	Liu	D14/151
D558,180	S	*	12/2007	Daly	D14/151
D558,727	S	*	1/2008	Daly	D14/149
D558,729	S	*	1/2008	Daly	D14/151
D565,020	S	*	3/2008	Daly	D14/149
D571,361	S		6/2008	Moriyama	
D576,998	S	*	9/2008	Furuno	D14/151
D581,897	S	*	12/2008	Katori	D14/151
D582,886	S	*	12/2008	Woo	D14/151
D585,397	S	*	1/2009	Hwang	D14/149
D601,136	S		9/2009	Miles et al.	
D604,258	S	*	11/2009	Rinaldi	D14/159
D608,759	S	*	1/2010	Chun	D14/151
D611,031	S	*	3/2010	Lesniak	D14/151
D613,724	S	*	4/2010	Kao	D14/151
D615,066	S	*	5/2010	Huang	D14/142
D620,464	S	*	7/2010	Quiros	D14/130
D620,472	S	*	7/2010	Robinson	D14/149
D620,917	S		8/2010	Hattori et al.	
D629,381	S	*	12/2010	Verthein	D14/257
D636,769	S	*	4/2011	Wood	D14/341
D653,646	S	*	2/2012	Hovdal	D14/142
D654,074	S	*	2/2012	Wood	D14/341
D657,772	S	*	4/2012	Shadovitz	D14/150
D657,773	S	*	4/2012	Corsini	D14/151
D658,616	S	*	5/2012	Van Der Flier	D14/130
D658,627	S	*	5/2012	Katori	D14/142
D668,901	S	*	10/2012	Jones	D6/575
D675,592	S	*	2/2013	Fuxen	D14/151
D686,184	S	*	7/2013	Takahata	D14/151
D723,502	S	*	3/2015	Chun	D14/142
D725,623	S	*	3/2015	Hartmann	D14/140
D738,845	S	*	9/2015	Kwak	D14/151
D744,464	S	*	12/2015	Snyder	D14/240
D753,624	S	*	4/2016	Ji	D14/151
D757,677	S	*	5/2016	Hutt	D14/151
D763,219	S	*	8/2016	Engelke	D14/151
D767,527	S	*	9/2016	Hillenmayer	D14/140.8
D776,655	S	*	1/2017	Chen	D14/240
D783,569	S	*	4/2017	Kwak	D14/151
D784,283	S	*	4/2017	Snyder	D14/144
D788,737	S	*	6/2017	Takei	D14/151
D835,060	S	*	12/2018	Peng	D14/151
D835,599	S	*	12/2018	Peng	D14/151
D848,391	S	*	5/2019	Li	D14/151
D851,617	S	*	6/2019	Rodriguez	D14/151
D853,981	S	*	7/2019	Nakano	D14/151
D896,199	S	*	9/2020	Rodriguez	D14/151
10,924,598	B1	*	2/2021	Rodriguez	H04M 1/11
D932,454	S	*	10/2021	Darias	D14/140
D934,832	S	*	11/2021	Su	D14/151
D934,833	S	*	11/2021	Su	D14/151
D934,834	S	*	11/2021	Su	D14/151
D934,835	S	*	11/2021	Su	D14/151
2008/0240416	A1	*	10/2008	Abramson	H04M 1/2477 379/428.03
2011/0216898	A1	*	9/2011	Huang	H04M 1/00 379/428.02
2022/0303378	A1	*	9/2022	Janour	H04M 1/605

* cited by examiner

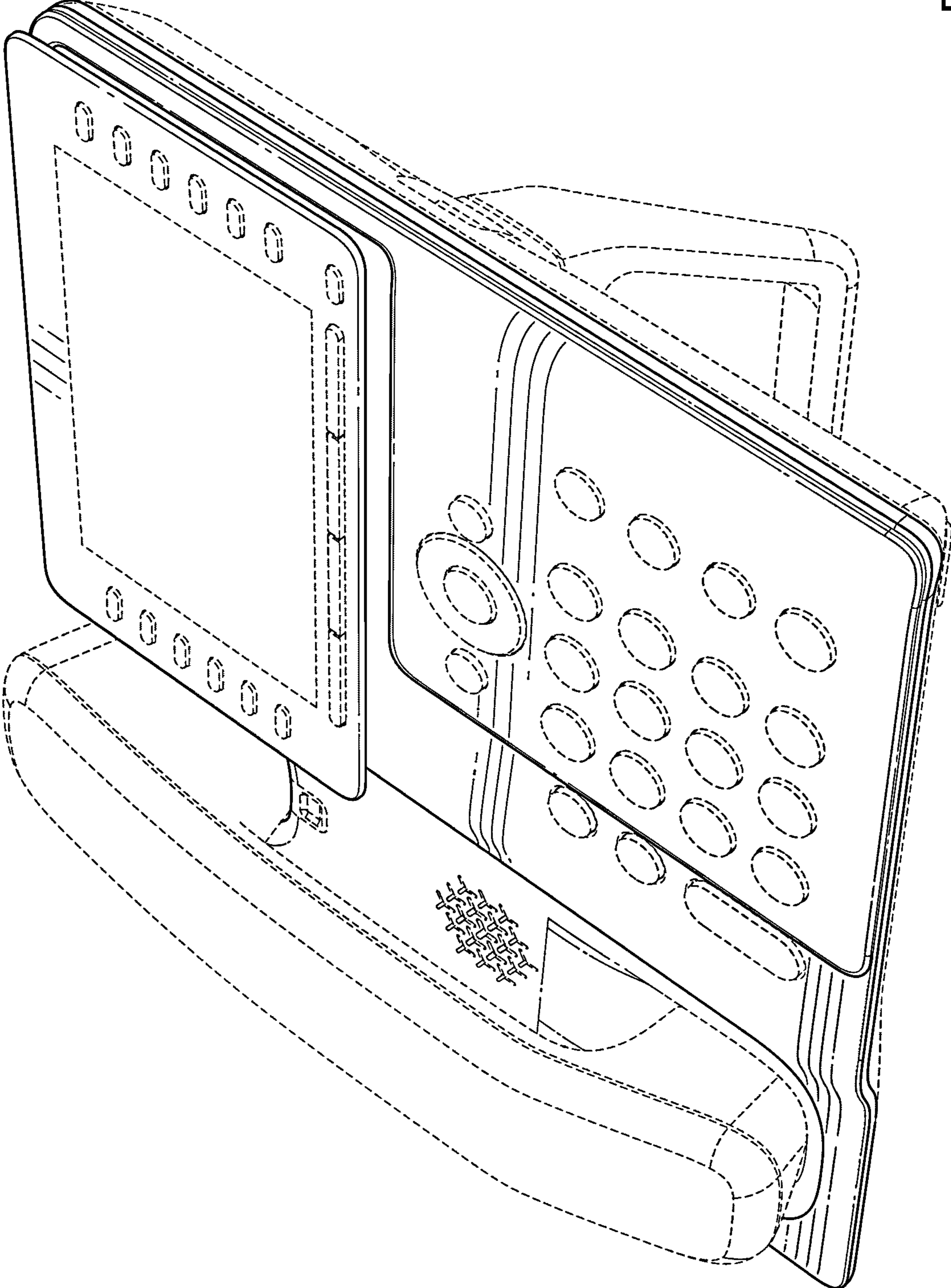


FIG. 1

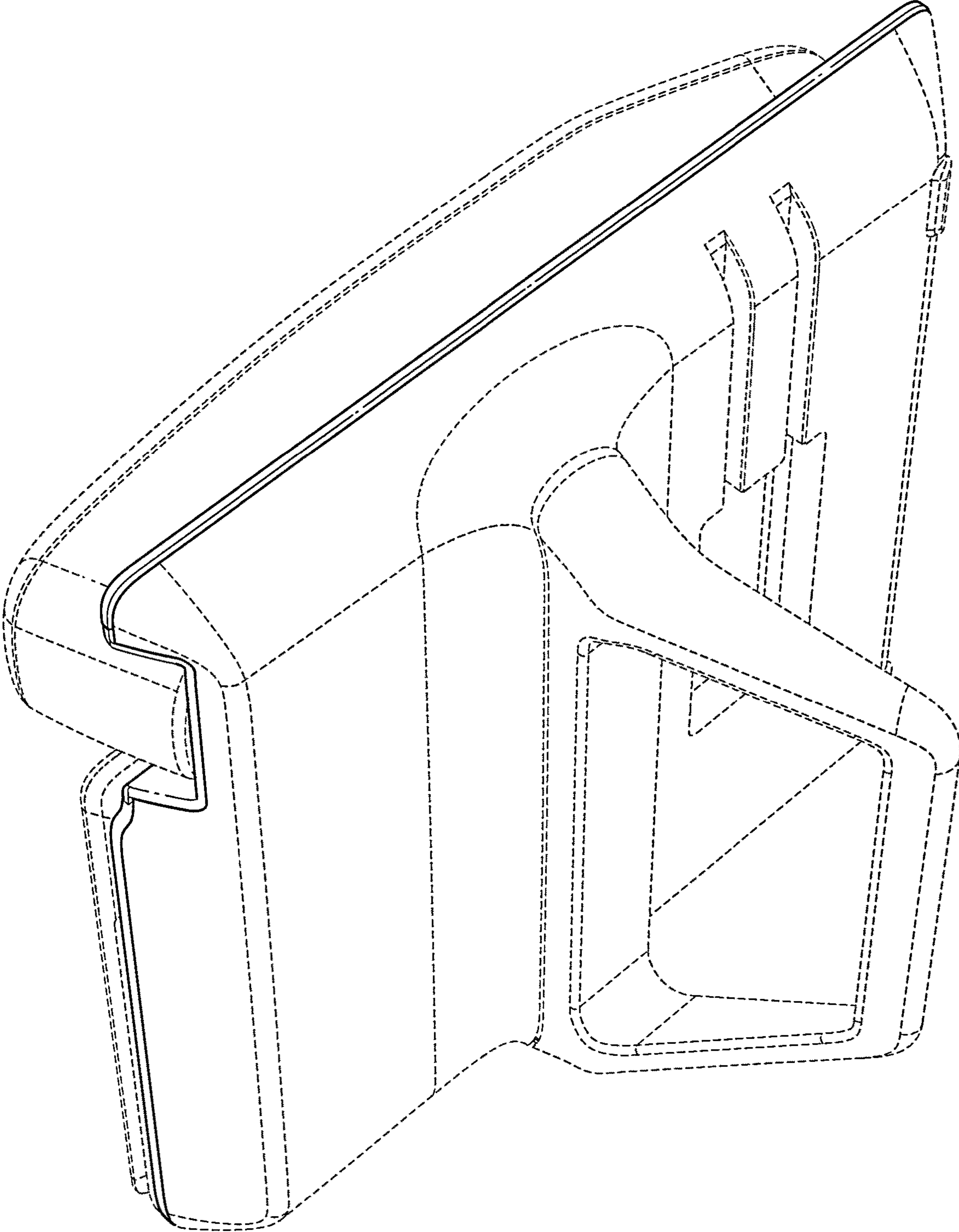


FIG. 2

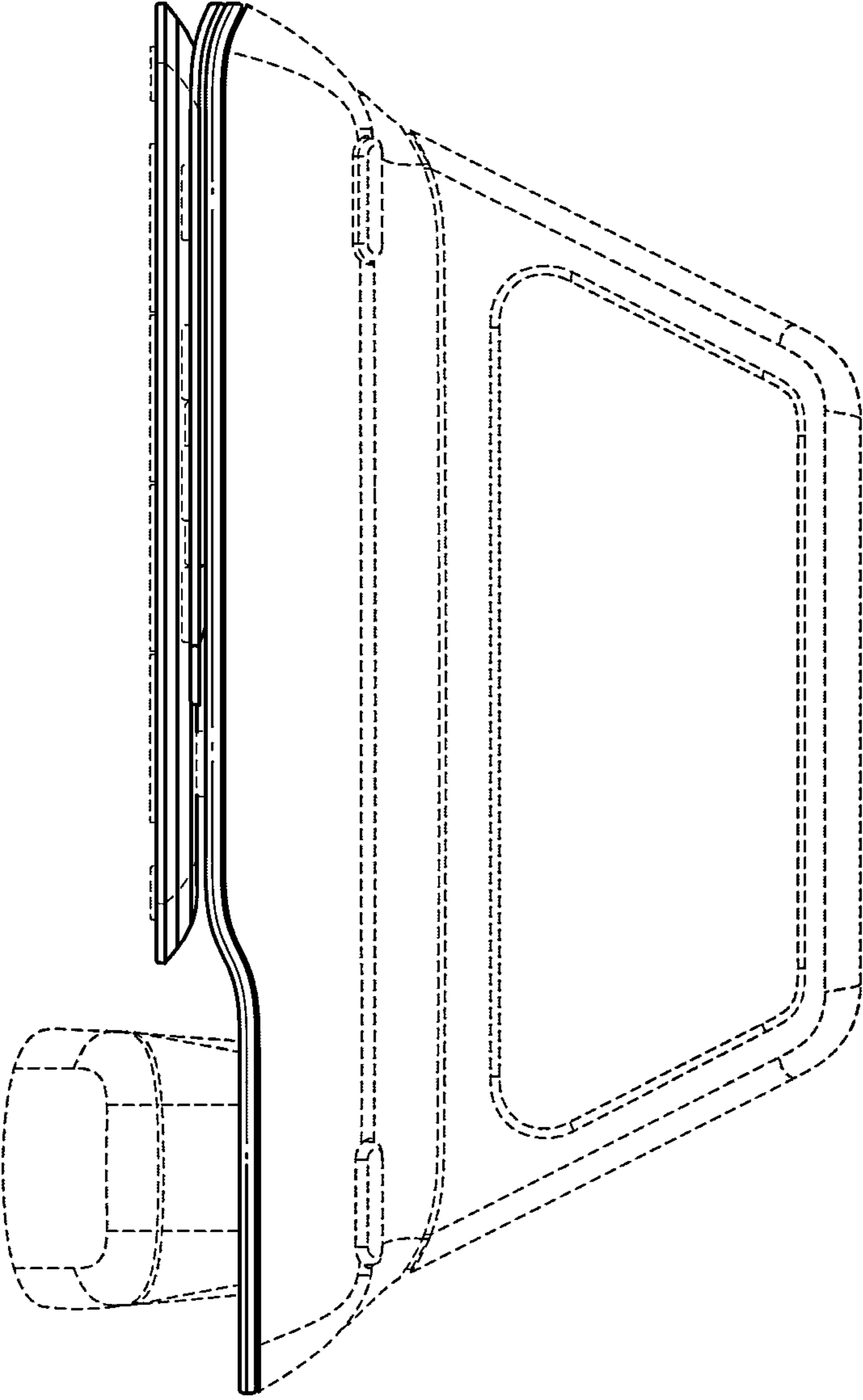


FIG. 3

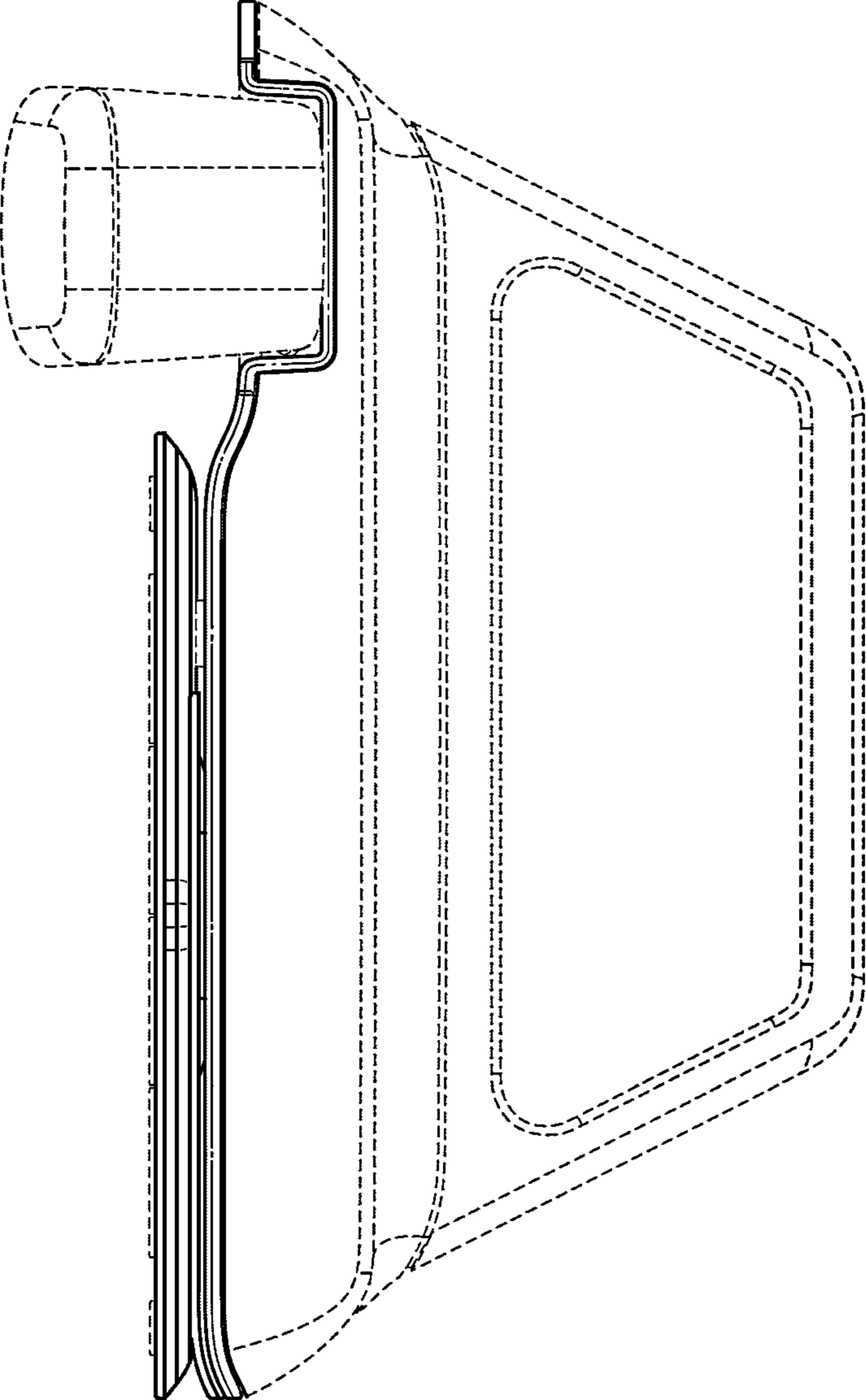


FIG. 4

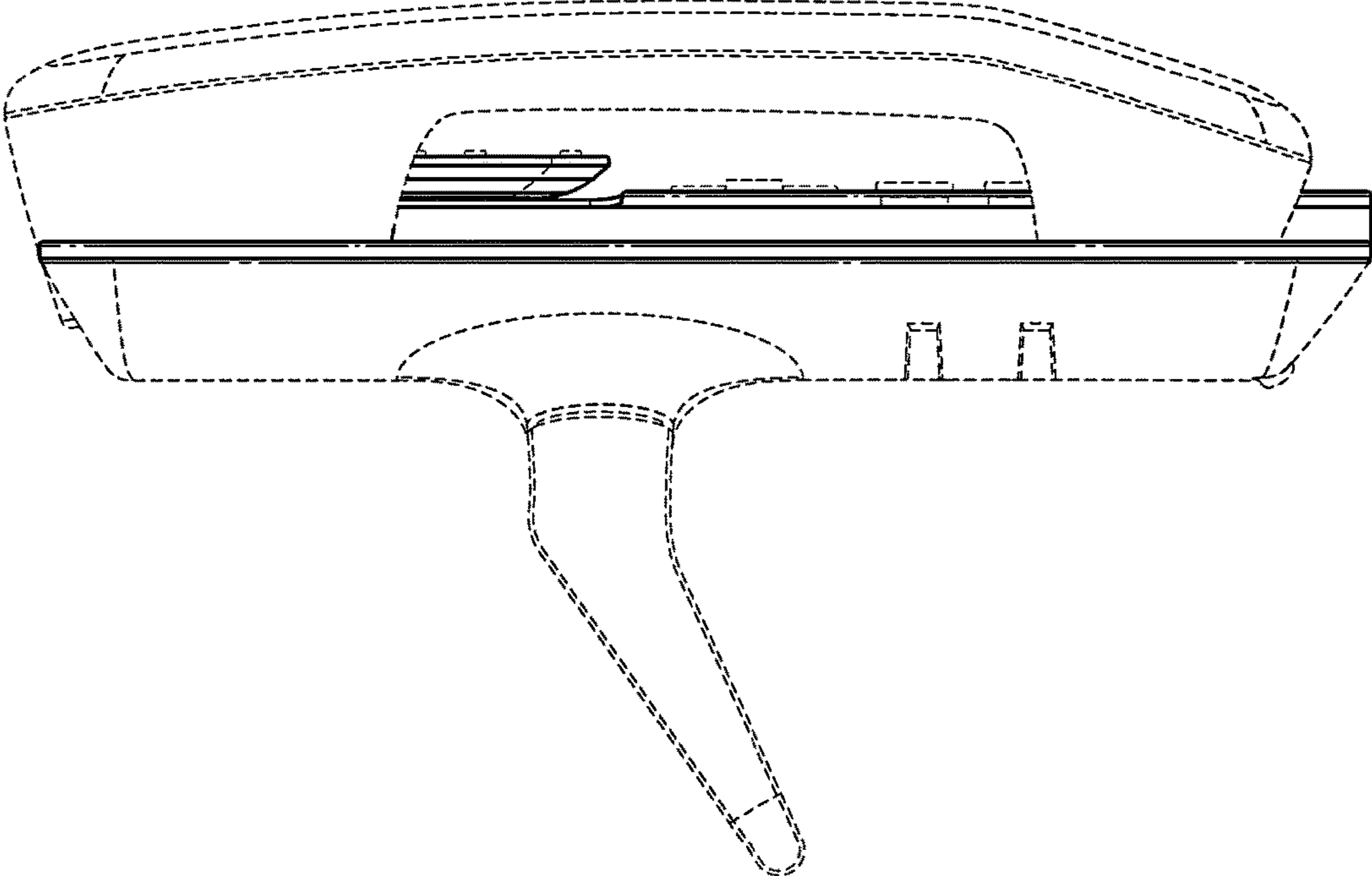


FIG. 5

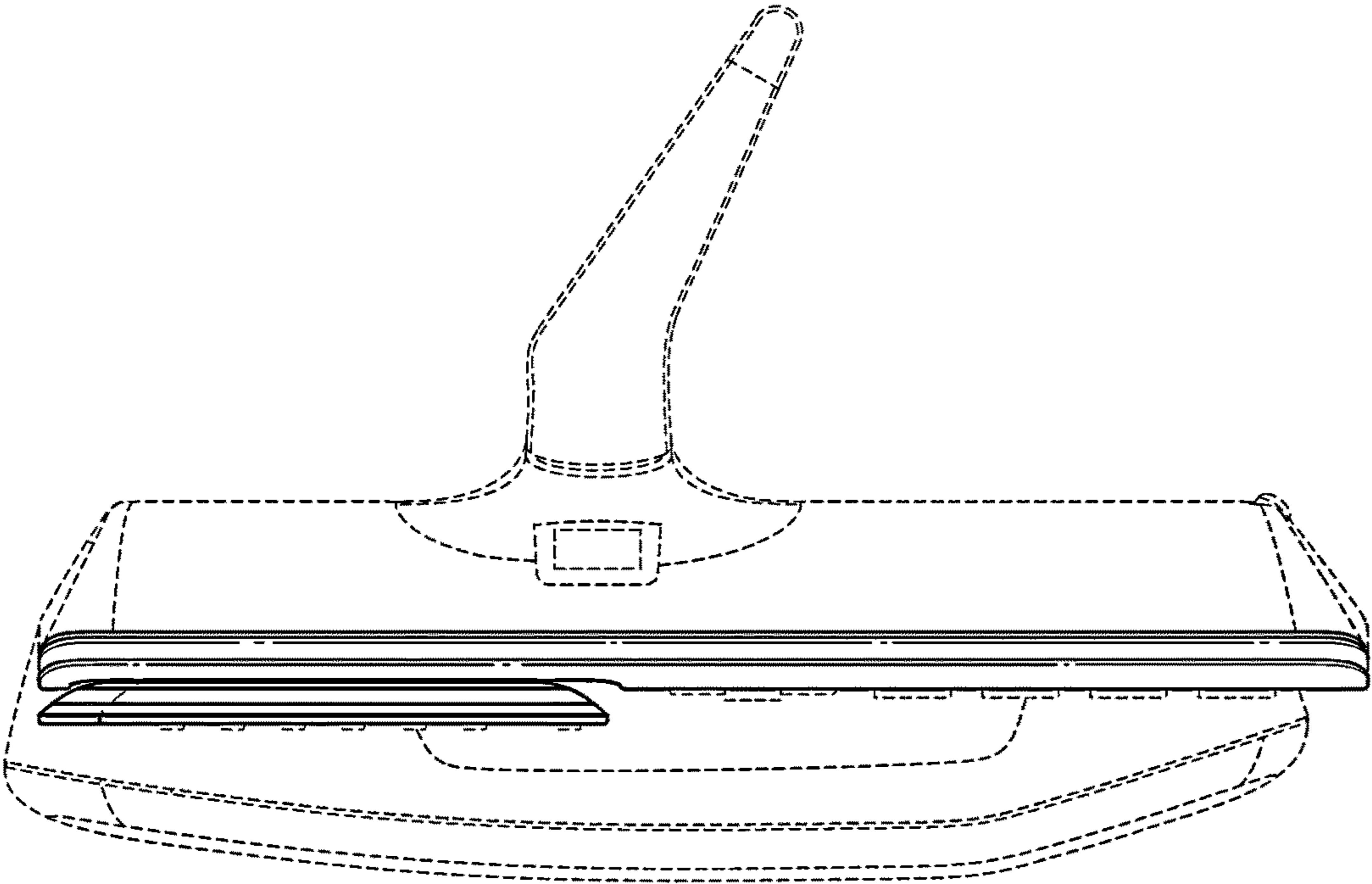


FIG. 6

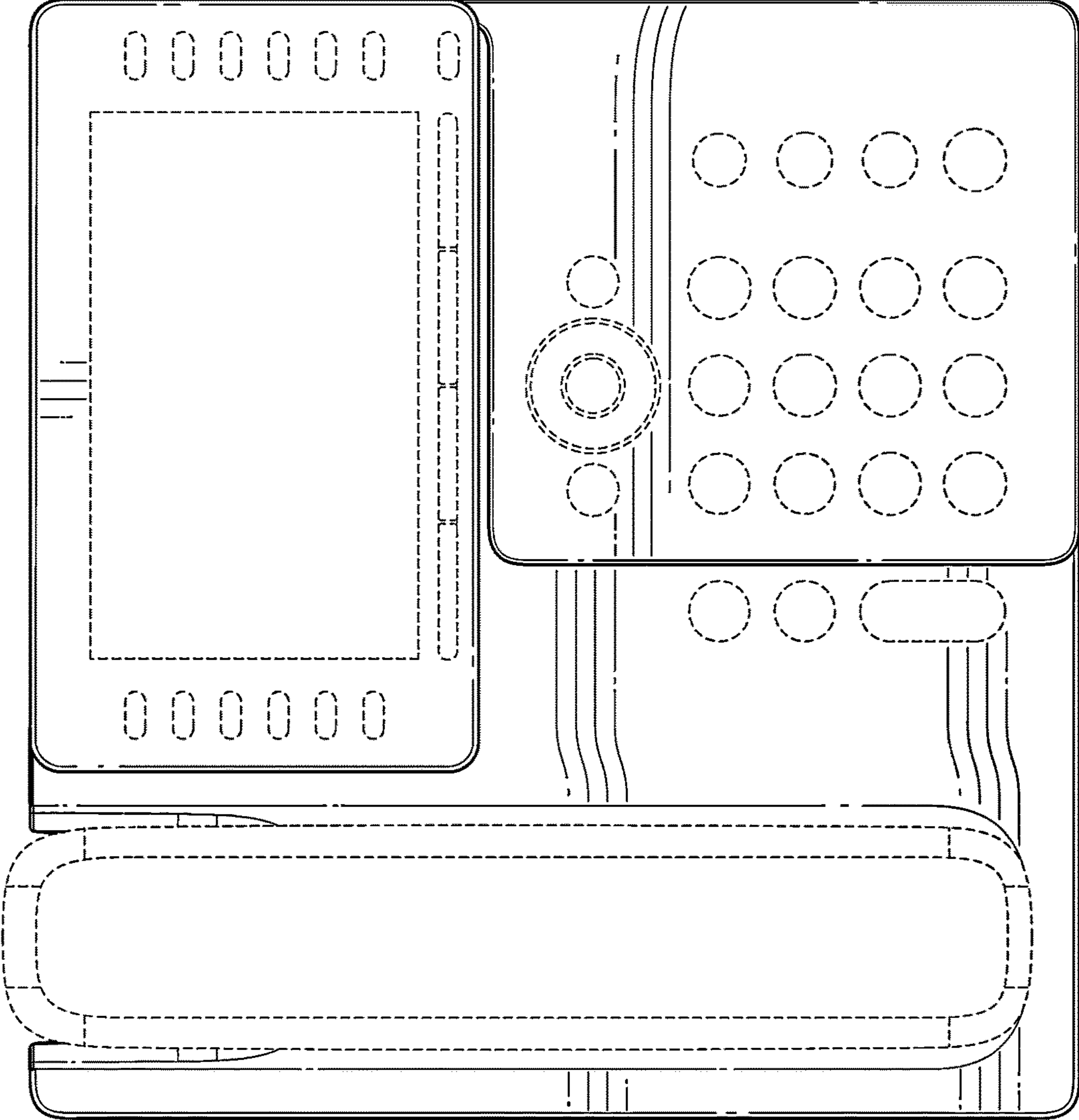


FIG. 7

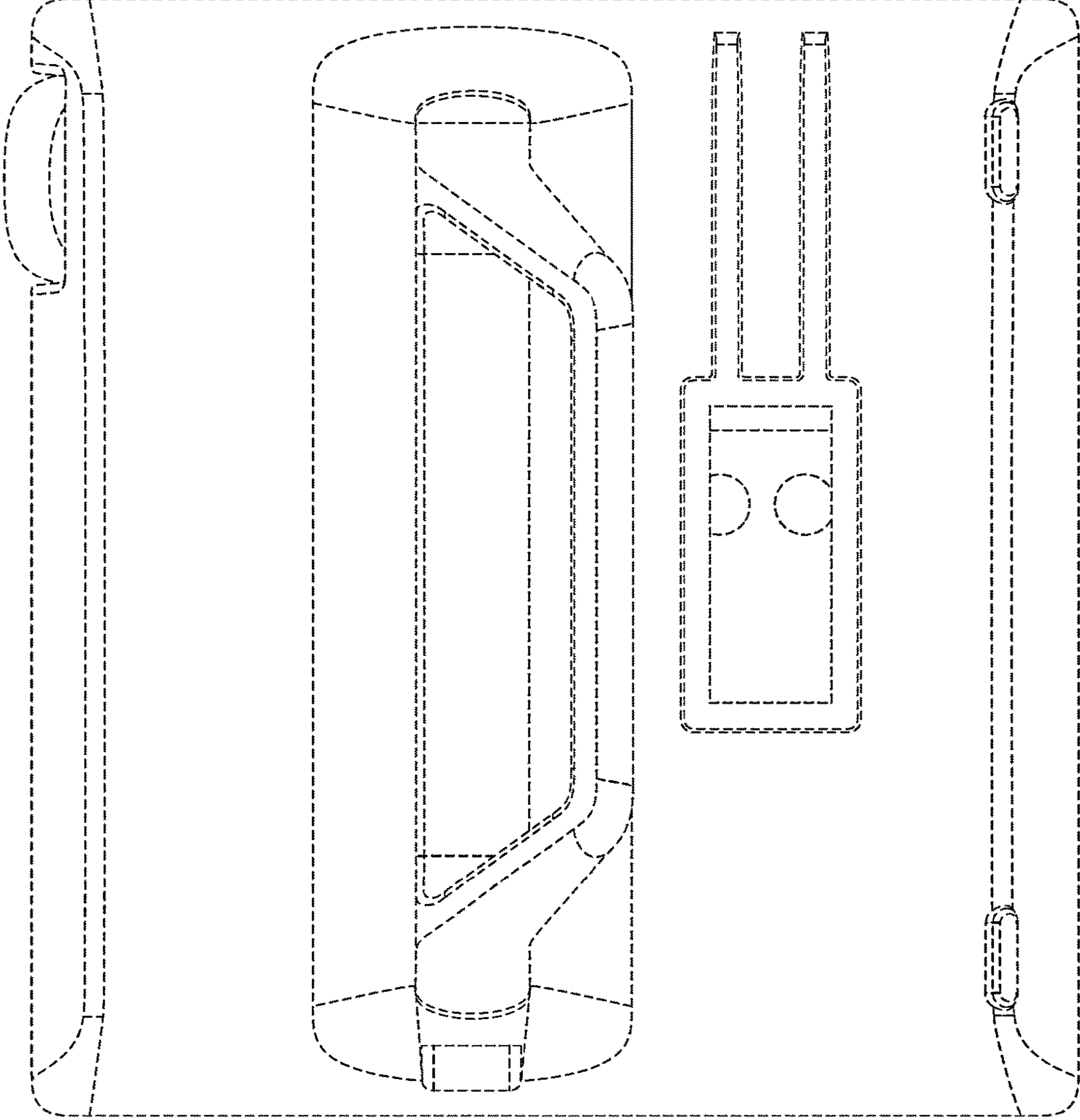


FIG. 8