



US00D986208S

(12) **United States Design Patent**  
**Wang et al.**

(10) **Patent No.:** **US D986,208 S**  
(45) **Date of Patent:** **\*\* May 16, 2023**

- (54) **DESK PHONE**
- (71) Applicant: **Plantronics, Inc.**, Santa Cruz, CA (US)
- (72) Inventors: **Bowman Wang**, Corralitos, CA (US);  
**George Janour**, Santa Cruz, CA (US)
- (73) Assignee: **Plantronics, Inc.**, Santa Cruz, CA (US)
- (\*\*) Term: **15 Years**
- (21) Appl. No.: **29/841,458**
- (22) Filed: **Jun. 6, 2022**

D292,090 S	9/1987	Shintomi	
D293,783 S	1/1988	Martinez	
D295,623 S	5/1988	Gilberton	
D296,437 S	6/1988	Martinez	
D298,618 S	11/1988	Martinez	
D299,456 S *	1/1989	Kuo .....	D14/151
D300,025 S	2/1989	Honda	
D301,475 S	6/1989	Nagele	
D303,114 S	8/1989	Danielson	
D304,326 S	10/1989	Perkins	
D307,009 S *	4/1990	Boykiw .....	D14/149
D311,398 S	10/1990	Sugano	

(Continued)

**Related U.S. Application Data**

- (62) Division of application No. 29/740,375, filed on Jul. 2, 2020.
- (51) **LOC (14) Cl.** ..... **14-03**
- (52) **U.S. Cl.**  
USPC ..... **D14/151**
- (58) **Field of Classification Search**  
USPC ... D14/140, 140.1, 140.7, 140.8, 141.2, 142,  
D14/144, 147, 148, 149, 150, 151, 158,  
D14/159, 188, 217, 240, 243, 247, 248,  
D14/251, 299, 329, 330, 338, 130, 462,  
D14/467, 471; D21/517  
CPC ..... H04M 1/00; H04M 1/003; H04M 1/02;  
H04M 1/0289; H04M 1/0297; H04M  
1/0214; H04M 1/03; H04M 1/23; H04M  
1/253; H04M 1/2535; H04M 7/006;  
H04M 1/62  
See application file for complete search history.

(56) **References Cited**

**U.S. PATENT DOCUMENTS**

D263,589 S	3/1982	Read
D282,066 S	1/1986	Menei et al.
D282,655 S	2/1986	Kaku
D291,567 S	8/1987	Read et al.

**FOREIGN PATENT DOCUMENTS**

TW D176839 7/2016

*Primary Examiner* — Marie D. Fast Horse

(74) *Attorney, Agent, or Firm* — Plantronics, Inc.

(57) **CLAIM**

The ornamental design for a desk phone, as shown and described.

**DESCRIPTION**

FIG. 1 is a front perspective view of a desk phone, showing our new design;

FIG. 2 is a top-left-back perspective view thereof;

FIG. 3 is a bottom view thereof;

FIG. 4 is a top view thereof;

FIG. 5 is a left-side view thereof;

FIG. 6 is a right-side view thereof;

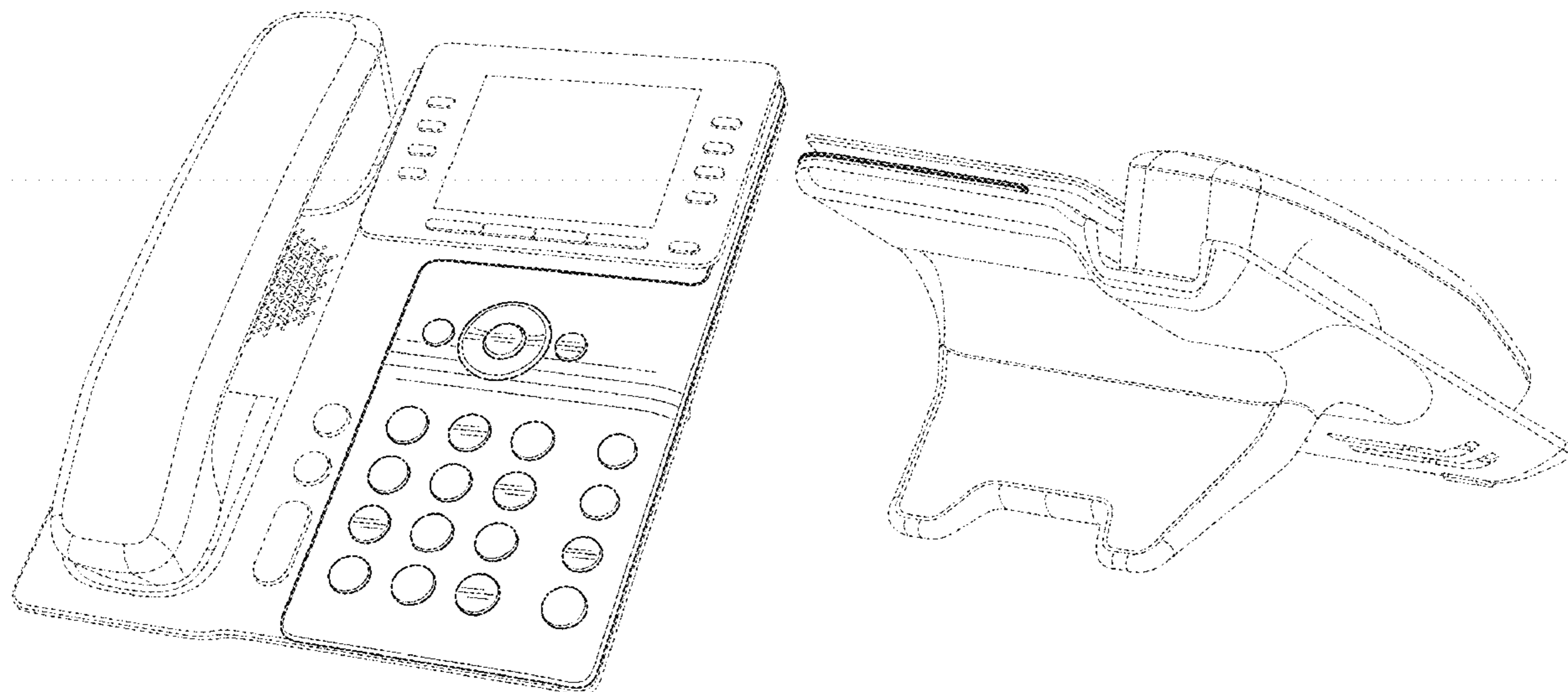
FIG. 7 is a front view thereof; and,

FIG. 8 is a back view thereof.

The broken lines in the drawings depict portions of the desk phone that form no part of the claimed design.

The thin, black lines shown in long dashes with intermittent breaks are shading and/or tangent lines to show contour of the surfaces or curved edges of a desk phone, and do not actually appear on the surface of the device.

**1 Claim, 8 Drawing Sheets**



(56)

References Cited

U.S. PATENT DOCUMENTS

D314,374 S *	2/1991	Sasaki .....	D14/151	D551,203 S *	9/2007	Abe .....	D14/151
D318,469 S	7/1991	Joffe		D552,071 S	10/2007	Park et al.	
D319,829 S	9/1991	Wu		D555,143 S	11/2007	Chou	
D321,188 S	10/1991	Gordon		D556,180 S	11/2007	Udagawa	
D323,657 S	2/1992	Danielson et al.		D556,181 S *	11/2007	Liu .....	D14/151
D324,036 S	2/1992	Wakasa		D558,180 S	12/2007	Daly	
D325,730 S	4/1992	van der Zon		D558,727 S	1/2008	Daly	
D330,028 S	10/1992	Gagnon		D558,729 S	1/2008	Daly	
D330,201 S	10/1992	Preece et al.		D565,020 S	3/2008	Daly	
D335,667 S	5/1993	Kawakami et al.		D576,998 S	9/2008	Furuno	
D346,785 S	5/1994	Lundell et al.		D581,897 S	12/2008	Katori	
D349,899 S	8/1994	Siddoway et al.		D582,886 S	12/2008	Woo	
D352,032 S	11/1994	Cowan		D585,397 S	1/2009	Hwang	
D356,087 S	3/1995	Jarrett		D604,258 S	11/2009	Rinaldi et al.	
5,432,836 A	7/1995	Jarrett		D608,759 S	1/2010	Chun	
D366,484 S *	1/1996	Levin .....	D14/151	D611,031 S	3/2010	Lesniak et al.	
D368,091 S *	3/1996	Yoshihiko .....	D14/151	D613,724 S	4/2010	Kao et al.	
D369,601 S	5/1996	Tomoike		D615,066 S	5/2010	Huang et al.	
D395,304 S	6/1998	Mori et al.		D620,464 S	7/2010	Quiros et al.	
D401,235 S	11/1998	Fuke et al.		D620,472 S	7/2010	Robinson et al.	
5,862,214 A	1/1999	Aggus		D629,381 S	12/2010	Verthein et al.	
D408,817 S	4/1999	Ishibashi		D636,769 S	4/2011	Wood et al.	
D410,229 S	5/1999	Chiocchi		D653,646 S	2/2012	Hovdal	
D411,987 S	7/1999	Mizusugi et al.		D654,074 S	2/2012	Wood et al.	
D412,171 S	7/1999	Girardi		D657,772 S	4/2012	Shadovitz et al.	
D423,001 S	4/2000	Shindo		D657,773 S	4/2012	Corsini et al.	
D432,497 S	4/2000	Nogas		D658,616 S	5/2012	Van Der Flier et al.	
D425,856 S	5/2000	Shindo		D658,627 S	5/2012	Katori	
D426,536 S	6/2000	Shindo		D668,901 S	10/2012	Jones et al.	
D427,985 S *	7/2000	Takayama .....	D14/151	D675,592 S	2/2013	Fuxen	
D431,541 S	10/2000	Nagele et al.		D686,184 S	7/2013	Takahata et al.	
D432,107 S	10/2000	Isonaga		D723,502 S *	3/2015	Chun .....	D14/142
D432,108 S	10/2000	Isonaga		D725,623 S	3/2015	Hartmann et al.	
D433,677 S	11/2000	Tsuge		D738,845 S	3/2015	Kwak	
D435,040 S	12/2000	Shen		D744,464 S	12/2015	Snyder et al.	
D442,158 S	5/2001	Isonaga		D753,624 S	4/2016	Ji	
D457,509 S	5/2002	Ohwada		D757,677 S	5/2016	Hutt et al.	
D471,171 S	3/2003	Yamanouchi et al.		D763,219 S	8/2016	Engelke et al.	
D471,527 S	3/2003	Yamanouchi et al.		D767,527 S	9/2016	Hillenmayer	
D472,227 S	3/2003	Takayama		D776,655 S	1/2017	Chen	
D479,517 S	9/2003	Weidinger		D783,569 S	4/2017	Kwak	
D481,698 S	11/2003	Yamada et al.		D784,283 S	4/2017	Snyder et al.	
D481,699 S	11/2003	Jauregui et al.		D788,737 S *	6/2017	Takei .....	D14/151
D481,700 S	11/2003	Jauregui et al.		D835,060 S	12/2018	Peng	
D489,700 S *	5/2004	Hillenmayer .....	D14/151	D835,599 S	12/2018	Peng	
D490,795 S	6/2004	Watanabe		D848,391 S *	5/2019	Li .....	D14/151
D499,711 S	12/2004	Buswell		D851,617 S	6/2019	Rodriguez et al.	
D511,153 S	11/2005	dos Santos		D853,981 S	7/2019	Nakano et al.	
D512,703 S	12/2005	Ookawa		D896,199 S	9/2020	Rodriguez et al.	
D529,477 S *	10/2006	Hsu .....	D14/151	10,924,598 B1	2/2021	Rodriguez et al.	
D529,894 S	10/2006	Yanagisawa et al.		D932,454 S *	10/2021	Darias .....	D14/140
D530,303 S	10/2006	Tang		D934,833 S *	11/2021	Su .....	D14/151
D531,613 S	11/2006	Lesniak et al.		D934,834 S *	11/2021	Su .....	D14/151
D535,277 S *	1/2007	Mamizuka .....	D14/151	D934,835 S *	11/2021	Su .....	D14/151
D537,065 S *	2/2007	Chen .....	D14/151	2008/0240416 A1	10/2008	Abramson	
				2011/0216898 A1	9/2011	Huang	
				2022/0303378 A1 *	9/2022	Janour .....	H04M 1/62

\* cited by examiner

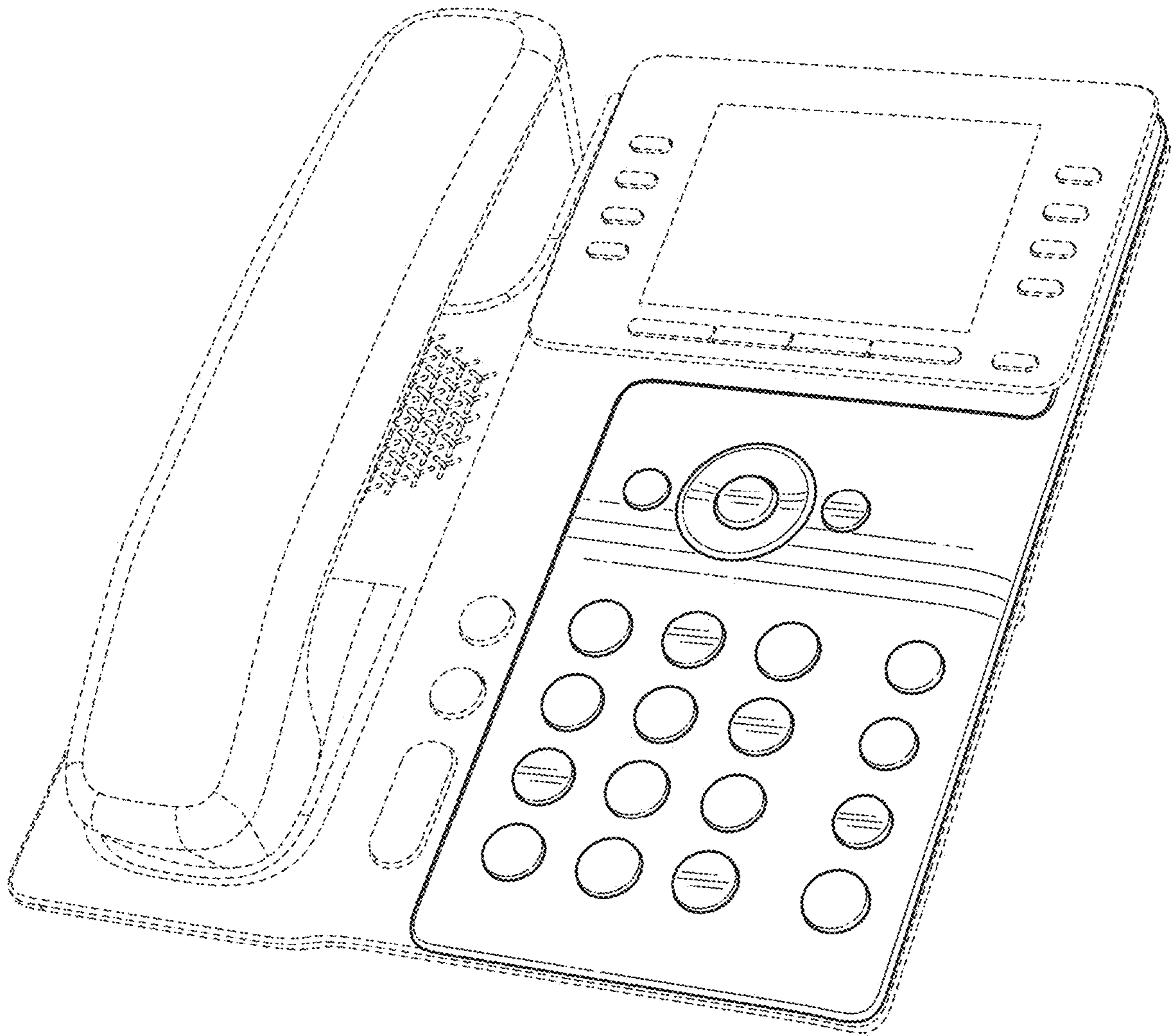


FIG. 1

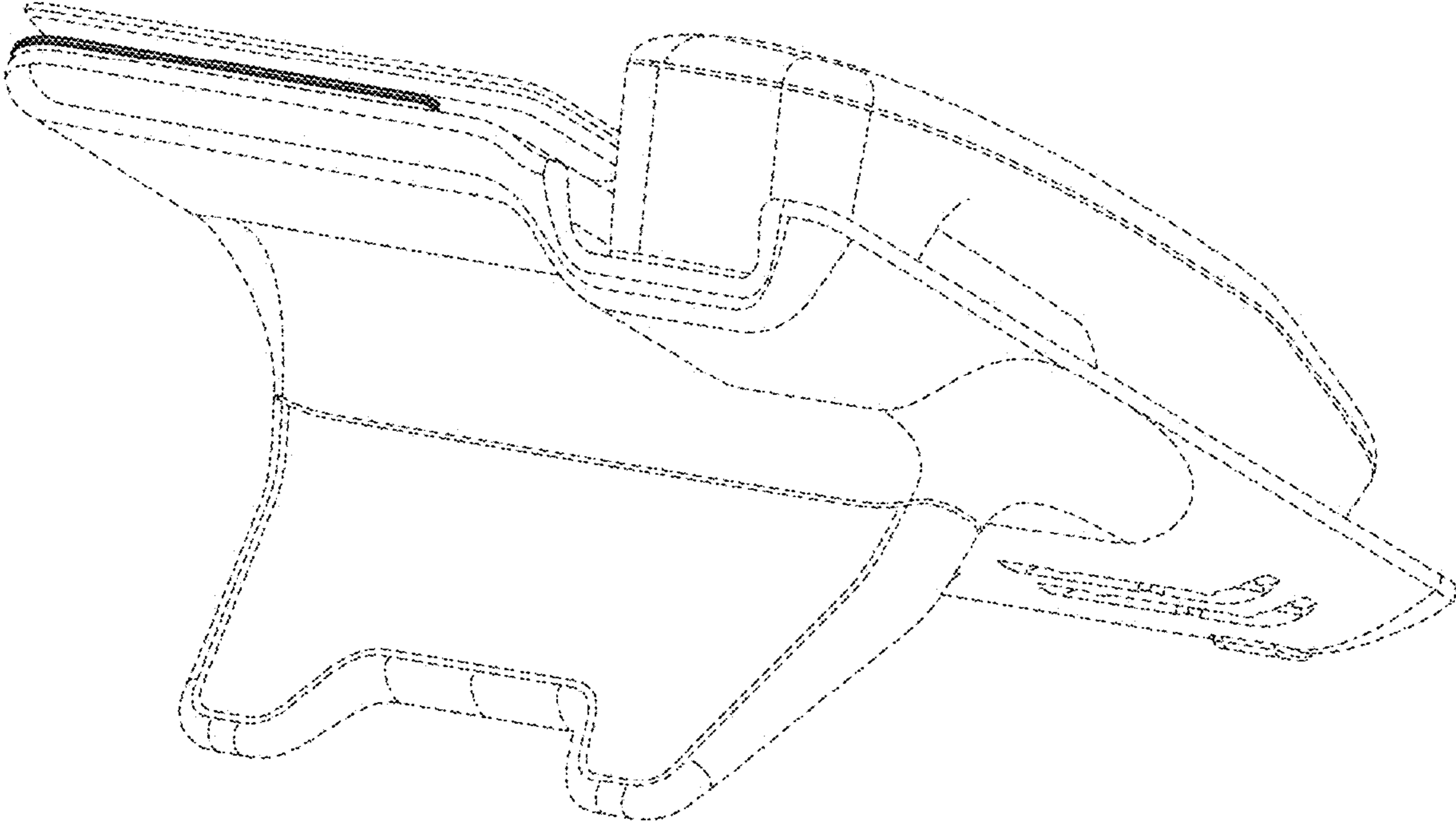


FIG. 2

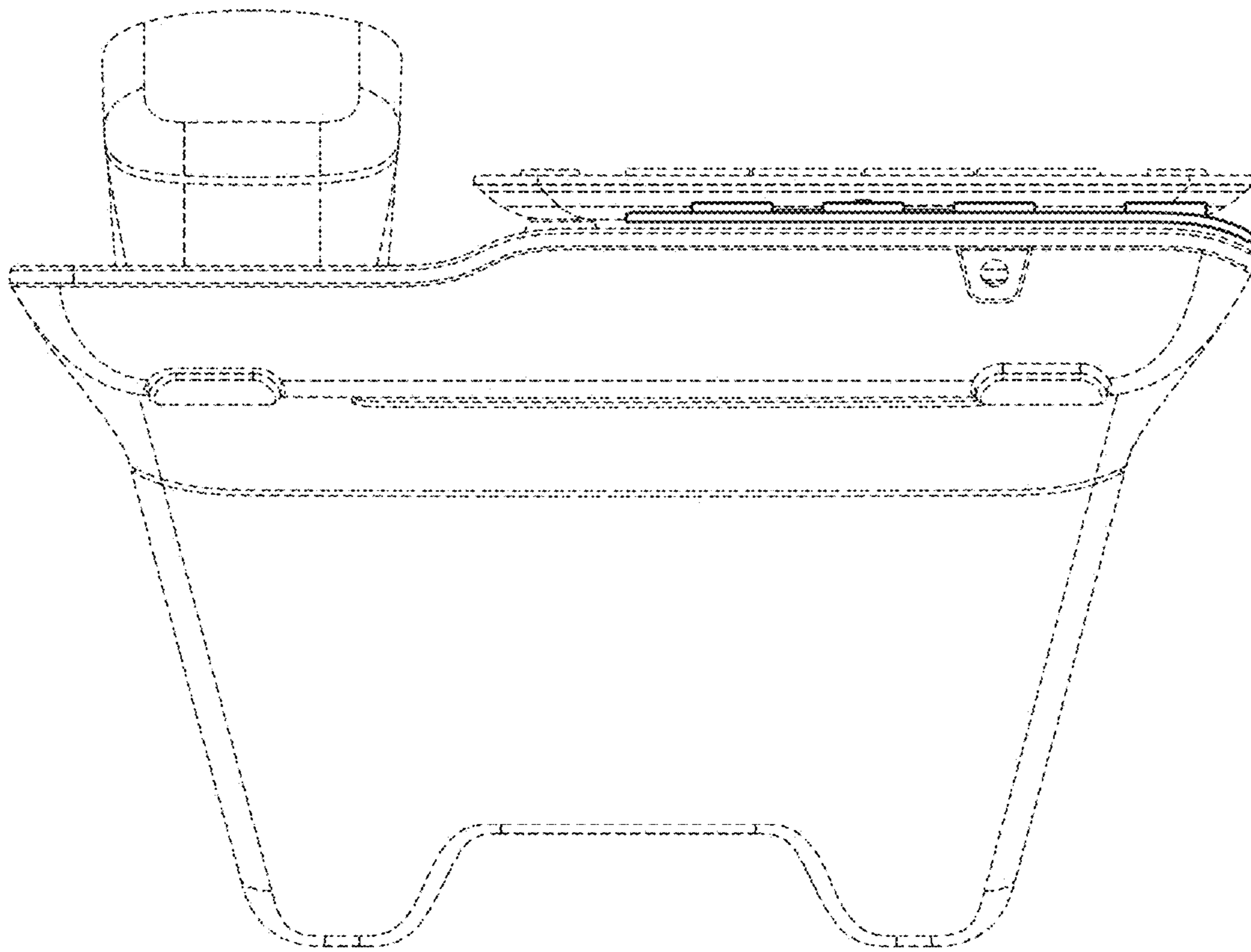


FIG. 3

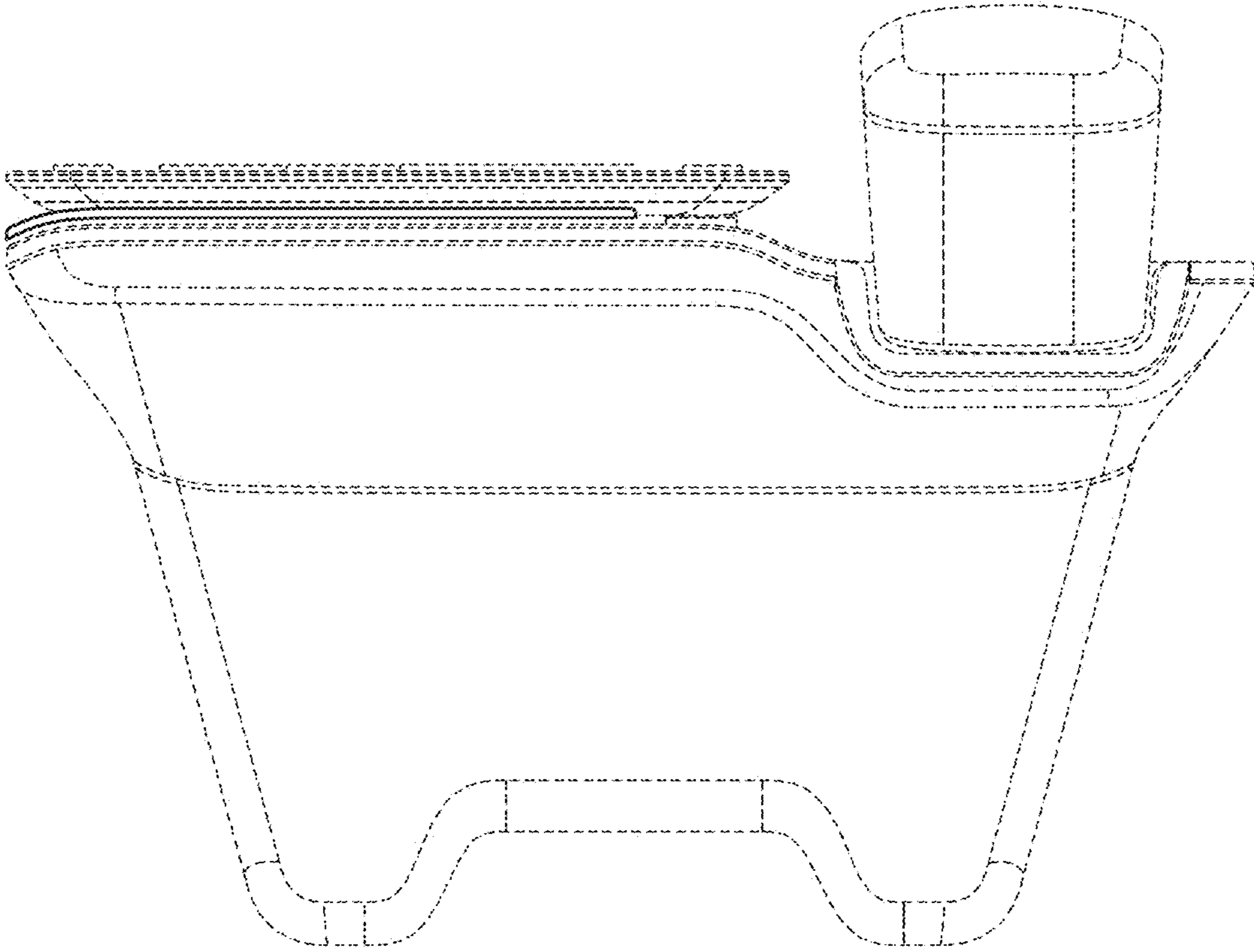


FIG. 4

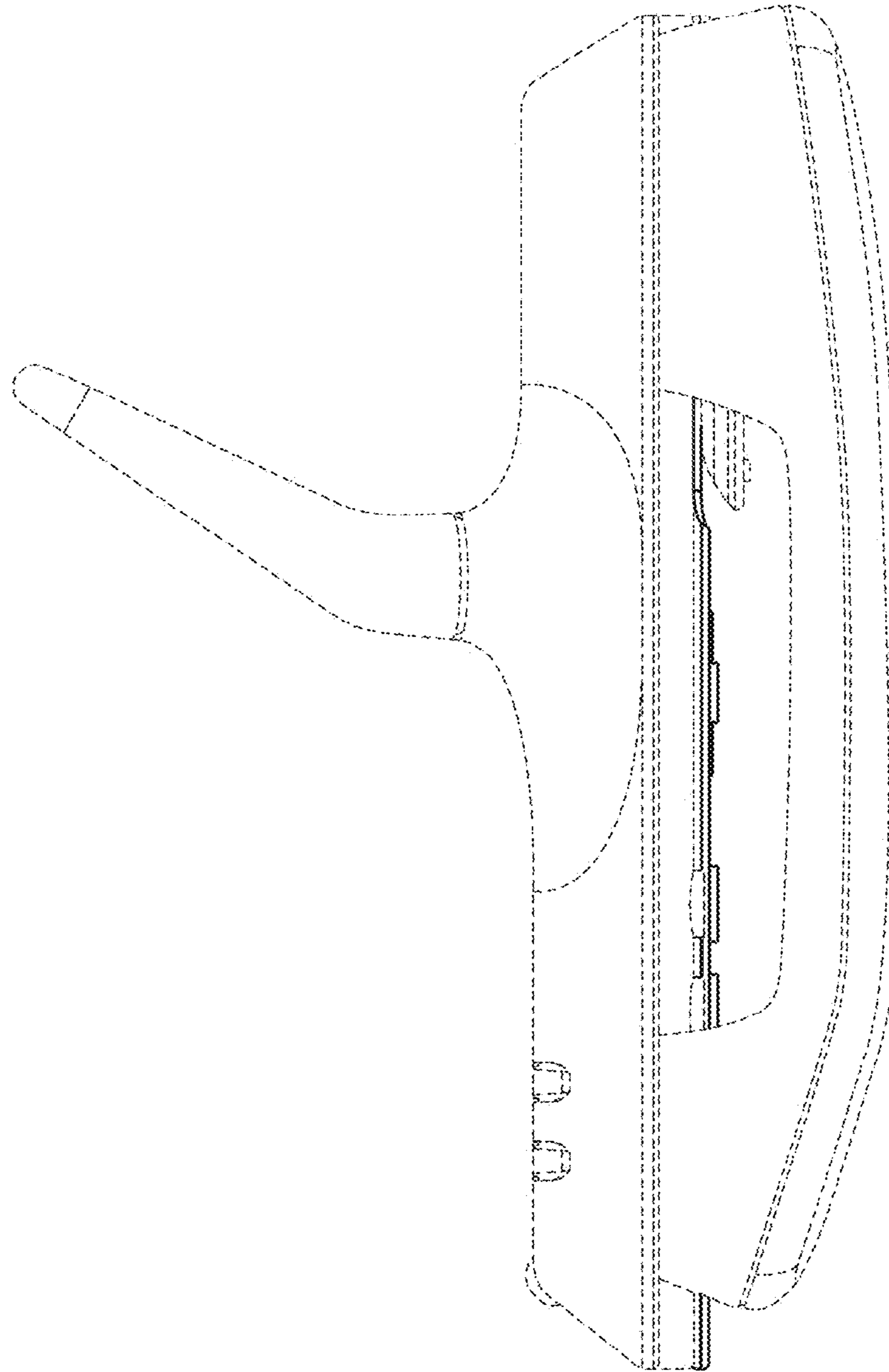


FIG. 5

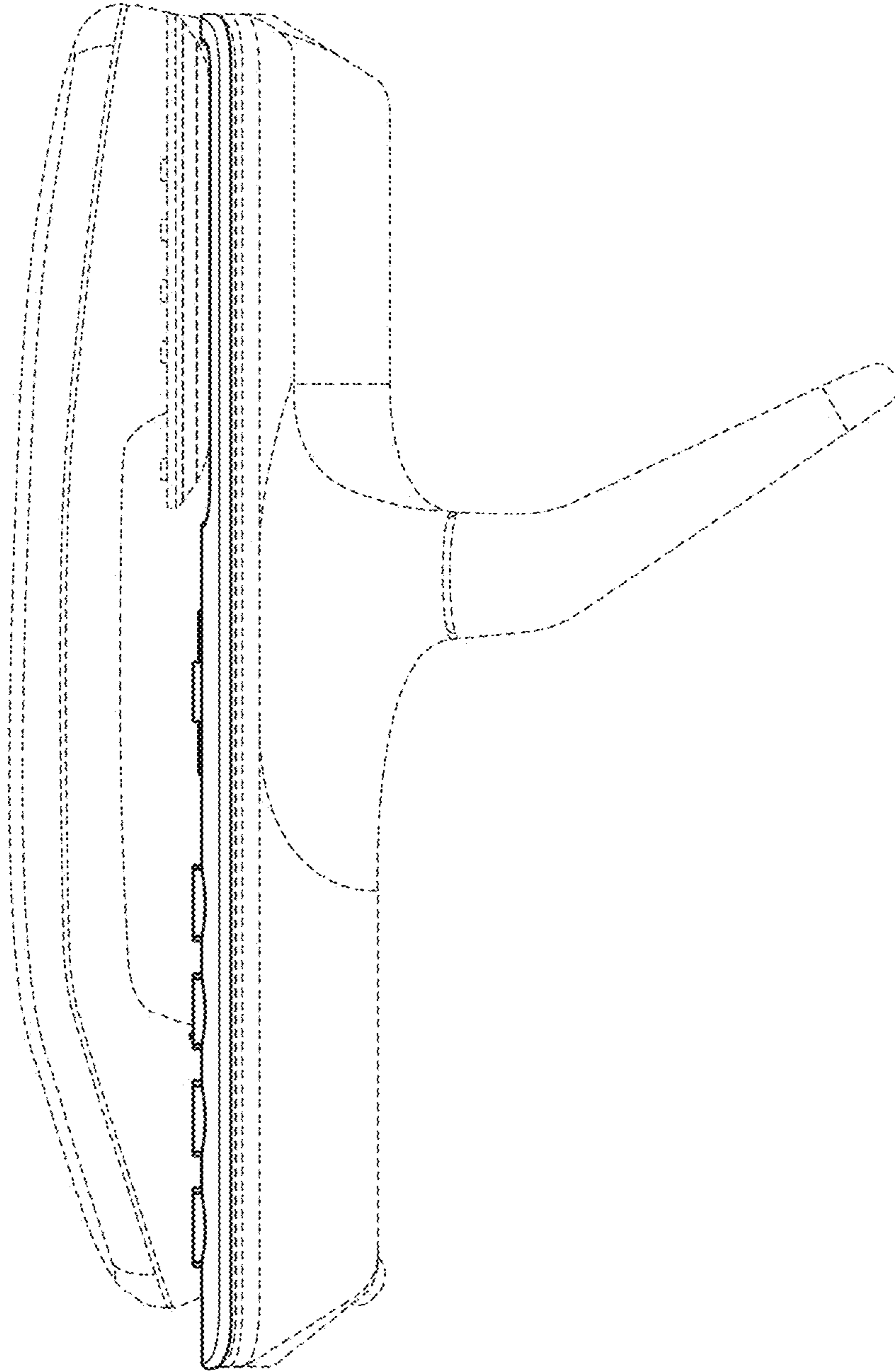


FIG. 6



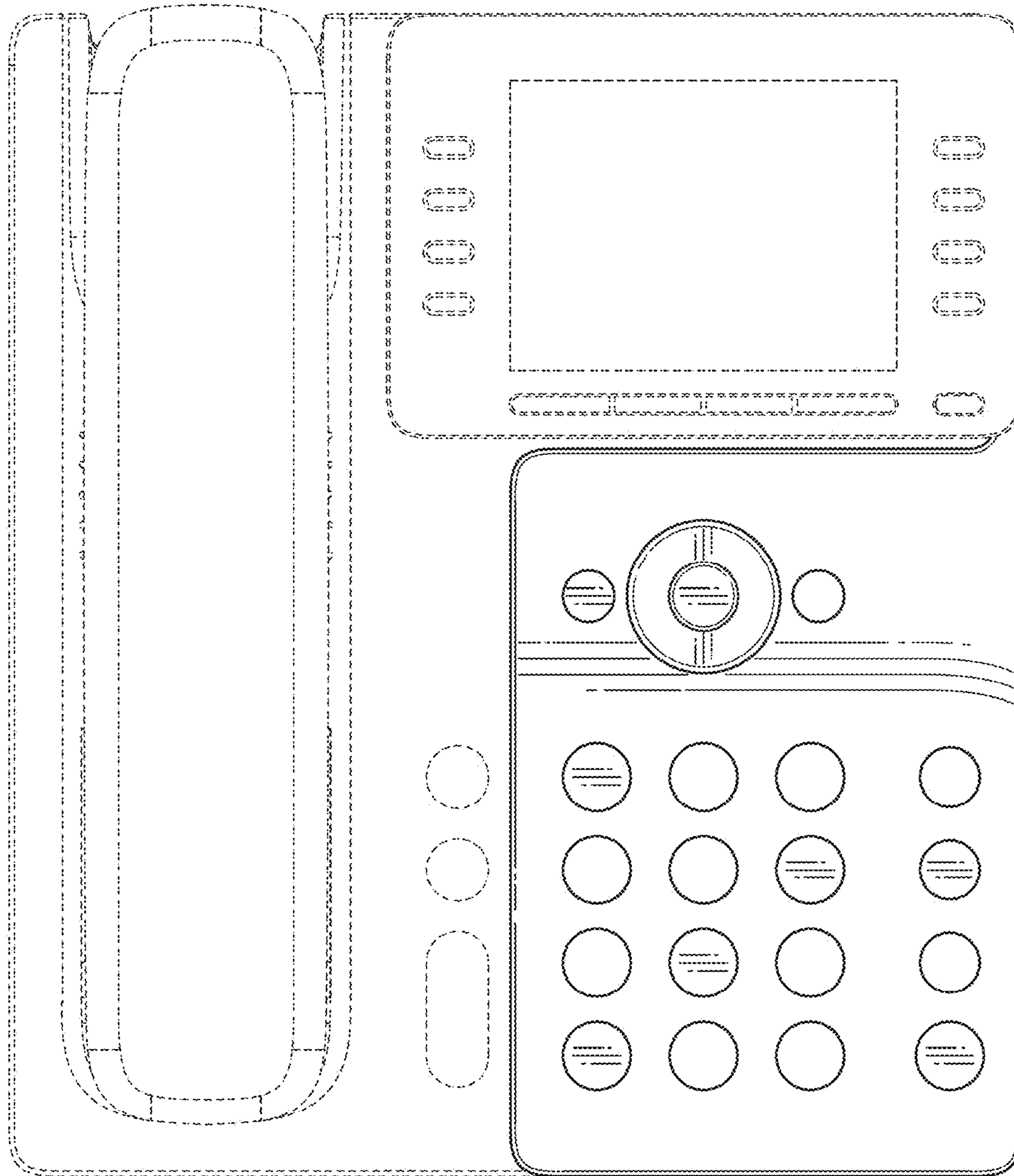


FIG. 7

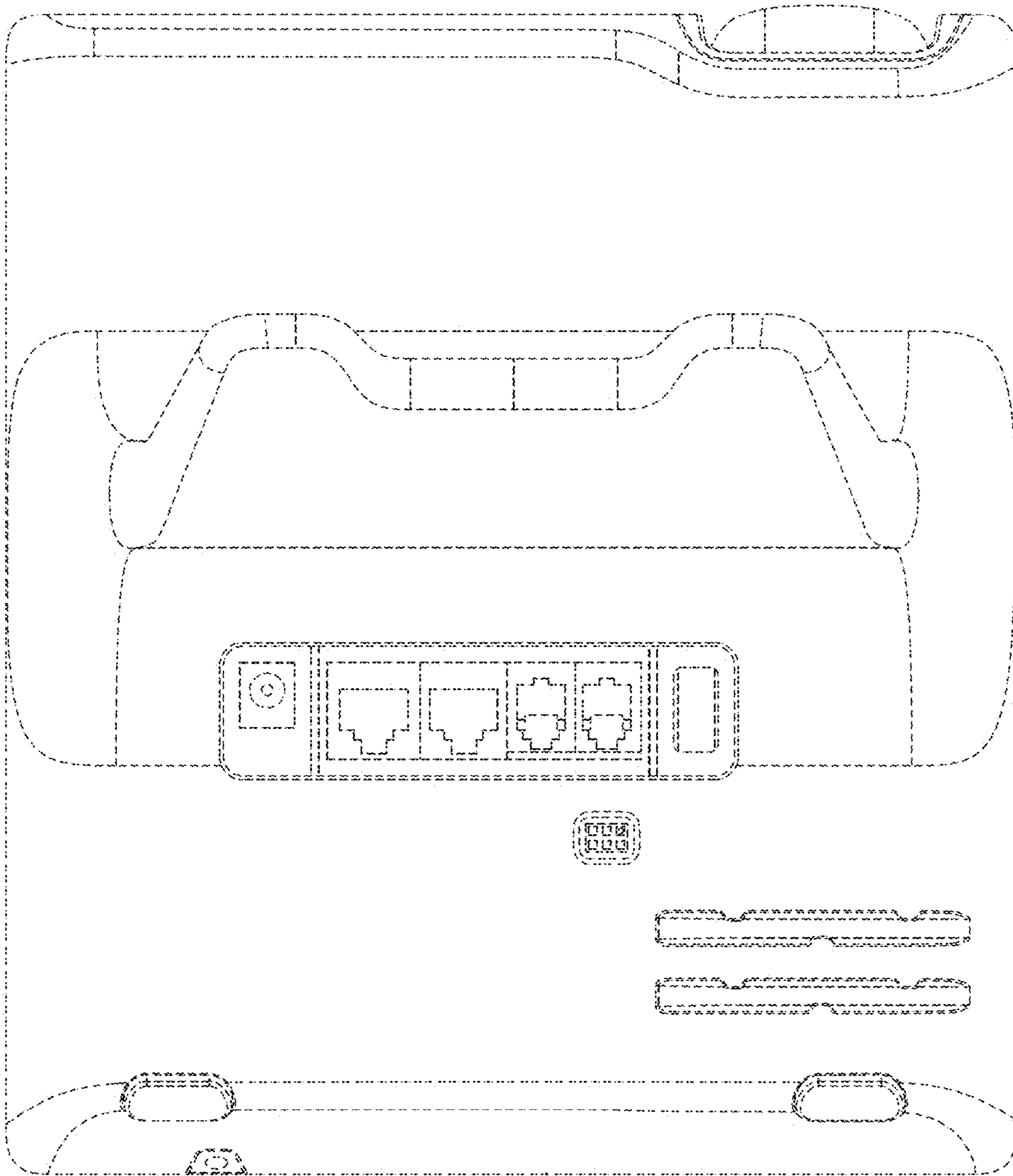


FIG. 8