



US00D986207S

(12) **United States Design Patent**
Wang et al.

(10) **Patent No.:** **US D986,207 S**

(45) **Date of Patent:** **** *May 16, 2023**

(54) **DESK PHONE**

(71) Applicant: **Plantronics, Inc.**, Santa Cruz, CA (US)

(72) Inventors: **Bowman Wang**, Corralitos, CA (US);
George Janour, Santa Cruz, CA (US)

(73) Assignee: **Plantronics, Inc.**, Santra Cruz, CA
(US)

(*) Notice: This patent is subject to a terminal disclaimer.

(**) Term: **15 Years**

(21) Appl. No.: **29/841,453**

(22) Filed: **Jun. 6, 2022**

Related U.S. Application Data

(62) Division of application No. 29/740,375, filed on Jul. 2, 2020.

(51) **LOC (14) Cl.** **14-03**

(52) **U.S. Cl.**
USPC **D14/151**

(58) **Field of Classification Search**

USPC ... D14/140, 140.1, 140.7, 140.8, 141.2, 142,
D14/144, 147, 148, 149, 150, 151, 158,
D14/159, 188, 217, 240, 243, 247, 248,
D14/251, 299, 329, 330, 338, 130, 462,
D14/467, 471; D21/517

CPC H04M 1/00; H04M 1/003; H04M 1/02;
H04M 1/0289; H04M 1/0297; H04M
1/0214; H04M 1/03; H04M 1/23; H04M
1/253; H04M 1/2535; H04M 7/006;
H04M 1/62

See application file for complete search history.

(56) **References Cited**

U.S. PATENT DOCUMENTS

D263,589 S 3/1982 Read
D282,066 S 1/1986 Menei et al.

D282,655 S 2/1986 Kaku
D291,567 S 8/1987 Read et al.
D292,090 S 9/1987 Shintomi
D293,783 S 1/1988 Martinez
D295,623 S 5/1988 Gilberton
D296,437 S 6/1988 Martinez
D298,618 S 11/1988 Martinez
D299,456 S * 1/1989 Kuo D14/151
D300,025 S 2/1989 Honda
D301,475 S 6/1989 Nagele
D303,114 S 8/1989 Danielson

(Continued)

FOREIGN PATENT DOCUMENTS

TW D176839 7/2016

Primary Examiner — Marie D. Fast Horse

(74) *Attorney, Agent, or Firm* — Quarles & Brady LLP

(57) **CLAIM**

The ornamental design for a desk phone, as shown and described.

DESCRIPTION

FIG. 1 is a front perspective view of a desk phone, showing our new design;

FIG. 2 is a top-left-back perspective view thereof;

FIG. 3 is a bottom view thereof;

FIG. 4 is a top view thereof;

FIG. 5 is a left-side view thereof;

FIG. 6 is a right-side view thereof;

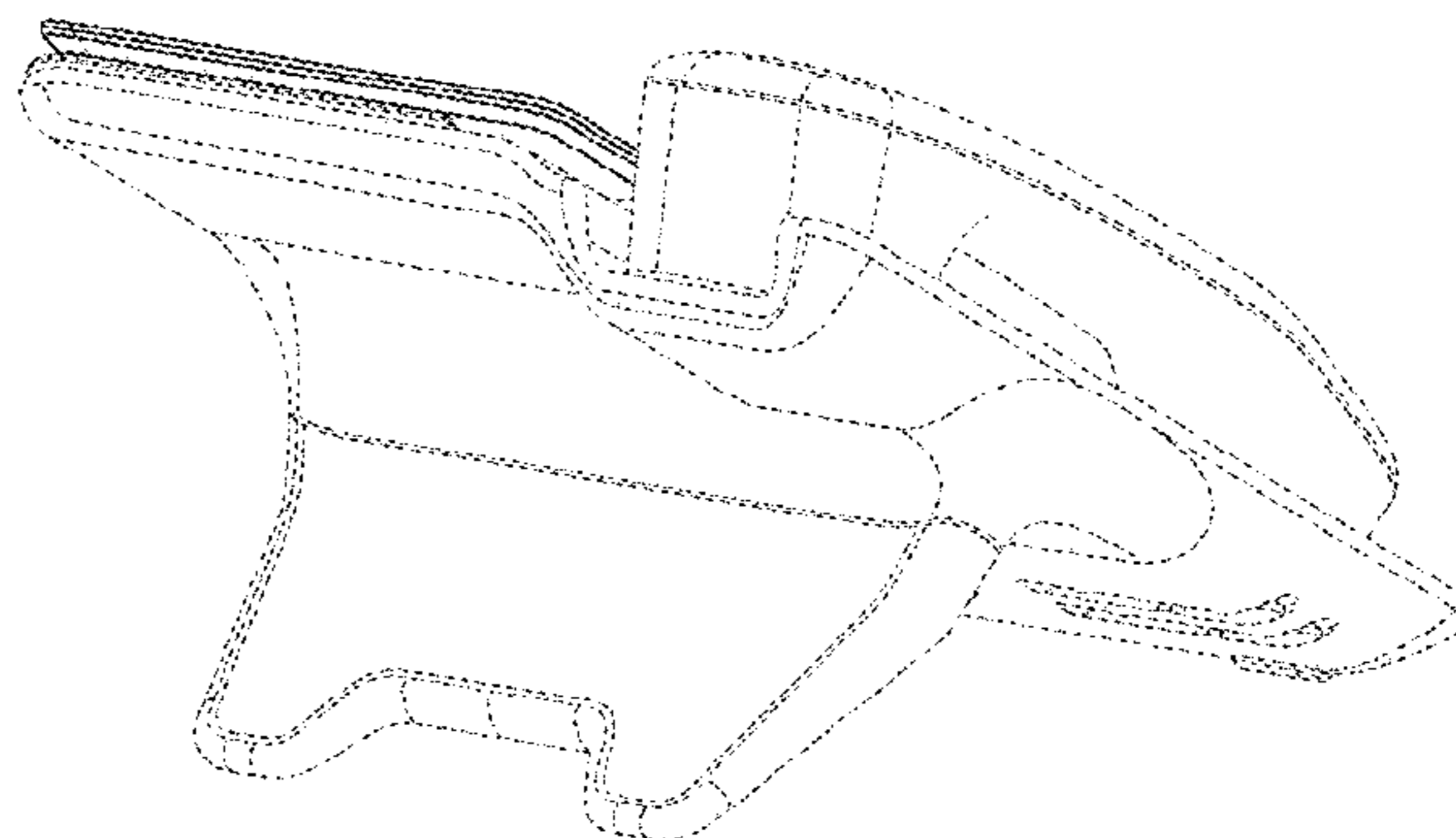
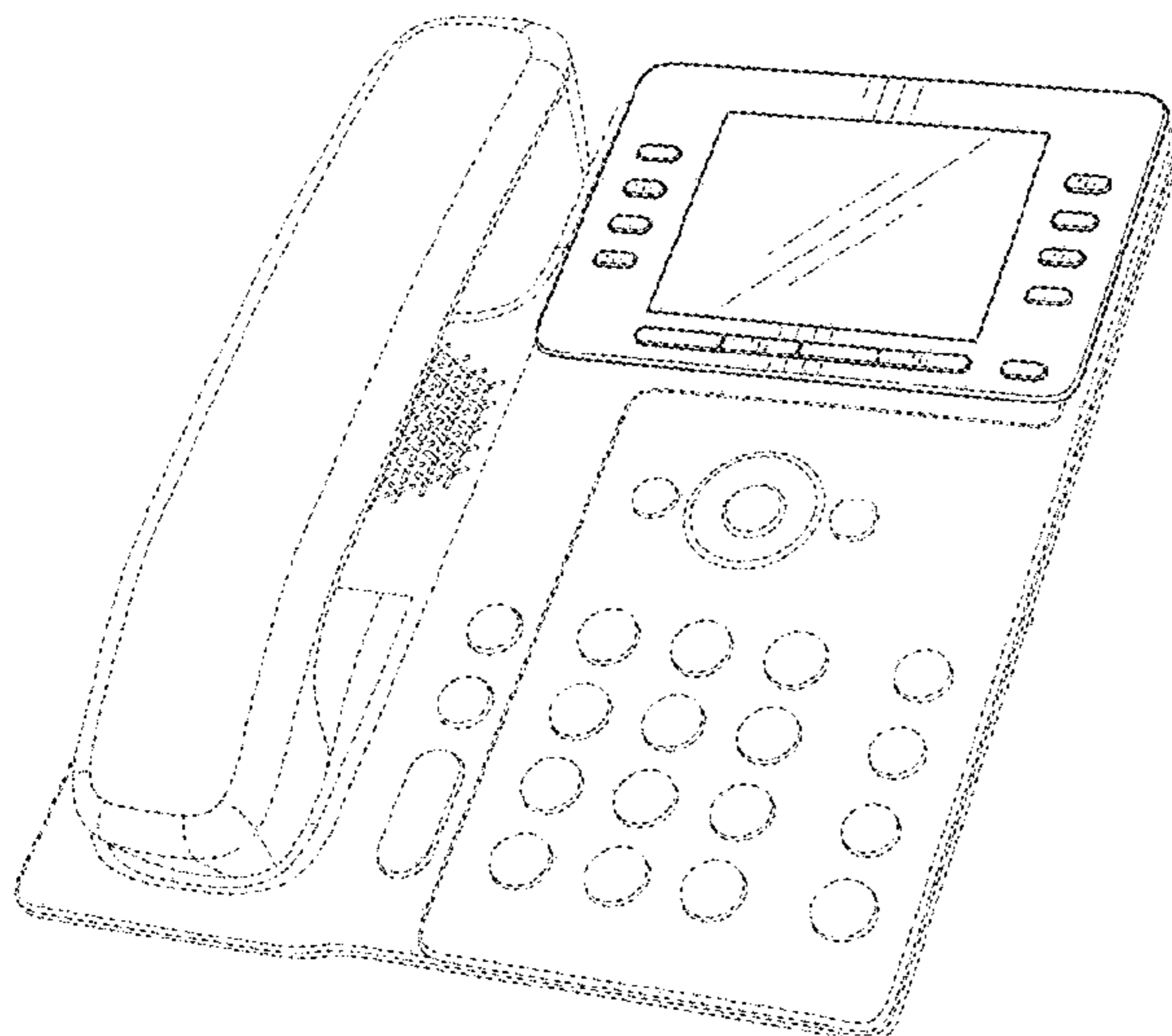
FIG. 7 is a front view thereof; and,

FIG. 8 is a back view thereof.

The broken lines in the drawings depict portions of the desk phone that form no part of the claimed design.

The thin, black lines shown in long dashes with intermittent breaks are shading and/or tangent lines to show contour of the surfaces or curved edges of a desk phone, and do not actually appear on the surface of the device.

1 Claim, 8 Drawing Sheets



(56)

References Cited

U.S. PATENT DOCUMENTS

D304,326 S	10/1989	Perkins	
D307,009 S *	4/1990	Boykiw	D14/149
D311,398 S	10/1990	Sugano	
D314,374 S *	2/1991	Sasaki	D14/151
D318,469 S	7/1991	Joffe	
D319,829 S	9/1991	Wu	
D321,188 S	10/1991	Gordon	
D323,657 S	2/1992	Danielson et al.	
D324,036 S	2/1992	Wakasa	
D325,730 S	4/1992	van der Zon	
D330,028 S	10/1992	Gagnon	
D330,201 S	10/1992	Preece et al.	
D335,667 S	5/1993	Kawakami et al.	
D346,785 S	5/1994	Lundell et al.	
D349,899 S	8/1994	Siddoway et al.	
D352,032 S	11/1994	Cowan	
D356,087 S	3/1995	Jarrett	
5,432,836 A	7/1995	Jarrett	
D366,484 S *	1/1996	Levin	D14/151
D368,091 S *	3/1996	Yoshihiko	D14/151
D369,601 S	5/1996	Tornoike	
D395,304 S	6/1998	Mori et al.	
D401,235 S	11/1998	Fuke et al.	
5,862,214 A	1/1999	Aggus	
D408,817 S	4/1999	Ishibashi	
D410,229 S	5/1999	Chiocchi	
D411,987 S	7/1999	Mizusugi et al.	
D412,171 S	7/1999	Girardi	
D423,001 S	4/2000	Shindo	
D432,497 S	4/2000	Nogas	
D425,856 S	5/2000	Shindo	
D426,536 S	6/2000	Shindo	
D427,985 S *	7/2000	Takayama	D14/151
D431,541 S	10/2000	Nagele et al.	
D432,107 S	10/2000	Isonaga	
D432,108 S	10/2000	Isonaga	
D433,677 S	11/2000	Tsuge	
D435,040 S	12/2000	Shen	
D442,158 S	5/2001	Isonaga	
D457,509 S	5/2002	Ohwada	
D471,171 S	3/2003	Yamanouchi et al.	
D471,527 S	3/2003	Yamanouchi et al.	
D472,227 S	3/2003	Takayama	
D479,517 S	9/2003	Weidinger	
D481,698 S	11/2003	Yamada et al.	
D481,699 S	11/2003	Jauregui et al.	
D481,700 S	11/2003	Jauregui et al.	
D489,700 S *	5/2004	Hillenmayer	D14/151
D490,795 S	6/2004	Watanabe	
D499,711 S	12/2004	Baswell	
D511,153 S	11/2005	dos Santos	
D512,703 S	12/2005	Ookawa	
D529,477 S *	10/2006	Hsu	D14/151
D529,894 S	10/2006	Yanagisawa et al.	
D530,303 S	10/2006	Tang	
D531,613 S	11/2006	Lesniak et al.	
D535,277 S *	1/2007	Mamizuka	D14/151
D537,065 S *	2/2007	Chen	D14/151
D551,203 S *	9/2007	Abe	D14/151
D552,071 S	10/2007	Park et al.	
D555,143 S	11/2007	Chou	
D556,180 S	11/2007	Udagawa	
D556,181 S *	11/2007	Liu	D14/151
D558,180 S	12/2007	Daly	
D558,727 S	1/2008	Daly	
D558,729 S	1/2008	Daly	
D565,020 S	3/2008	Daly	
D576,998 S	9/2008	Furuno	
D581,897 S	12/2008	Katori	
D582,886 S	12/2008	Woo	
D585,397 S	1/2009	Hwang	
D604,258 S	11/2009	Rinaldi et al.	
D608,759 S	1/2010	Chun	
D611,031 S	3/2010	Lesniak et al.	
D613,724 S	4/2010	Kao et al.	
D615,066 S	5/2010	Huang et al.	
D620,464 S	7/2010	Quiros et al.	
D620,472 S	7/2010	Robinson et al.	
D629,381 S	12/2010	Verthein et al.	
D636,769 S	4/2011	Wood et al.	
D653,646 S	2/2012	Hovdal	
D654,074 S	2/2012	Wood et al.	
D657,772 S	4/2012	Shadovitz et al.	
D657,773 S	4/2012	Corsini et al.	
D658,616 S	5/2012	Van Der Flier et al.	
D658,627 S	5/2012	Katori	
D668,901 S	10/2012	Jones et al.	
D675,592 S	2/2013	Fuxen	
D686,184 S	7/2013	Takahata et al.	
D723,502 S *	3/2015	Chun	D14/142
D725,623 S	3/2015	Hartmann et al.	
D738,845 S	3/2015	Kwak	
D744,464 S	12/2015	Snyder et al.	
D753,624 S	4/2016	Ji	
D757,677 S	5/2016	Hutt et al.	
D763,219 S	8/2016	Engelke et al.	
D767,527 S	9/2016	Hillenmayer	
D776,655 S	1/2017	Chen	
D783,569 S	4/2017	Kwak	
D784,283 S	4/2017	Snyder et al.	
D788,737 S *	6/2017	Takei	D14/151
D835,060 S	12/2018	Peng	
D835,599 S	12/2018	Peng	
D848,391 S *	5/2019	Li	D14/151
D851,617 S	6/2019	Rodriguez et al.	
D853,981 S	7/2019	Nakano et al.	
D896,199 S	9/2020	Rodriguez et al.	
10,924,598 B1	2/2021	Rodriguez et al.	
D932,454 S *	10/2021	Darias	D14/140
D934,833 S *	11/2021	Su	D14/151
D934,834 S *	11/2021	Su	D14/151
D934,835 S *	11/2021	Su	D14/151
2008/0240416 A1	10/2008	Abramson	
2011/0216898 A1	9/2011	Huang	
2022/0303378 A1 *	9/2022	Janour	H04M 1/62

* cited by examiner

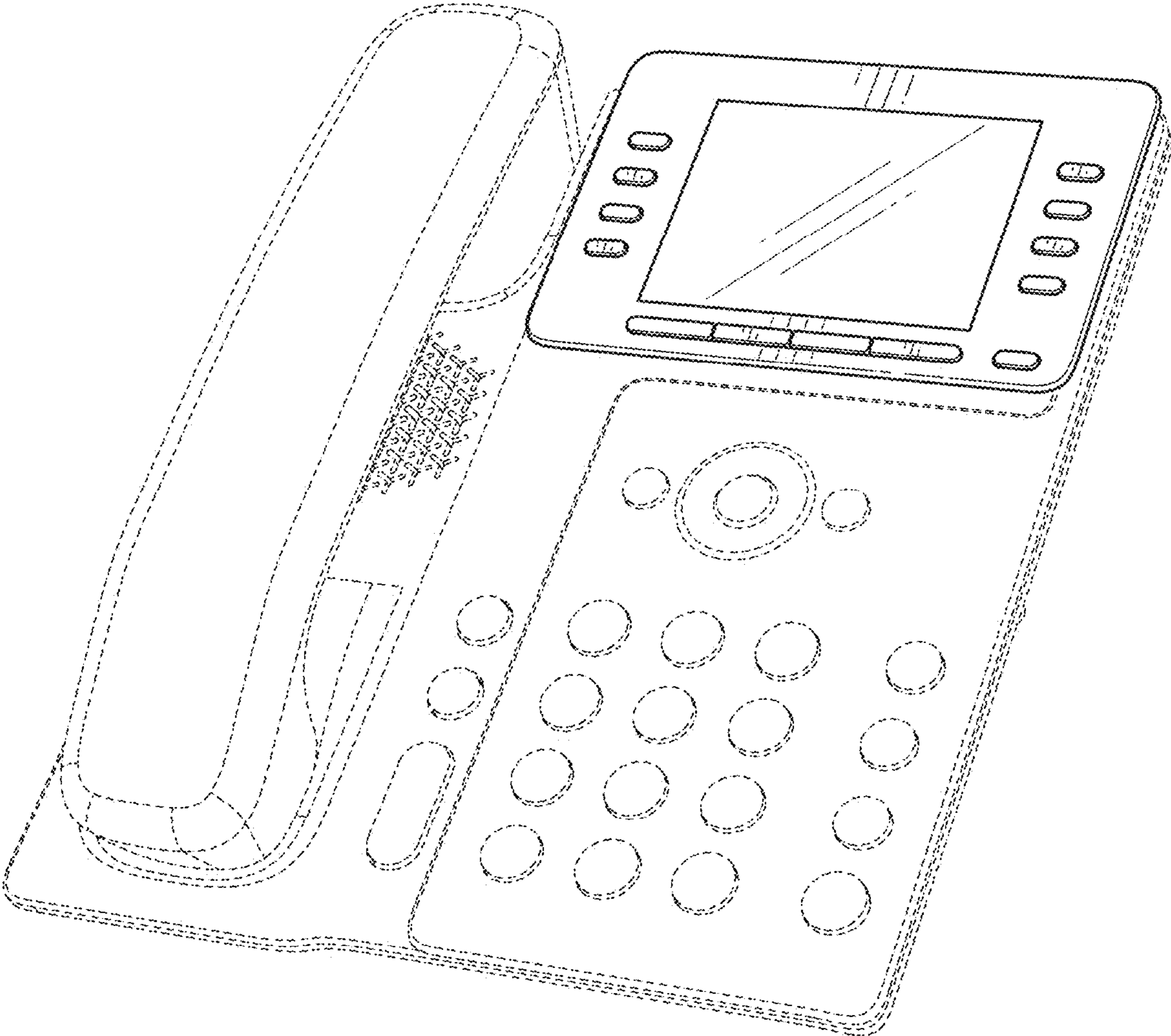


FIG. 1

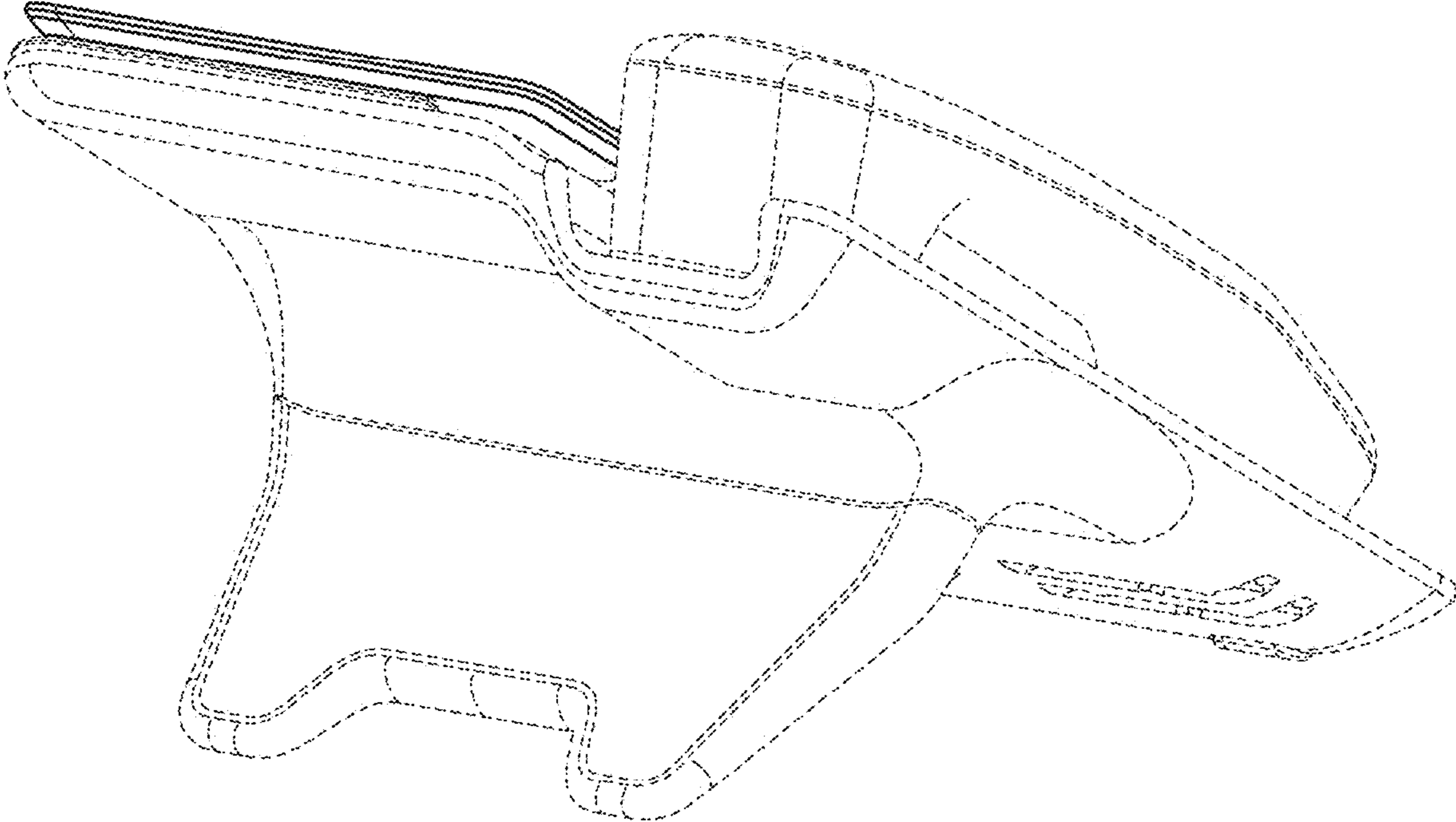


FIG. 2

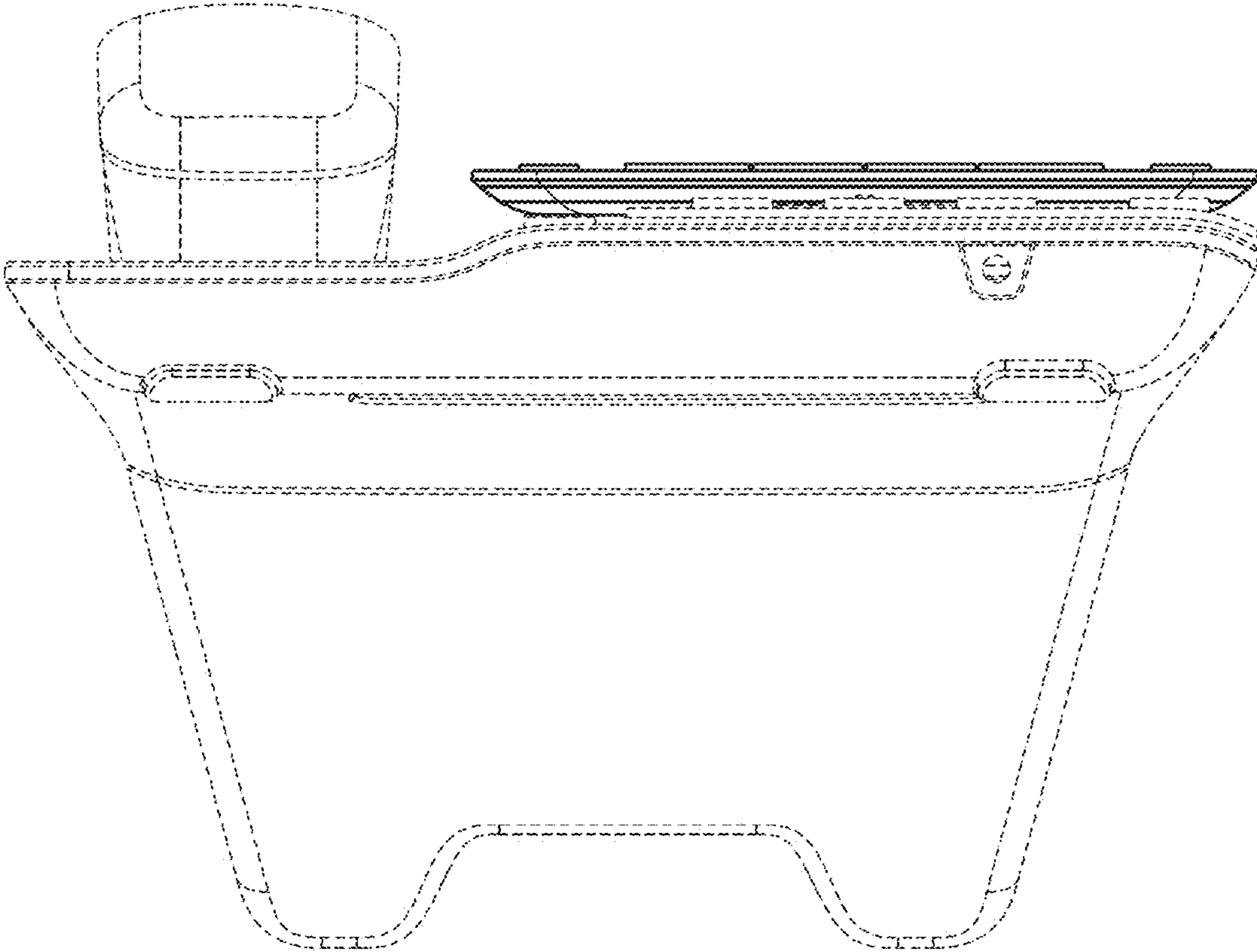


FIG. 3

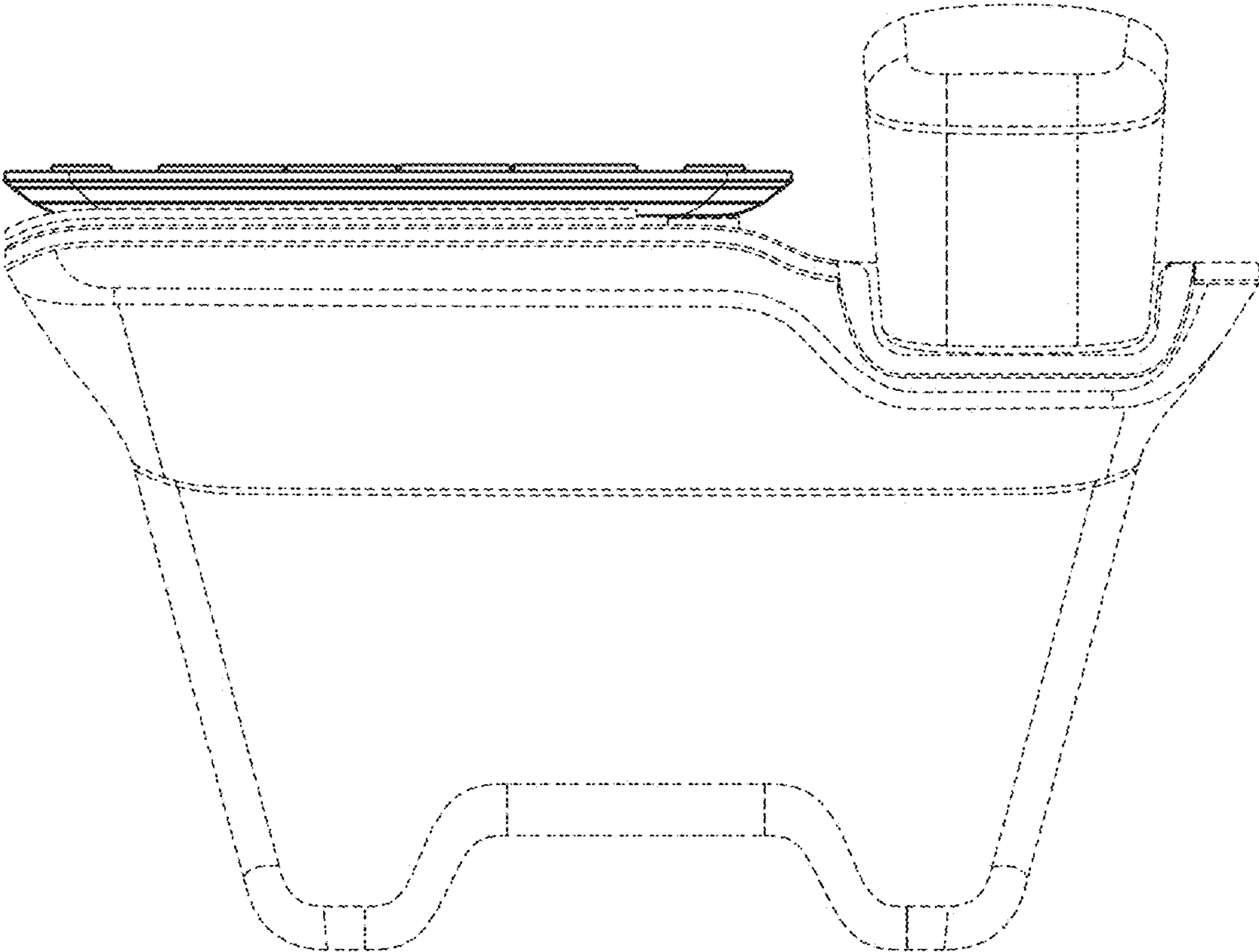


FIG. 4

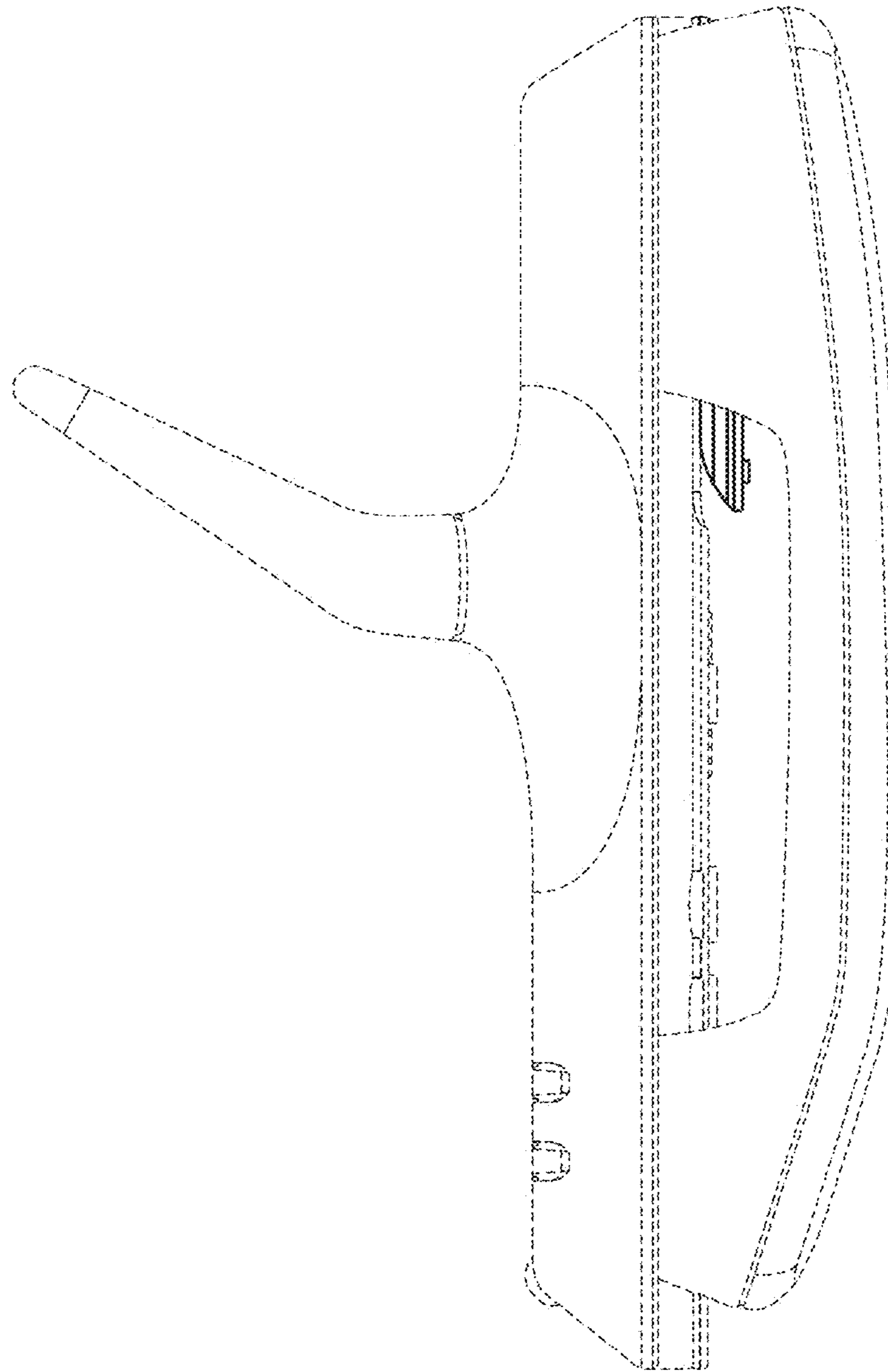


FIG. 5

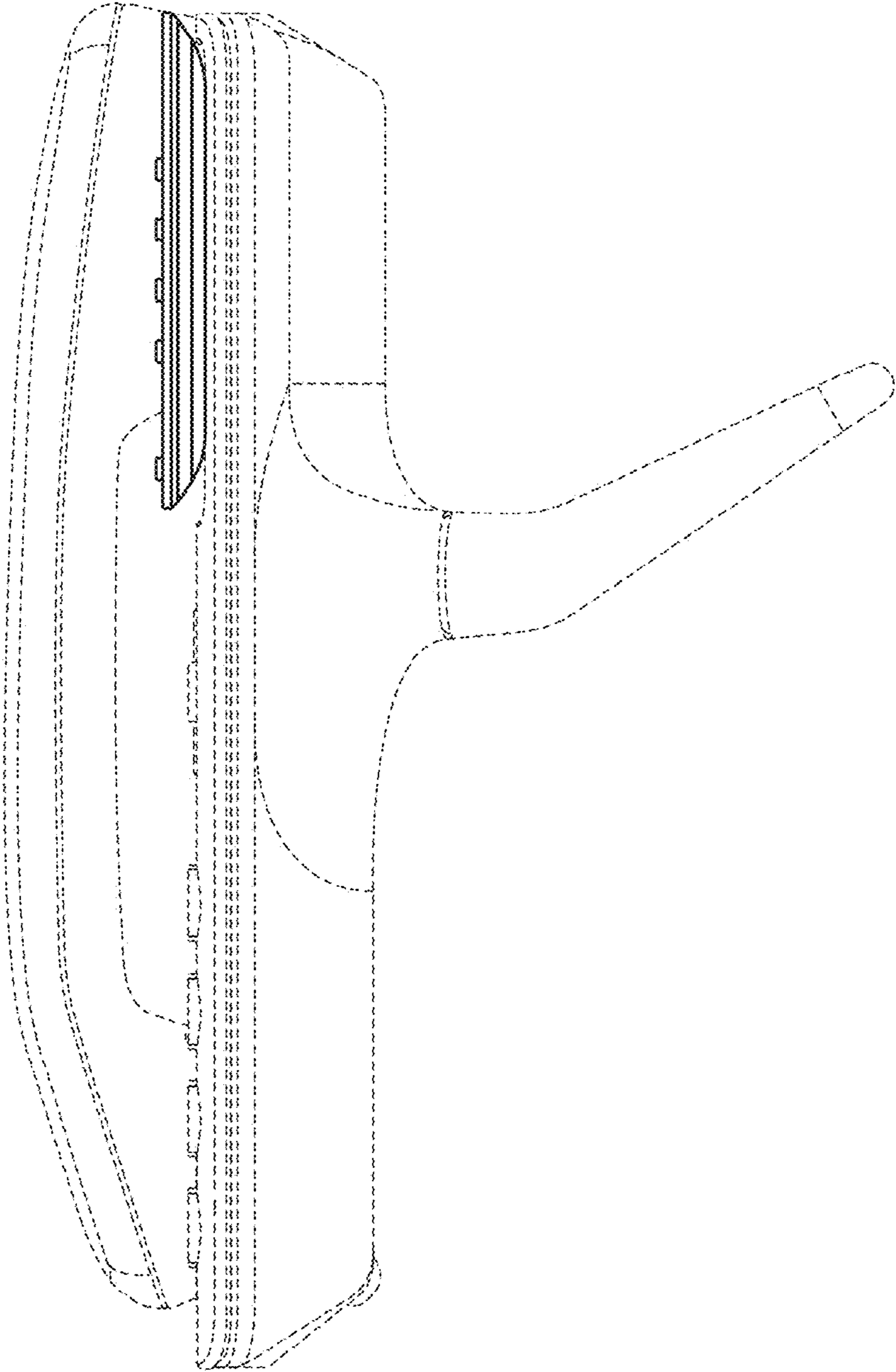


FIG. 6

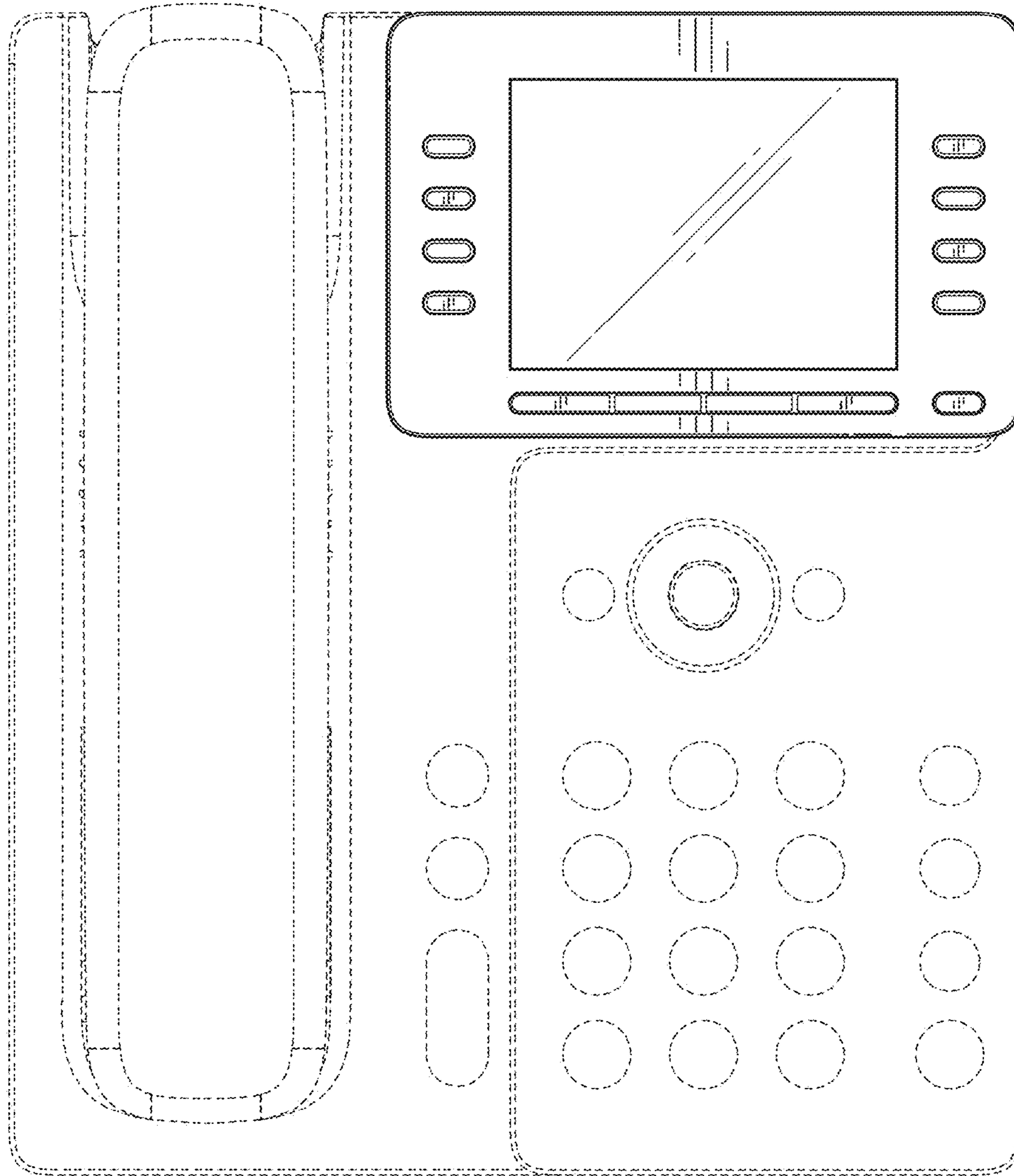


FIG. 7

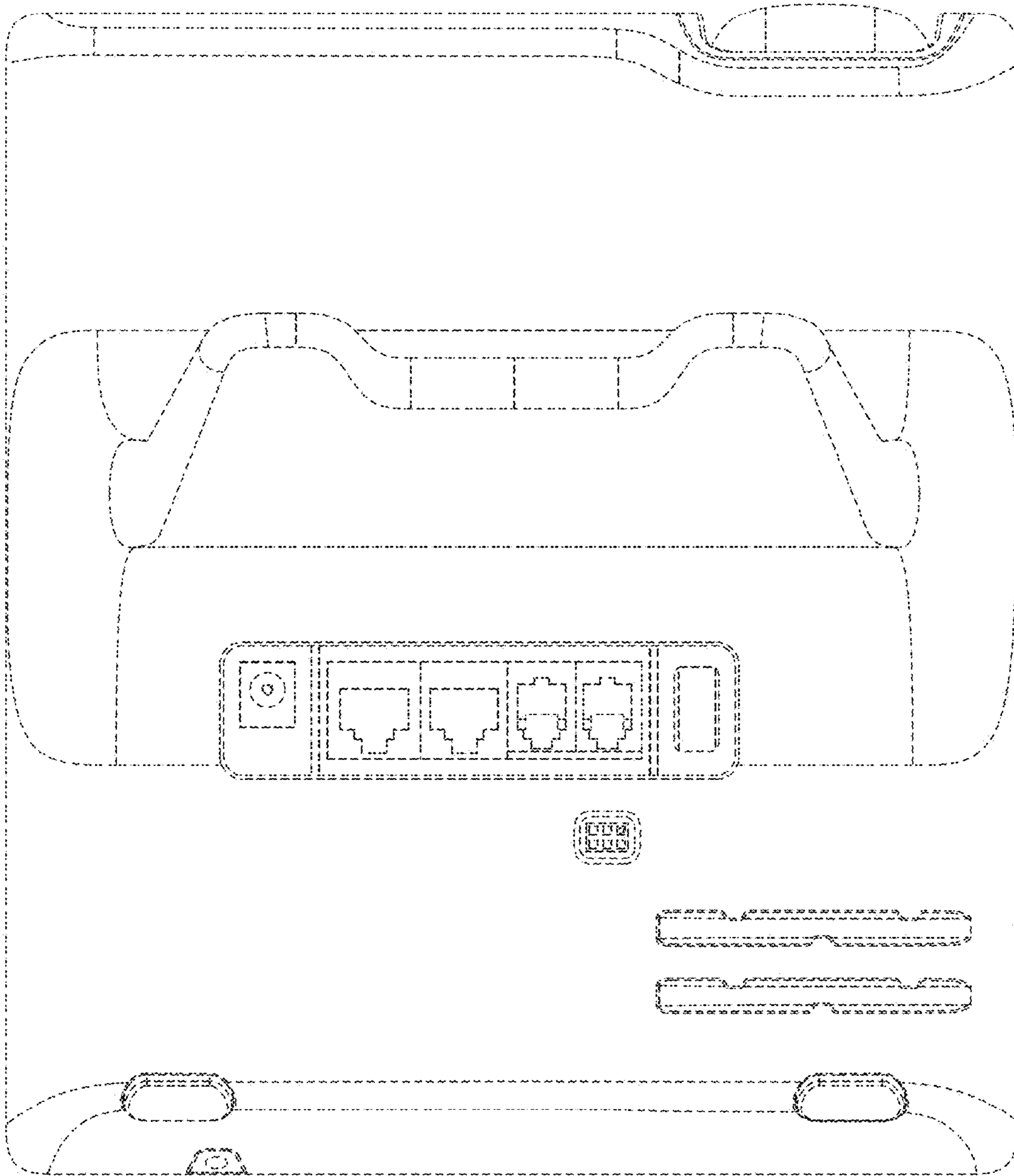


FIG. 8