



US00D986204S

(12) **United States Design Patent**
Wang et al.

(10) **Patent No.:** **US D986,204 S**
(45) **Date of Patent:** **** May 16, 2023**

- (54) **DESK PHONE**
- (71) Applicant: **Plantronics, Inc.**, Santa Cruz, CA (US)
- (72) Inventors: **Bowman Wang**, Corralitos, CA (US);
George Janour, Santa Cruz, CA (US)
- (73) Assignee: **Plantronics, Inc.**, Santa Cruz, CA (US)
- (**) Term: **15 Years**
- (21) Appl. No.: **29/854,116**
- (22) Filed: **Sep. 22, 2022**

- D292,090 S * 9/1987 Shintomi D14/141.1
 - D293,783 S * 1/1988 Martinez D14/151
 - D295,623 S * 5/1988 Gilberton D14/151
- (Continued)

FOREIGN PATENT DOCUMENTS

- TW D176839 * 7/2016
- Primary Examiner* — Marie D. Fast Horse
- (74) *Attorney, Agent, or Firm* — Quarles & Brady LLP

(57) **CLAIM**

The ornamental design for a desk phone, as shown and described.

DESCRIPTION

FIG. 1 is a bottom-left-front perspective view of a desk phone, showing a first embodiment of our new design; FIG. 2 is a top-left-back perspective view thereof; FIG. 3 is a bottom view thereof; FIG. 4 is a top view thereof; FIG. 5 is a left-side view thereof; FIG. 6 is a right-side view thereof; FIG. 7 is a front view thereof; FIG. 8 is a back view thereof; FIG. 9 is a bottom-left-front perspective view of a desk phone, showing a second embodiment of our new design; FIG. 10 is a top-left-back perspective view thereof; FIG. 11 is a bottom view thereof; FIG. 12 is a top view thereof; FIG. 13 is a left-side view thereof; FIG. 14 is a right-side view thereof; FIG. 15 is a front view thereof; and, FIG. 16 is a back view thereof.

The broken lines in FIGS. 1-16 depict portions of the desk phone that form no part of the claimed Design. The thin, black lines shown in long dashes with intermittent breaks are shading and/or tangent lines to show contour of the surfaces or curved edges of the desk phone, and do not actually appear on the surface of the device.

Related U.S. Application Data

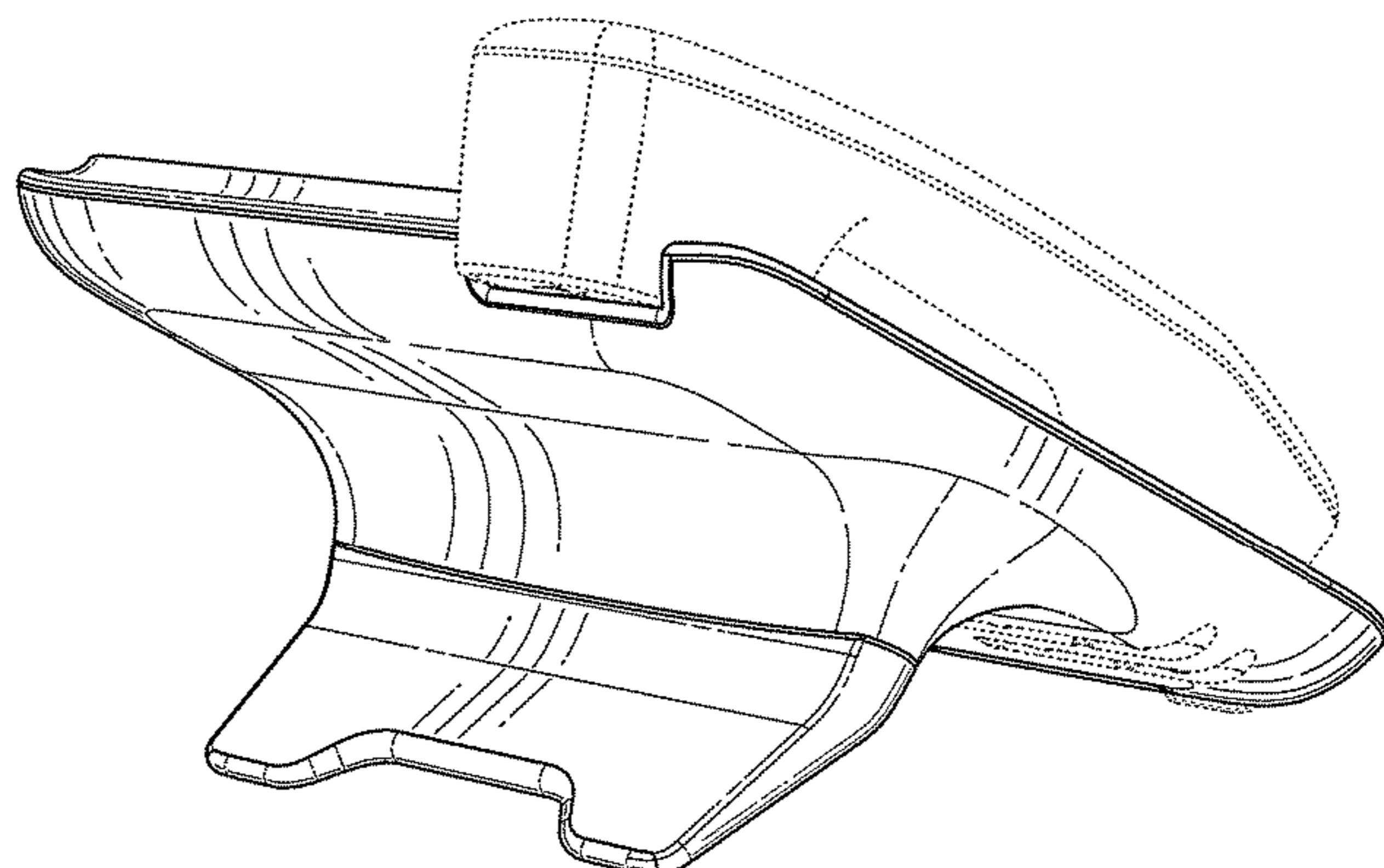
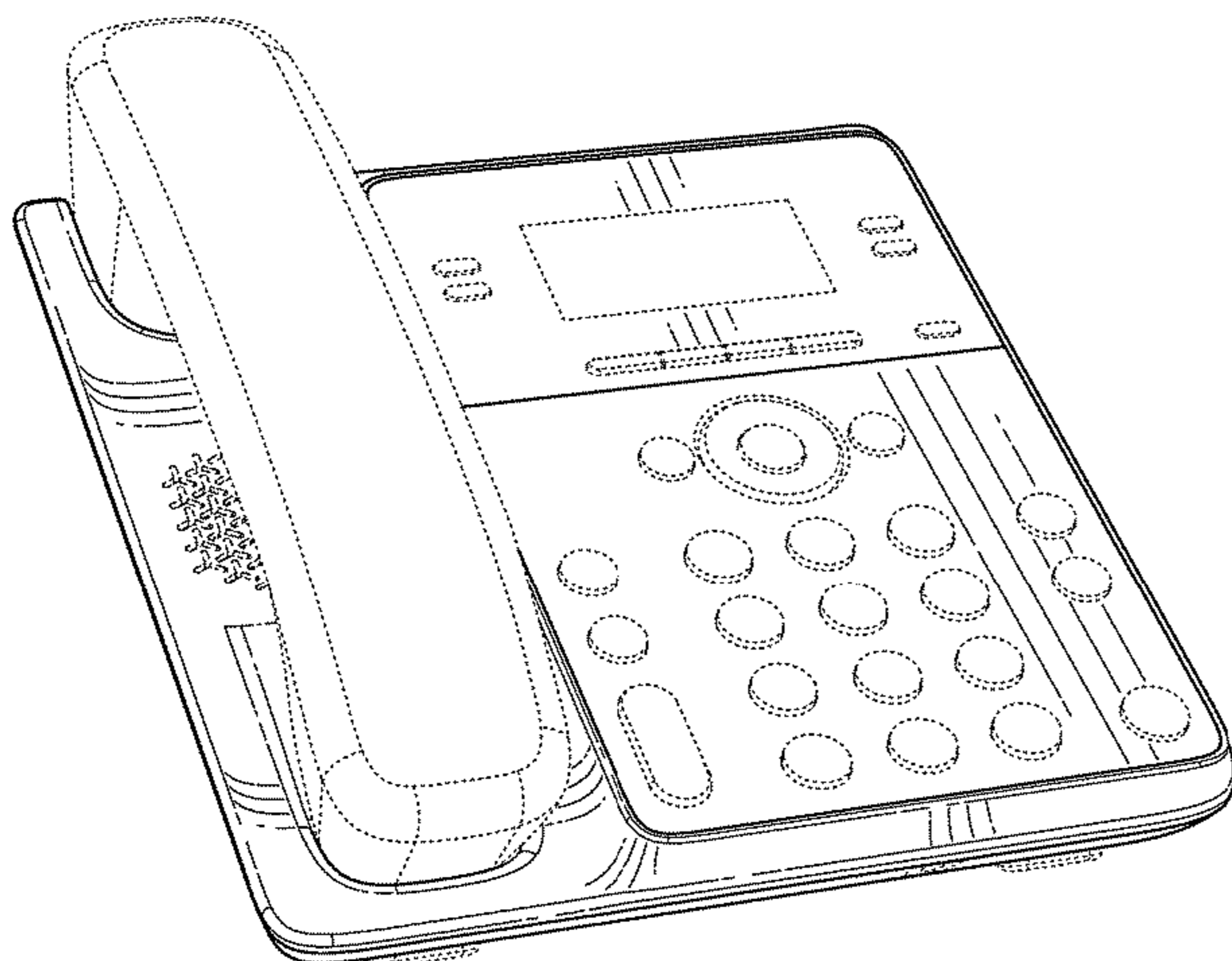
- (62) Division of application No. 29/738,860, filed on Jun. 19, 2020.
 - (51) **LOC (14) Cl.** **14-03**
 - (52) **U.S. Cl.**
USPC **D14/151**
 - (58) **Field of Classification Search**
USPC ... D14/140, 140.1, 140.7, 140.8, 141.2, 142, D14/144, 147, 148, 149, 150, 151, 158, D14/159, 188, 217, 240, 243, 247, 248, D14/251, 299, 329, 330, 338, 130, 462, D14/467, 471; D21/517
CPC H04M 1/00; H04M 1/003; H04M 1/02; H04M 1/0289; H04M 1/0297; H04M 1/0214; H04M 1/03; H04M 1/23; H04M 1/253; H04M 1/2535; H04M 7/006; H04M 1/62
- See application file for complete search history.

(56) **References Cited**

U.S. PATENT DOCUMENTS

- D263,589 S * 3/1982 Read D14/150
- D282,066 S * 1/1986 Menei D14/151
- D282,655 S * 2/1986 Kaku D14/141.1
- D291,567 S * 8/1987 Read D14/149

1 Claim, 16 Drawing Sheets



(56)

References Cited

U.S. PATENT DOCUMENTS

D296,437 S * 6/1988 Martinez D14/151
 D298,618 S * 11/1988 Martinez D14/141.1
 D299,456 S * 1/1989 Kuo D14/151
 D300,025 S * 2/1989 Honda D14/151
 D301,475 S * 6/1989 Nagele D14/142
 D303,114 S * 8/1989 Danielson D14/149
 D304,326 S * 10/1989 Perkins D14/149
 D307,009 S * 4/1990 Boykiw D14/149
 D311,398 S * 10/1990 Sugano D14/142
 D318,469 S * 7/1991 Joffe D14/146
 D319,829 S * 9/1991 Wu D14/149
 D321,188 S * 10/1991 Gordon D14/142
 D323,657 S * 2/1992 Danielson D14/371
 D324,036 S * 2/1992 Wakasa D14/329
 D325,730 S * 4/1992 van der Zon D14/138 AA
 D330,028 S * 10/1992 Gagnon D14/151
 D330,201 S * 10/1992 Preece D14/247
 D335,667 S * 5/1993 Kawakami D14/142
 D346,785 S * 5/1994 Lundell D14/149
 D349,899 S * 8/1994 Siddoway D14/151
 D352,032 S * 11/1994 Cowan D14/149
 D356,087 S * 3/1995 Jarrett D14/151
 5,432,836 A * 7/1995 Jarrett H04M 1/0297
 379/435
 D366,484 S * 1/1996 Levin D14/151
 D368,091 S * 3/1996 Yoshihiko D14/151
 D369,601 S * 5/1996 Tomoike D14/149
 D395,304 S * 6/1998 Mori D14/151
 D401,235 S * 11/1998 Fuke D14/149
 5,862,214 A * 1/1999 Aggus H04M 1/02
 379/435
 D410,229 S * 5/1999 Chiocchi D14/331
 D411,987 S * 7/1999 Mizusugi D14/329
 D412,171 S * 7/1999 Girardi D14/151
 D423,001 S * 4/2000 Shindo D14/149
 D423,497 S * 4/2000 Nogas D14/151
 D425,856 S * 5/2000 Shindo D14/149
 D426,536 S * 6/2000 Shindo D14/151
 D427,985 S * 7/2000 Takayama D14/151
 D431,541 S * 10/2000 Nagele D14/151
 D432,107 S * 10/2000 Isonaga D14/149
 D432,108 S * 10/2000 Isonaga D14/151
 D433,677 S * 11/2000 Tsuge D13/184
 D435,040 S * 12/2000 Shen D14/141.3
 D442,158 S * 5/2001 Isonaga D14/151
 D457,509 S * 5/2002 Ohwada D14/151
 D471,171 S * 3/2003 Yamanouchi D14/151
 D471,527 S * 3/2003 Yamanouchi D14/151
 D472,227 S * 3/2003 Takayama D14/151
 D479,517 S * 9/2003 Weidinger D14/151
 D481,698 S * 11/2003 Yamada D14/149
 D481,699 S * 11/2003 Jauregui D14/151
 D481,700 S * 11/2003 Jauregui D14/151
 D489,700 S * 5/2004 Hillenmayer D14/151
 D490,795 S * 6/2004 Watanabe D14/151
 D499,711 S * 12/2004 Baswell D14/151

D511,153 S * 11/2005 dos Santos D14/151
 D512,703 S * 12/2005 Ookawa D14/149
 D529,477 S * 10/2006 Hsu D14/151
 D529,894 S * 10/2006 Yanagisawa D14/151
 D530,303 S * 10/2006 Tang D14/151
 D531,613 S * 11/2006 Lesniak D14/151
 D535,277 S * 1/2007 Mamizuka D14/151
 D552,071 S * 10/2007 Park D14/151
 D555,143 S * 11/2007 Chou D14/151
 D556,180 S * 11/2007 Udagawa D14/151
 D556,181 S * 11/2007 Liu D14/151
 D558,180 S * 12/2007 Daly D14/151
 D558,727 S * 1/2008 Daly D14/149
 D558,729 S * 1/2008 Daly D14/151
 D565,020 S * 3/2008 Daly D14/149
 D581,897 S * 12/2008 Katori D14/151
 D585,397 S * 1/2009 Hwang D14/149
 D604,258 S * 11/2009 Rinaldi D14/130
 D608,759 S * 1/2010 Chun D14/151
 D613,724 S * 4/2010 Kao D14/151
 D615,066 S * 5/2010 Huang D14/142
 D620,464 S * 7/2010 Quiros D14/130
 D620,472 S * 7/2010 Robinson D14/149
 D629,381 S * 12/2010 Verthein D14/142
 D636,769 S * 4/2011 Wood D14/341
 D653,646 S * 2/2012 Hovdal D14/142
 D654,074 S * 2/2012 Wood D14/341
 D657,772 S * 4/2012 Shadovitz D14/150
 D657,773 S * 4/2012 Corsini D14/151
 D658,616 S * 5/2012 Van Der Flier D14/130
 D658,627 S * 5/2012 Katori D14/142
 D668,901 S * 10/2012 Jones D6/575
 D675,592 S * 2/2013 Fuxen D14/151
 D686,184 S * 7/2013 Takahata D14/151
 D723,502 S * 3/2015 Chun D14/142
 D725,623 S * 3/2015 Hartmann D14/140
 D738,845 S * 9/2015 Kwak D14/151
 D744,464 S * 12/2015 Snyder D14/240
 D753,624 S * 4/2016 Ji D14/151
 D757,677 S * 5/2016 Hutt D14/151
 D763,219 S * 8/2016 Engelke D14/151
 D767,527 S * 9/2016 Hillenmayer D14/140.8
 D776,655 S * 1/2017 Chen D14/240
 D783,569 S * 4/2017 Kwak D14/151
 D784,283 S * 4/2017 Snyder D14/144
 D788,737 S * 6/2017 Takei D14/151
 D835,060 S * 12/2018 Peng D14/151
 D835,599 S * 12/2018 Peng D14/151
 D848,391 S * 5/2019 Li D14/151
 D851,617 S * 6/2019 Rodriguez D14/151
 D853,981 S * 7/2019 Nakano D14/151
 D896,199 S * 9/2020 Rodriguez D14/151
 2008/0240416 A1 * 10/2008 Abramson H04M 1/2477
 379/428.03
 2011/0216898 A1 * 9/2011 Huang H04M 1/00
 379/428.02
 2022/0303378 A1 * 9/2022 Janour H04M 1/605

* cited by examiner

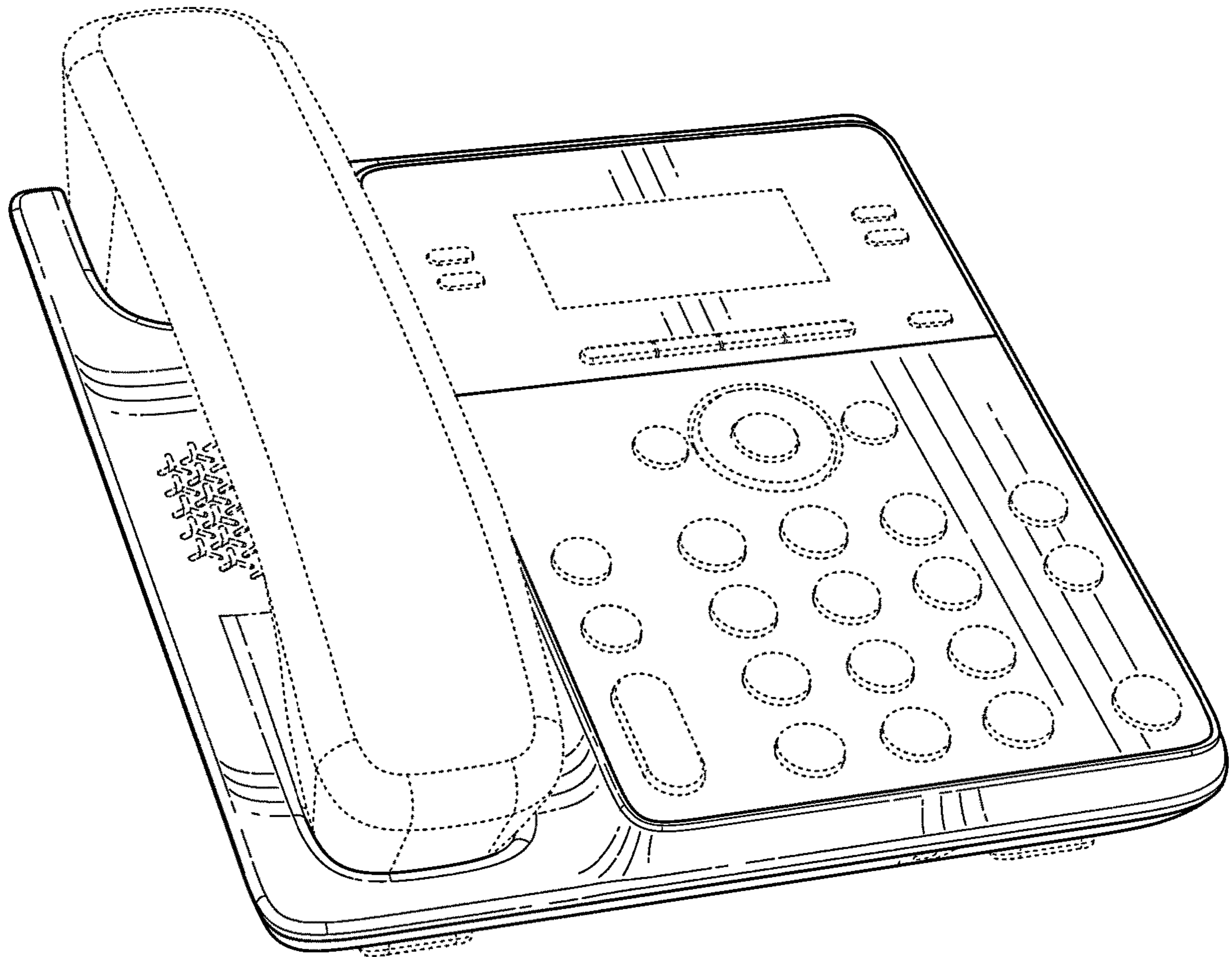


FIG. 1

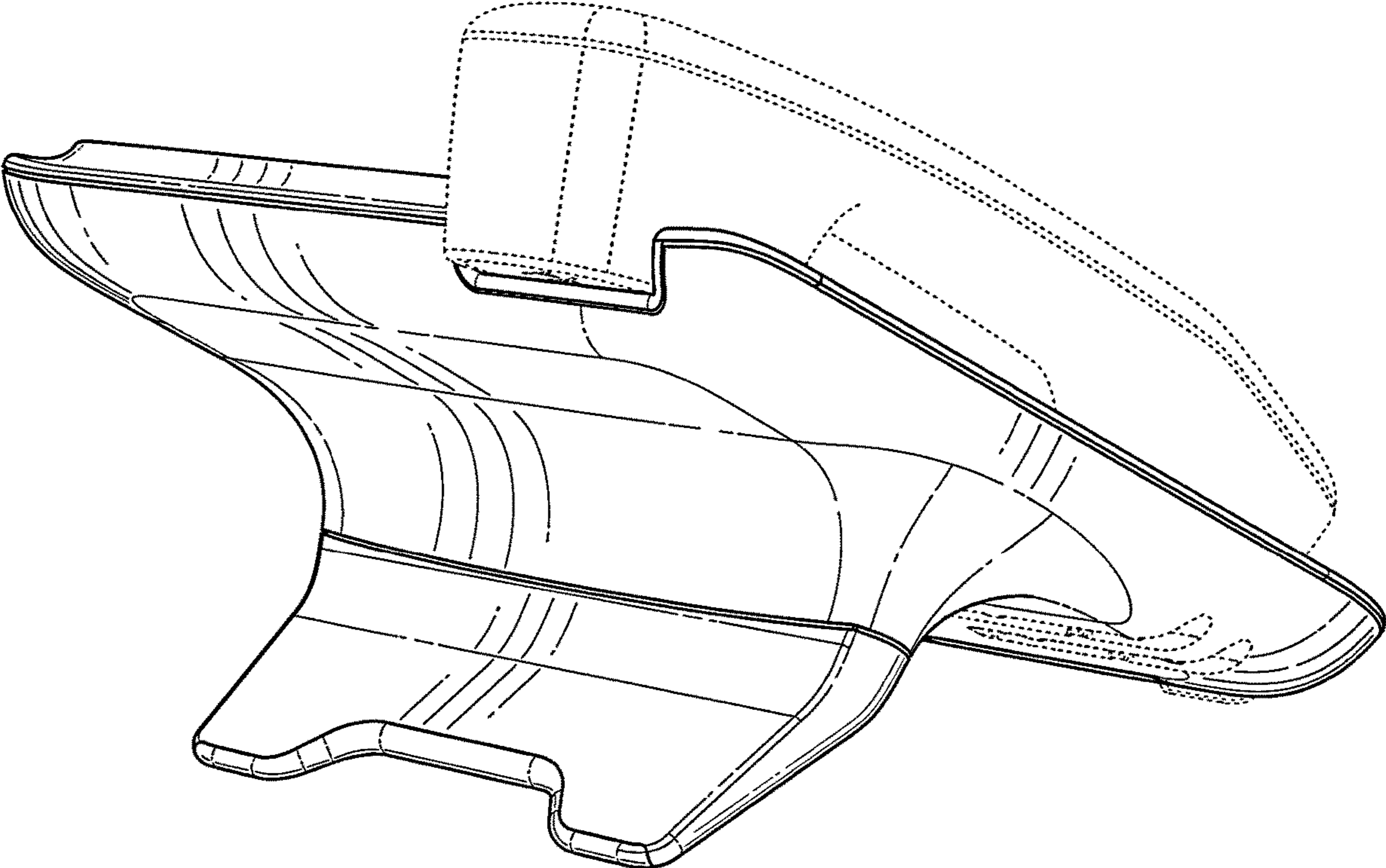


FIG. 2

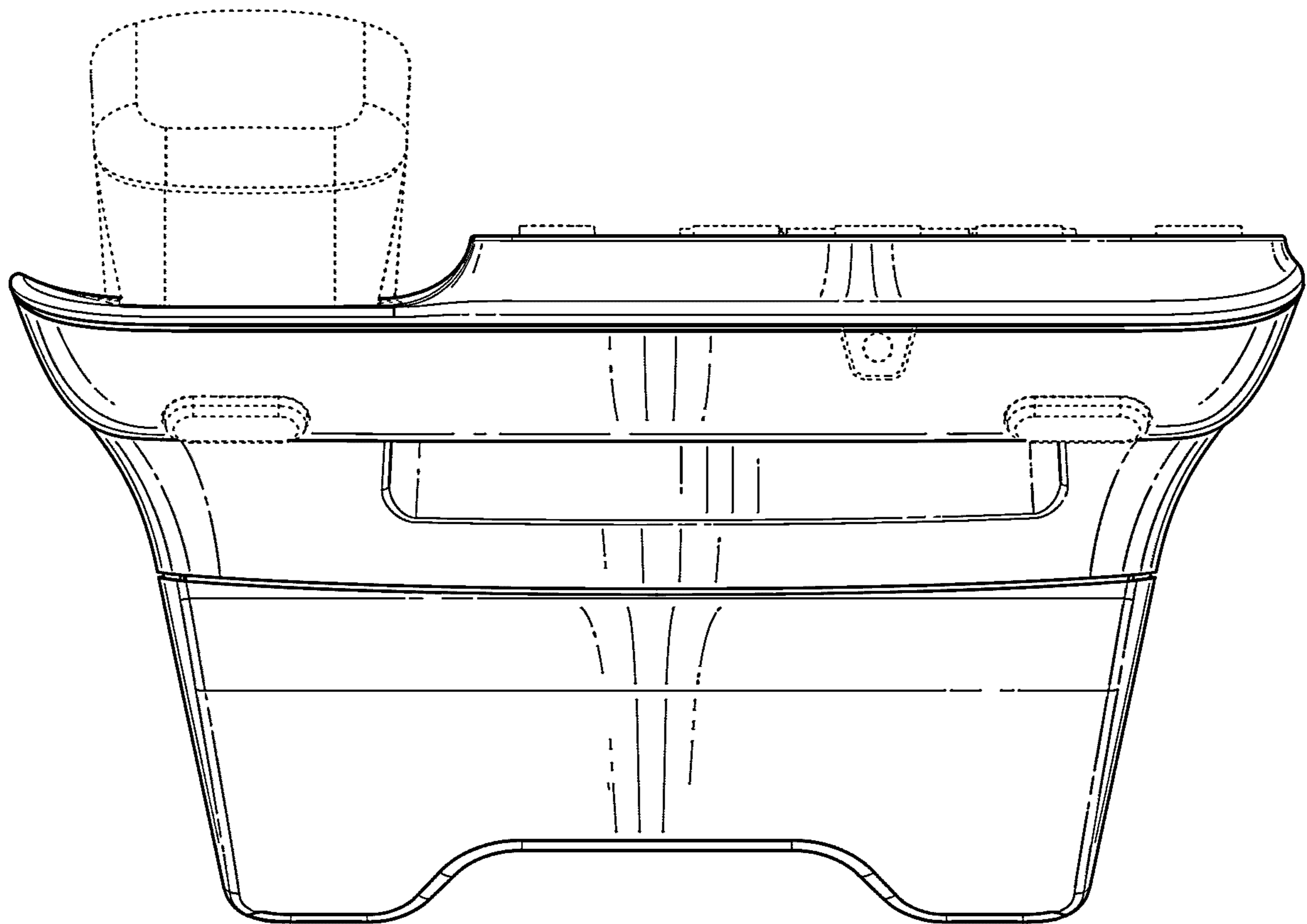


FIG. 3

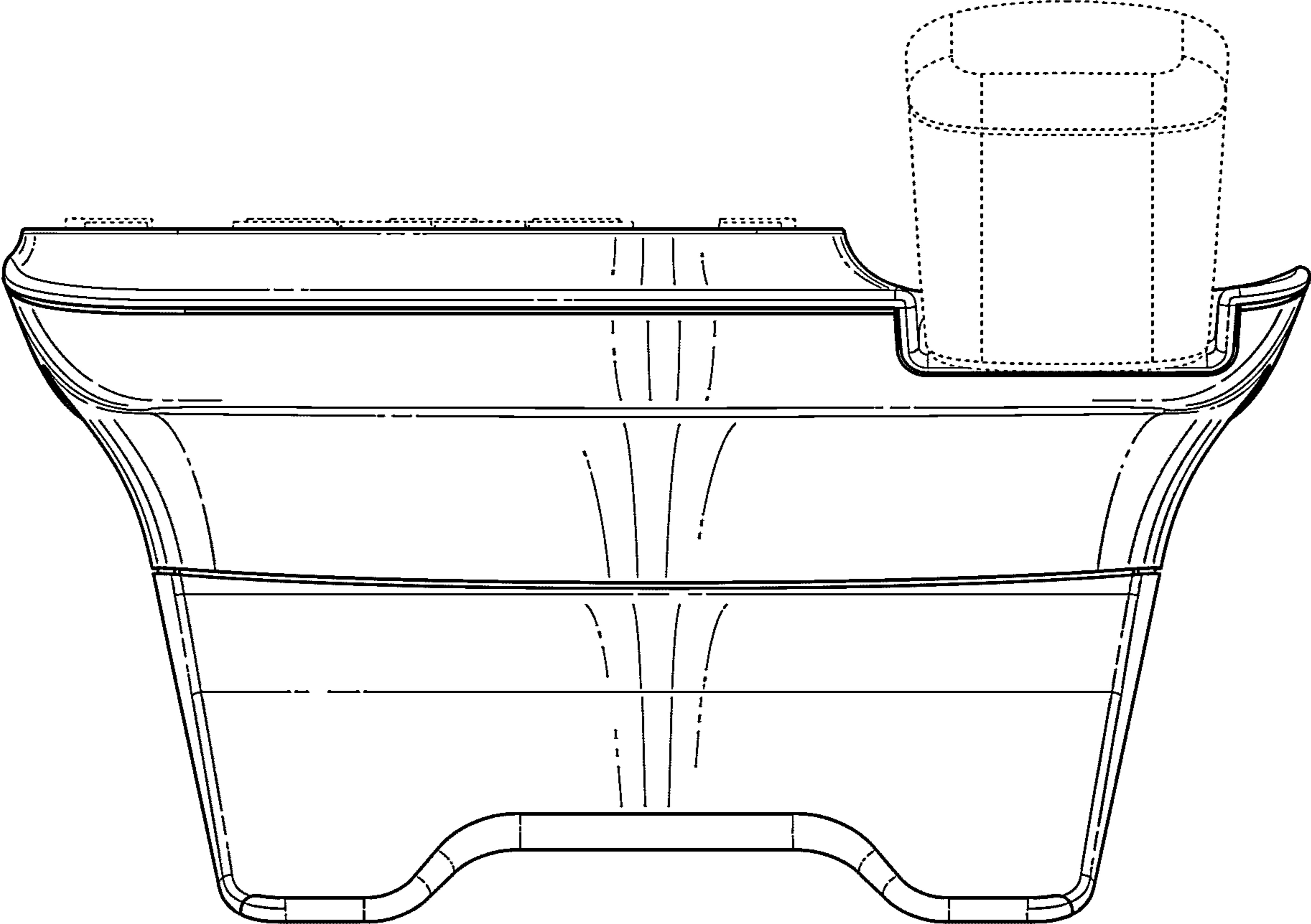


FIG. 4

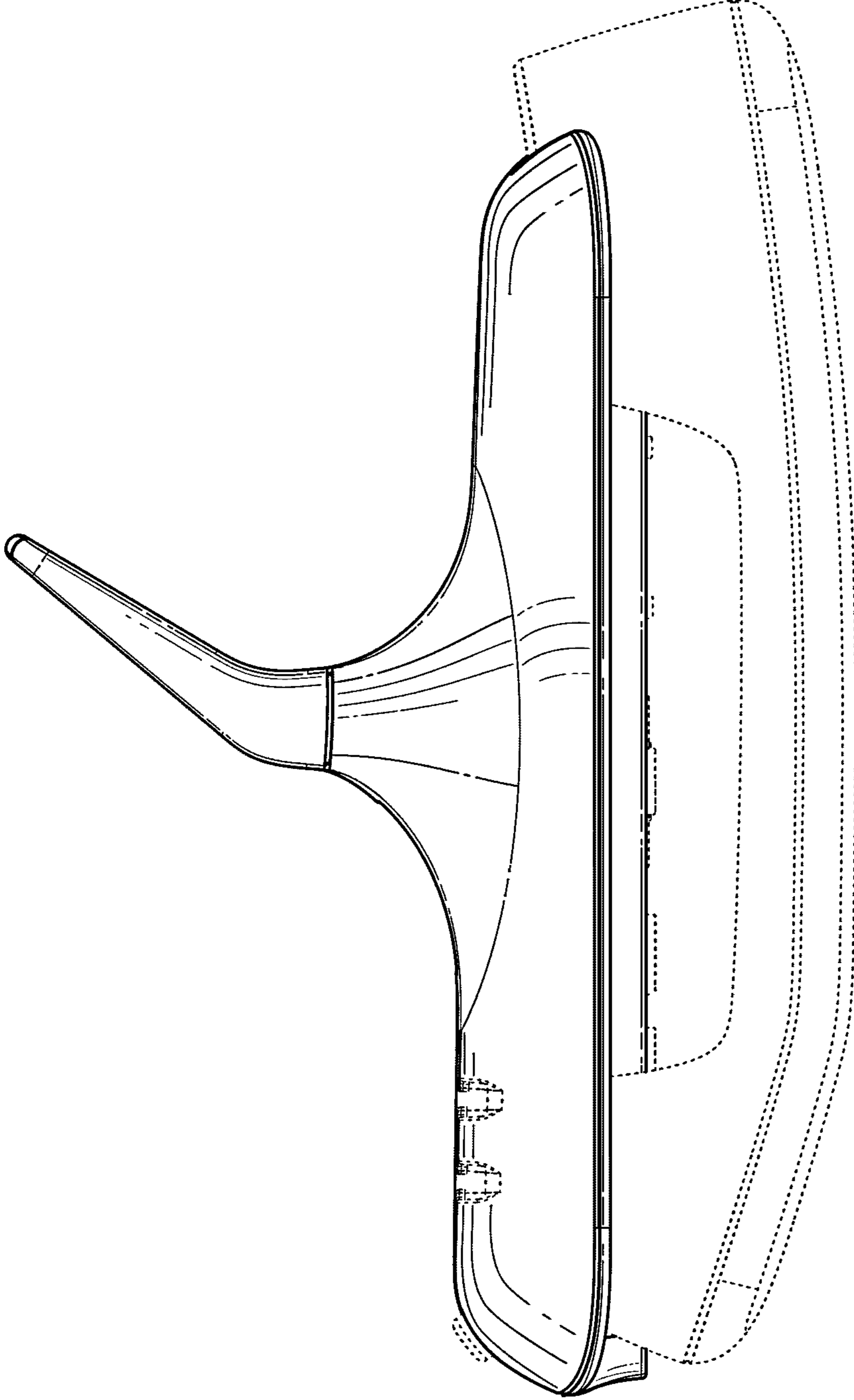


FIG. 5

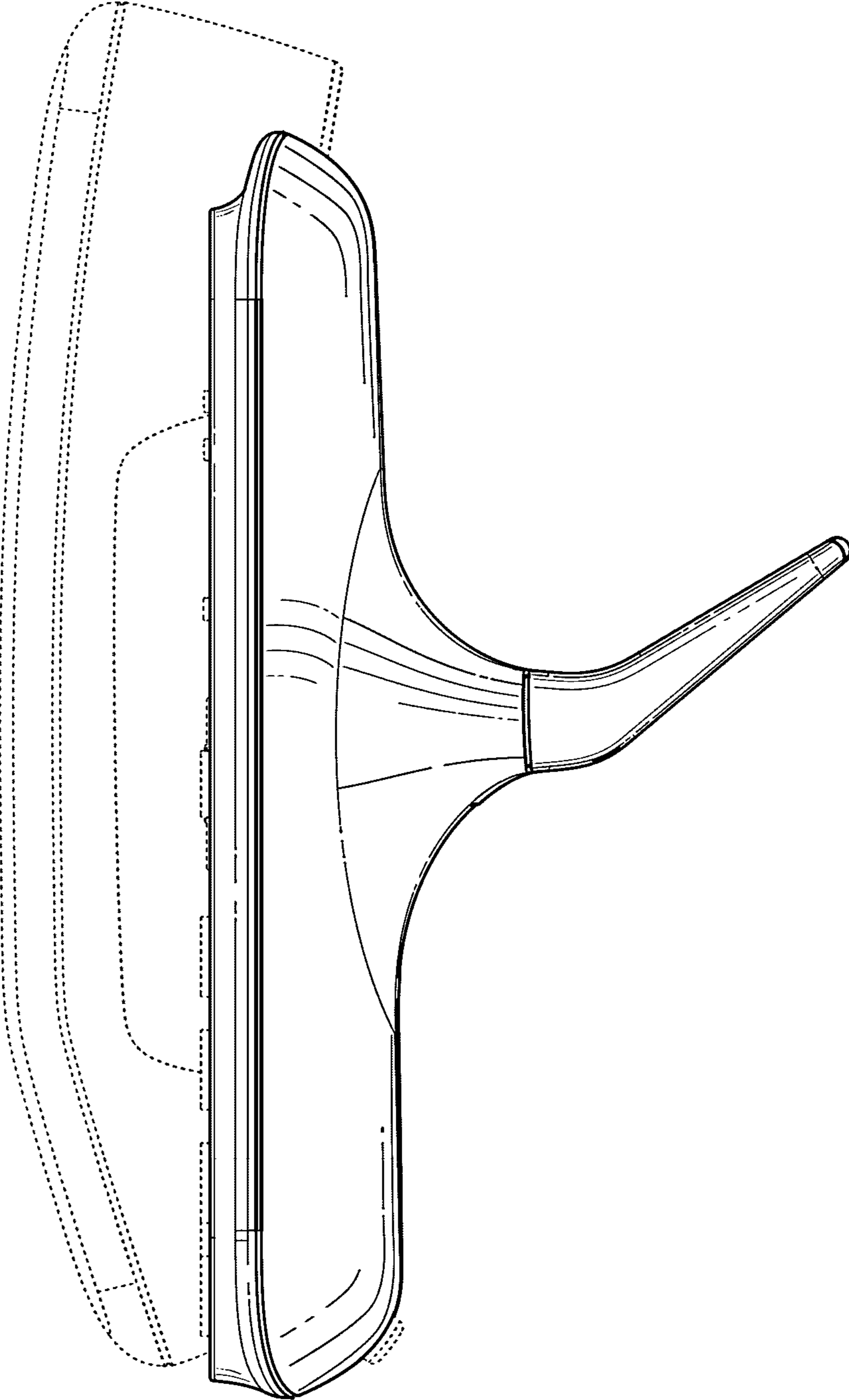


FIG. 6

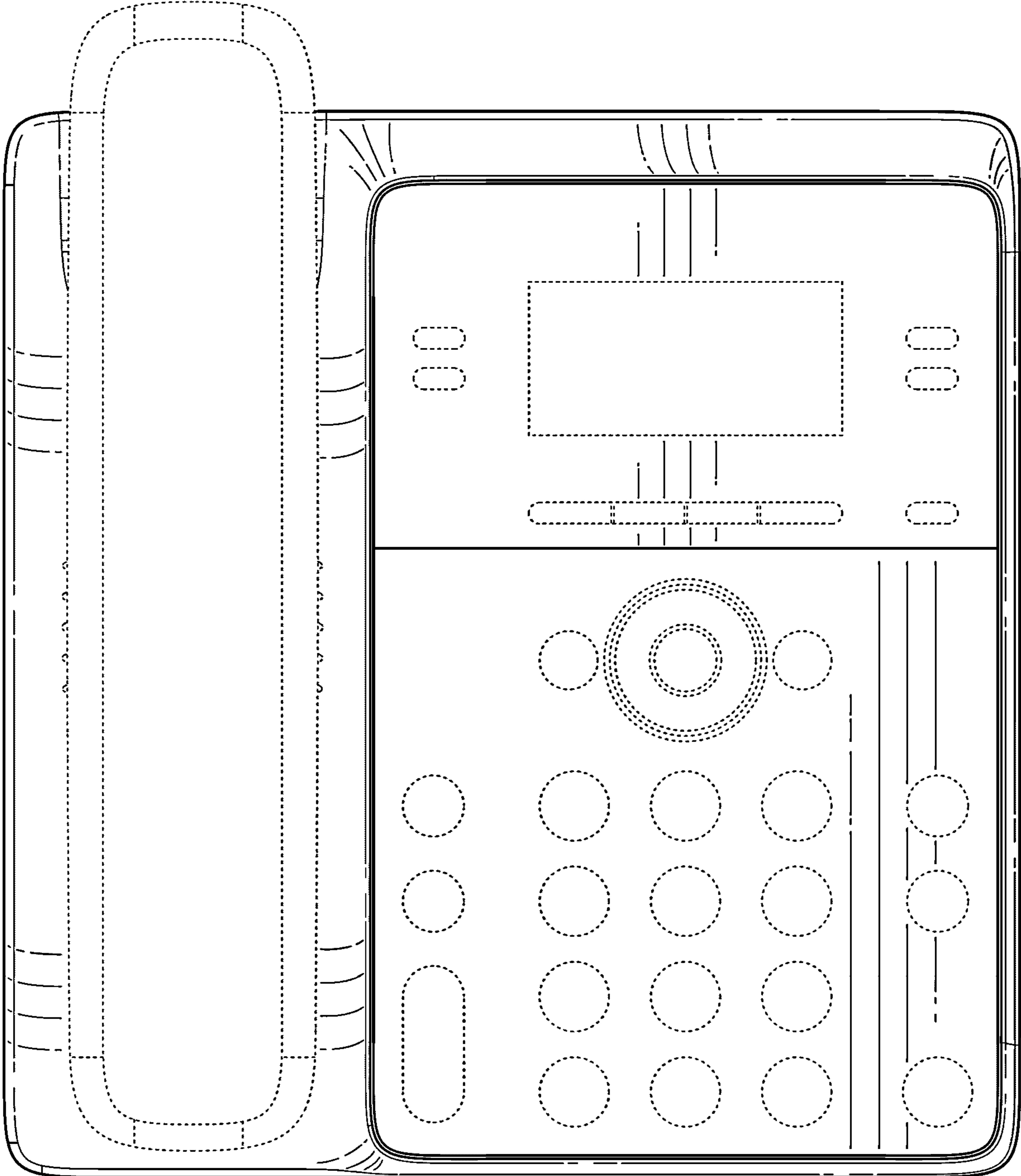


FIG. 7

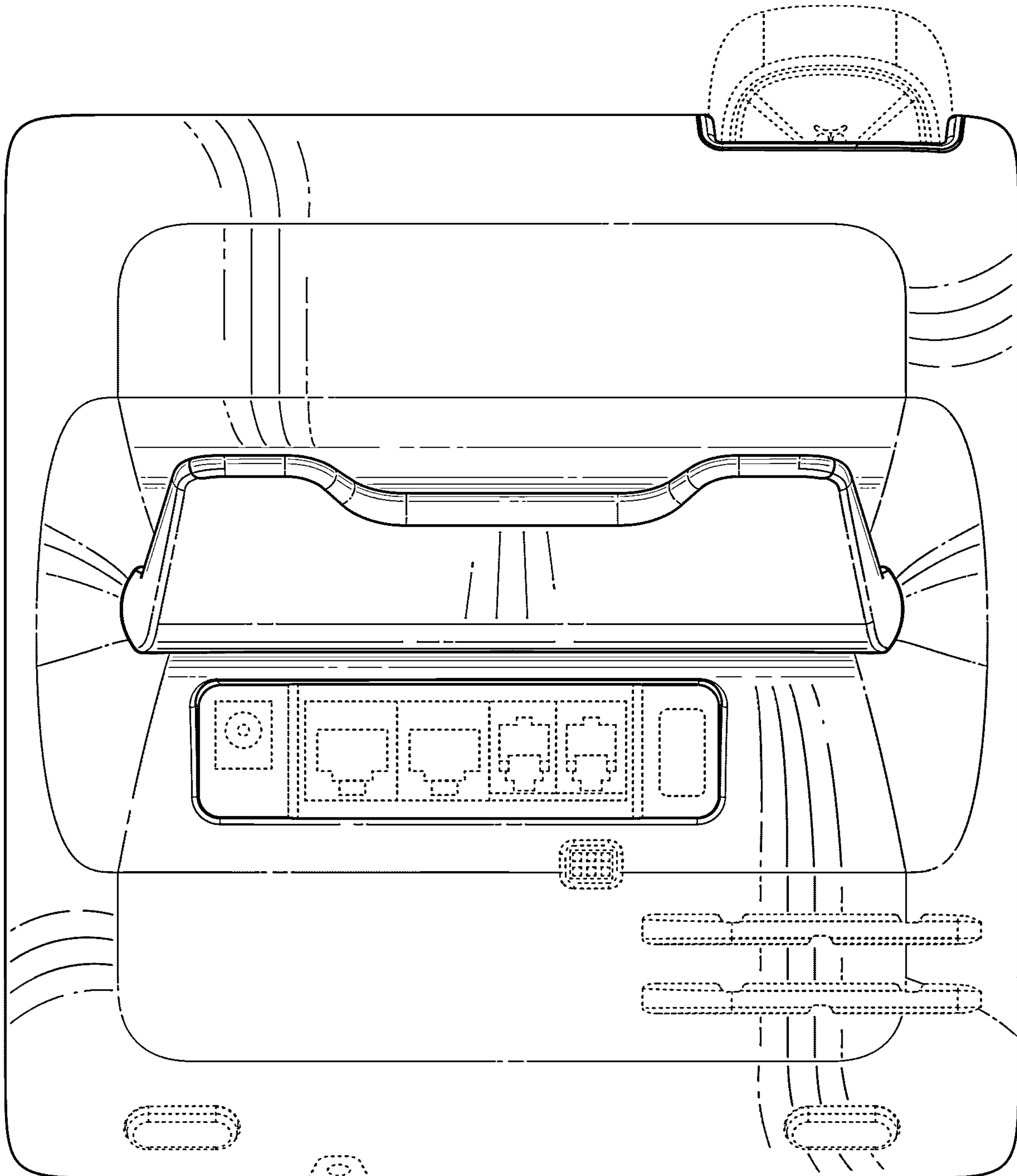


FIG. 8

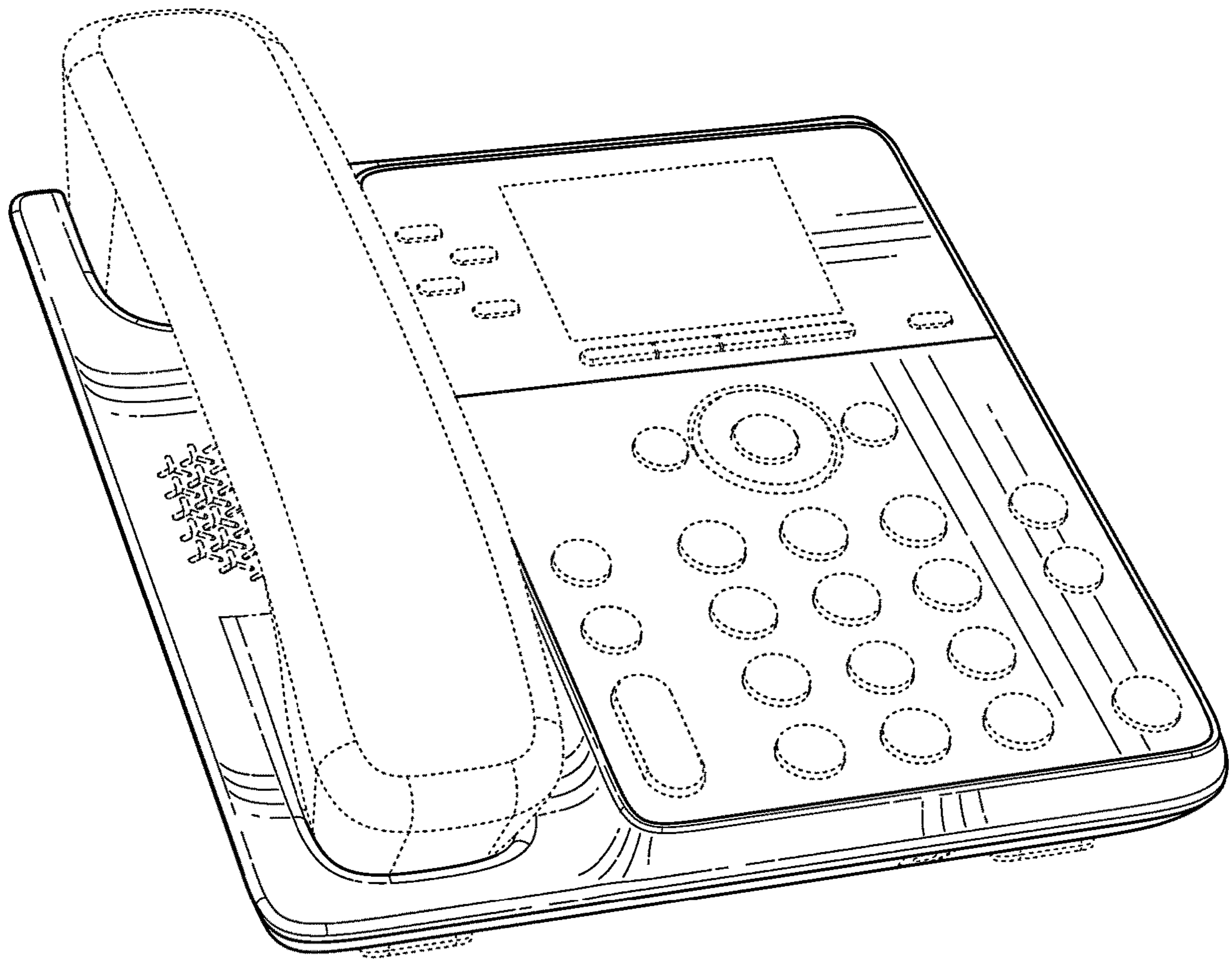


FIG. 9

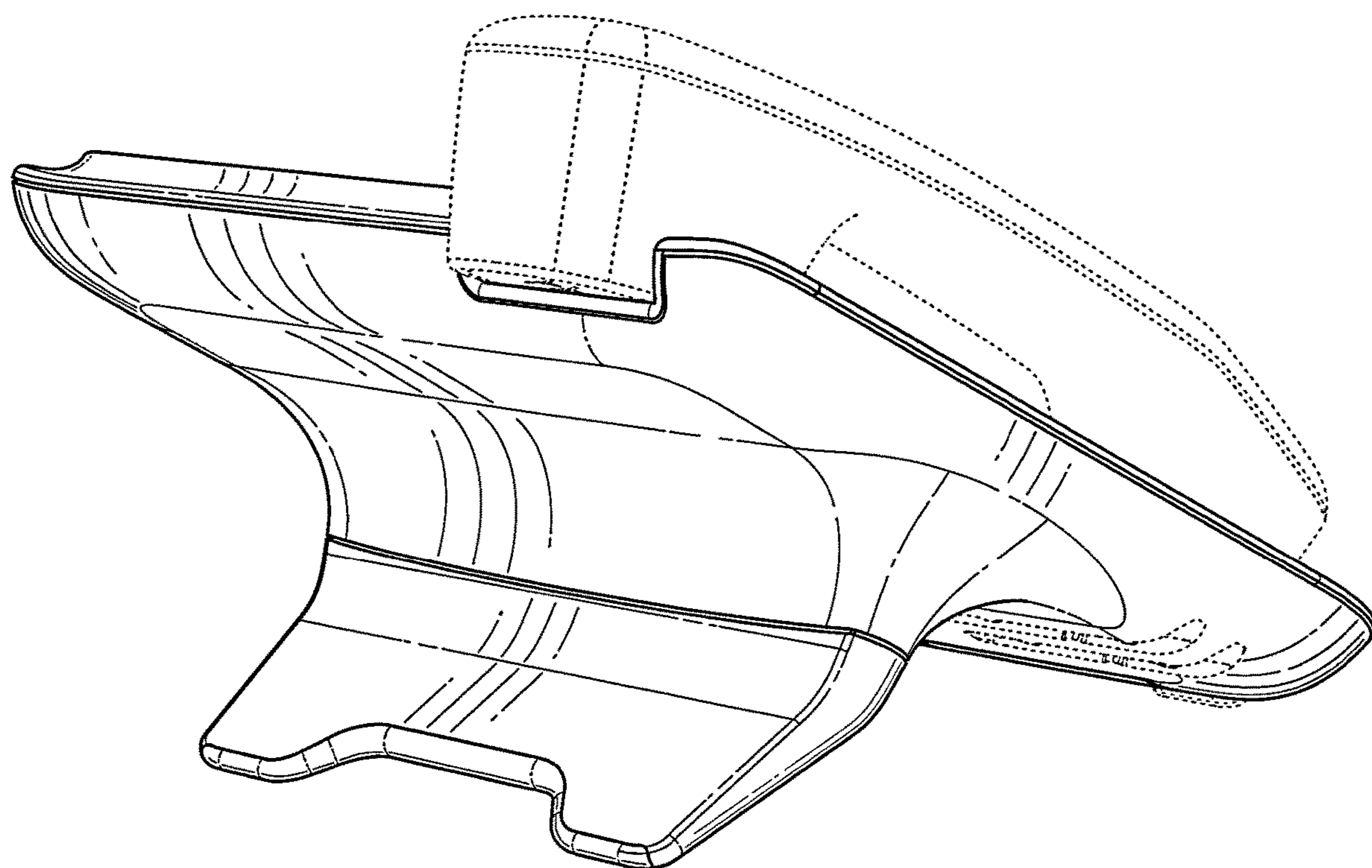


FIG. 10

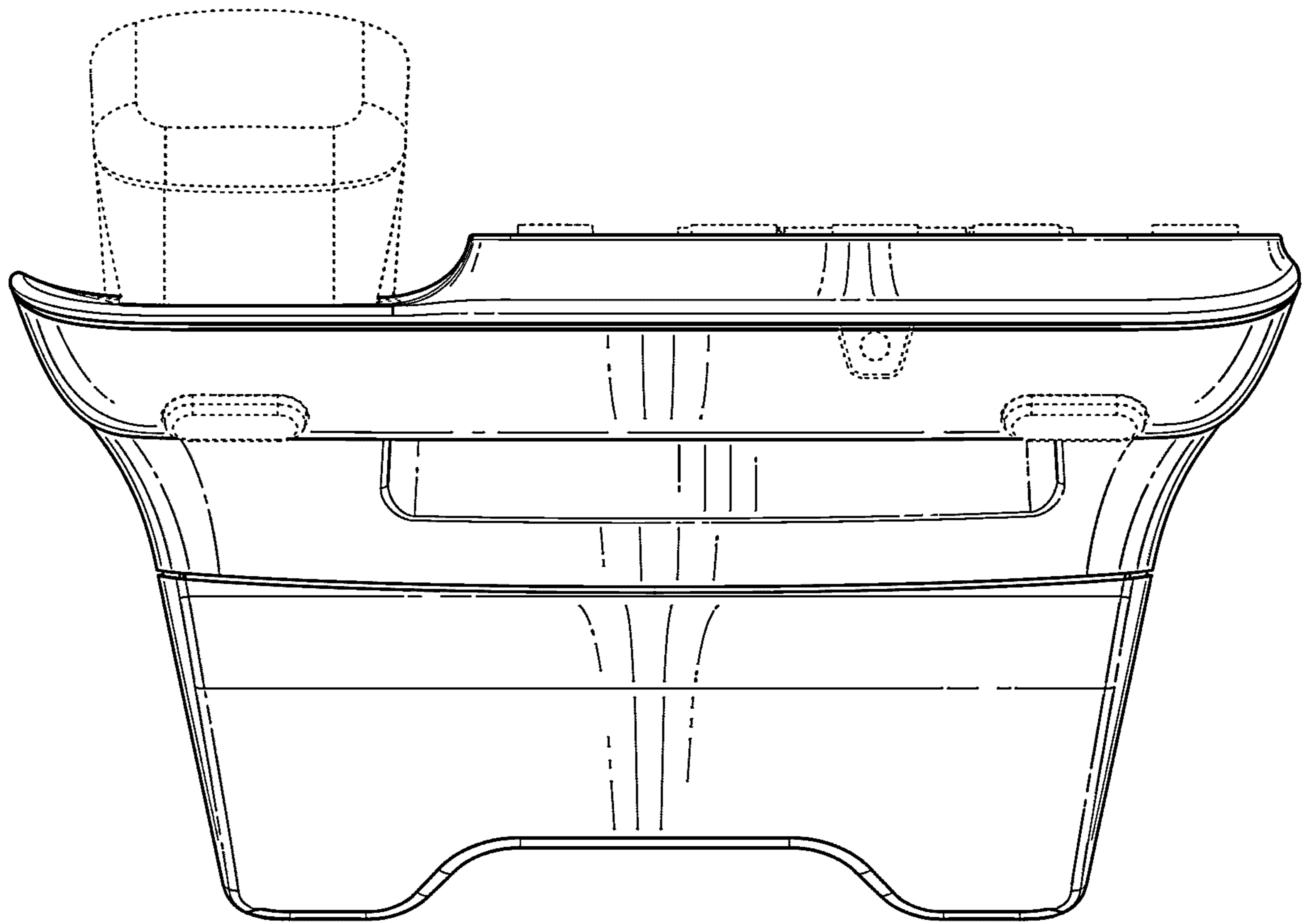


FIG. 11

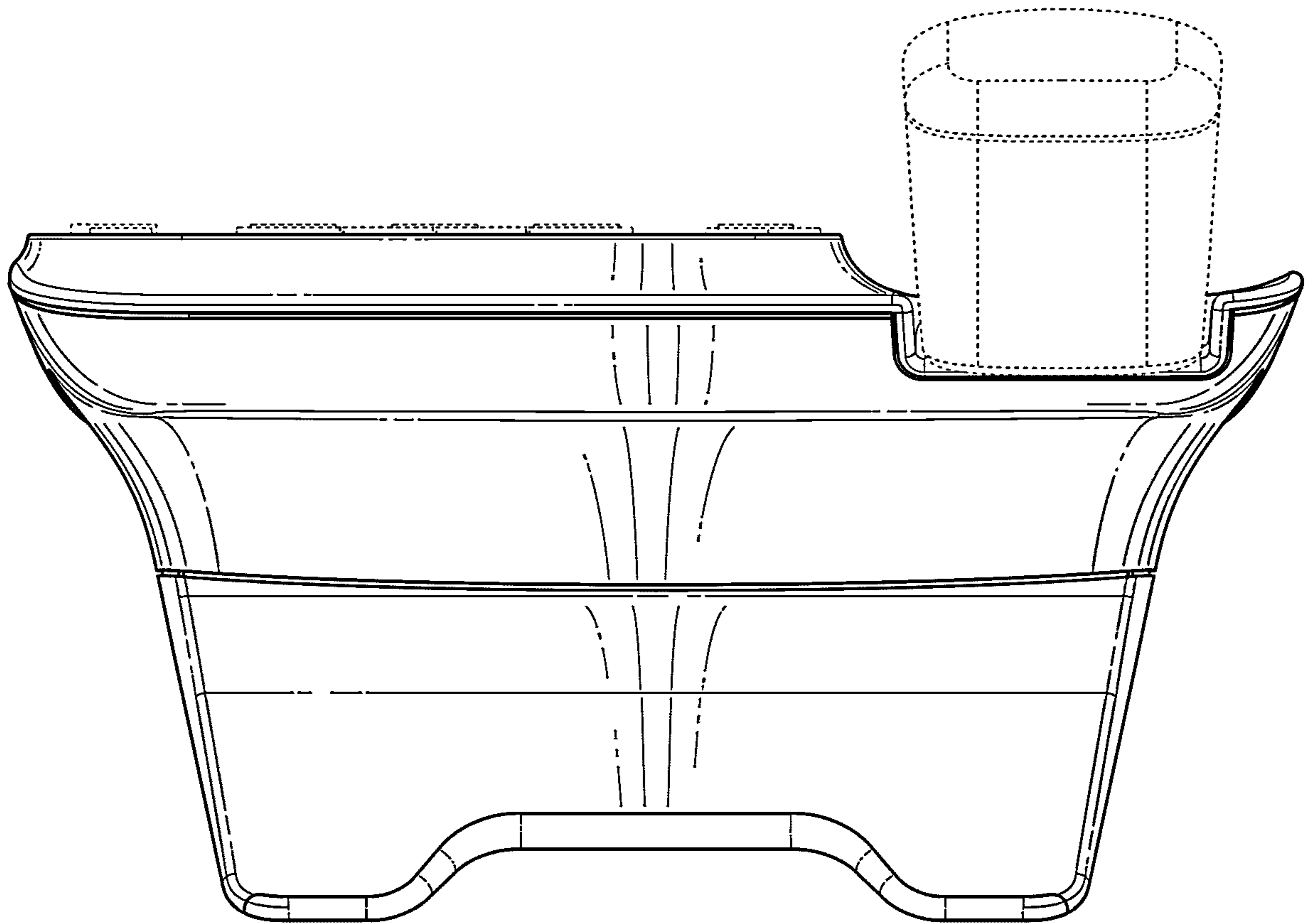


FIG. 12

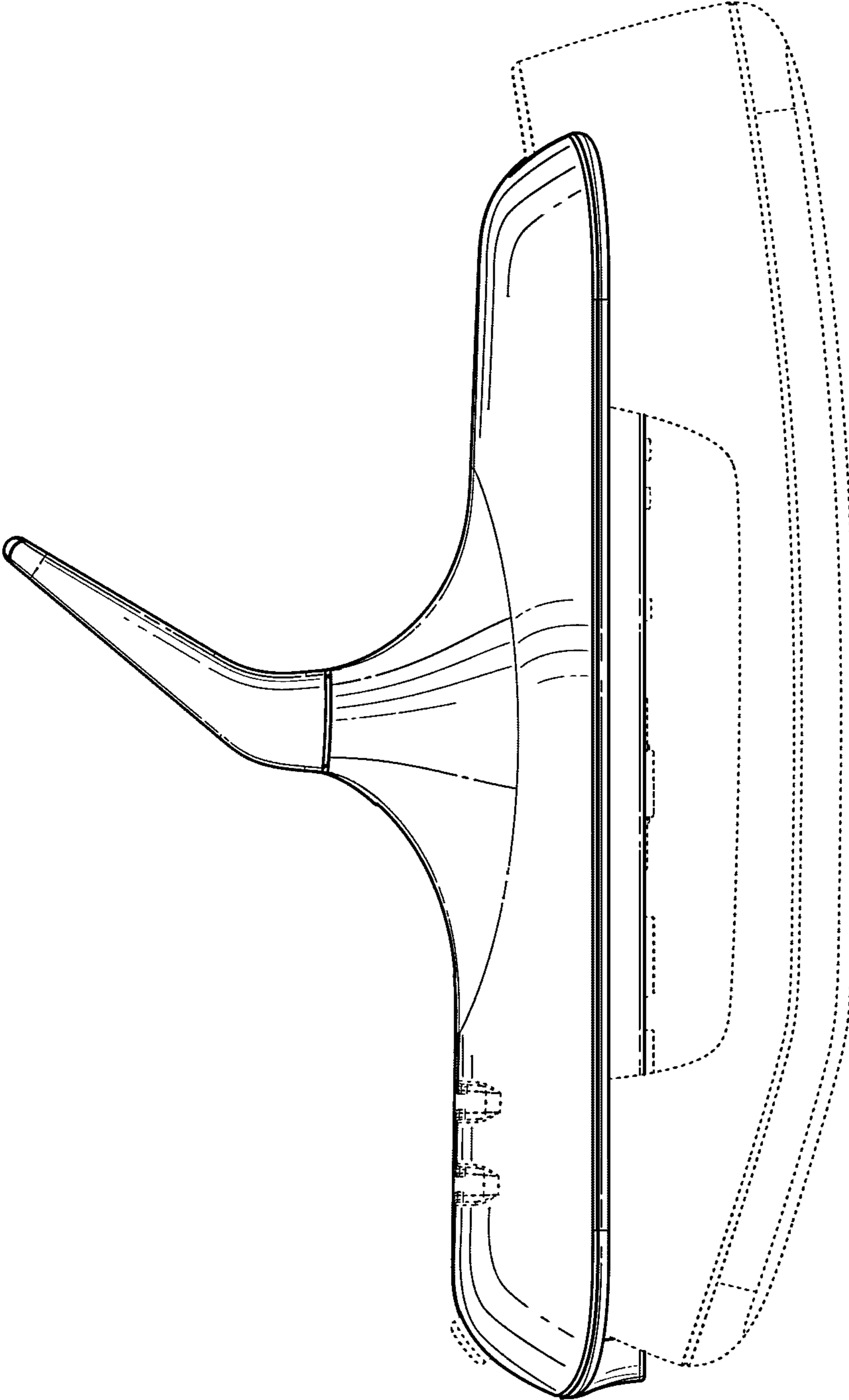


FIG. 13

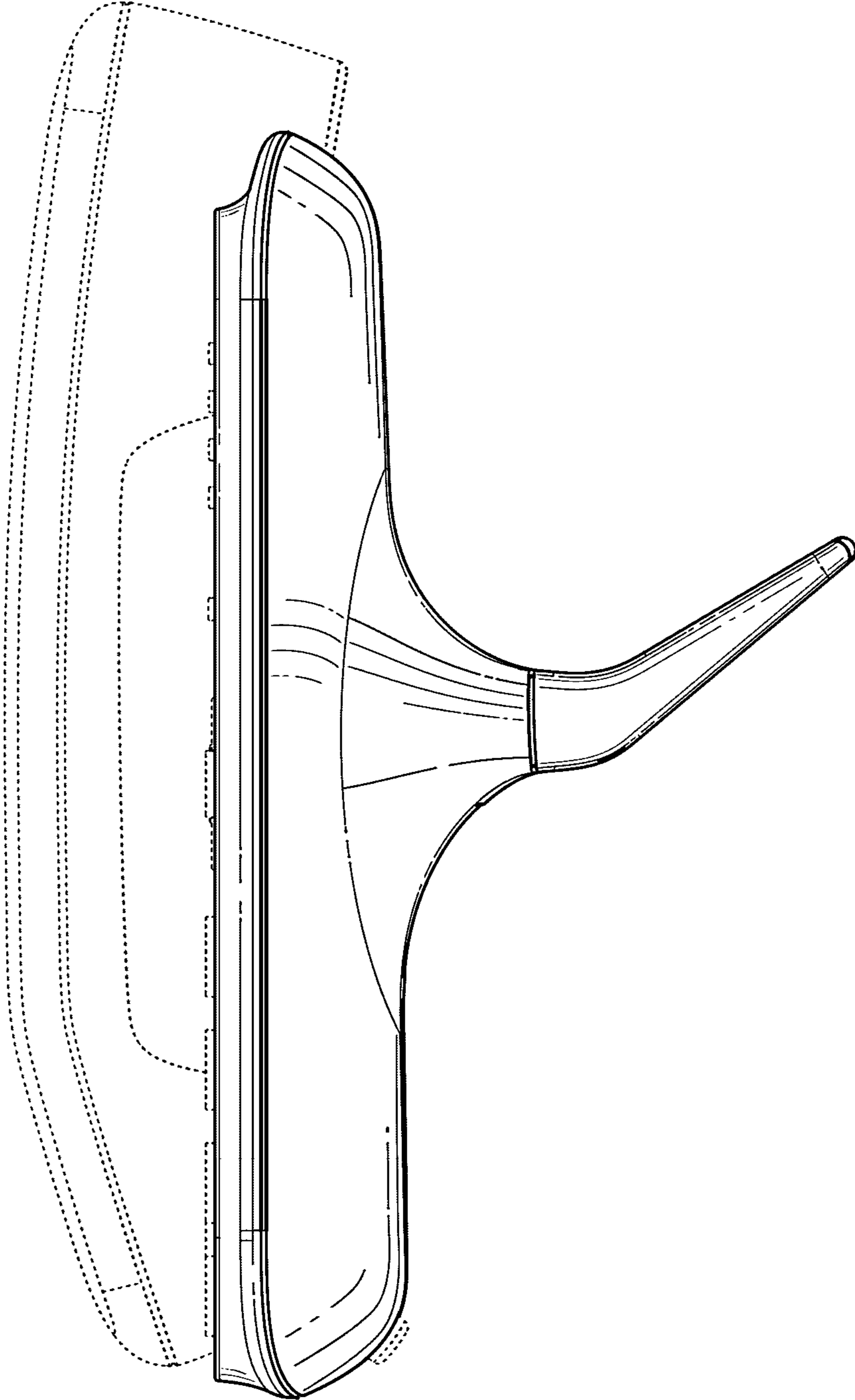


FIG. 14

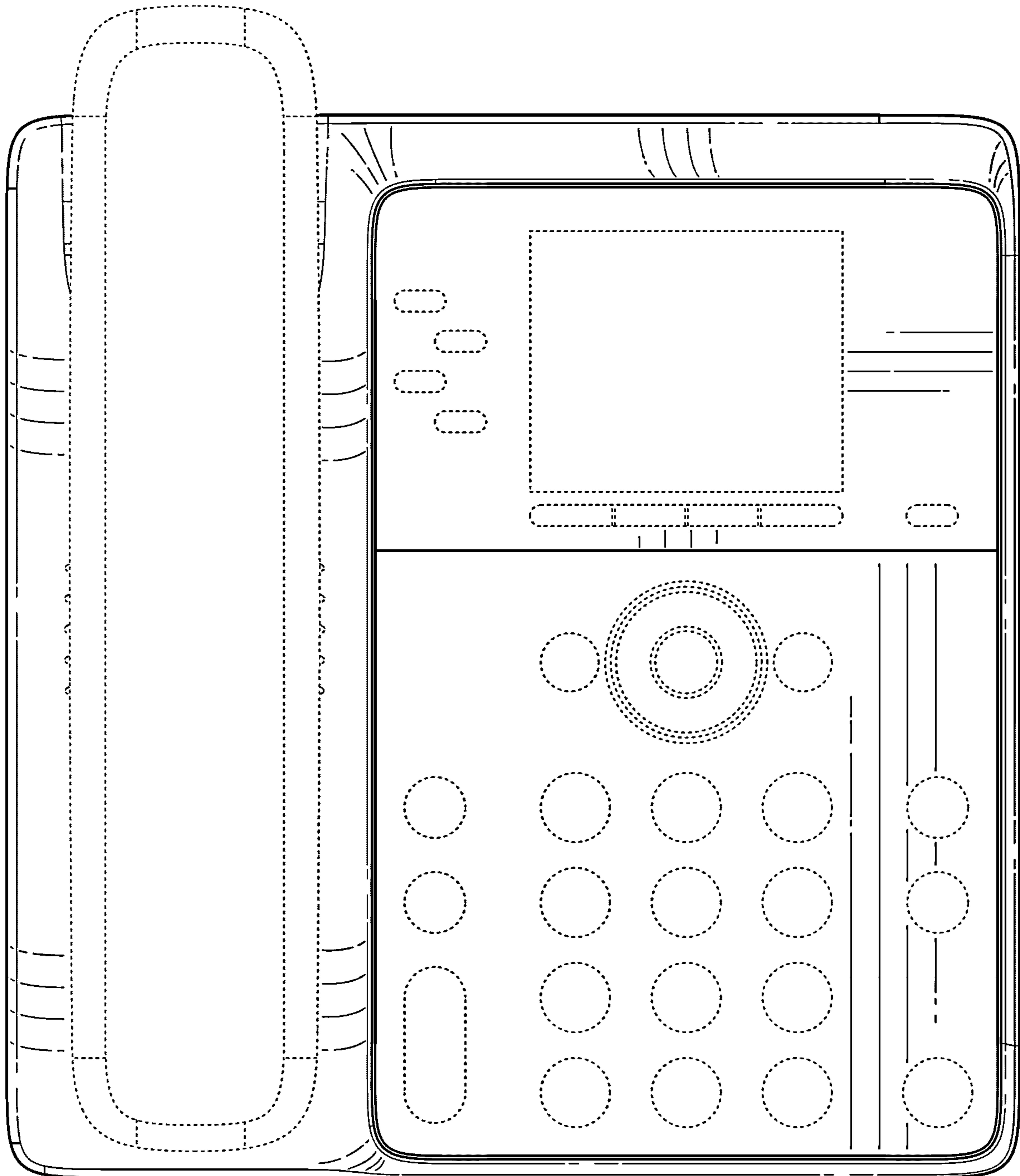


FIG. 15

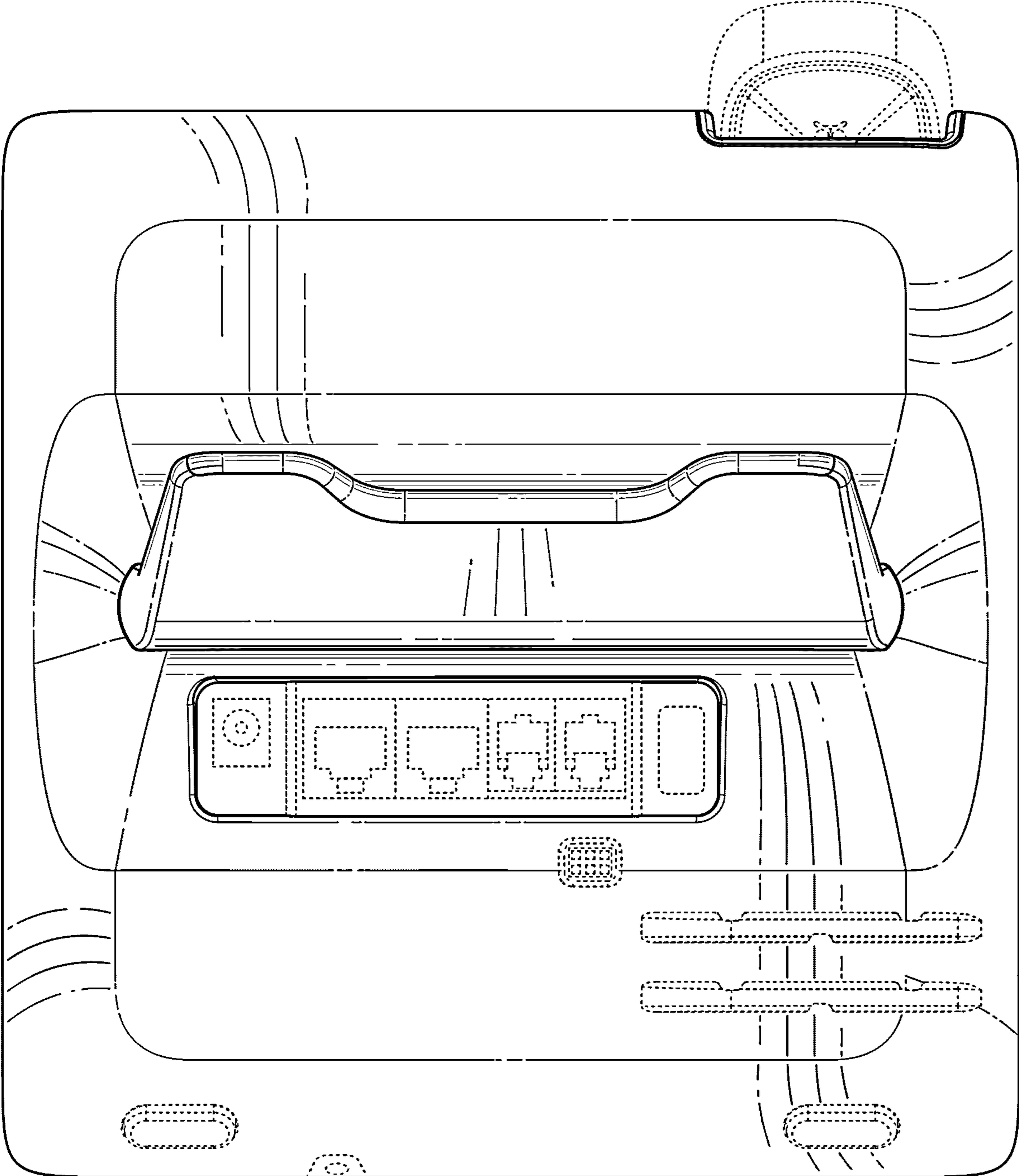


FIG. 16