



US00D986197S

(12) **United States Design Patent**
Woo et al.

(10) **Patent No.:** **US D986,197 S**

(45) **Date of Patent:** **** May 16, 2023**

(54) **HANDHELD COMMUNICATION DEVICE**

(74) *Attorney, Agent, or Firm* — Raguraman Kumaresan

(71) Applicant: **MOTOROLA SOLUTIONS, INC.**,
Chicago, IL (US)

(72) Inventors: **Kin Hee Woo**, Gelang Patah (MY);
Lee Sun Ooi, Kulim (MY); **Soon Hin Lee**,
Penang (MY); **Weng Kong Hor**,
Putterworth (MY)

(73) Assignee: **MOTOROLA SOLUTIONS, INC.**,
Chicago, IL (US)

(**) Term: **15 Years**

(21) Appl. No.: **29/808,676**

(22) Filed: **Sep. 22, 2021**

(51) **LOC (14) Cl.** **14-03**

(52) **U.S. Cl.**
USPC **D14/137**

(58) **Field of Classification Search**
USPC D14/137, 138 R, 138 AA, 138 AD;
D10/104.1

CPC .. H04B 1/3833; H04B 1/3827; H04B 1/3855;
H04B 2001/3861; H04M 1/0202; H04M
1/03; H04M 1/035

See application file for complete search history.

(56) **References Cited**

U.S. PATENT DOCUMENTS

D497,600 S *	10/2004	Richards	D14/137
D564,999 S *	3/2008	Richards	D14/137
D605,616 S *	12/2009	Scott	D14/137
D617,298 S *	6/2010	Kim	D14/138 AA
D654,035 S	2/2012	Ismail et al.		
D754,089 S *	4/2016	Yong	D14/137
D805,494 S *	12/2017	Richards	D14/137

(Continued)

Primary Examiner — Bridget L Eland

(57) **CLAIM**

The ornamental design for a handheld communication device, as shown and described.

DESCRIPTION

FIG. 1 is a front perspective view of a first embodiment of a handheld communication device showing our new design; FIG. 2 is a rear perspective view of the first embodiment thereof;

FIG. 3 is a front view of the first embodiment thereof; FIG. 4 is a rear view of the first embodiment thereof; FIG. 5 is a first side view of the first embodiment thereof; FIG. 6 is a second side view of the first embodiment thereof; FIG. 7 is a top view of the first embodiment thereof; and FIG. 8 is a bottom view of the first embodiment thereof.

FIG. 9 is a front perspective view of a second embodiment of a handheld communication device showing our new design;

FIG. 10 is a rear perspective view of the second embodiment thereof;

FIG. 11 is a front view of the second embodiment thereof; FIG. 12 is a rear view of the second embodiment thereof;

FIG. 13 is a first side view of the second embodiment thereof;

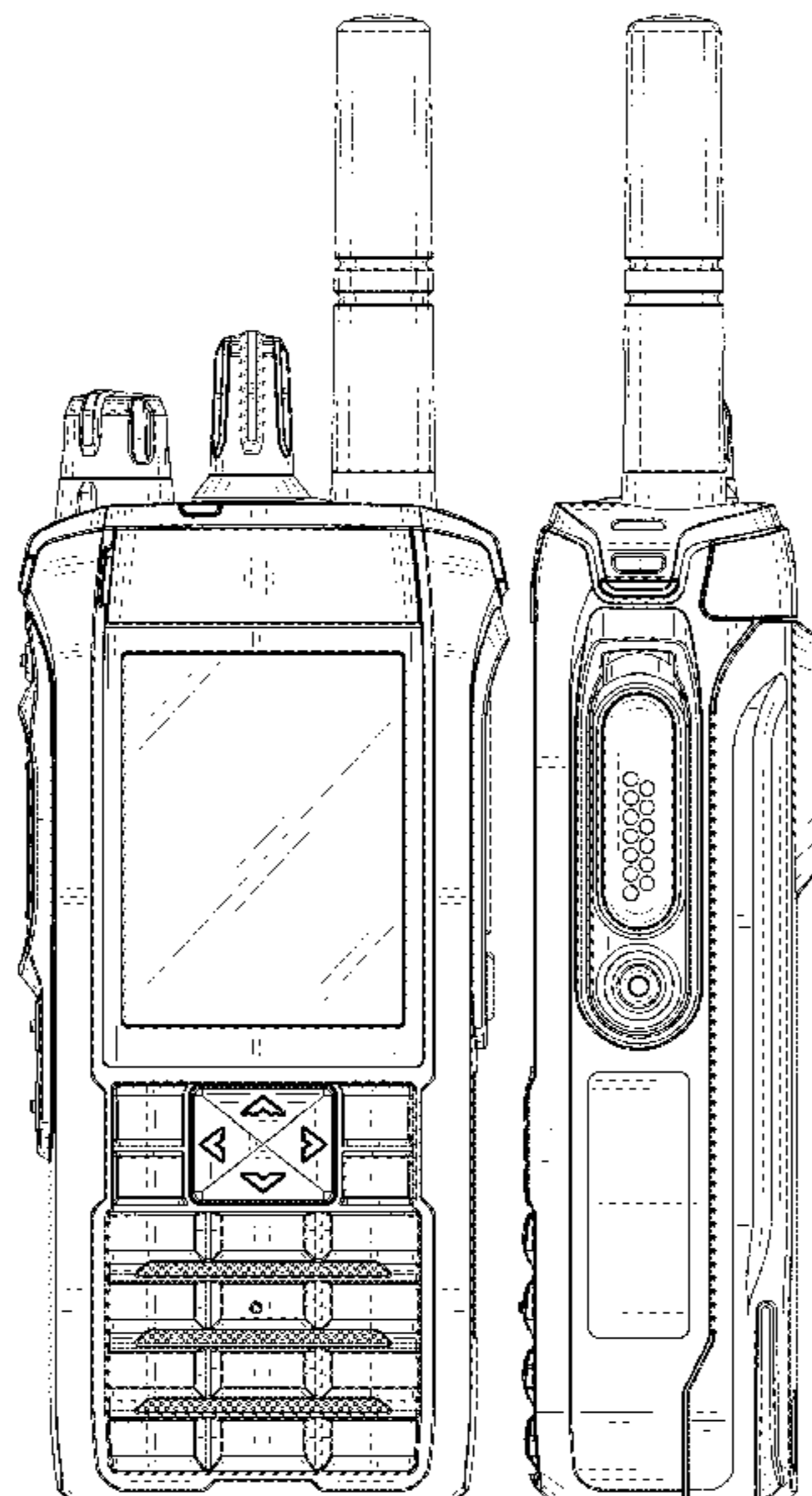
FIG. 14 is a second side view of the second embodiment thereof;

FIG. 15 is a top view of the second embodiment thereof; and,

FIG. 16 is a bottom view of the second embodiment thereof.

The broken lines shown in FIGS. 9-16 show portions of the handheld communication device that form no part of the claimed design in the embodiment in which they are shown.

1 Claim, 14 Drawing Sheets



(56)

References Cited

U.S. PATENT DOCUMENTS

D890,711 S * 7/2020 Lee D14/137
D896,197 S * 9/2020 Lee D14/137

* cited by examiner

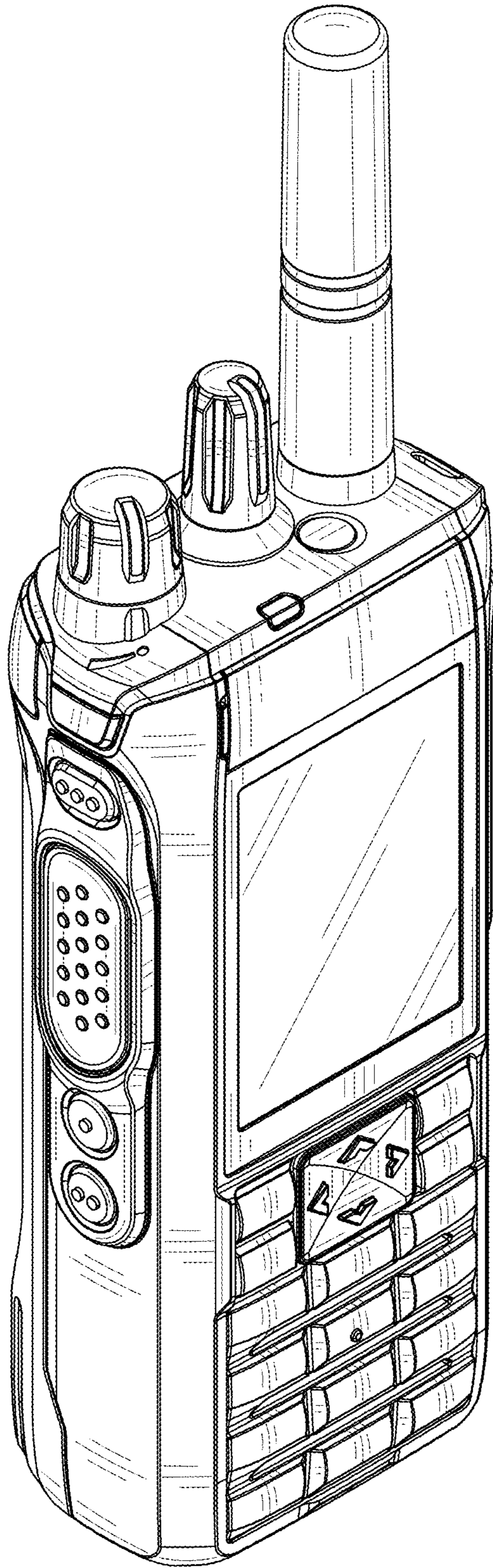


FIG. 1

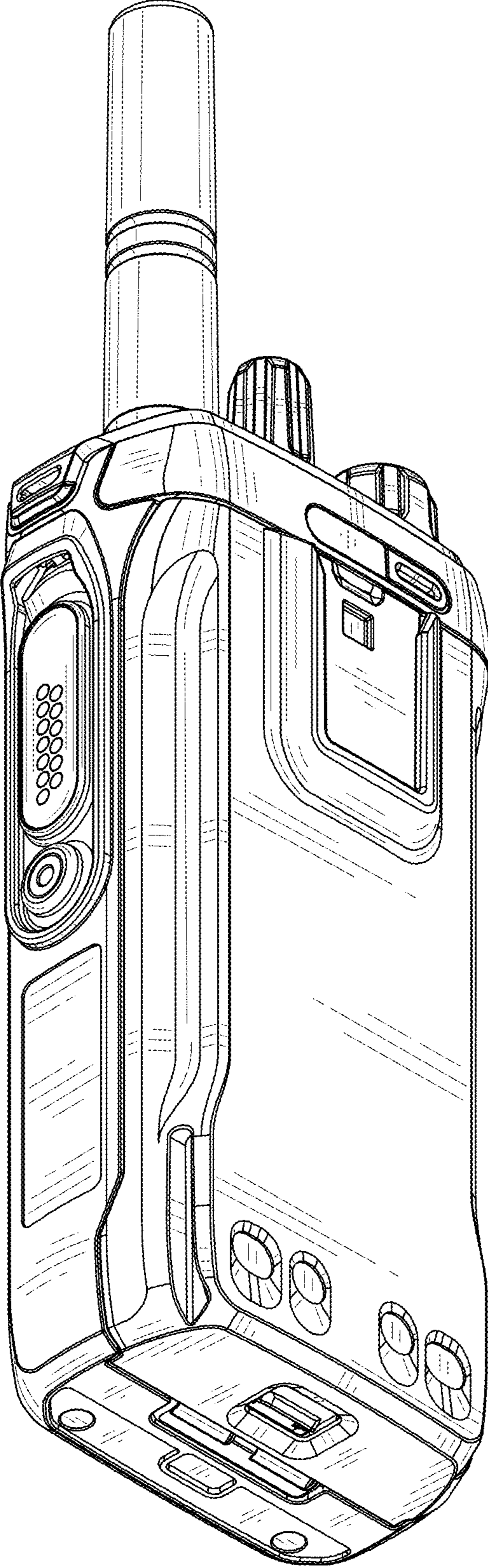


FIG. 2

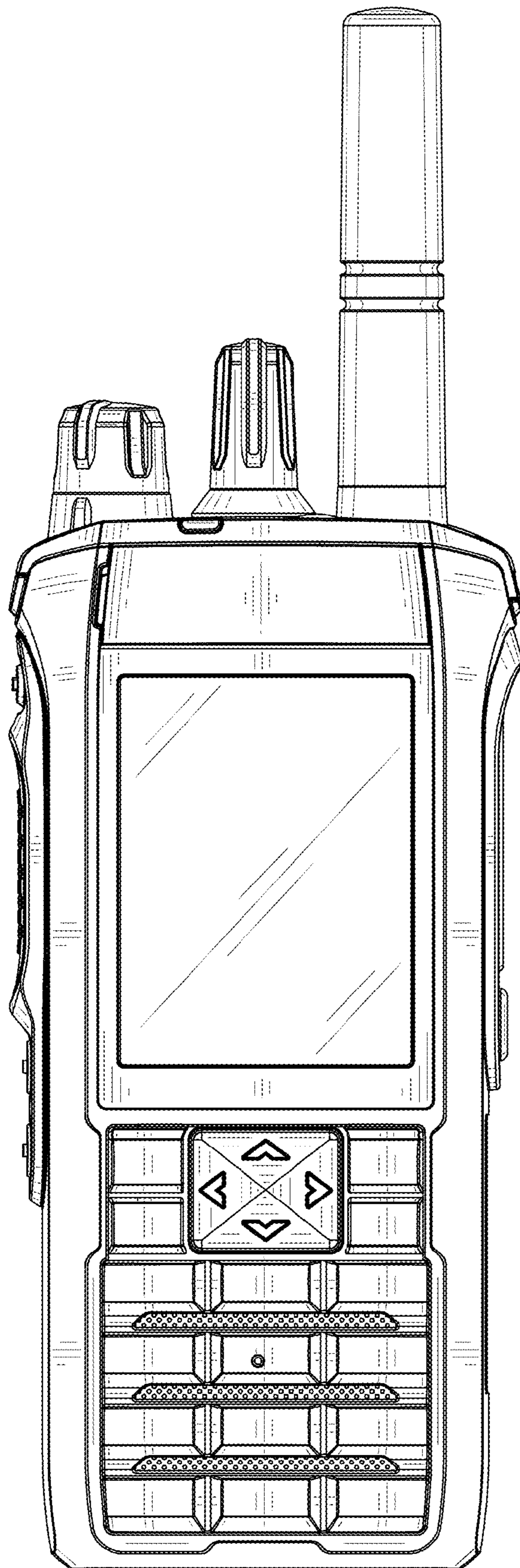


FIG. 3

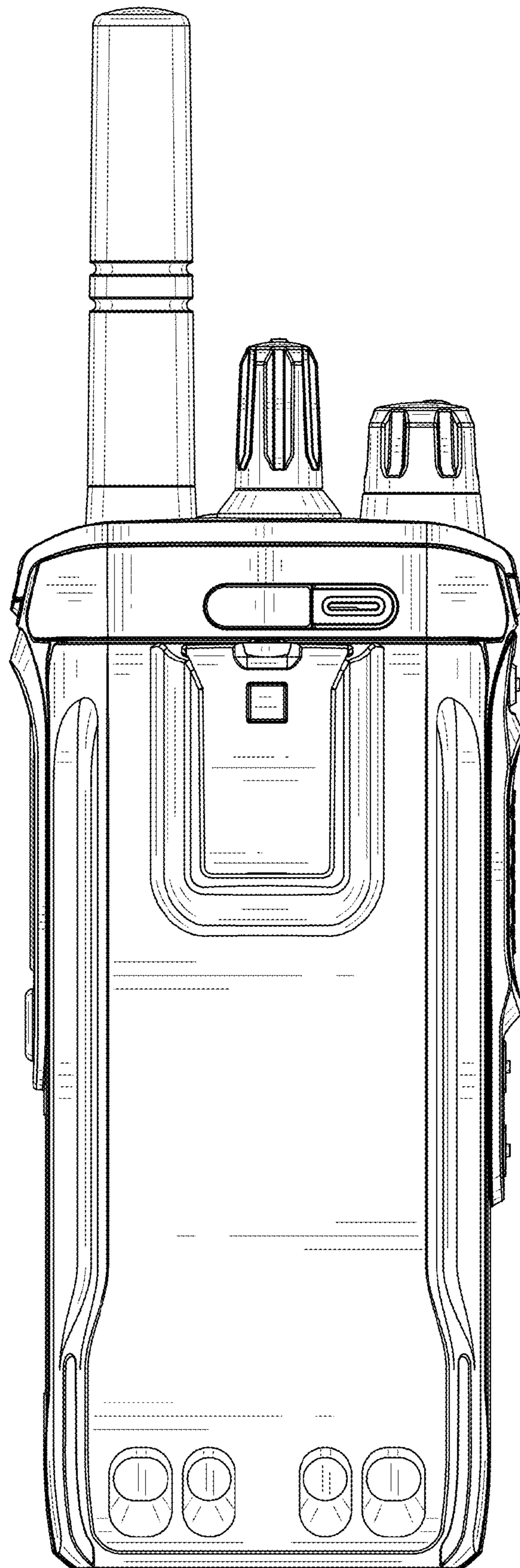


FIG. 4

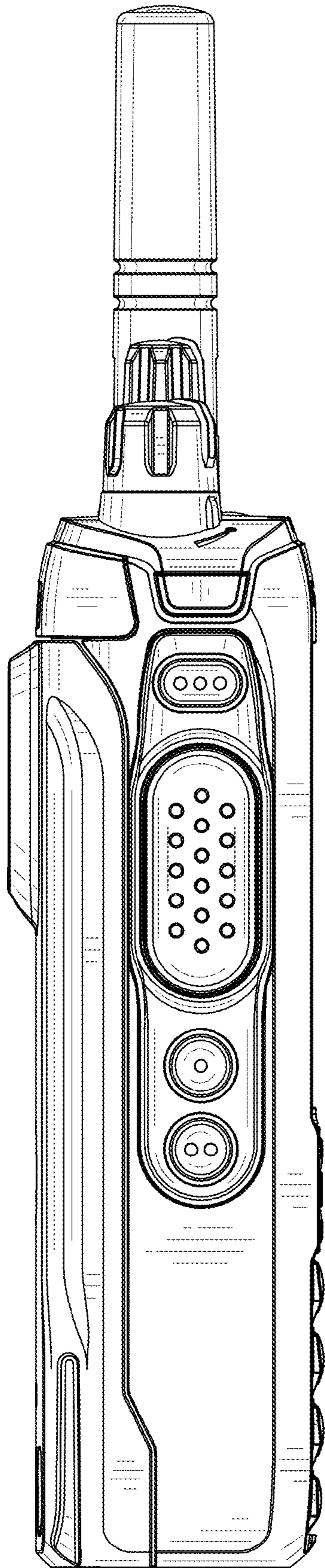


FIG. 5

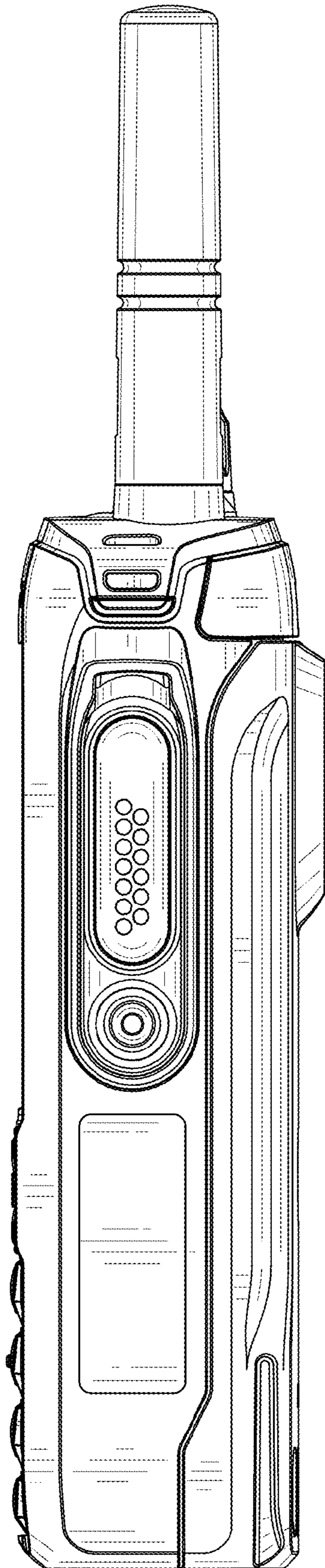


FIG. 6

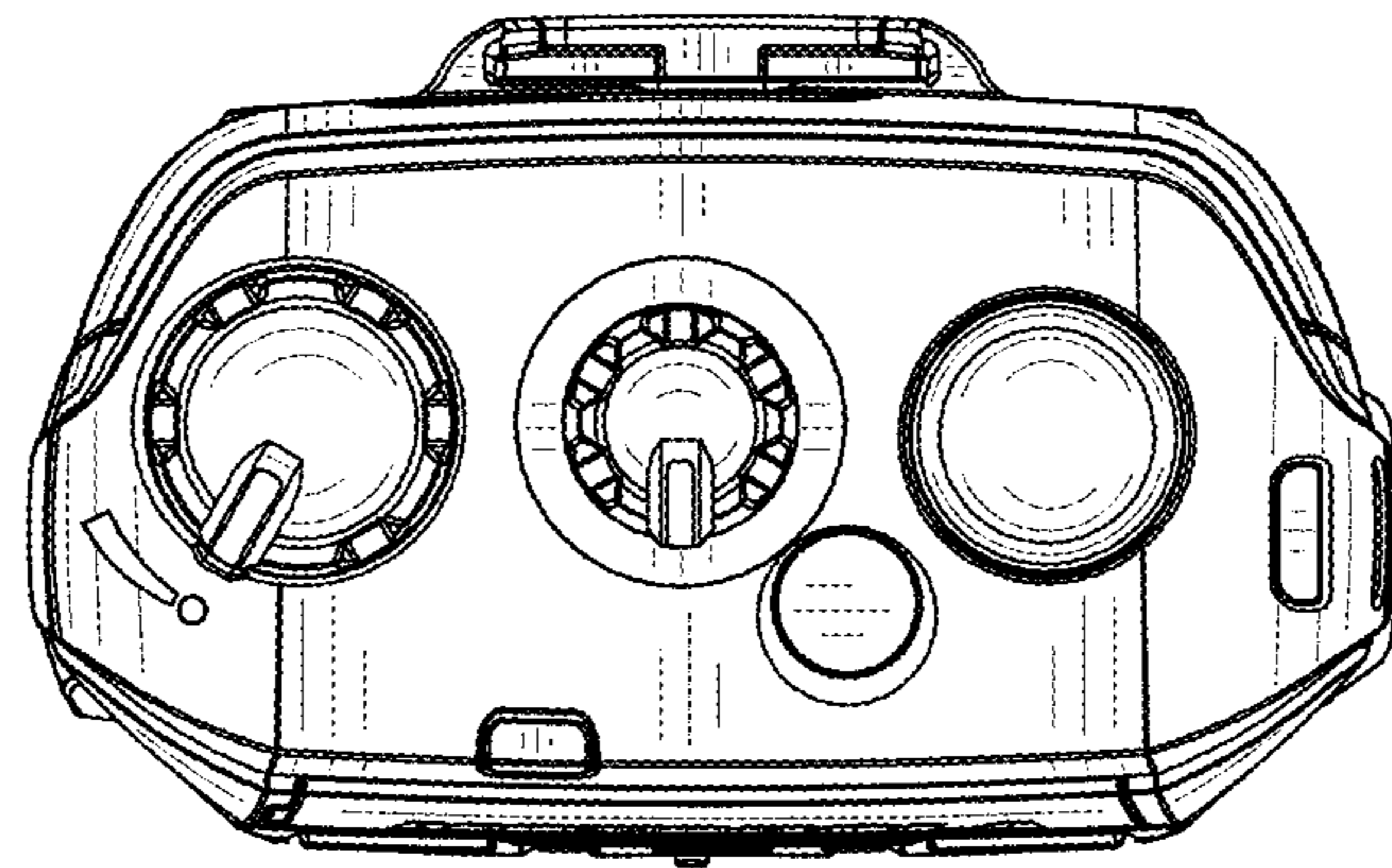


FIG. 7

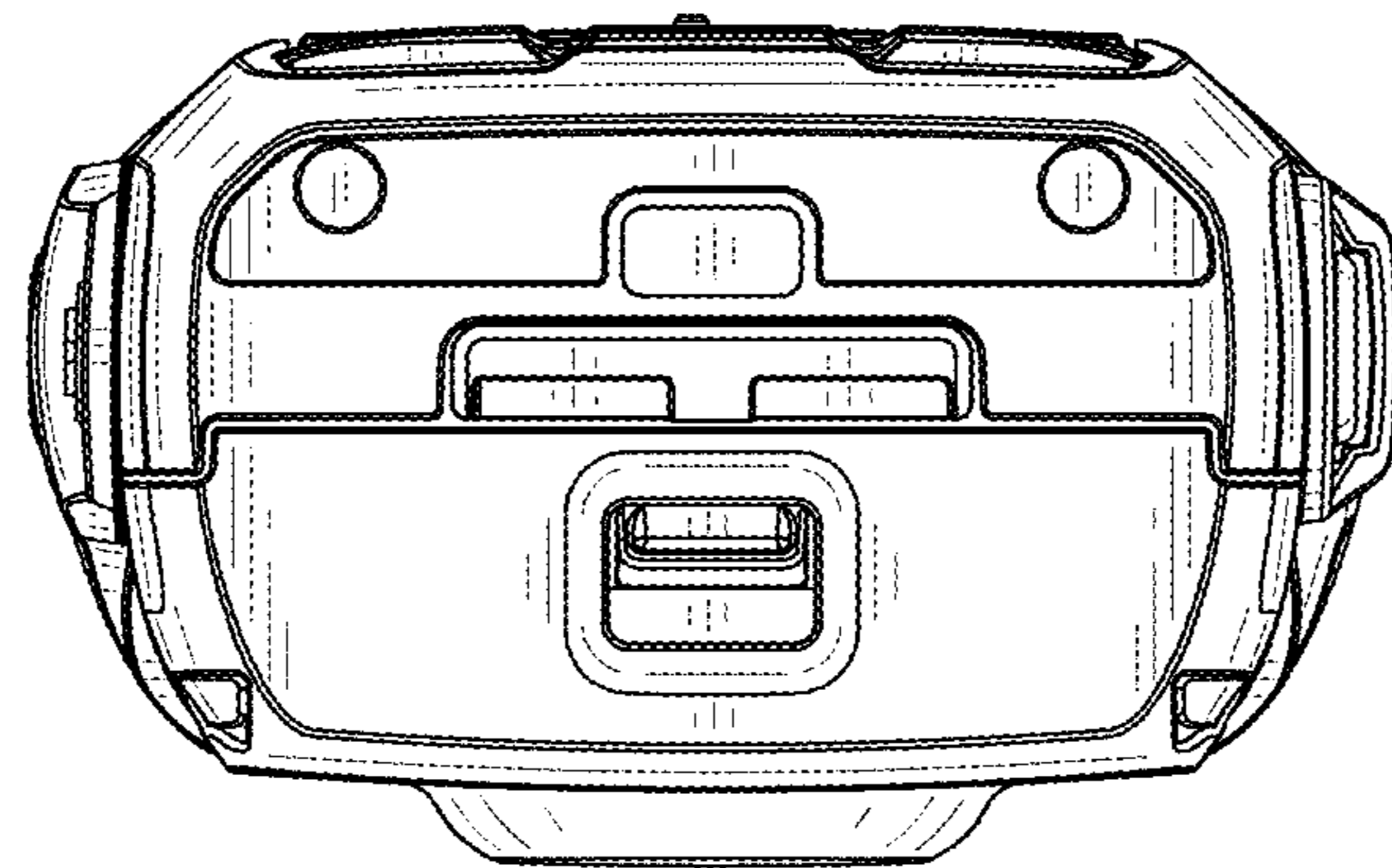


FIG. 8

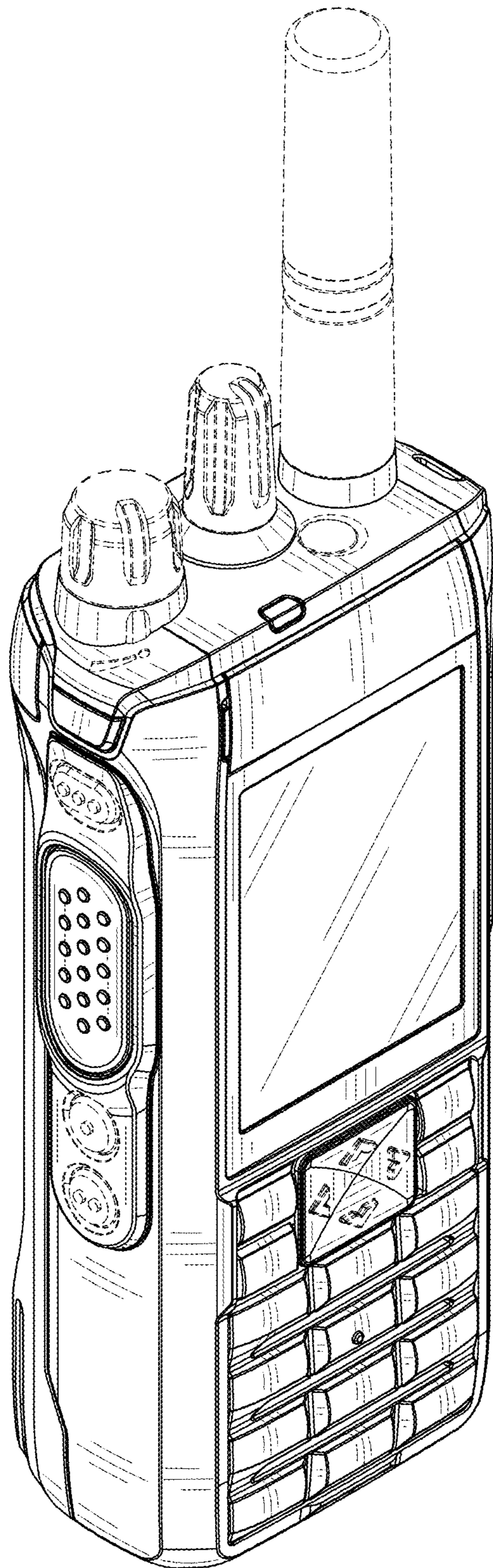


FIG. 9

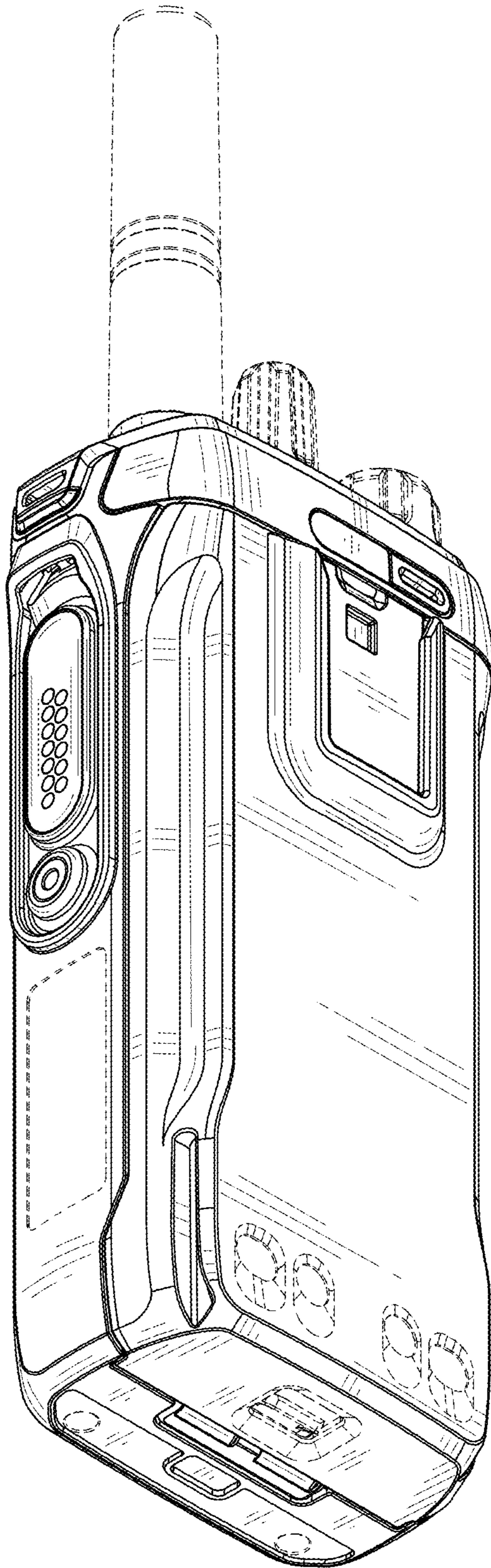


FIG. 10

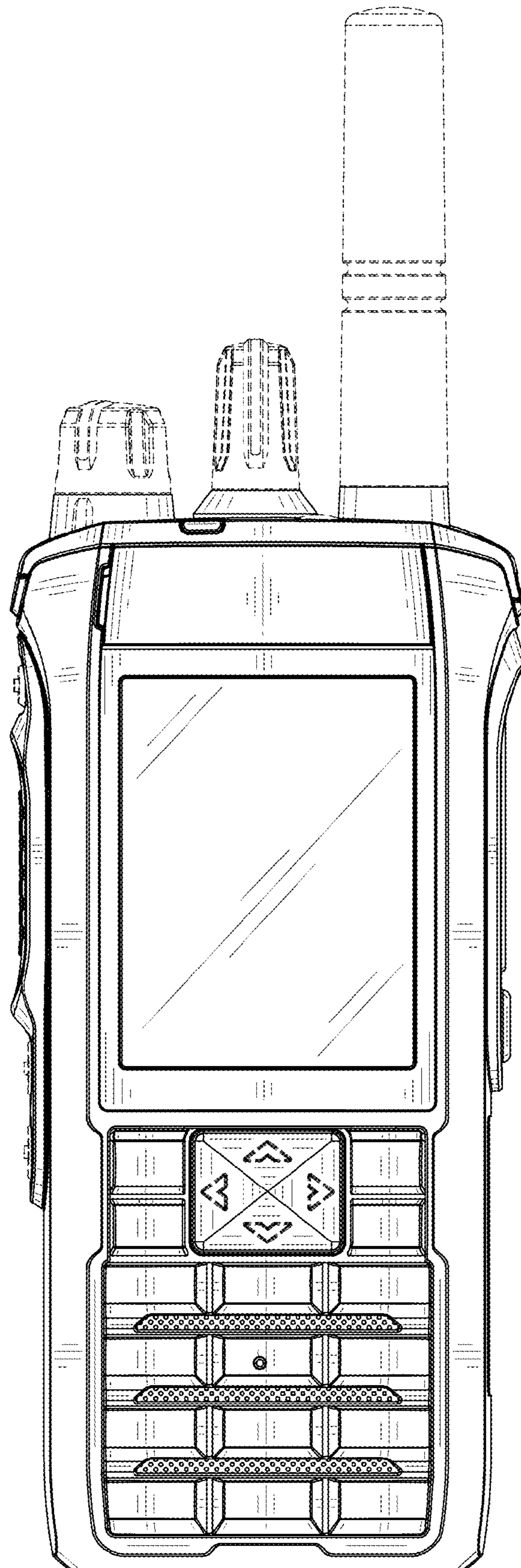


FIG. 11

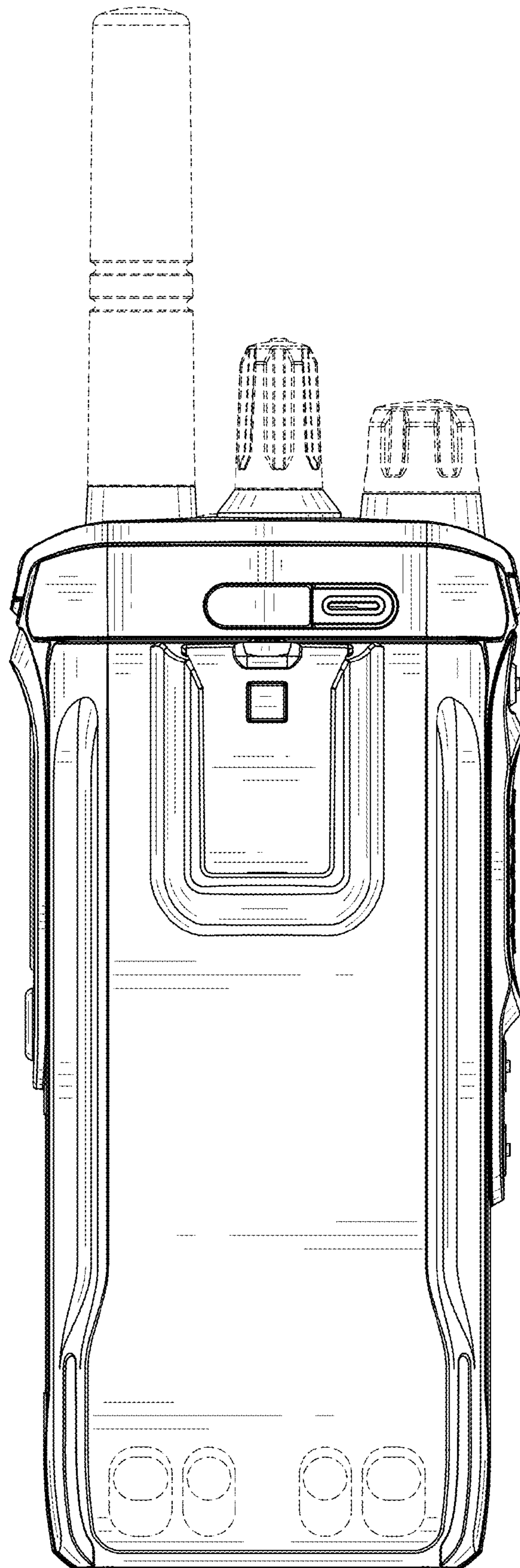


FIG. 12

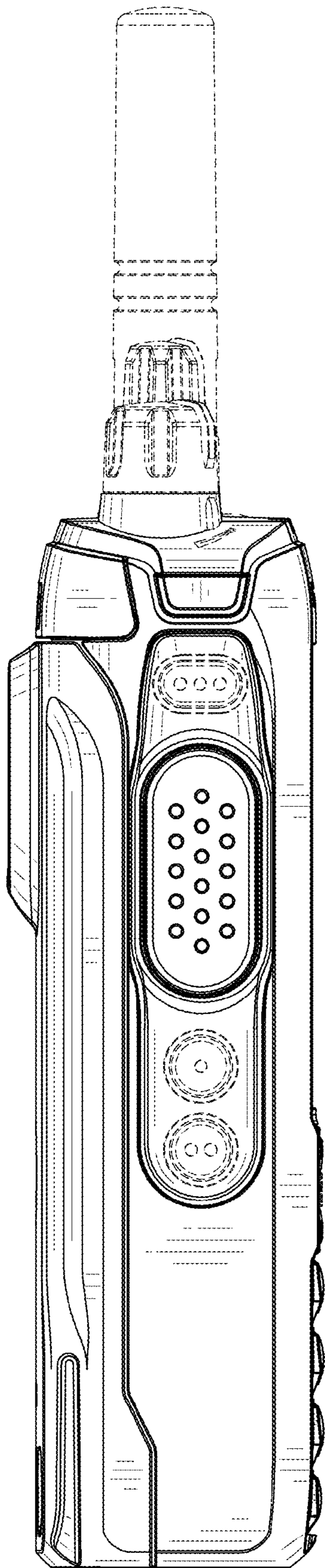


FIG. 13

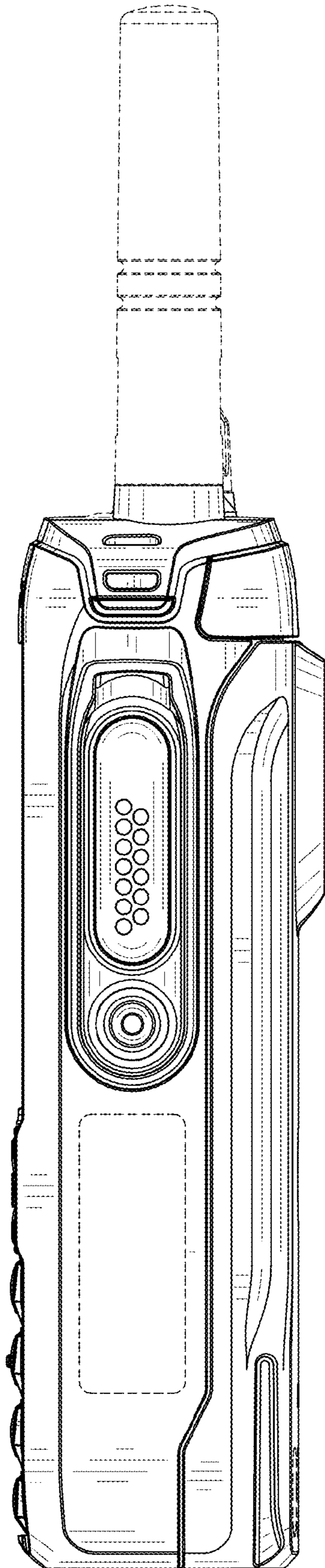


FIG. 14

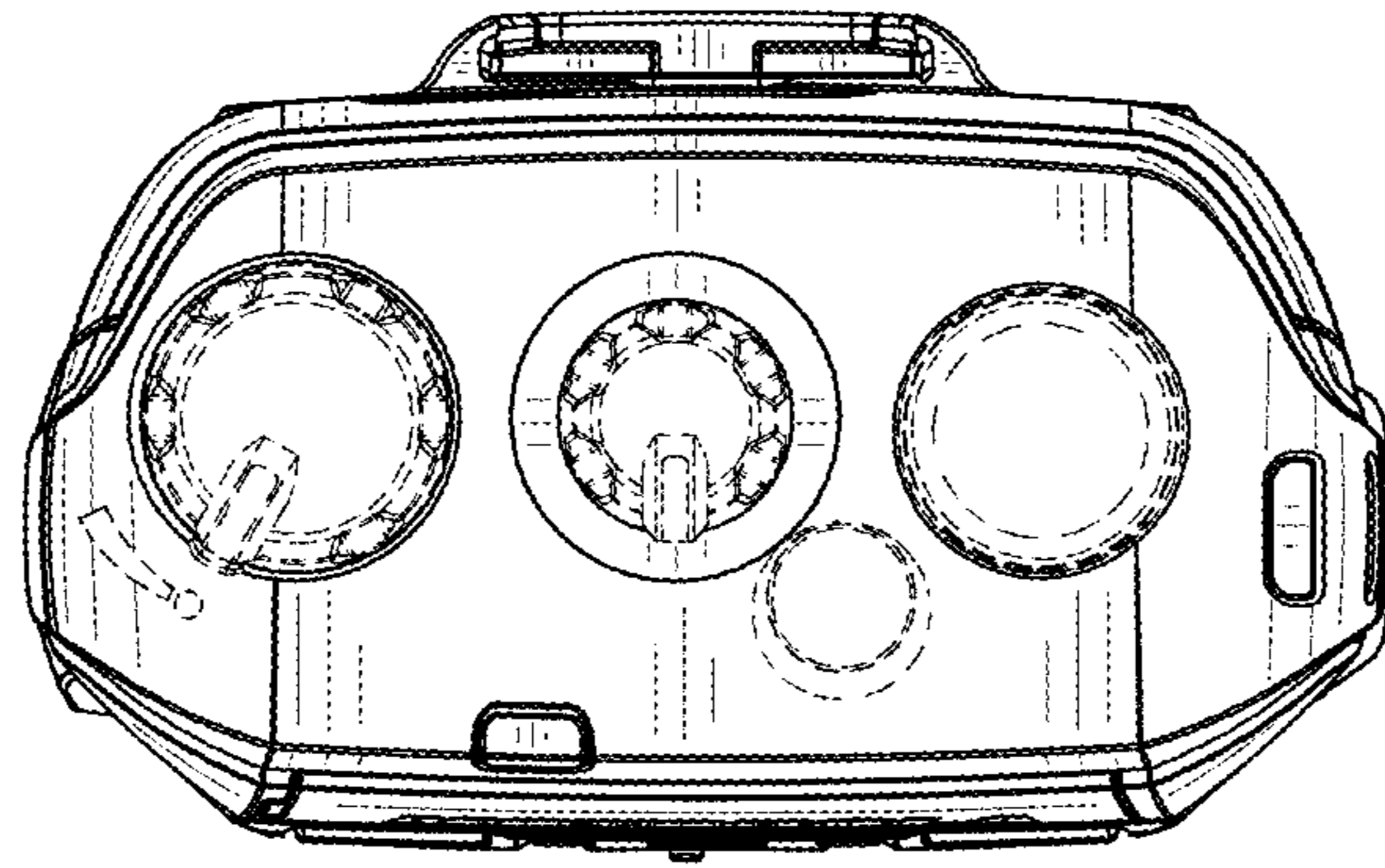


FIG. 15

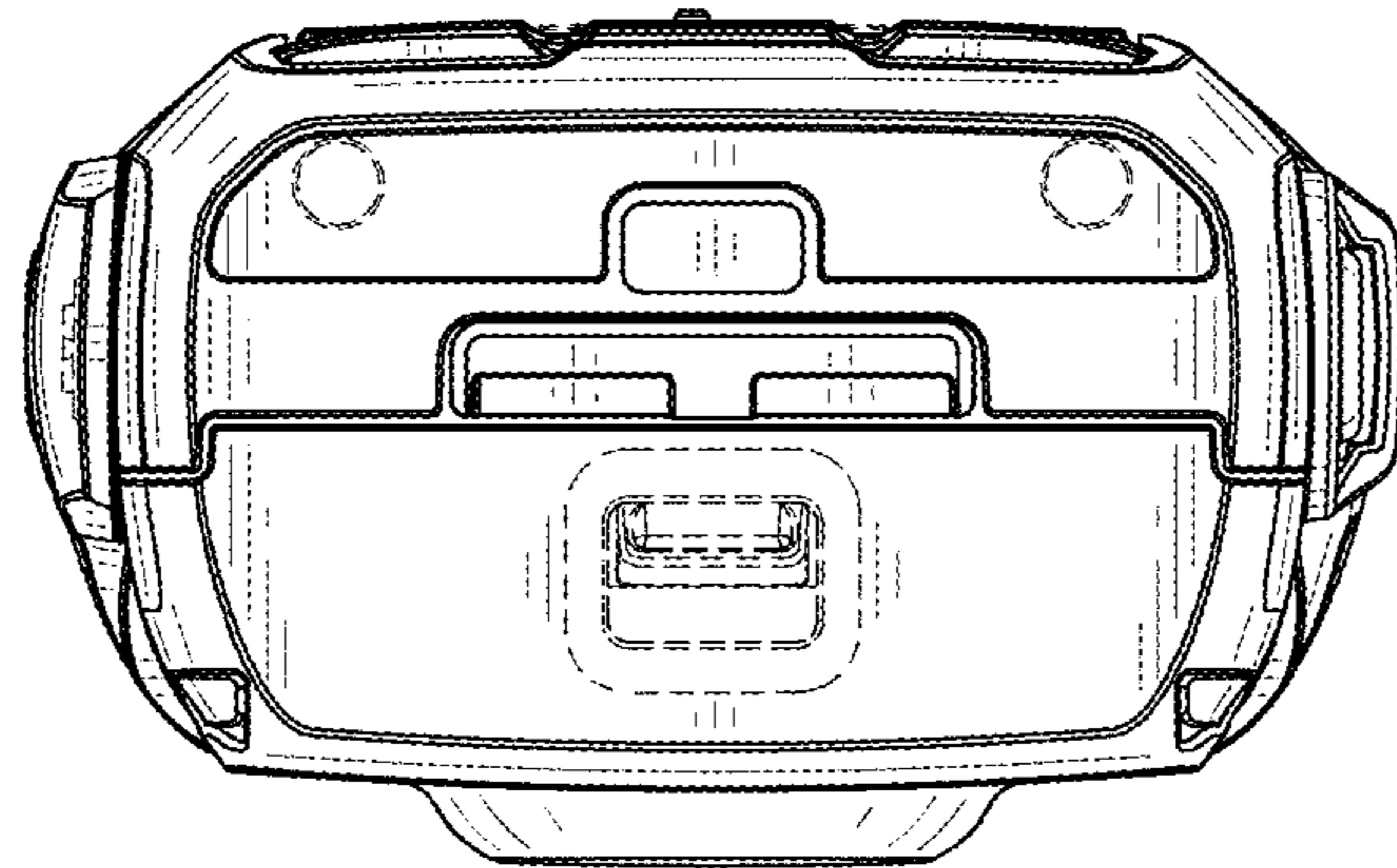


FIG. 16