



US00D986196S

(12) **United States Design Patent** (10) **Patent No.:** **US D986,196 S**
Brutler et al. (45) **Date of Patent:** **** May 16, 2023**

(54) **COMMUNICATION MODULE**

FOREIGN PATENT DOCUMENTS

(71) Applicant: **Gentex Corporation**, Simpson, PA (US)

CA 178845 * 12/2018
CN 307711910 * 12/2022

(Continued)

(72) Inventors: **Zoltan S. Brutler**, Groton, MA (US);
Michael Pearson Blundell, Windham, NH (US)

OTHER PUBLICATIONS

(73) Assignee: **Gentex Corporation**, Simpson, PA (US)

Ops-core (by Gentex) Two Channel Modular PTT Kit, Data sheet, (c) Nov. 2022 Gentex corp, [online], [site visited Jan. 18, 2023]. Available from Internet, URL:<https://shop.gentexcorp.com/content/AMP_Two_Channel_Modular_PTT-Kit_Ops-Core_Data-Sheet.pdf> (Year: 2022).*

(**) Term: **15 Years**

(Continued)

(21) Appl. No.: **29/740,165**

(22) Filed: **Jul. 1, 2020**

Primary Examiner — Jeffrey D Asch

Related U.S. Application Data

(74) *Attorney, Agent, or Firm* — Morgan, Lewis & Bockius LLP

(63) Continuation of application No. 29/648,122, filed on May 18, 2018, now Pat. No. Des. 891,384.

(51) **LOC (14) Cl.** **14-03**

(52) **U.S. Cl.**

USPC **D14/137**; D14/223

(57) **CLAIM**

(58) **Field of Classification Search**

USPC D14/137, 138 R, 138 AA, 147, 148, 218, D14/155, 159, 142, 225, 226, 191, 243, D14/140, 140.6, 223, 188, 192, 194, 197, D14/198, 168; D21/517, 566; D10/104.1, 104.2, 106.1, 65; D13/168; D30/199; D6/545; D26/38
CPC H04B 1/3833; H04B 1/3827; H04B 2001/3861; H04M 1/0202; H04M 1/03; H04M 1/035; G08B 21/0202; H03G 3/342

The ornamental design for a communication module, as shown and described.

See application file for complete search history.

DESCRIPTION

FIG. 1 is a front perspective view of a communication module showing our new design;
FIG. 2 is a rear perspective view thereof;
FIG. 3 is a front elevational view thereof;
FIG. 4 is a rear elevational view thereof;
FIG. 5 is a right-side elevational view thereof;
FIG. 6 is a left-side elevational view thereof;
FIG. 7 is a top plan view thereof; and,
FIG. 8 is a bottom plan view thereof.

The broken lines illustrate structure or features that form no part of the claimed design. The dash-dot-dash broken lines illustrate boundaries that form no part of the claimed design.

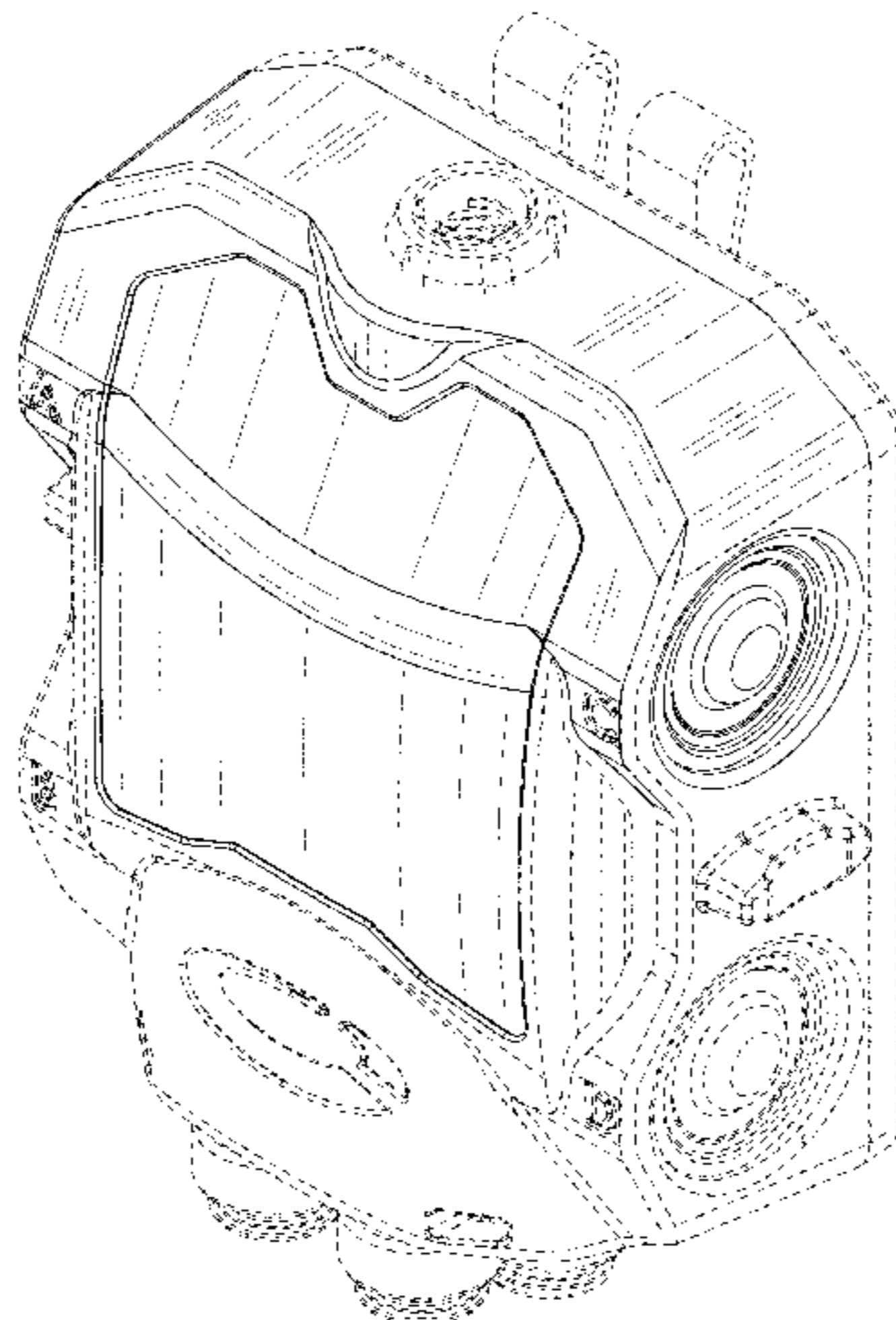
(56) **References Cited**

U.S. PATENT DOCUMENTS

D194,790 S 3/1963 Neuhardt et al.
D253,441 S 11/1979 Tucker
4,374,301 A 2/1983 Frieder, Jr.
4,508,936 A 4/1985 Ingalls

(Continued)

1 Claim, 8 Drawing Sheets



(56)

References Cited

U.S. PATENT DOCUMENTS

D310,082 S 8/1990 Kehl et al.
 D352,706 S 11/1994 Hong
 6,064,019 A * 5/2000 Buchan H01H 13/70
 200/341
 D440,504 S 4/2001 Wamer et al.
 D454,556 S 3/2002 Schmidt et al.
 D492,607 S 7/2004 Curkovic et al.
 D512,709 S 12/2005 Hemer
 D525,962 S 8/2006 Elson
 D533,534 S 12/2006 Brown et al.
 D539,181 S 3/2007 Concari
 D564,387 S 3/2008 Rubin et al.
 D574,283 S 8/2008 Anderson et al.
 D575,771 S 8/2008 Tolve
 D589,490 S 3/2009 Thusbass
 D590,286 S 4/2009 Hollstein et al.
 D593,693 S 6/2009 Adamany et al.
 D606,983 S 12/2009 Hamer et al.
 D628,421 S 12/2010 Ophardt et al.
 D645,028 S 9/2011 Pescetto et al.
 D661,682 S 6/2012 Polito
 D673,473 S 1/2013 Hogg
 D714,766 S * 10/2014 Hakansson D14/137
 D723,506 S 3/2015 Aglassinger
 D725,085 S 3/2015 Barker et al.
 D735,708 S 8/2015 Kohlbecher et al.
 D742,367 S 11/2015 Appleton
 D799,353 S 10/2017 Qu et al.
 D816,067 S * 4/2018 Ely D14/225
 D859,340 S 9/2019 Siponen

D864,901 S 10/2019 Barber et al.
 D869,034 S 12/2019 Eichelberger et al.
 D885,623 S * 5/2020 Qiu D26/38
 D890,715 S * 7/2020 Li D14/155
 D891,384 S * 7/2020 Brutler D14/137
 D898,686 S * 10/2020 Lan D13/168
 D913,983 S * 3/2021 Tong D14/155
 D938,372 S * 12/2021 Shaw D13/168
 D948,365 S * 4/2022 Thomson D10/104.1
 D953,306 S * 5/2022 Zhang D14/188
 D963,597 S * 9/2022 Merwin D13/168
 2007/0111754 A1 5/2007 Marshall et al.
 2015/0366308 A1 12/2015 Cipolla et al.
 2021/0226599 A1 * 7/2021 Hudson H04R 5/033

FOREIGN PATENT DOCUMENTS

GB 9005826872-0007 * 11/2018
 NZ 425316-0001 * 11/2018

OTHER PUBLICATIONS

Silynx C4OPS pocket guide, pp. 1,3,4,5,6,13,42, published by Silynx (c) Nov. 2010, [online], [site visited Jan. 18, 2023]. Available from Internet, URL:< <https://www.silynx.com/wp-content/uploads/2020/10/C4Ops-Pocket-Guide-sm-novector.pdf>> (Year: 2010).
 Invisio V20, published by Invisio Communications Jan. 16, 2019, on YouTube.com, [online], [site visited Mar. 23, 2020], Available from Internet, URL:<<https://www.youtube.com/watch?v=zSsXKwkojH0>> (Year: 2019).

* cited by examiner

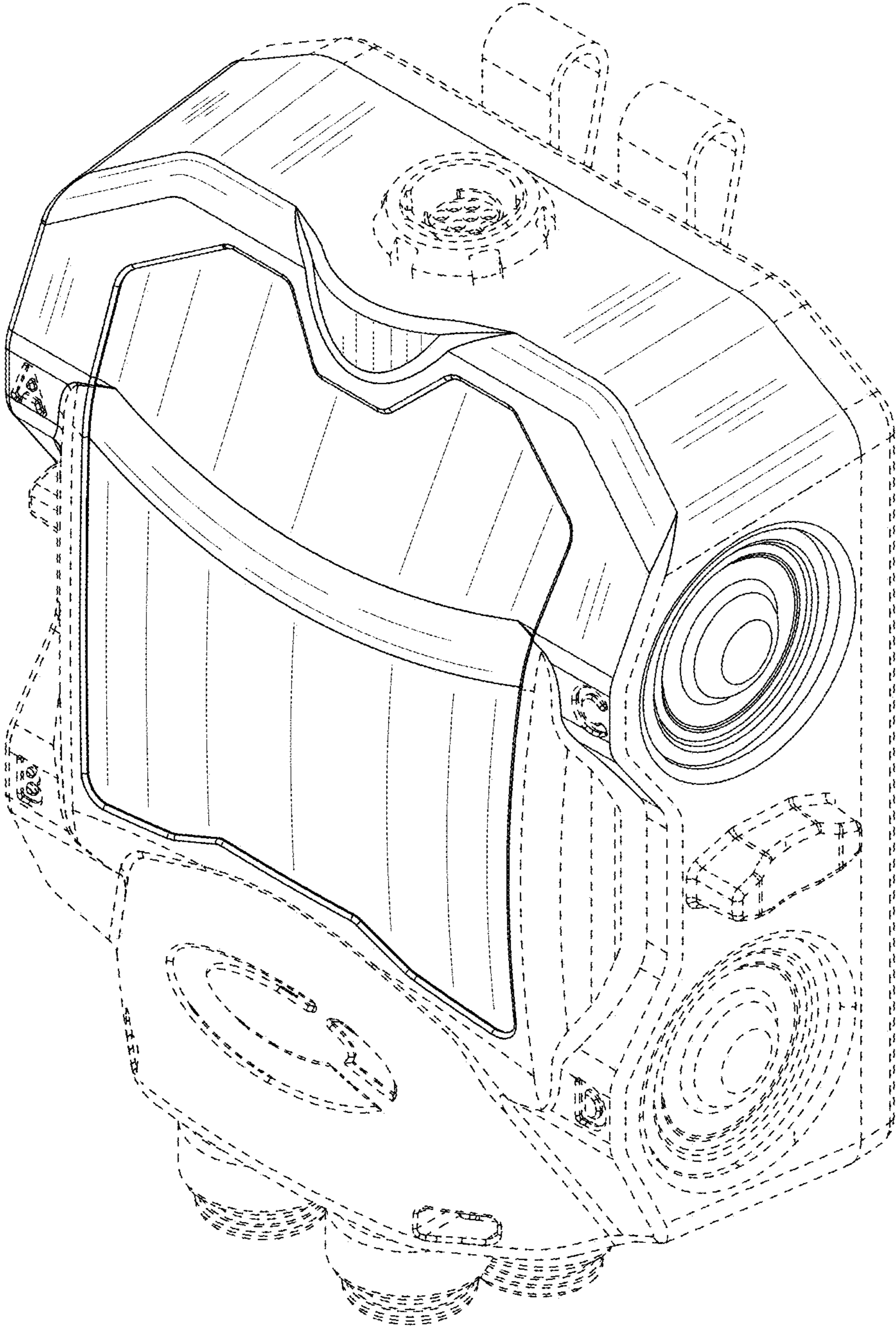


FIG. 1

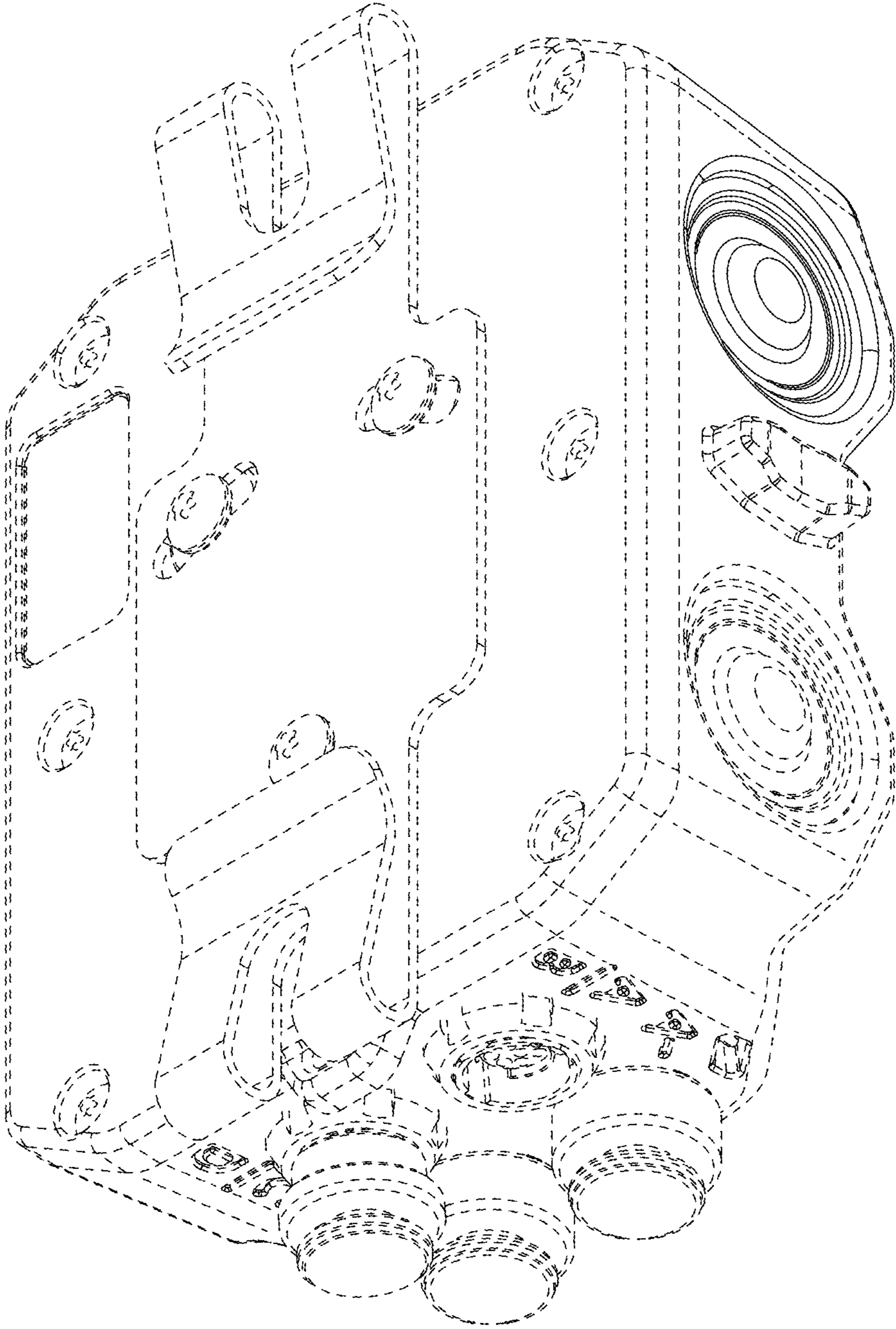


FIG. 2

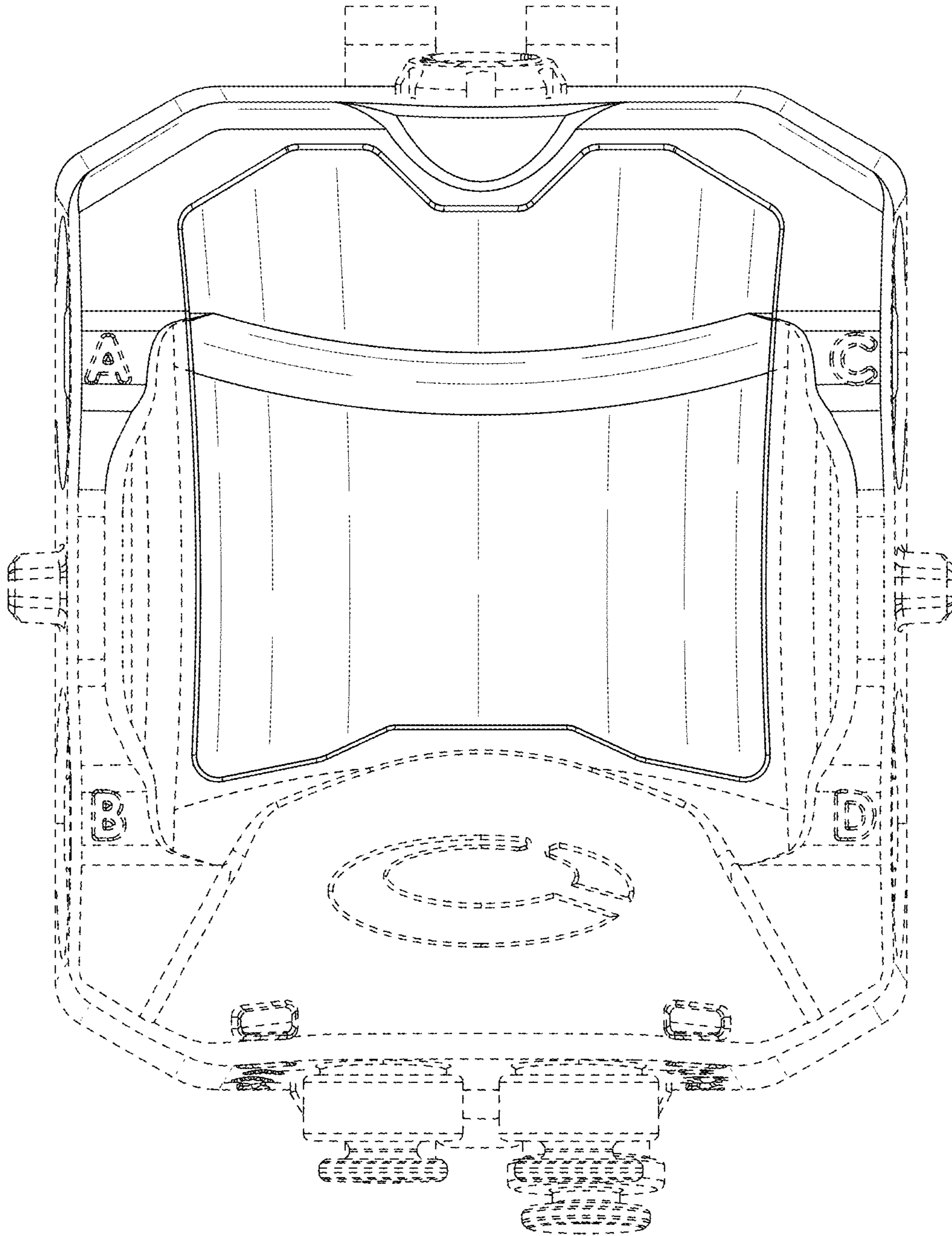


FIG. 3

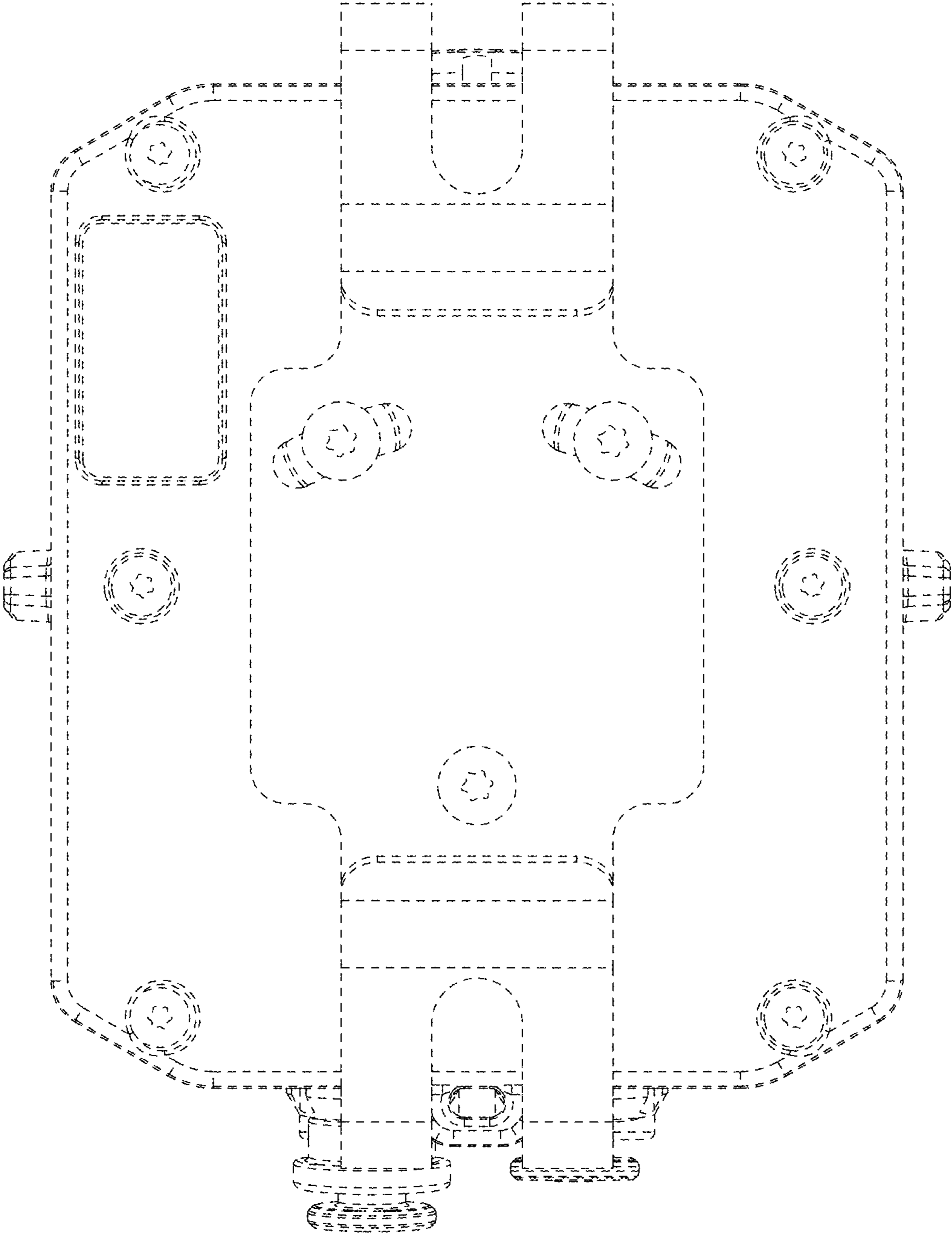


FIG. 4

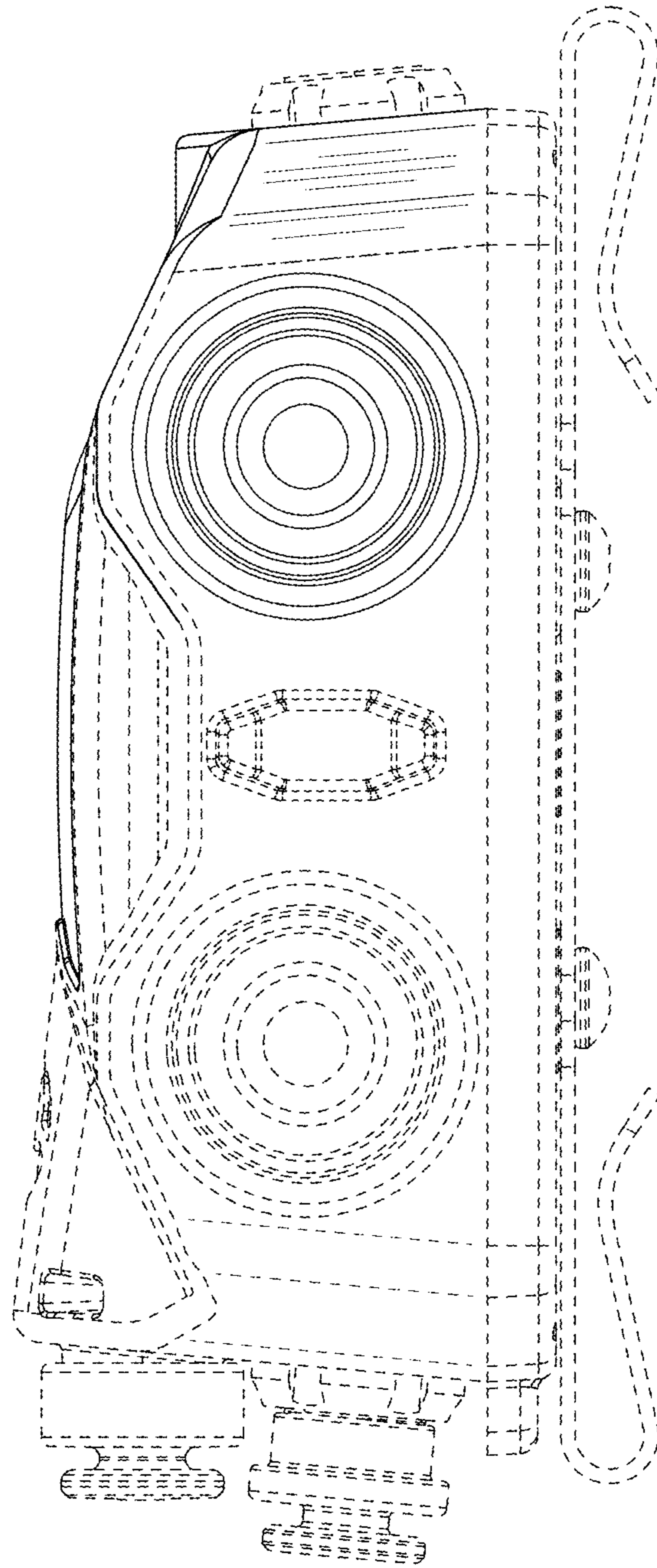


FIG. 5

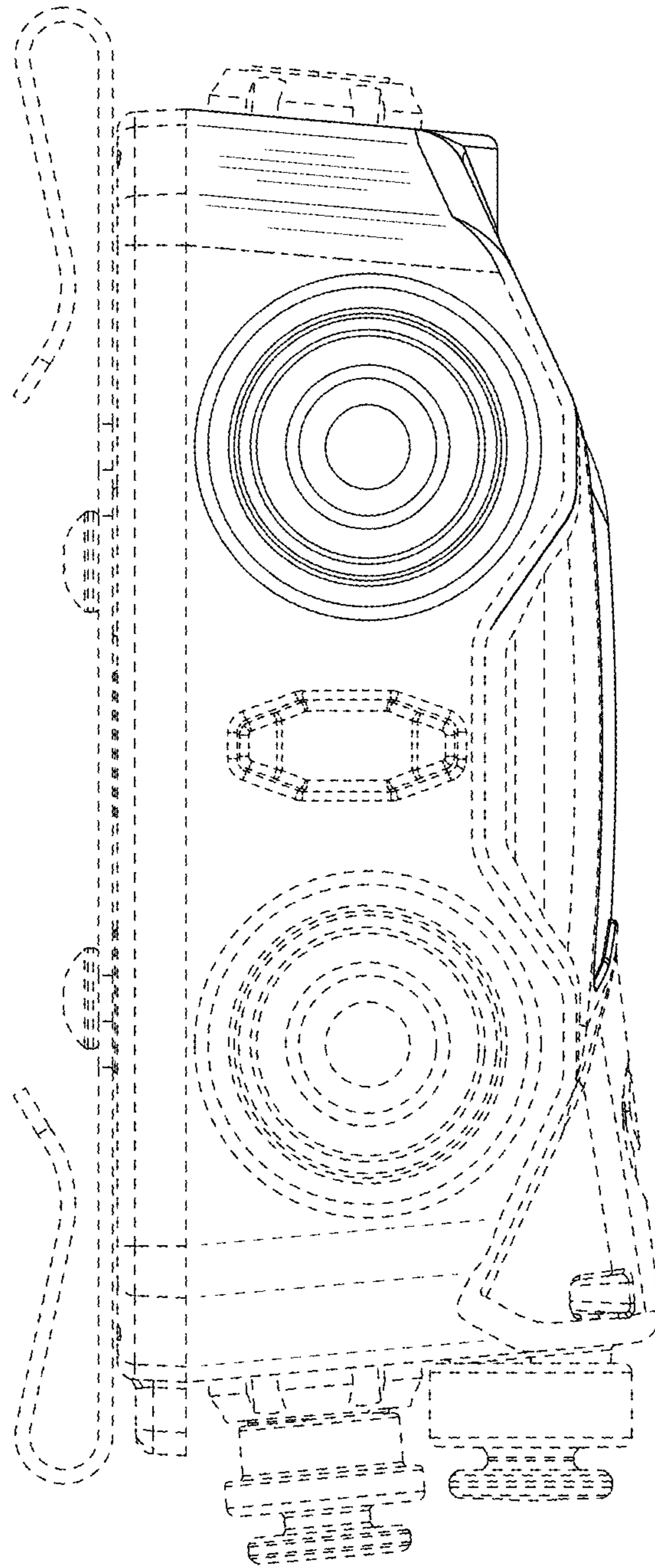


FIG. 6

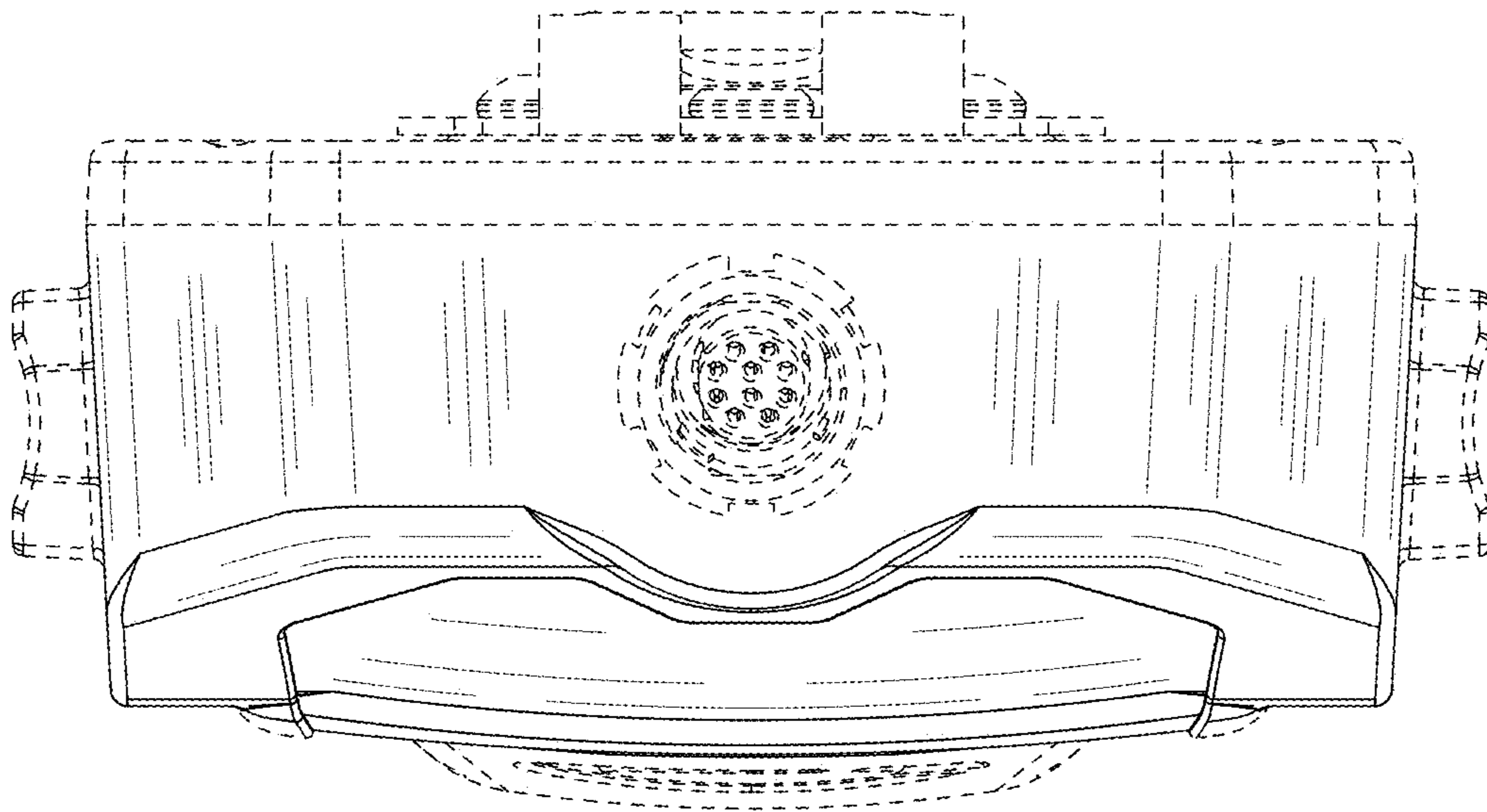


FIG. 7

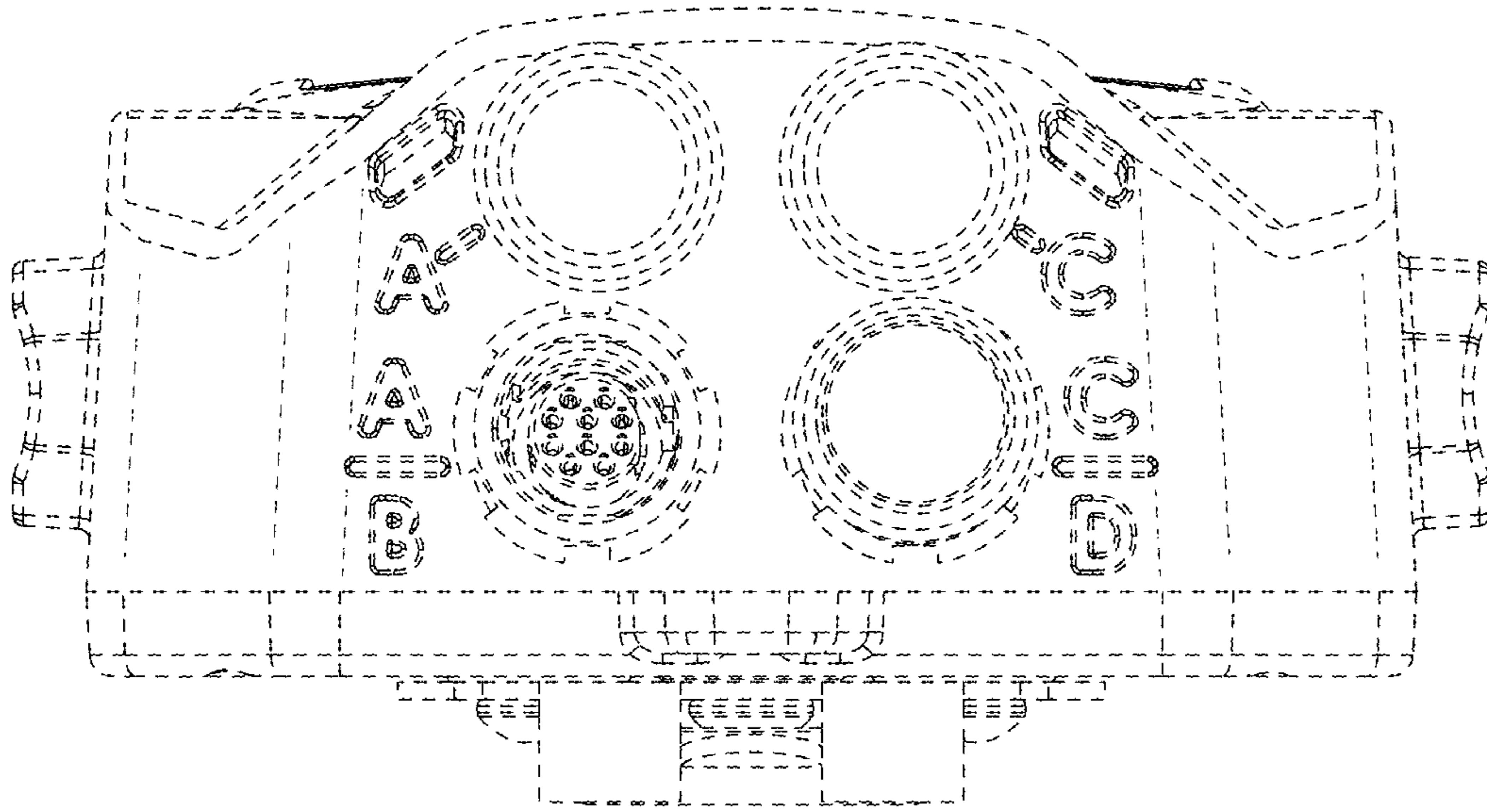


FIG. 8