

US00D986195S

(12) **United States Design Patent** (10) **Patent No.:** **US D986,195 S**  
**Chun et al.** (45) **Date of Patent:** **\*\* May 16, 2023**

(54) **TELEVISION RECEIVER**

FOREIGN PATENT DOCUMENTS

(71) Applicant: **SAMSUNG ELECTRONICS CO., LTD.**, Suwon-si (KR)

CN 303816264 S 8/2016  
CN 305210733 \* 6/2019

(Continued)

(72) Inventors: **Bumho Chun**, Suwon-si (KR);  
**Gyoosang Choi**, Suwon-si (KR)

OTHER PUBLICATIONS

(73) Assignee: **SAMSUNG ELECTRONICS CO., LTD.**, Gyeonggi-Do (KR)

VIVO Artistic Easel 49, posted May 23, 2019 [online], [retrieved Dec. 5, 2022]. Retrieved from internet, <https://www.amazon.com/VIVO-Artistic-Display-Adjustable-STAND-TV70A/dp/B07S972T3C> (Year: 2019).\*

(\*\*) Term: **15 Years**

*Primary Examiner* — Marie D. Fast Horse

(21) Appl. No.: **29/785,322**

*Assistant Examiner* — Josiah D. Parsons

(22) Filed: **May 25, 2021**

(74) *Attorney, Agent, or Firm* — Cantor Colburn LLP

(30) **Foreign Application Priority Data**

(57) **CLAIM**

Dec. 1, 2020 (KR) ..... 30-2020-0058802

The ornamental design for a television receiver, as shown and described.

(51) **LOC (14) Cl.** ..... **14-03**

**DESCRIPTION**

(52) **U.S. Cl.**

USPC ..... **D14/126**; D14/239

(58) **Field of Classification Search**

USPC ..... D6/310, 567; D14/125, 126, 239, 450, D14/451, 452, 336, 371, 374, 375, 376, D14/377, 209.1, 211, 224; D19/91

CPC .... A47B 2200/04; A47B 81/06; F16M 11/00; F16M 11/04; F16M 2200/00; F16M 2200/08; G06F 1/1601; H04N 5/64

See application file for complete search history.

(56) **References Cited**

U.S. PATENT DOCUMENTS

D757,667 S \* 5/2016 Yokota ..... D14/126  
D818,999 S \* 5/2018 Kim ..... D14/239  
D865,699 S \* 11/2019 Kim ..... D14/126  
D898,688 S \* 10/2020 Lee ..... D14/126  
D915,363 S \* 4/2021 Pei ..... D14/239  
D948,489 S \* 4/2022 van Til ..... D14/239

(Continued)

FIG. 1 is a front perspective view of a television receiver, showing our new design;

FIG. 2 is a front view thereof;

FIG. 3 is a rear view thereof;

FIG. 4 is a left-side view thereof;

FIG. 5 is a right-side view thereof;

FIG. 6 is a top view thereof;

FIG. 7 is a bottom view thereof;

FIG. 8 is a rear perspective view thereof;

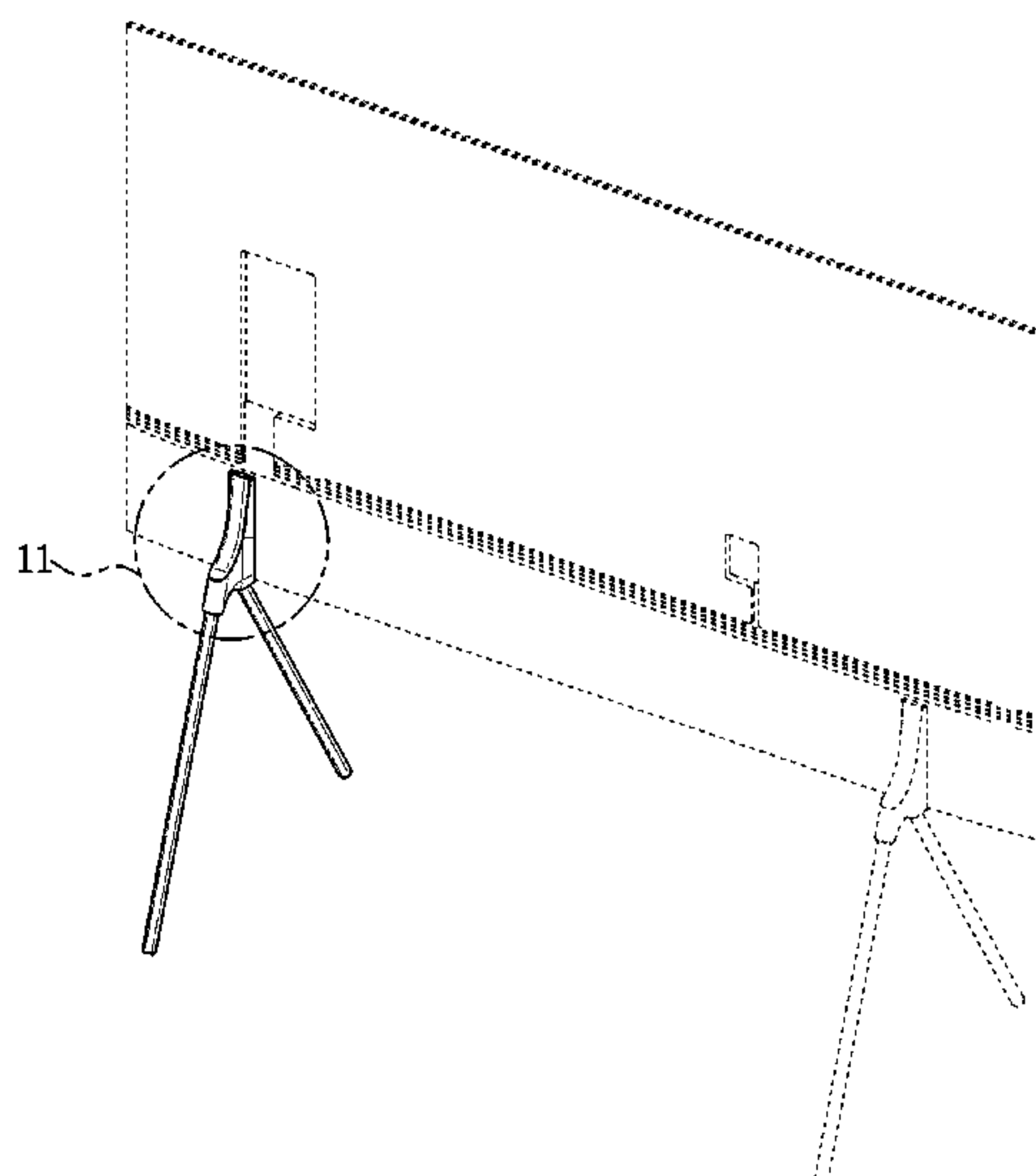
FIG. 9 is an enlarged view of the encircled portion 9 in FIG. 5;

FIG. 10 is an enlarged view of the encircled portion 10 in FIG. 7; and,

FIG. 11 is an enlarged view of the encircled portion 11 in FIG. 8.

The even-dash broken lines illustrating portions of the television receiver form no part of the claimed design. The dot-dot-dash broken lines encircling enlargement portions of the claimed design form no part of the claimed design.

**1 Claim, 11 Drawing Sheets**



(56)

**References Cited**

U.S. PATENT DOCUMENTS

D952,619 S \* 5/2022 Kim ..... D14/239  
2022/0065390 A1\* 3/2022 You ..... F16M 11/22

FOREIGN PATENT DOCUMENTS

EM 004372001-0003 9/2017  
GB 9001750845-0007 \* 9/2010  
KR 300839392 S 2/2016  
KR 300960560 S 6/2018  
KR 300960569 S 6/2018  
KR 2451486 B1 \* 10/2022  
WO WOD217924-001 \* 7/2022

\* cited by examiner

FIG. 1

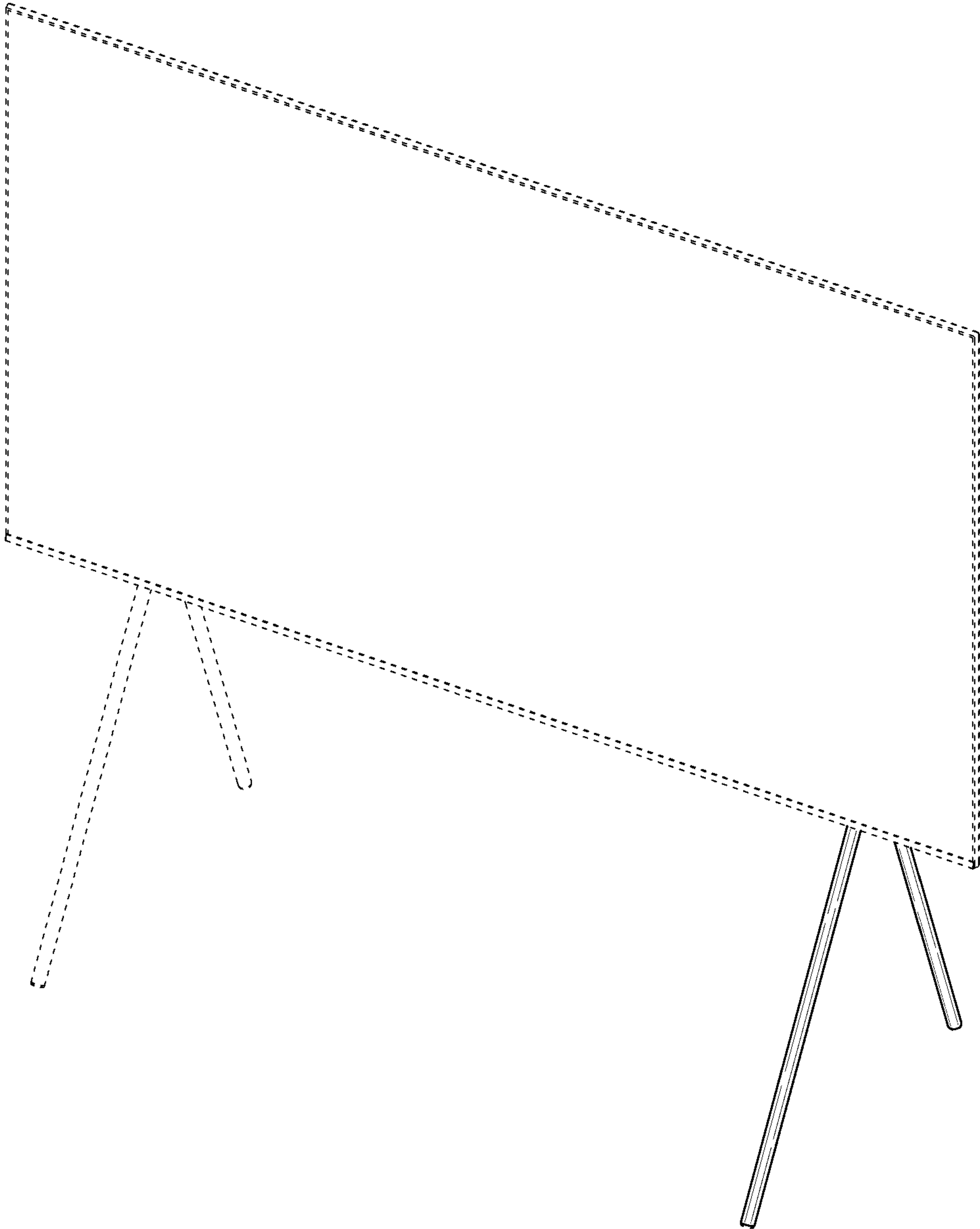


FIG. 2



FIG. 3

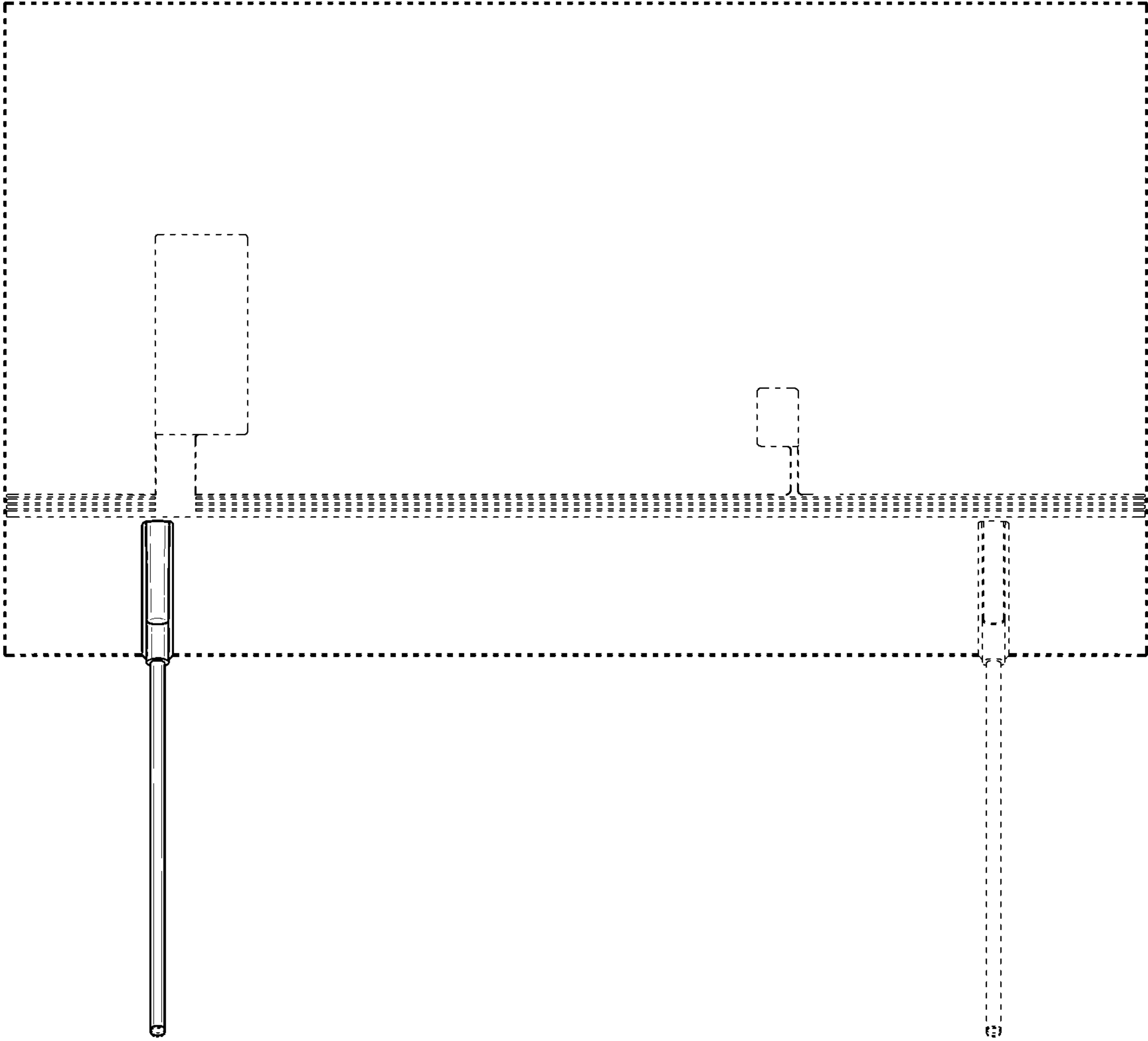


FIG. 4

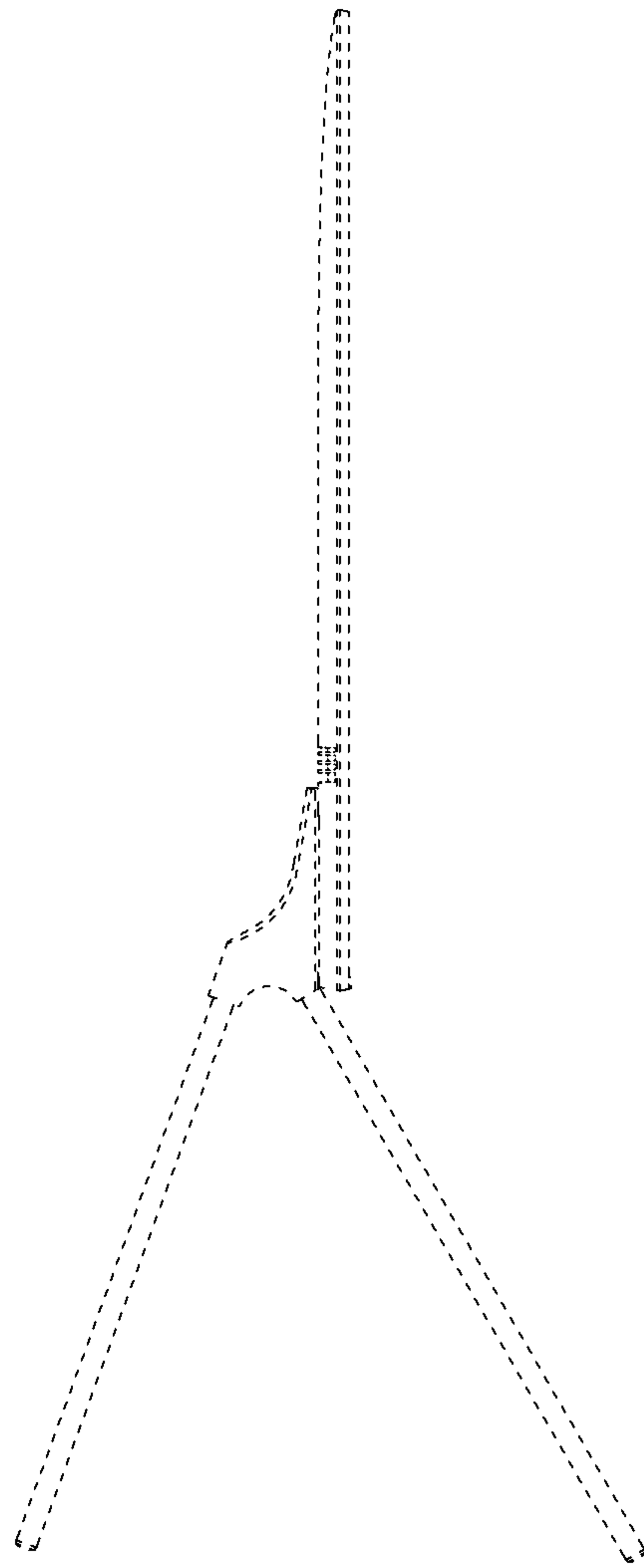


FIG. 5

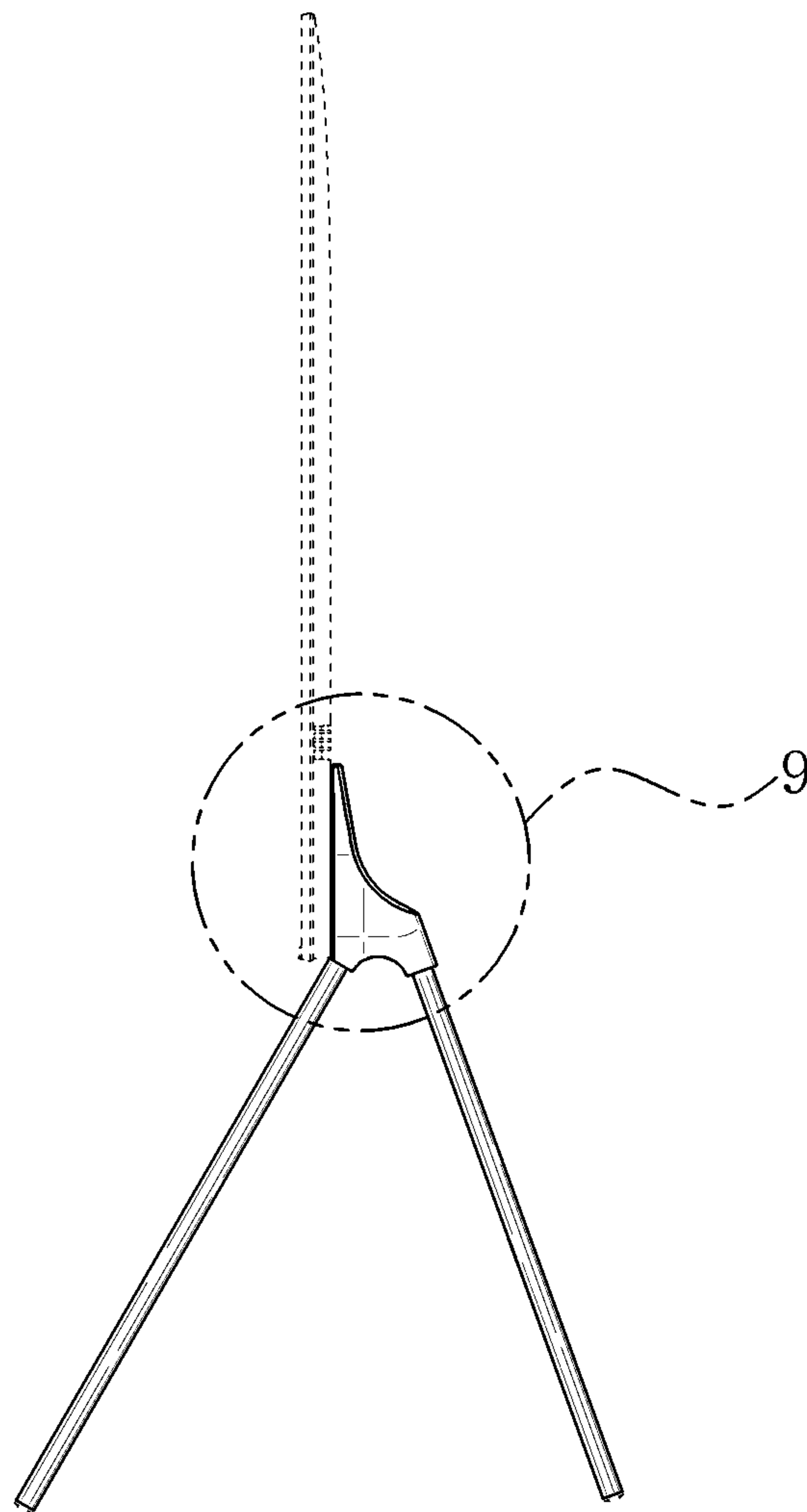


FIG. 6

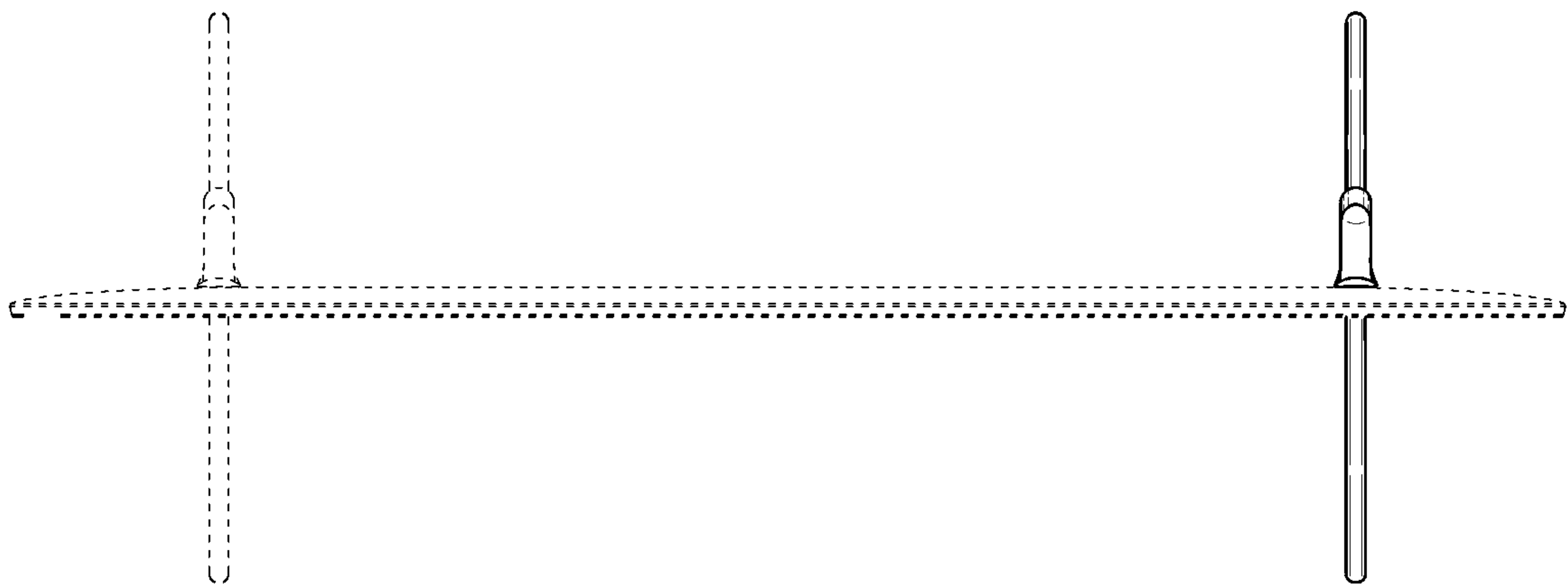




FIG. 7

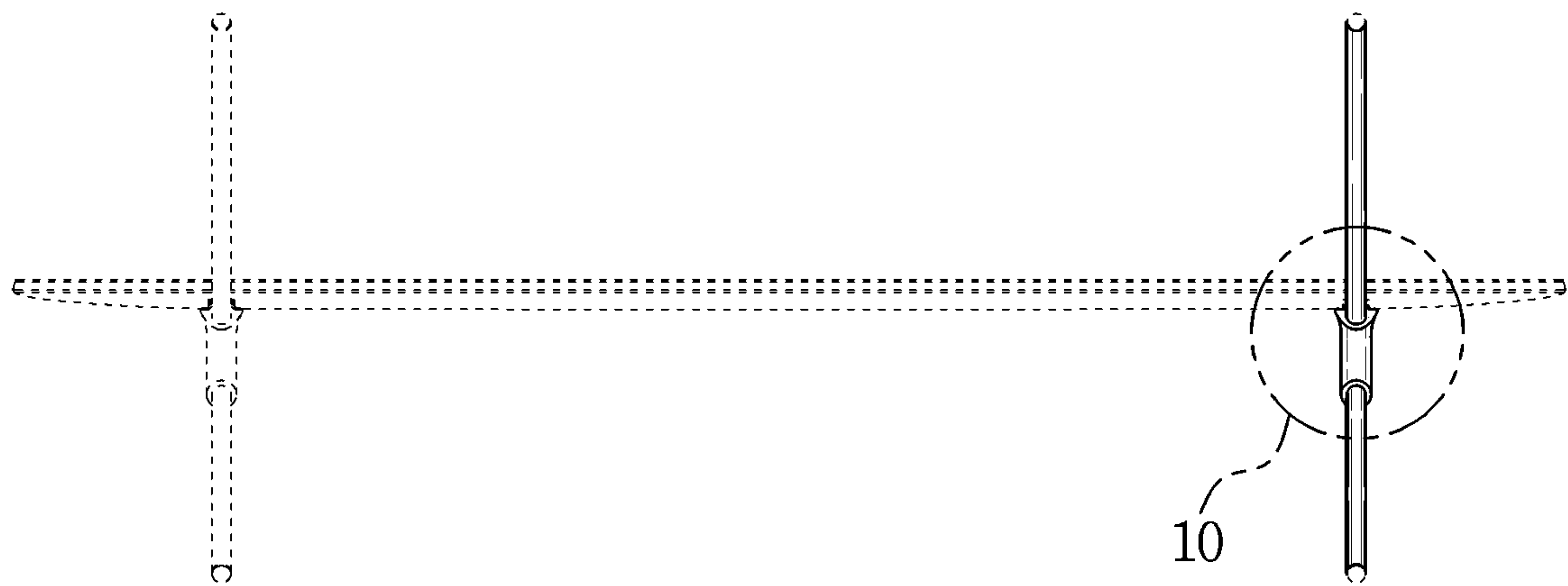


FIG. 8

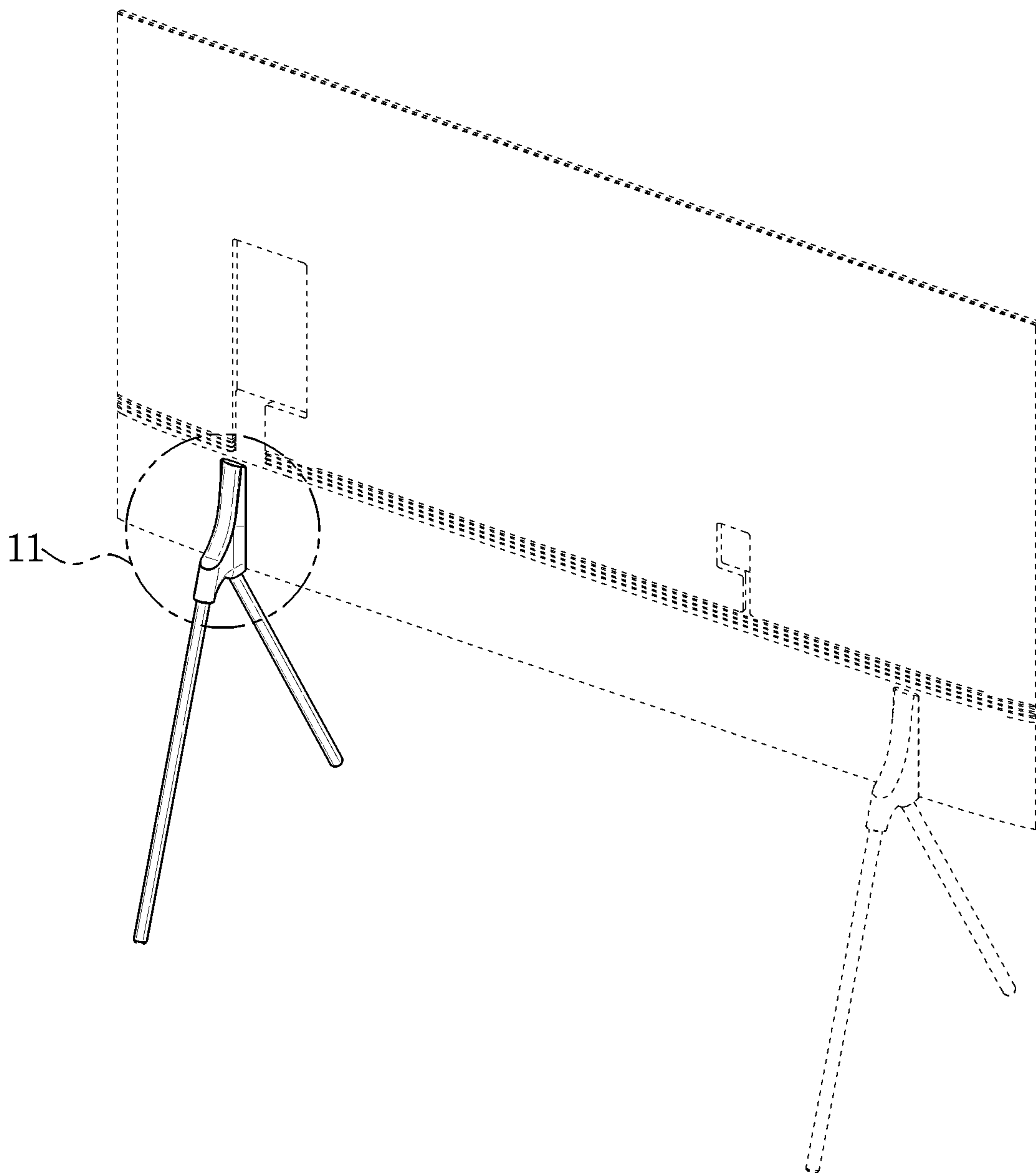


FIG. 9

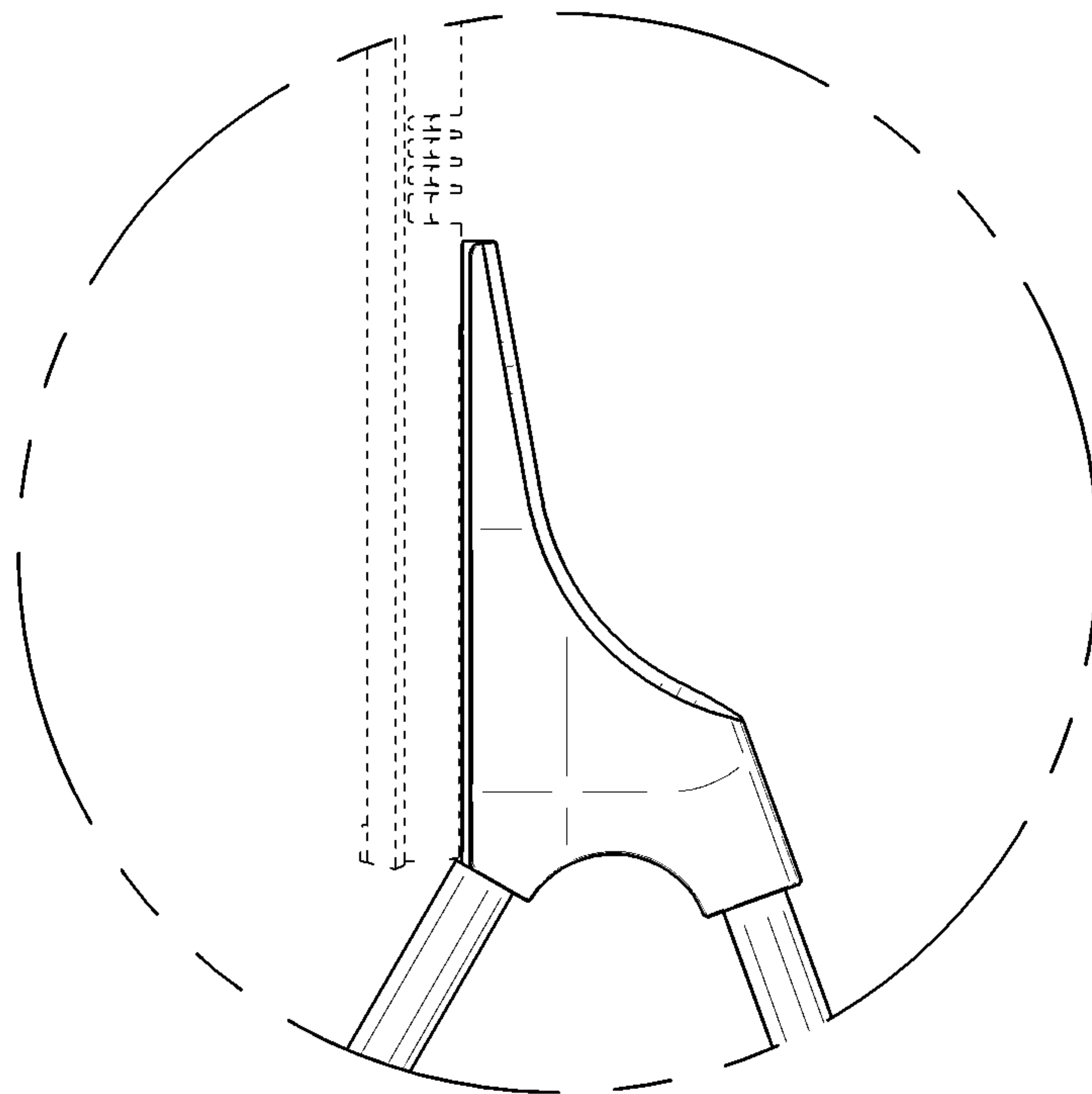


FIG. 10

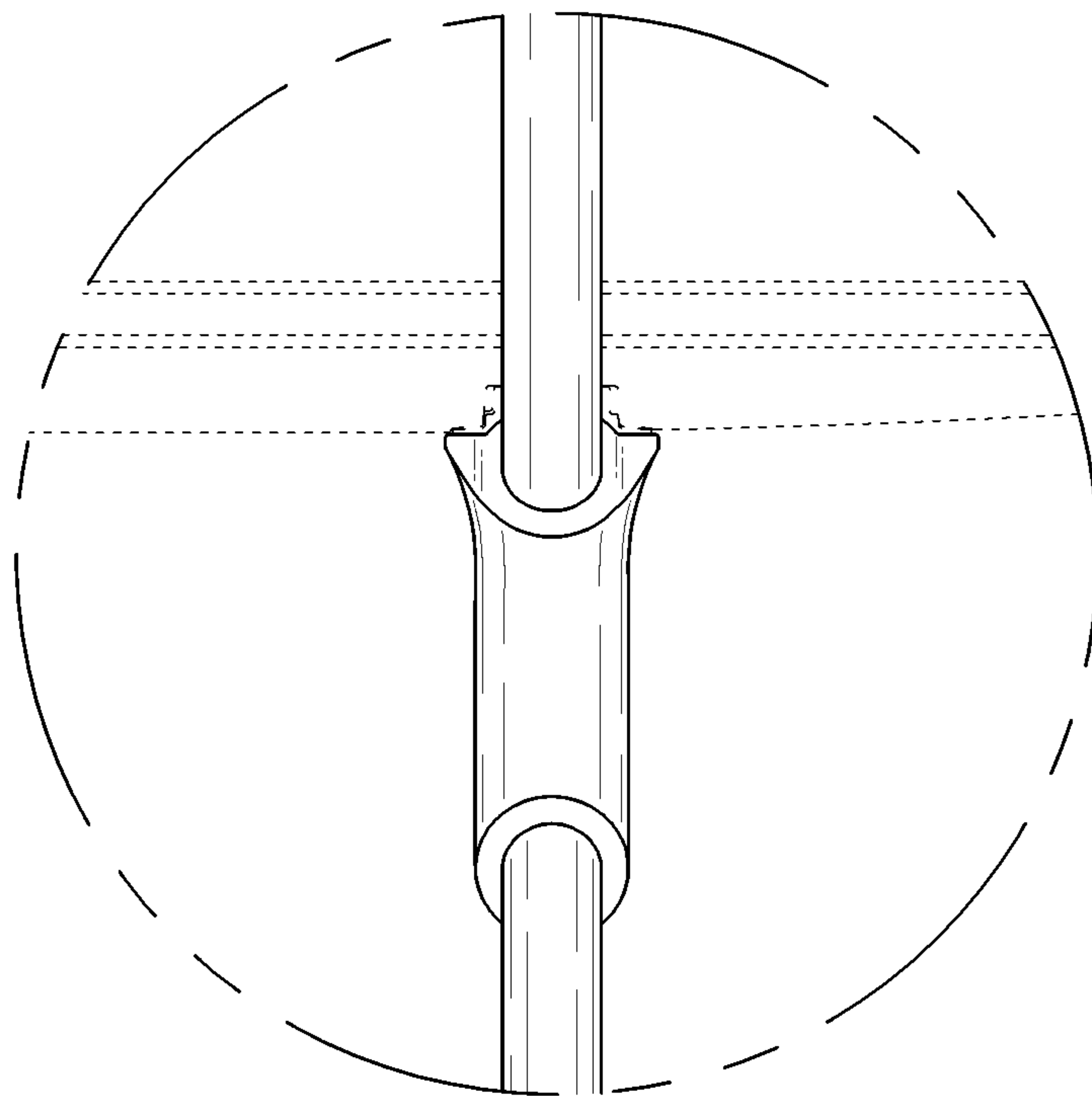


FIG. 11

