

US00D986194S

(12) **United States Design Patent** (10) **Patent No.:** **US D986,194 S**
Huang (45) **Date of Patent:** **** May 16, 2023**

(54) **INFLATABLE SCREEN**

FOREIGN PATENT DOCUMENTS

(71) Applicant: **Union Sport Limited**, Kowloon (HK)
(72) Inventor: **Bo Huang**, Hefei (CN)
(73) Assignee: **Union Sport Limited**, Kowloon (HK)

CN 305928942 * 7/2020
CN 306019169 * 8/2020
JP D1478463 * 9/2013
JP D1607833 * 7/2018
JP D1674443 * 12/2020

(**) Term: **15 Years**

OTHER PUBLICATIONS

(21) Appl. No.: **29/748,585**

Oxford Outdoor Backyard Inflatable Screen, date not known [online] retrieved Nov. 16, 2022, retrieved from the internet URL: < https://www.homedepot.com/p/144-in-x-192-in-20-ft-Oxford-Outdoor-Backyard-Inflatable-Mega-Movie-Cinema-Screen-Projector-with-Blower-Included-95179-H/319758494? > (Year: 2022).*

(22) Filed: **Aug. 31, 2020**

Vevor Inflatable Screen, date not known [online] retrieved Nov. 16, 2022, retrieved from the internet URL: < https://www.vevor.com/inflatable-projection-screen-c_10893/inflatable-projector-screen-16-foot-movie-theater-screen-blower-complete-set-p_010942986522? > (Year: 2022).*

(30) **Foreign Application Priority Data**

Jul. 13, 2020 (CN) 202030375532.X

(51) **LOC (14) Cl.** **16-05**

(52) **U.S. Cl.**
USPC **D16/241**

(58) **Field of Classification Search**
USPC D14/126, 128, 129, 496, 451; D6/308, D6/310, 332; D16/241, 221, 228; D21/835, 699

CPC .. A47G 1/141; A47G 5/02; G09F 1/12; G09F 1/00; G09F 2007/1843; G09F 2013/1881; H04B 10/25751; H04B 1/06

See application file for complete search history.

* cited by examiner

Primary Examiner — Janice Hallmark
Assistant Examiner — Rodolfo Castro, Jr.
(74) *Attorney, Agent, or Firm* — Bay State IP, LLC

(56) **References Cited**

U.S. PATENT DOCUMENTS

D219,408 S * 12/1970 Frish D16/241
D543,229 S * 5/2007 Hochendoner D16/241
7,490,426 B2 * 2/2009 Scarberry G09F 15/0025
116/63 P
D593,591 S * 6/2009 Hochendoner D16/241
7,920,326 B2 * 4/2011 Clawson G03B 21/585
359/450
8,254,024 B2 * 8/2012 Giammarinaro, Jr.
G03B 21/585
359/450
D975,169 S * 1/2023 Yu D16/241

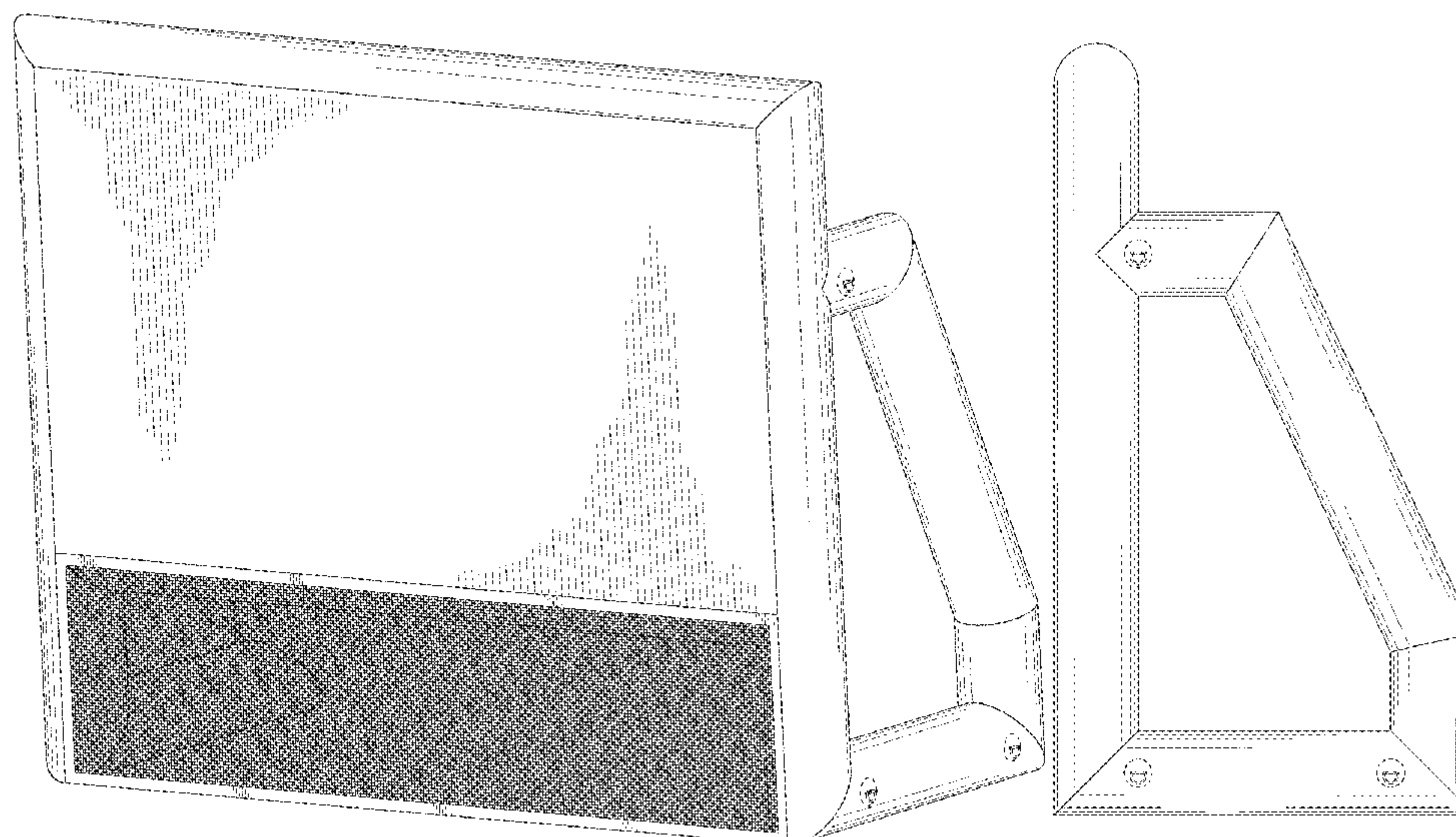
(57) **CLAIM**

The ornamental design for an inflatable screen, as shown and described.

DESCRIPTION

FIG. 1 is a perspective view showing my new design;
FIG. 2 is a front view thereof;
FIG. 3 is a back view thereof;
FIG. 4 is a right side view thereof;
FIG. 5 is a left side view thereof;
FIG. 6 is a top view thereof; and,
FIG. 7 is a bottom view thereof.
The broken lines illustrate portions of the inflatable screen that form no part of the claimed design.

1 Claim, 7 Drawing Sheets



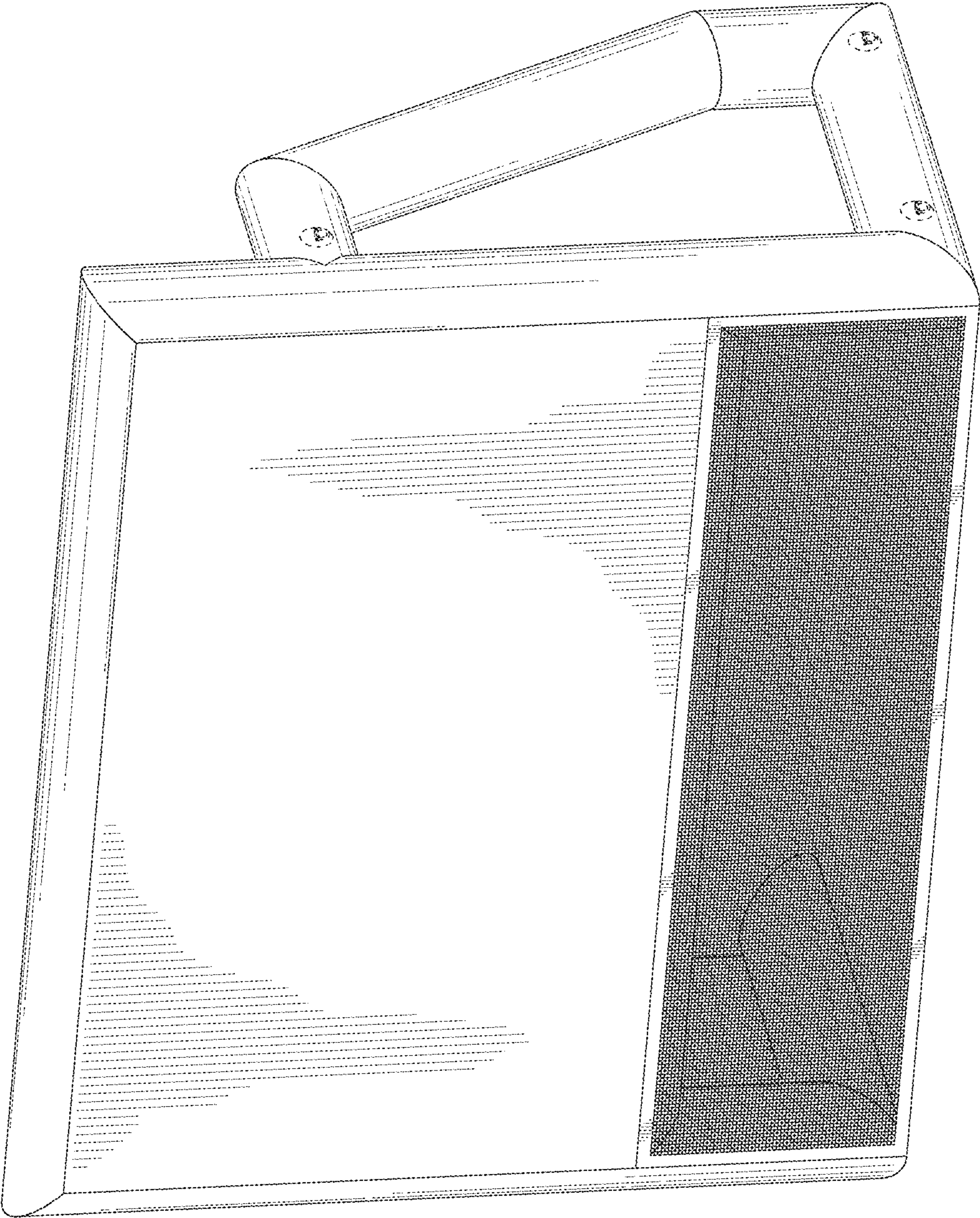


FIG.1

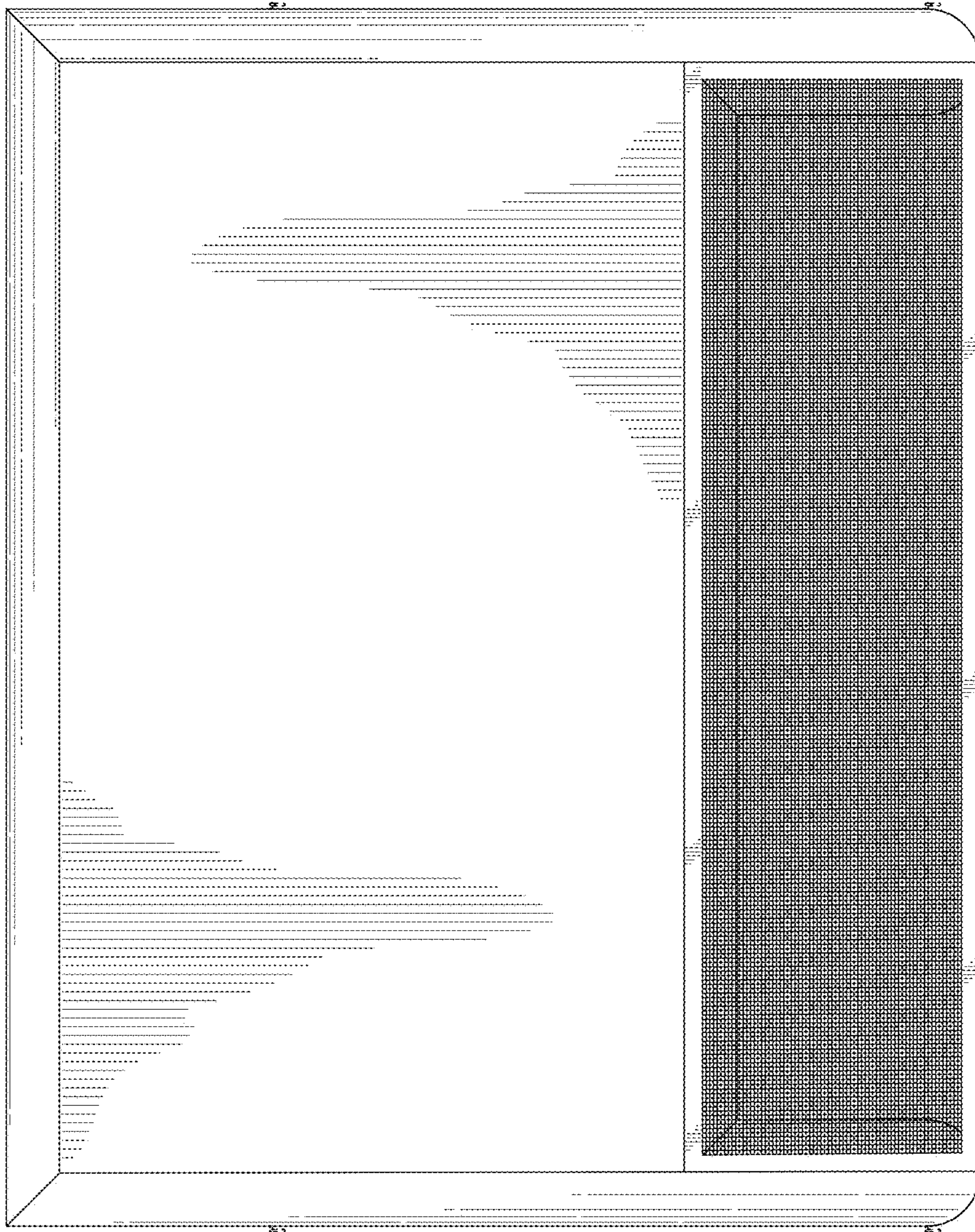


FIG.2

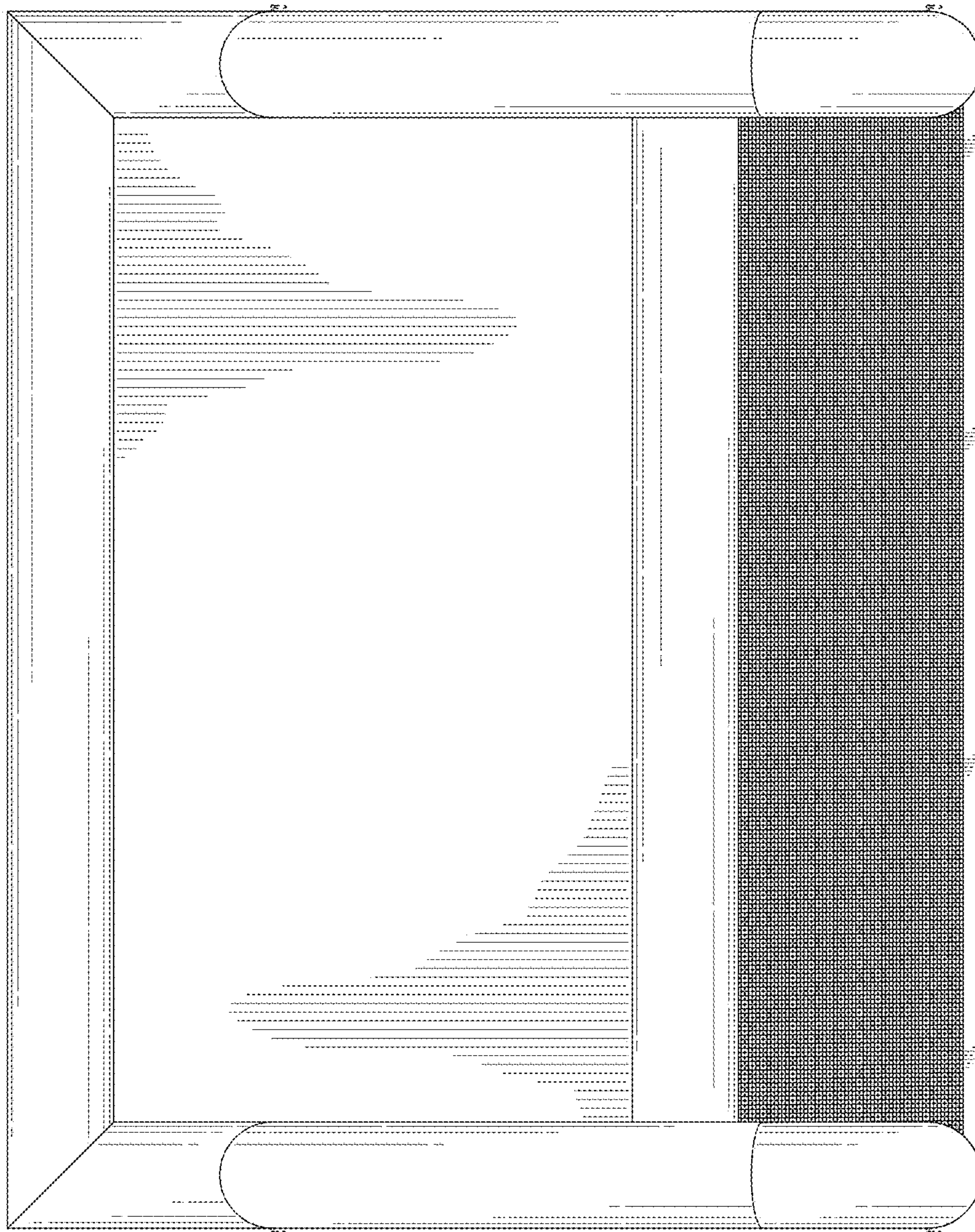


FIG.3

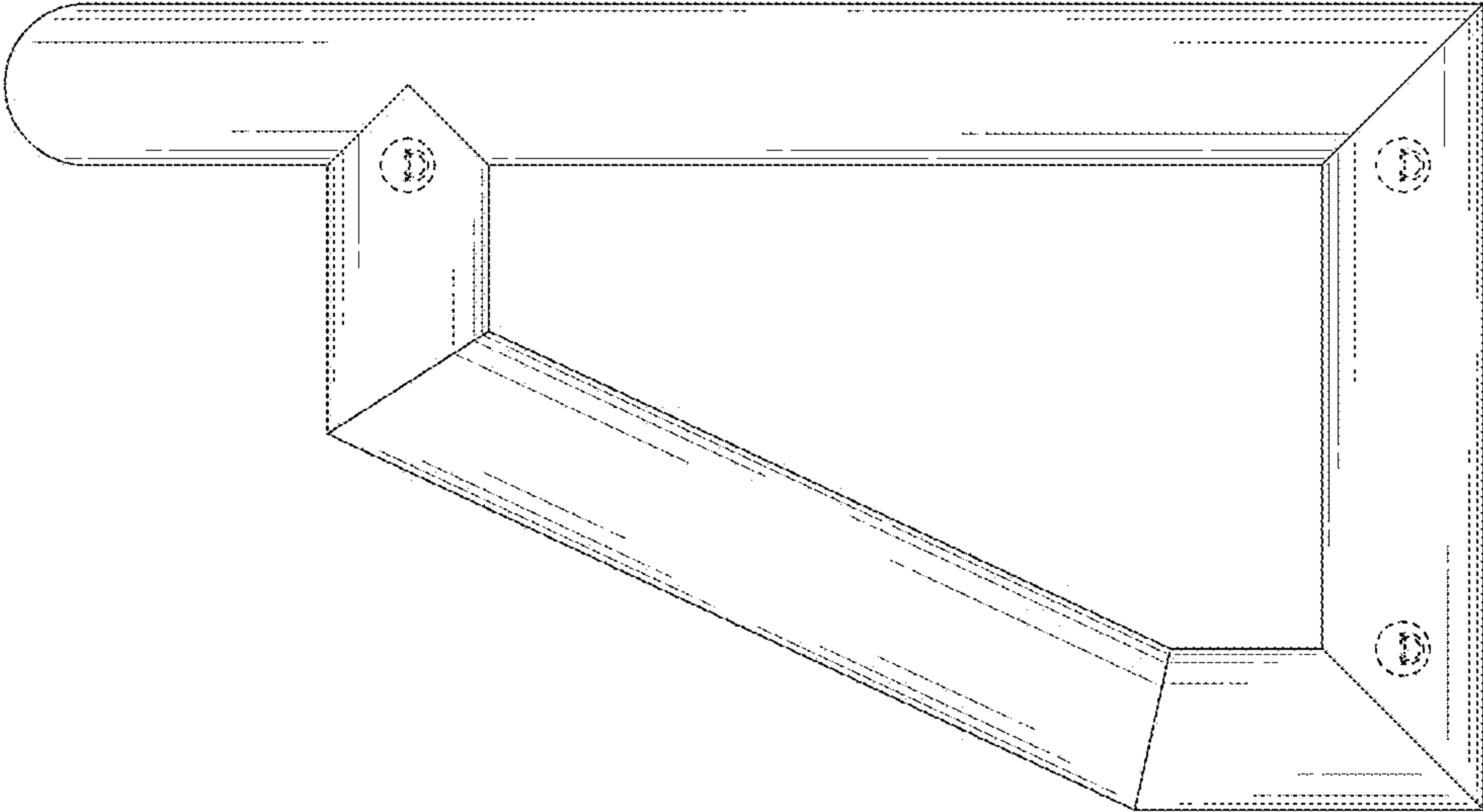


FIG.4

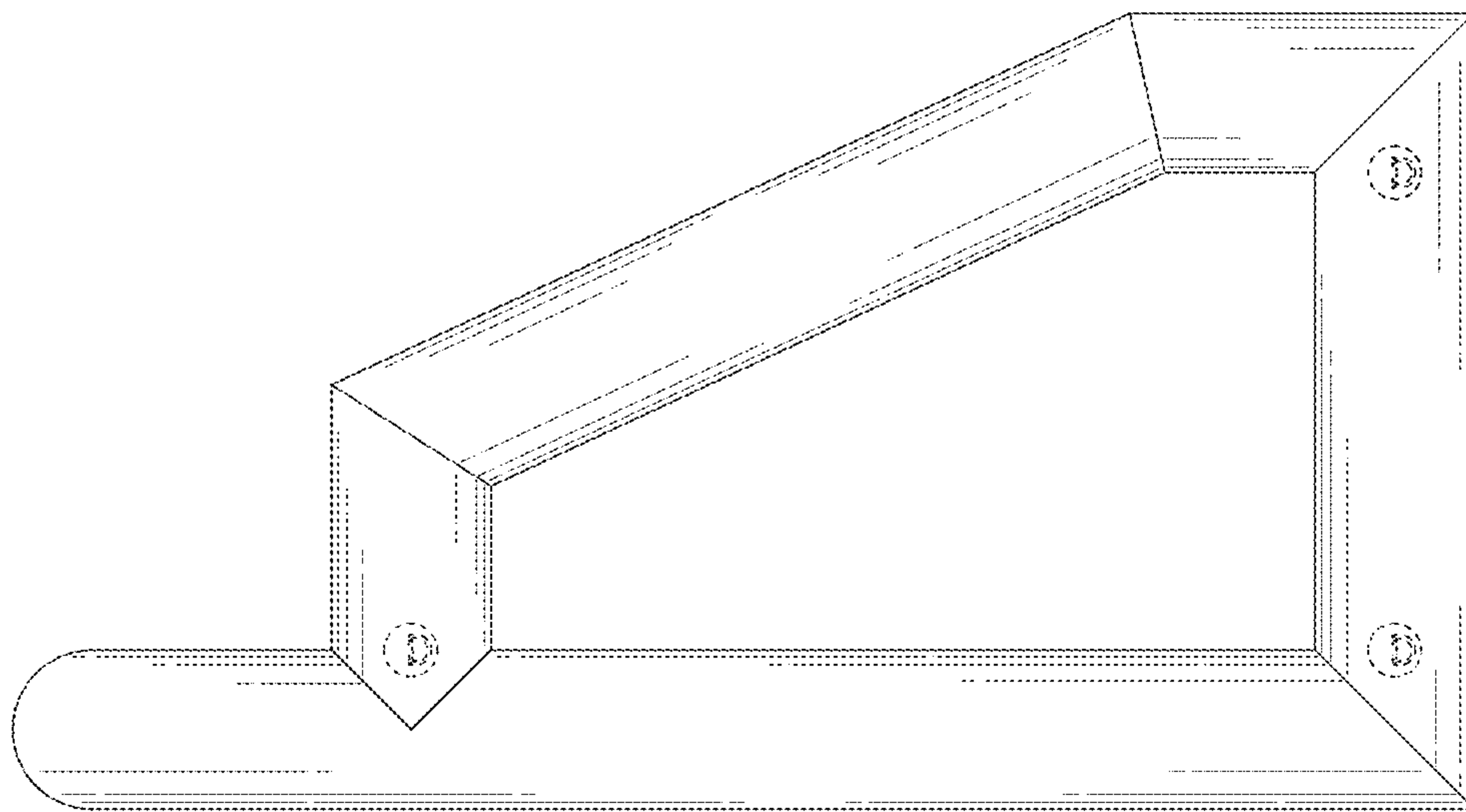


FIG.5

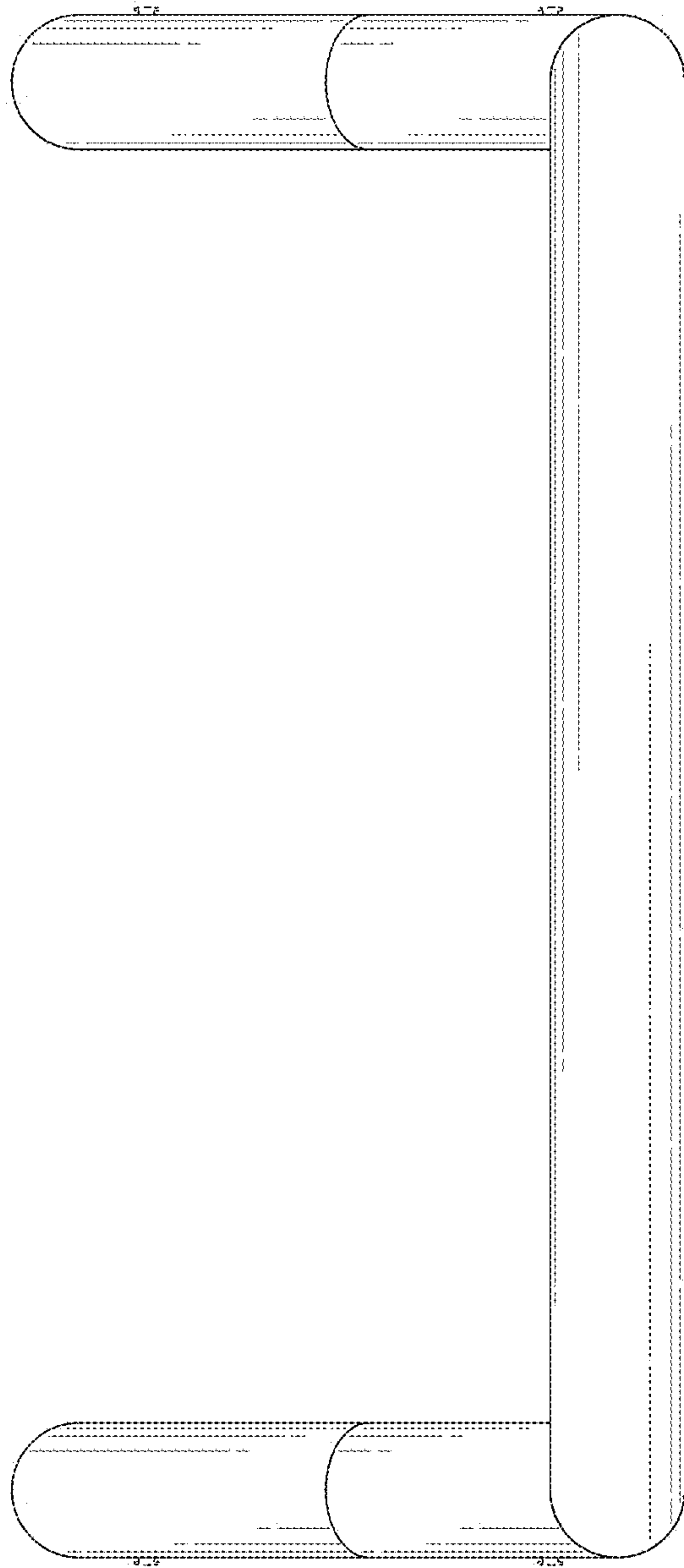


FIG.6

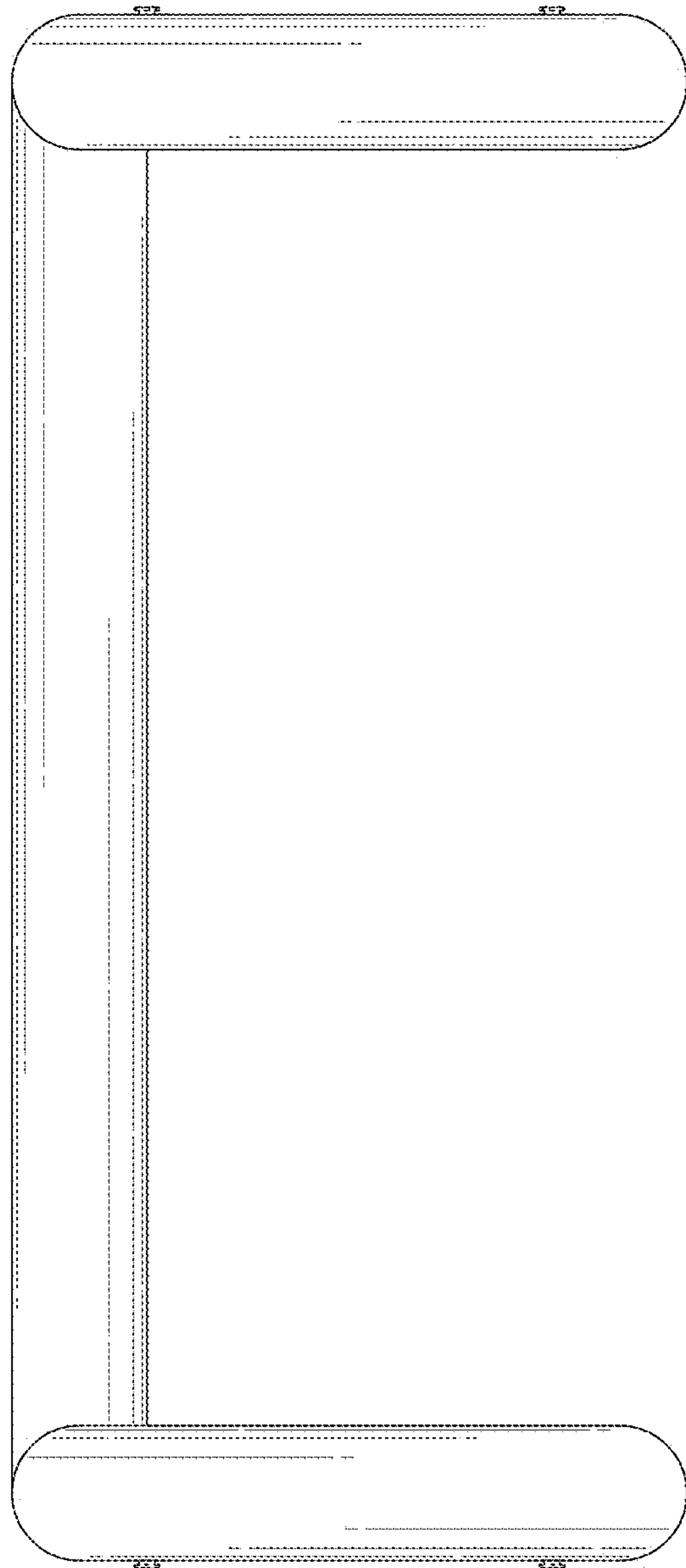


FIG. 7