



US00D986193S

(12) **United States Design Patent** (10) **Patent No.:** **US D986,193 S**
Enomoto (45) **Date of Patent:** **** May 16, 2023**

(54) **COIN DEPOSITING AND DISPENSING APPARATUS**

(71) Applicant: **ASAHI SEIKO CO., LTD.**, Tokyo (JP)

(72) Inventor: **Minoru Enomoto**, Saitama (JP)

(73) Assignee: **ASAHI SEIKO CO., LTD.**, Tokyo (JP)

(**) Term: **15 Years**

(21) Appl. No.: **29/740,627**

(22) Filed: **Jul. 6, 2020**

(30) **Foreign Application Priority Data**

Jan. 7, 2020 (JP) 2020-000113

(51) **LOC (14) Cl.** **18-01**

(52) **U.S. Cl.**
USPC **D18/3.1; D99/34**

(58) **Field of Classification Search**
USPC .. D14/125, 126, 129, 130, 138 G, 496, 137, D14/138 AA, 140.11, 147, 203.1, 203.3, D14/203.4, 203.7, 218, 248, 388, 389; D10/104.1, 47, 50, 65, 75, 78, 74, 83, D10/114.9; D15/199; D18/3.1, 4.4-4.6, D18/6, 7; D20/1, 9, 99; D21/324, 329, D21/330, 332; D24/186; D16/206, 226, D16/241
CPC G06Q 20/00; G06Q 20/08; G06Q 20/20; G06Q 30/0238; G06Q 30/0268; G07G 1/00; G07G 1/12; G07G 1/14; G07G 1/0009; G07G 1/0018; A63H 33/3016; A45F

(Continued)

(56) **References Cited**

U.S. PATENT DOCUMENTS

D523,468 S * 6/2006 Umeda D18/3.1
D540,391 S * 4/2007 Irie D20/9
D724,813 S * 3/2015 Umeda D99/34

(Continued)

FOREIGN PATENT DOCUMENTS

CN 301457646 * 2/2011
JP D1257312 * 12/2005

(Continued)

OTHER PUBLICATIONS

CR 6300, date not known [online], retrieved Nov. 1, 2022, retrieved from the internet: < <https://www.asahiseikousa.com/products/cr-6300/> > (Year: 2022).*

(Continued)

Primary Examiner — Janice Hallmark

Assistant Examiner — Rodolfo Castro, Jr.

(74) *Attorney, Agent, or Firm* — Sughrue Mion, PLLC

(57) **CLAIM**

The ornamental design for a coin depositing and dispensing apparatus, as shown and described.

DESCRIPTION

FIG. 1 is a perspective view of the front, top and right side of a coin depositing and dispensing apparatus showing our new design;

FIG. 2 is a perspective view of the front, top and left side thereof;

FIG. 3 is a front view thereof;

FIG. 4 is a rear view thereof;

FIG. 5 is a left side view thereof;

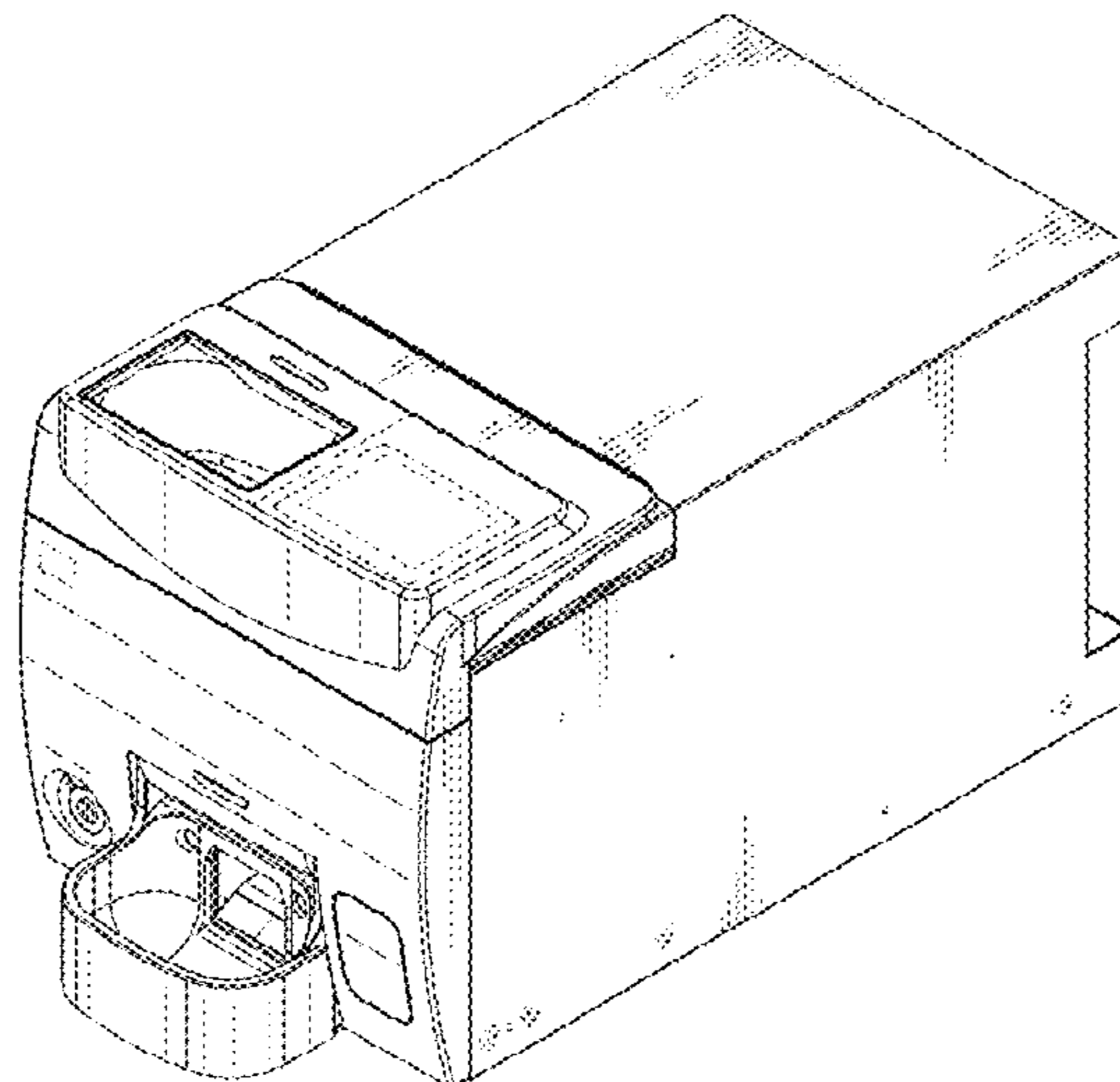
FIG. 6 is a right side view thereof;

FIG. 7 is a top plan view thereof; and,

FIG. 8 is a bottom view thereof.

The broken lines illustrate portions of the coin depositing and dispensing apparatus that form no part of the claimed design.

1 Claim, 8 Drawing Sheets



(58) **Field of Classification Search**

CPC 2005/1006; A45F 2200/0516; A45F
2200/0525; A45C 2011/002

See application file for complete search history.

(56) **References Cited**

U.S. PATENT DOCUMENTS

D774,205 S * 12/2016 Grace D24/169
D810,189 S * 2/2018 Enomoto D18/3.1
D864,410 S * 10/2019 Ota D24/216
D878,456 S * 3/2020 Frank G07D 3/00
D18/3.1
D879,873 S * 3/2020 Takahashi D18/3.1
D915,503 S * 4/2021 Umeda D18/3.1
D923,094 S * 6/2021 Adams D20/1
2003/0201146 A1 * 10/2003 Abe G07D 1/02
194/302
2009/0071793 A1 * 3/2009 Nagase G07D 9/02
194/215
2020/0258343 A1 * 8/2020 Forutanpour H04N 5/2253

FOREIGN PATENT DOCUMENTS

JP D1389369 * 6/2010
TW 185451-0001 * 9/2017

OTHER PUBLICATIONS

CR-6300/CR-8300 Series Coin Recyclers, May 26, 2022 [online],
retrieved Nov. 1, 2022, retrieved from the internet: < <https://www.youtube.com/watch?v=Nd7HQpwLD28> > (Year: 2022).*

* cited by examiner

FIG. 1

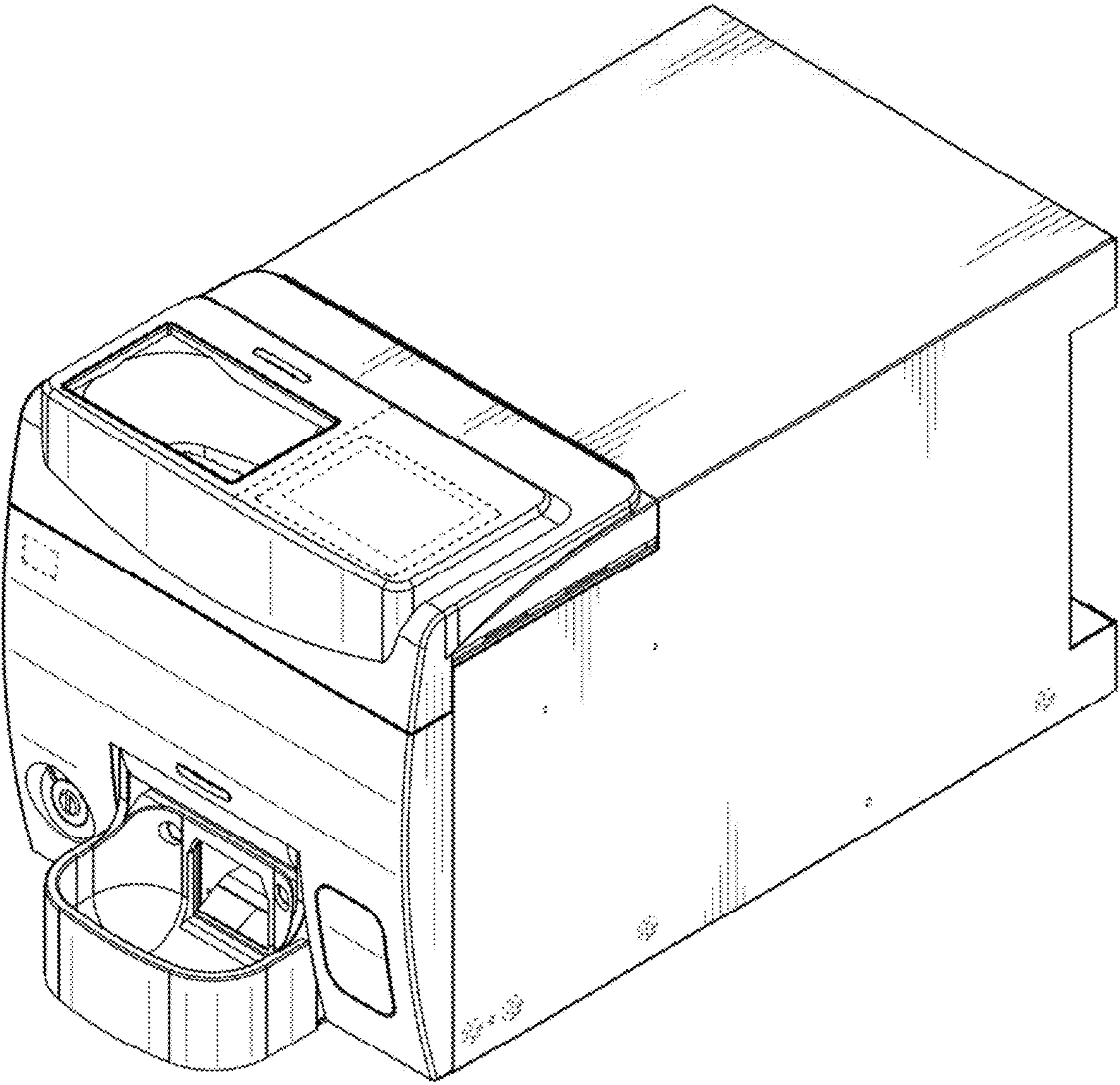


FIG. 2

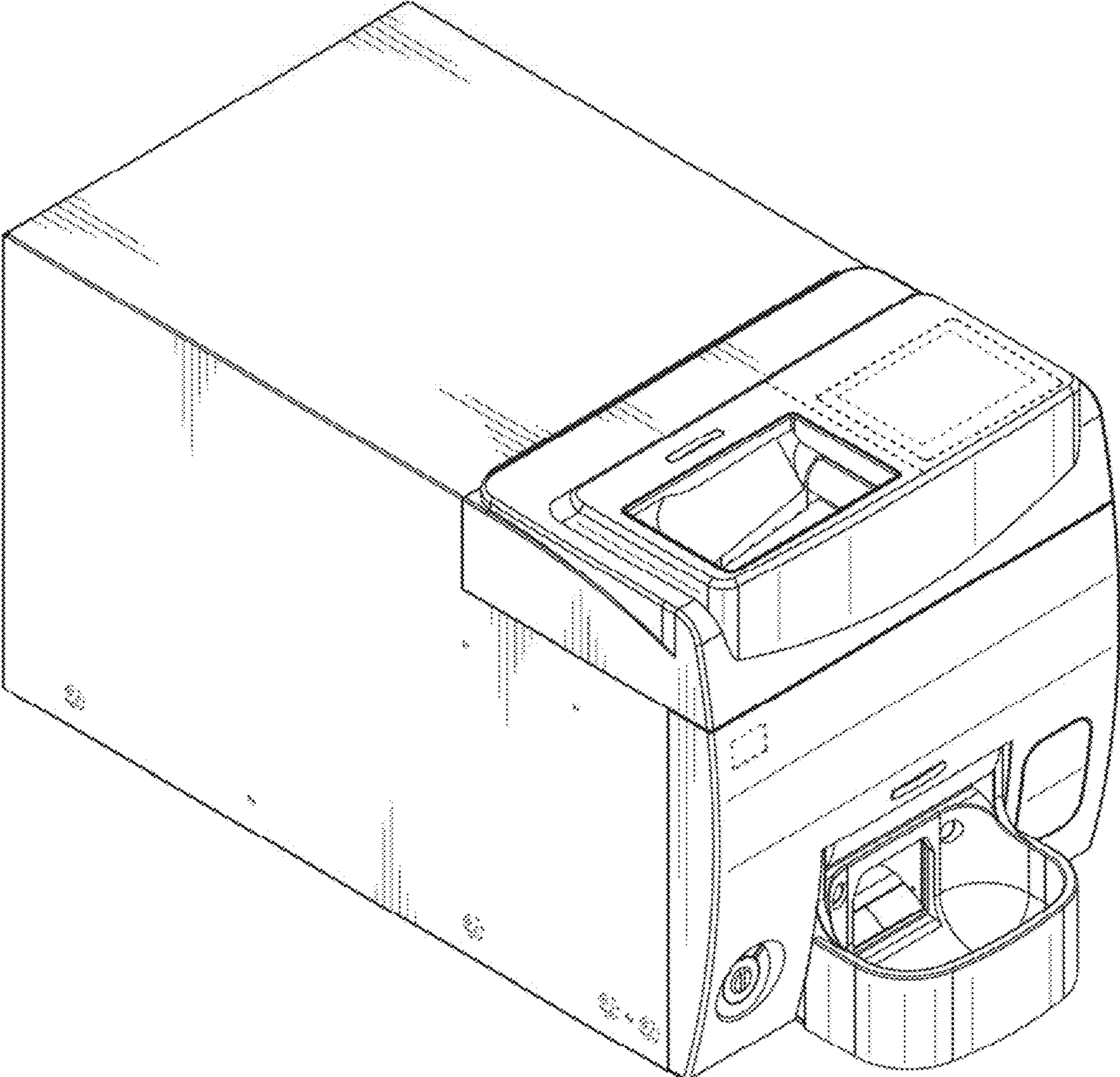


FIG. 3

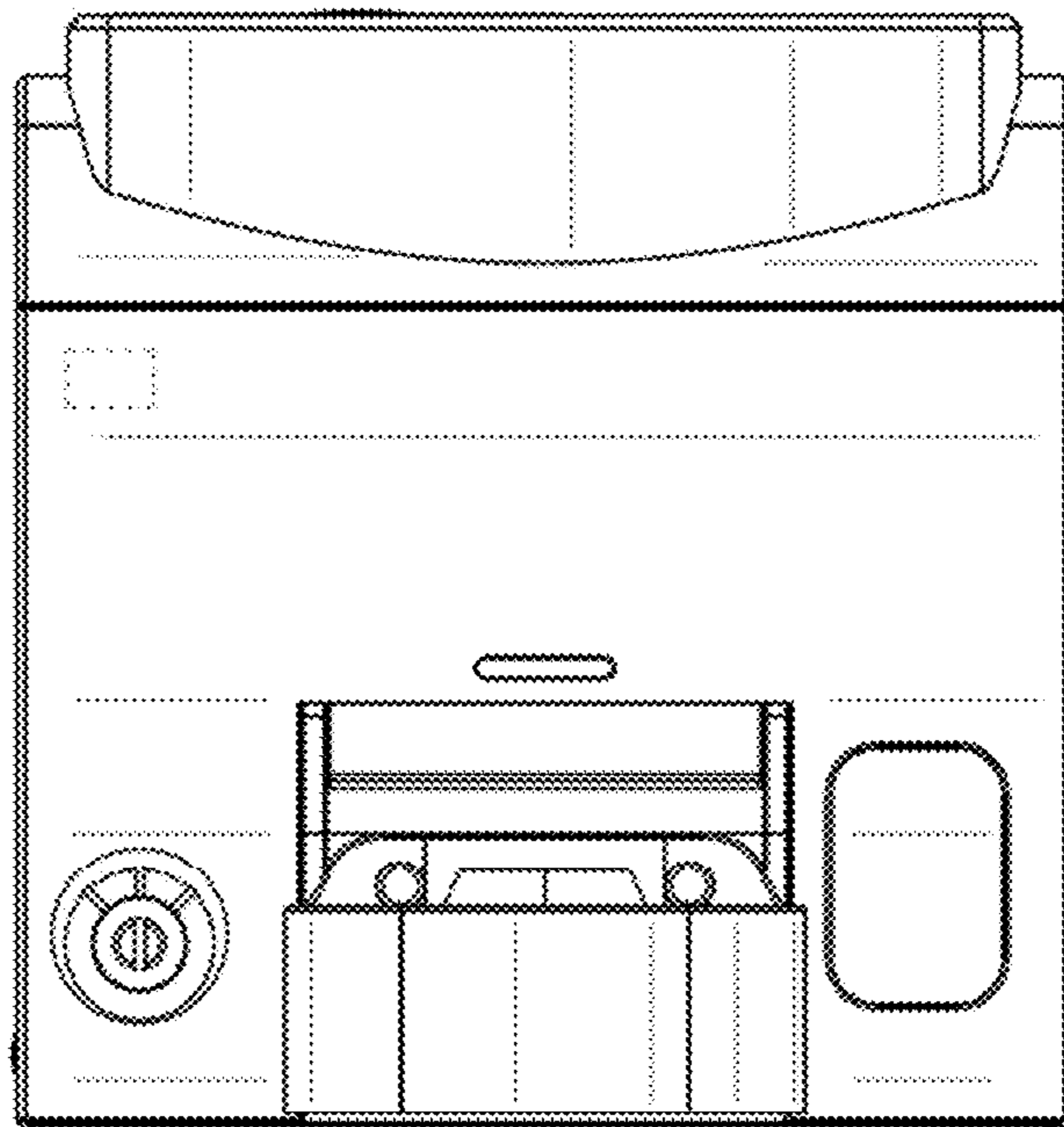


FIG. 4

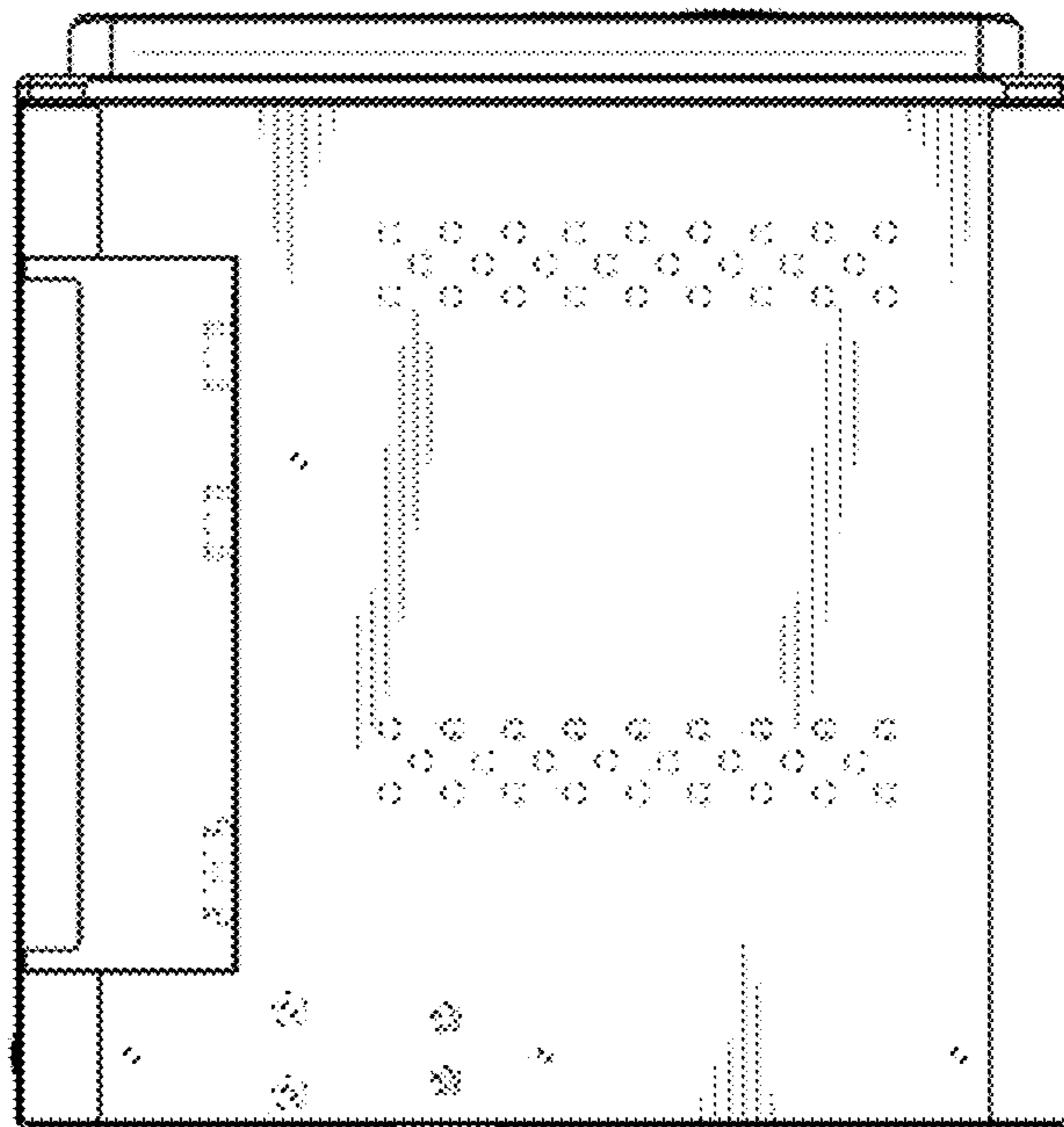


FIG. 5

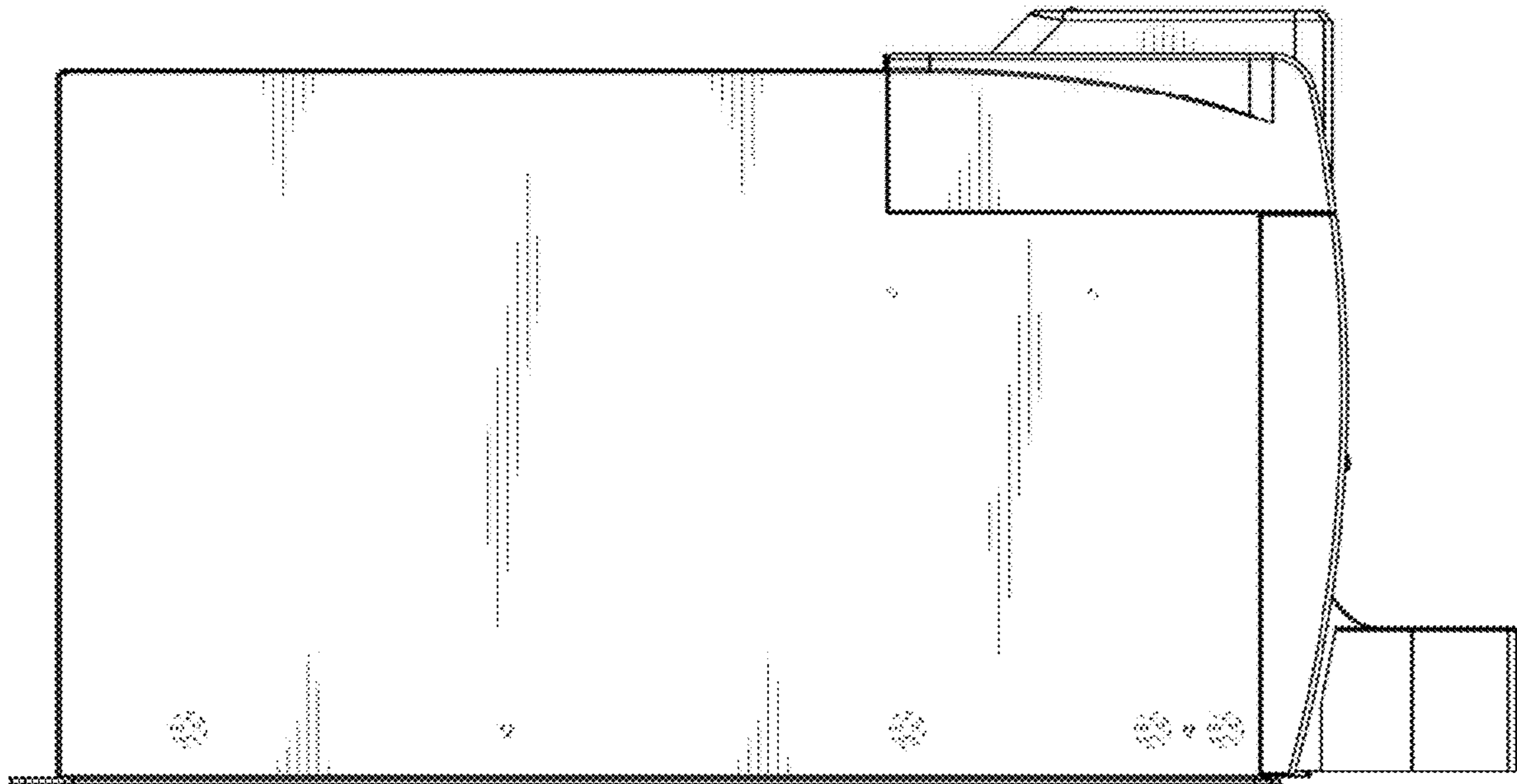


FIG. 6

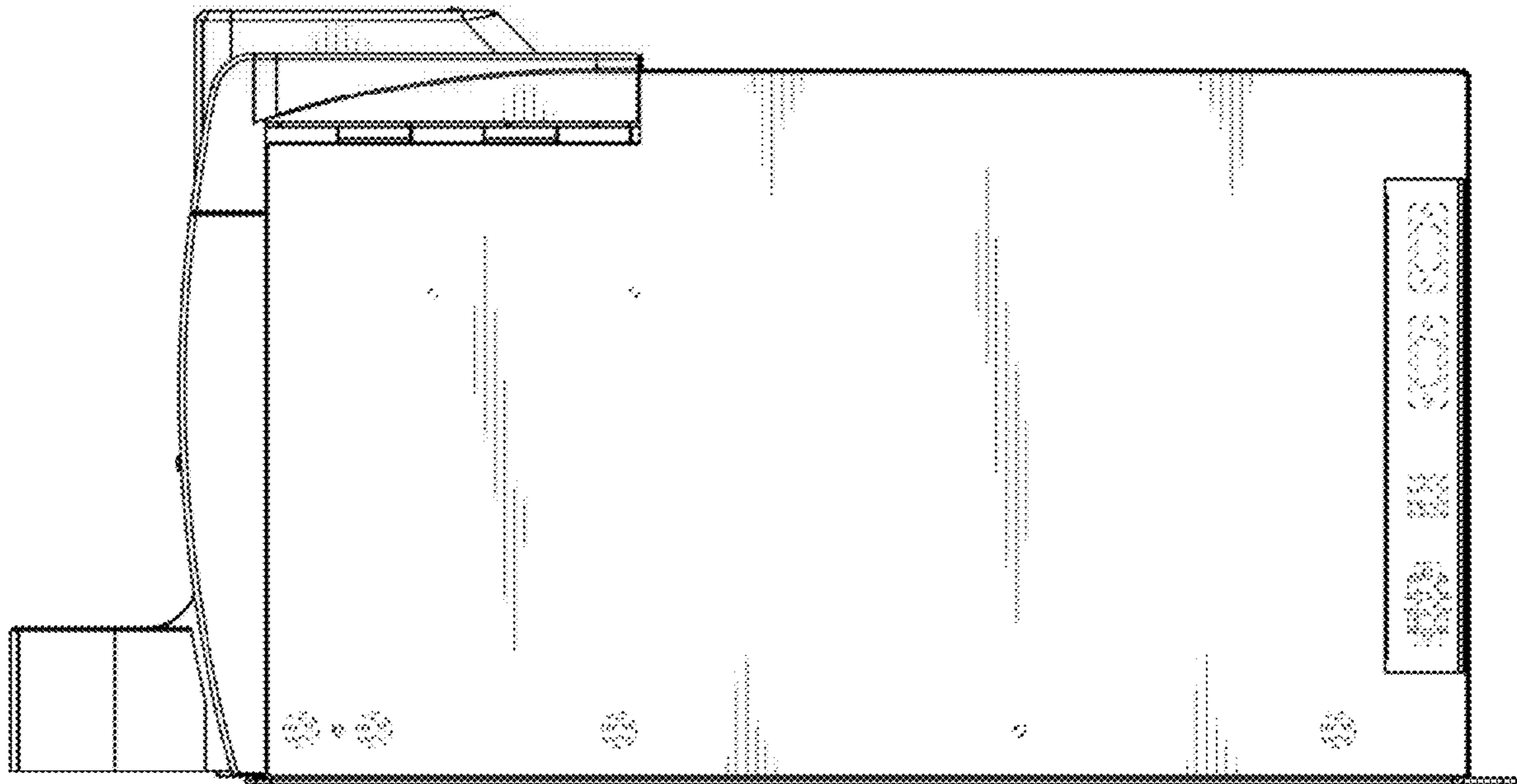


FIG. 7

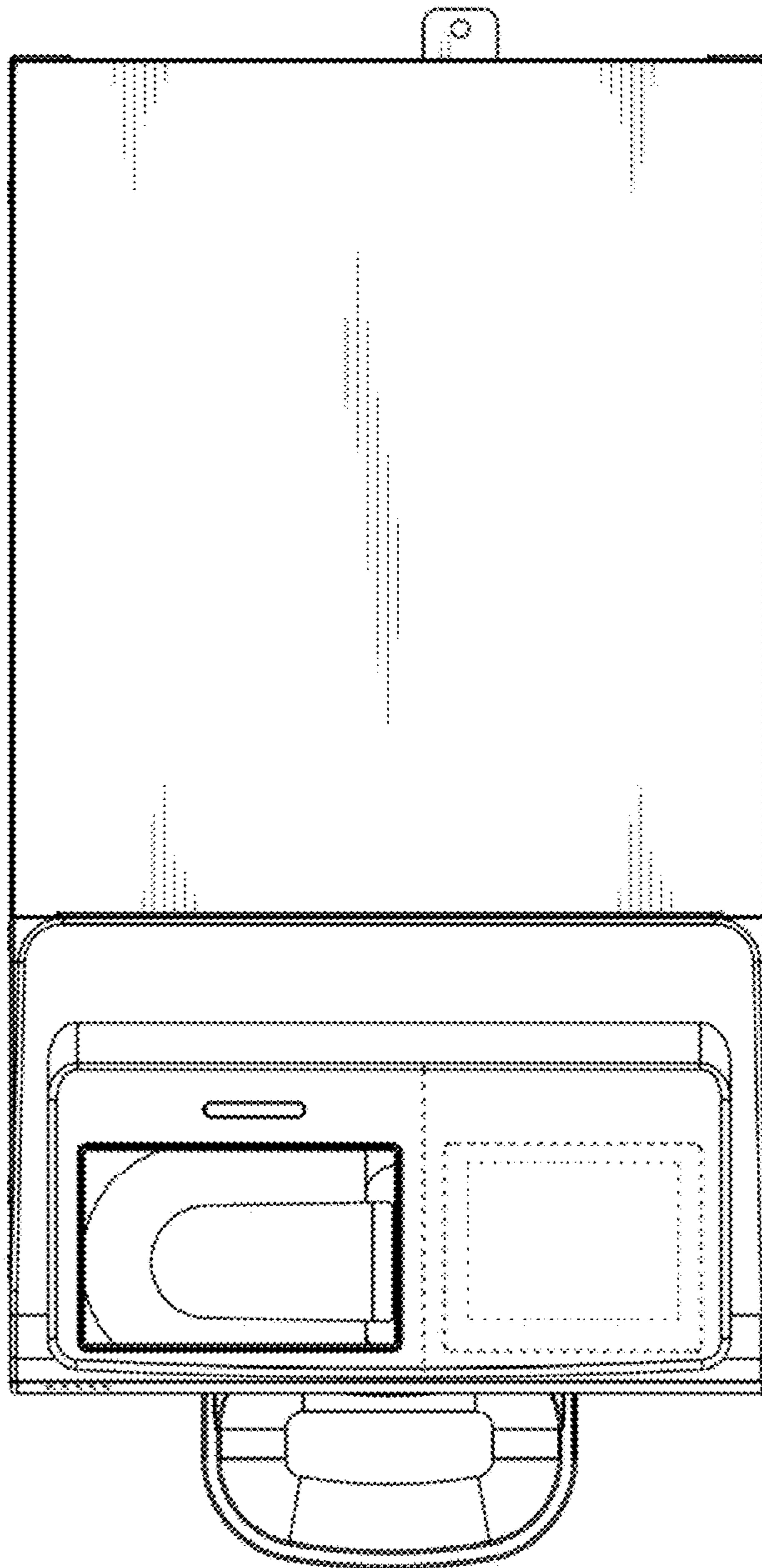


FIG. 8

