



US00D986187S

(12) **United States Design Patent**
Altonen et al.

(10) **Patent No.:** **US D986,187 S**
(45) **Date of Patent:** **** May 16, 2023**

(54) **ILLUMINATED CONTROL DEVICE**

OTHER PUBLICATIONS

(71) Applicant: **Lutron Technology Company LLC**,
Coopersburg, PA (US)

Amazon.com; Lutron Diva 250W LED+ Dimmer Switch for Dim-
mable LED; Dec. 10, 2010; 2 pgs.*

(Continued)

(72) Inventors: **Gregory Altonen**, Easton, PA (US);
Chris Dimberg, Easton, PA (US);
Jason C. Killo, Emmaus, PA (US);
Daniel L. Twaddell, Allentown, PA
(US)

Primary Examiner — Selina Sikder

(74) *Attorney, Agent, or Firm* — Saidman DesignLaw
Group, LLC

(73) Assignee: **Lutron Technology Company LLC**,
Coopersburg, PA (US)

(57) **CLAIM**

(**) Term: **15 Years**

The ornamental design for an illuminated control device, as
shown and described.

(21) Appl. No.: **29/801,749**

(22) Filed: **Jul. 30, 2021**

DESCRIPTION

(51) **LOC (14) Cl.** **13-03**

(52) **U.S. Cl.**

USPC **D13/169**; D13/174

(58) **Field of Classification Search**

USPC D13/162, 169, 171, 174, 177

CPC .. H01H 3/12; H01H 9/02; H01H 9/16; H01H
9/18; H01H 9/181; H01H 9/182; H01H
13/04; H01H 13/06; H01H 13/14; H01H
2009/187; H01H 3/04; H01H 23/00;
H01H 23/02; H01H 23/04; H01H 23/06;
H01H 23/08; H01H 23/14; H01H 23/146;
H01H 23/148; H01H 23/16; H01H
23/162; H01H 21/00; H01H 21/04; H01H
21/36; H01H 25/00; H01H 25/04; H01H
25/06; H05B 39/02; H05B 39/04; H05B
39/085; H05B 39/086; H05B 39/088;
H03K 17/96; H03K 17/962

See application file for complete search history.

FIG. 1 is a front view showing a first state in a sequence of
an illuminated control device showing our design;

FIG. 2 is a left side view thereof;

FIG. 3 is a right side view thereof;

FIG. 4 is a top view thereof;

FIG. 5 is a bottom view thereof;

FIG. 6 is a front view showing a second state in a sequence
thereof;

FIG. 7 is a front view showing a third state in a sequence
thereof;

FIG. 8 is a front view showing a fourth state in a sequence
thereof; and,

FIG. 9 is a front view showing a fifth state in a sequence
thereof.

The gray shaded elements depict illumination,.

The dashed broken lines illustrate portions of the control
device which form no part of the claimed design.

The dot-dot-dash broken lines illustrate boundaries which
form no part of the claimed design.

The appearance of the claimed design transitions from the
first state to the last state in the sequence. The process or
period in which one state transitions to another state forms
no part of the claimed design.

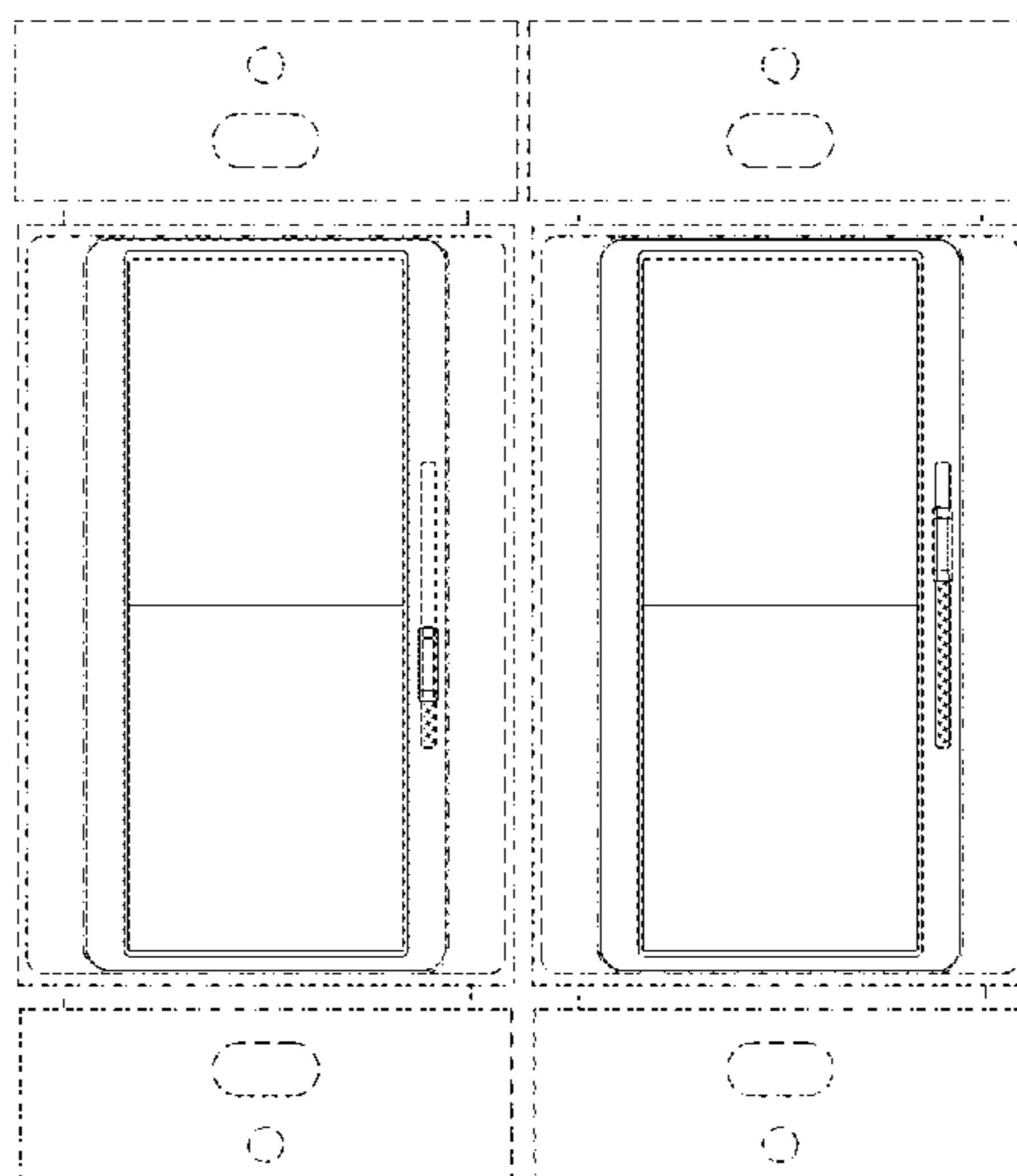
(56) **References Cited**

U.S. PATENT DOCUMENTS

5,207,317 A 5/1993 Bryde et al.
D364,141 S 11/1995 Hanna et al.

(Continued)

1 Claim, 7 Drawing Sheets



(56)

References Cited

U.S. PATENT DOCUMENTS

6,005,308	A	12/1999	Bryde et al.	
D576,962	S *	9/2008	Kidman	D13/169
D583,335	S *	12/2008	Ni	D13/169
D601,513	S *	10/2009	Goyal	D13/177
8,003,904	B2 *	8/2011	Wu	H01H 3/161 200/18
D649,122	S *	11/2011	Jacoby	D13/162
D740,766	S *	10/2015	Falkenberg	D13/169
9,329,607	B2 *	5/2016	Kevelos	H01H 23/025
D821,985	S *	7/2018	Zheng	D13/169
D865,682	S	11/2019	Dimberg et al.	
10,652,968	B2 *	5/2020	Zheng	H05B 47/10
D892,065	S	8/2020	Dimberg et al.	
D913,254	S	3/2021	Altonen et al.	
D924,185	S	7/2021	Newman, Jr. et al.	
D924,819	S	7/2021	Newman, Jr. et al.	
D933,027	S *	10/2021	Altonen	D13/169
D962,878	S *	9/2022	Dimberg	H01H 9/0207 D13/174

OTHER PUBLICATIONS

Amazon.com.ELEGRP Slide Dimmer Switch for Dimmable LED, Dec. 12, 2018; 2 pgs.*

Amazon.com; Bestten Digital Dimmer Switch with LED Indicator, Horizontal Dimming Slider Bar; Aug. 22, 2019; 2 pgs.*

Inovelli Dimmer Switch; Jun. 20, 2019; 1 pg.*

Amazon.com;Leviton R02-VZM10-1LW Vizia 1000-Watt Incandescent_Magnetic Low Voltage Dimmer; Sep. 10, 2008; 2 pgs.*

2 Pack Bestten Dimmer Light Switch, Universal Lighting Control, Single Pole or 3 Way; May 17, 2019; 2 pgs.*

U.S. Appl. No. 29/709,969, filed Oct. 18, 2019 (unpublished).

U.S. Appl. No. 29/740,579, filed Jul. 6, 2020 (unpublished).

U.S. Appl. No. 29/786,079, filed May 28, 2021 (unpublished).

U.S. Appl. No. 29/794,154, filed Jun. 10, 2021 (unpublished).

U.S. Appl. No. 29/801,752, filed Jul. 30, 2021 (unpublished).

* cited by examiner

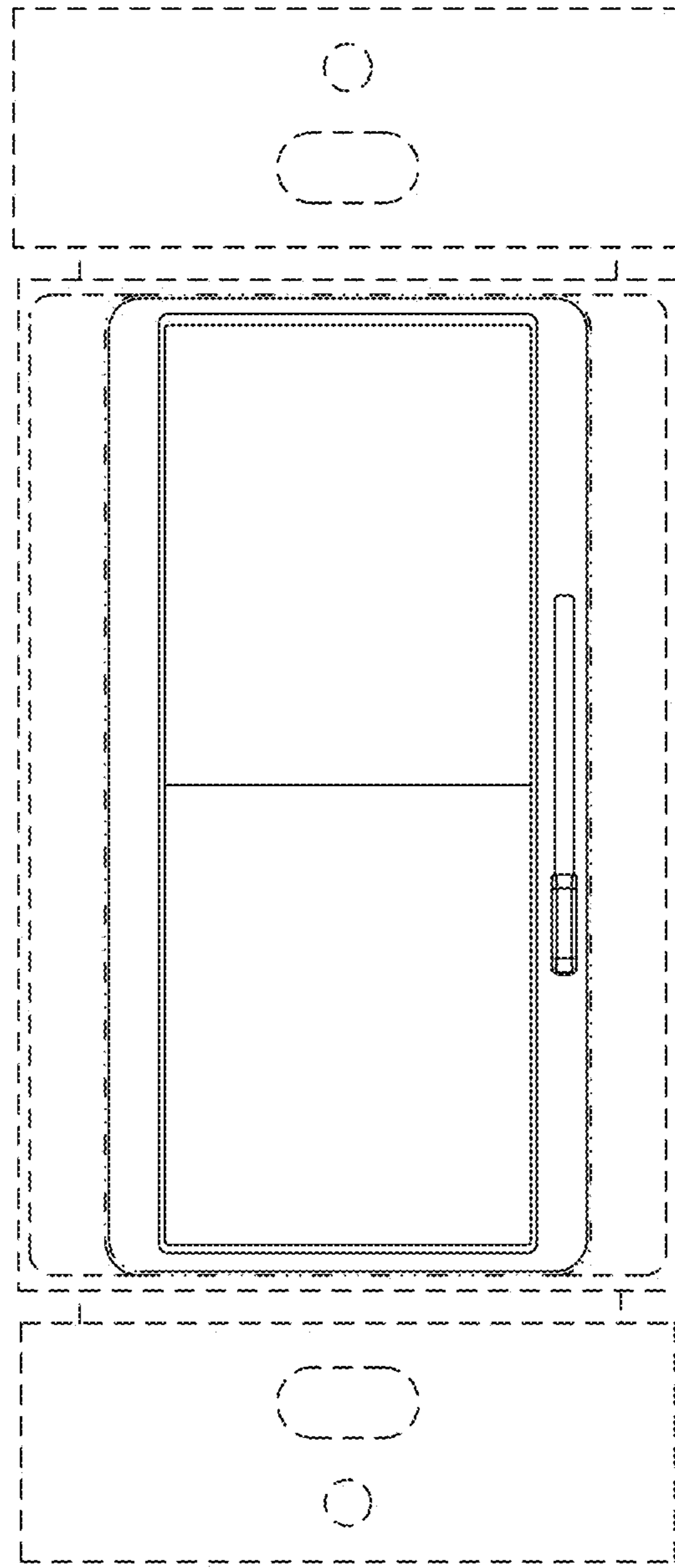


FIG. 1

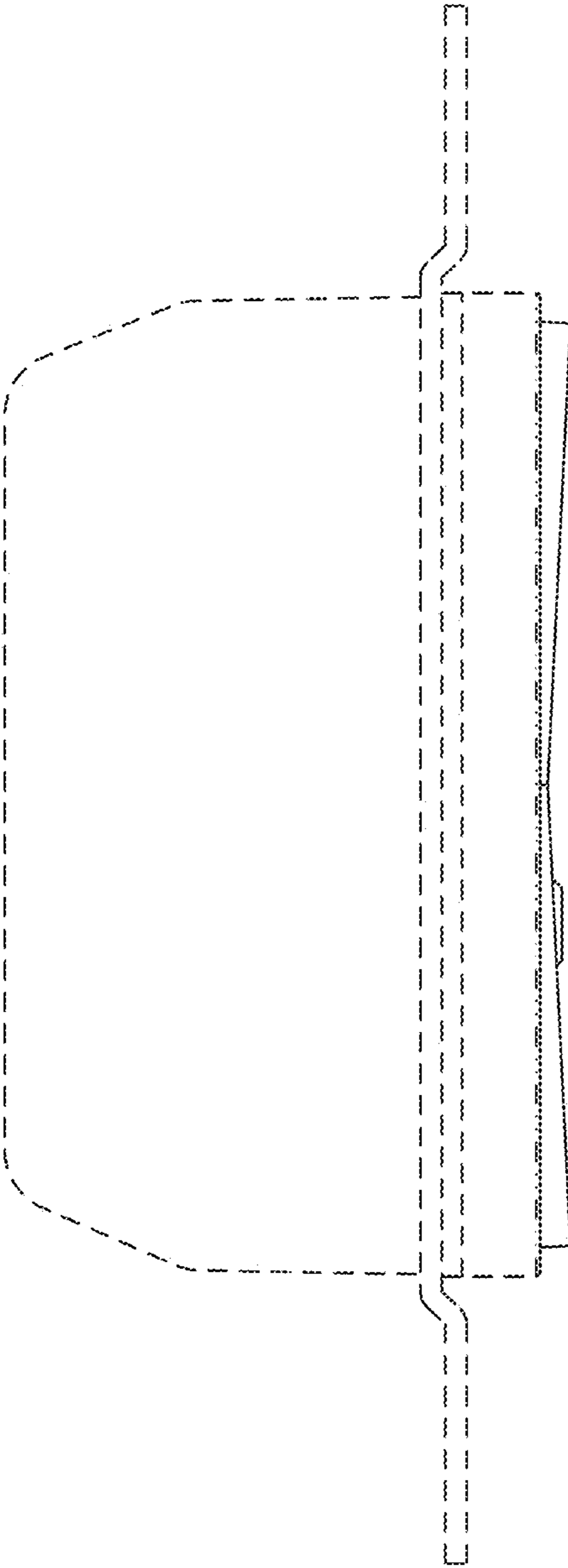


FIG. 2

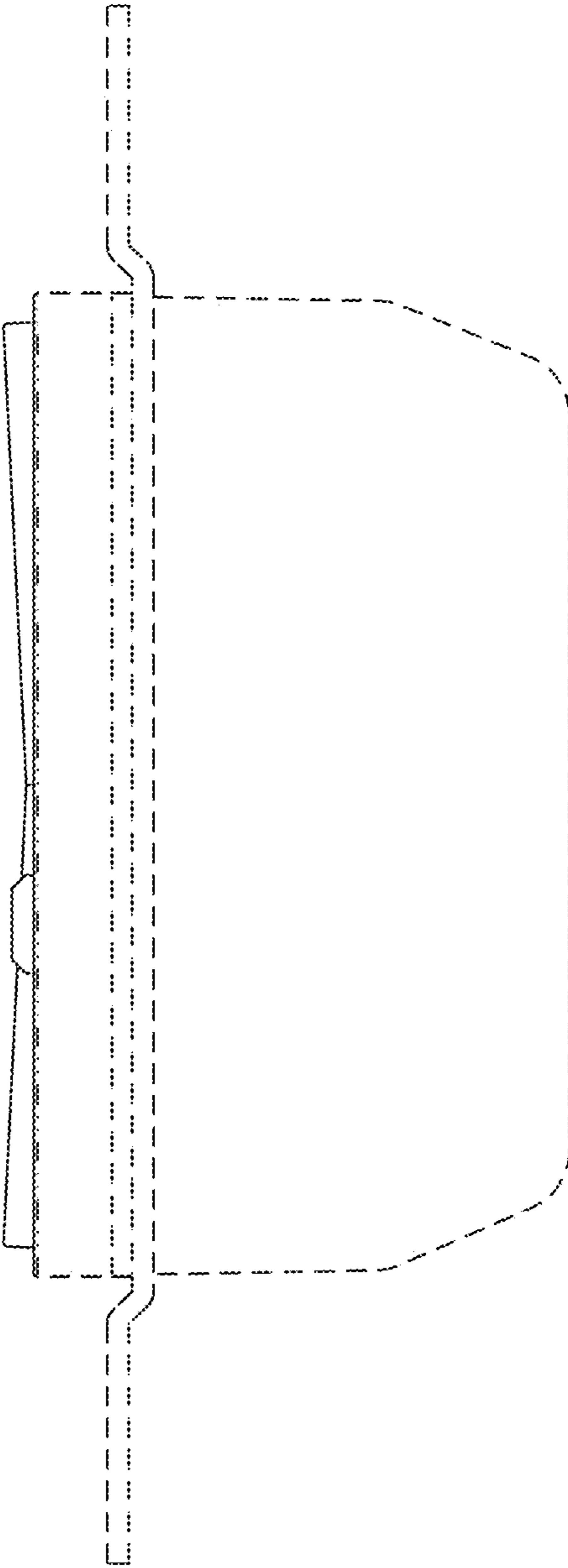


FIG. 3

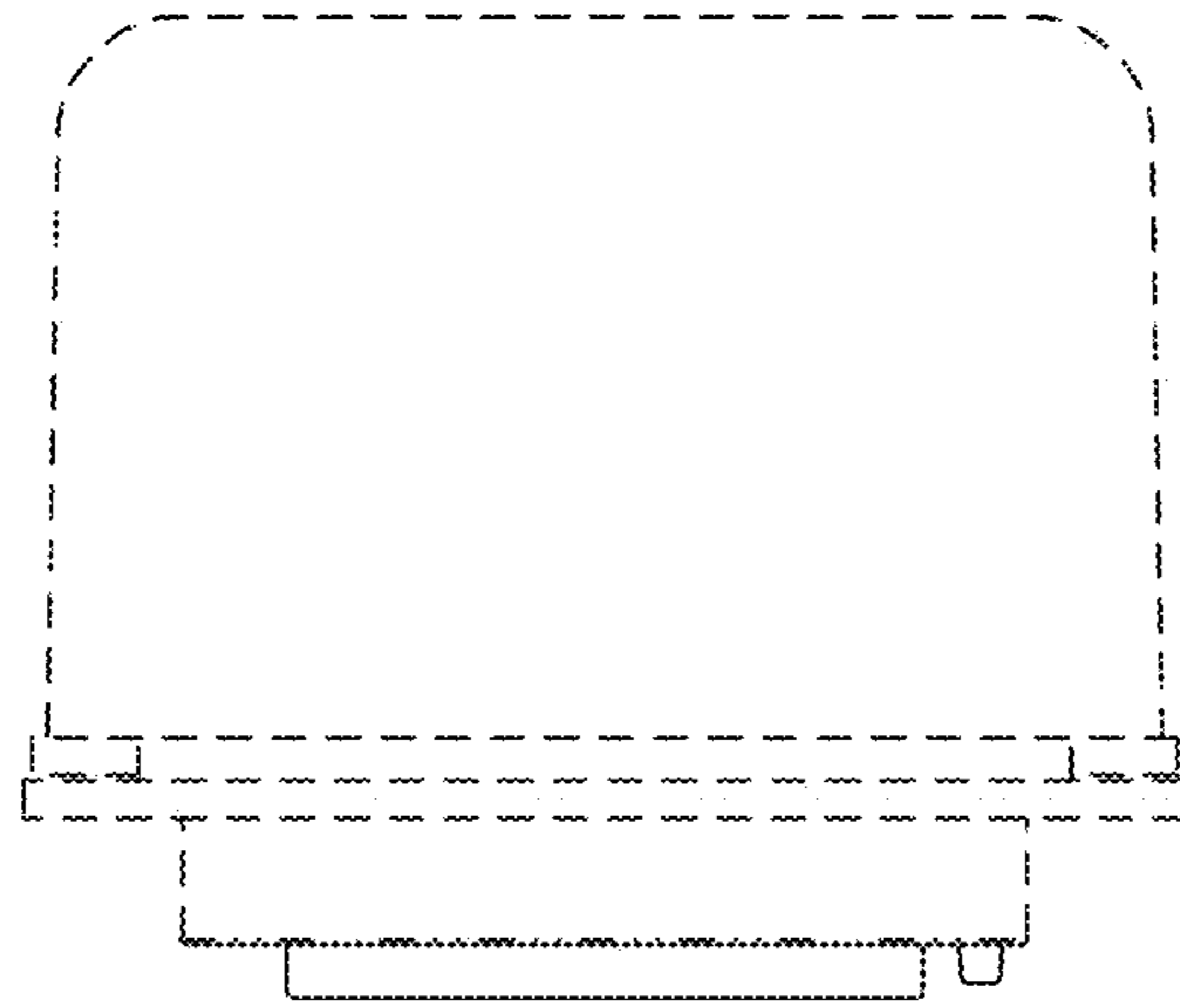


FIG. 4

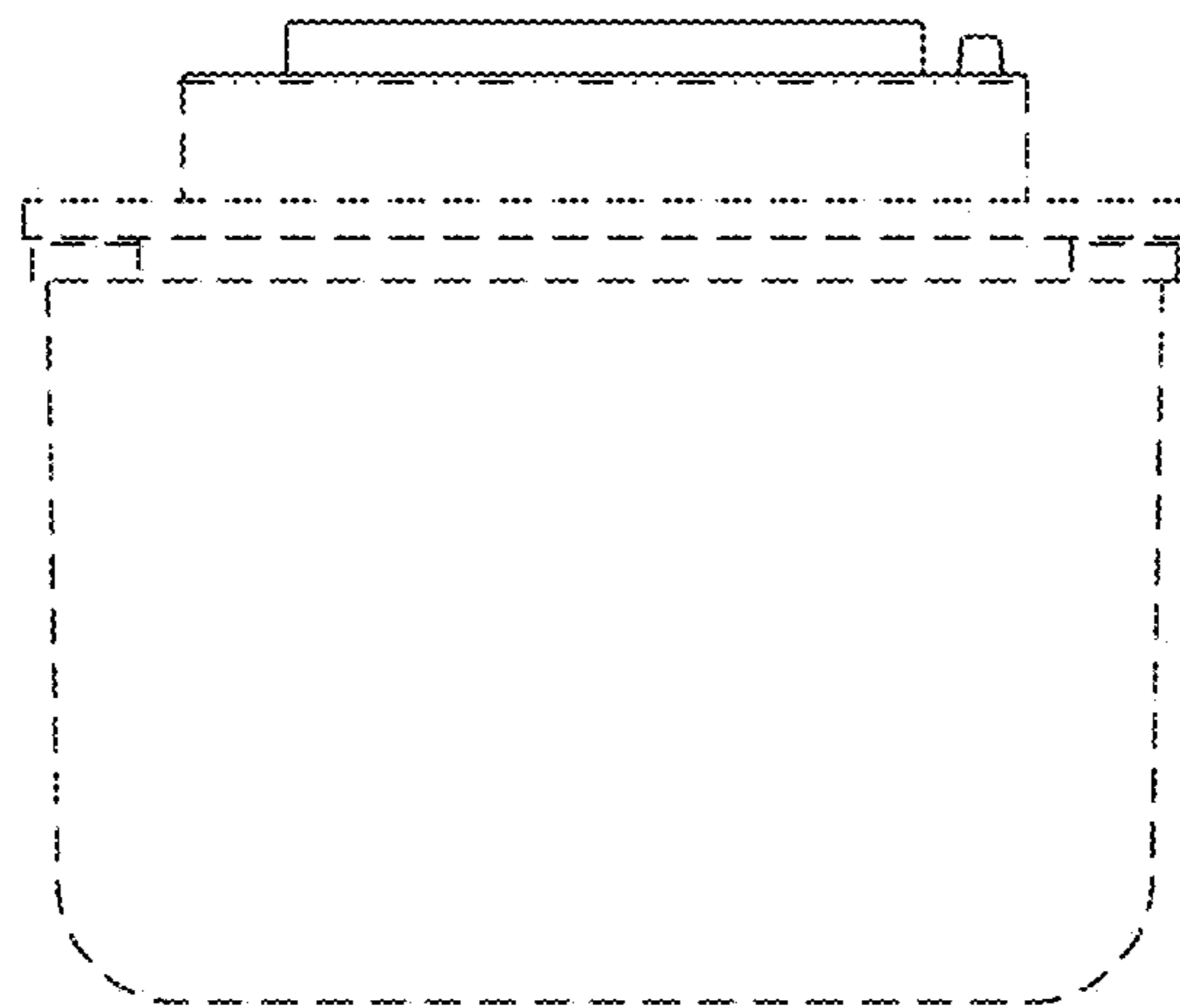


FIG. 5

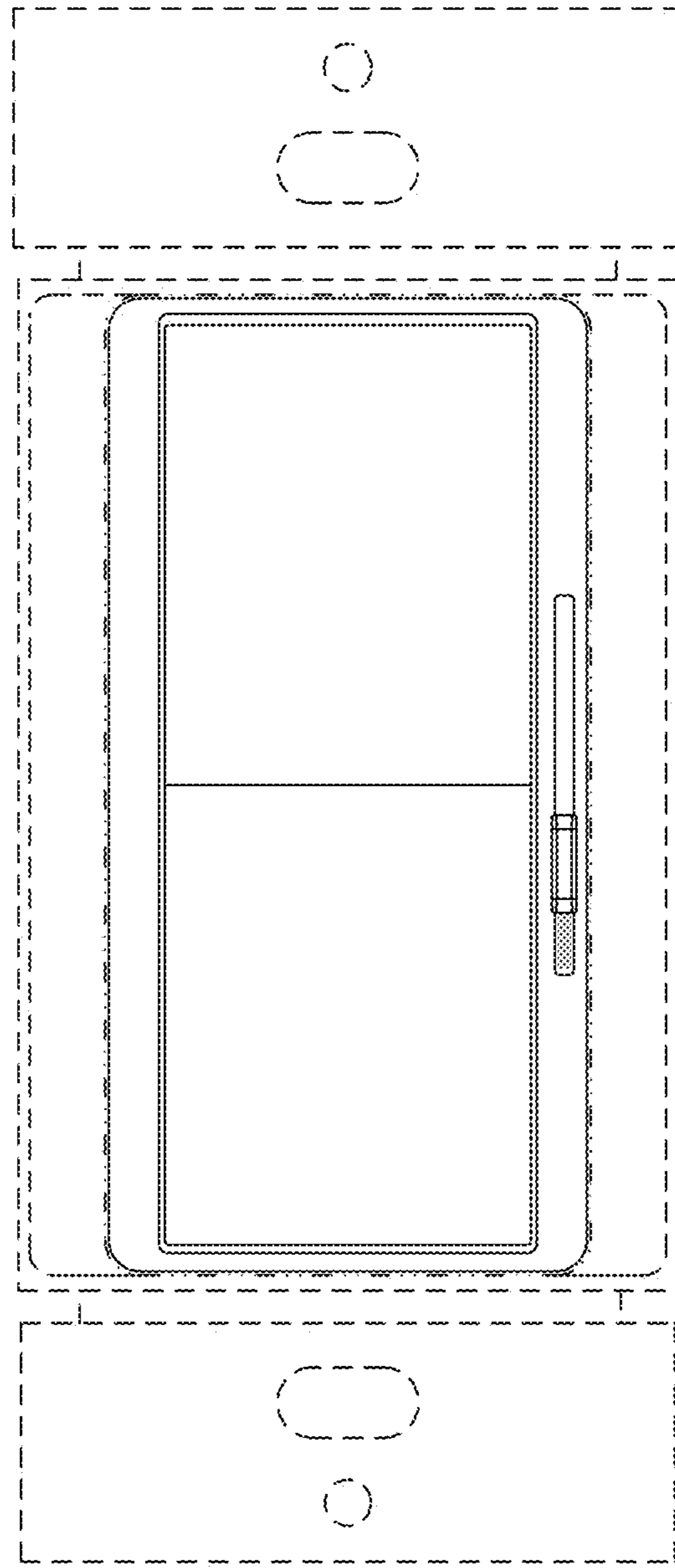


FIG. 6

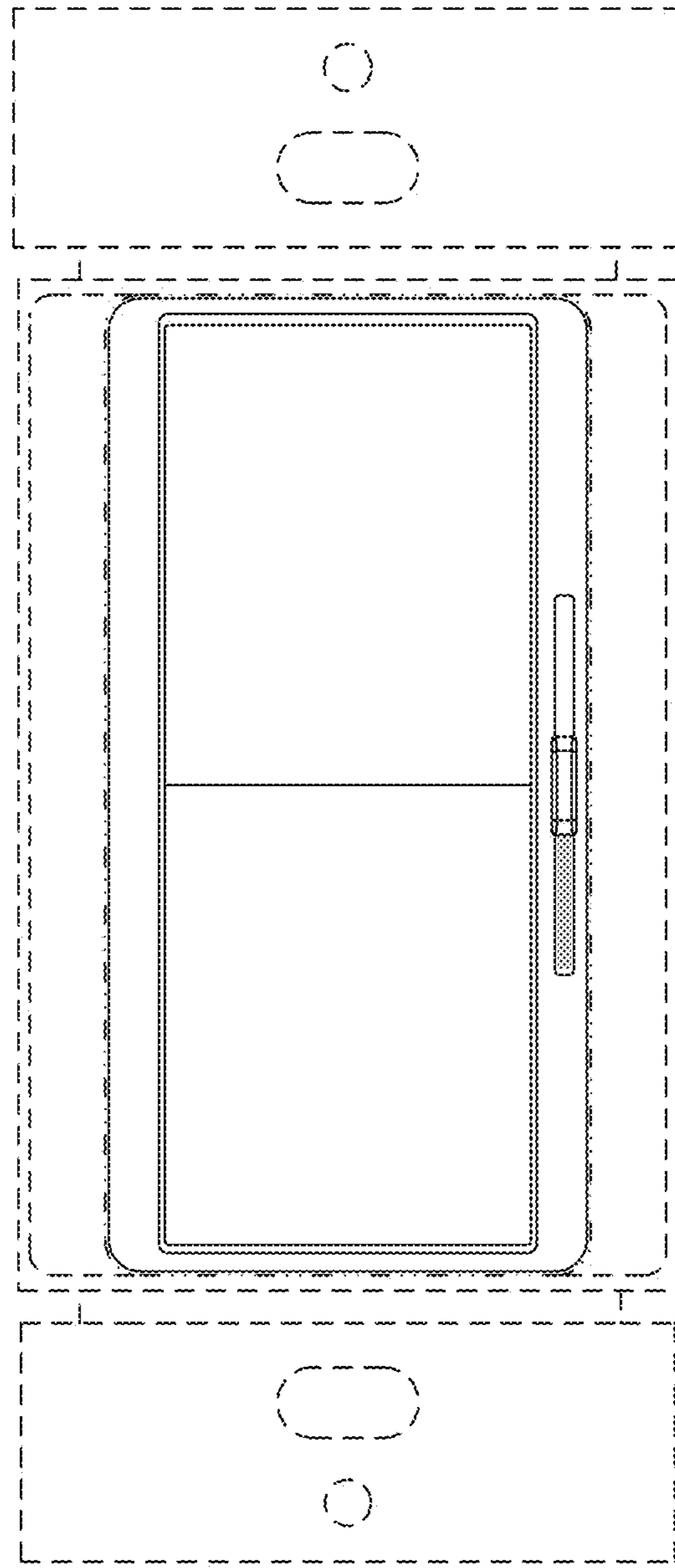


FIG. 7

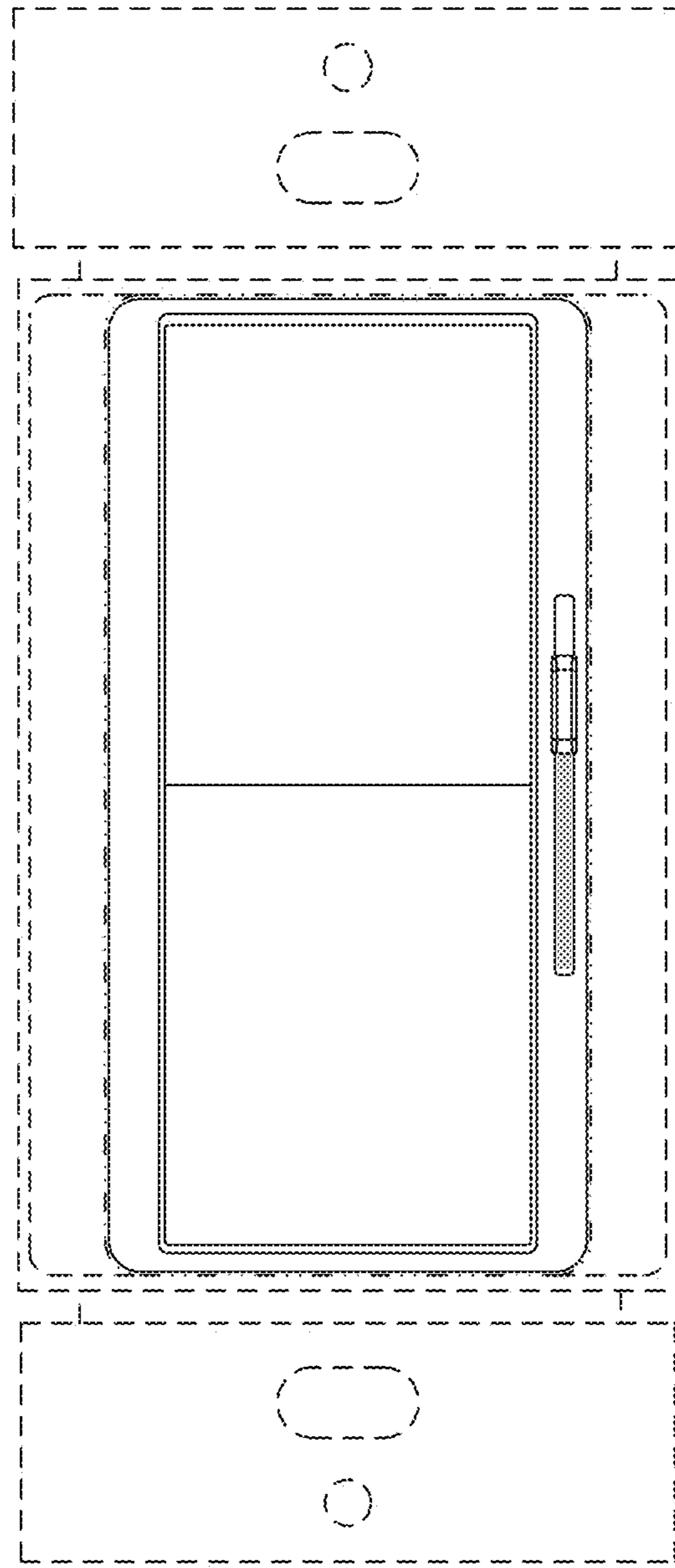


FIG. 8

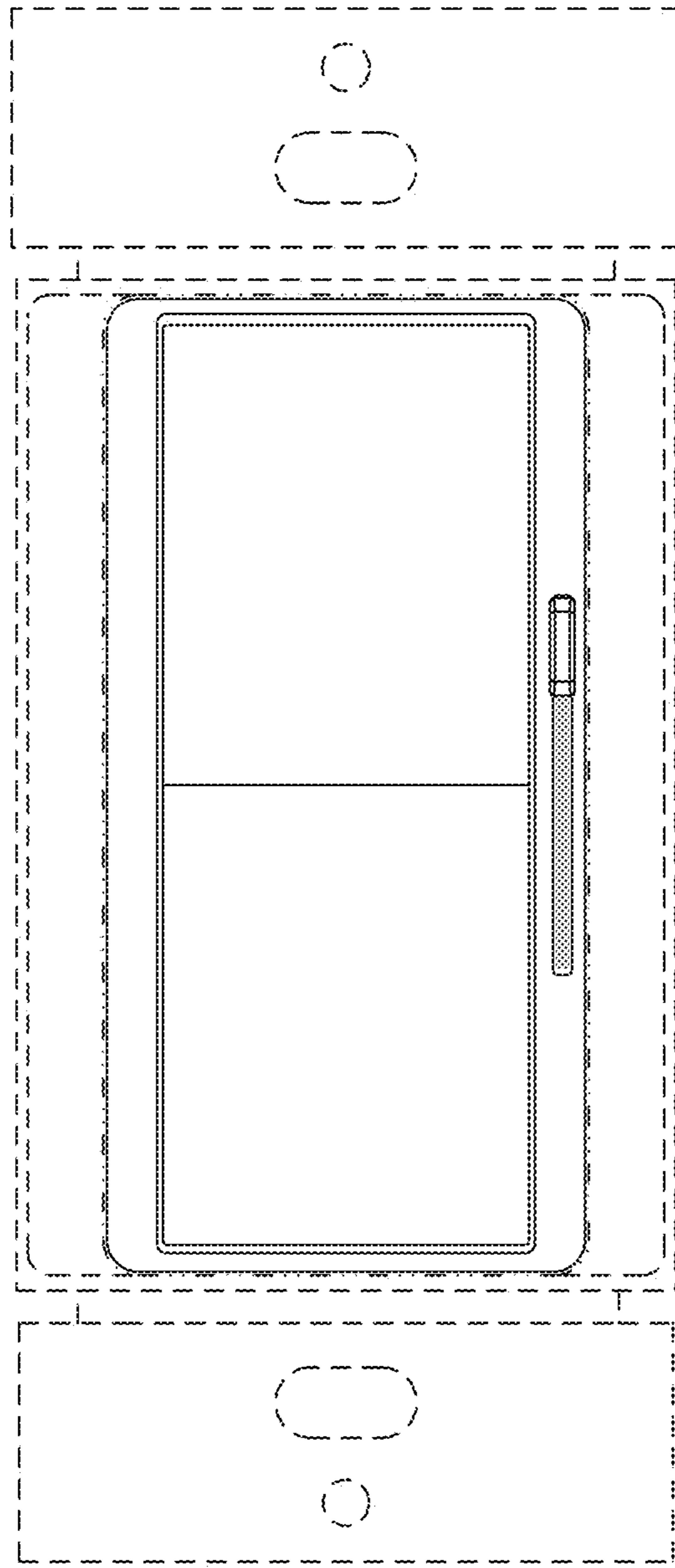


FIG. 9

UNITED STATES PATENT AND TRADEMARK OFFICE
CERTIFICATE OF CORRECTION

PATENT NO. : D986,187 S
APPLICATION NO. : 29/801749
DATED : May 16, 2023
INVENTOR(S) : Altonen et al.

Page 1 of 1

It is certified that error appears in the above-identified patent and that said Letters Patent is hereby corrected as shown below:

On the Title Page

Item (57) DESCRIPTION

Column 2 Line 15:

-The gray shaded elements depict illumination,.-

Should read:

--The gray shaded elements depict illumination.--

Signed and Sealed this
Fourth Day of July, 2023



Katherine Kelly Vidal
Director of the United States Patent and Trademark Office