



US00D986186S

(12) **United States Design Patent**
Lai

(10) **Patent No.:** **US D986,186 S**

(45) **Date of Patent:** **** May 16, 2023**

(54) **ELECTRICAL CONNECTOR**

(71) Applicant: **JESS-LINK PRODUCTS CO., LTD.**,
New Taipei (TW)

(72) Inventor: **Cheng-Chung Lai**, New Taipei (TW)

(73) Assignee: **JESS-LINK PRODUCTS CO., LTD.**,
New Taipei (TW)

(**) Term: **15 Years**

(21) Appl. No.: **29/787,014**

(22) Filed: **Jun. 3, 2021**

(51) **LOC (14) Cl.** **13-03**

(52) **U.S. Cl.**
USPC **D13/147**

(58) **Field of Classification Search**
USPC D13/154, 146, 147, 123, 133,
D13/137.1–139.8, 110, 159, 184, 199,
D13/112, 101, 113–116, 122, 152, 156,
D13/151; D8/354, 356
CPC H01R 13/6271; H01R 13/6272; H01R
13/6315; H01R 13/631; H01R 13/639;
H01R 13/641; H01R 13/506
See application file for complete search history.

(56) **References Cited**

U.S. PATENT DOCUMENTS

D434,731 S	*	12/2000	Wu	D13/147
D435,831 S	*	1/2001	Ko	D13/147
D524,750 S	*	7/2006	Hisamatsu	D13/147
D552,553 S	*	10/2007	Lin	D13/147
D598,391 S	*	8/2009	Yu	D13/147
D718,246 S	*	11/2014	Endo	D13/147
D937,778 S	*	12/2021	Tada	D13/133

D967,768 S	*	10/2022	Obata	D13/133
2002/0142665 A1	*	10/2002	Nishio	H01R 13/42 439/660
2013/0130542 A1	*	5/2013	Tajiri	H01R 9/0512 439/578
2019/0252815 A1	*	8/2019	Hara	H01R 13/4362
2022/0190501 A1	*	6/2022	Obata	H01R 12/772

FOREIGN PATENT DOCUMENTS

TW 214514-0001 * 10/2021

* cited by examiner

Primary Examiner — Bridget L Eland

(57) **CLAIM**

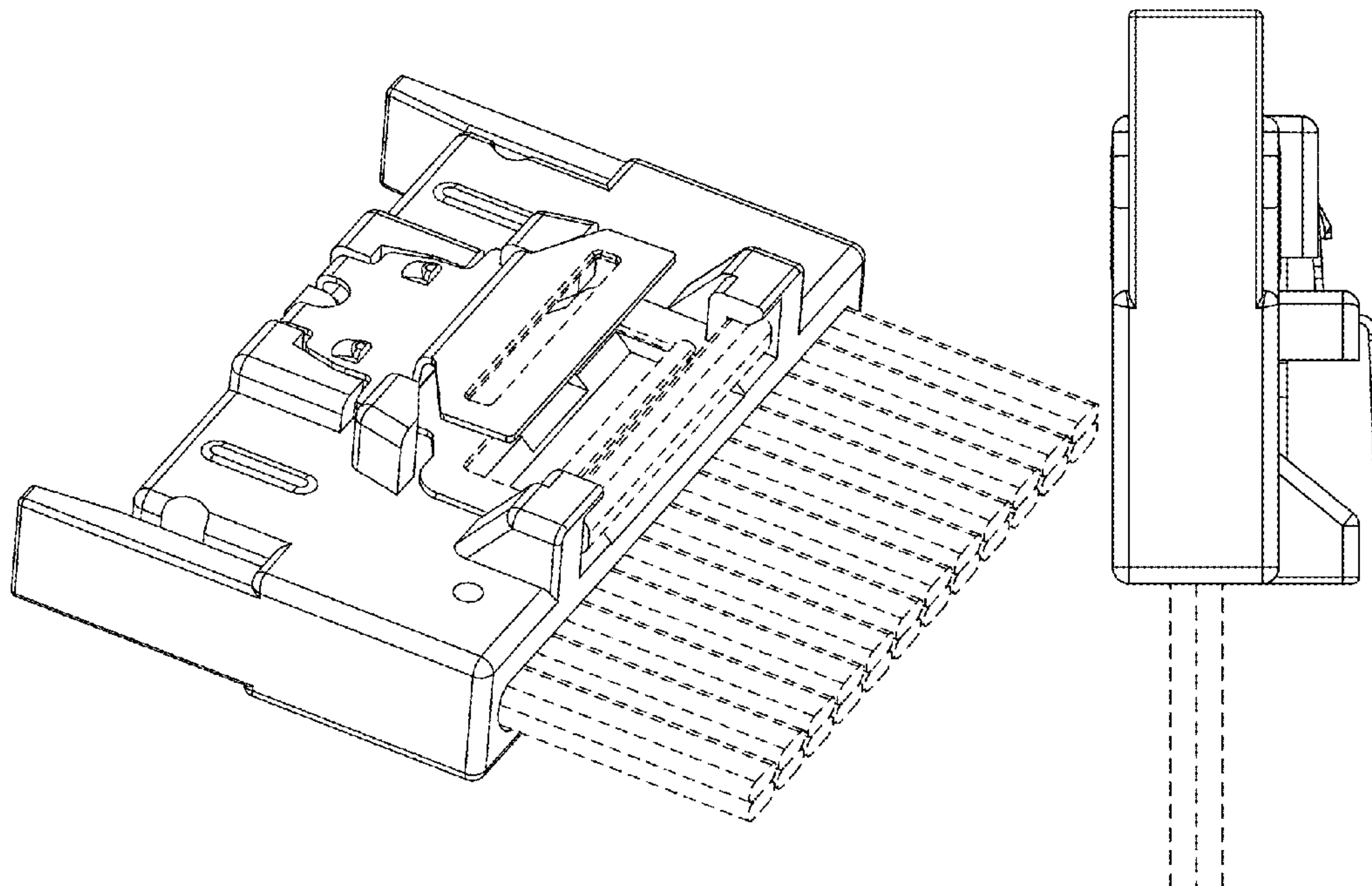
The ornamental design for an electrical connector, as shown and described.

DESCRIPTION

FIG. 1 is a perspective view of the electrical connector according to the claimed design;
FIG. 2 is another perspective view of the electrical connector of FIG. 1;
FIG. 3 is a front view of the electrical connector of FIG. 1;
FIG. 4 is a rear view of the electrical connector of FIG. 1;
FIG. 5 is a left side view of the electrical connector of FIG. 1;
FIG. 6 is a right side view of the electrical connector of FIG. 1;
FIG. 7 is a top view of the electrical connector of FIG. 1; and,
FIG. 8 is a bottom view of the electrical connector of FIG. 1.

All the broken lines in the figures are directed to environment and are for illustrative purpose only. The broken lines form no part of the claimed design.

1 Claim, 8 Drawing Sheets



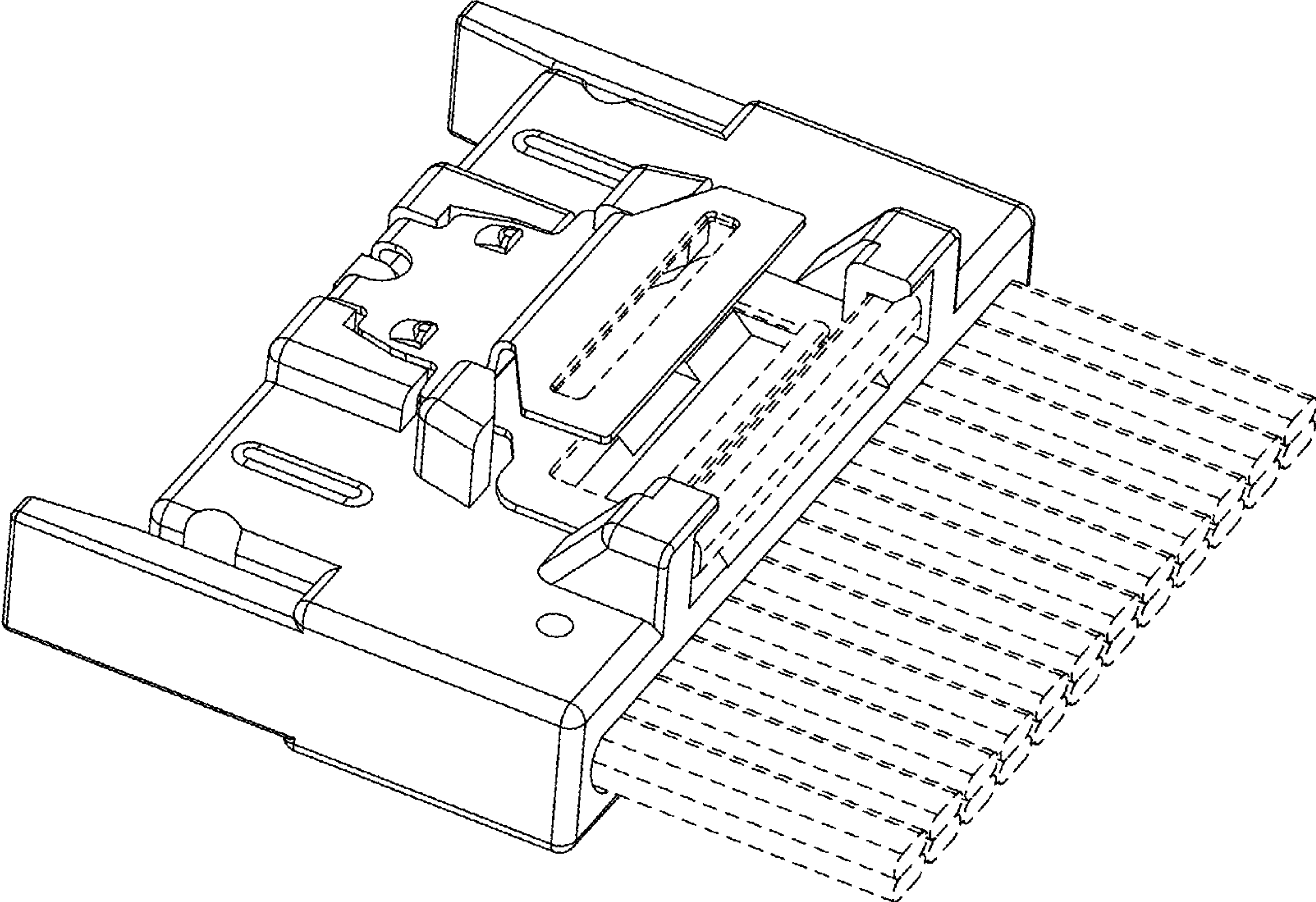


FIG. 1

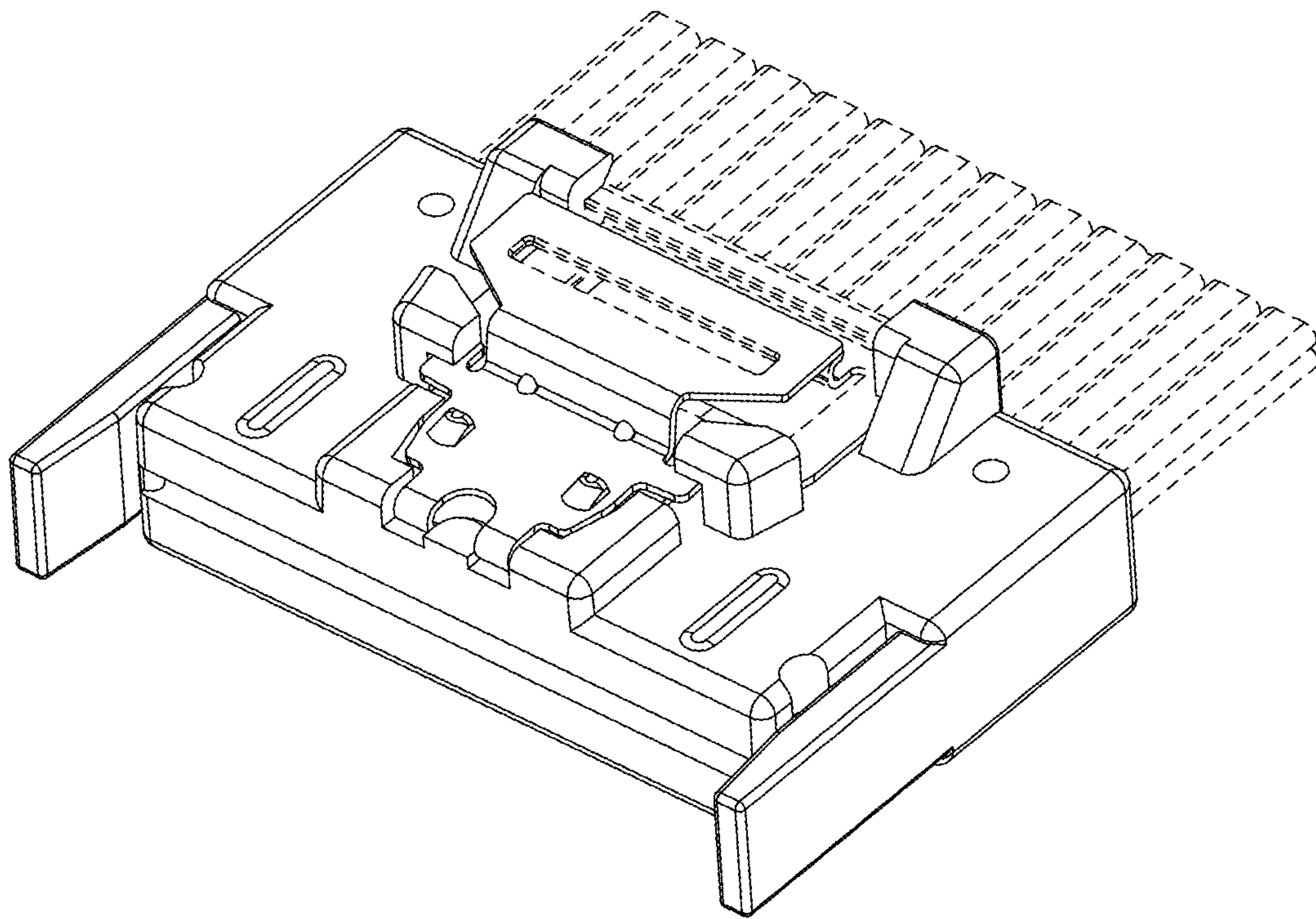


FIG. 2

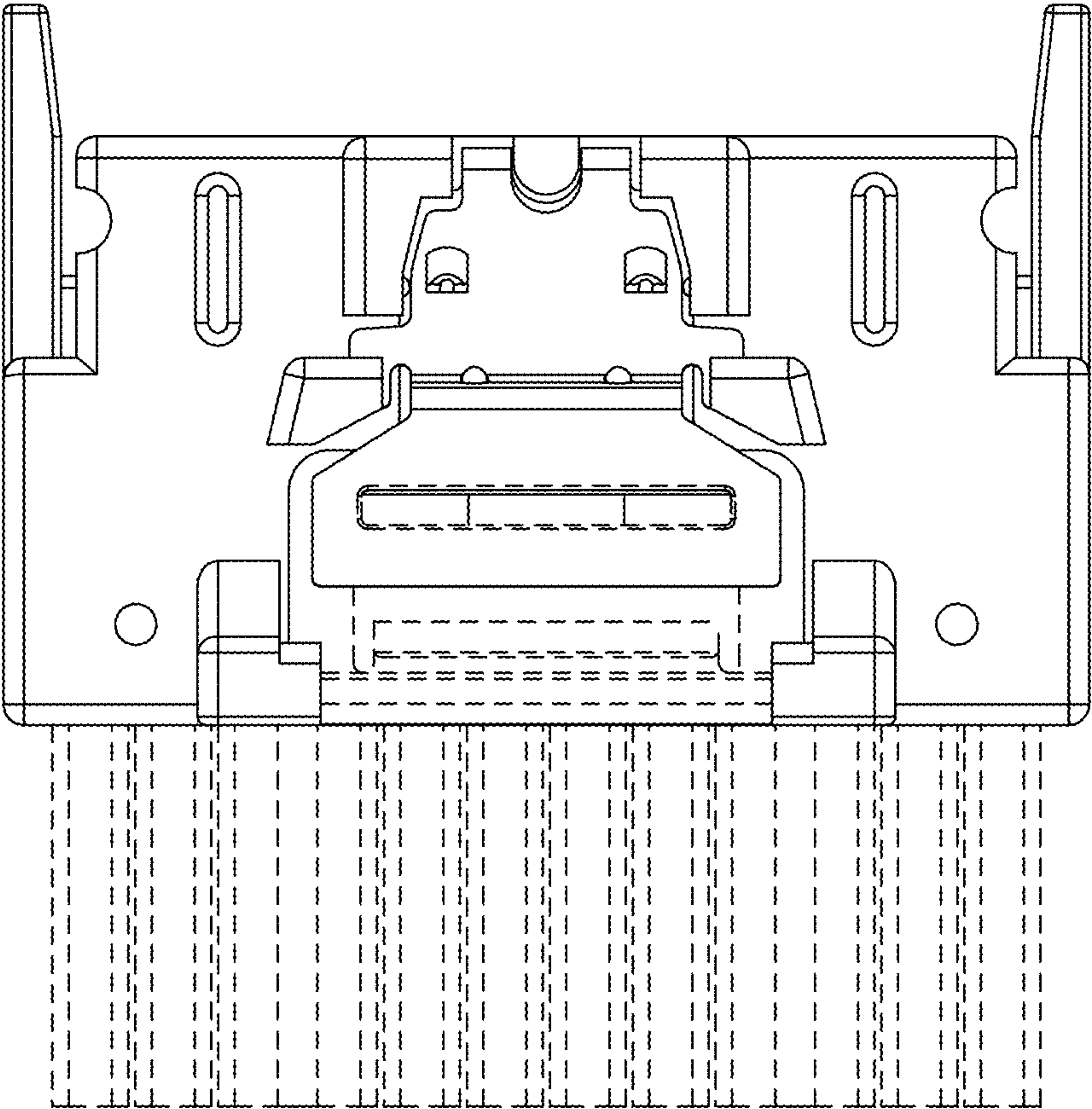


FIG. 3

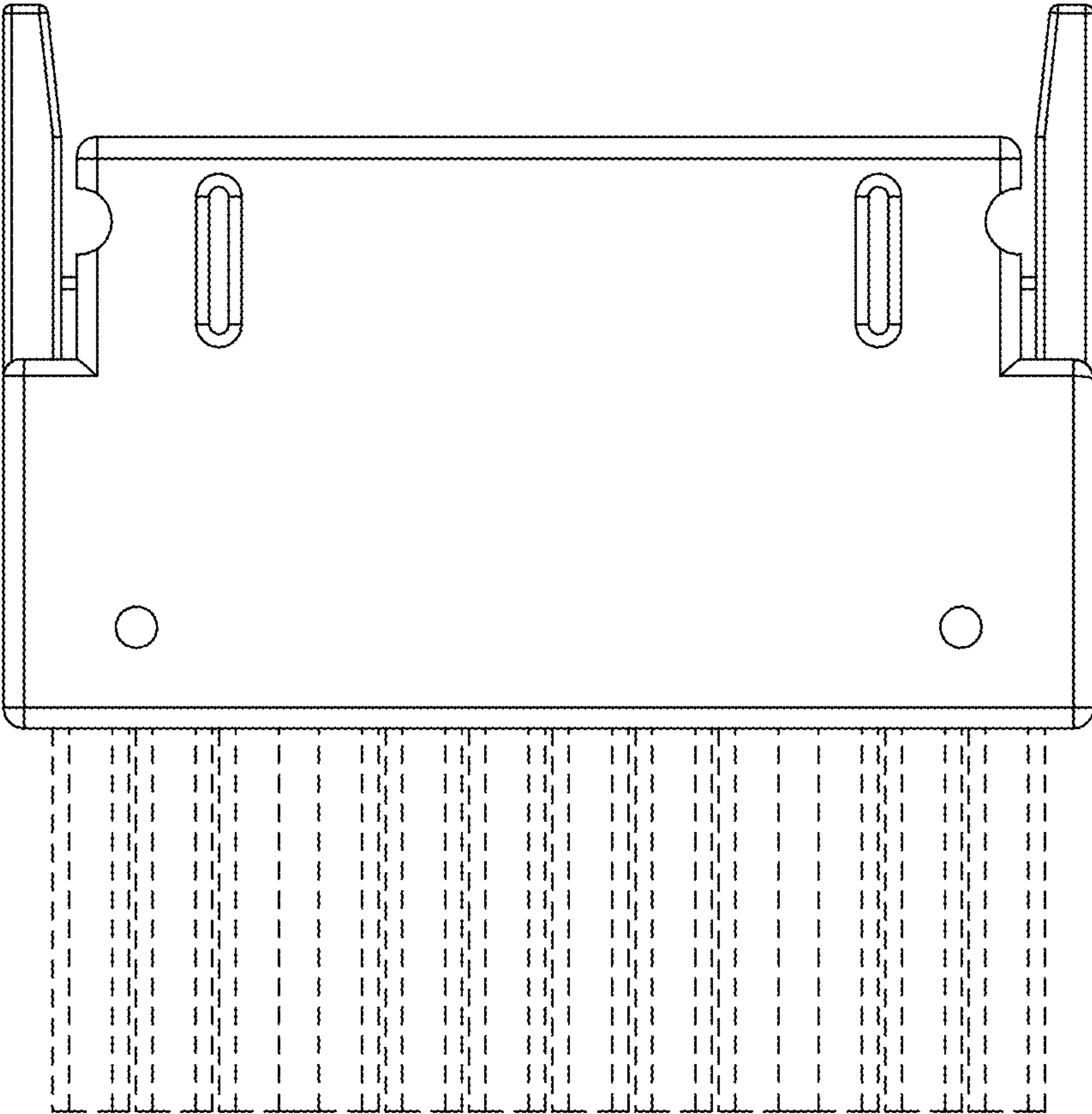


FIG. 4

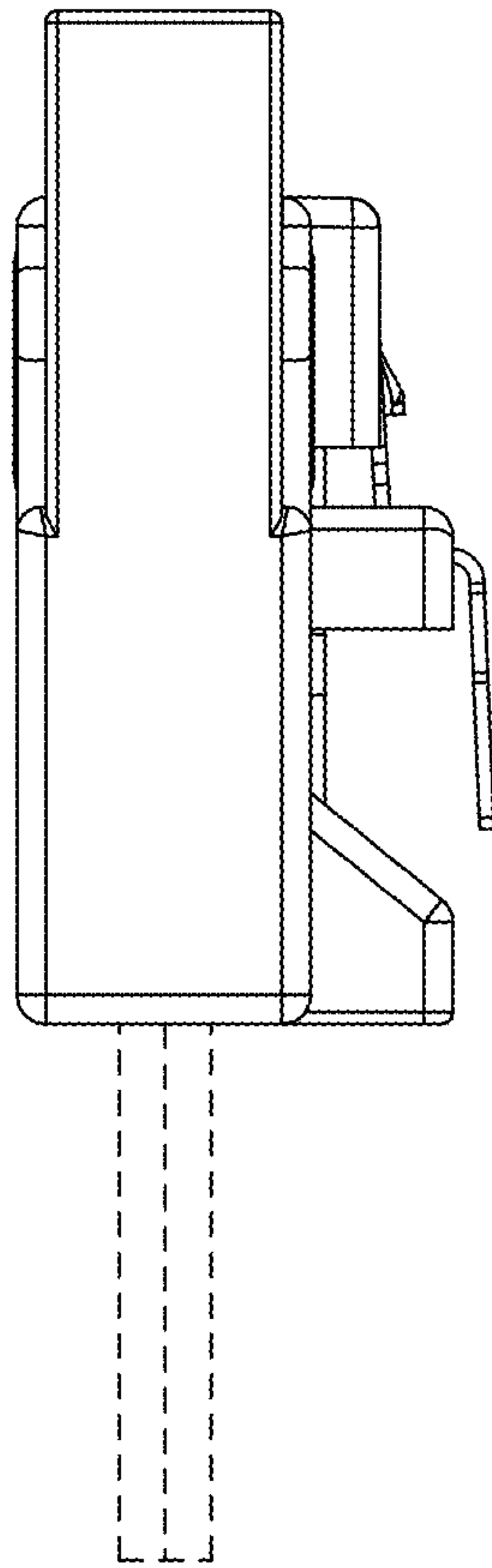


FIG. 5

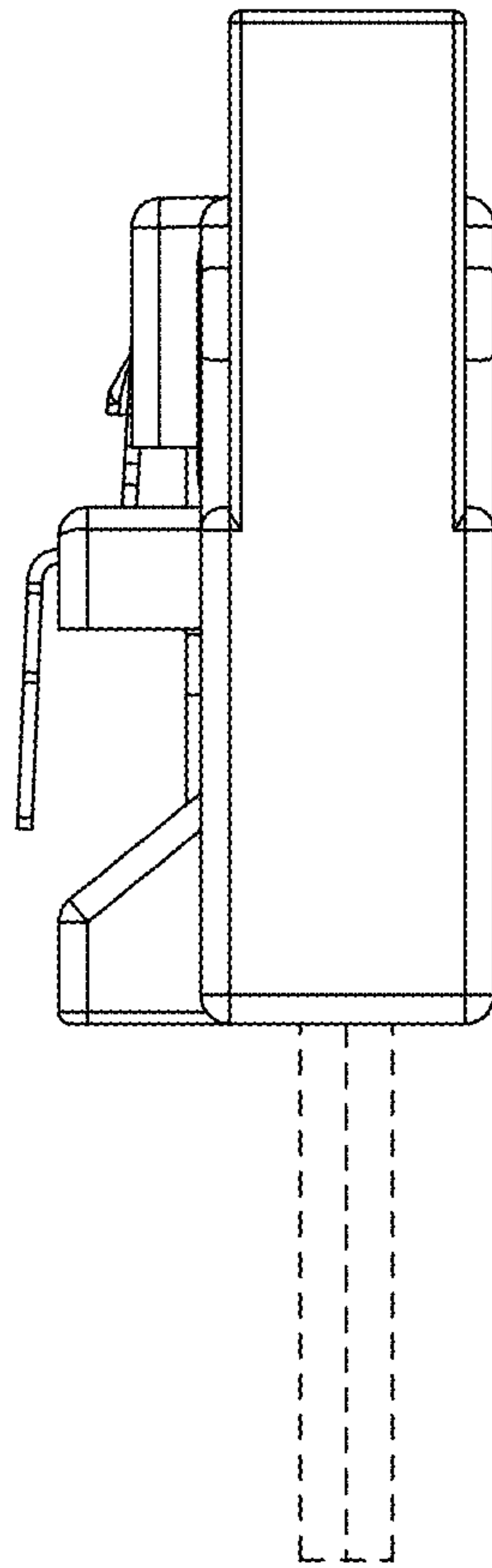


FIG. 6

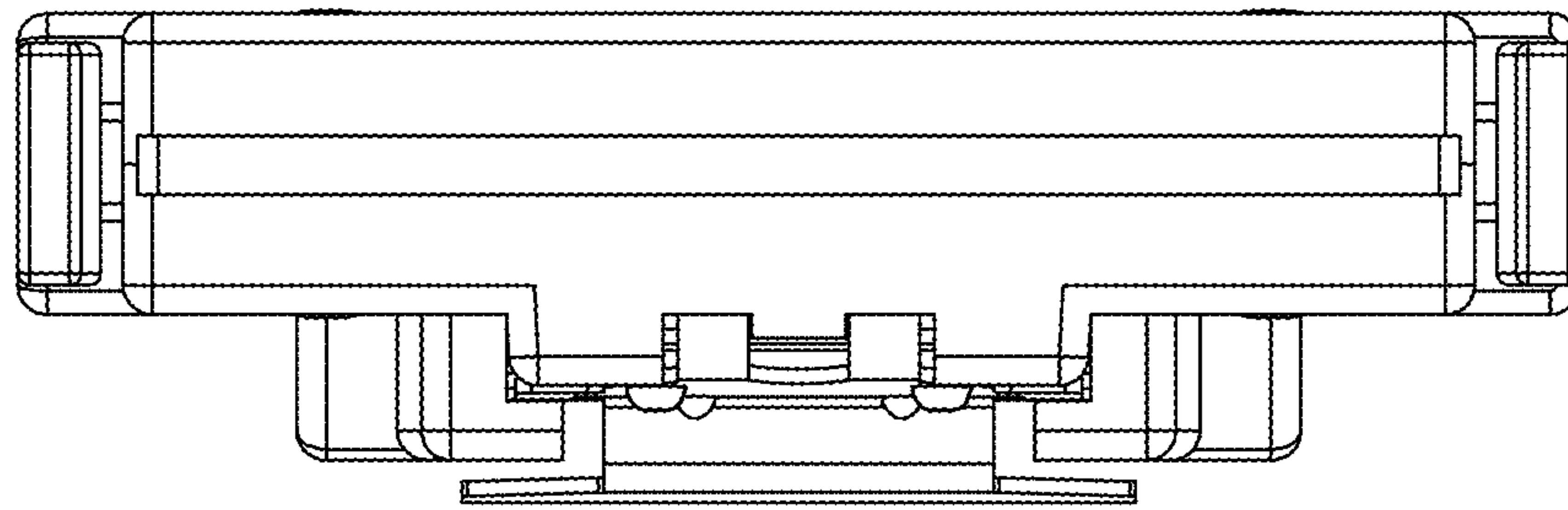


FIG. 7

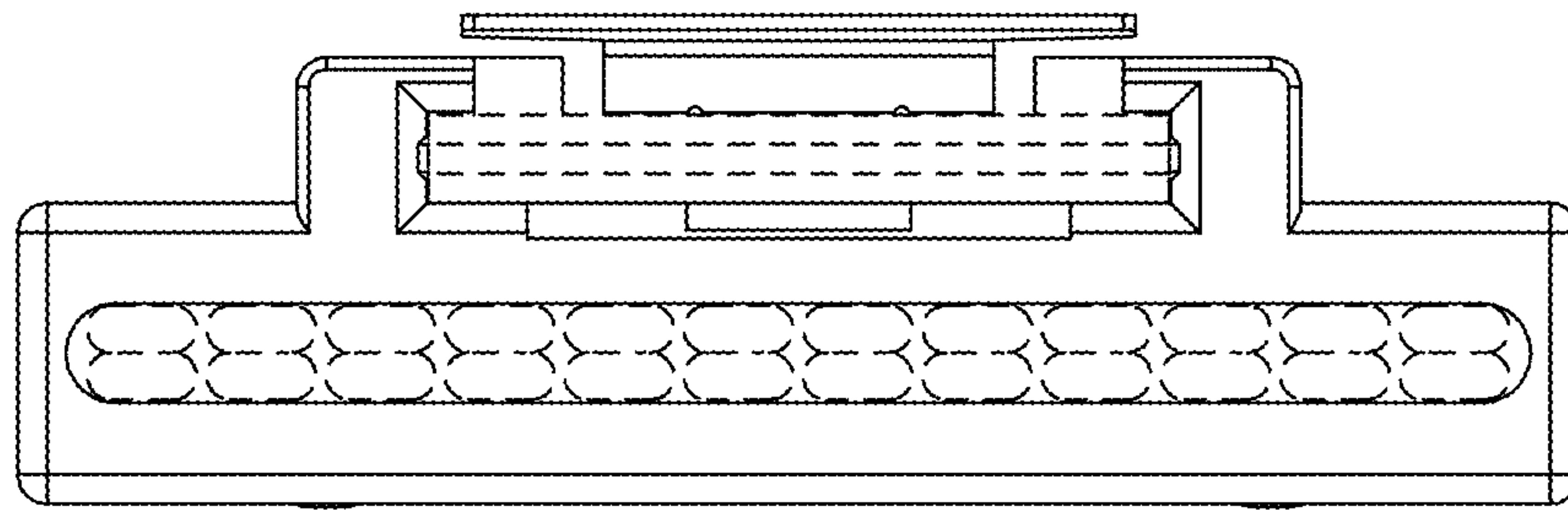


FIG. 8