



US00D986182S

(12) **United States Design Patent**
Liu

(10) **Patent No.:** **US D986,182 S**
(45) **Date of Patent:** **** May 16, 2023**

(54) **SOCKET**

(71) Applicant: **Shenzhen Ouli Technology Co., Ltd.**,
Guangdong (CN)

(72) Inventor: **Song Liu**, Jiangxi (CN)

(**) Term: **15 Years**

(21) Appl. No.: **29/804,126**

(22) Filed: **Aug. 18, 2021**

(30) **Foreign Application Priority Data**

Jun. 1, 2021 (CN) 202130329835.2

(51) **LOC (14) Cl.** **13-03**

(52) **U.S. Cl.**
USPC **D13/137.4**

(58) **Field of Classification Search**
USPC D13/137.1, 137.2, 137.3, 137.4, 138.1,
D13/138.2, 139.1, 139.2, 139.3, 139.4,
(Continued)

(56) **References Cited**

U.S. PATENT DOCUMENTS

D644,180 S * 8/2011 Lee D13/139.8
D673,503 S * 1/2013 Lee D13/139.8
(Continued)

FOREIGN PATENT DOCUMENTS

GB 6090783 * 5/2020
GB 6097887 * 8/2020
GB 6115167 * 9/2020

OTHER PUBLICATIONS

“Power Strip Surge Protector with USB, 8 Widely Outlets 4 USB Ports 5Ft Extension Cord with Flat Plug, 3 Sided Wall Outlets Extender USB Desktop Charging Station for Home Office Travel, 900J, ETL”, first available Nov. 13, 2021. Amazon.com [https://www.amazon.com/dp/B09HXFN9G3] (Year: 2021).*

(Continued)

Primary Examiner — Rosemary K Tarcaza
Assistant Examiner — Seth David Kumpf

(57) **CLAIM**

The ornamental design for a socket, as shown and described.

DESCRIPTION

FIG. 1 is a perspective view of a socket design showing the first embodiment of my new design.

FIG. 2 is a front view of a socket.

FIG. 3 is a rear view of a socket.

FIG. 4 is a left side view of a socket.

FIG. 5 is a right side view of a socket.

FIG. 6 is a top view of a socket.

FIG. 7 is a bottom view of a socket.

FIG. 8 is an enlarged view of a socket taken from the circle part in FIG. 2.

FIG. 9 is an enlarged view of a socket taken from the circle part in FIG. 7.

FIG. 10 is a perspective view of a socket design showing the second embodiment of my design.

FIG. 11 is a front view of FIG. 10.

FIG. 12 is a rear view of FIG. 10.

FIG. 13 is a left side view of FIG. 10.

FIG. 14 is a right side view of FIG. 10.

FIG. 15 is a top view of FIG. 10.

FIG. 16 is a bottom view of FIG. 10; and,

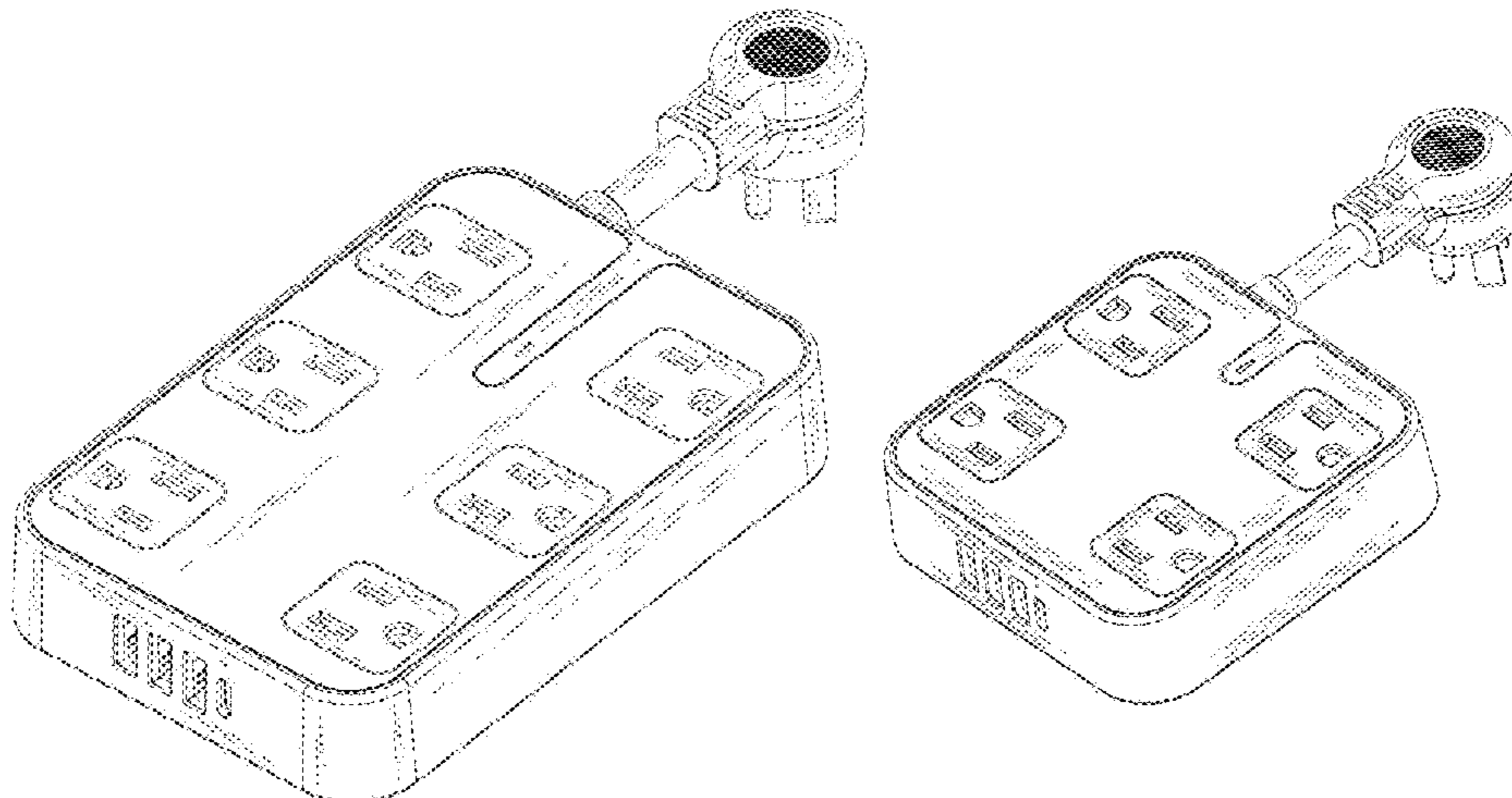
FIG. 17 is an enlarged view of a socket taken from the circle part in FIG. 16.

Any shading and cross-hatching are not features of the design but are utilized to illustrate the surface contours of the bottle cap design in the drawings.

The broken lines shown in the drawings are for the purpose of illustrating portions of the article that form no part of the claimed design.

The broken lines encircling the detailed portions shown in FIGS. 2, 7, 8, 9, 16 and 17 are for the purpose of illustrating the boundaries of the detailed portions, and form no part of the claimed design.

1 Claim, 17 Drawing Sheets



(58) **Field of Classification Search**
 USPC D13/139.5, 139.6, 139.7, 139.8;
 D14/432, 433, 435.1, 438
 CPC H01R 13/20; H01R 13/26; H01R 13/434;
 H01R 13/625; H01R 13/642; H01R
 13/652; H01R 13/11; H01R 13/518;
 H01R 25/003; H01R 25/006; H01R
 43/26; H01H 71/62; H01H 73/14
 See application file for complete search history.

(56) **References Cited**

U.S. PATENT DOCUMENTS

D705,732 S	*	5/2014	Lee	D13/137.2
D770,976 S	*	11/2016	Xu	D13/110
D796,445 S	*	9/2017	Xu	D13/139.6
D807,827 S		1/2018	Lu		
D807,828 S		1/2018	Xu		
D862,388 S		10/2019	Qiu et al.		
D871,344 S	*	12/2019	Lyu	D13/139.8
D878,299 S	*	3/2020	Lyu	D13/139.8
D878,300 S	*	3/2020	Lyu	D13/139.8
D881,809 S	*	4/2020	Lyu	D13/137.2
D881,821 S	*	4/2020	Lyu	D13/139.8
D886,742 S	*	6/2020	Lyu	D13/137.2
D894,837 S		9/2020	Chen		
D894,838 S		9/2020	Chen		
D895,554 S		9/2020	Jianting		
D899,374 S		10/2020	Amoss et al.		
D899,375 S	*	10/2020	Bao	D13/137.2
D900,748 S	*	11/2020	Chen	D13/137.2
D908,631 S	*	1/2021	Yu	D13/137.2
D909,305 S		2/2021	Shaopeng		

D922,953 S	*	6/2021	Mei	D13/139.8
D922,954 S	*	6/2021	Mei	D13/139.8
D922,955 S	*	6/2021	Chen	D13/139.8
D923,576 S		6/2021	Lyu et al.		
D924,806 S		7/2021	Li		
D924,809 S	*	7/2021	Chen	D13/137.2
D930,946 S	*	9/2021	Chen	D1/100
D941,774 S	*	1/2022	Tao	D13/139.6
D944,741 S	*	3/2022	Chen	D13/137.2
D947,781 S	*	4/2022	Wei	D13/137.2
D948,451 S	*	4/2022	Wang	D13/139.8
D948,452 S	*	4/2022	Wu	D13/139.8
D954,650 S	*	6/2022	Amoss	D13/137.2
D957,342 S	*	7/2022	Zhou	D13/137.2
D958,082 S	*	7/2022	Lin	D13/139.7

OTHER PUBLICATIONS

“Power Strip with 3 USB Ports, Tessan 5 ft Extension Cord Flat Plug with 4 Outlets, Overload Protection Indoor Desk Charging Station, Mountable Compact for Travel, Cruise Ship, and Dorm Essentials”, first available Oct. 30, 2019. Amazon.com [https://www.amazon.com/dp/B07ZRDGF6Y] (Year: 2019).*

“Power Strip with USB, Tessan Flat Plug Extension Cord Wall Mountable, Small Compact Size for Home Office, Gray”, first available Nov. 19, 2021. Amazon.com [https://www.amazon.com/dp/B09M89L9FT] (Year: 2021).*

“Surge Protector Power Strip, Hanycony 8 Wide Outlets with 4 USB Charging Ports, 3 Side Outlet Extender with 5Ft Braided Extension Cord, Flat Plug, Wall Mount, Desk Charging Station for Home Office ETL”, first available May 31, 2021. Amazon.com [https://www.amazon.com/dp/B092J8LPWR] (Year: 2021).*

* cited by examiner

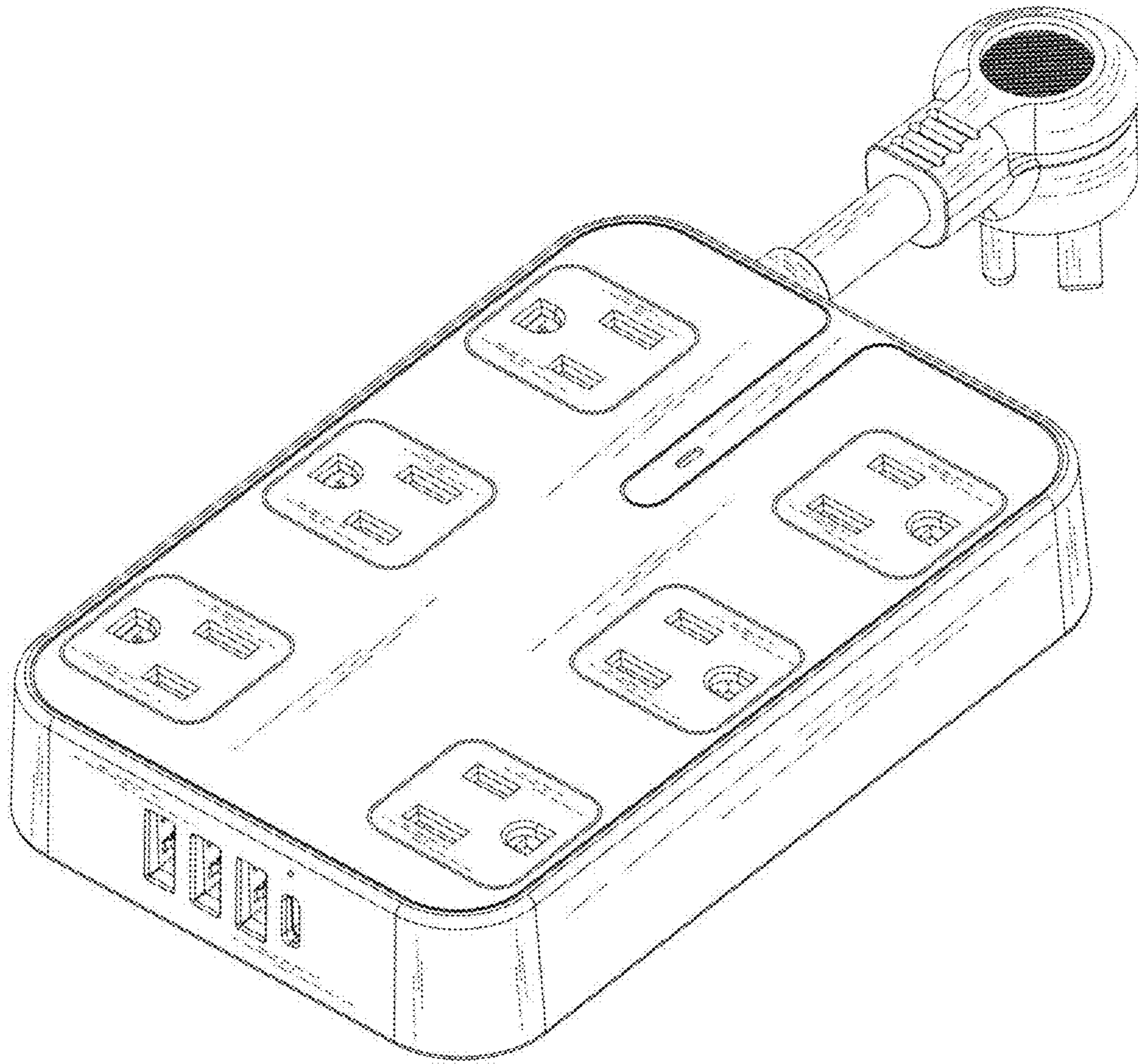


FIG. 1

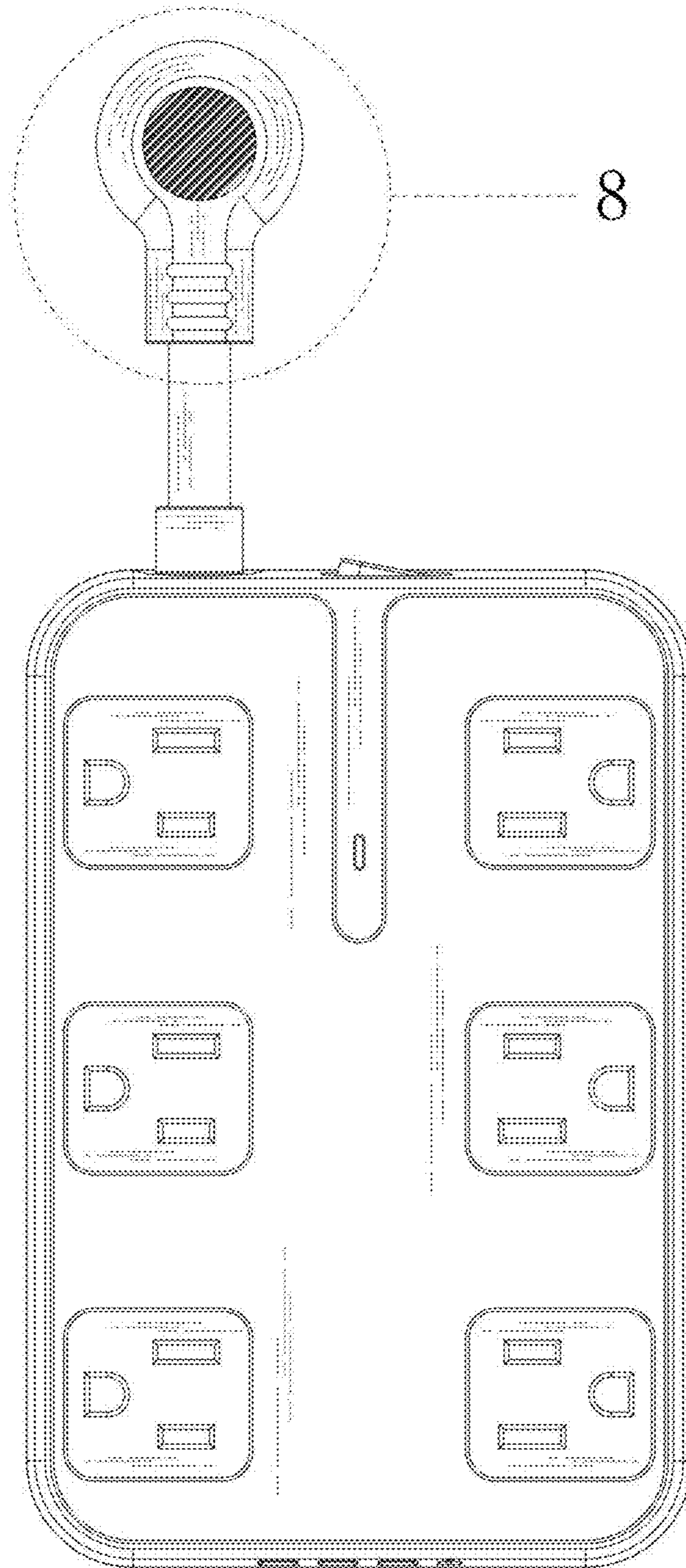


FIG. 2

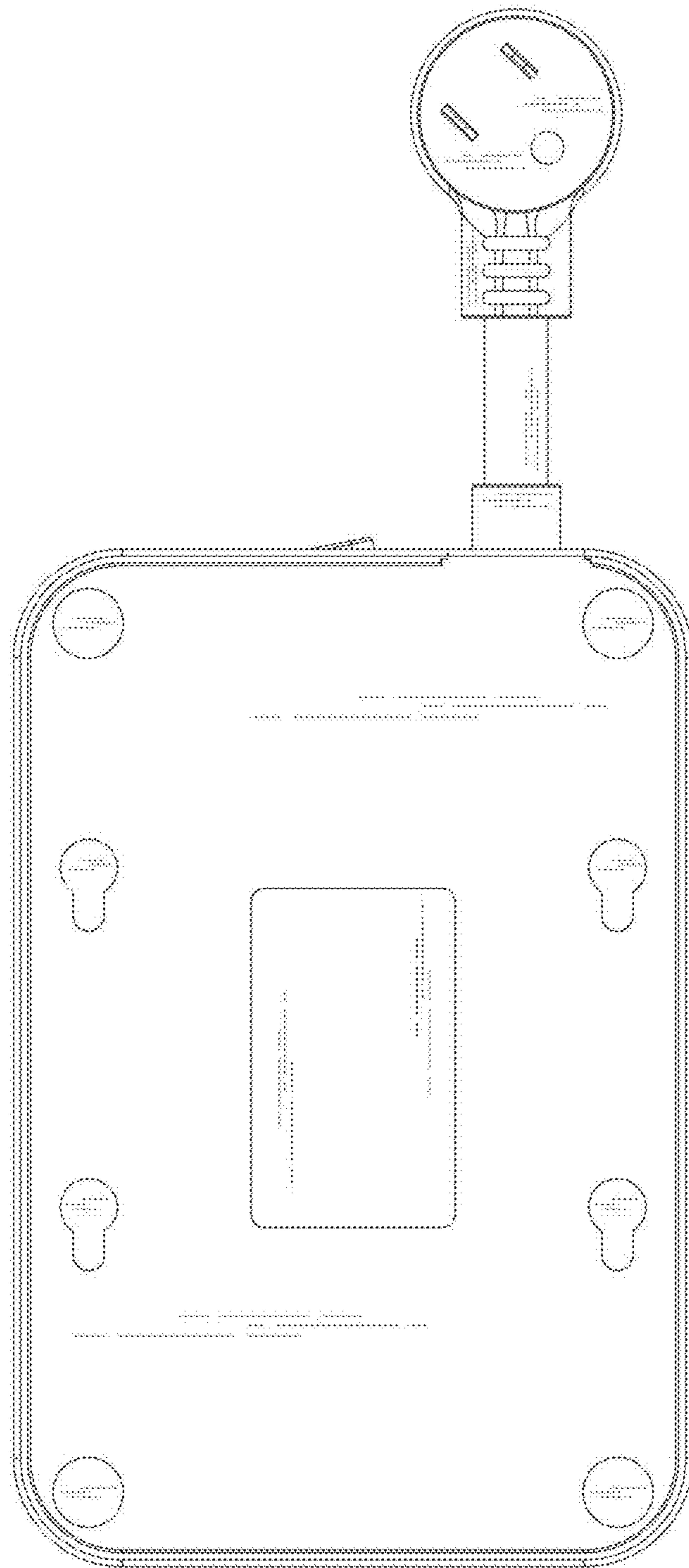


FIG. 3

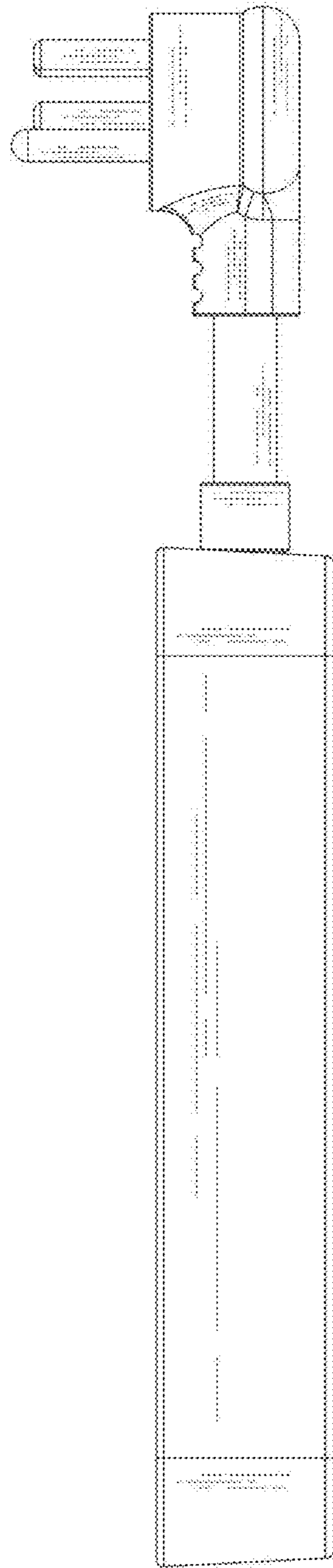


FIG. 4

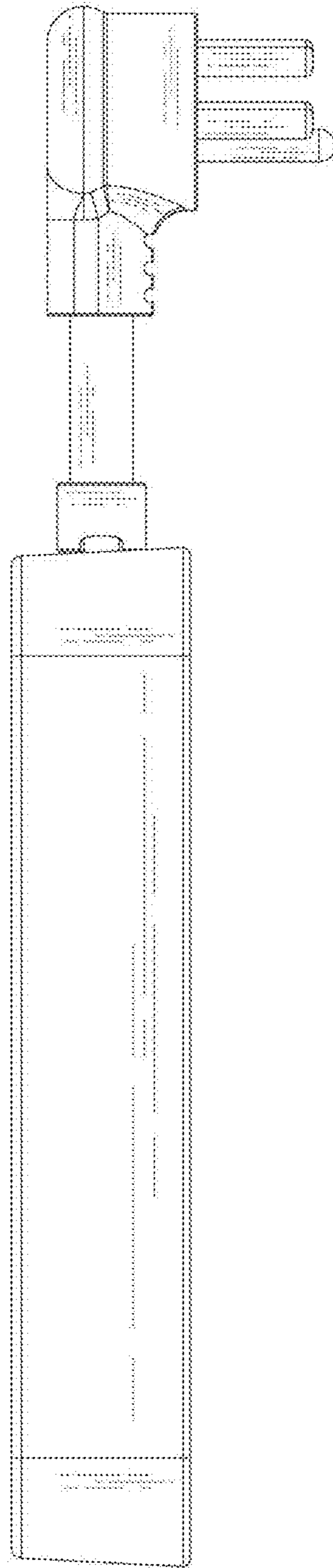


FIG. 5

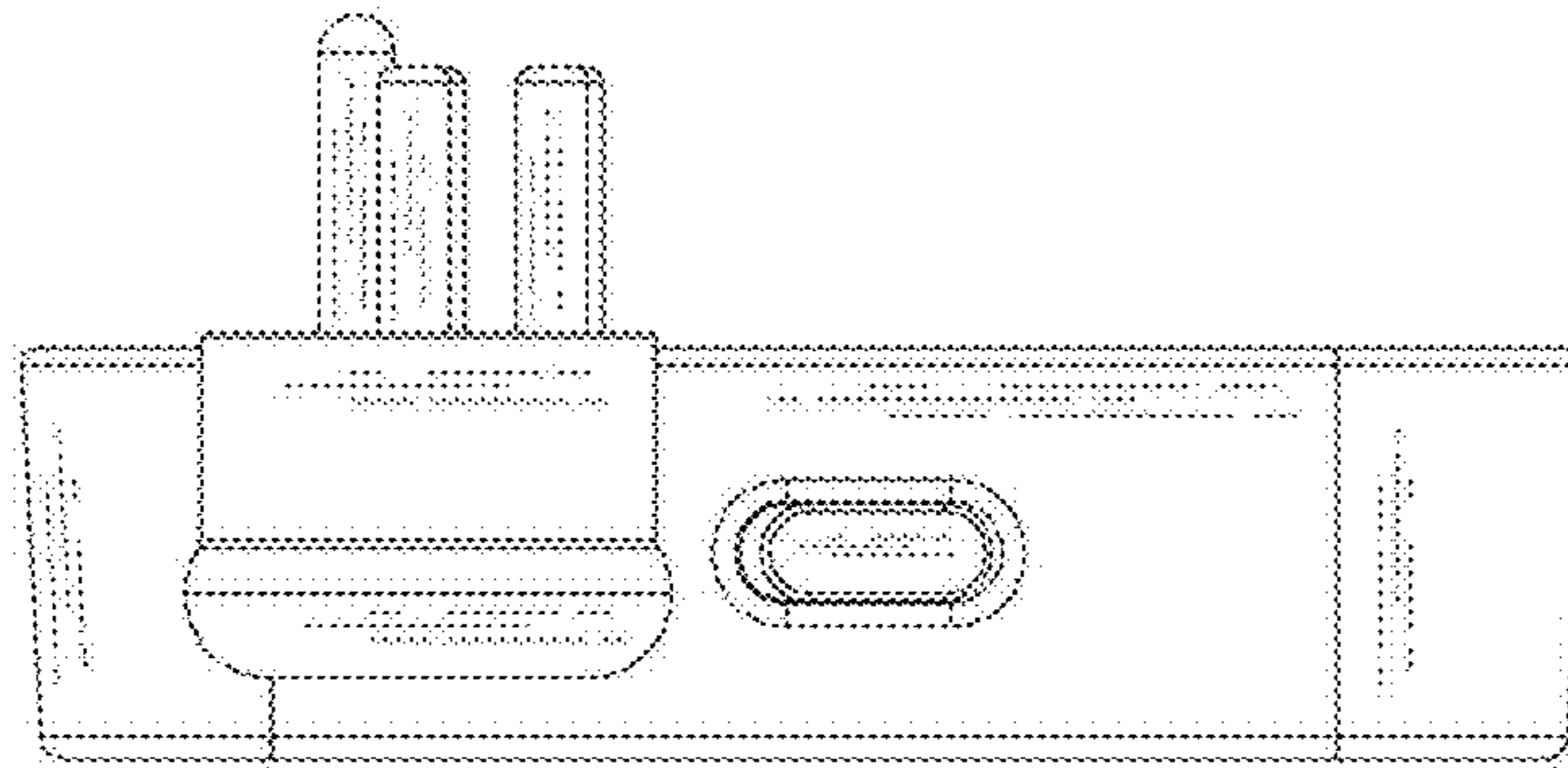


FIG. 6

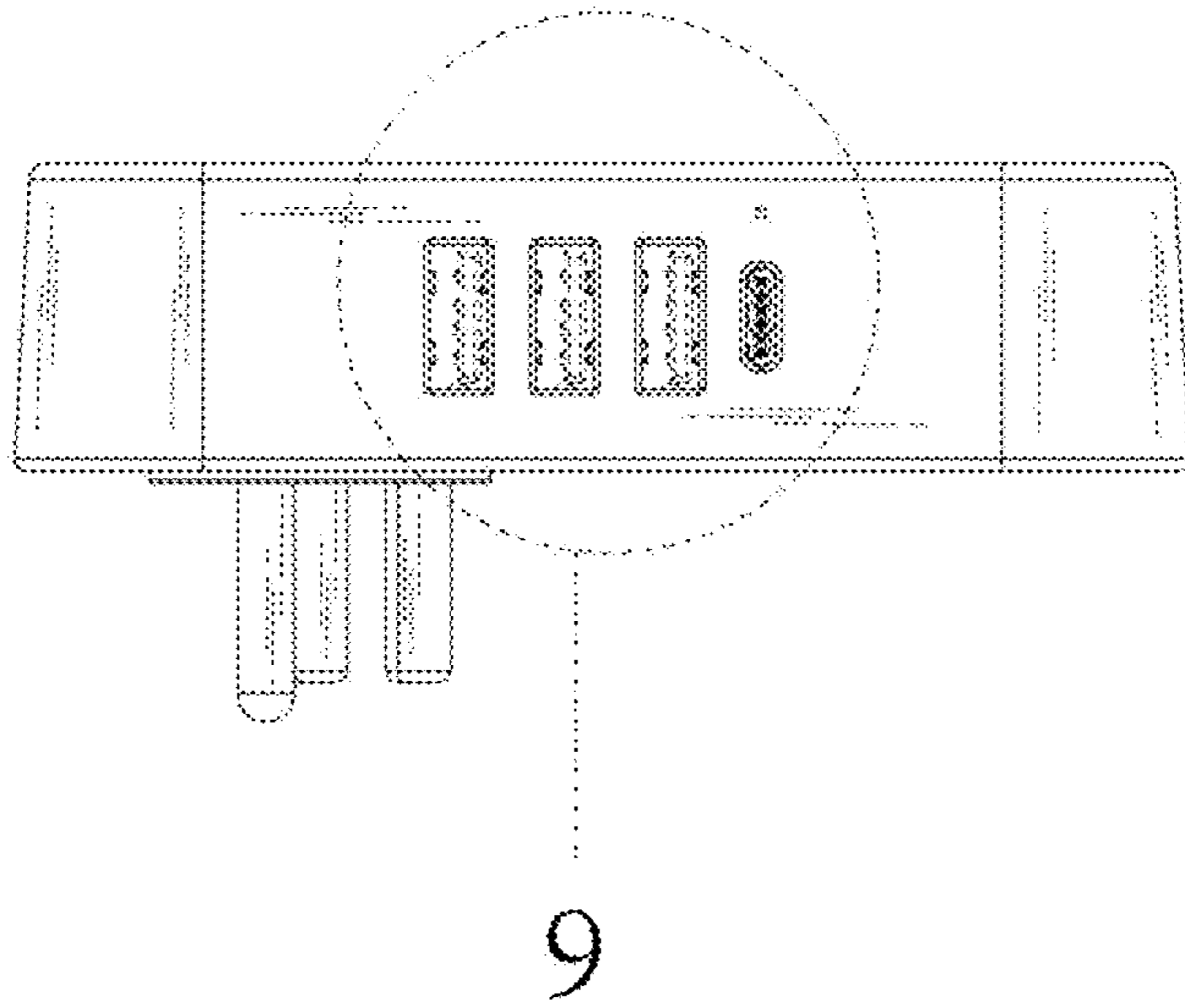


FIG. 7

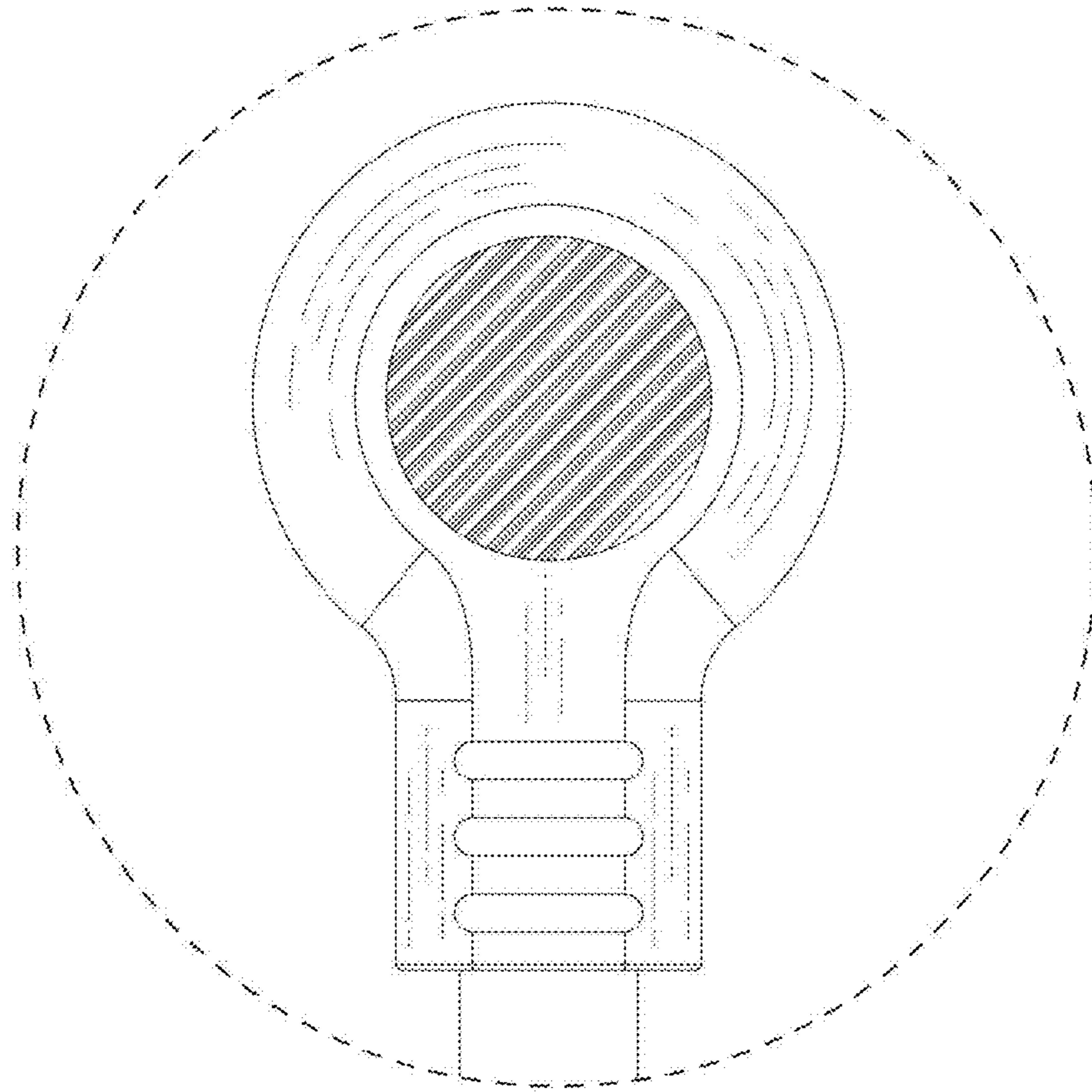


FIG. 8

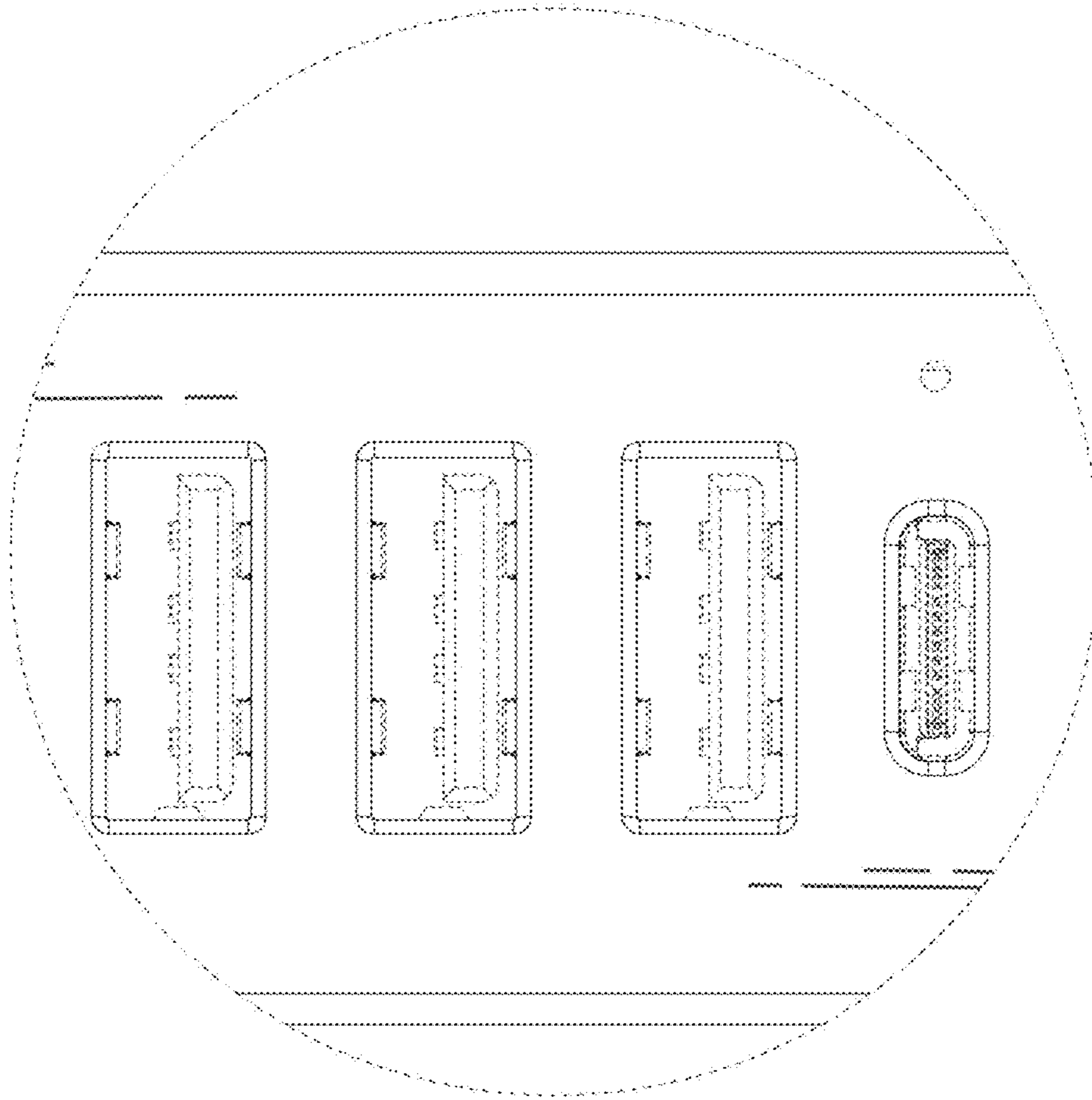


FIG. 9

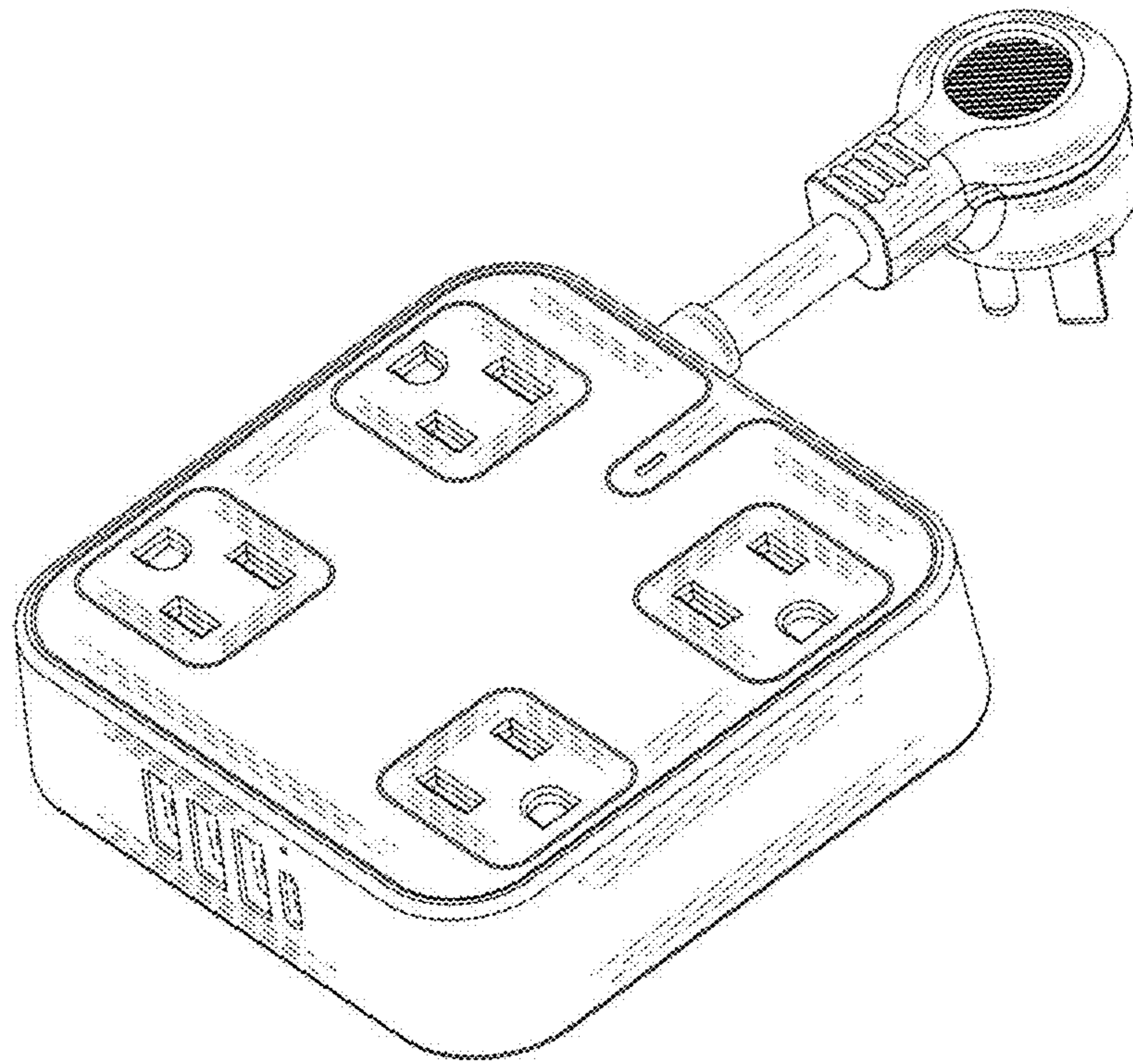


FIG. 10

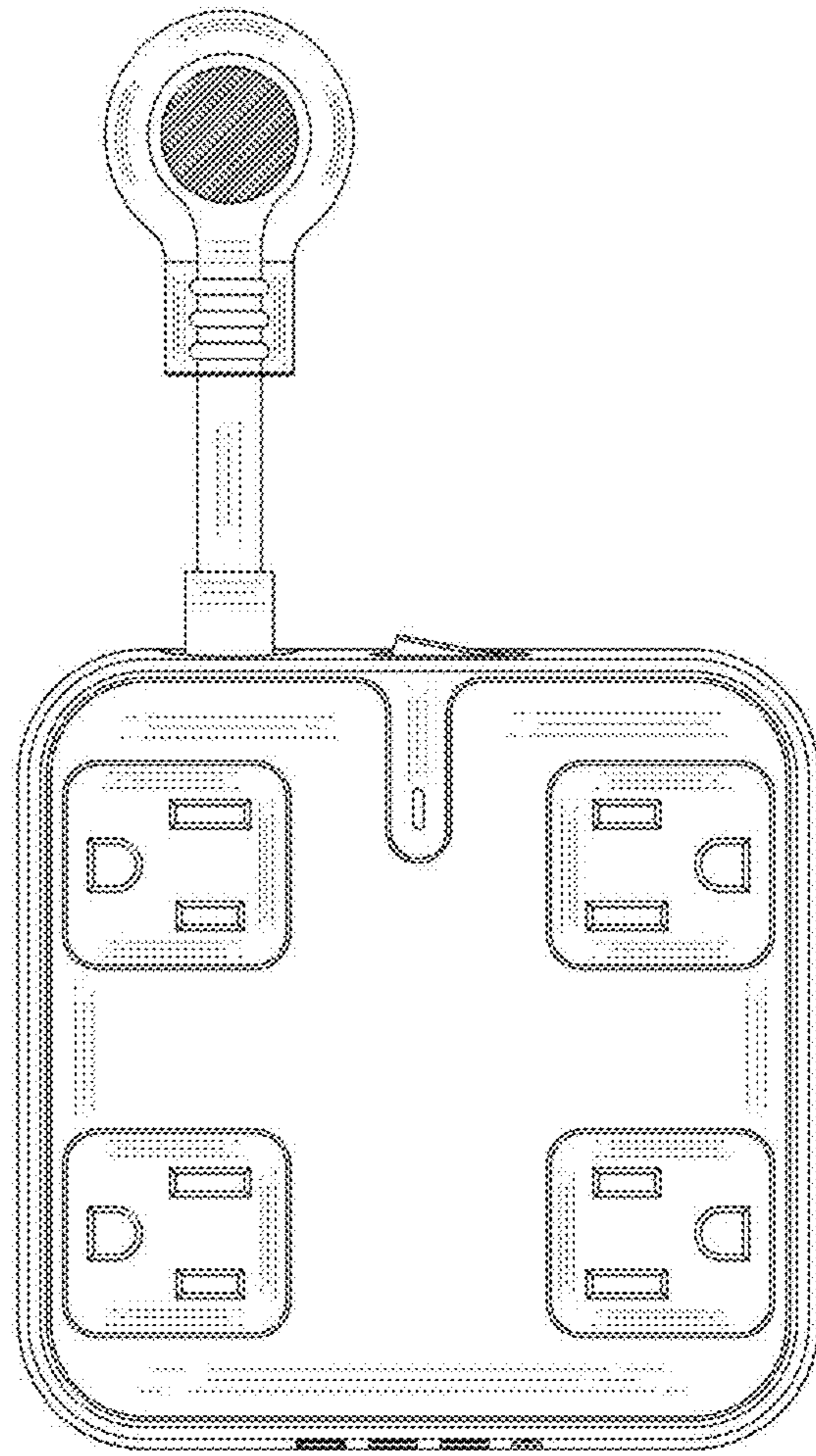


FIG. 11

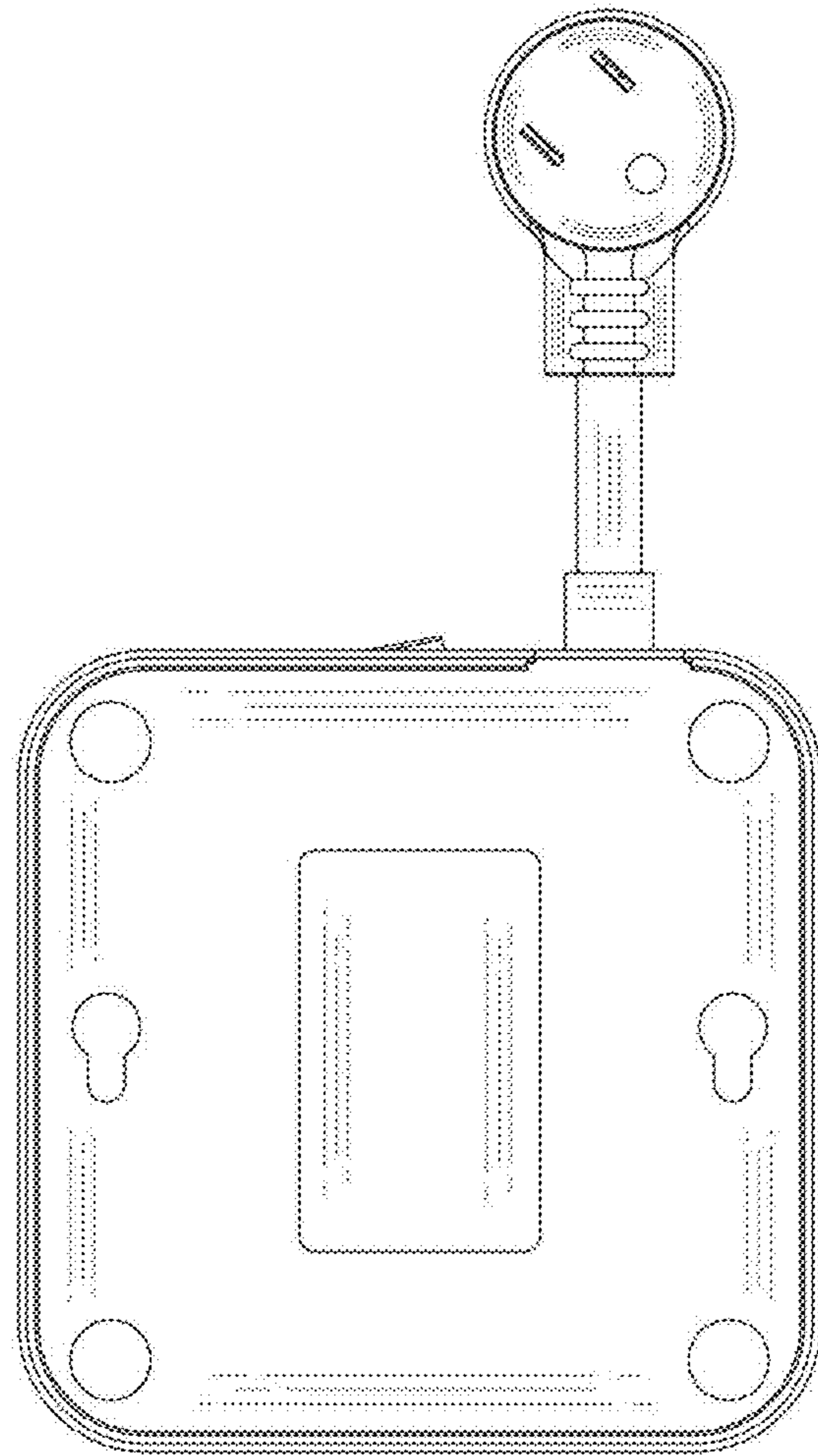


FIG. 12

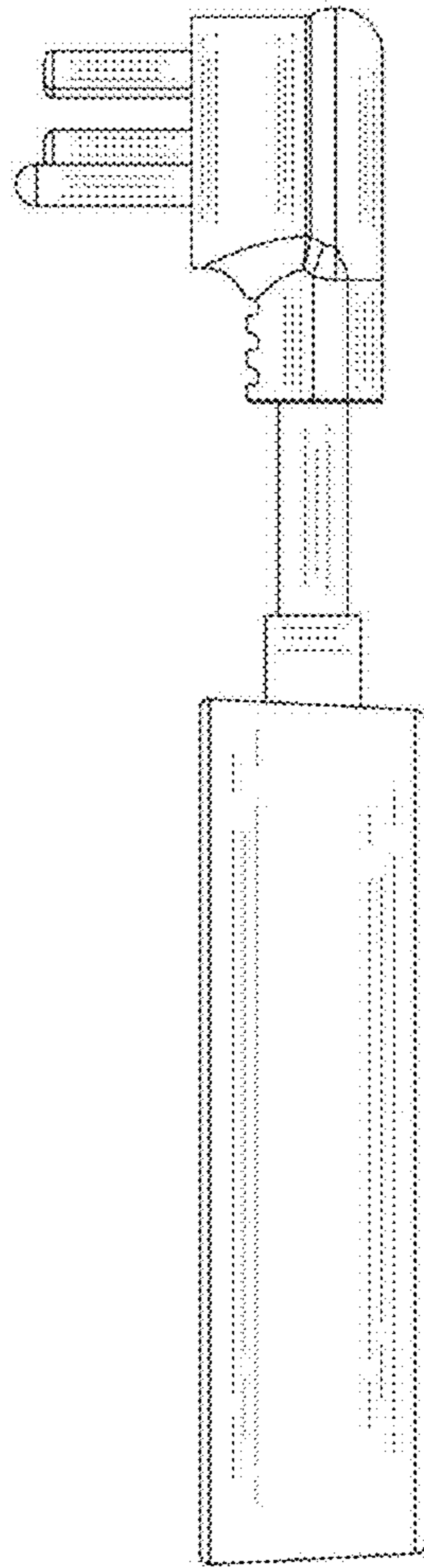


FIG. 13

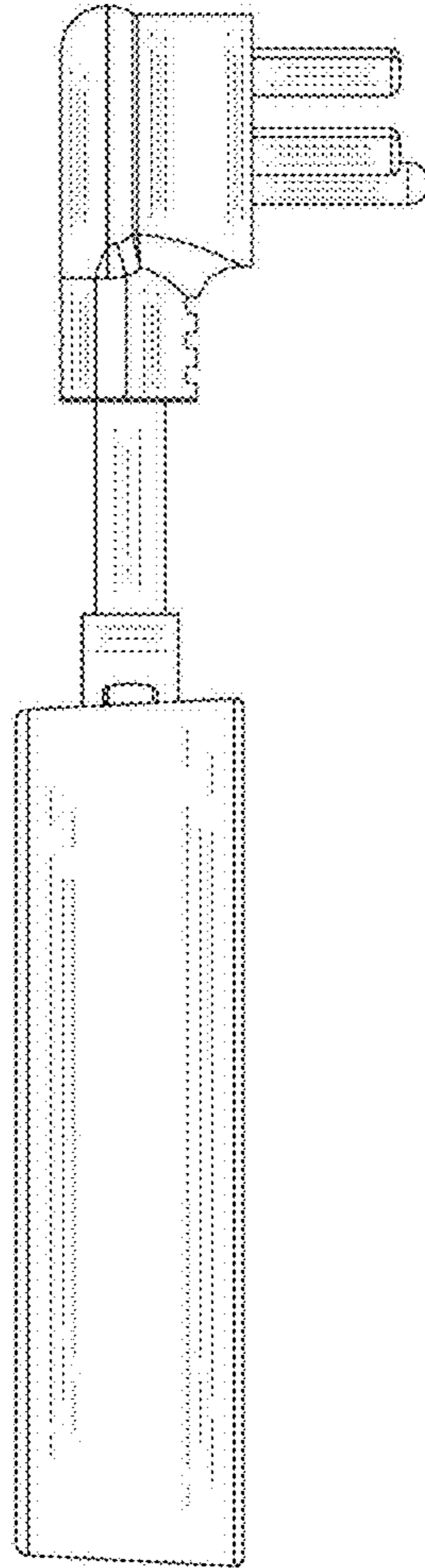


FIG. 14

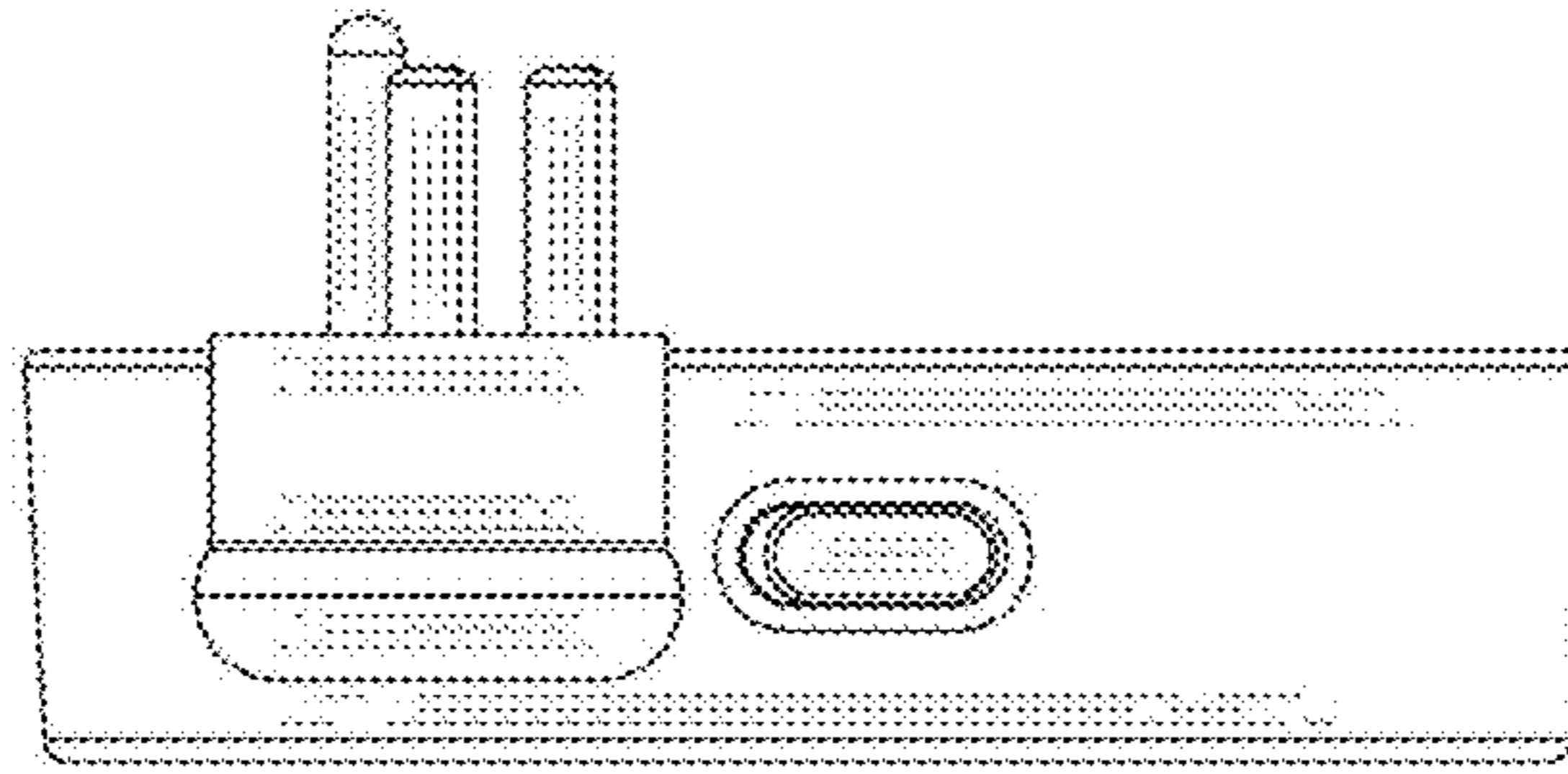


FIG. 15

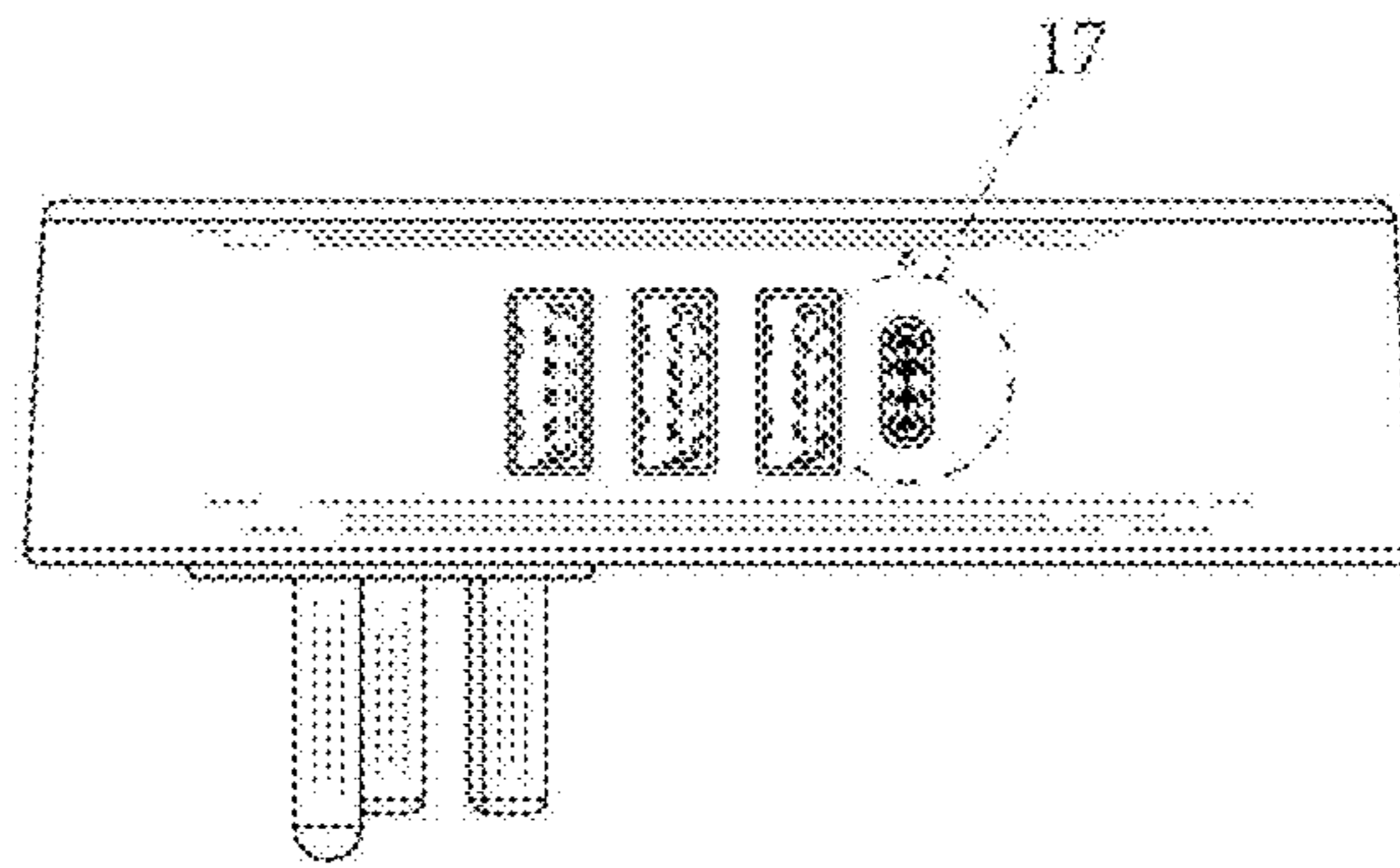


FIG. 16

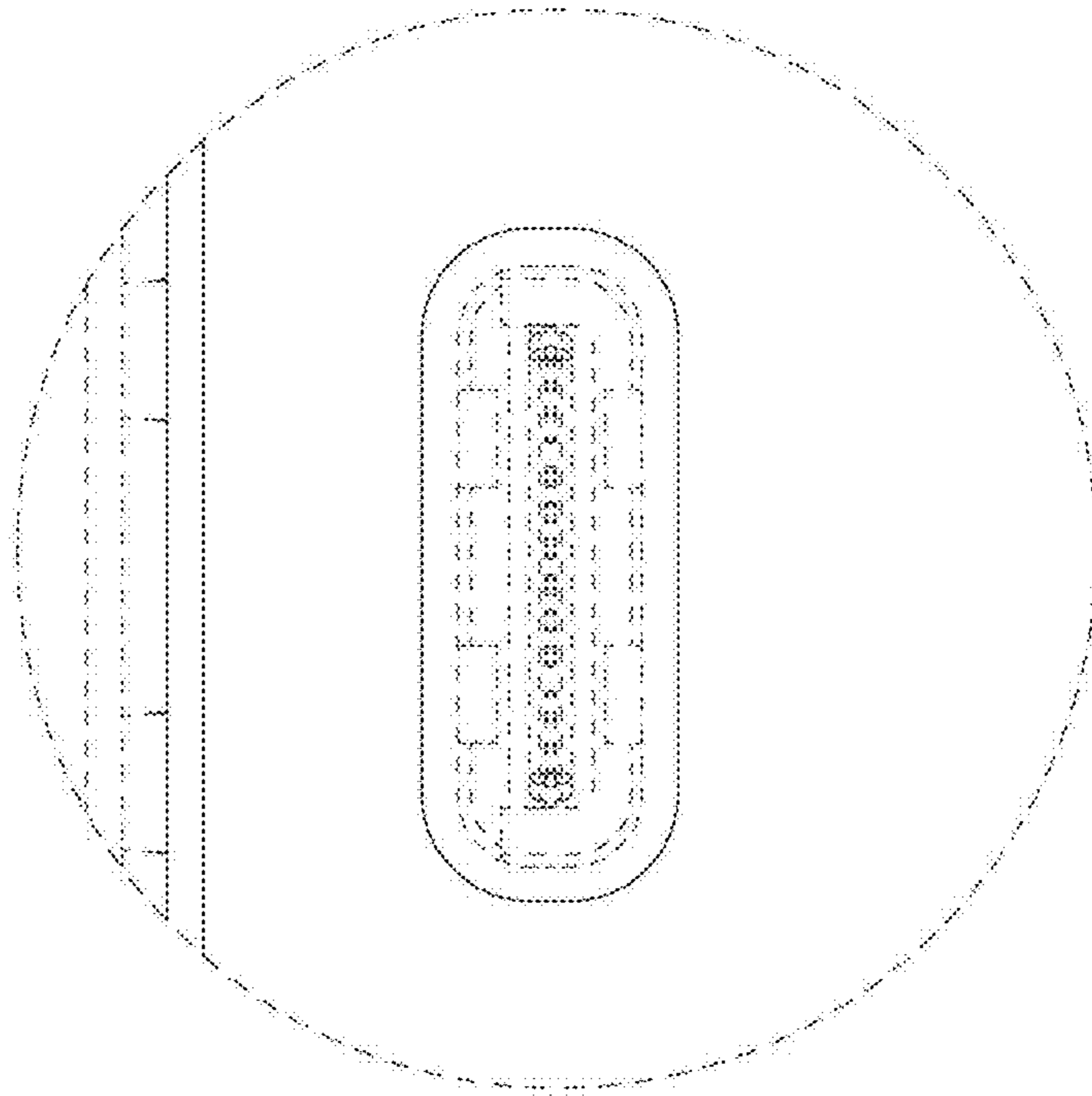


FIG. 17