



US00D986181S

(12) **United States Design Patent** (10) **Patent No.:** **US D986,181 S**  
**Bordewyk et al.** (45) **Date of Patent:** **\*\* May 16, 2023**

(54) **POWER RECEPTACLE**

(71) Applicant: **Light Corp Inc.**, Grand Haven, MI (US)

(72) Inventors: **Joshua A. Bordewyk**, Grand Haven, MI (US); **Nicholas B. Masters**, Grand Rapids, MI (US); **Mitchell R. Brush**, Spring Lake, MI (US); **Gregory Swears**, Nunica, MI (US); **Justin Champaign**, Charlotte, NC (US)

(73) Assignee: **Light Corp Inc.**, Grand Haven, MI (US)

(\*\*) Term: **15 Years**

(21) Appl. No.: **29/794,735**

(22) Filed: **Jun. 15, 2021**

(51) **LOC (14) Cl.** ..... **13-03**

(52) **U.S. Cl.**  
USPC ..... **D13/137.4**

(58) **Field of Classification Search**  
USPC ..... D13/137.1, 137.2, 137.3, 137.4, 138.1, D13/138.2, 139.1, 139.2, 139.3, 139.4, D13/139.5, 139.6, 139.7, 139.8

(Continued)

(56) **References Cited**

**U.S. PATENT DOCUMENTS**

D256,581 S 8/1980 Bartin  
4,667,460 A 5/1987 Kramer

(Continued)

**FOREIGN PATENT DOCUMENTS**

JP D1525896 \* 6/2015  
JP D1525897 \* 6/2015  
JP D1691056 \* 7/2021

**OTHER PUBLICATIONS**

“Under Desk Power Strip, Adhesive Wall Mount Power Strip with USB, Black Desktop Power Outlets, Removable Mount Multi-

Outlets with 4 USB Ports, Power Socket Connect 4 Plugs for Home Office Reading”, first available Jan. 21, 2019. Amazon.com [https://www.amazon.com/dp/B07N2KD35X] (Year: 2019).\*

(Continued)

*Primary Examiner* — Rosemary K Tarcza

*Assistant Examiner* — Seth David Kumpf

(74) *Attorney, Agent, or Firm* — Bodman PLC

(57) **CLAIM**

We claim the ornamental design for a power receptacle, as shown and described.

**DESCRIPTION**

FIG. 1 is a front, upper perspective view of a power receptacle showing our new design;

FIG. 2 is a front, lower perspective view of the power receptacle of FIG. 1;

FIG. 3 is a rear, upper perspective view of the power receptacle of FIG. 1;

FIG. 4 is a front elevation view of the power receptacle of FIG. 1;

FIG. 5 is a rear elevation view of the power receptacle of FIG. 1;

FIG. 6 is a left side elevation view of the power receptacle of FIG. 1;

FIG. 7 is a right side elevation view of the power receptacle of FIG. 1;

FIG. 8 is a top plan view of the power receptacle of FIG. 1;

FIG. 9 is a bottom plan view of the power receptacle of FIG. 1;

FIG. 10 is a front, upper perspective view of another example of the power receptacle;

FIG. 11 is a front, lower perspective view of the power receptacle of FIG. 10;

FIG. 12 is a rear, upper perspective view of the power receptacle of FIG. 10;

FIG. 13 is a front elevation view of the power receptacle of FIG. 10;

(Continued)

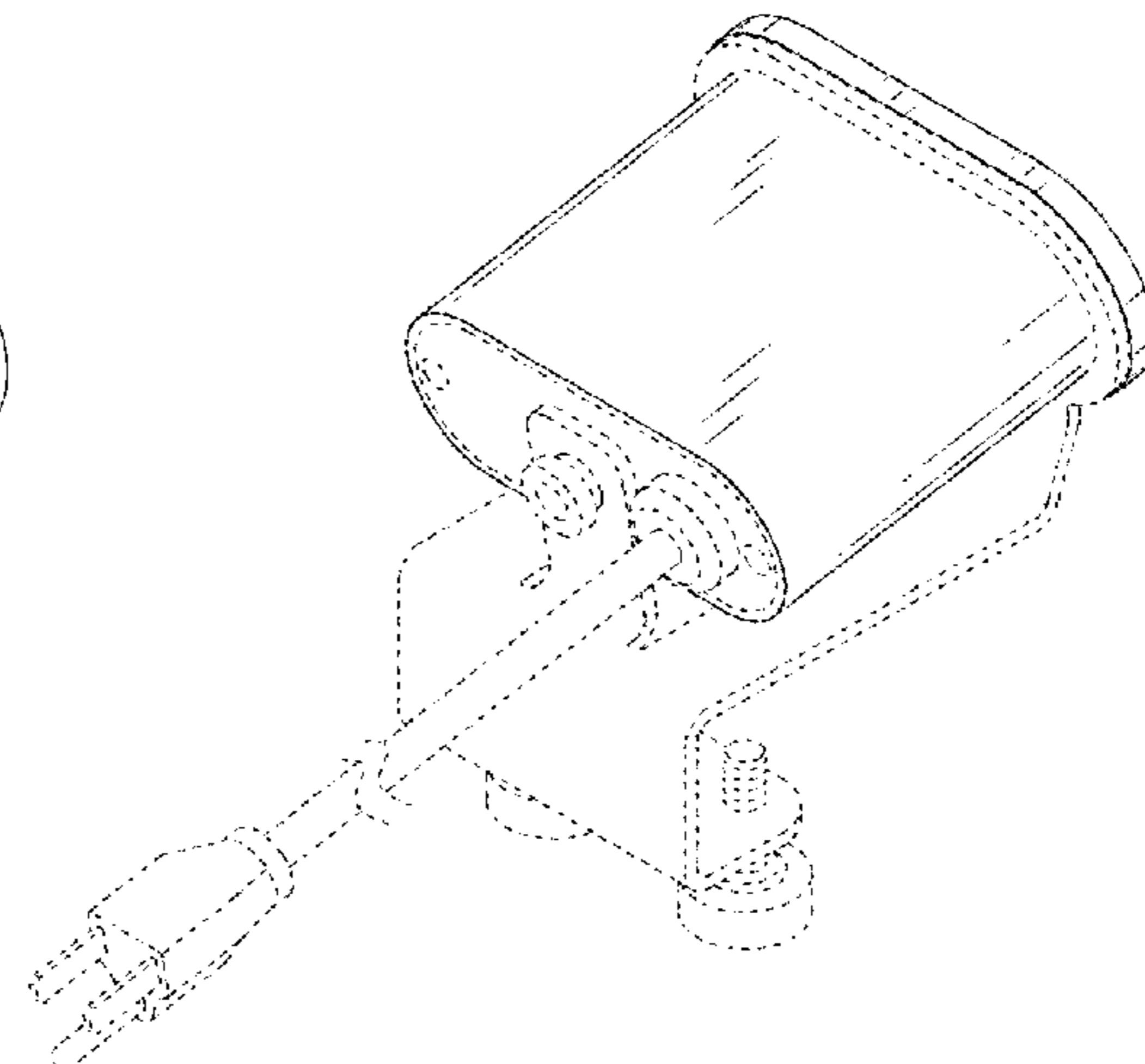
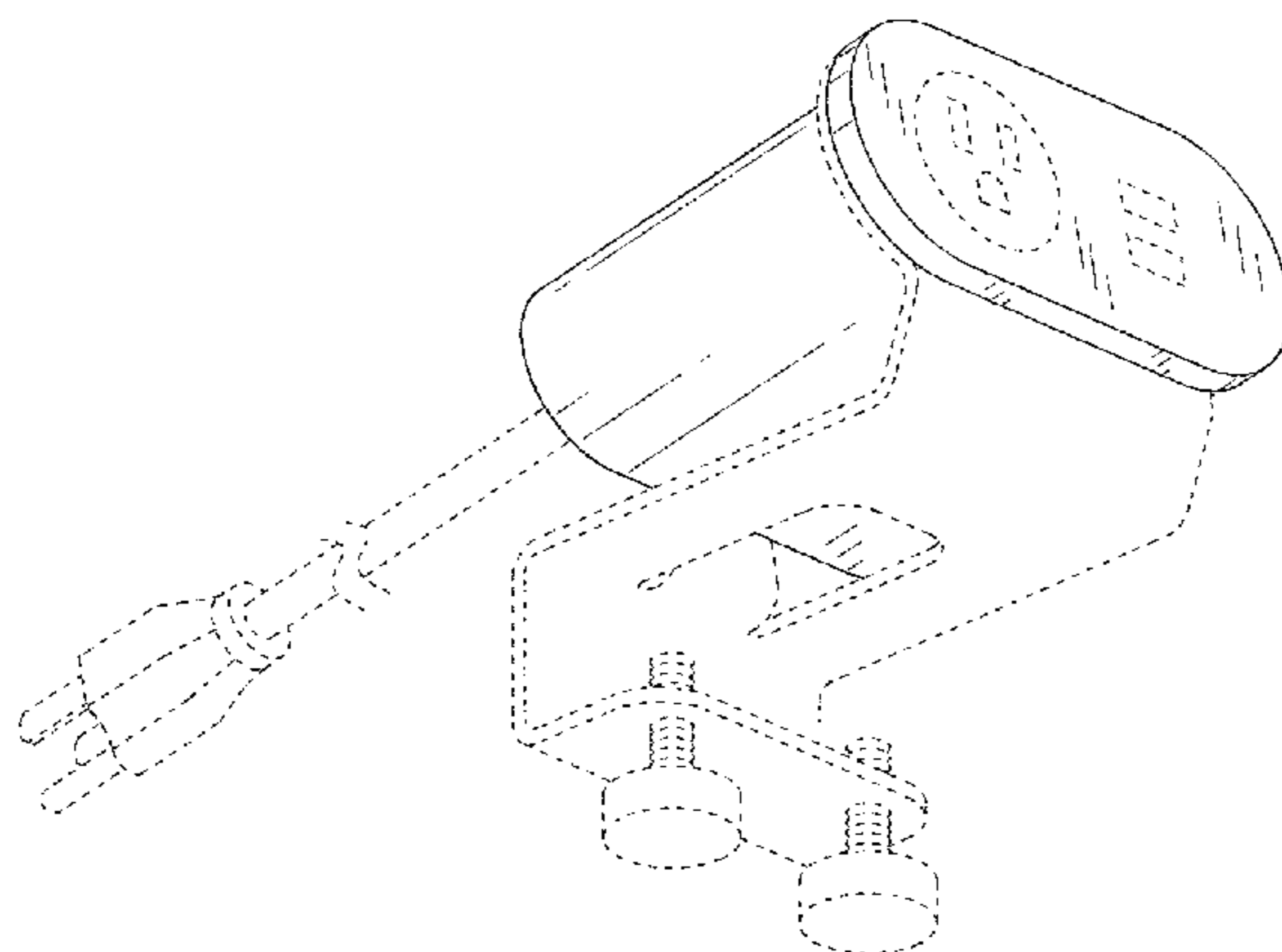


FIG. 14 is a rear elevation view of the power receptacle of FIG. 10;  
 FIG. 15 is a left side elevation view of the power receptacle of FIG. 10;  
 FIG. 16 is a right side elevation view of the power receptacle of FIG. 10;  
 FIG. 17 is a top plan view of the power receptacle of FIG. 10;  
 FIG. 18 is a bottom plan view of the power receptacle of FIG. 10;  
 FIG. 19 is a front, upper perspective view of a further example of the power receptacle;  
 FIG. 20 is a front, lower perspective view of the power receptacle of FIG. 19;  
 FIG. 21 is a rear, upper perspective view of the power receptacle of FIG. 19;  
 FIG. 22 is a front elevation view of the power receptacle of FIG. 19;  
 FIG. 23 is a rear elevation view of the power receptacle of FIG. 19;  
 FIG. 24 is a left side elevation view of the power receptacle of FIG. 19;  
 FIG. 25 is a right side elevation view of the power receptacle of FIG. 19;  
 FIG. 26 is a top plan view of the power receptacle of FIG. 19; and,  
 FIG. 27 is a bottom plan view of the power receptacle of FIG. 19.

In the drawings, the broken lines depict portions of the article that form no part of the claimed design. The flexible power cord of the power receptacle is also shown with break lines illustrated to indicate a symbolic break in the respective length of the design thereof. The appearance of any portion of the article between the break lines forms no part of the claimed design.

**1 Claim, 12 Drawing Sheets**

(58) **Field of Classification Search**

CPC .... H01R 13/11; H01R 13/518; H01R 13/642;  
 H01R 13/652; H01R 25/003; H01R  
 25/006; H01R 43/26; H01H 71/62; H01H  
 73/14

See application file for complete search history.

(56) **References Cited**

U.S. PATENT DOCUMENTS

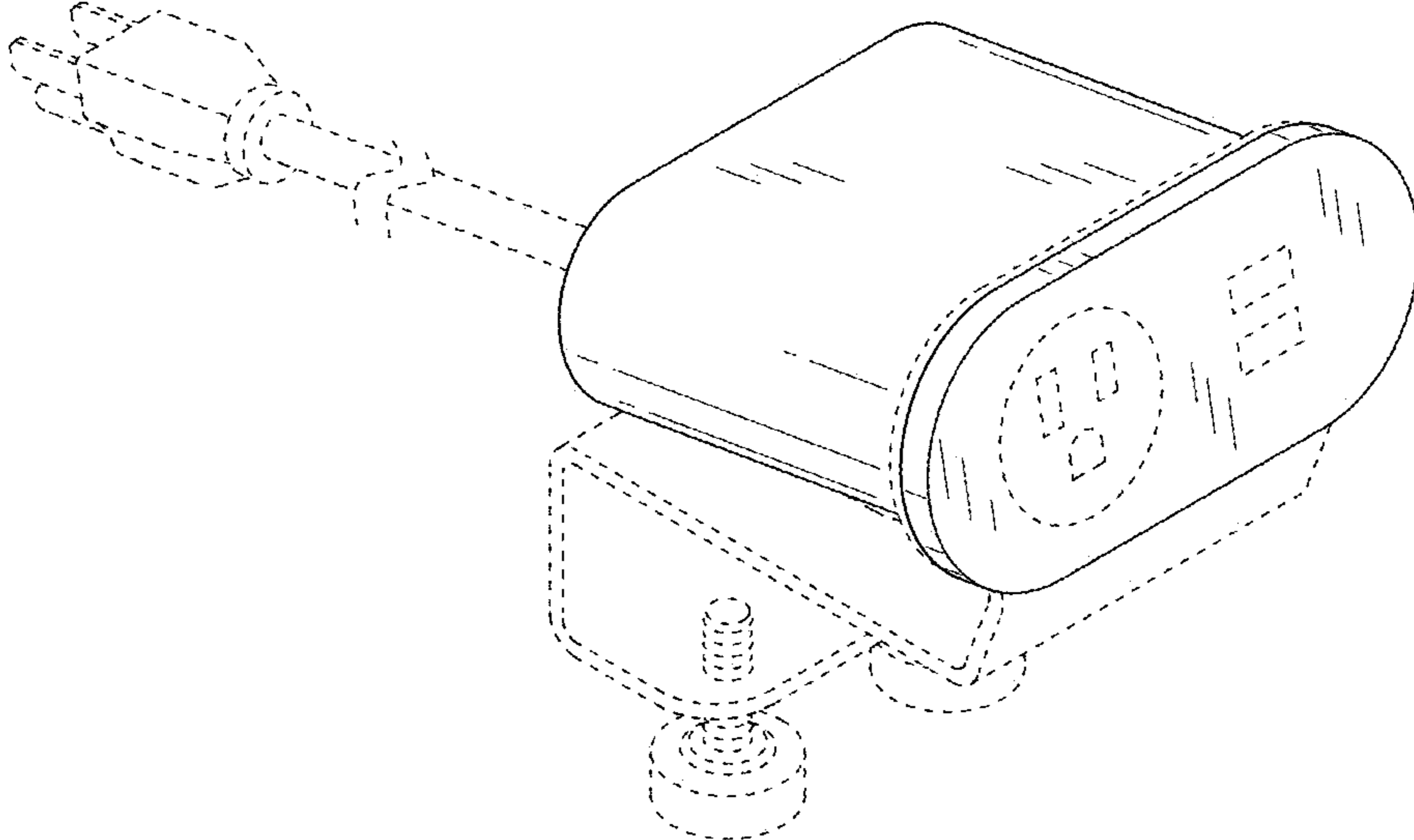
D413,571 S 9/1999 Glass  
 6,004,157 A 12/1999 Glass  
 6,379,182 B1 4/2002 Byrne  
 6,717,053 B2 4/2004 Rupert

6,971,911 B2 12/2005 Ramsey et al.  
 D559,782 S \* 1/2008 Slasinski ..... D13/137.1  
 D579,873 S 11/2008 Gershfeld  
 7,663,866 B2 2/2010 Lee et al.  
 7,688,564 B2 3/2010 Byrne et al.  
 D632,258 S 2/2011 Sumida  
 8,350,406 B2 1/2013 Byrne et al.  
 8,444,432 B2 5/2013 Byrne et al.  
 8,480,429 B2 7/2013 Byrne  
 8,680,709 B2 3/2014 Byrne et al.  
 D721,712 S 1/2015 Byrne et al.  
 D740,228 S 10/2015 Page et al.  
 D740,229 S 10/2015 Page et al.  
 9,288,924 B2 3/2016 Page  
 9,312,673 B2 4/2016 Byrne et al.  
 D755,129 S \* 5/2016 Page ..... D13/139.4  
 9,368,924 B2 6/2016 Byrne et al.  
 D761,732 S 7/2016 Byrne et al.  
 D762,175 S 7/2016 Byrne et al.  
 9,392,869 B2 7/2016 Byrne et al.  
 D788,039 S 5/2017 Page et al.  
 9,710,025 B2 7/2017 Scott et al.  
 D798,818 S 10/2017 Kondas  
 D799,428 S 10/2017 Kondas  
 D801,936 S 11/2017 Rose  
 D801,937 S 11/2017 Rose  
 D804,419 S 12/2017 Hayes et al.  
 D812,009 S 3/2018 Hayes et al.  
 D816,037 S 4/2018 Byrne et al.  
 D821,328 S 6/2018 Byrne et al.  
 D827,579 S 9/2018 Byrne et al.  
 D837,160 S 1/2019 Byrne et al.  
 D840,347 S 2/2019 Byrne et al.  
 D848,371 S 5/2019 Byrne et al.  
 D849,686 S 5/2019 Byrne et al.  
 D856,284 S 8/2019 Byrne et al.  
 D856,937 S 8/2019 Rupert  
 D857,633 S 8/2019 Byrne et al.  
 D869,397 S 12/2019 Hayes et al.  
 D874,404 S 2/2020 Byrne et al.  
 D886,064 S \* 6/2020 Chen ..... D13/139.8  
 D887,363 S 6/2020 Byrne et al.  
 10,811,809 B2 10/2020 Byrne et al.  
 D902,862 S \* 11/2020 Rupert ..... D13/137.1  
 D905,644 S \* 12/2020 Byrne ..... D13/139.4  
 10,873,167 B2 12/2020 Byrne et al.  
 D930,591 S \* 9/2021 Rupert ..... D13/137.1  
 D948,445 S \* 4/2022 Helms ..... D13/137.3  
 D948,446 S \* 4/2022 Helms ..... D13/137.3  
 D948,447 S \* 4/2022 Helms ..... D13/137.3  
 2019/0341712 A1 11/2019 Byrne et al.  
 2020/0028342 A1 1/2020 Byrne et al.  
 2020/0388971 A1 12/2020 Byrne et al.  
 2021/0005989 A1 1/2021 Byrne et al.

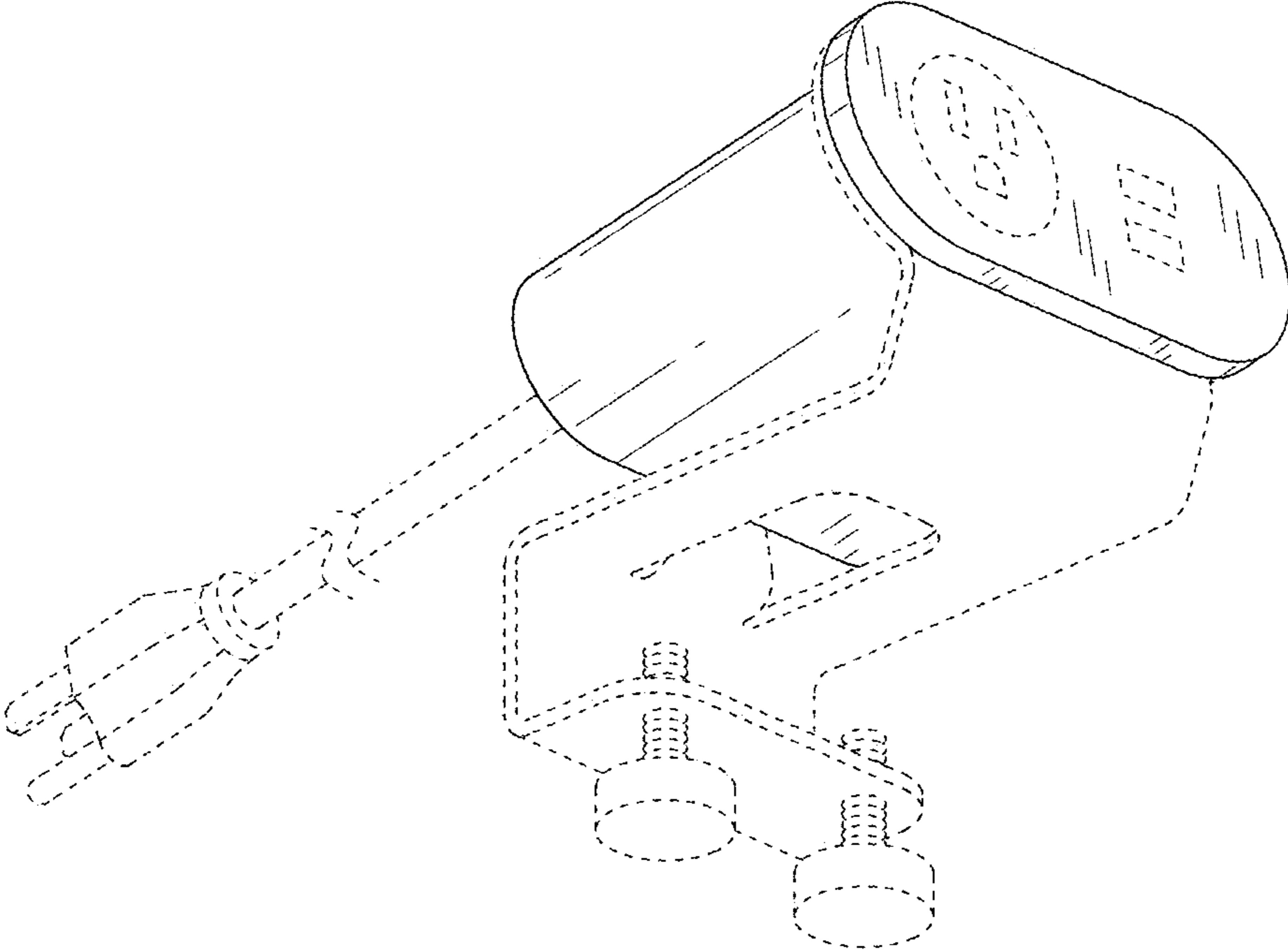
OTHER PUBLICATIONS

“2 outlet, 2 USB-A Smart Plug (OWS221)”, first accessed Jul. 21, 2022. One-Products.com [https://www.one-products.com/products/2-outlet-2-usb-a-smart-plug-ows221] (Year: 2022).\*

\* cited by examiner



**FIG. 1**



**FIG. 2**



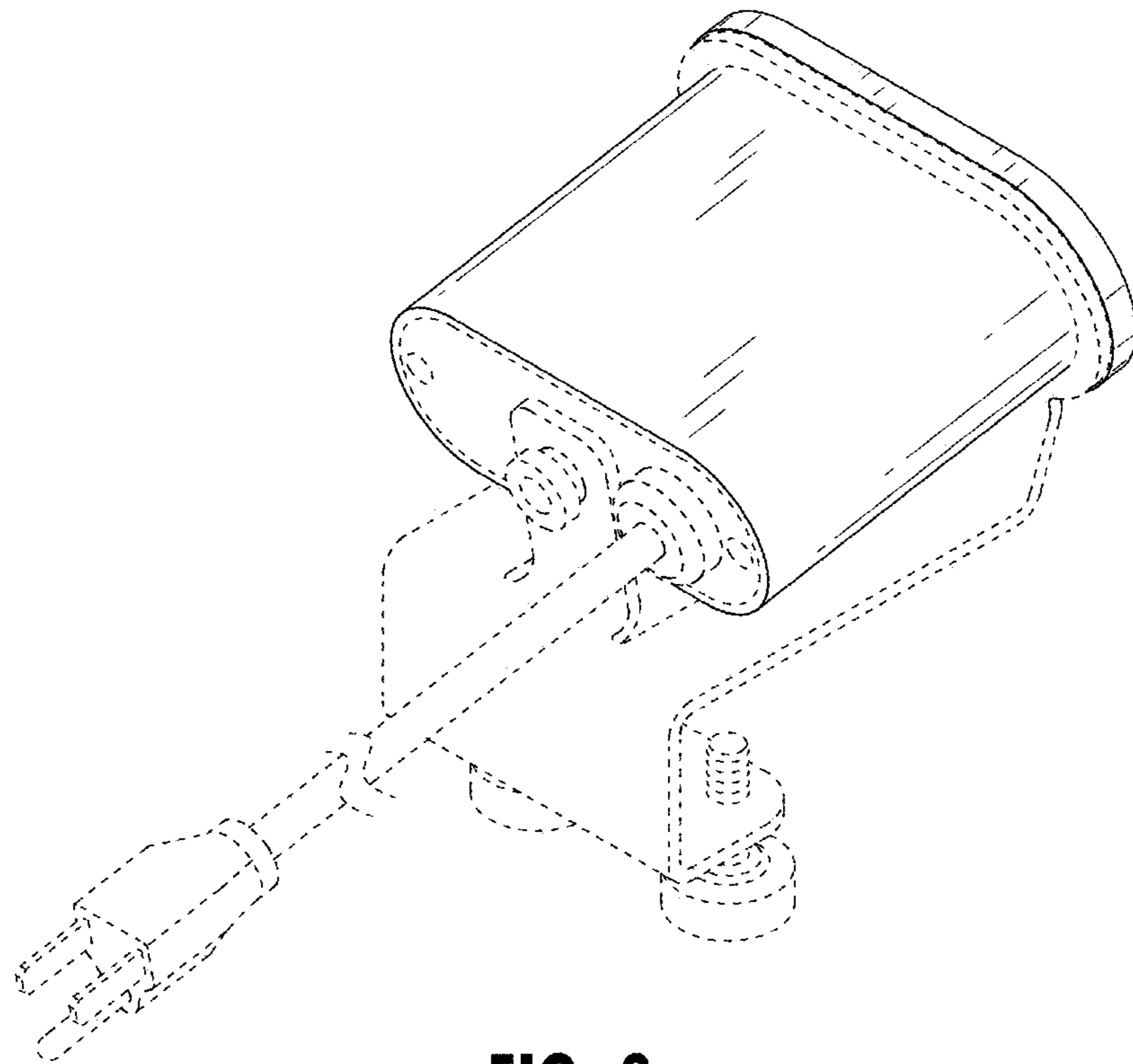


FIG. 3

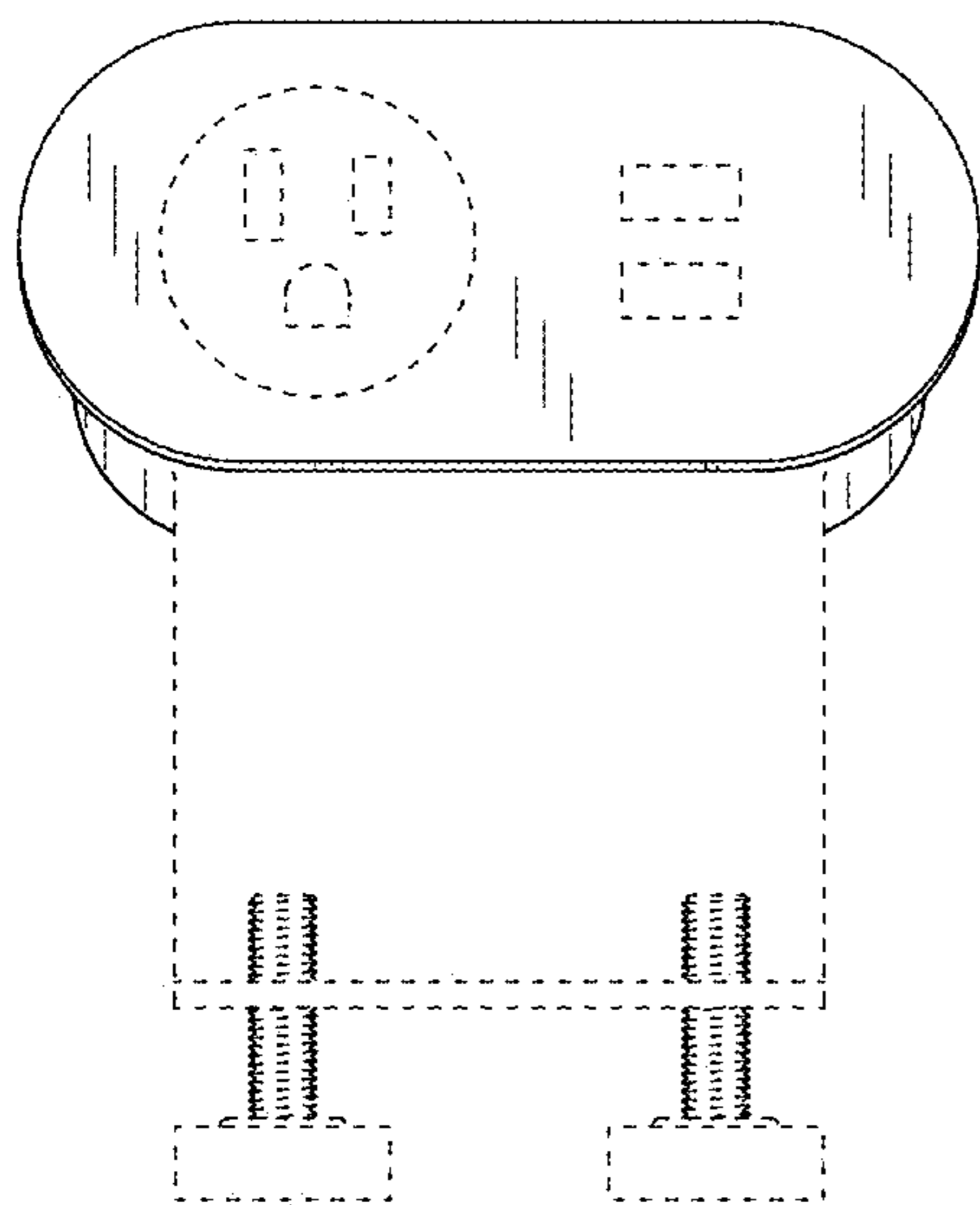


FIG. 4

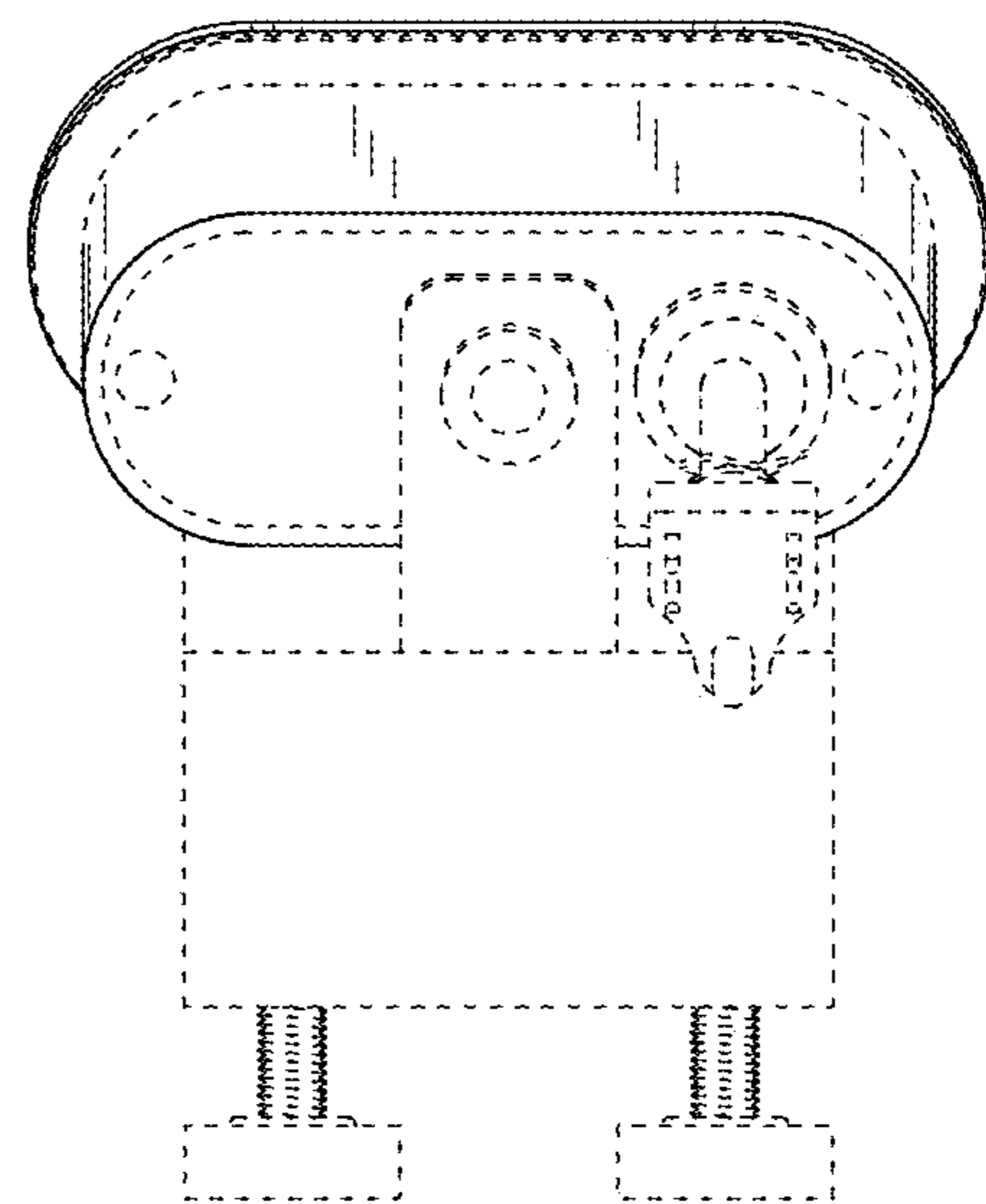
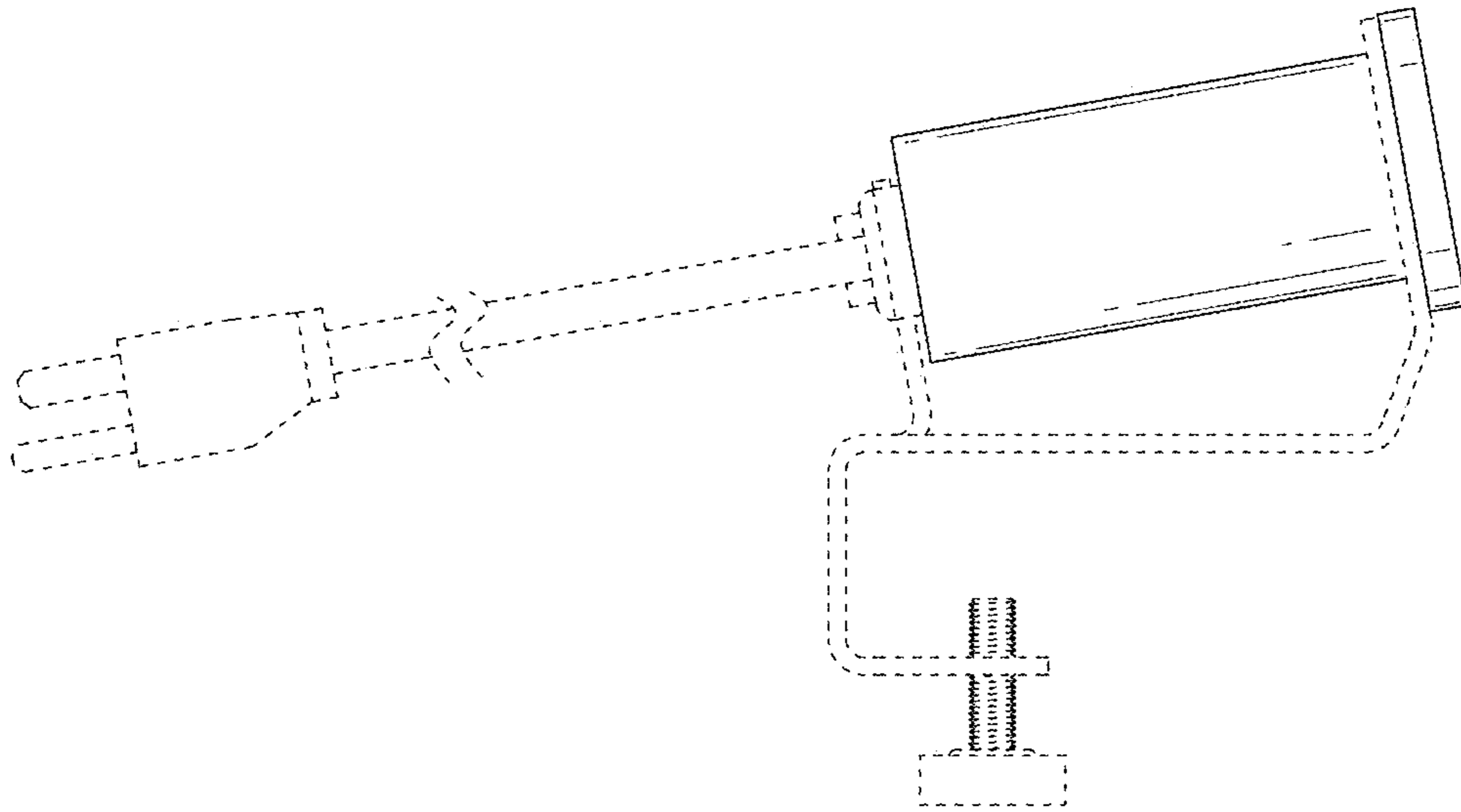
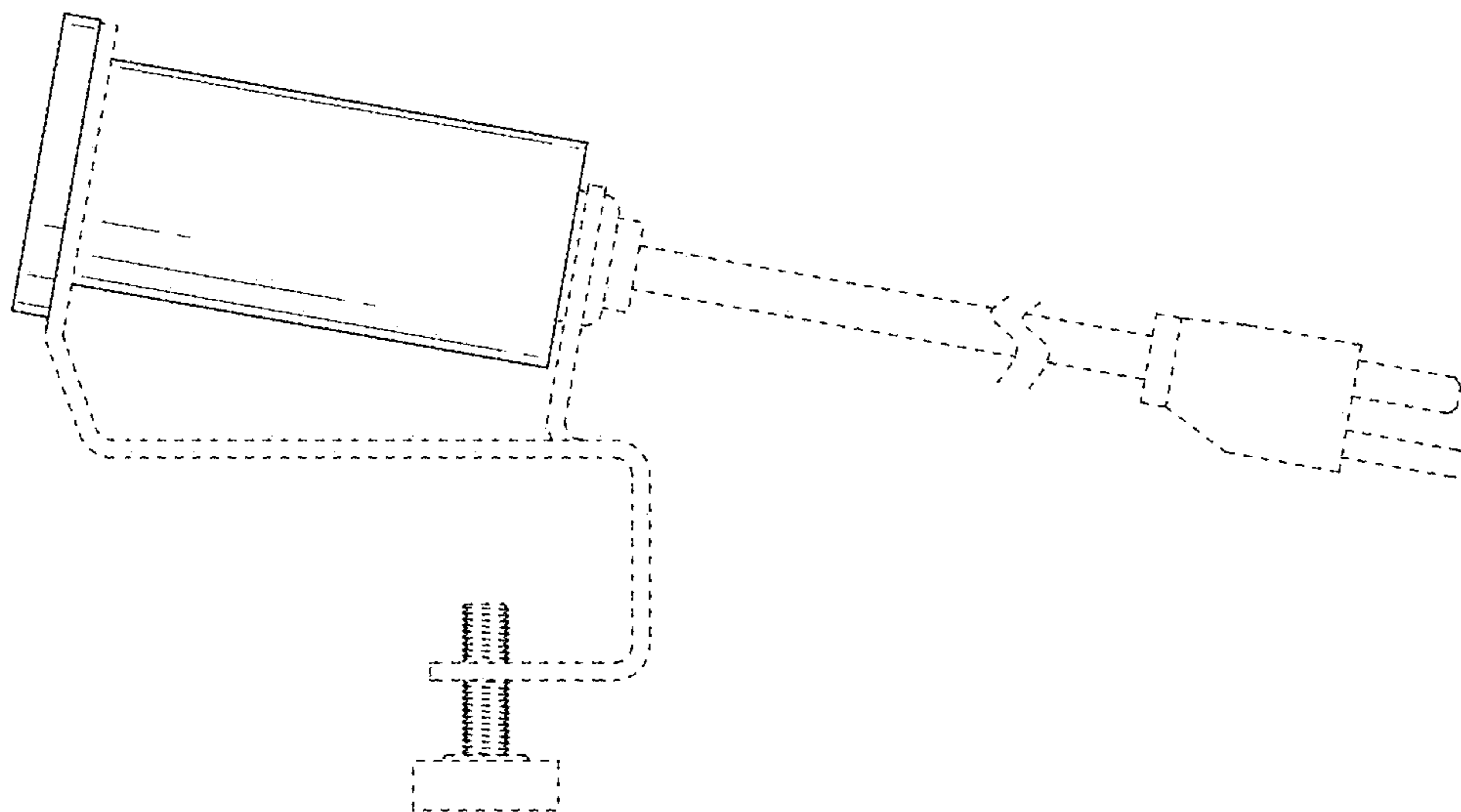


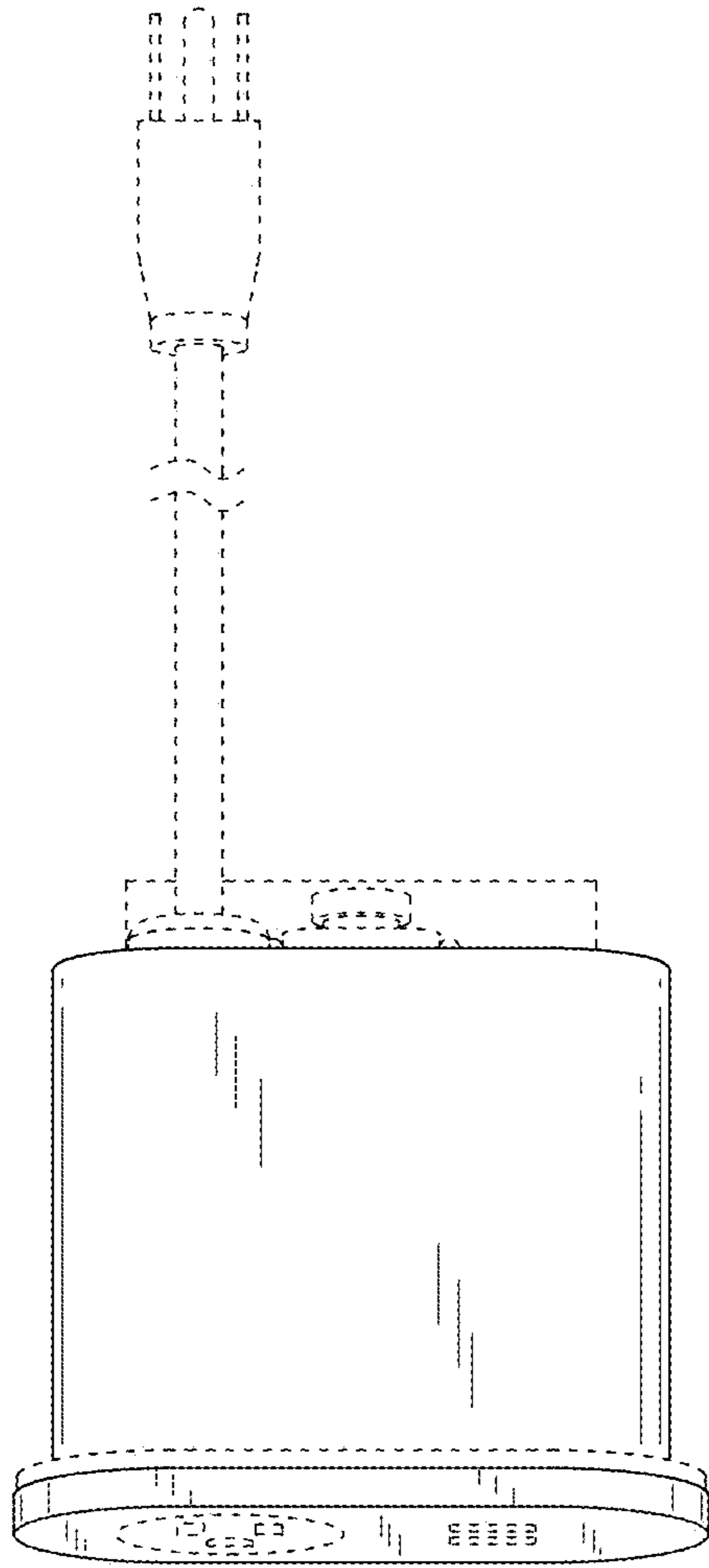
FIG. 5



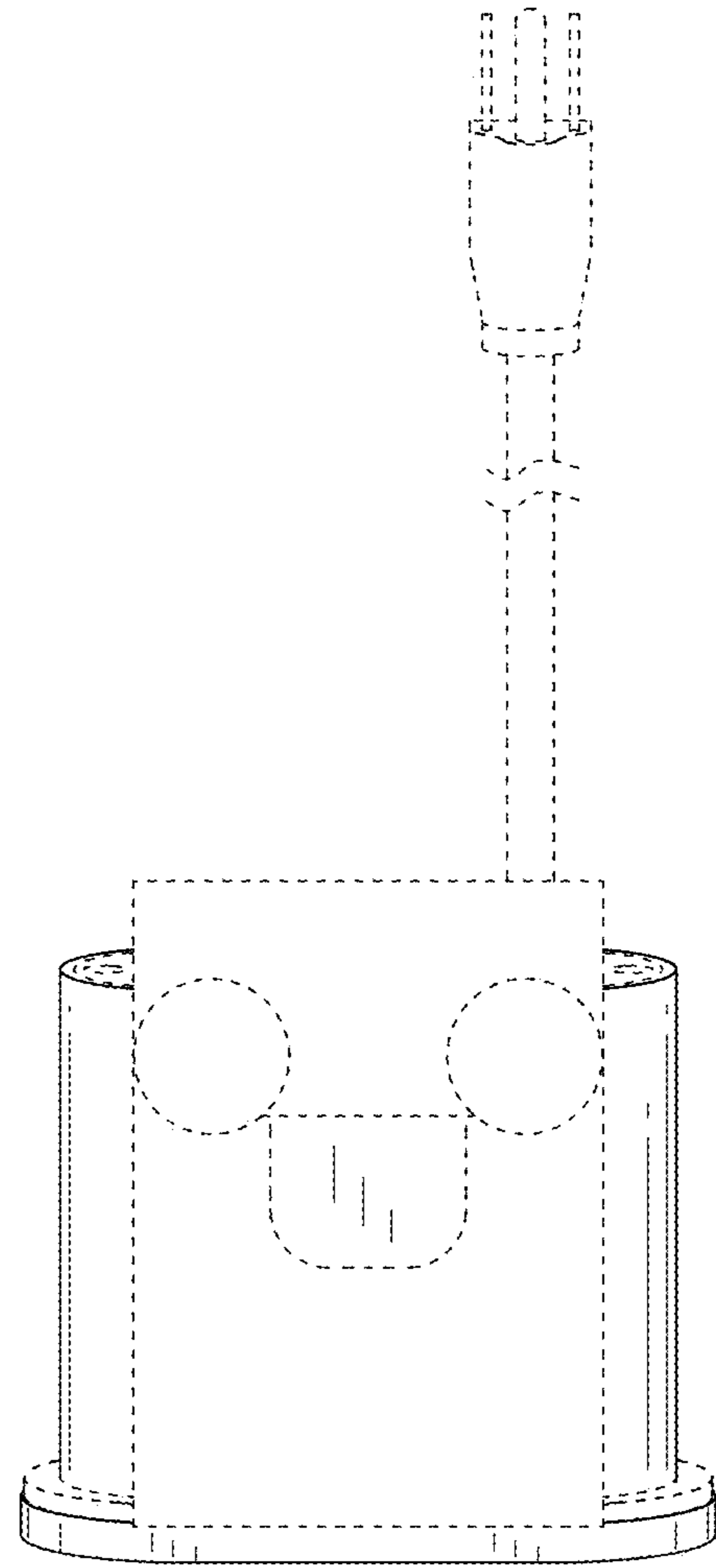
**FIG. 6**



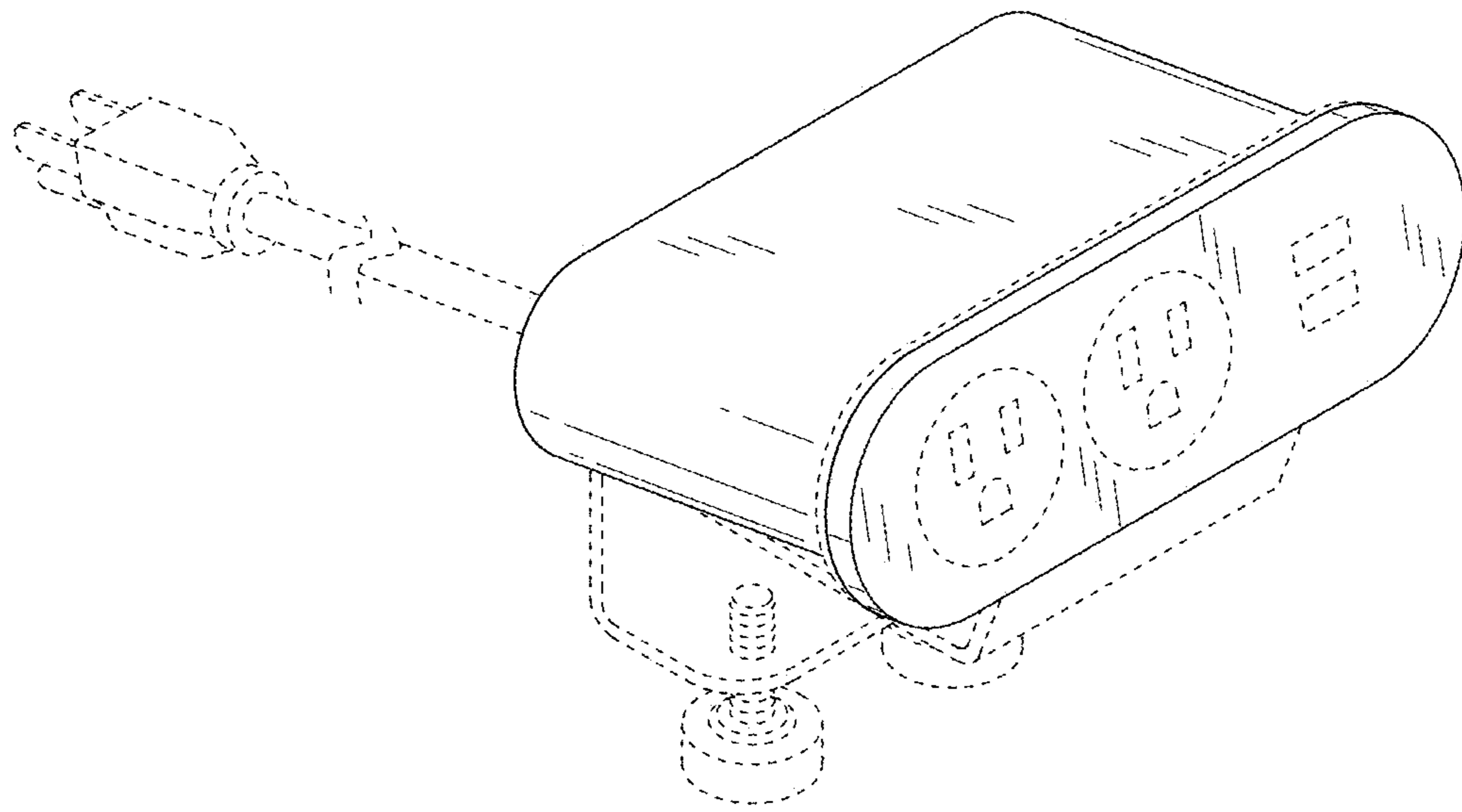
**FIG. 7**



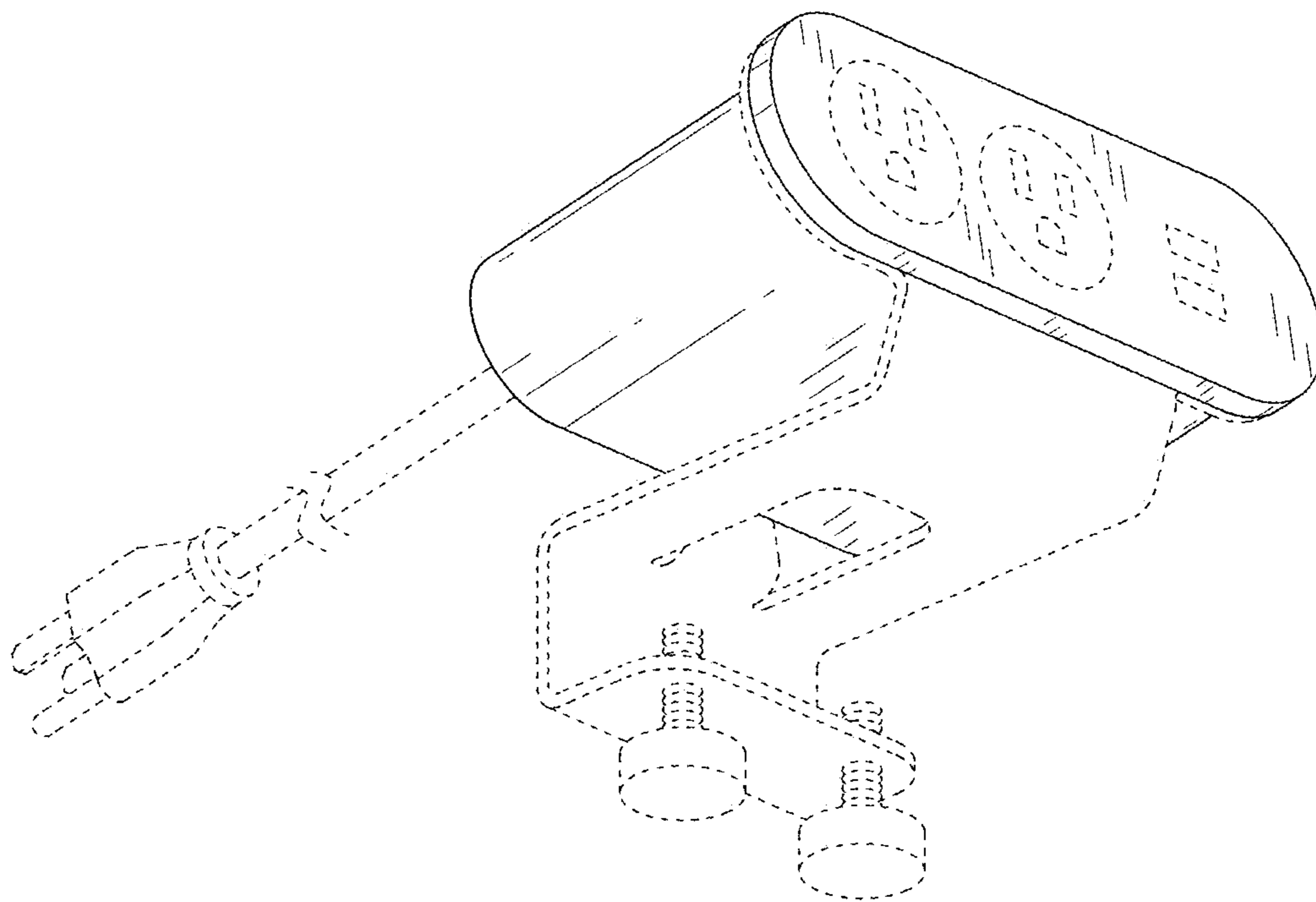
**FIG. 8**



**FIG. 9**



**FIG. 10**



**FIG. 11**

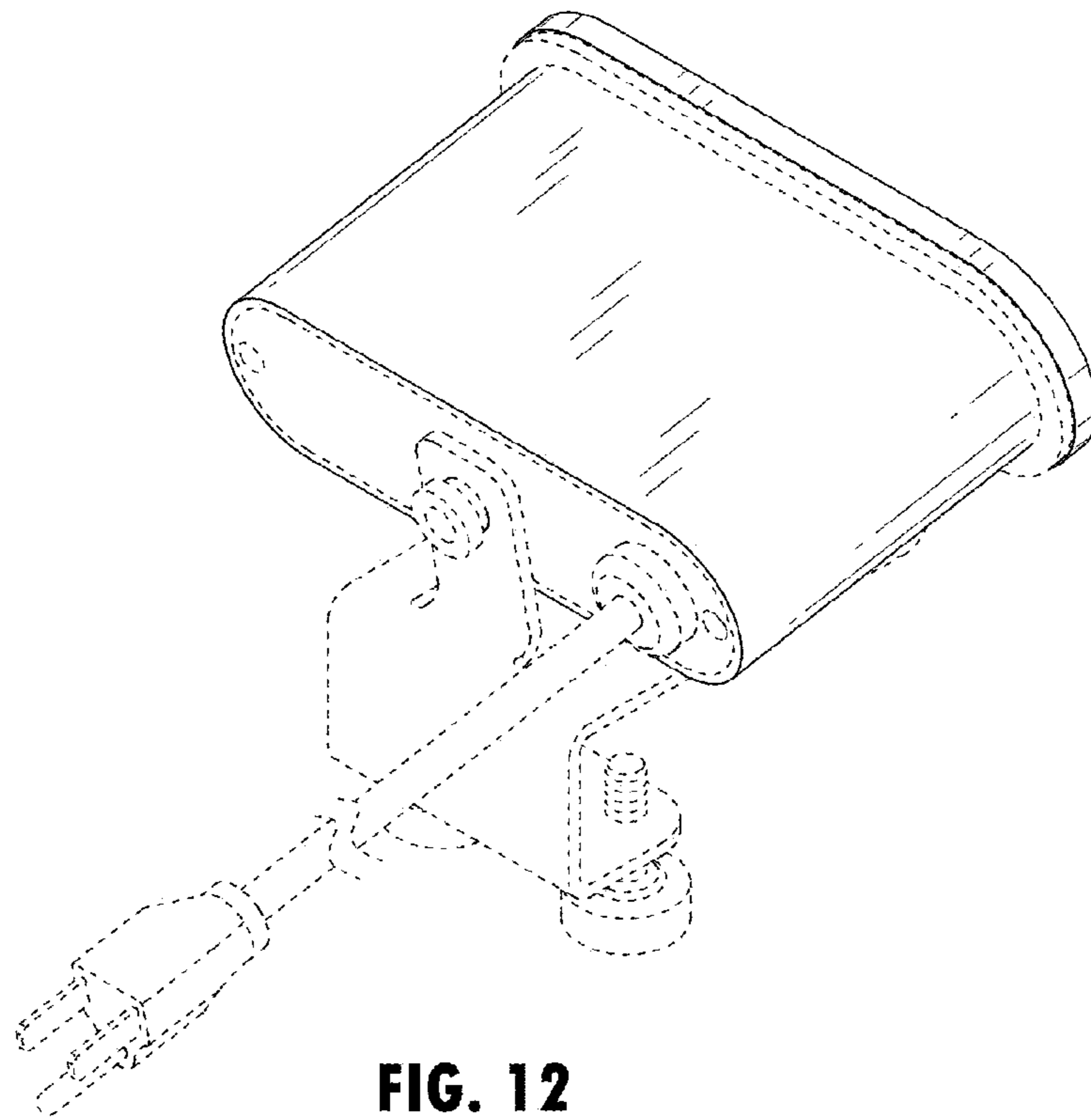


FIG. 12

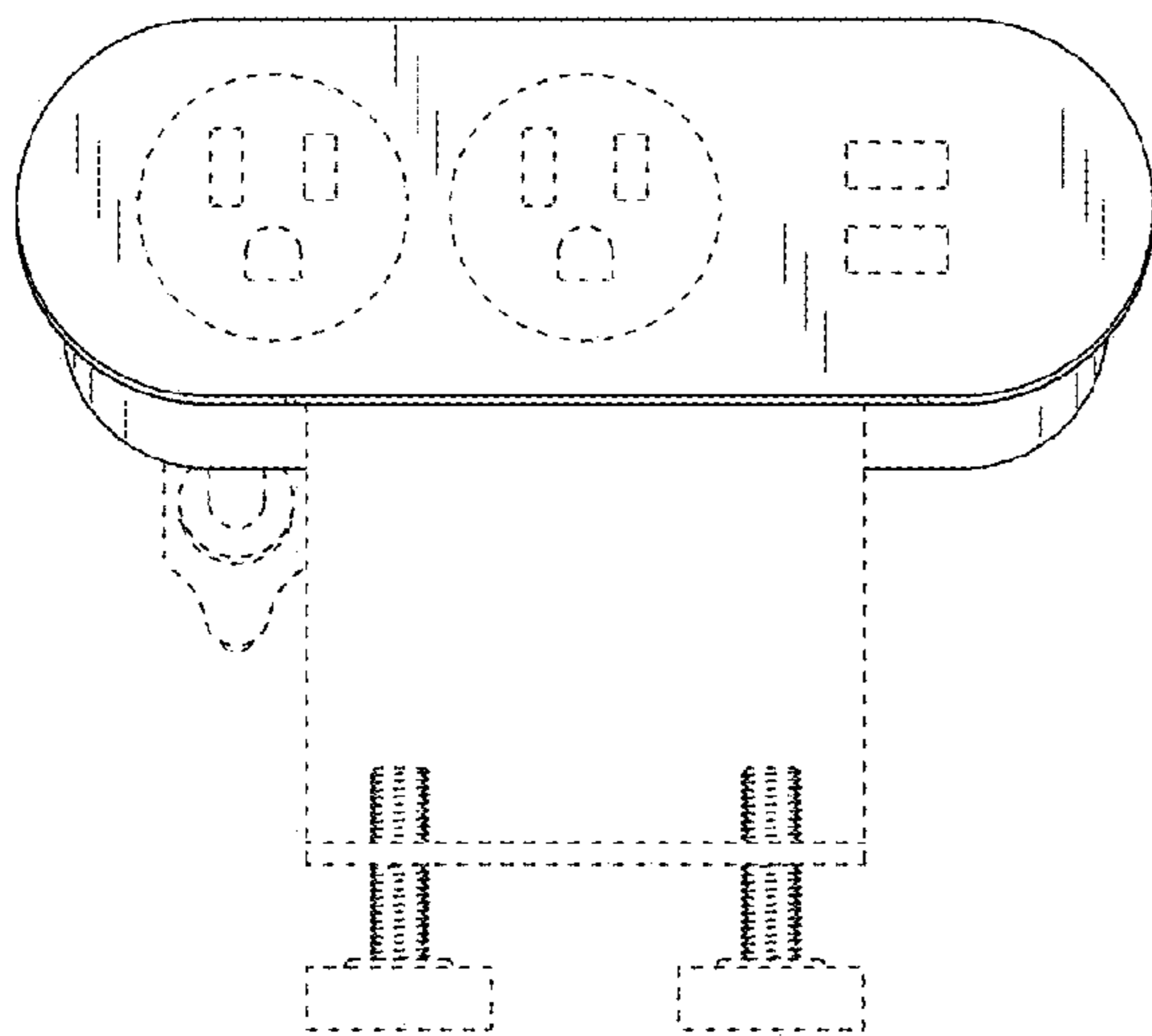


FIG. 13

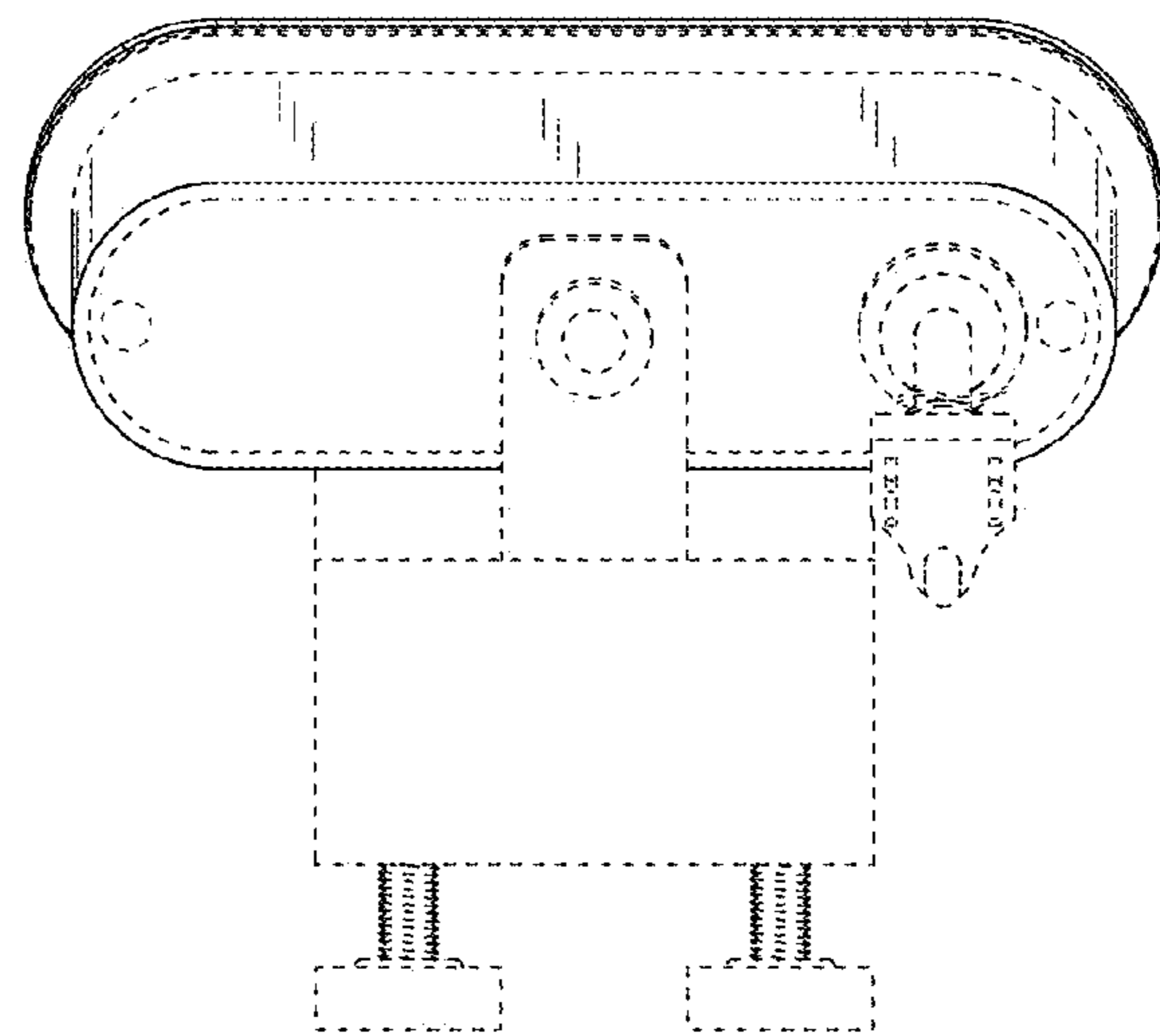
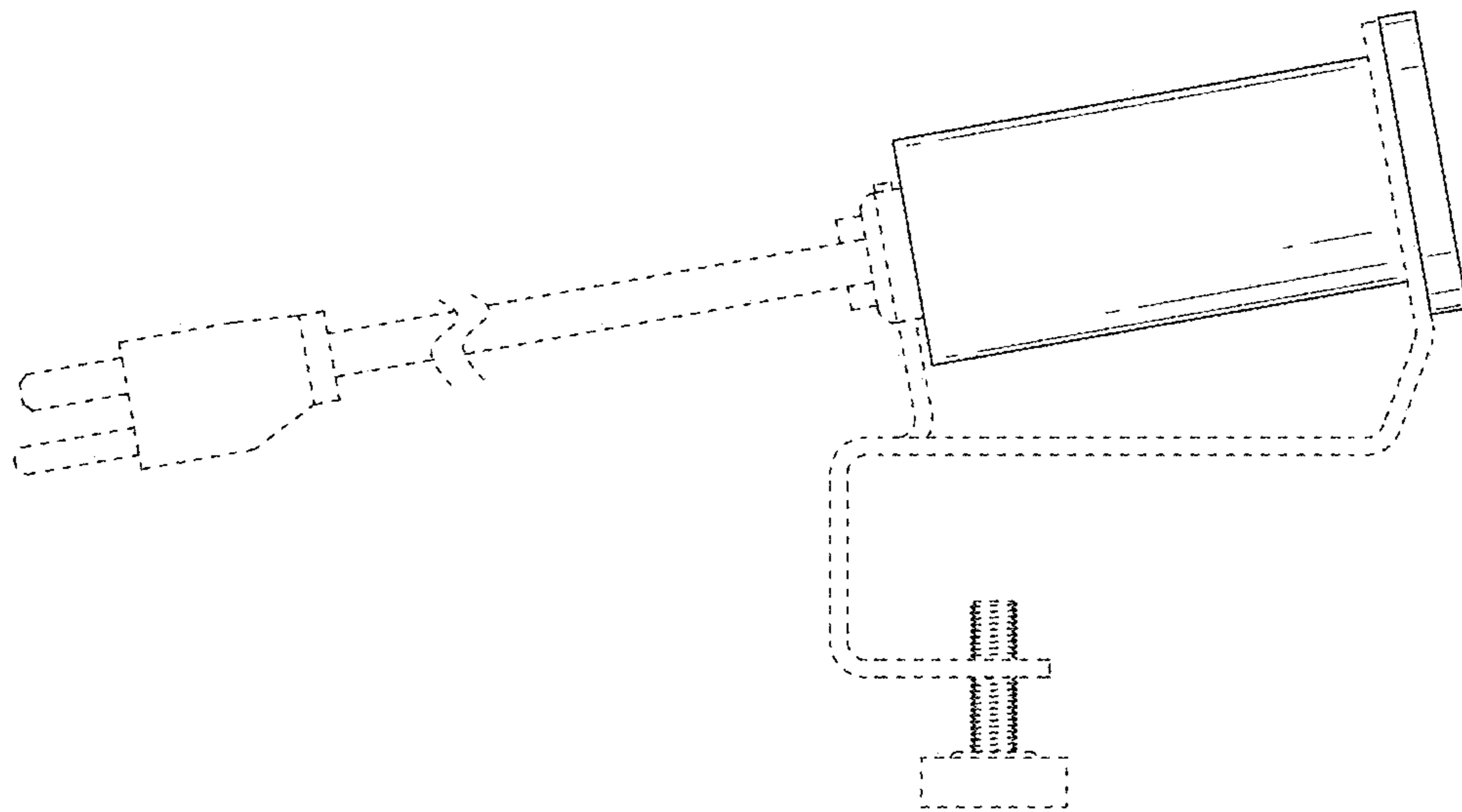
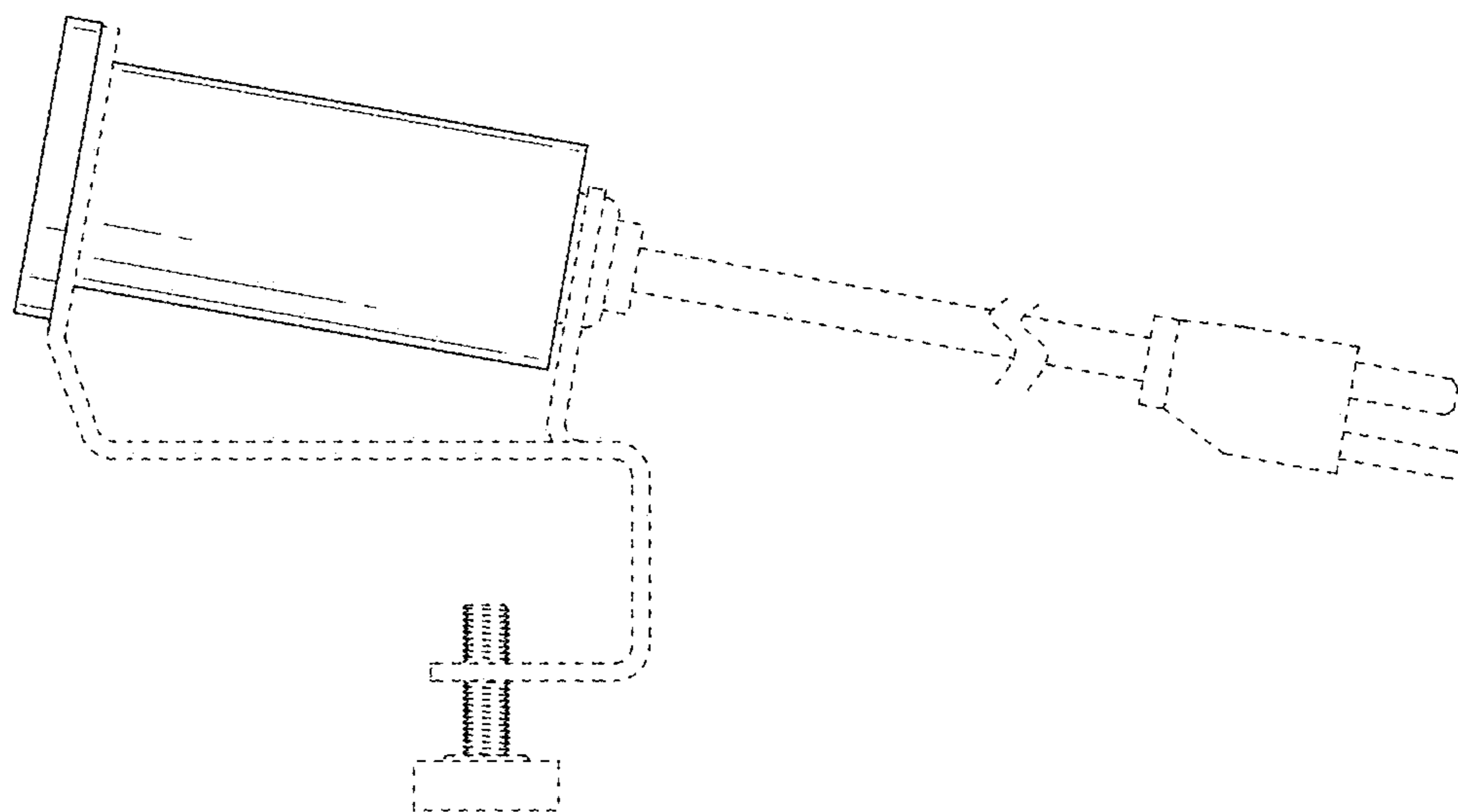


FIG. 14

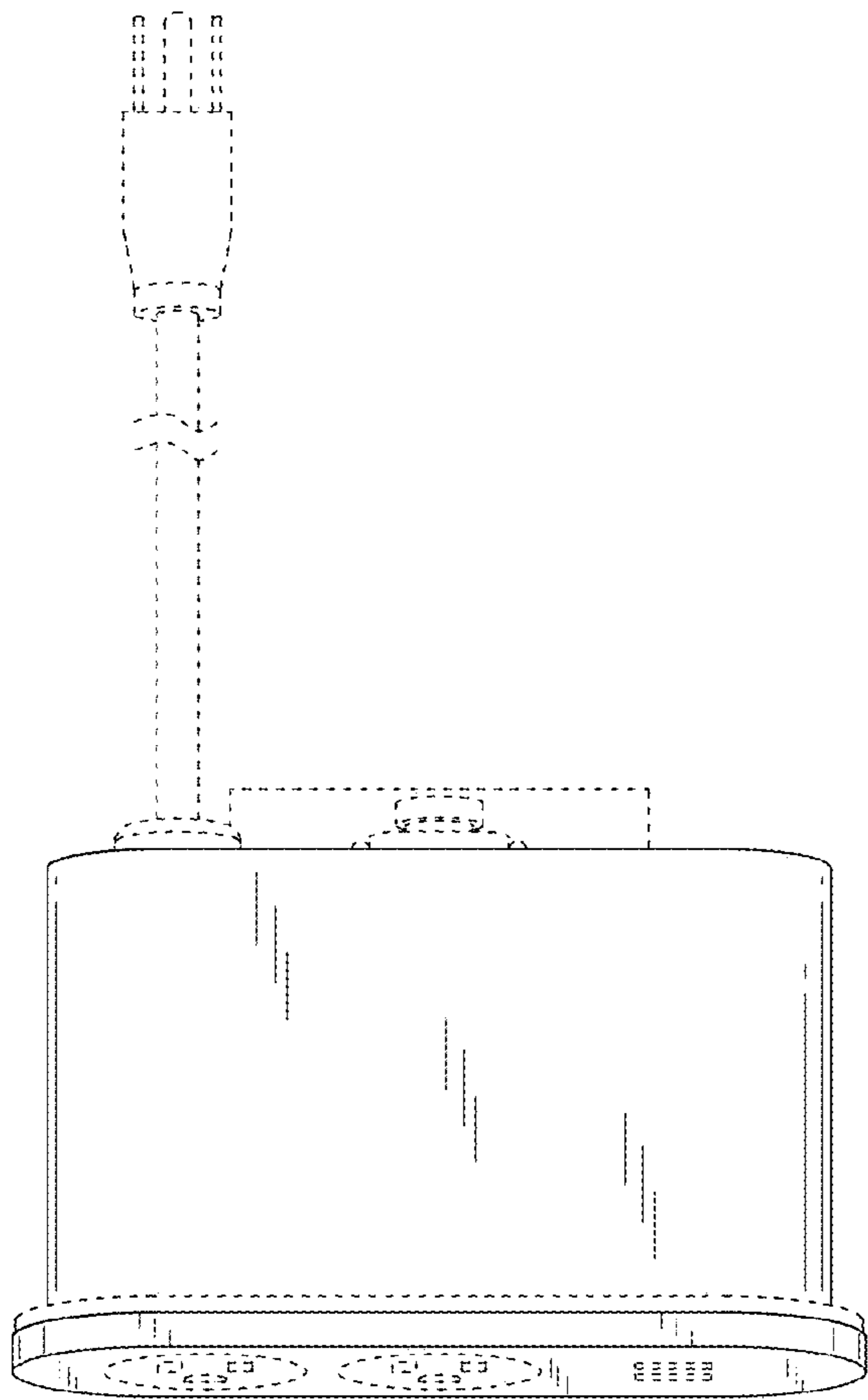




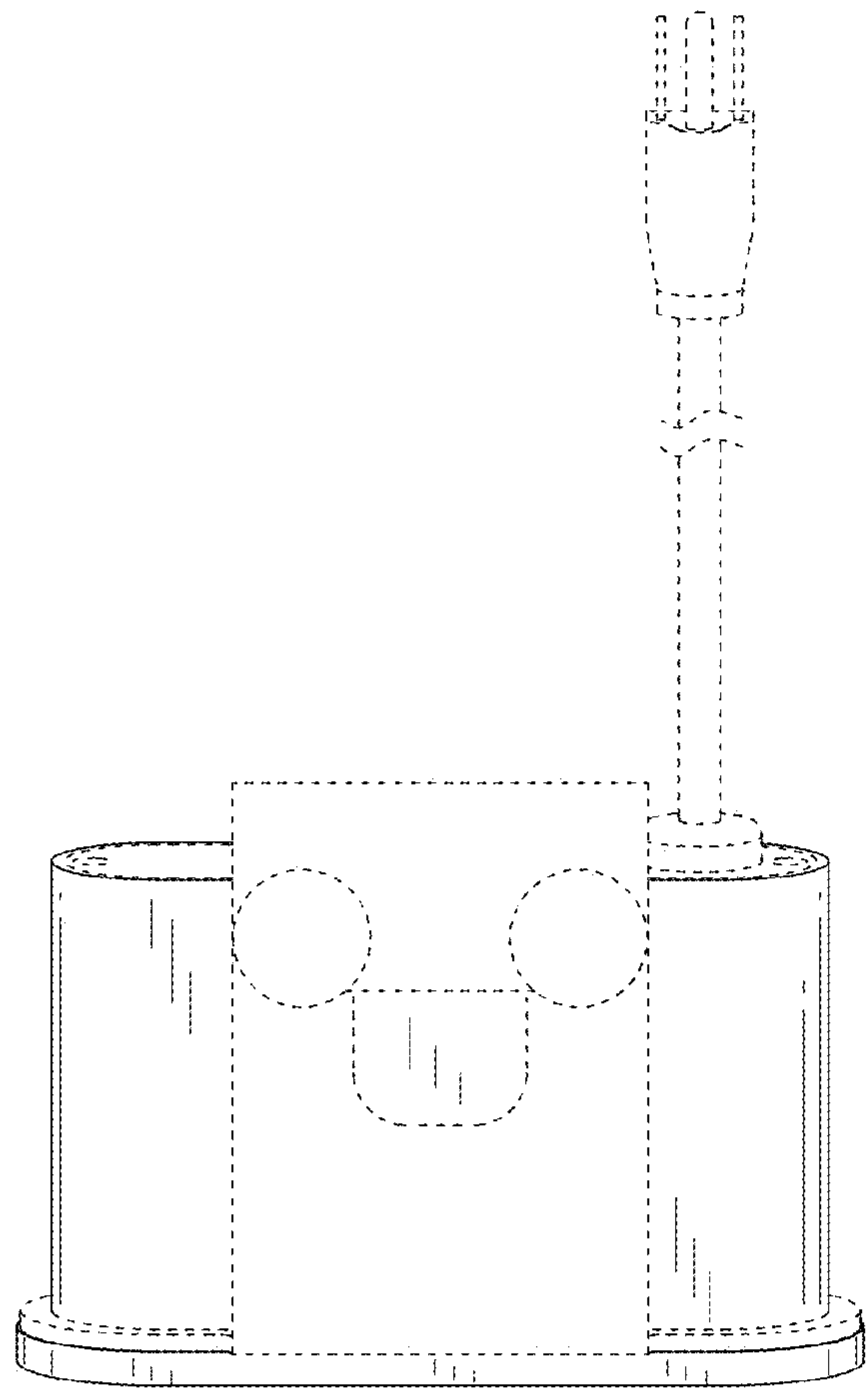
**FIG. 15**



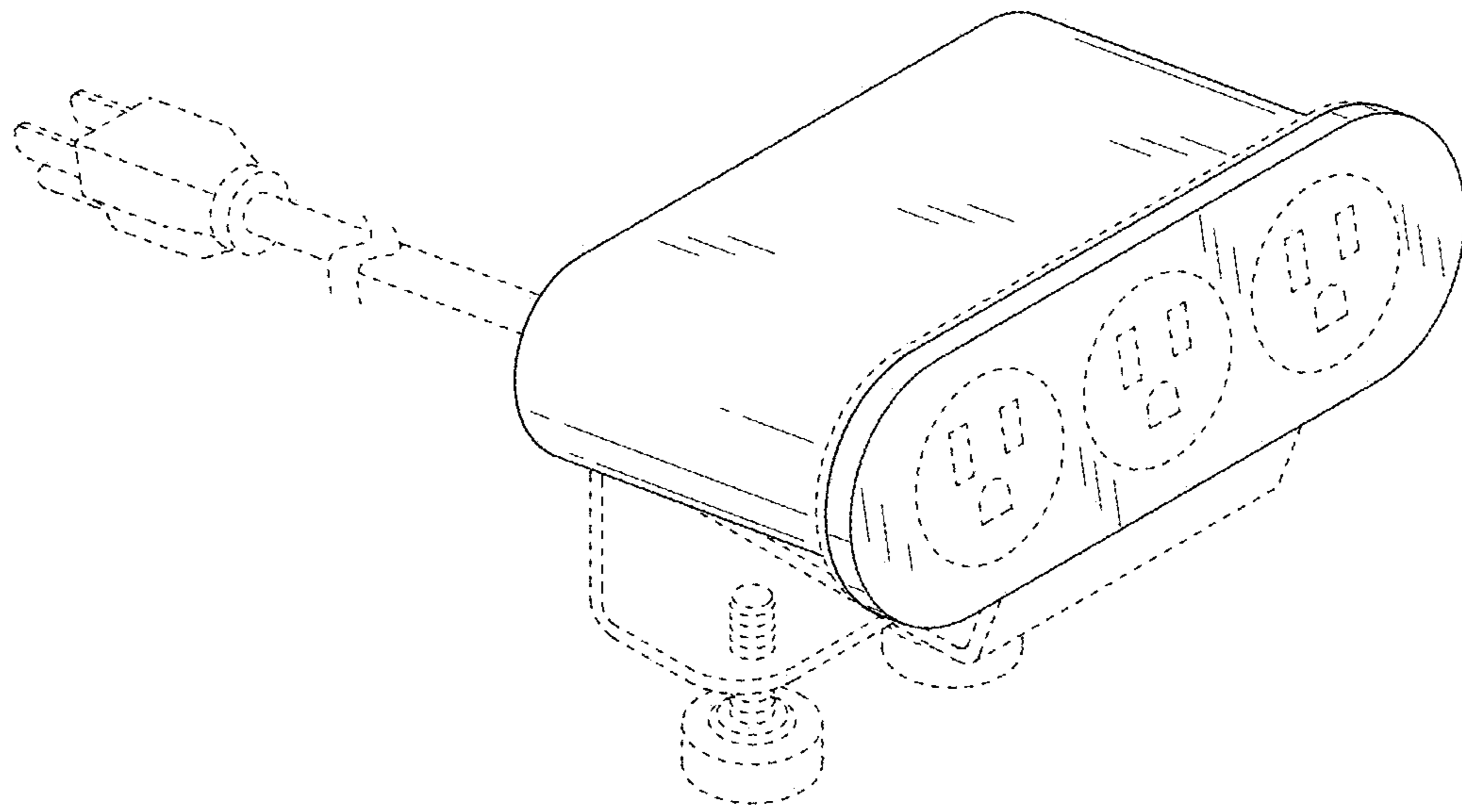
**FIG. 16**



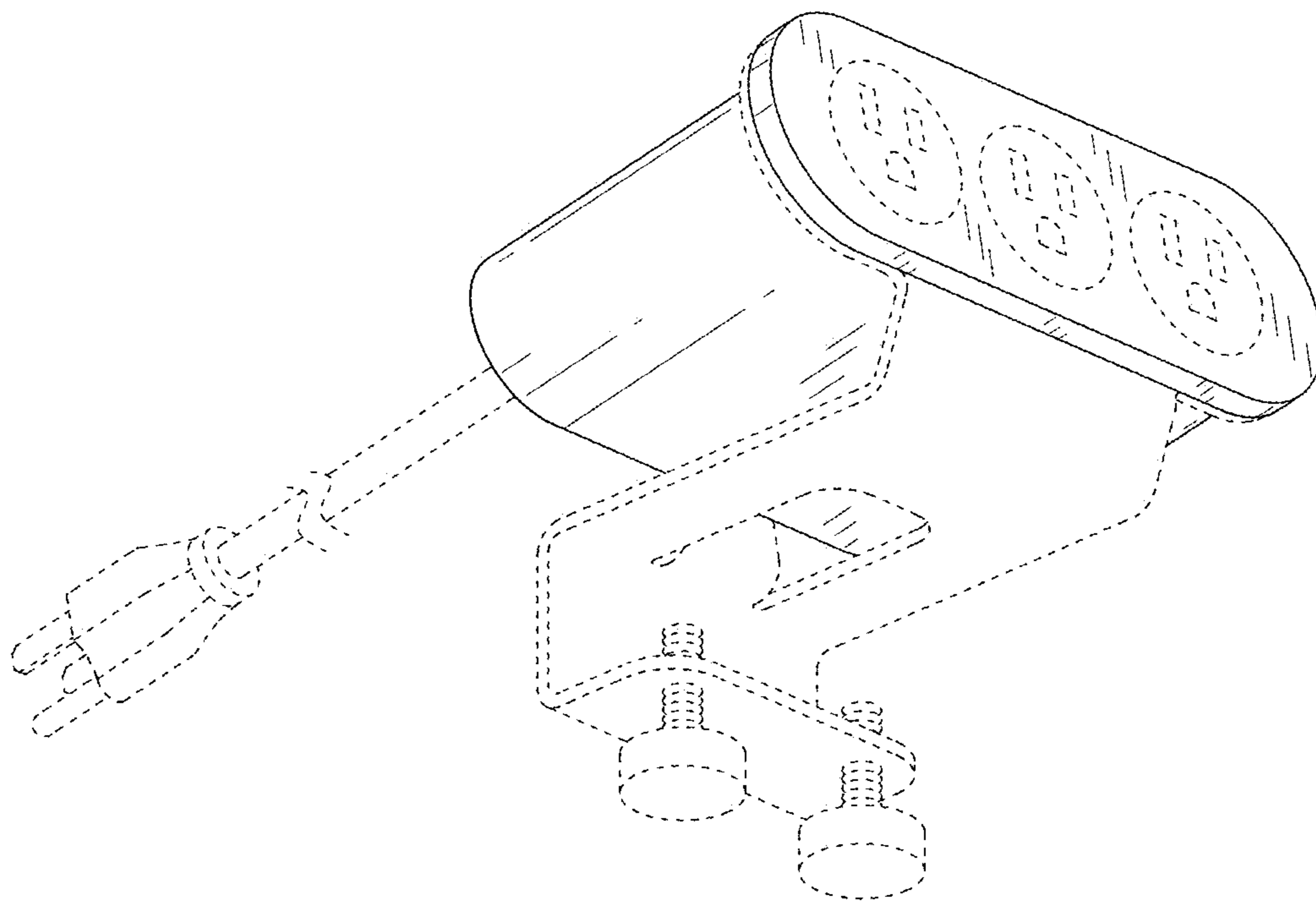
**FIG. 17**



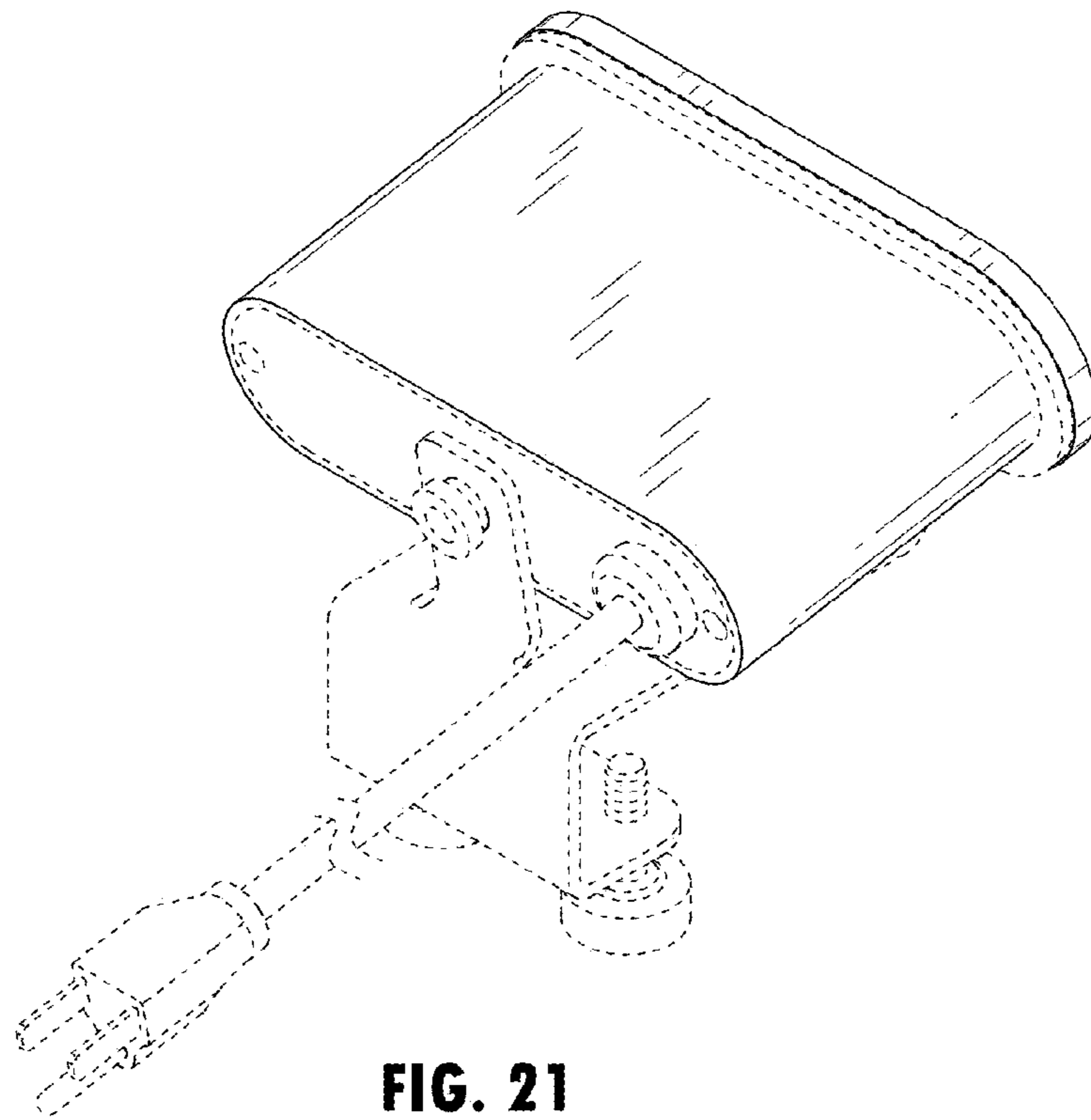
**FIG. 18**



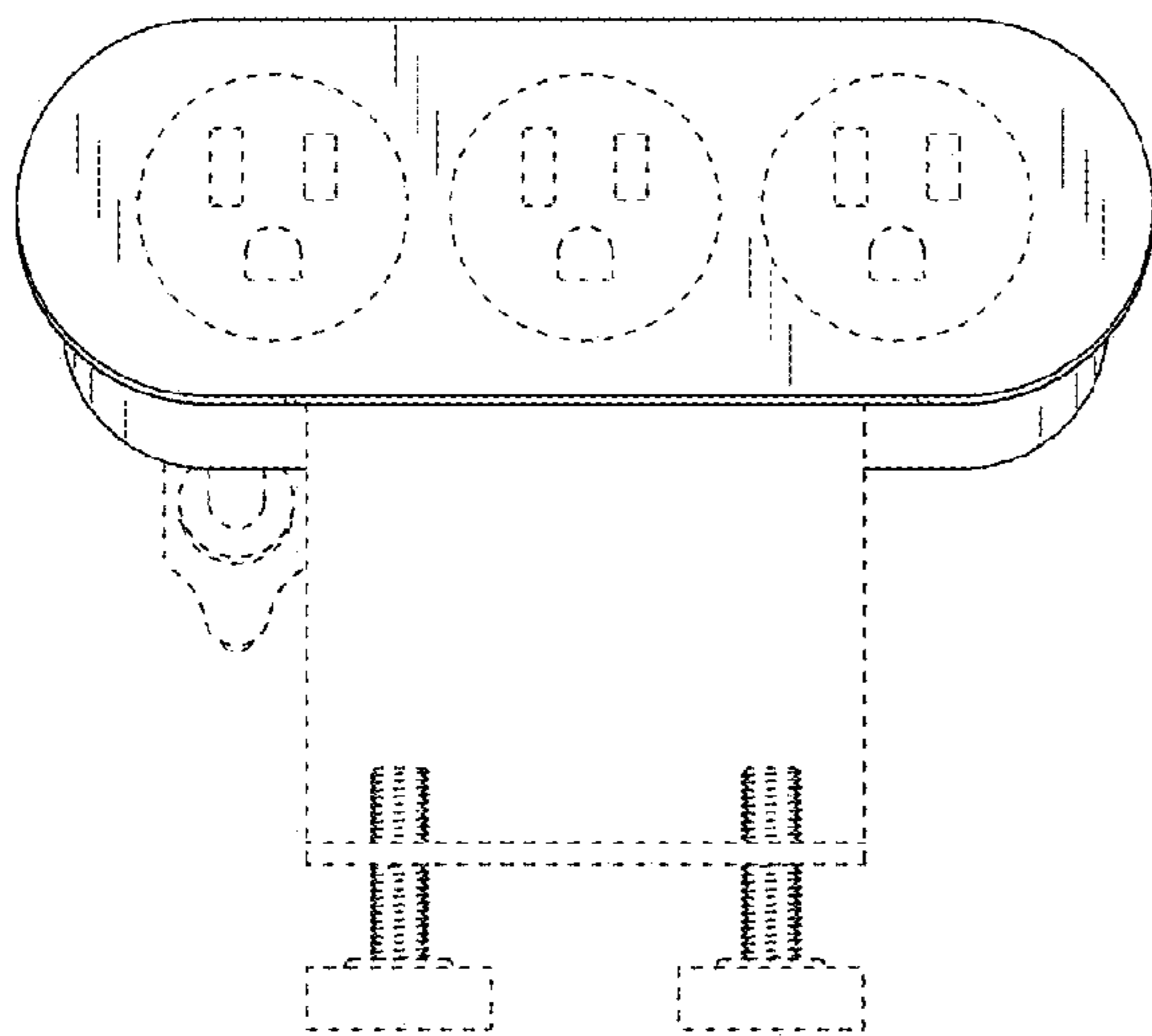
**FIG. 19**



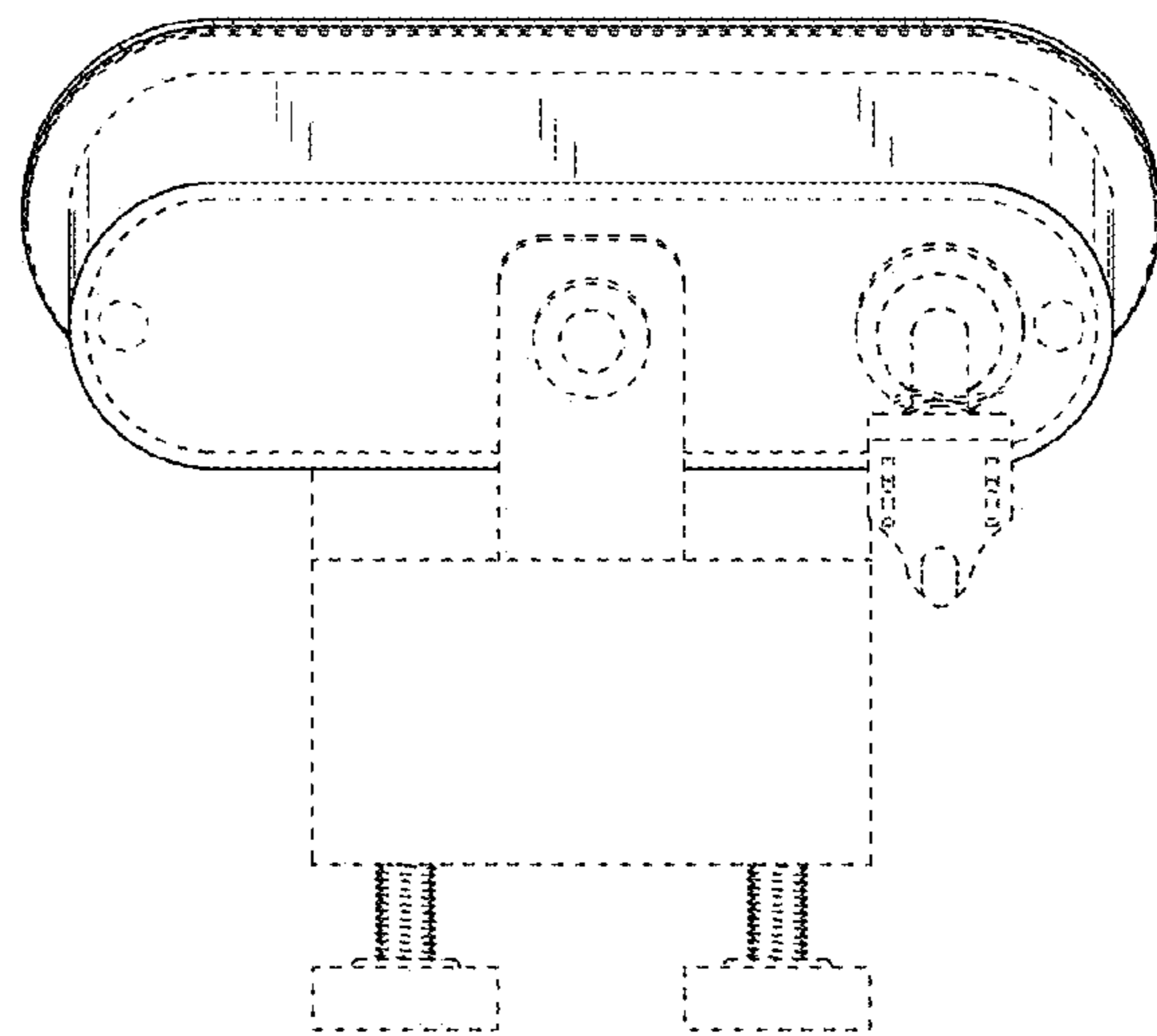
**FIG. 20**



**FIG. 21**

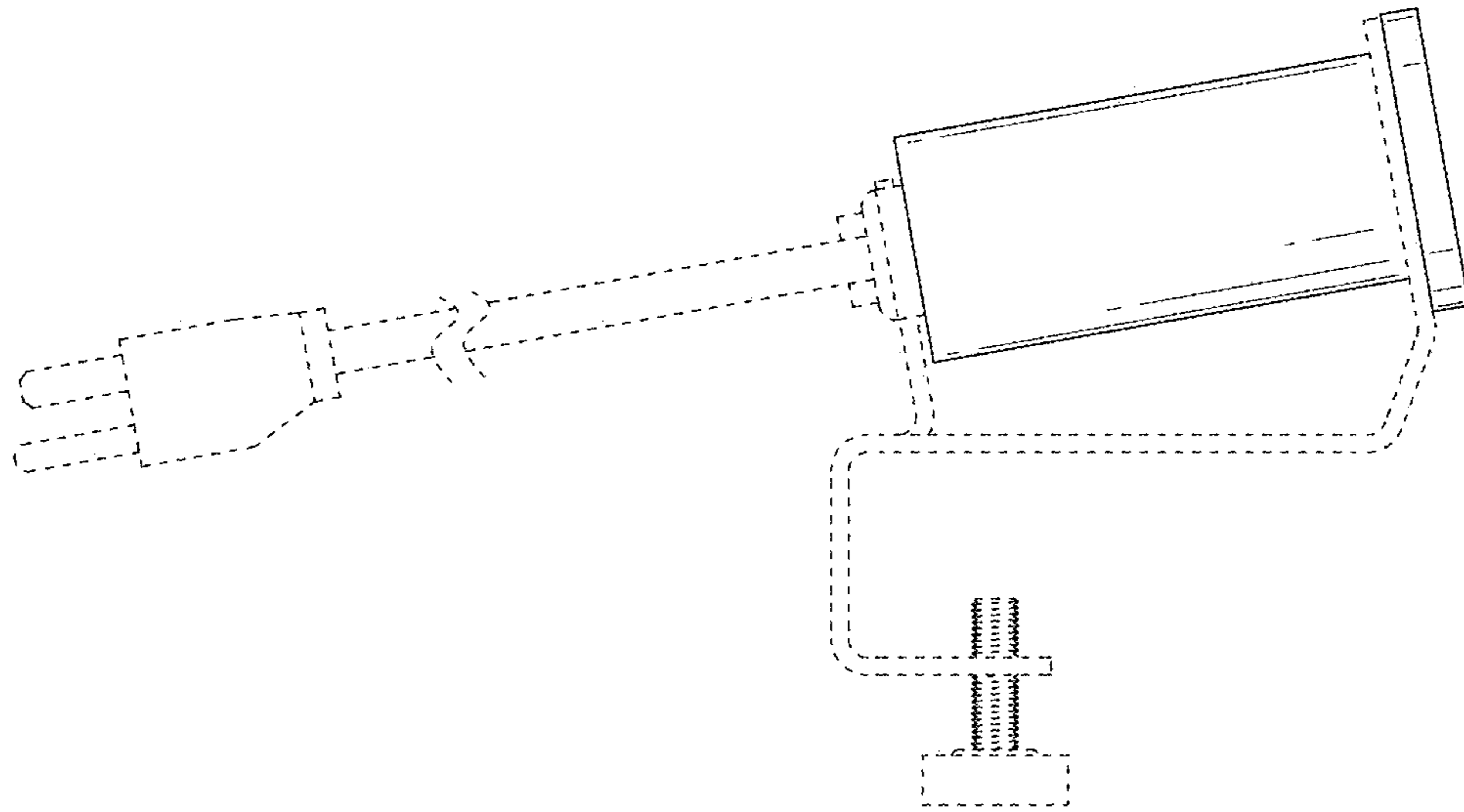


**FIG. 22**

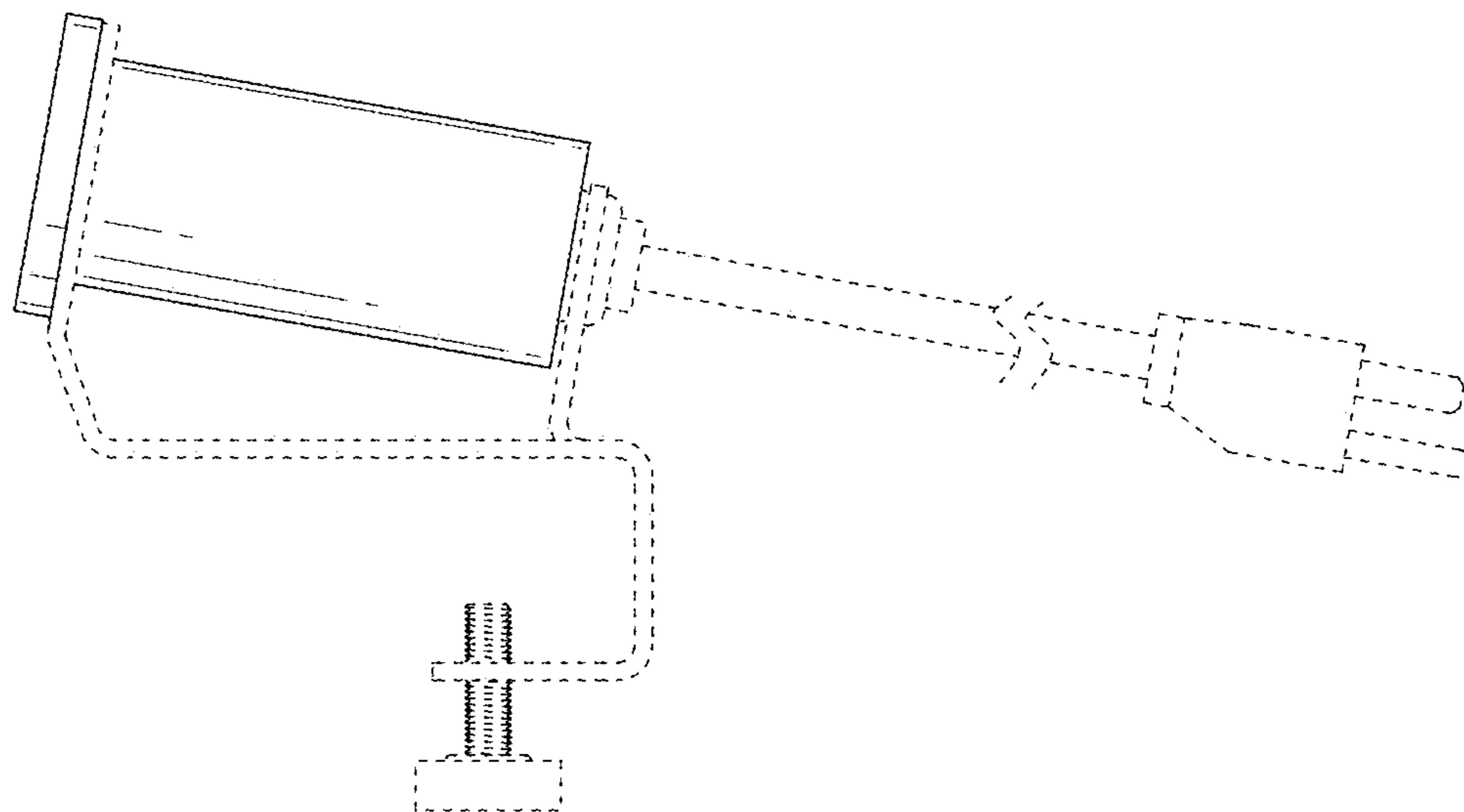


**FIG. 23**

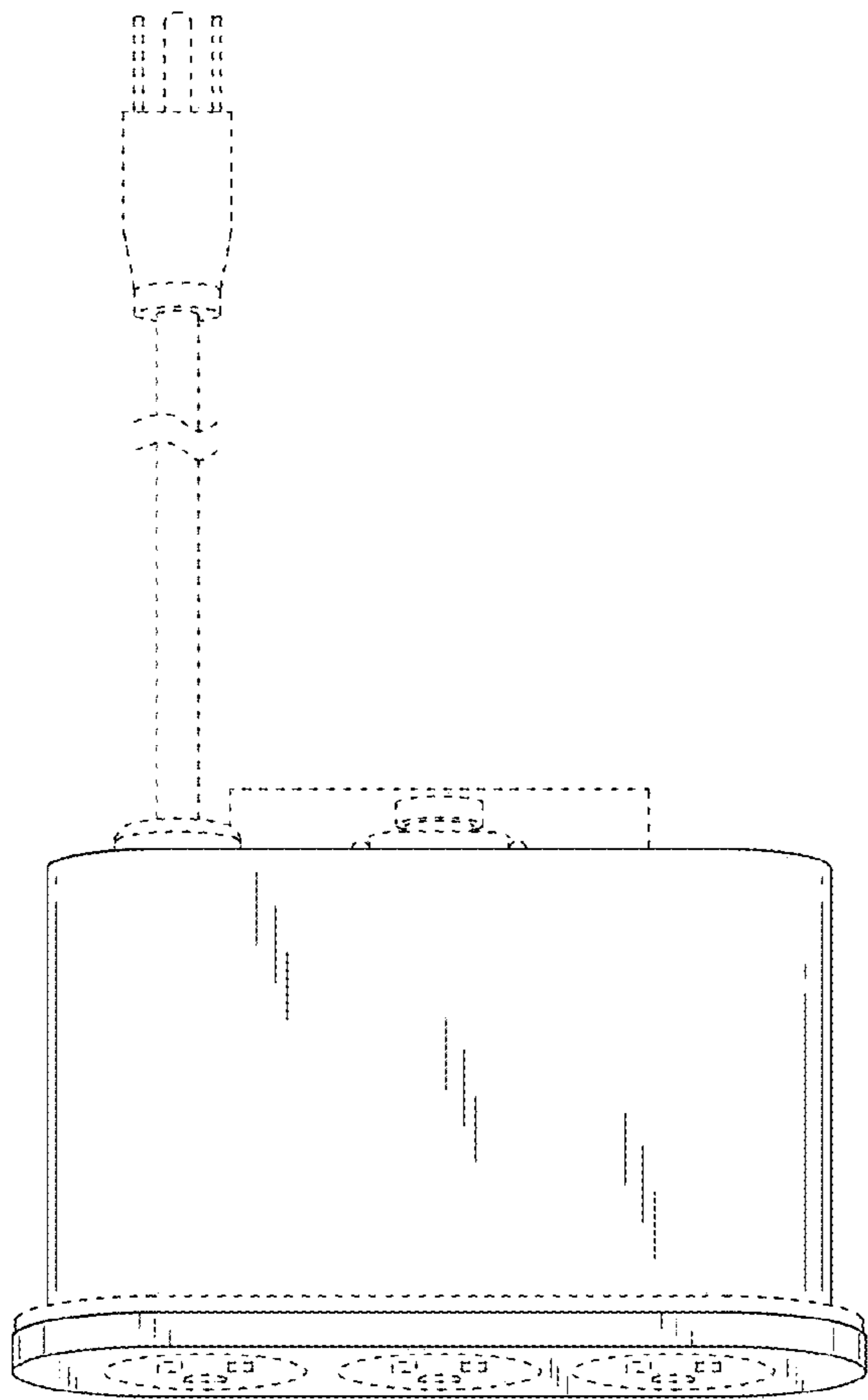




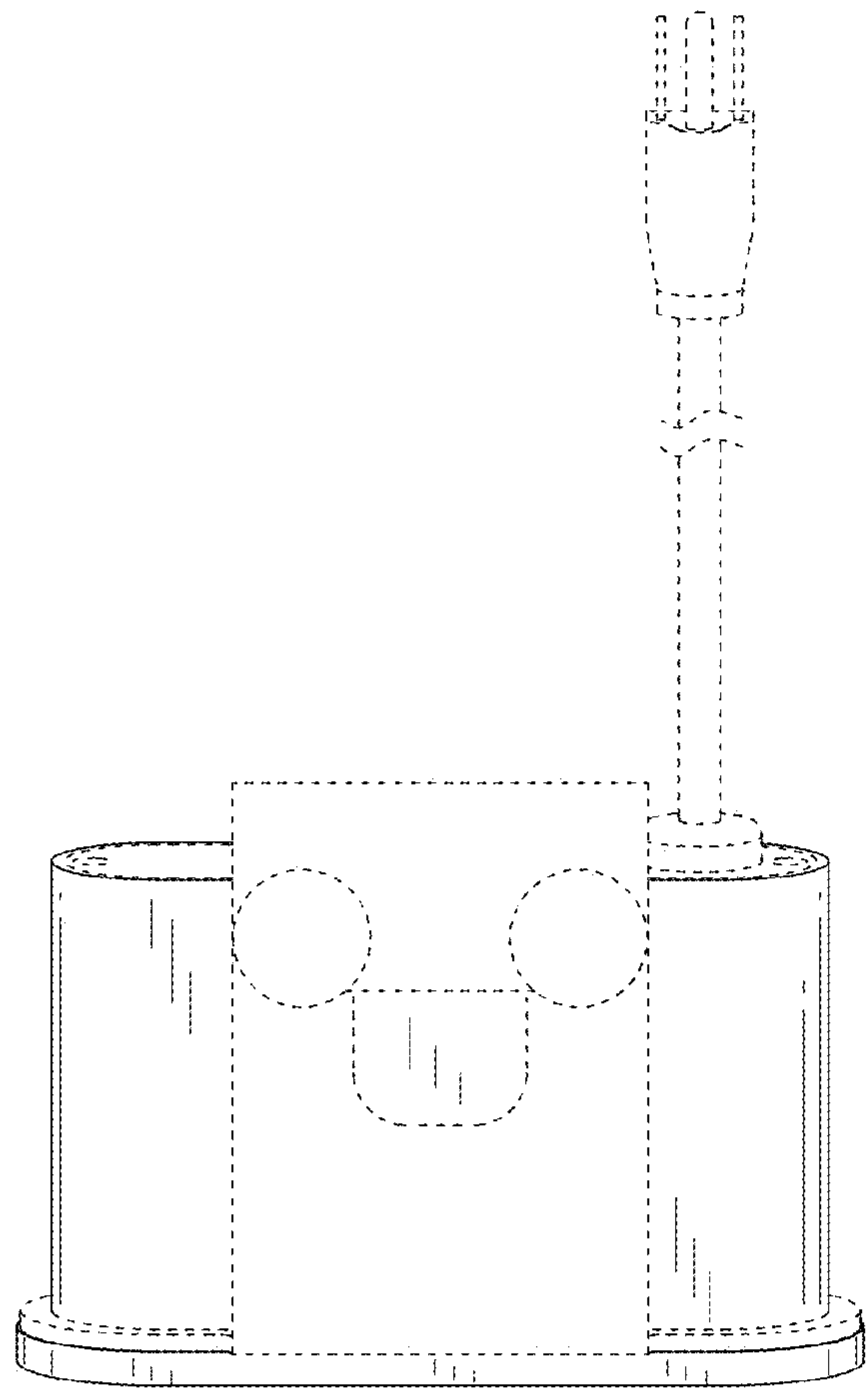
**FIG. 24**



**FIG. 25**



**FIG. 26**



**FIG. 27**