



US00D986180S

(12) **United States Design Patent**
Bordewyk et al.

(10) **Patent No.:** **US D986,180 S**

(45) **Date of Patent:** **** May 16, 2023**

(54) **MOUNTABLE POWER RECEPTACLE**

FOREIGN PATENT DOCUMENTS

(71) Applicant: **Light Corp Inc.**, Grand Haven, MI
(US)

JP	D1525896	*	6/2015
JP	D1525897	*	6/2015
JP	D1691056	*	7/2021

(72) Inventors: **Joshua A. Bordewyk**, Grand Haven, MI (US); **Nicholas B. Masters**, Grand Rapids, MI (US); **Mitchell R. Brush**, Spring Lake, MI (US); **Gregory Swears**, Nunica, MI (US)

OTHER PUBLICATIONS

“Under Desk Power Strip, Adhesive Wall Mount Power Strip with USB, Black Desktop Power Outlets, Removable Mount Multi-Outlets with 4 USB Ports, Power Socket Connect 4 Plugs for Home Office Reading”, first available Jan. 21, 2019. Amazon.com [https://www.amazon.com/dp/B07N2KD35X] (Year: 2019).*

(73) Assignee: **Light Corp Inc.**, Grand Haven, MI
(US)

(Continued)

(**) Term: **15 Years**

Primary Examiner — Rosemary K Tarcza

Assistant Examiner — Seth David Kumpf

(21) Appl. No.: **29/794,734**

(74) *Attorney, Agent, or Firm* — Bodman PLC

(22) Filed: **Jun. 15, 2021**

(57) **CLAIM**

(51) **LOC (14) Cl.** **13-03**

We claim the ornamental design for a mountable power receptacle, as shown and described.

(52) **U.S. Cl.**

USPC **D13/137.4**

DESCRIPTION

(58) **Field of Classification Search**

USPC D13/137.1, 137.2, 137.3, 137.4, 138.1,
D13/138.2, 139.1, 139.2, 139.3, 139.4,
D13/139.5, 139.6, 139.7, 139.8
CPC H01R 13/11; H01R 13/518; H01R 13/642;
H01R 13/652; H01R 25/003; H01R
25/006; H01R 43/26; H01H 71/62; H01H
73/14

FIG. 1 is a front, upper perspective view of a mountable power receptacle showing our new design;
FIG. 2 is a rear, upper perspective view thereof;
FIG. 3 is a rear, lower perspective view thereof;
FIG. 4 is a front elevation view thereof;
FIG. 5 is a rear elevation view thereof;
FIG. 6 is a left side elevation view thereof;
FIG. 7 is a right side elevation view thereof;
FIG. 8 is a top plan view thereof; and,
FIG. 9 is a bottom plan view thereof.

See application file for complete search history.

In the drawings, the broken lines depict portions of the article that form no part of the claimed design. The flexible power cords and housing of the mountable power receptacle are also shown with break lines illustrated to indicate a symbolic break in the respective lengths of the design thereof. The appearance of any portion of the article between the break lines forms no part of the claimed design.

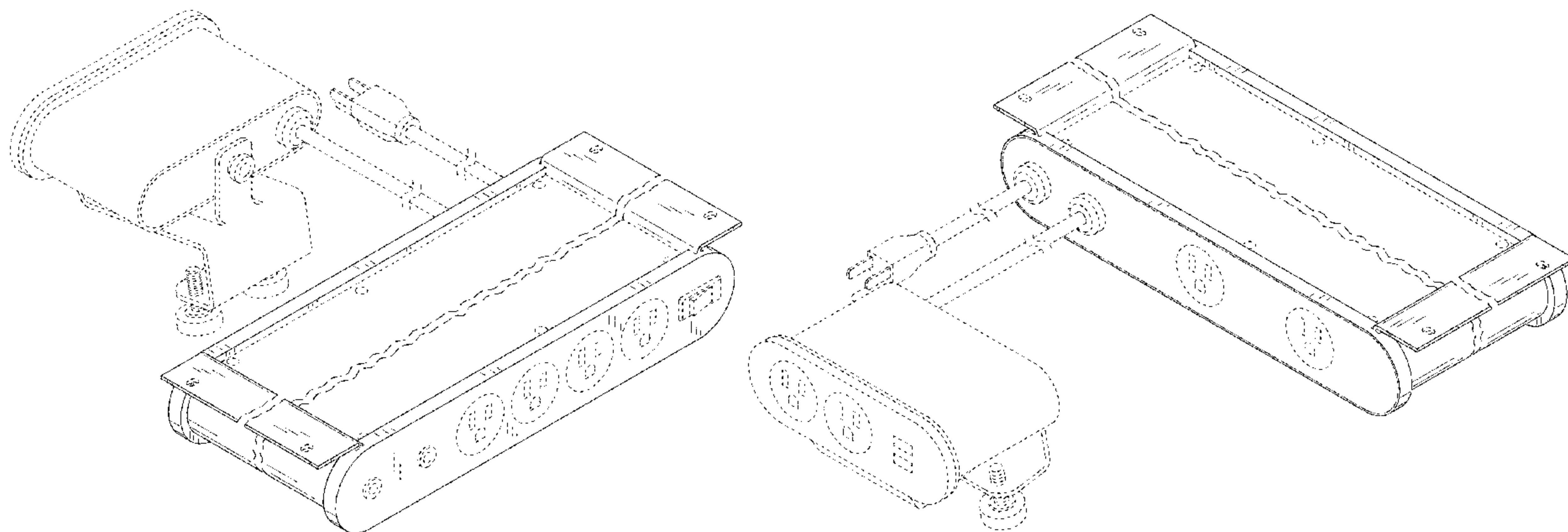
(56) **References Cited**

U.S. PATENT DOCUMENTS

D256,581 S	8/1980	Bartin
4,667,460 A	5/1987	Kramer
D413,571 S	9/1999	Glass
6,004,157 A	12/1999	Glass
6,379,182 B1	4/2002	Byrne
6,717,053 B2	4/2004	Rupert

(Continued)

1 Claim, 7 Drawing Sheets



(56)

References Cited

U.S. PATENT DOCUMENTS

6,971,911 B2 12/2005 Ramsey et al.
 D559,782 S * 1/2008 Slasinski D13/137.1
 D579,873 S 11/2008 Gershfeld
 7,663,866 B2 2/2010 Lee et al.
 7,688,564 B2 3/2010 Byrne et al.
 D632,258 S 2/2011 Sumida
 8,350,406 B2 1/2013 Byrne et al.
 8,444,432 B2 5/2013 Byrne et al.
 8,480,429 B2 7/2013 Byrne
 8,680,709 B2 3/2014 Byrne et al.
 D721,712 S 1/2015 Byrne et al.
 D740,228 S 10/2015 Page et al.
 D740,229 S 10/2015 Page et al.
 9,288,924 B2 3/2016 Page
 9,312,673 B2 4/2016 Byrne et al.
 D755,129 S * 5/2016 Page D13/139.4
 9,368,924 B2 6/2016 Byrne et al.
 D761,732 S 7/2016 Byrne et al.
 D762,175 S 7/2016 Byrne et al.
 9,392,869 B2 7/2016 Byrne et al.
 D788,039 S 5/2017 Page et al.
 9,710,025 B2 7/2017 Scott et al.
 D798,818 S 10/2017 Kondas
 D799,428 S 10/2017 Kondas
 D801,936 S 11/2017 Rose
 D801,937 S 11/2017 Rose
 D804,419 S 12/2017 Hayes et al.
 D812,009 S 3/2018 Hayes et al.
 D816,037 S 4/2018 Byrne et al.
 D821,328 S 6/2018 Byrne et al.

D827,579 S 9/2018 Byrne et al.
 D837,160 S 1/2019 Byrne et al.
 D840,347 S 2/2019 Byrne et al.
 D848,371 S 5/2019 Byrne et al.
 D849,686 S 5/2019 Byrne et al.
 D856,284 S 8/2019 Byrne et al.
 D856,937 S 8/2019 Rupert
 D857,633 S 8/2019 Byrne et al.
 D869,397 S 12/2019 Hayes et al.
 D874,404 S 2/2020 Byrne et al.
 D886,064 S * 6/2020 Chen D13/139.8
 D887,363 S 6/2020 Byrne et al.
 10,811,809 B2 10/2020 Byrne et al.
 D902,862 S * 11/2020 Rupert D13/137.1
 D905,644 S * 12/2020 Byrne D13/139.4
 10,873,167 B2 12/2020 Byrne et al.
 D930,591 S * 9/2021 Rupert D13/137.1
 D948,445 S * 4/2022 Helms D13/137.3
 D948,446 S * 4/2022 Helms D13/137.3
 D948,447 S * 4/2022 Helms D13/137.3
 2019/0341712 A1 11/2019 Byrne et al.
 2020/0028342 A1 1/2020 Byrne et al.
 2020/0388971 A1 12/2020 Byrne et al.
 2021/0005989 A1 1/2021 Byrne et al.

OTHER PUBLICATIONS

“2 outlet, 2 USB-A Smart Plug (OWS221)”, first accessed Jul. 21, 2022. One-Products.com [<https://www.one-products.com/products/2-outlet-2-usb-a-smart-plug-ows221>] (Year: 2022).*

* cited by examiner

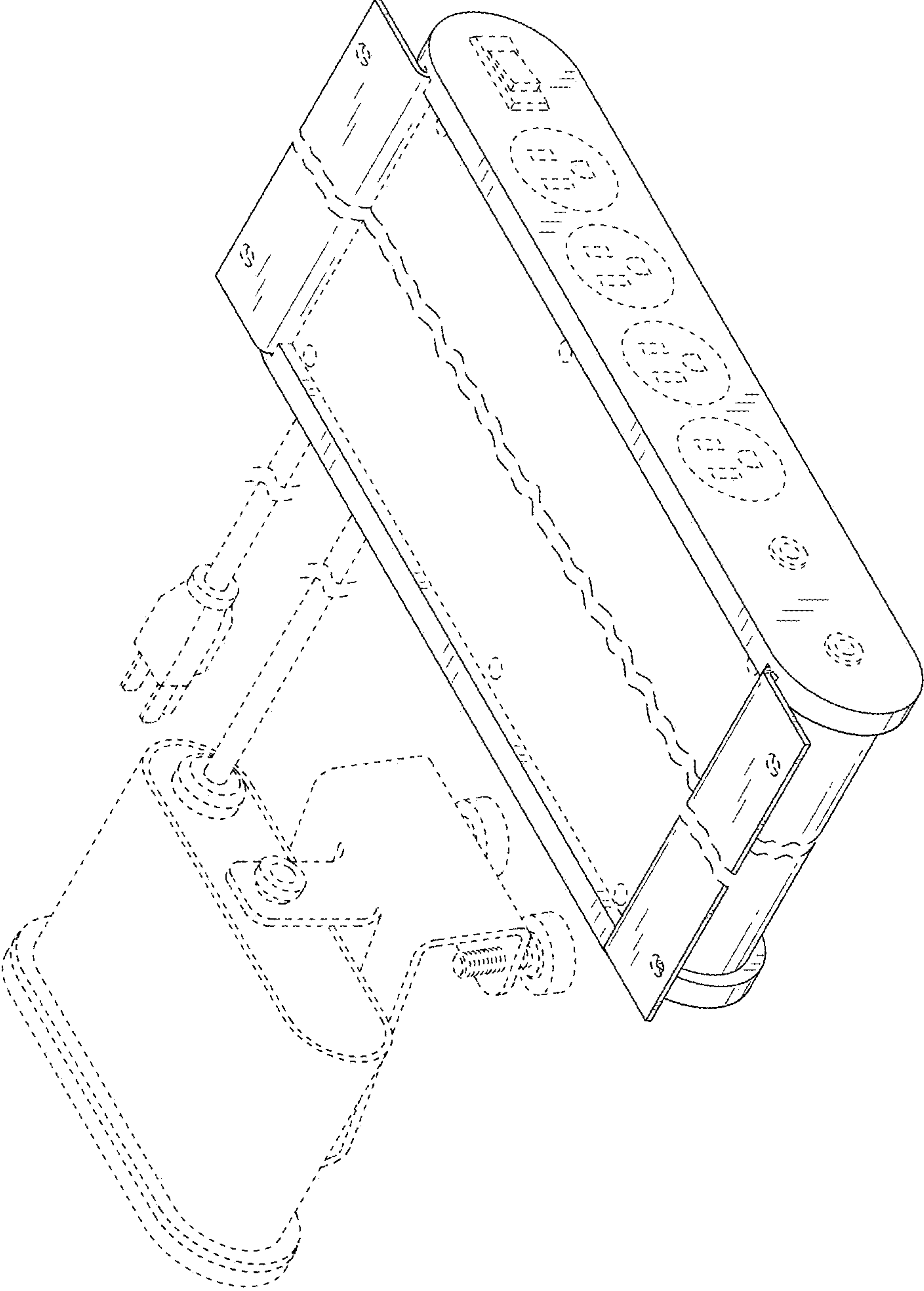


FIG. 1

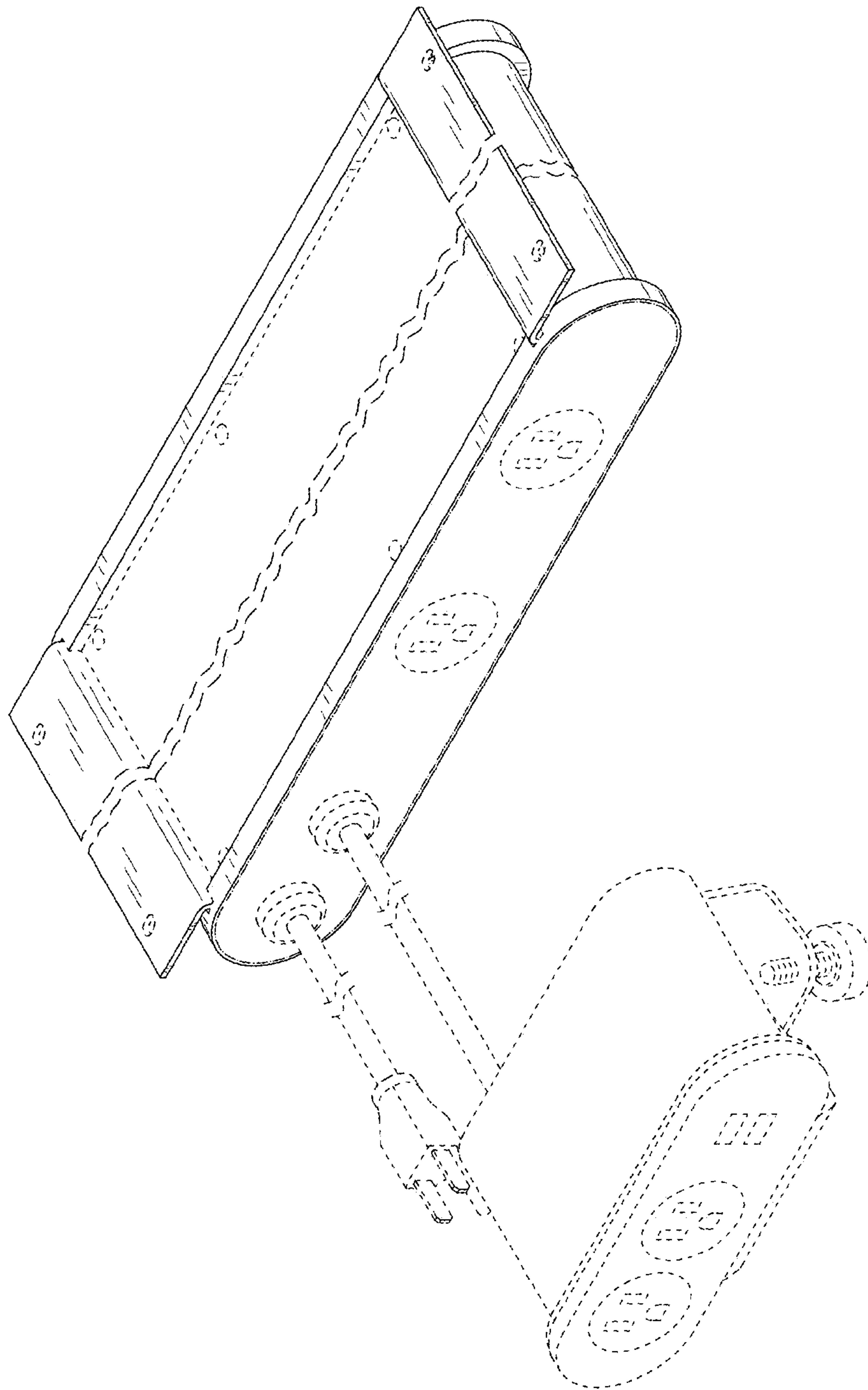


FIG. 2

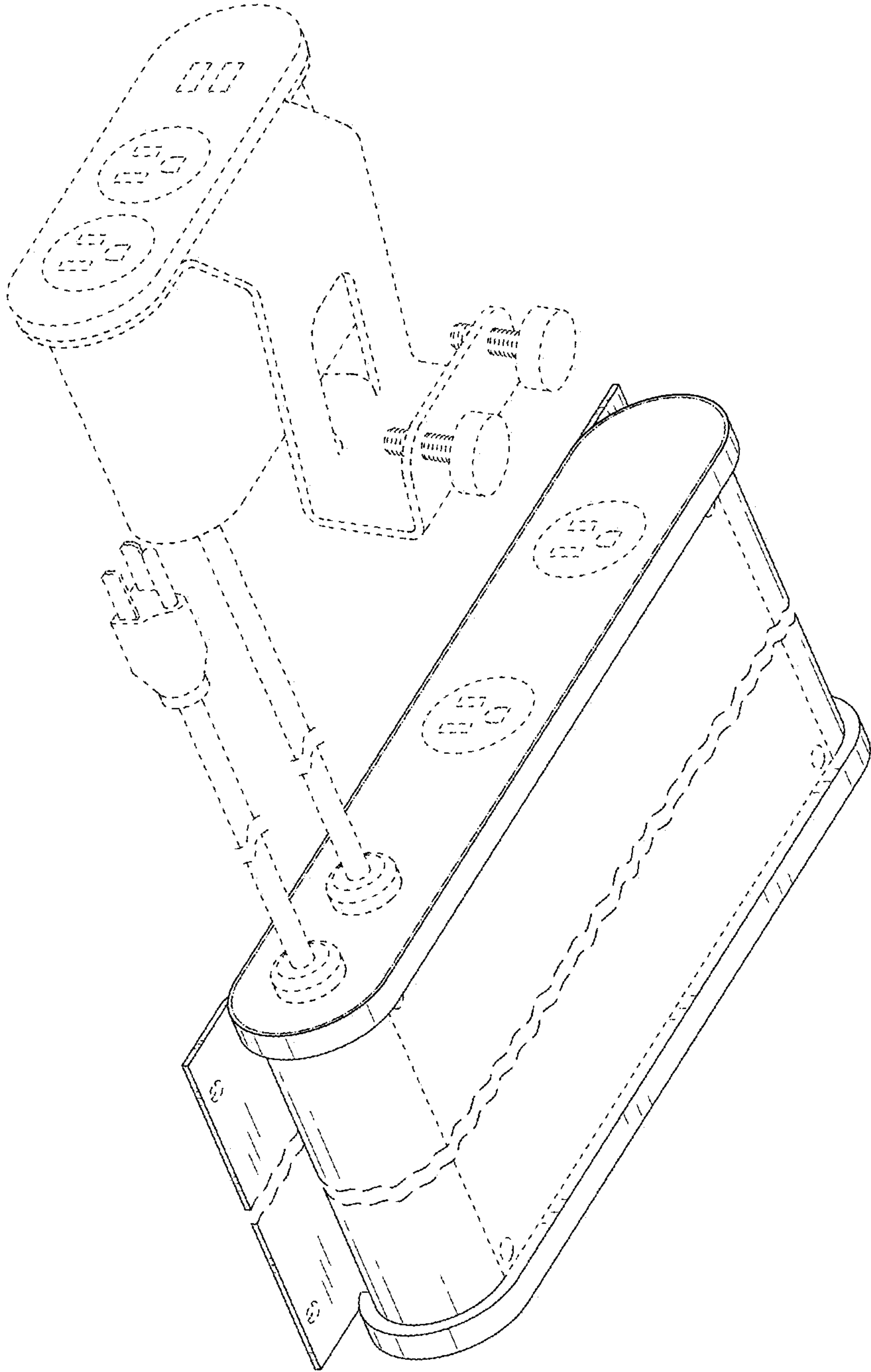


FIG. 3

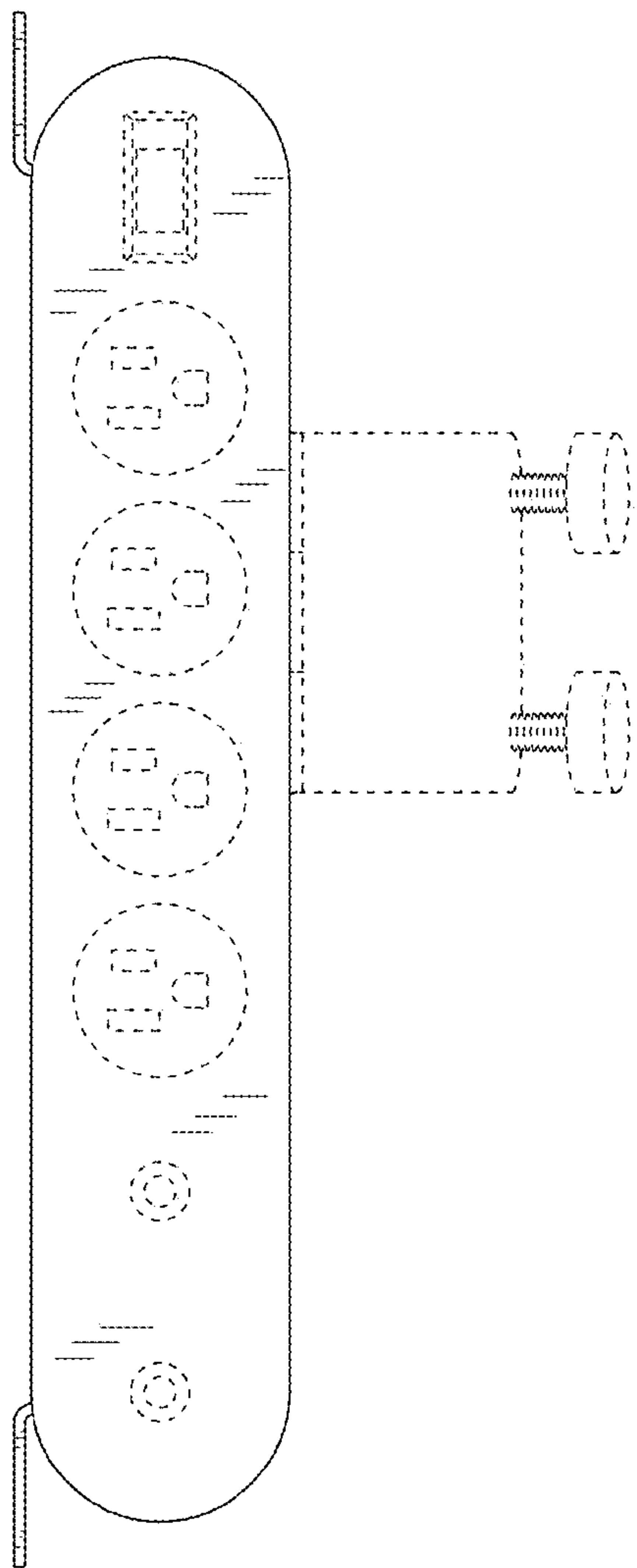


FIG. 4

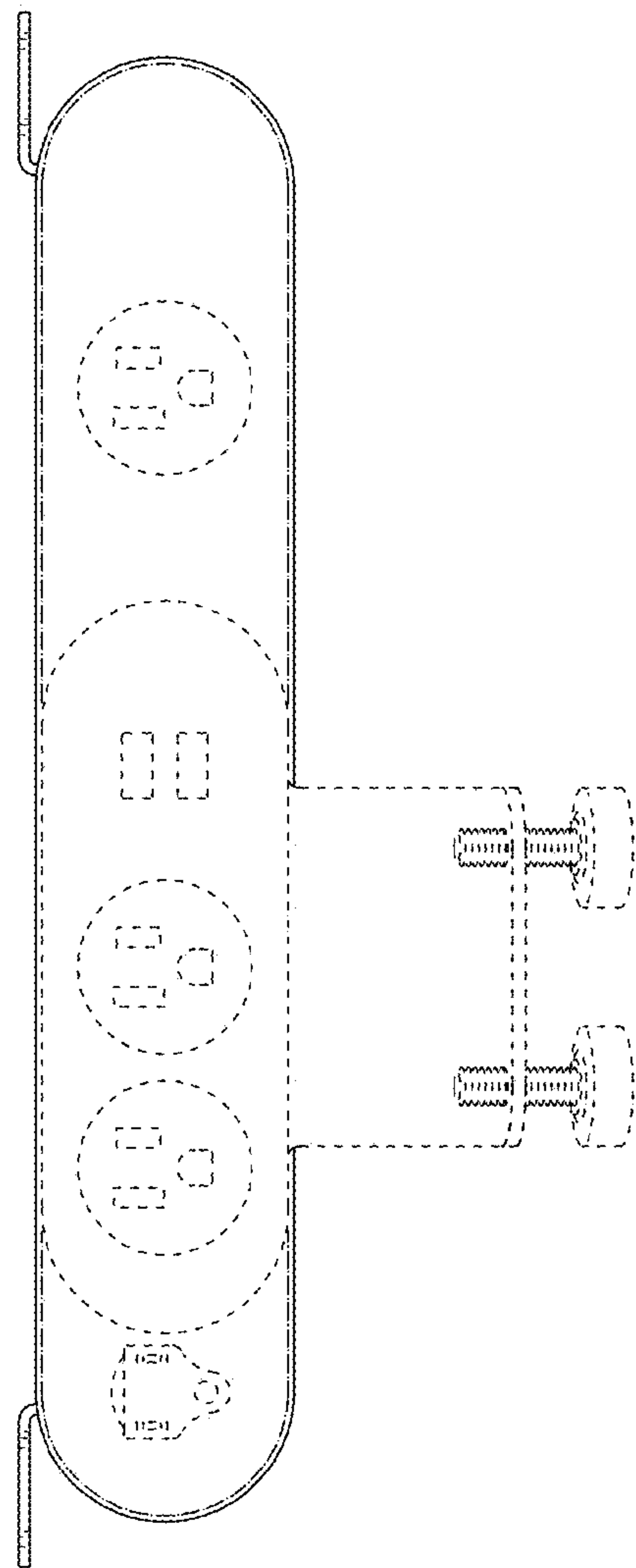
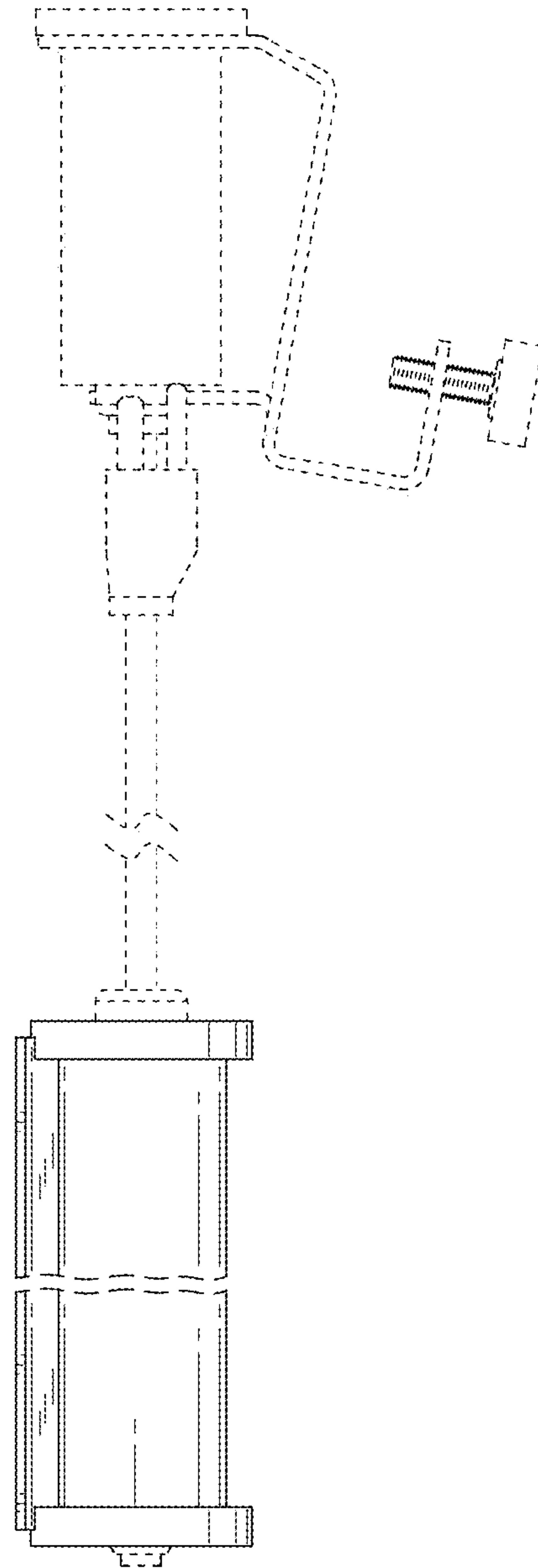
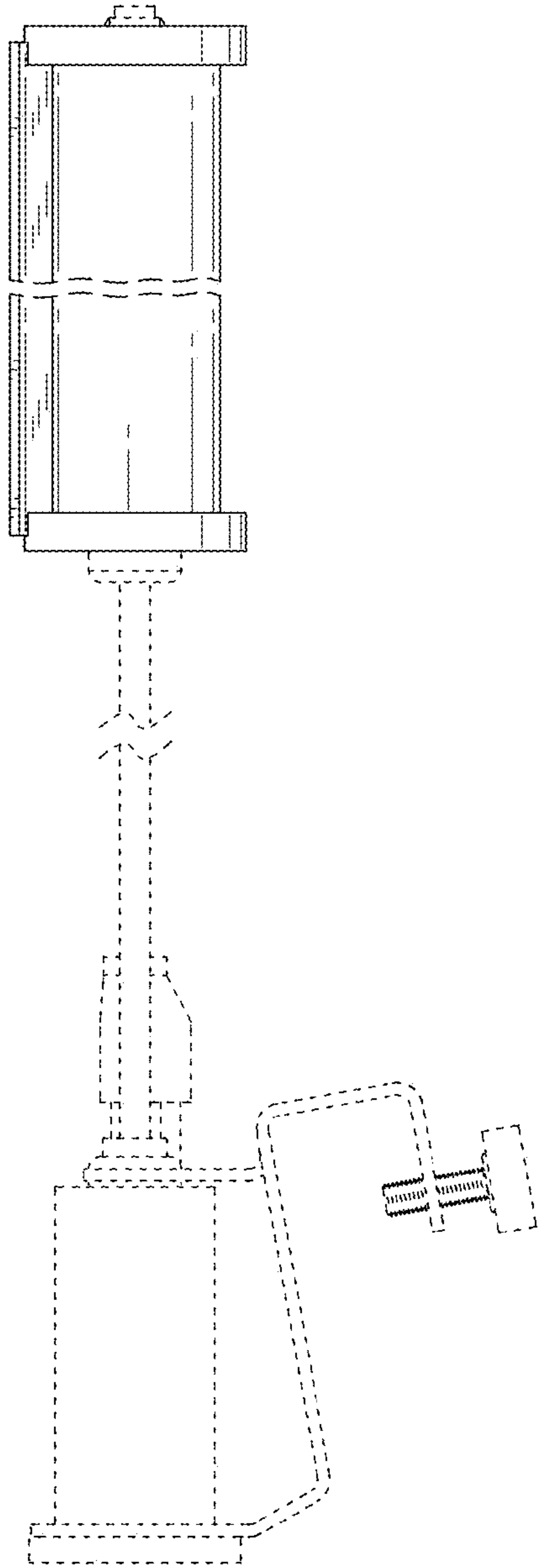


FIG. 5



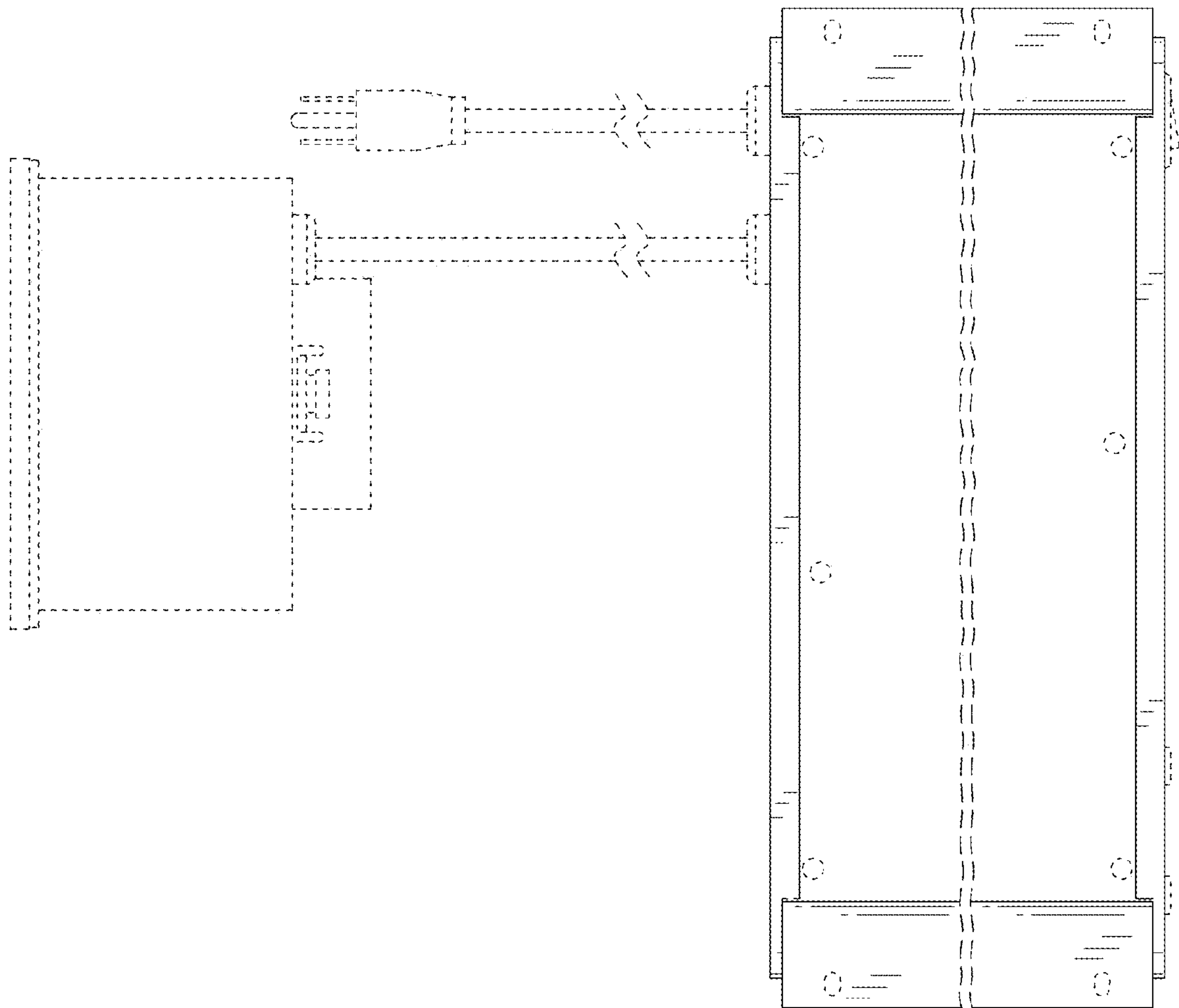


FIG. 8

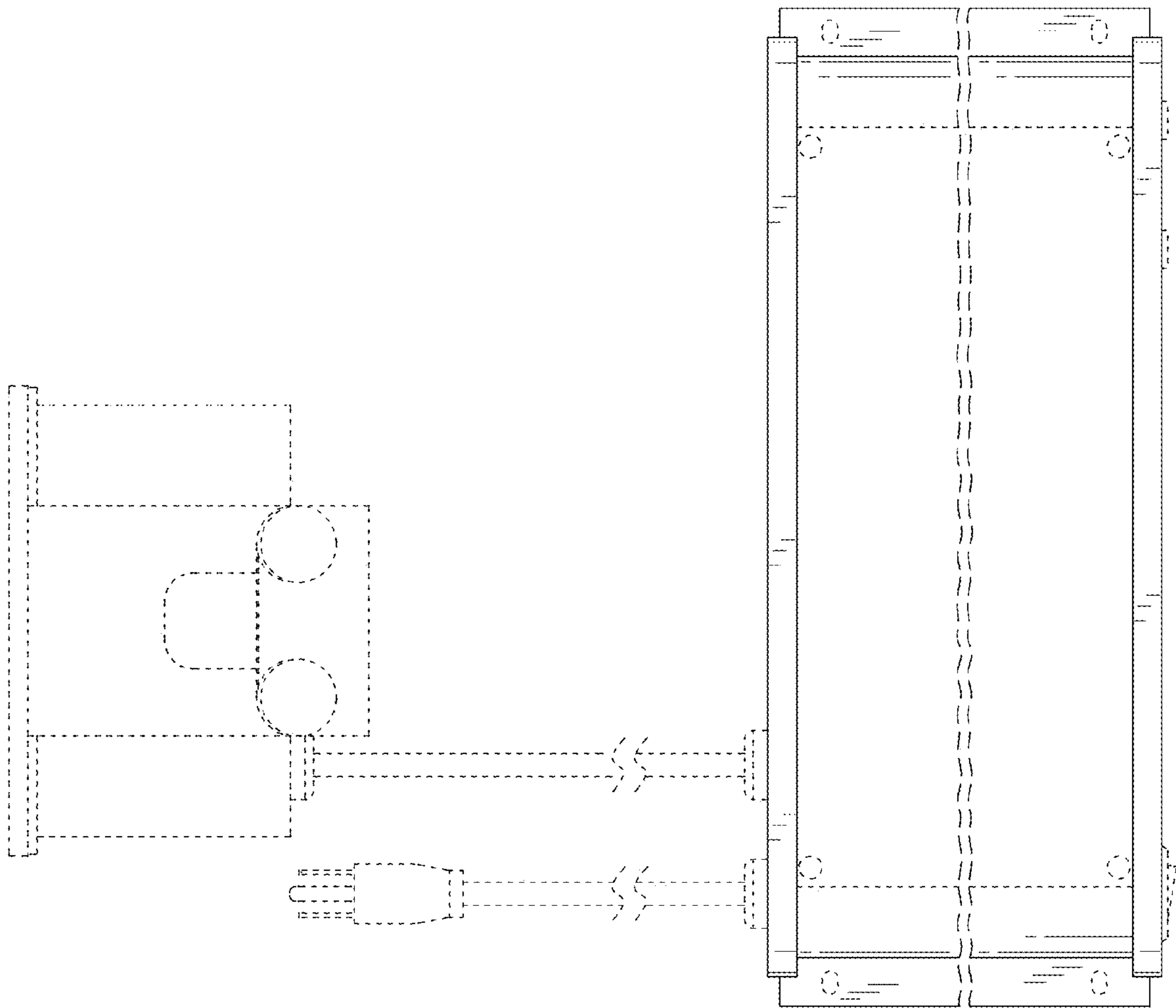


FIG. 9