



US00D986176S

(12) **United States Design Patent**  
**Kobuchi**

(10) **Patent No.:** **US D986,176 S**

(45) **Date of Patent:** **\*\* May 16, 2023**

(54) **CONNECTOR**

(71) Applicant: **Japan Aviation Electronics Industry, Limited**, Tokyo (JP)

(72) Inventor: **Toshiro Kobuchi**, Tokyo (JP)

(73) Assignee: **JAPAN AVIATION ELECTRONICS INDUSTRY, LIMITED**, Tokyo (JP)

(\*\*) Term: **15 Years**

(21) Appl. No.: **29/775,217**

(22) Filed: **Mar. 22, 2021**

(30) **Foreign Application Priority Data**

Dec. 8, 2020 (JP) ..... 2020-026411 D

(51) **LOC (14) Cl.** ..... **13-03**

(52) **U.S. Cl.**  
USPC ..... **D13/147**; D13/133

(58) **Field of Classification Search**  
USPC ..... D13/133, 146-147, 149, 154, 184, 199  
CPC ..... H01R 12/707; H01R 12/716; H01R 12/7088; H01R 13/20; H01R 13/6271  
See application file for complete search history.

(56) **References Cited**

**U.S. PATENT DOCUMENTS**

D684,120 S *	6/2013	Miyazaki	.....	D13/147
D695,691 S *	12/2013	Kobuchi	.....	D13/147
D696,201 S *	12/2013	Takenaga	.....	D13/147
D703,146 S *	4/2014	Takenaga	.....	D13/147
D721,040 S *	1/2015	Watanabe	.....	D13/147
9,666,963 B2 *	5/2017	He	.....	H01R 12/7088
10,396,484 B2 *	8/2019	Chen	.....	H01R 13/20
D885,347 S *	5/2020	Ishida	.....	D13/147
D894,842 S *	9/2020	Ashibu	.....	D13/147
D911,977 S *	3/2021	Ashibu	.....	D13/147

D967,776 S *	10/2022	Kobuchi	.....	D13/133
2012/0231637 A1 *	9/2012	Takeuchi	.....	H01R 12/716 439/65
2014/0227899 A1 *	8/2014	Tanaka	.....	H01R 13/6271 439/345
2016/0315430 A1 *	10/2016	Takeuchi	.....	H01R 12/707

\* cited by examiner

*Primary Examiner* — Shawn T Gingrich

*Assistant Examiner* — Bryan N. Melvin

(74) *Attorney, Agent, or Firm* — Manabu Kanesaka

(57) **CLAIM**

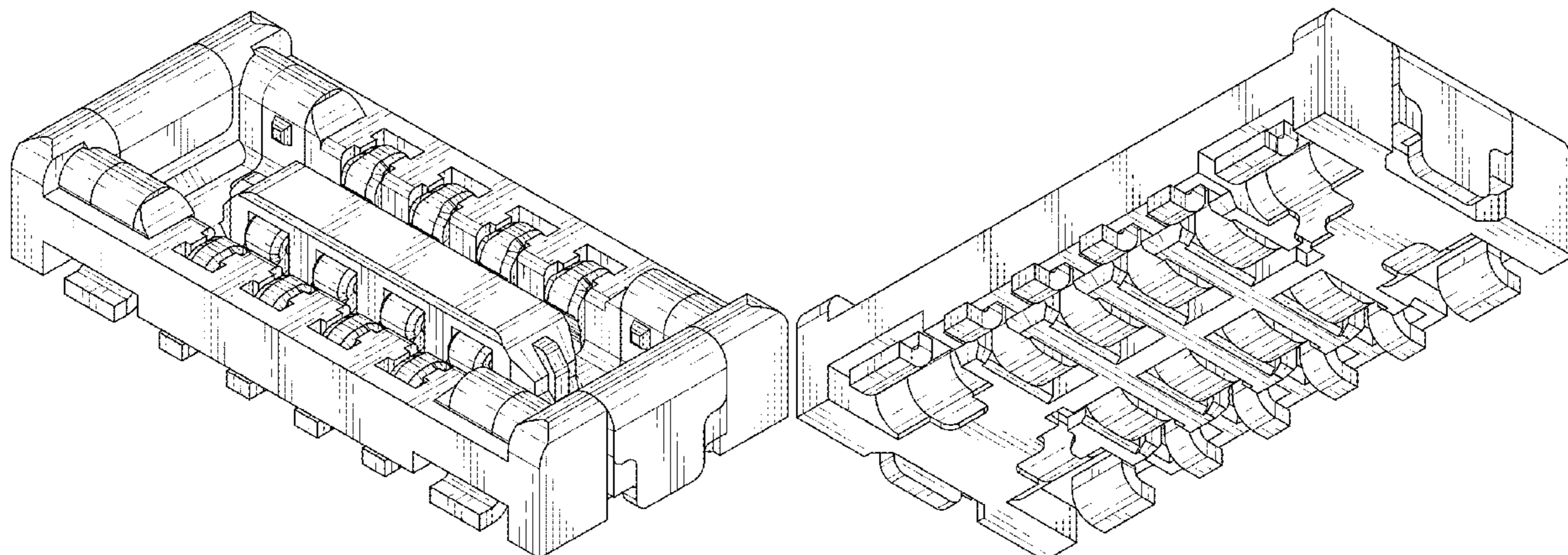
The ornamental design for a connector, as shown and described.

**DESCRIPTION**

FIG. 1 is a front elevational view of a connector showing my new design;  
 FIG. 2 is a rear elevational view thereof;  
 FIG. 3 is a right side elevational view thereof;  
 FIG. 4 is a left side elevational view thereof;  
 FIG. 5 is a top plan view thereof;  
 FIG. 6 is a bottom plan view thereof;  
 FIG. 7 is a perspective view showing a front, top and right side thereof;  
 FIG. 8 is a perspective view showing a rear, bottom and left side thereof;  
 FIG. 9 is a perspective view showing a front, right and bottom side thereof; and,  
 FIG. 10 is a perspective view showing a rear, left and top side thereof.

The broken line showing of the connector is for the purpose of illustrating portions of the article and forms no part of the claimed design.

**1 Claim, 5 Drawing Sheets**



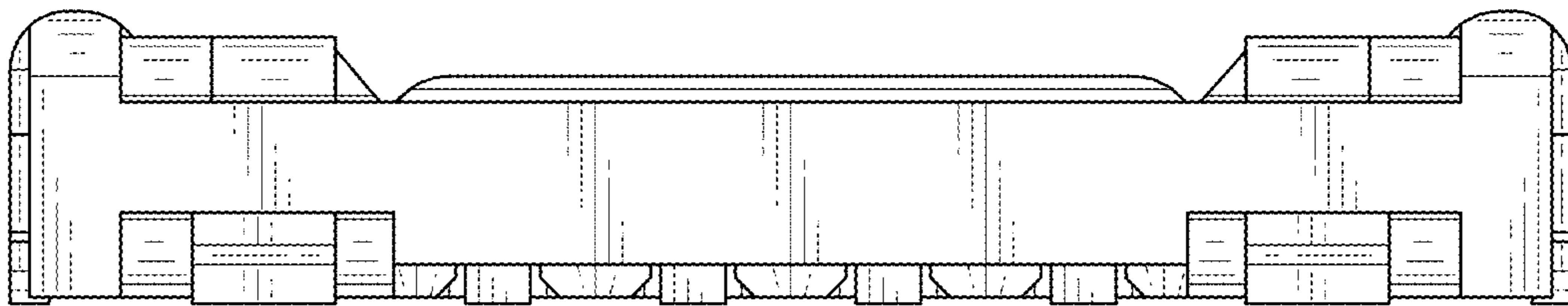


FIG. 1

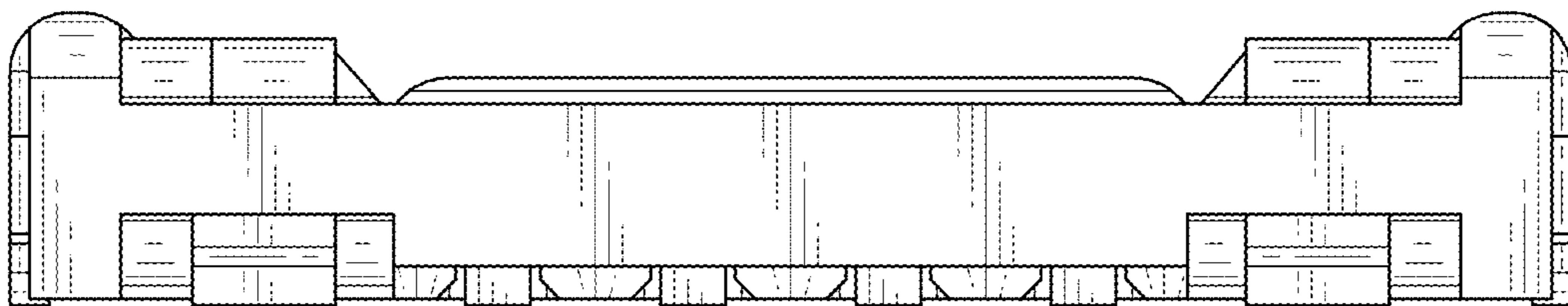


FIG. 2

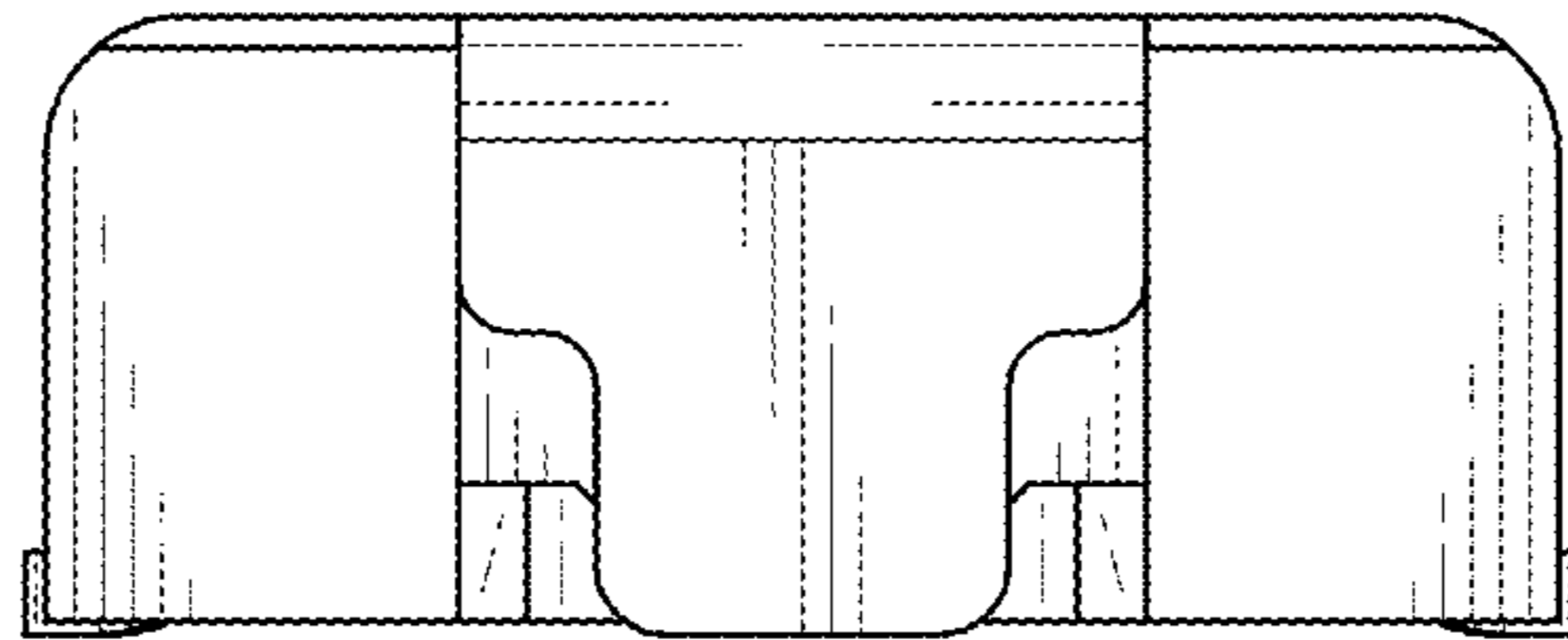


FIG. 3

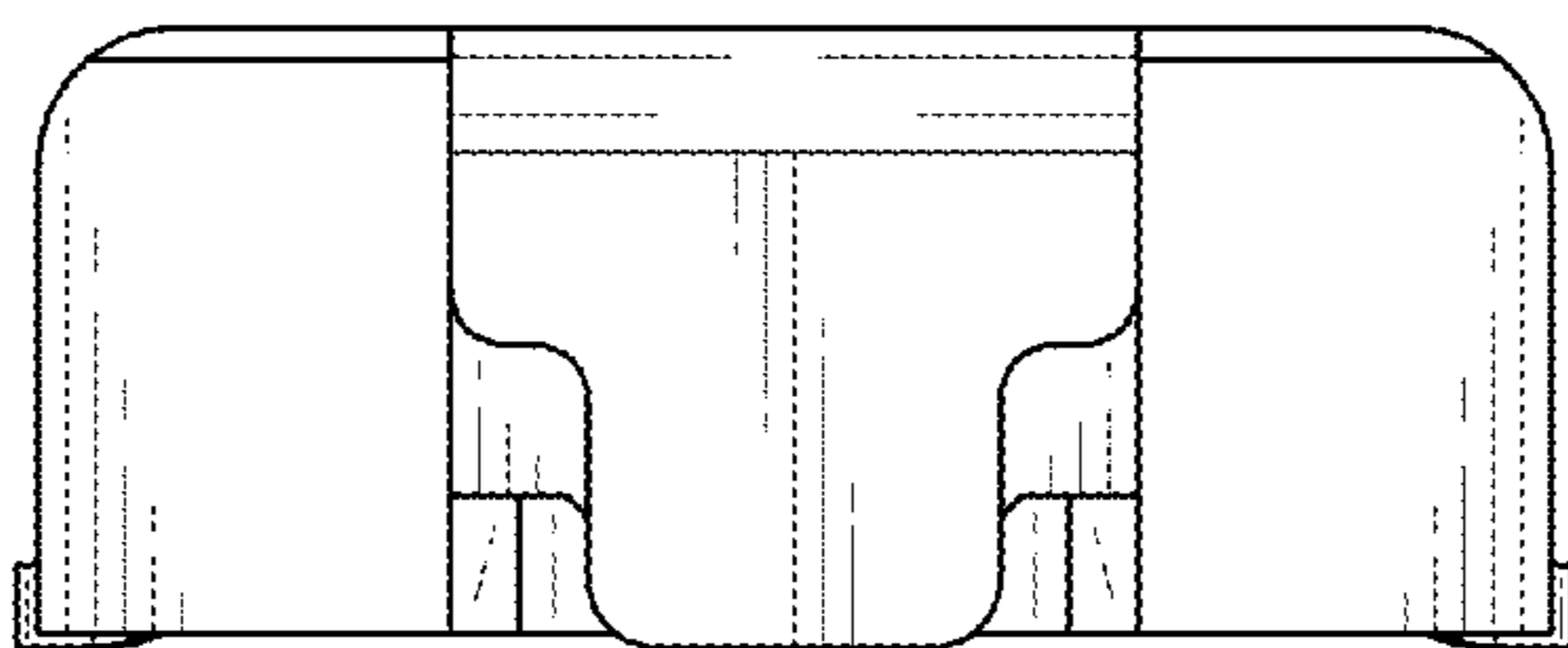


FIG. 4

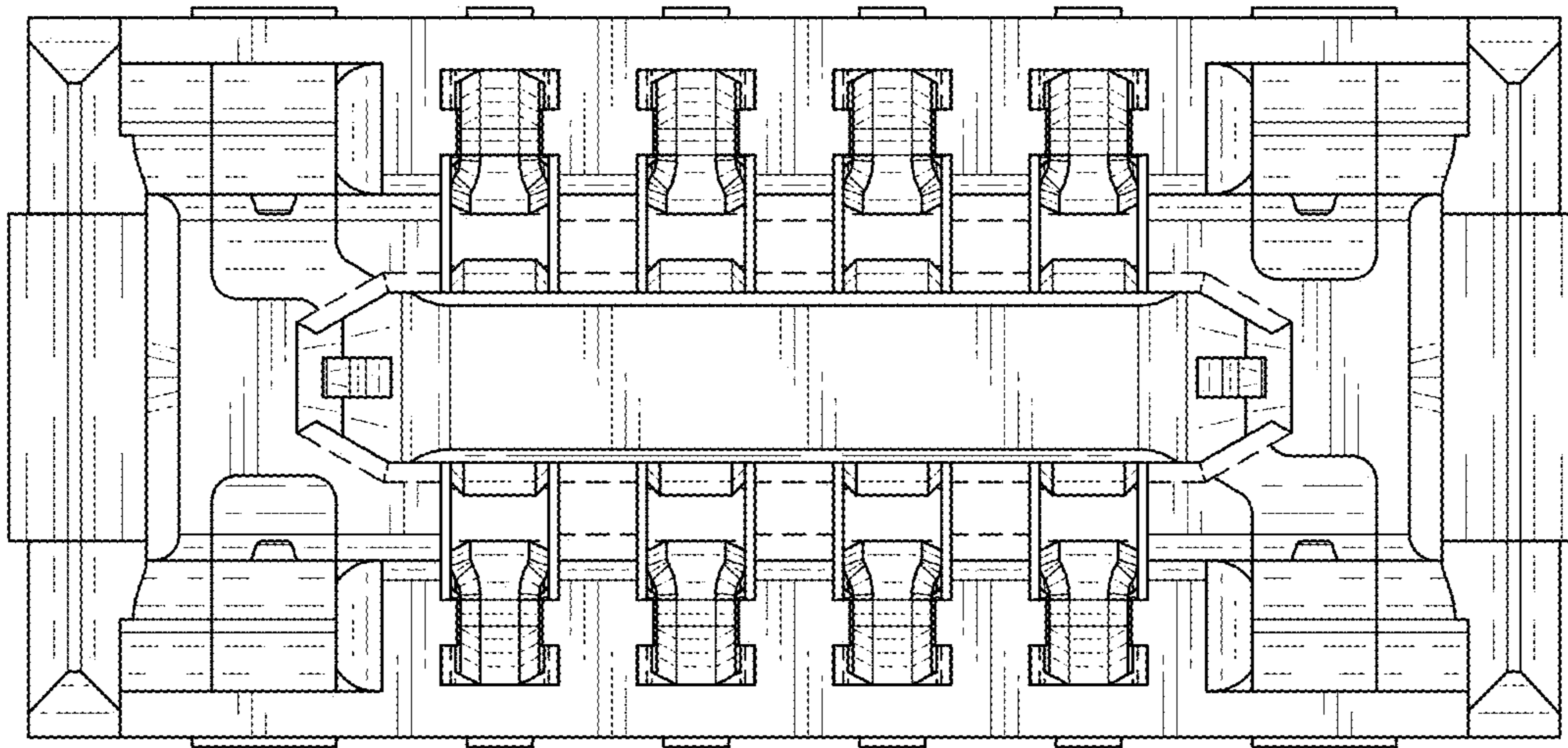


FIG. 5

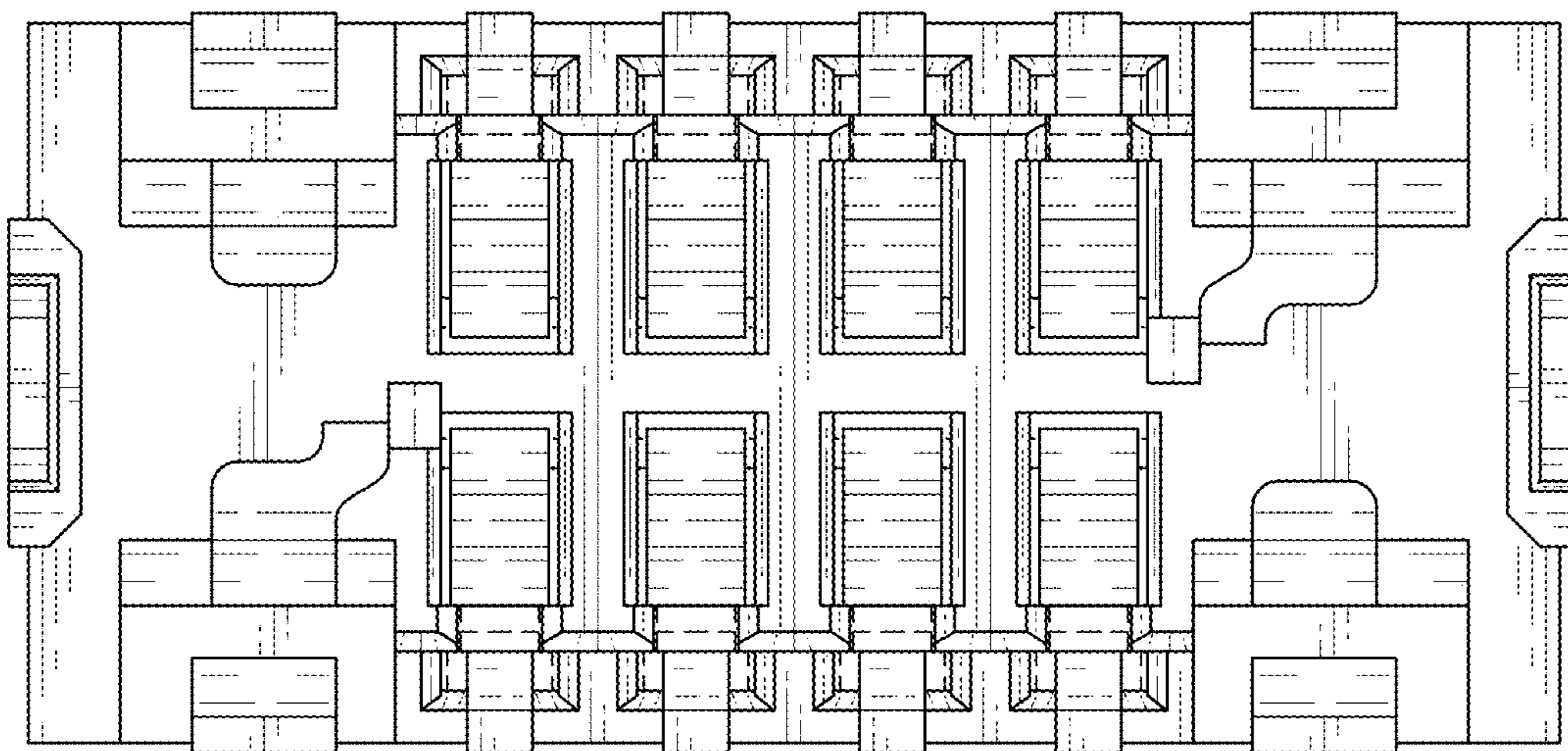


FIG. 6

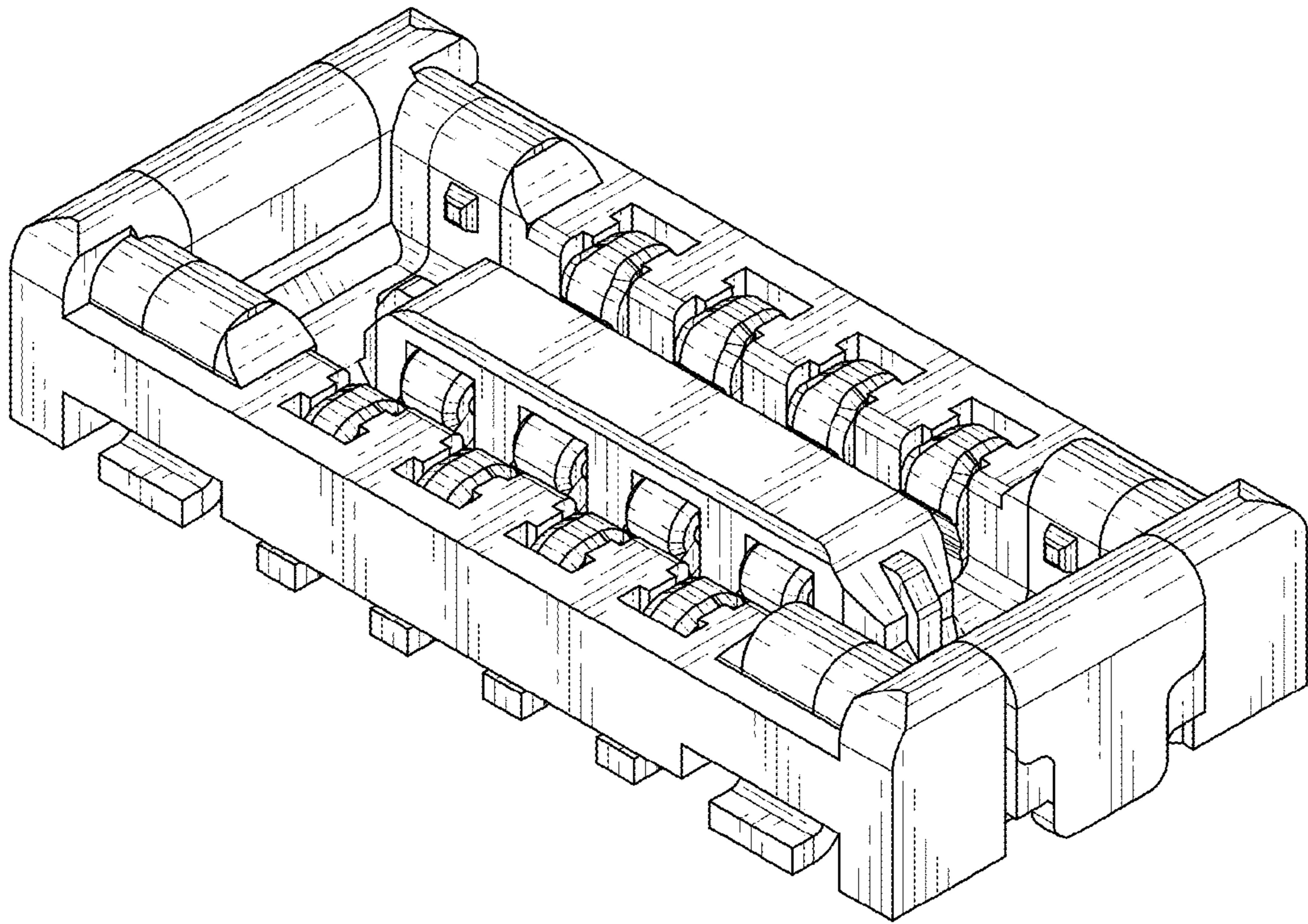


FIG. 7

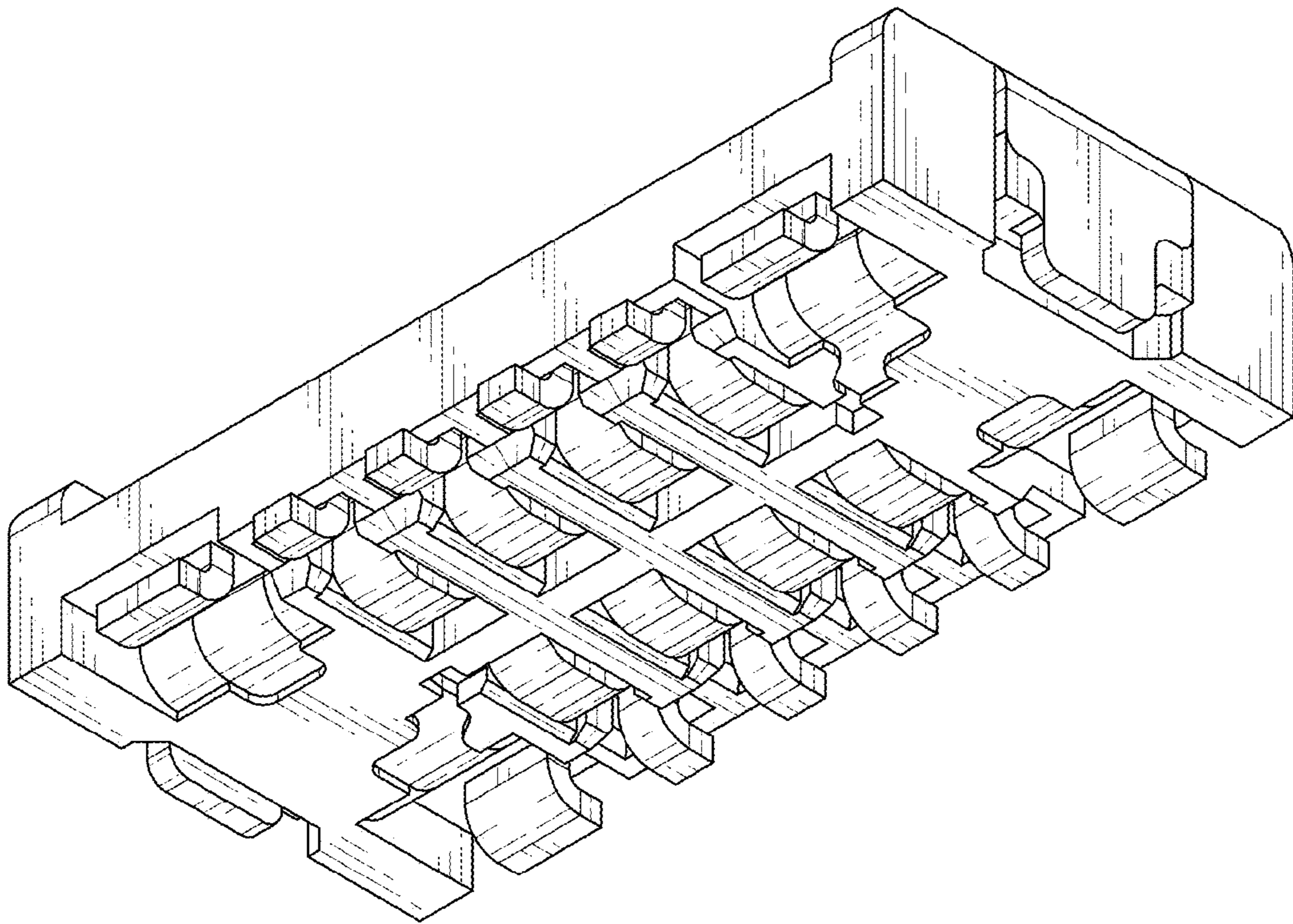


FIG. 8

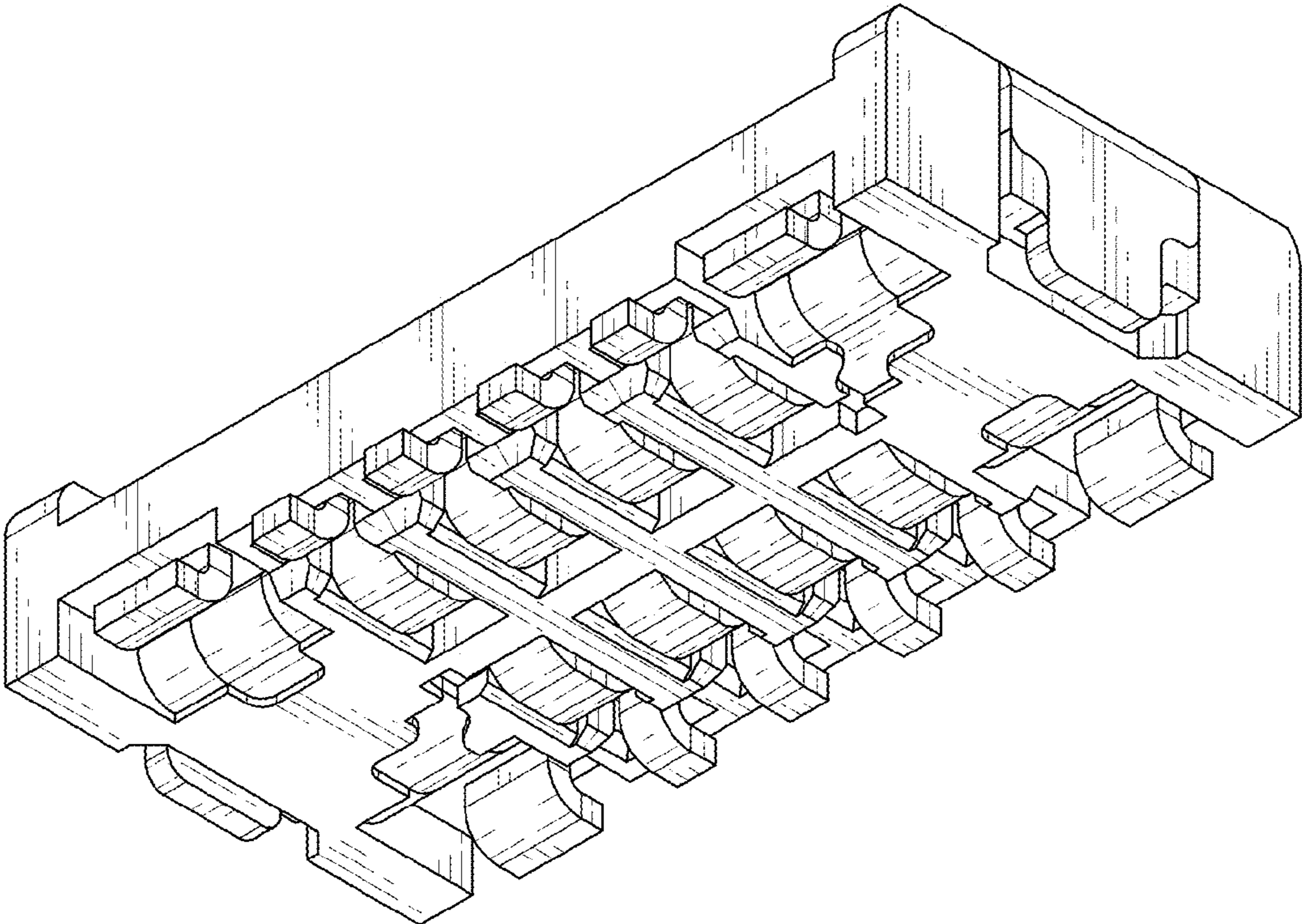


FIG. 9

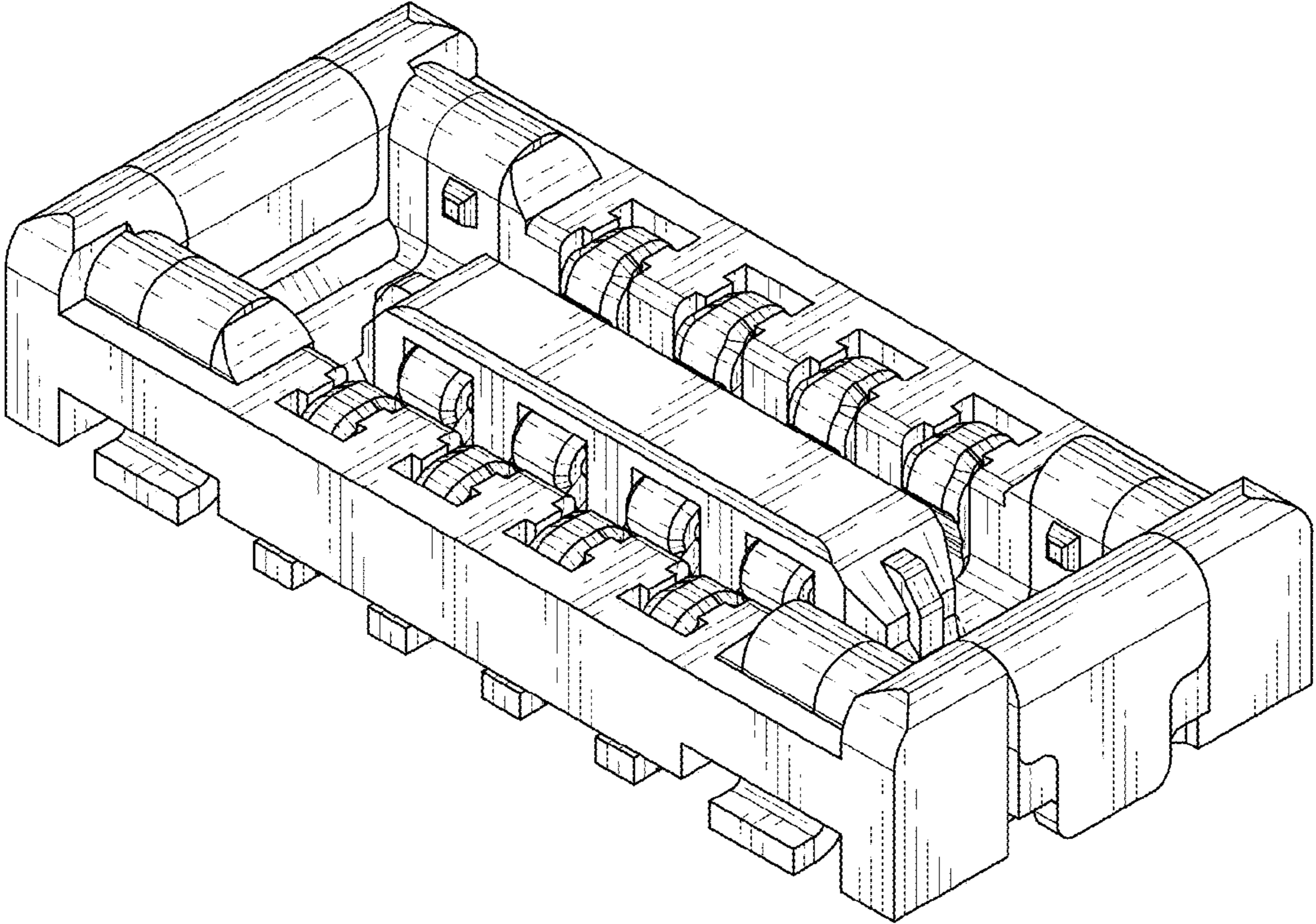


FIG. 10