



US00D986173S

(12) **United States Design Patent**
Lu et al.

(10) **Patent No.:** **US D986,173 S**

(45) **Date of Patent:** **** May 16, 2023**

(54) **BATTERY PROTECTIVE CASE**
(71) Applicant: **Shenzhen Ampere Time Digital Energy Technology Co., Ltd.,**
Shenzhen (CN)
(72) Inventors: **Haijun Lu, Shenzhen (CN); Lixin He,**
Shenzhen (CN); **Zhiyong Hu, Shenzhen**
(CN)

D401,551 S * 11/1998 Kim D13/106
D660,790 S * 5/2012 Elison D13/106
D753,586 S * 4/2016 Fujimoto D13/103
D758,303 S * 6/2016 Walker D13/103
D766,819 S 9/2016 Gjøvik et al.
10,446,808 B2* 10/2019 Elison H01M 10/06
D872,022 S 1/2020 Yang
D875,668 S 2/2020 Jiao
2017/0229687 A1* 8/2017 Elison H01M 50/358

(**) Term: **15 Years**
(21) Appl. No.: **29/858,810**
(22) Filed: **Nov. 4, 2022**

(30) **Foreign Application Priority Data**
Oct. 21, 2022 (CN) 202230697636.1
(51) **LOC (14) Cl.** **13-02**
(52) **U.S. Cl.**
USPC **D13/103; D13/106; D13/119**
(58) **Field of Classification Search**
USPC D3/294, 302; D13/102, 103, 104, 106,
D13/107, 108, 110, 116, 118, 119, 184
CPC H01M 10/06; H01M 50/30; H01M 50/147;
H01M 50/256; H01M 50/358
See application file for complete search history.

(56) **References Cited**
U.S. PATENT DOCUMENTS
947,575 A * 1/1910 Haschke H01M 50/30
16/DIG. 15
3,956,022 A * 5/1976 Fox H01M 50/256
429/187
D292,696 S * 11/1987 Sahli D13/106
D294,484 S * 3/1988 Kellett D13/106
4,752,543 A * 6/1988 Anderson H01M 50/147
429/89
5,440,785 A * 8/1995 McDonald H01M 50/256
16/DIG. 15
D400,849 S * 11/1998 Ikeda D13/106

OTHER PUBLICATIONS

Youtube, Date: May 19, 2022, [online], [site visited Dec. 28, 2022].
Available from internet, URL: https://www.youtube.com/watch?v=F9QB9mN_58s (Year: 2022).*

(Continued)

Primary Examiner — Shawn T Gingrich
Assistant Examiner — Bryan N. Melvin
(74) *Attorney, Agent, or Firm* — Rumit Ranjit Kanakia

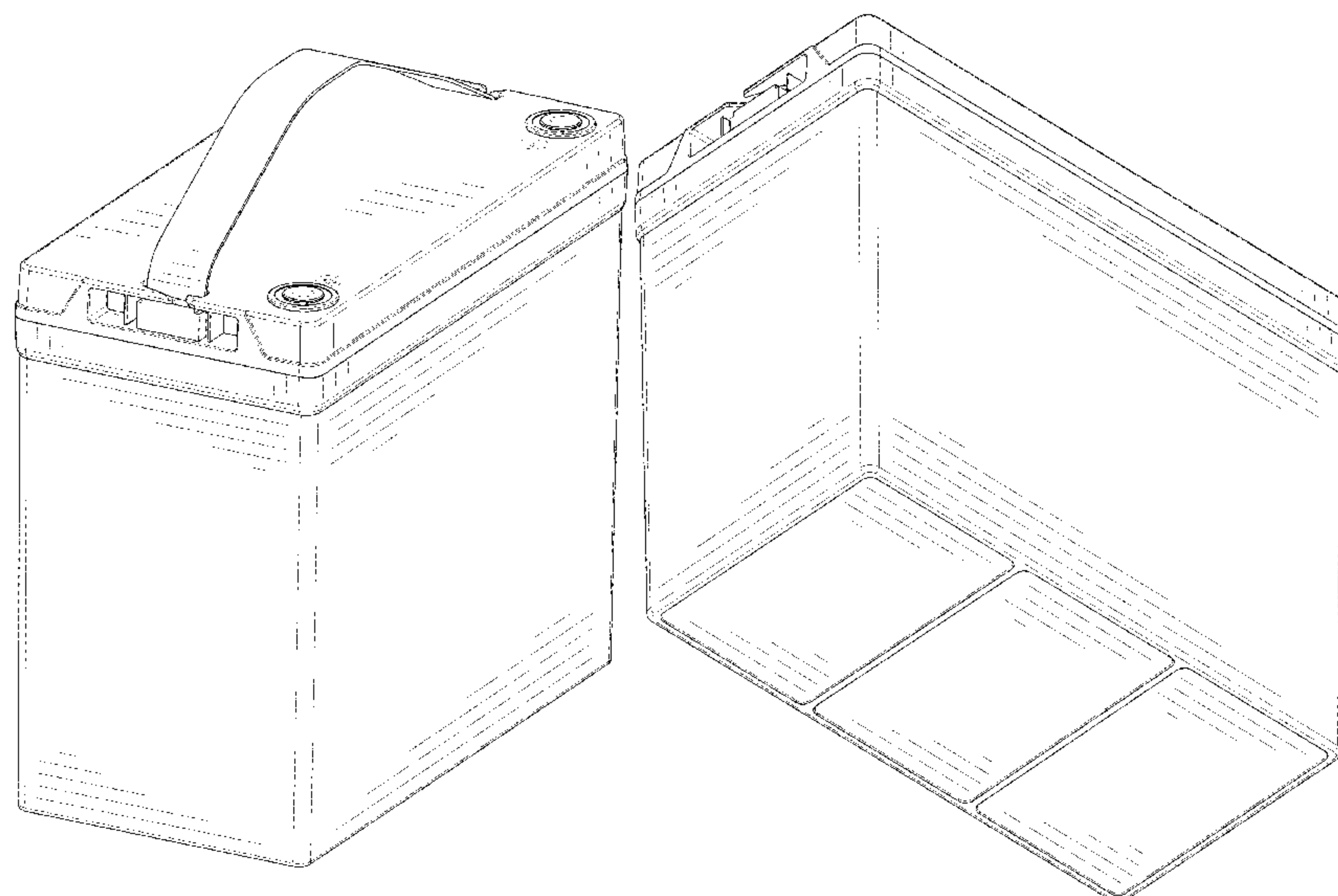
(57) **CLAIM**

The ornamental design for a battery protective case, as shown and described.

DESCRIPTION

FIG. 1 is a first perspective view of a battery protective case showing our new design;
FIG. 2 is a second perspective view thereof;
FIG. 3 is a front view thereof;
FIG. 4 is a back view thereof;
FIG. 5 is a left side view thereof;
FIG. 6 is a right side view thereof;
FIG. 7 is a top view thereof; and,
FIG. 8 is a bottom view thereof.
The broken lines shown in the drawings depict portions of the battery protective ease that form no part of the claimed design.

1 Claim, 8 Drawing Sheets



(56)

References Cited

OTHER PUBLICATIONS

AmpereTime, Date: May 22, 2022, [online], [site visited Dec. 28, 2022]. Available from internet, URL: <https://www.amperetime.com/products/ampere-time-12v-100ah-lithium-lifepo4-battery> (Year: 2022).*

* cited by examiner

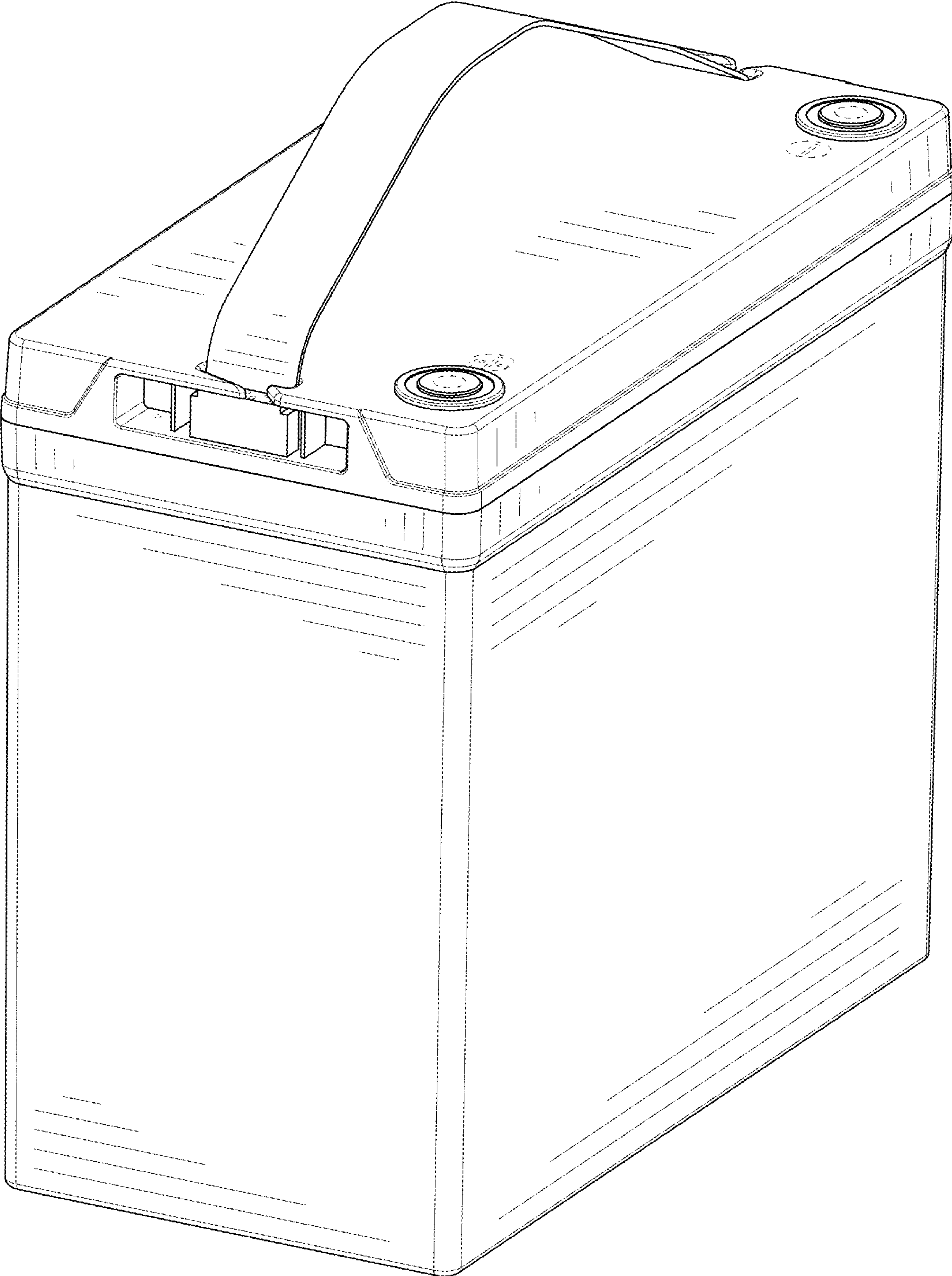


FIG. 1

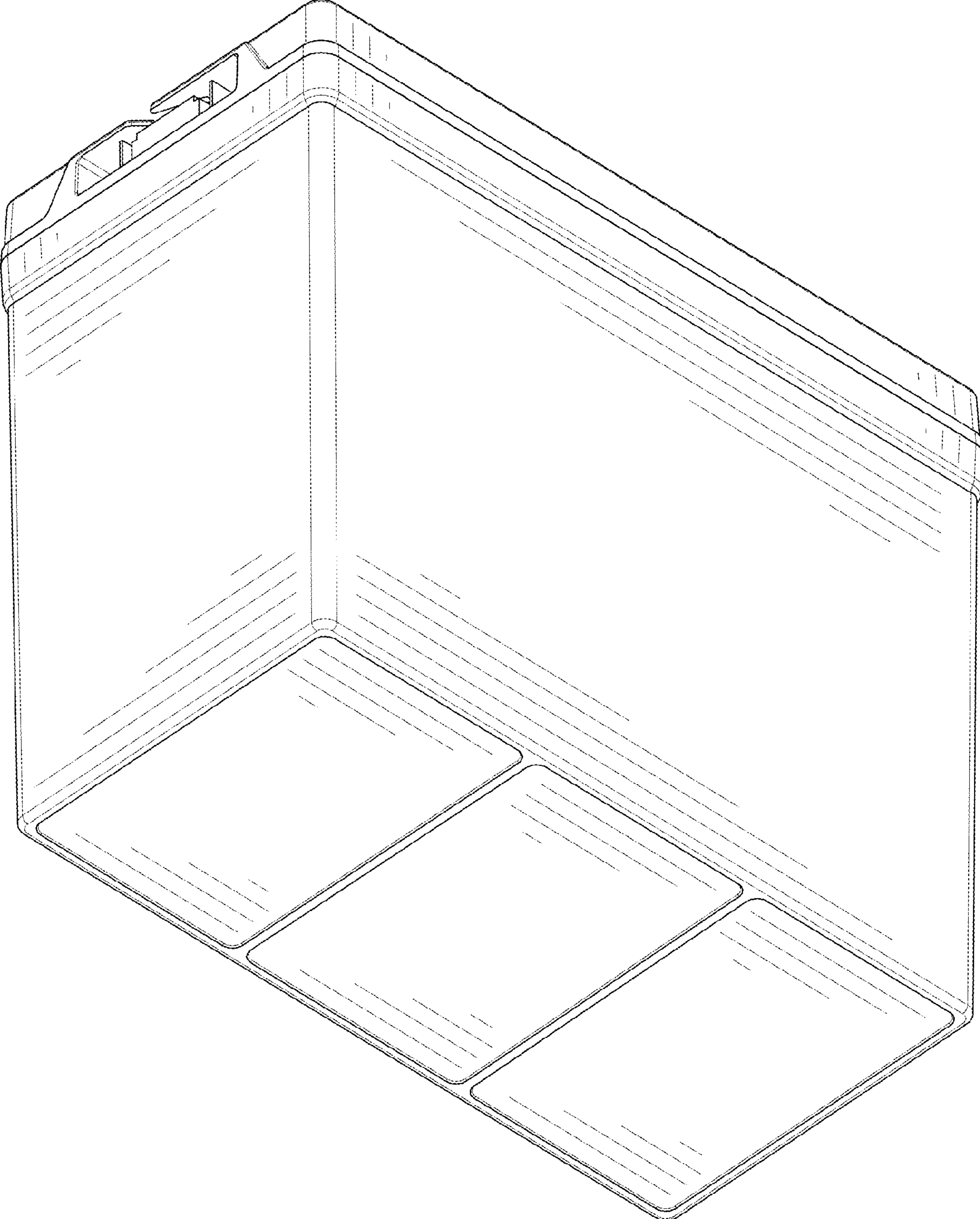


FIG. 2

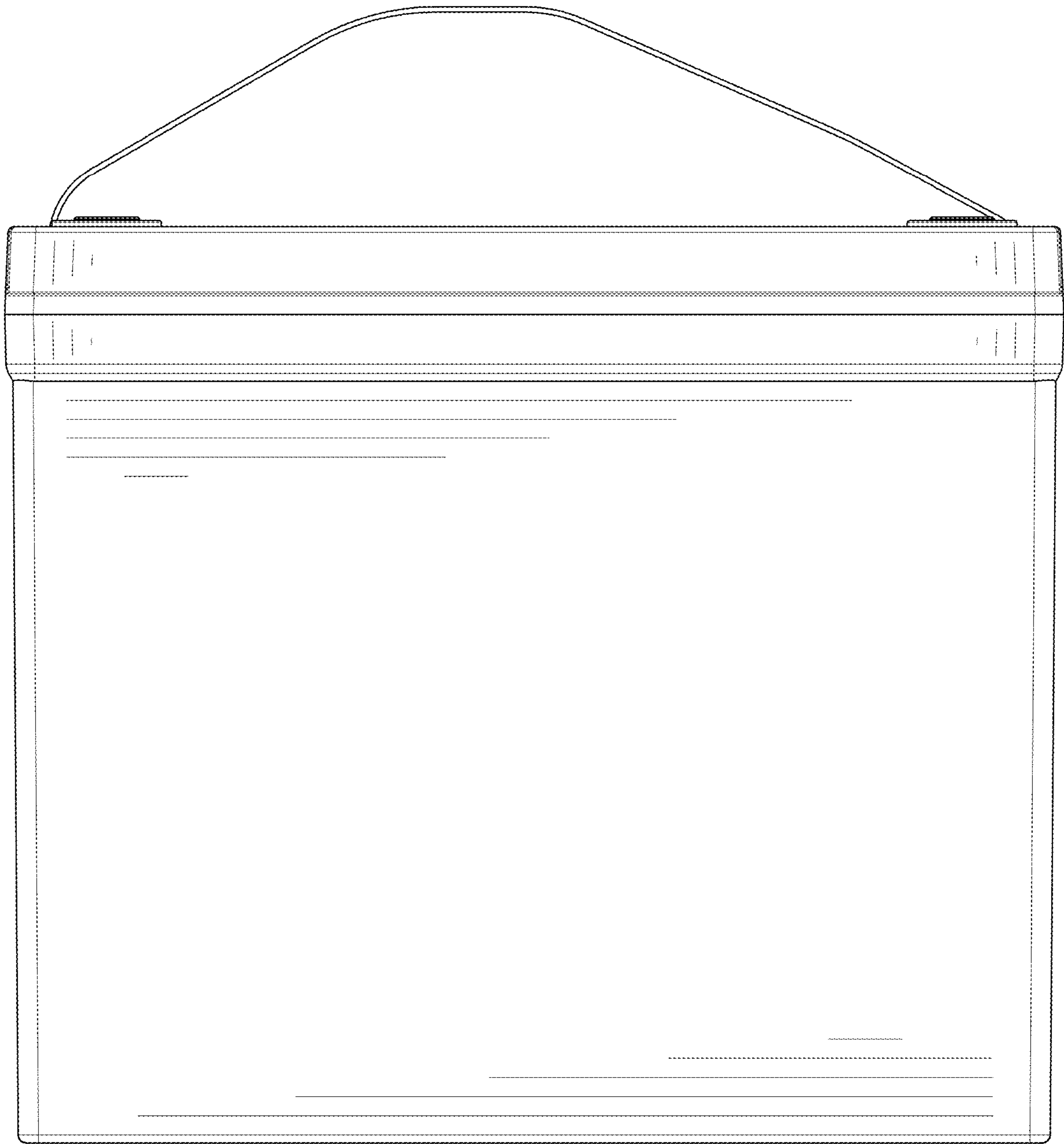


FIG. 3

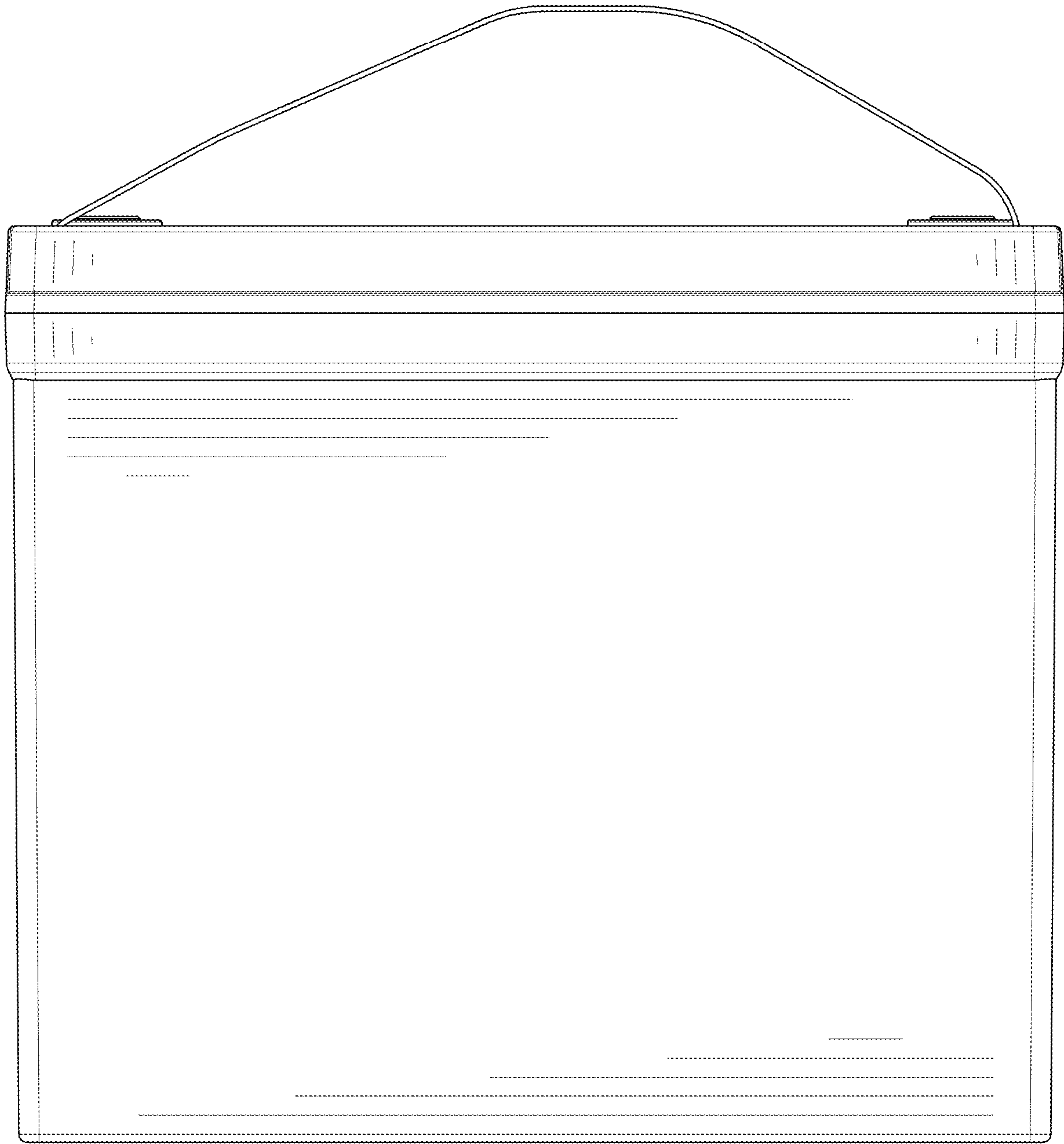


FIG. 4

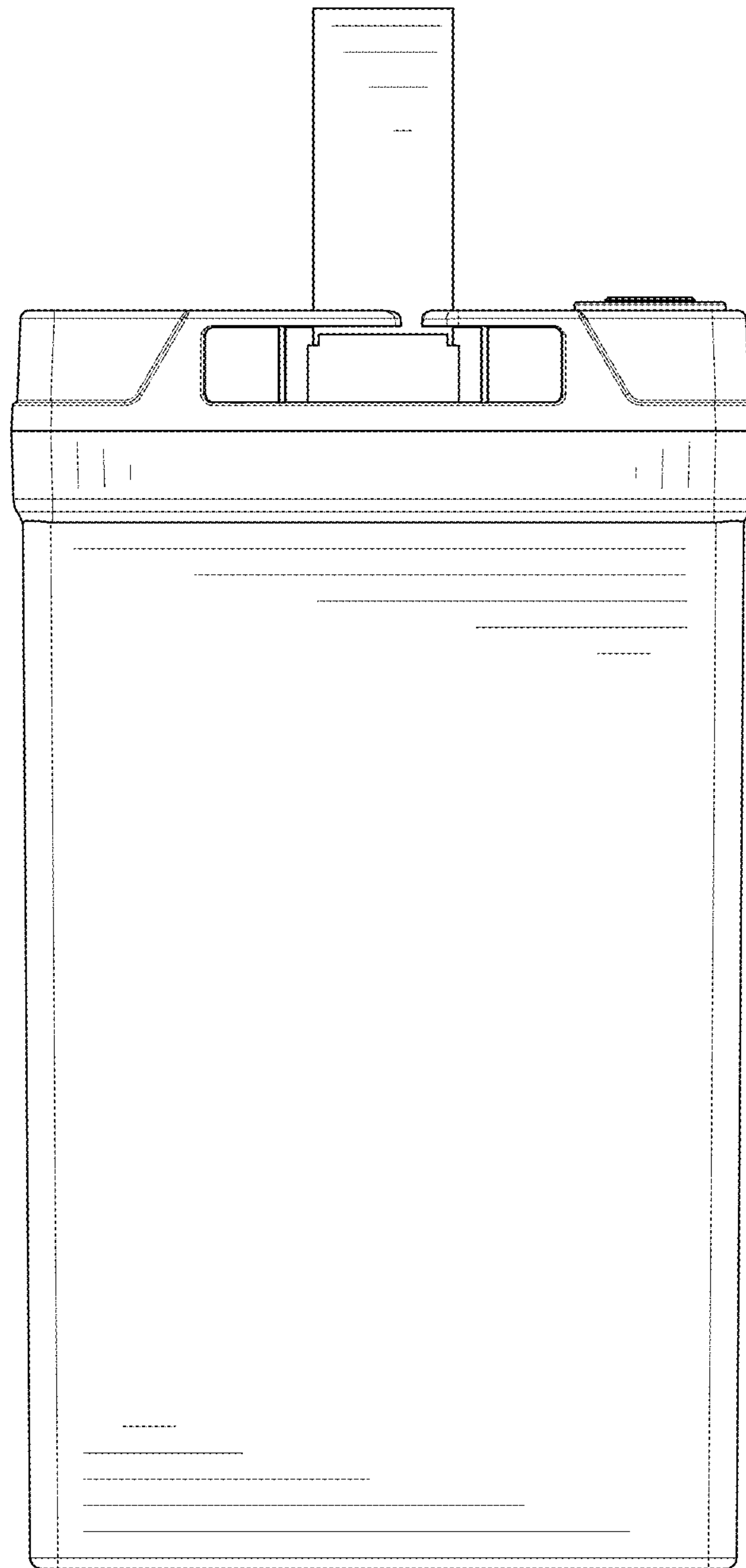


FIG. 5

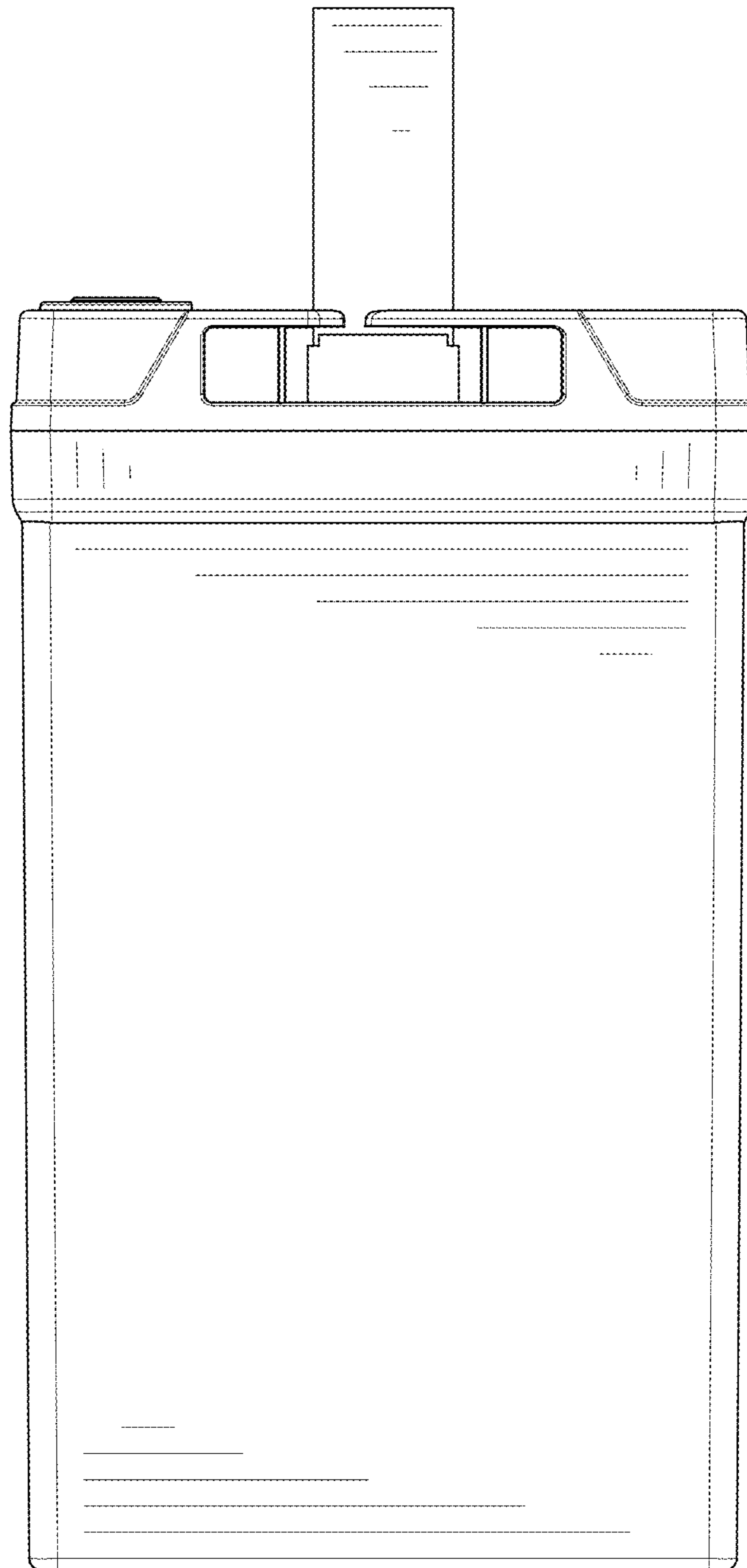


FIG. 6

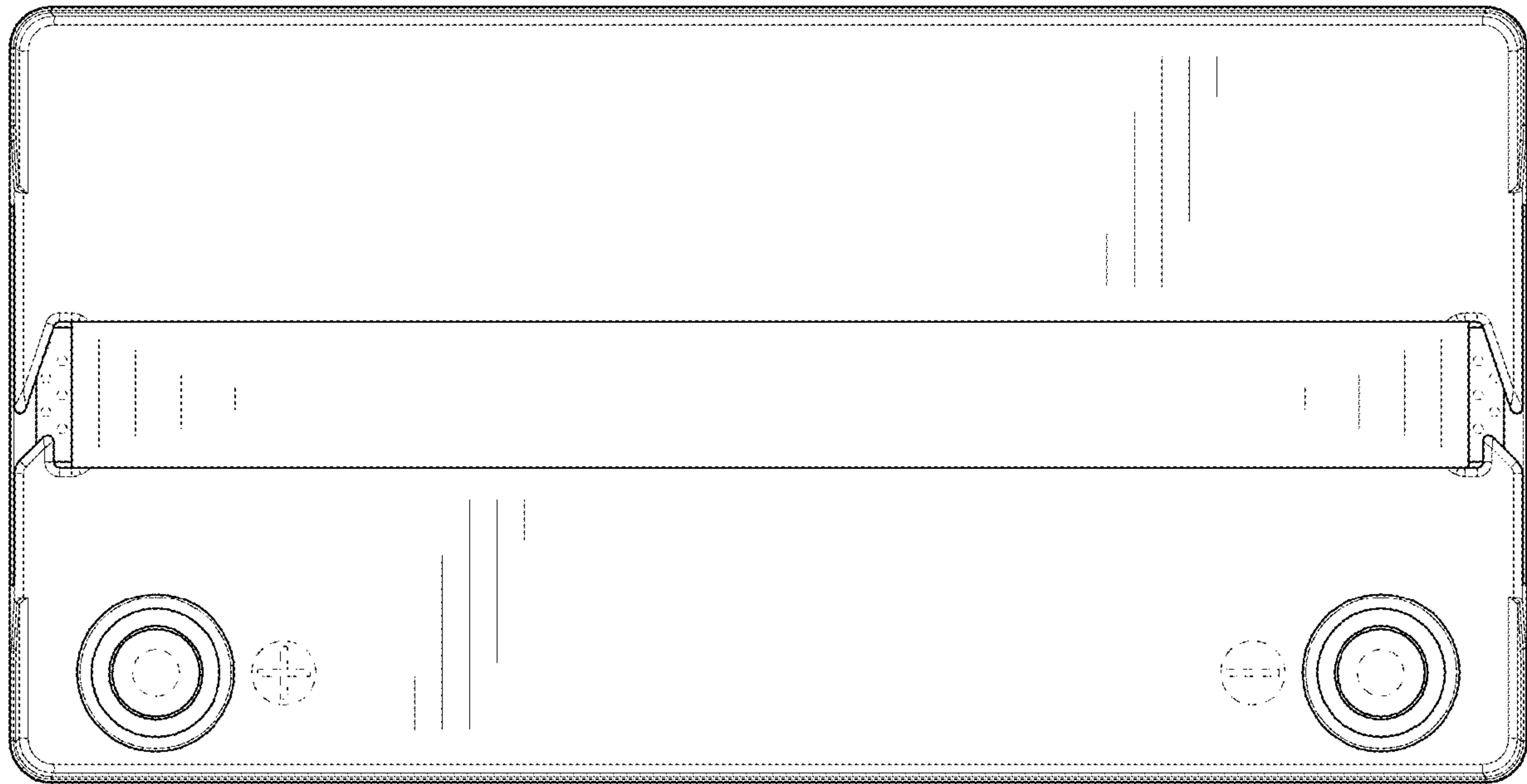


FIG. 7

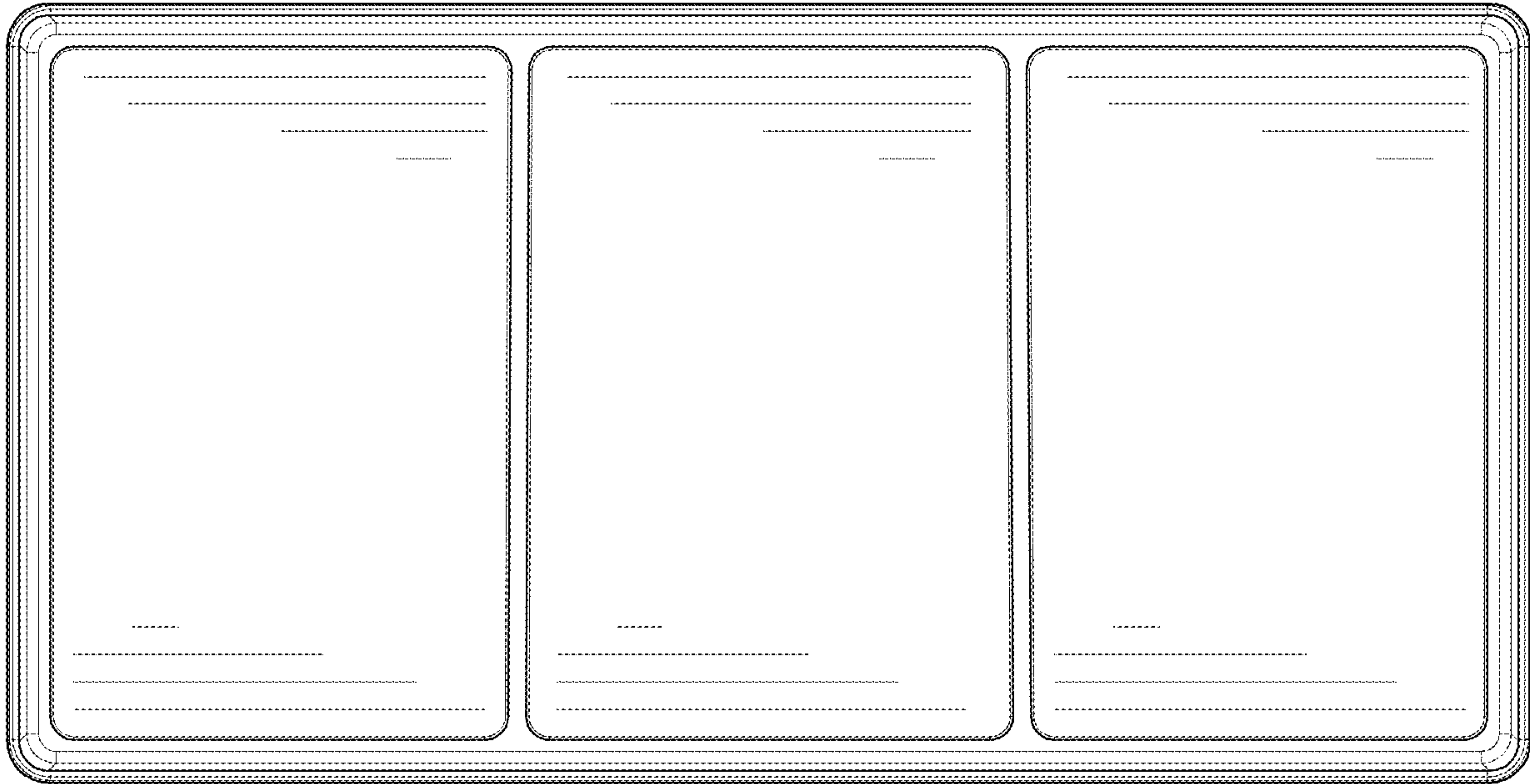


FIG. 8