



US00D986172S

(12) **United States Design Patent**
Roberts

(10) **Patent No.:** **US D986,172 S**

(45) **Date of Patent:** **** May 16, 2023**

(54) **ROTOR AND FIELD COIL ASSEMBLY**

(71) Applicant: **Rapid Rewinding Pty Ltd**, Red Hill (AU)

(72) Inventor: **Mark Roberts**, Brisbane (AU)

(73) Assignee: **Rapid Rewinding Pty Ltd**, Red Hill (AU)

(**) Term: **15 Years**

(21) Appl. No.: **29/795,828**

(22) Filed: **Jun. 21, 2021**

(30) **Foreign Application Priority Data**

Dec. 22, 2020 (AU) 202017033

(51) **LOC (14) Cl.** **13-01**

(52) **U.S. Cl.**
USPC **D13/117**

(58) **Field of Classification Search**
USPC D13/117, 101, 118, 133, 179, 183, 199;
D15/5, 199
CPC H01F 27/04; H01F 27/24; H01F 27/26;
H01F 27/28; H01F 27/29; H01F 27/30;
H01F 27/34; H01F 27/006; H01F 27/292;
H01F 27/325; H01F 38/08; H01F 17/04;
H01F 17/045; H01F 37/00; H01F 5/02;
H02M 3/28; H03H 7/427; G01R 1/04
See application file for complete search history.

(56) **References Cited**

U.S. PATENT DOCUMENTS

D245,499 S * 8/1977 Andreas D13/112
D441,715 S * 5/2001 Sasaki D13/122

D502,917 S * 3/2005 Bird D13/114
D638,807 S * 5/2011 Chan D13/179
D709,450 S * 7/2014 Tanabe D13/112
D726,110 S * 4/2015 Wang D13/122
2009/0096313 A1* 4/2009 Harada H02K 3/522
977/932

* cited by examiner

Primary Examiner — Derrick E Holland

(74) *Attorney, Agent, or Firm* — Heslin Rothenberg Farley & Mesiti, P.C.

(57) **CLAIM**

I claim the ornamental design for a rotor and field coil assembly, as shown and described.

DESCRIPTION

FIG. 1 is a top, front isometric view of a rotor and field coil assembly in a coupled state in accordance with my new design;

FIG. 2 is a side view thereof;

FIG. 3 is a front view thereof;

FIG. 4 is a rear view thereof;

FIG. 5 is a top, rear isometric view thereof;

FIG. 6 is a top, front isometric view of the design shown in FIG. 1 in an uncoupled state;

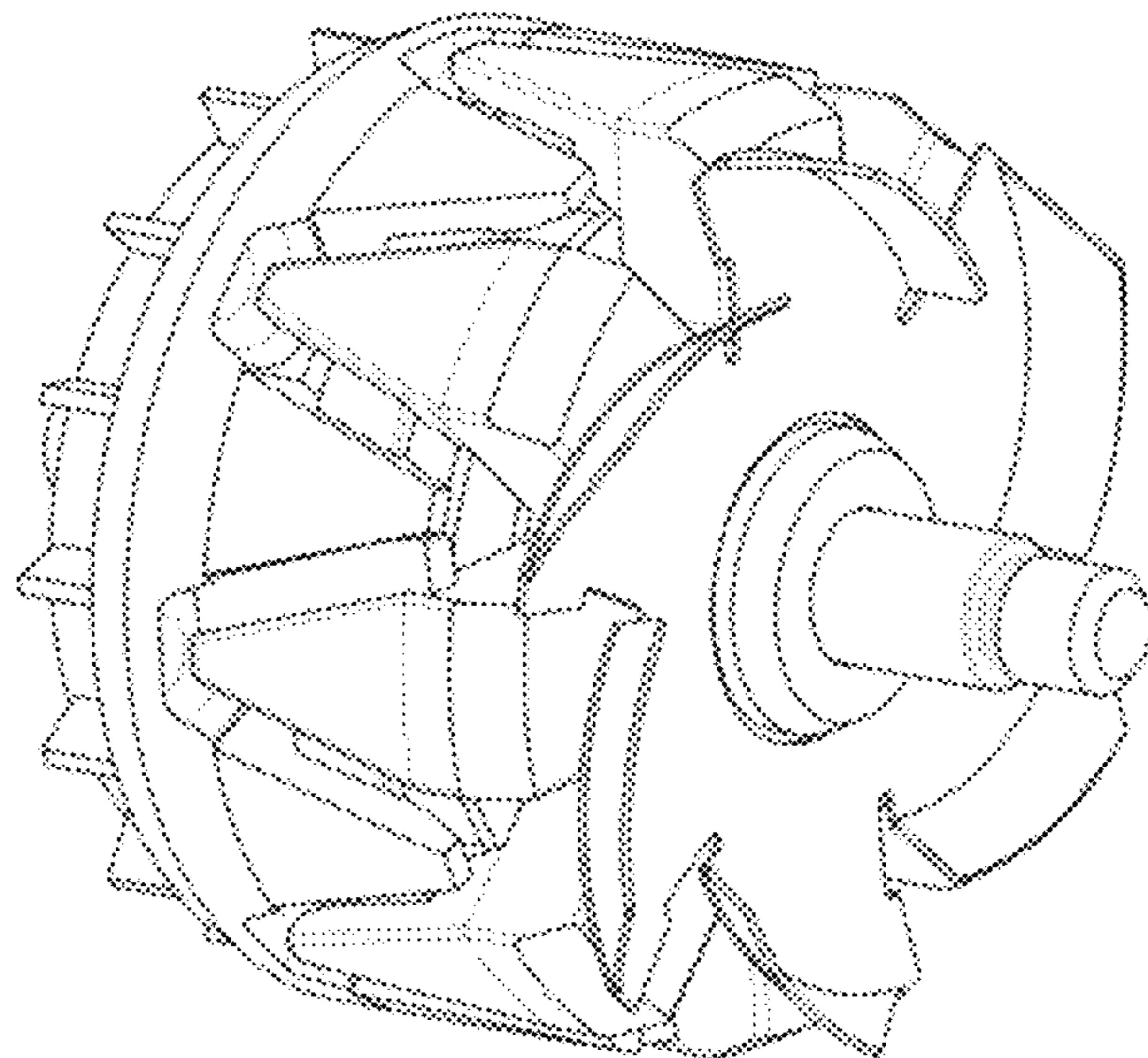
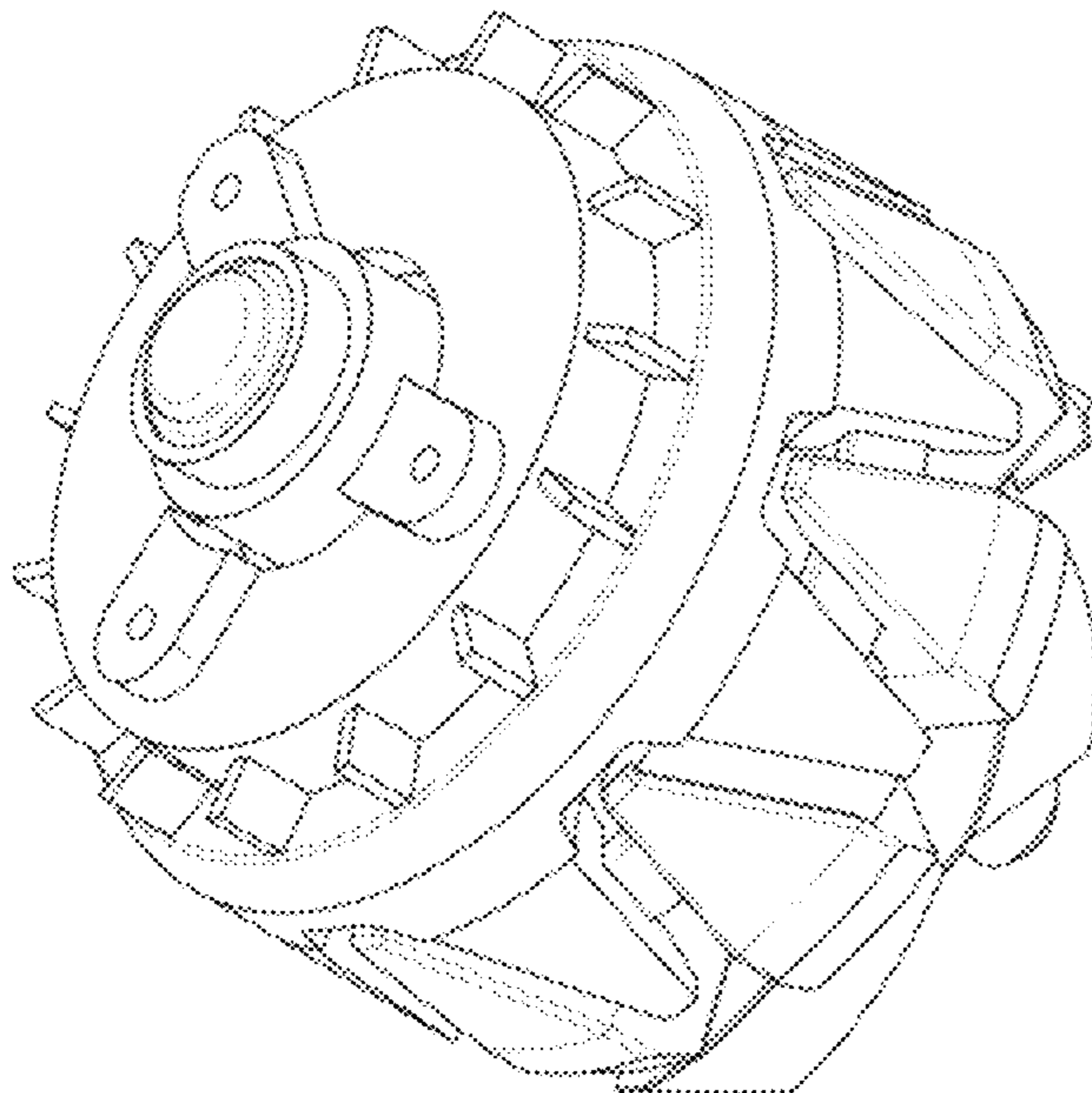
FIG. 7 is a side view thereof;

FIG. 8 is a front view thereof;

FIG. 9 is a rear view thereof; and,

FIG. 10 is a top, rear isometric view thereof.

1 Claim, 10 Drawing Sheets



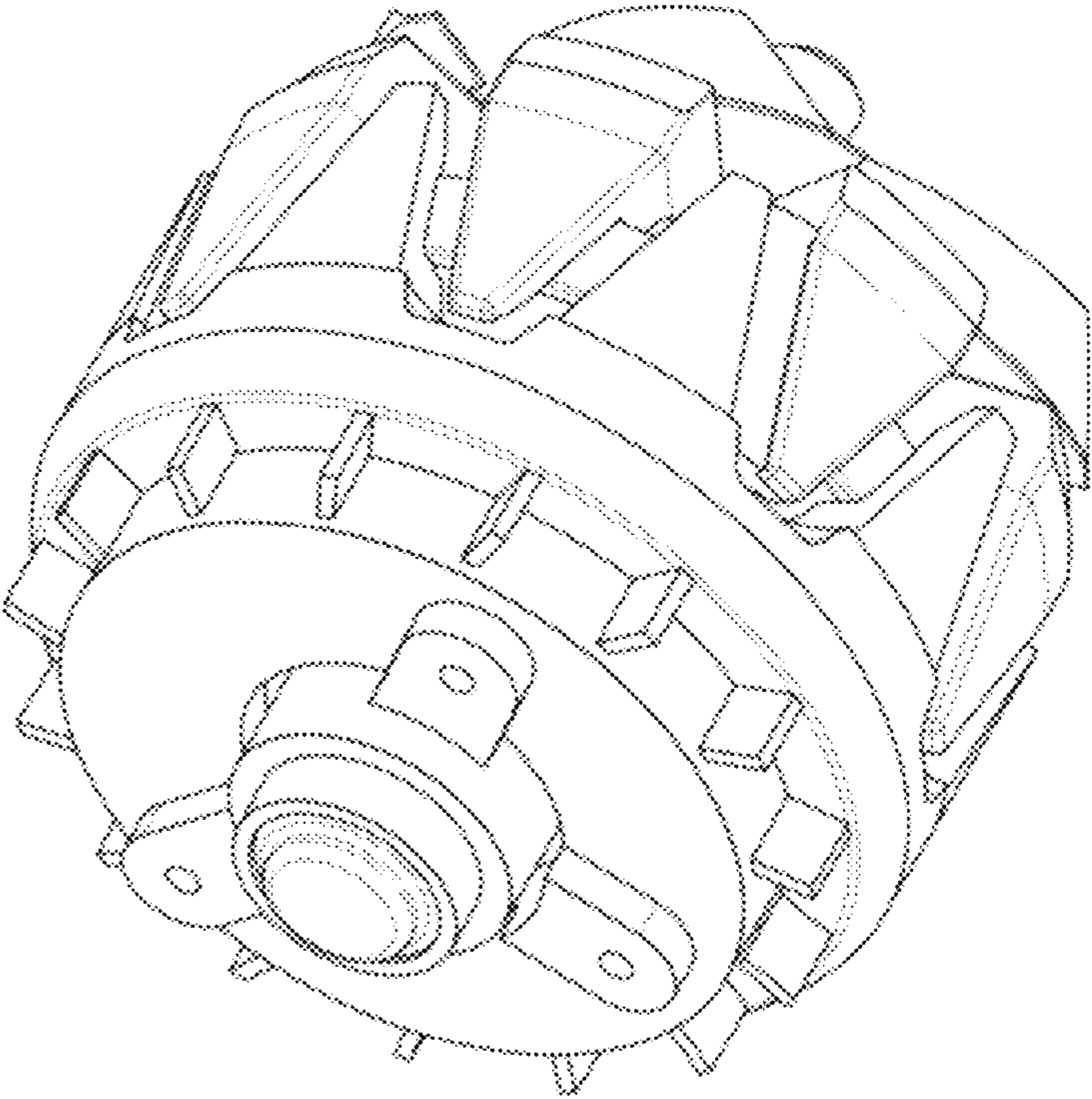


FIGURE 1

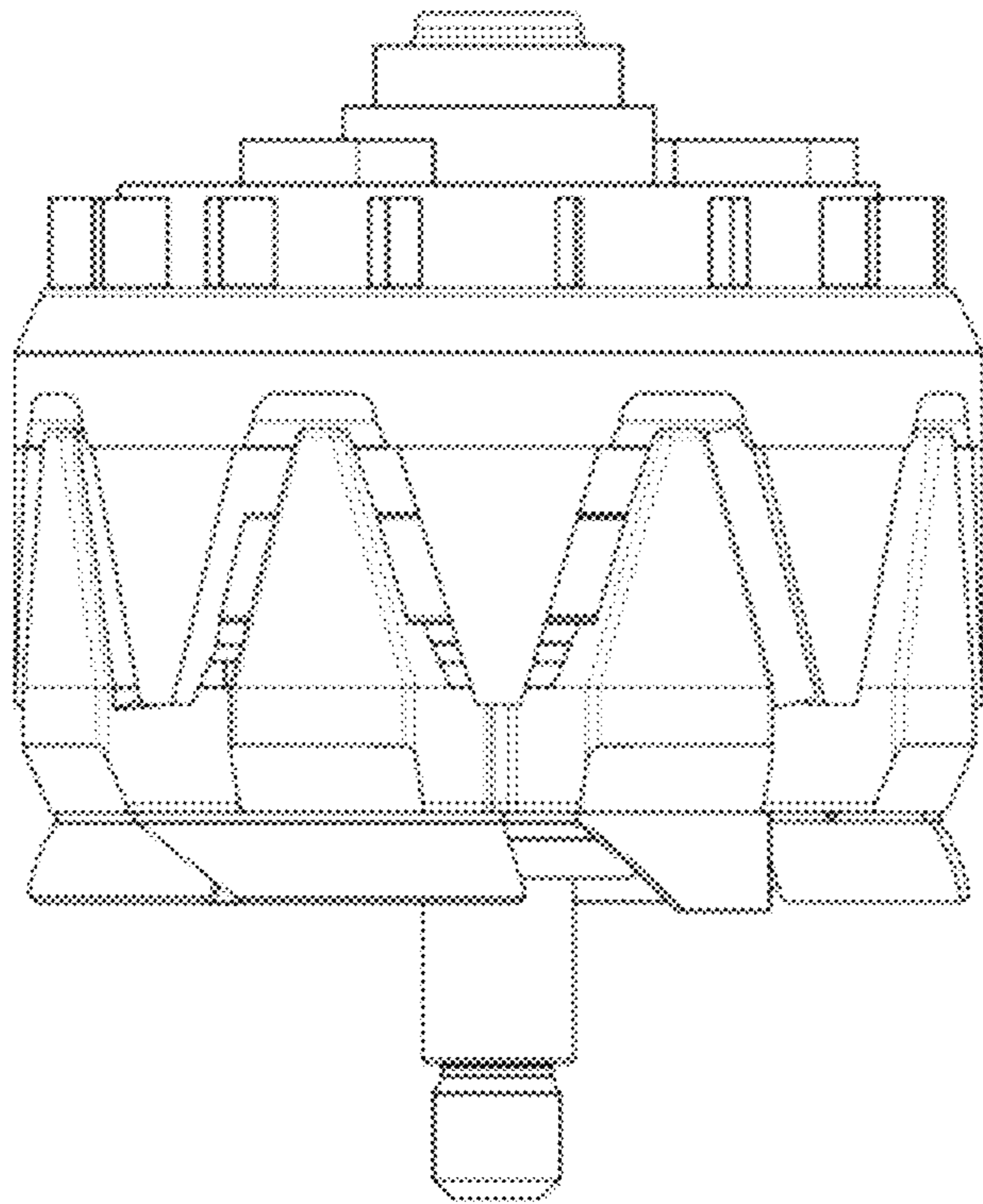


FIGURE 2

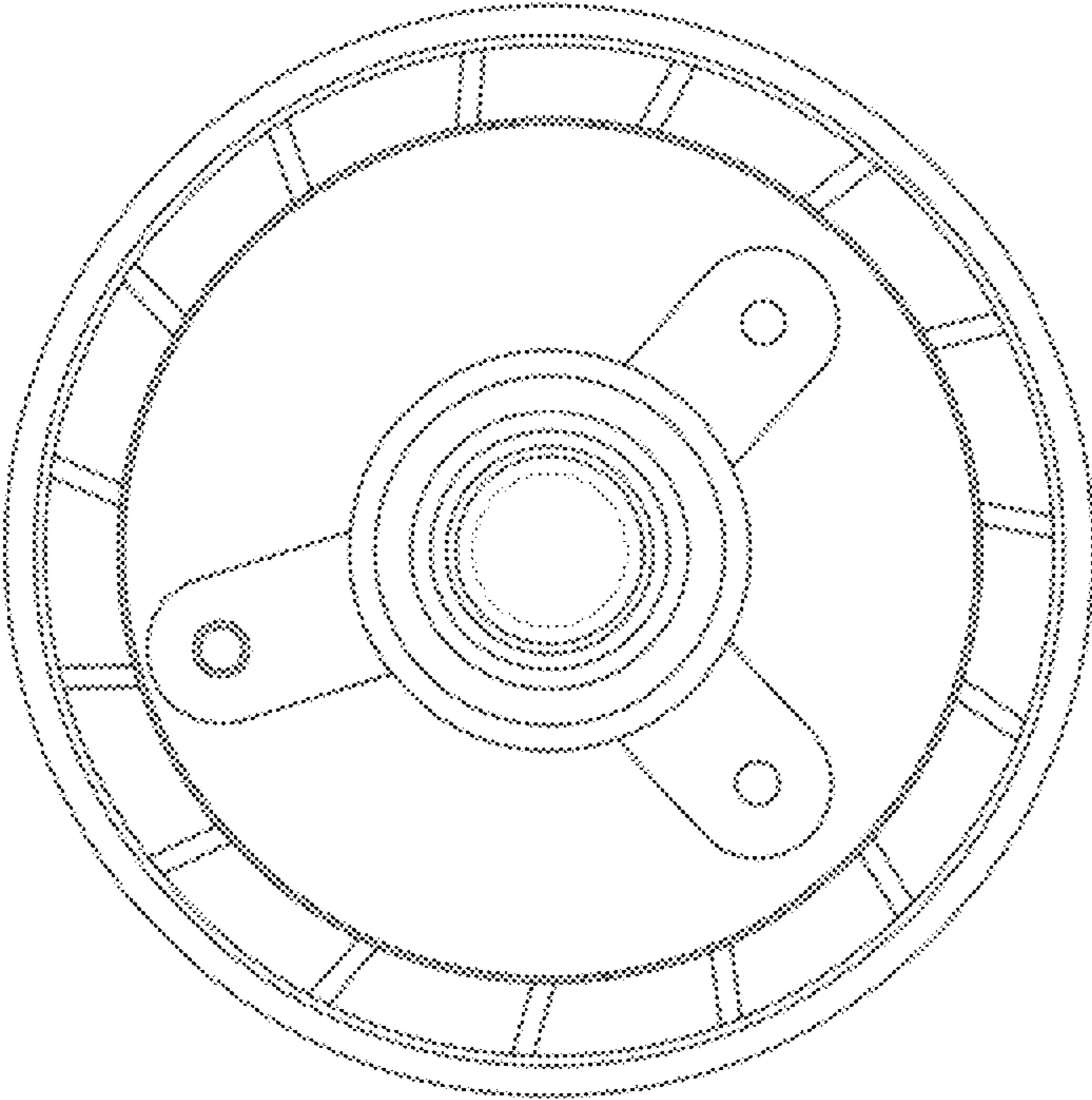


FIGURE 3

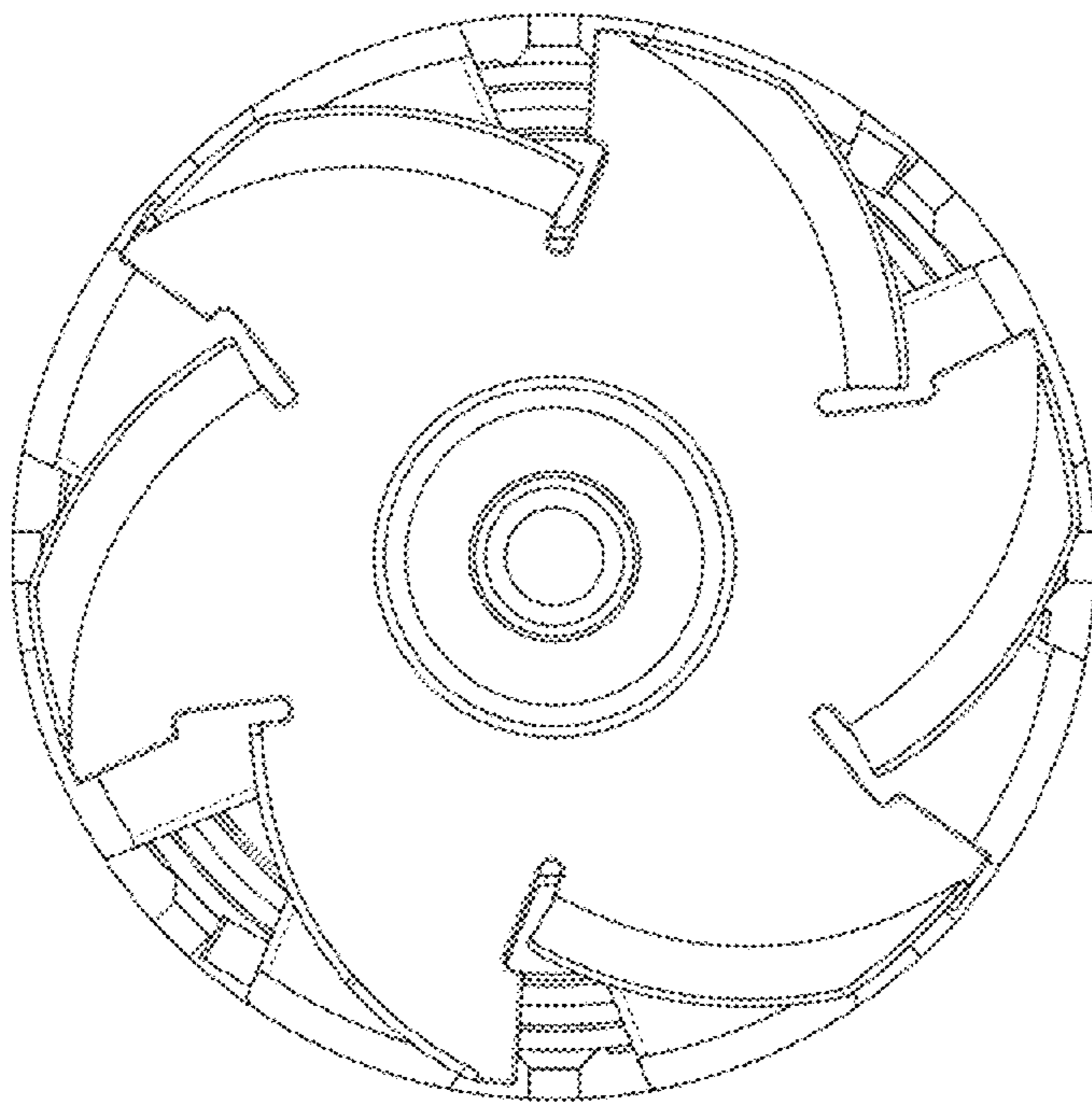


FIGURE 4

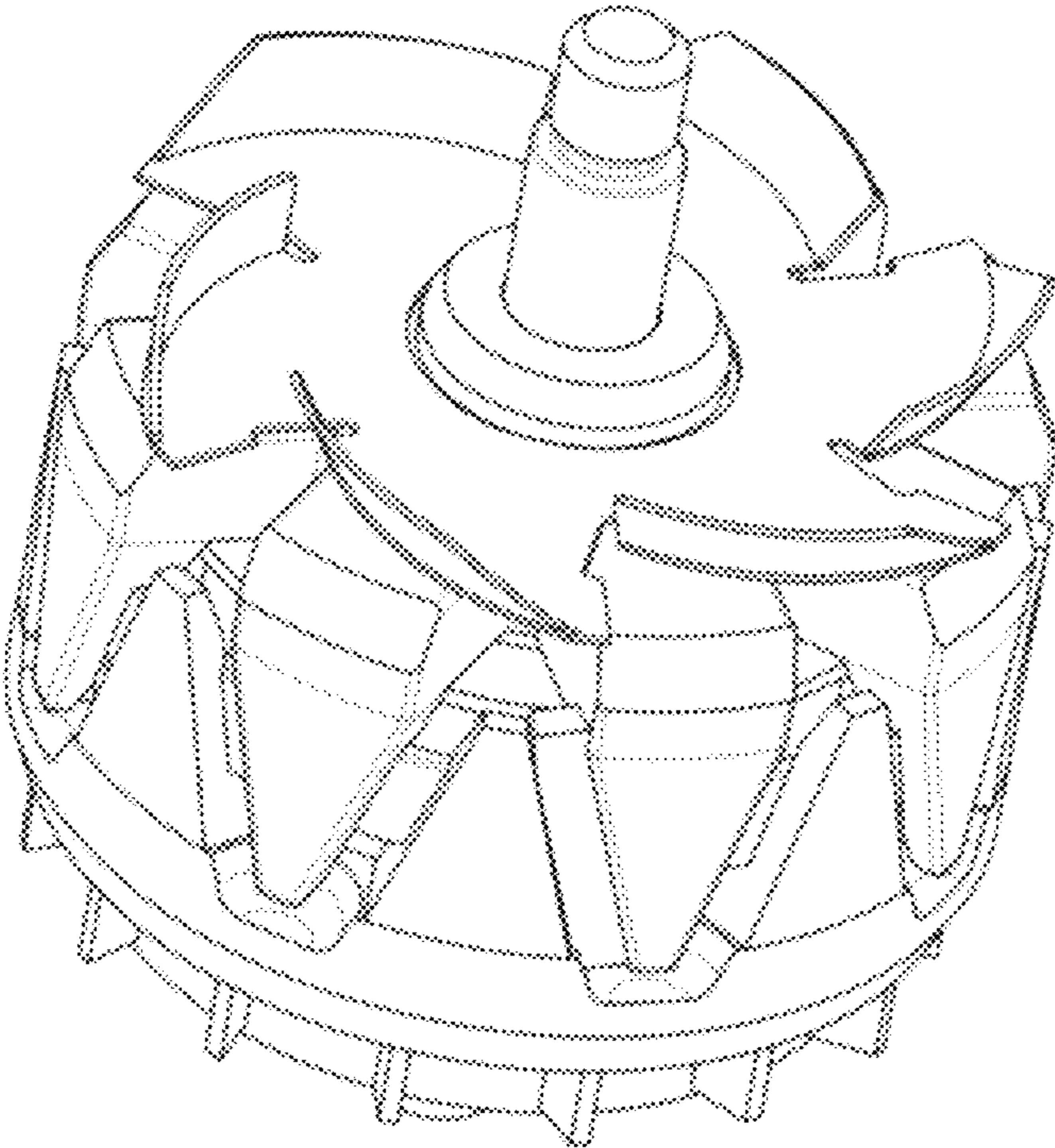


FIGURE 5

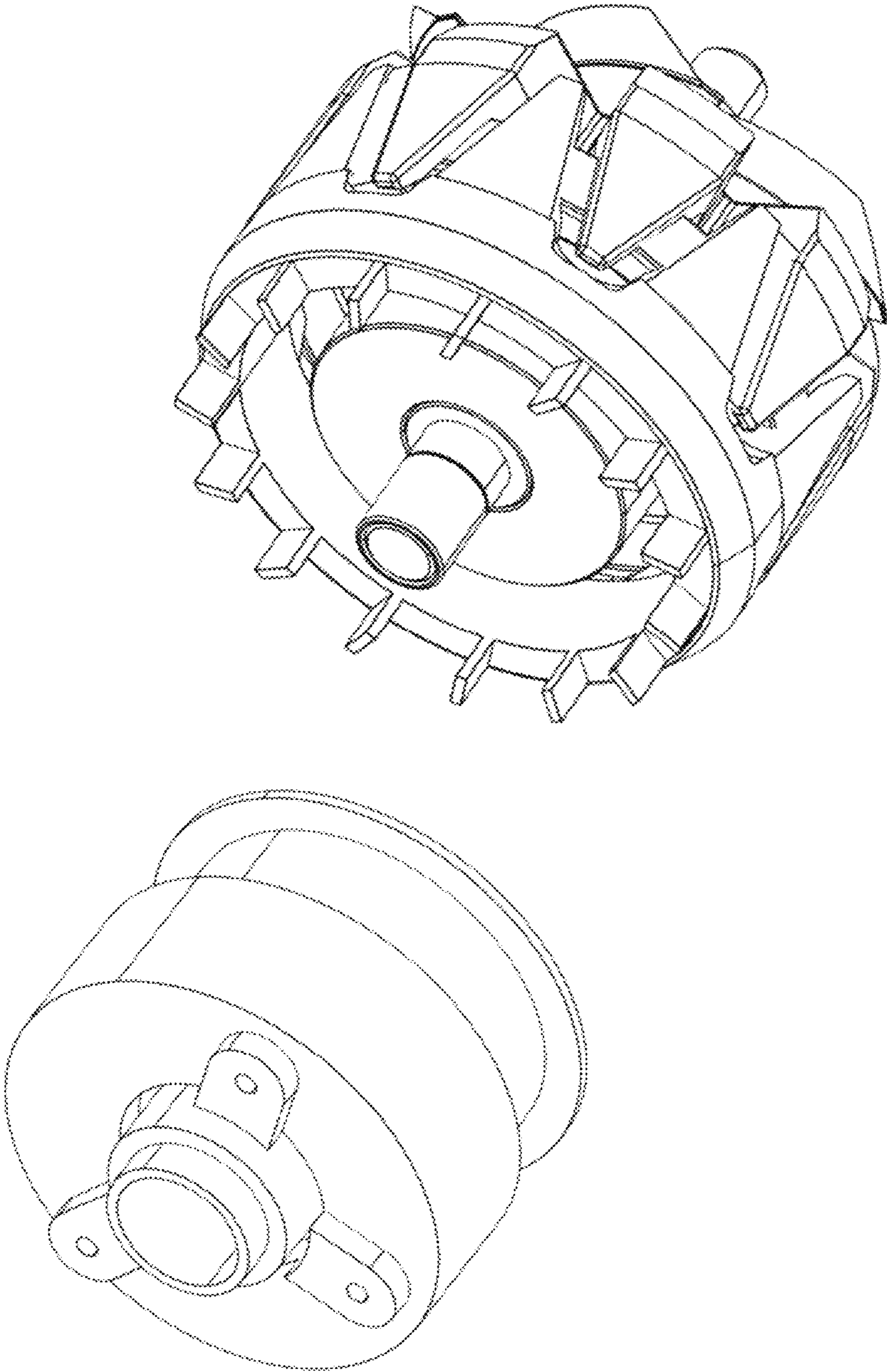


FIGURE 6

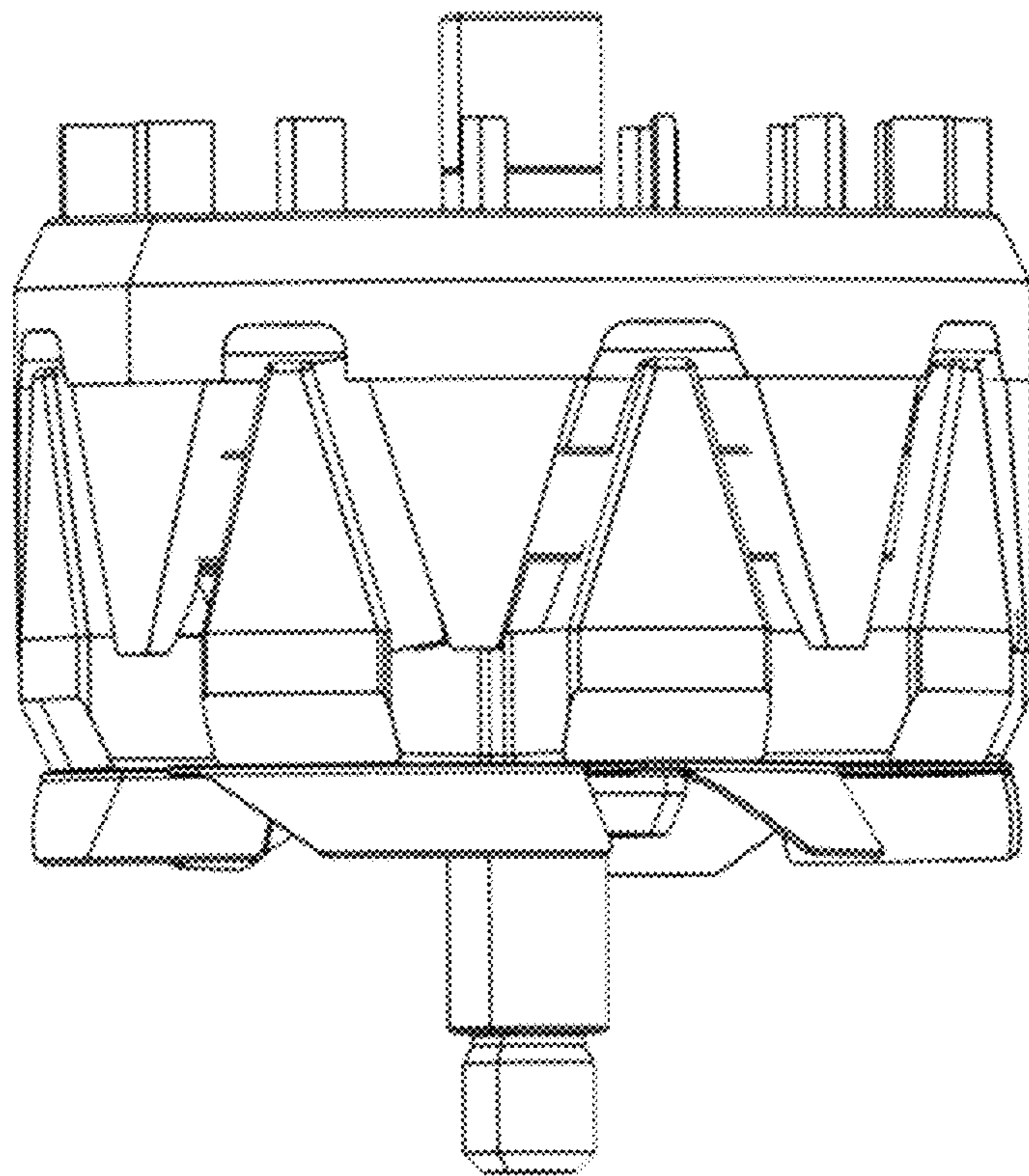
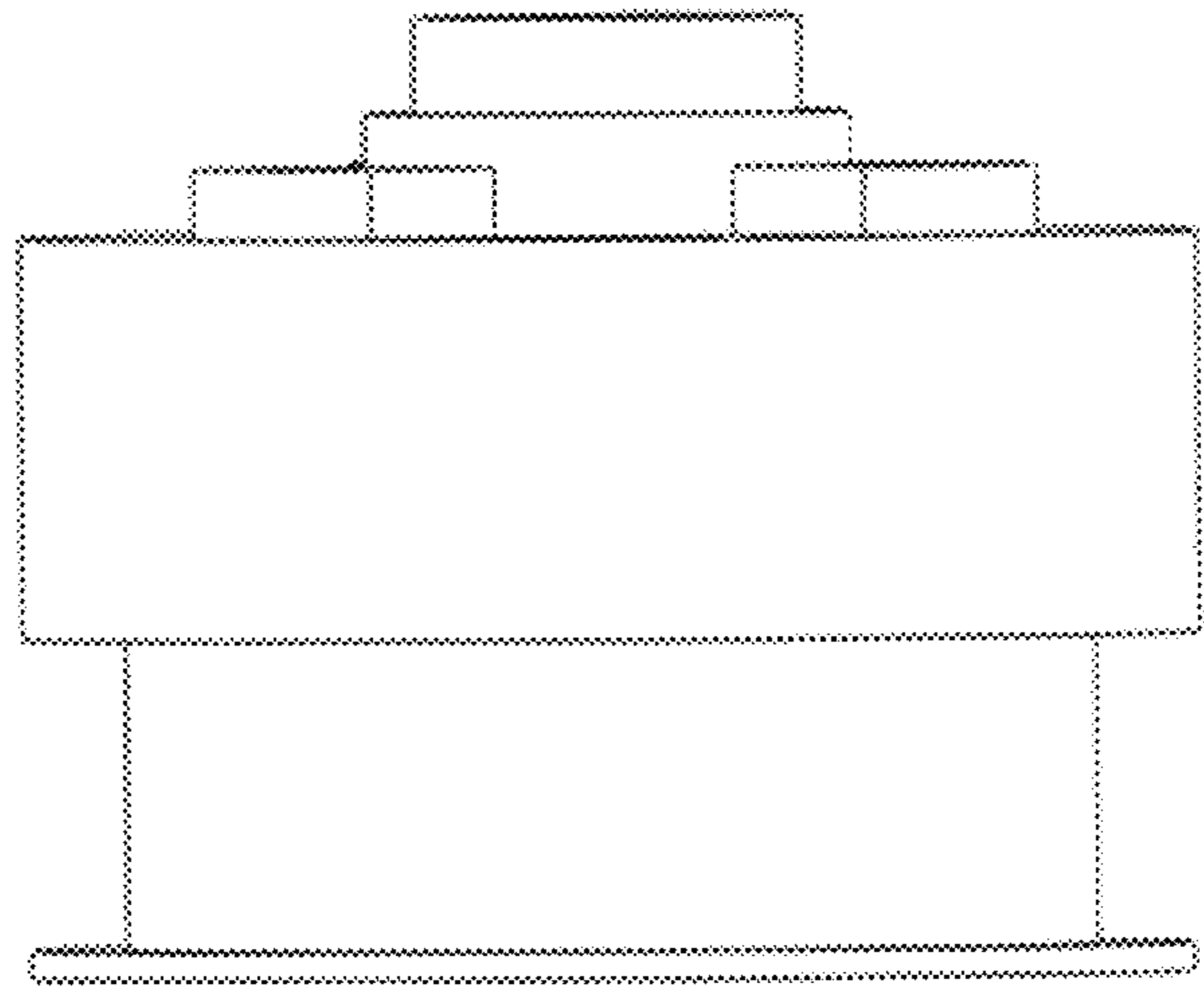


FIGURE 7

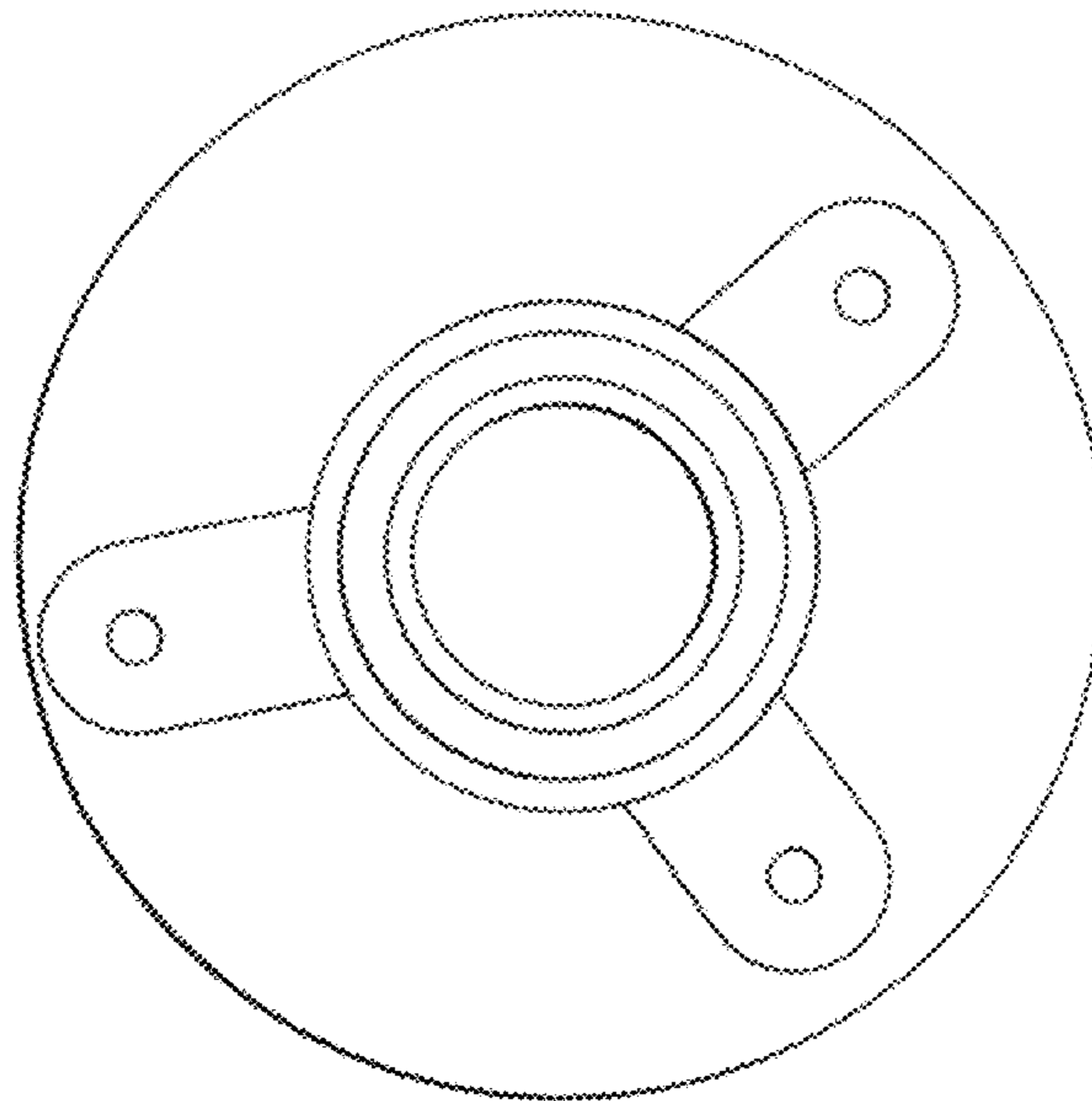
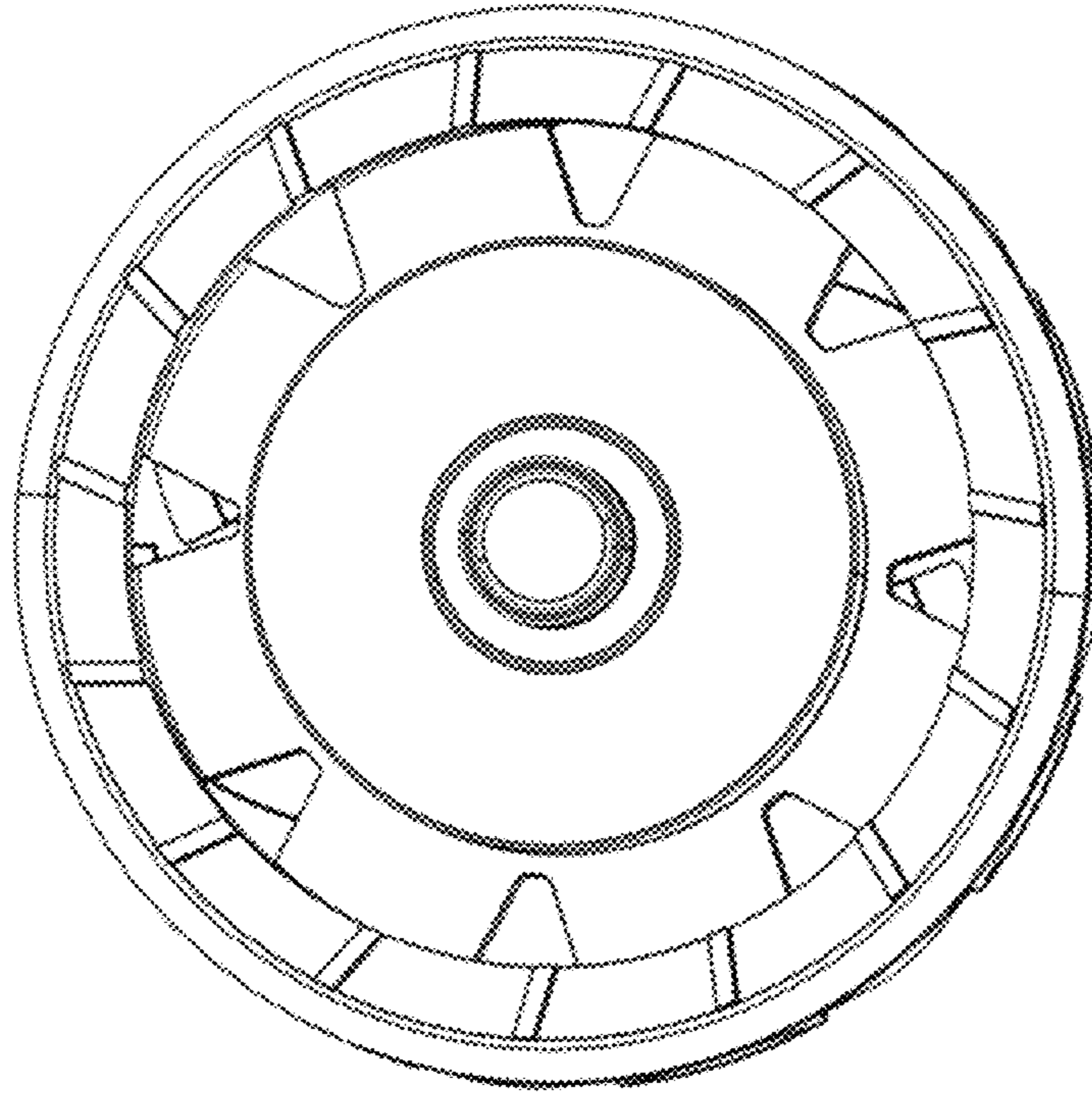


FIGURE 8

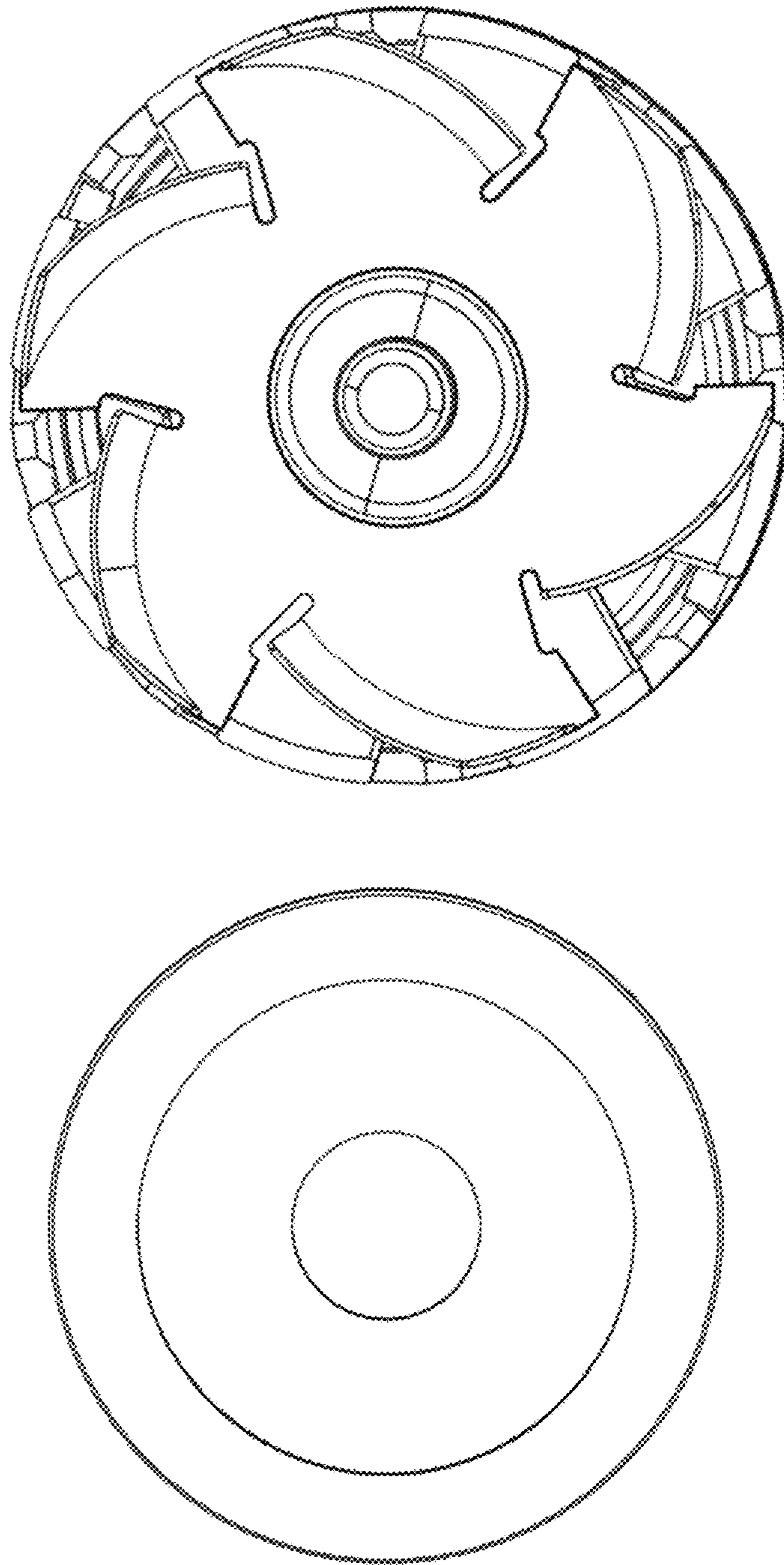


FIGURE 9

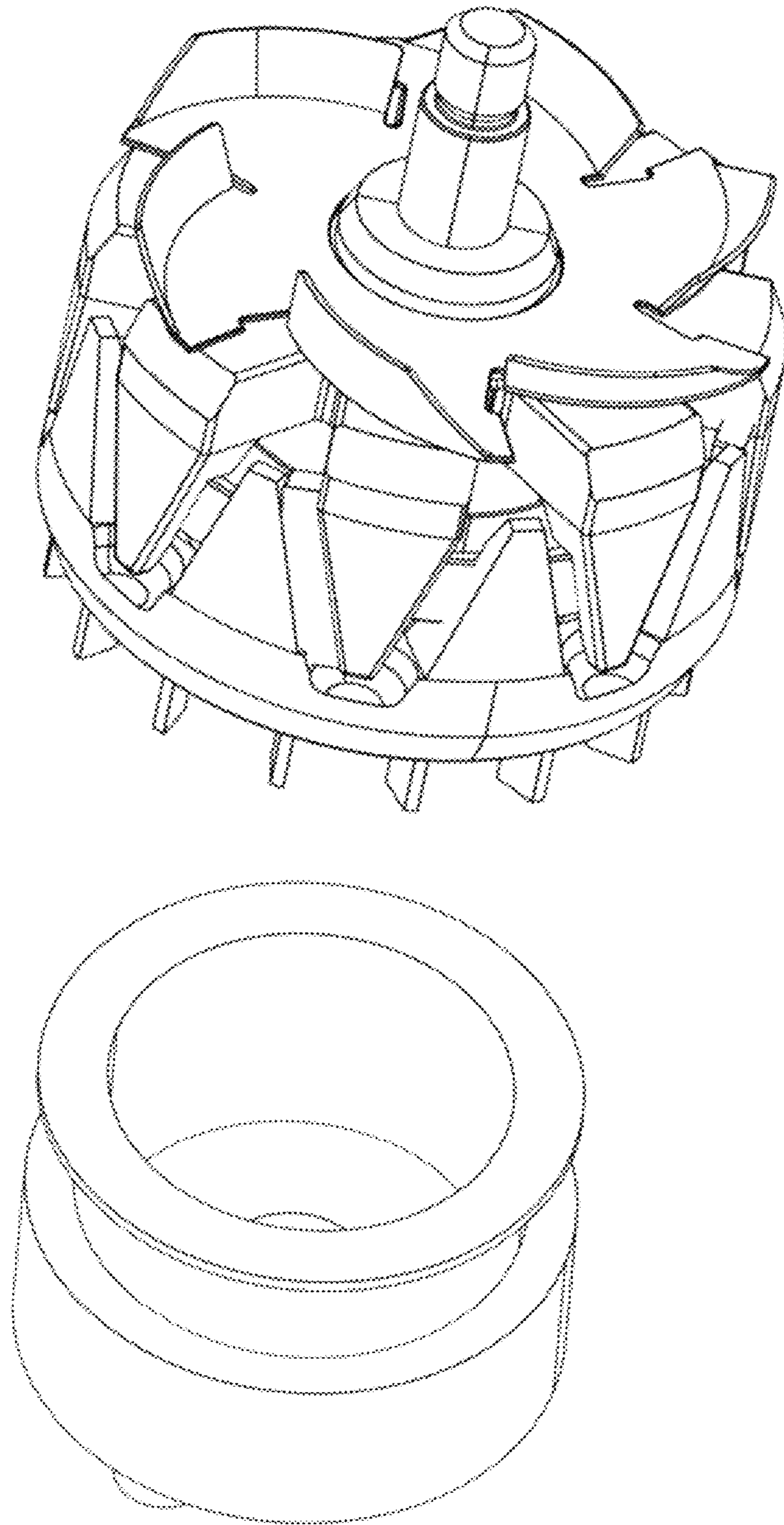


FIGURE 10