



US00D986169S

(12) **United States Design Patent** (10) **Patent No.:** **US D986,169 S**  
**Akana et al.** (45) **Date of Patent:** **\*\* May 16, 2023**

(54) **ADAPTER**

(71) Applicant: **Apple Inc.**, Cupertino, CA (US)

(72) Inventors: **Jody Akana**, Los Altos Hills, CA (US); **Molly Anderson**, San Francisco, CA (US); **Bartley K. Andre**, Palo Alto, CA (US); **Shota Aoyagi**, San Francisco, CA (US); **Anthony Michael Ashcroft**, San Francisco, CA (US); **Marine C. Bataille**, San Francisco, CA (US); **Jeremy Bataillou**, San Francisco, CA (US); **Markus Diebel**, San Francisco, CA (US); **M. Evans Hankey**, San Francisco, CA (US); **Julian Hoenig**, San Francisco, CA (US); **Richard P. Howarth**, San Francisco, CA (US); **Jonathan P. Ive**, San Francisco, CA (US); **Julian Jaede**, San Francisco, CA (US); **Duncan Robert Kerr**, San Francisco, CA (US); **Peter Russell-Clarke**, San Francisco, CA (US); **Benjamin Andrew Shaffer**, San Jose, CA (US); **Mikael Silvanto**, San Francisco, CA (US); **Sung-Ho Tan**, Vienna (AT); **Clement Tissandier**, San Francisco, CA (US); **Eugene Antony Whang**, San Francisco, CA (US); **Rico Zörkendörfer**, San Francisco, CA (US)

(73) Assignee: **Apple Inc.**, Cupertino, CA (US)

(\*\*) Term: **15 Years**

(21) Appl. No.: **29/847,441**

(22) Filed: **Jul. 25, 2022**

**Related U.S. Application Data**

(63) Continuation of application No. 29/813,826, filed on Nov. 1, 2021, now Pat. No. Des. 958,742, which is a  
(Continued)

(51) **LOC (14) Cl.** ..... **13-02**

(52) **U.S. Cl.**  
USPC ..... **D13/110**; D13/108

(58) **Field of Classification Search**  
USPC ..... D13/110, 107, 108, 123, 133, 137.1, D13/138.1, 199; D14/240, 251, 253, 432, D14/433, 434

(Continued)

(56) **References Cited**

**U.S. PATENT DOCUMENTS**

D374,657 S \* 10/1996 Beranek ..... D13/133  
D375,080 S 10/1996 Sandor et al.

(Continued)

**FOREIGN PATENT DOCUMENTS**

CN 303612010 S 3/2016  
CN 303978150 S 12/2016

(Continued)

*Primary Examiner* — Derrick E Holland

(74) *Attorney, Agent, or Firm* — Sterne, Kessler, Goldstein & Fox P.L.L.C.

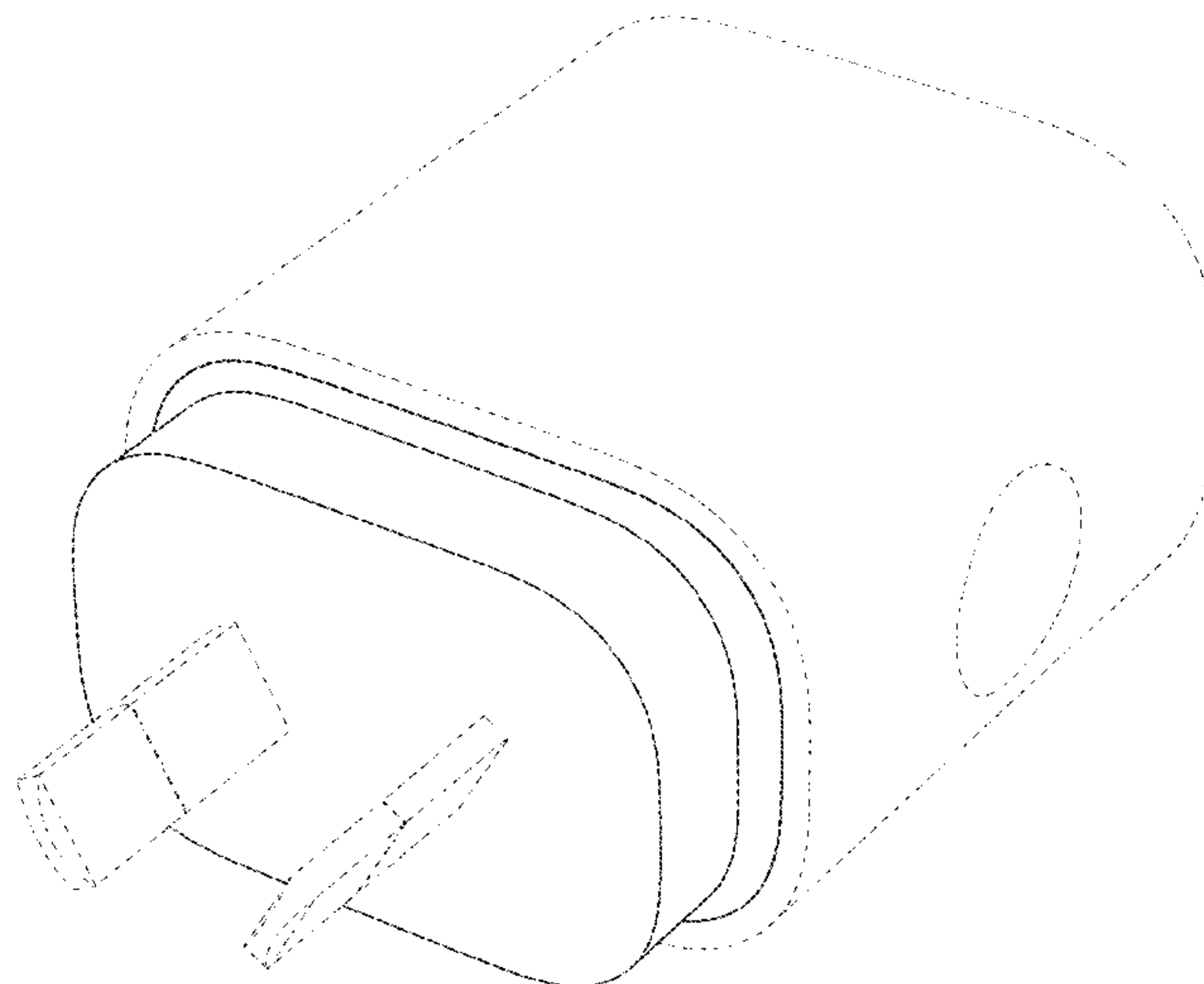
(57) **CLAIM**

The ornamental design for an adapter, as shown and described.

**DESCRIPTION**

FIG. 1 is a top front perspective view of an adapter showing the claimed design;  
FIG. 2 is a top rear perspective view thereof;  
FIG. 3 is a front view thereof;  
FIG. 4 is a rear view thereof;  
FIG. 5 is a left side view thereof;  
FIG. 6 is a right side view thereof;  
FIG. 7 is a top view thereof; and,  
FIG. 8 is a bottom view thereof.  
The broken lines in the figures show portions of the adapter that form no part of the claimed design.

**1 Claim, 6 Drawing Sheets**



**Related U.S. Application Data**

continuation of application No. 29/776,466, filed on Mar. 30, 2021, now Pat. No. Des. 934,801, which is a continuation of application No. 29/709,544, filed on Oct. 15, 2019, now Pat. No. Des. 914,596, which is a continuation of application No. 29/650,588, filed on Jun. 7, 2018, now Pat. No. Des. 867,286.

(58) **Field of Classification Search**

CPC . H02J 7/02; H02J 7/022; H02J 7/0042; H01R 25/00; H01R 25/003; H01R 13/44; H01R 27/00; H01R 31/065; Y02E 60/12

See application file for complete search history.

(56)

**References Cited**

U.S. PATENT DOCUMENTS

D398,581 S	9/1998	Chang	
D452,841 S *	1/2002	Tuhkanen .....	D13/108
D481,674 S	11/2003	Sade et al.	
D543,147 S *	5/2007	Ng .....	D13/138.1
D544,833 S	6/2007	Sade et al.	
D583,316 S	12/2008	Säde et al.	
D583,318 S	12/2008	Kagami et al.	
D587,192 S	2/2009	McGinley et al.	
D595,224 S	6/2009	Seil et al.	
D601,501 S	10/2009	Kaibara et al.	
D611,409 S	3/2010	Green et al.	
D611,415 S	3/2010	Andre et al.	
D614,129 S	4/2010	Nylen	
D614,130 S	4/2010	Nylen	
D617,275 S	6/2010	Fahrendorff et al.	
D621,348 S	8/2010	Nylen	
D621,349 S	8/2010	Nylen	
D623,136 S	9/2010	Andre et al.	
D627,728 S	11/2010	Smith et al.	
D627,729 S	11/2010	Smith et al.	
D634,058 S	3/2011	Peifer	
D638,357 S	5/2011	Sasada et al.	
D639,238 S	6/2011	Serrano	
D642,524 S	8/2011	Fitch et al.	
8,057,265 B2	11/2011	Youssefi-Shams et al.	
D653,208 S	1/2012	Au	
D653,614 S	2/2012	Au	
D653,615 S	2/2012	Au	
D654,020 S	2/2012	Au	
D655,243 S	3/2012	Au	
D663,267 S	7/2012	Kim et al.	
D663,687 S	7/2012	Liu	
D669,434 S *	10/2012	Kim .....	D13/110
D673,112 S	12/2012	Zhang	
D675,158 S	1/2013	Smith et al.	

D680,492 S	4/2013	Smith et al.	
8,410,752 B2	4/2013	Sulem et al.	
D683,314 S	5/2013	Andre et al.	
D693,764 S	11/2013	Hok Man	
D704,630 S	5/2014	Liu	
D705,725 S	5/2014	Ryu et al.	
D711,823 S	8/2014	Akana et al.	
D729,160 S *	5/2015	Levy .....	D13/110
D730,823 S	6/2015	Leung	
D731,970 S	6/2015	Math et al.	
D734,259 S	7/2015	Cepress et al.	
D734,260 S	7/2015	Cepress et al.	
D740,751 S	10/2015	Akana et al.	
D742,309 S	11/2015	Sumida	
9,236,699 B2	1/2016	Lai	
D751,039 S *	3/2016	Ptok .....	D13/146
9,343,850 B2	5/2016	Colahan et al.	
D763,190 S	8/2016	Akana et al.	
D778,835 S	2/2017	Akana et al.	
D790,463 S	6/2017	Lai	
D790,465 S	6/2017	Zhao	
D791,076 S	7/2017	Kim et al.	
D798,233 S	9/2017	Huang et al.	
D798,806 S	10/2017	Soriano	
D799,422 S	10/2017	Chen	
D804,412 S	12/2017	Huang et al.	
D808,903 S	1/2018	Koenig	
D808,904 S	1/2018	Koenig	
D820,206 S	6/2018	Cai	
D821,972 S	7/2018	Wei	
D826,853 S	8/2018	Nauroy	
D834,516 S	11/2018	Jin	
D839,823 S	2/2019	Lemelson et al.	
D841,582 S	2/2019	Tian	
D842,803 S	3/2019	Nishizawa	
D845,898 S	4/2019	Laffon de Mazieres et al.	
D867,285 S	11/2019	Akana et al.	
D867,286 S	11/2019	Akana et al.	
D867,287 S	11/2019	Akana et al.	
D867,989 S	11/2019	Akana et al.	
D874,400 S	2/2020	Akana et al.	
D914,596 S	3/2021	Akana et al.	
D958,742 S	7/2022	Akana et al.	
2002/0090848 A1	7/2002	Yu	
2007/0293079 A1	12/2007	Chao et al.	
2009/0289596 A1	11/2009	McGinley et al.	
2010/0117597 A1	5/2010	Wang	

FOREIGN PATENT DOCUMENTS

CN	304088328	3/2017
CN	304257288	8/2017
CN	304443826 S	1/2018

\* cited by examiner

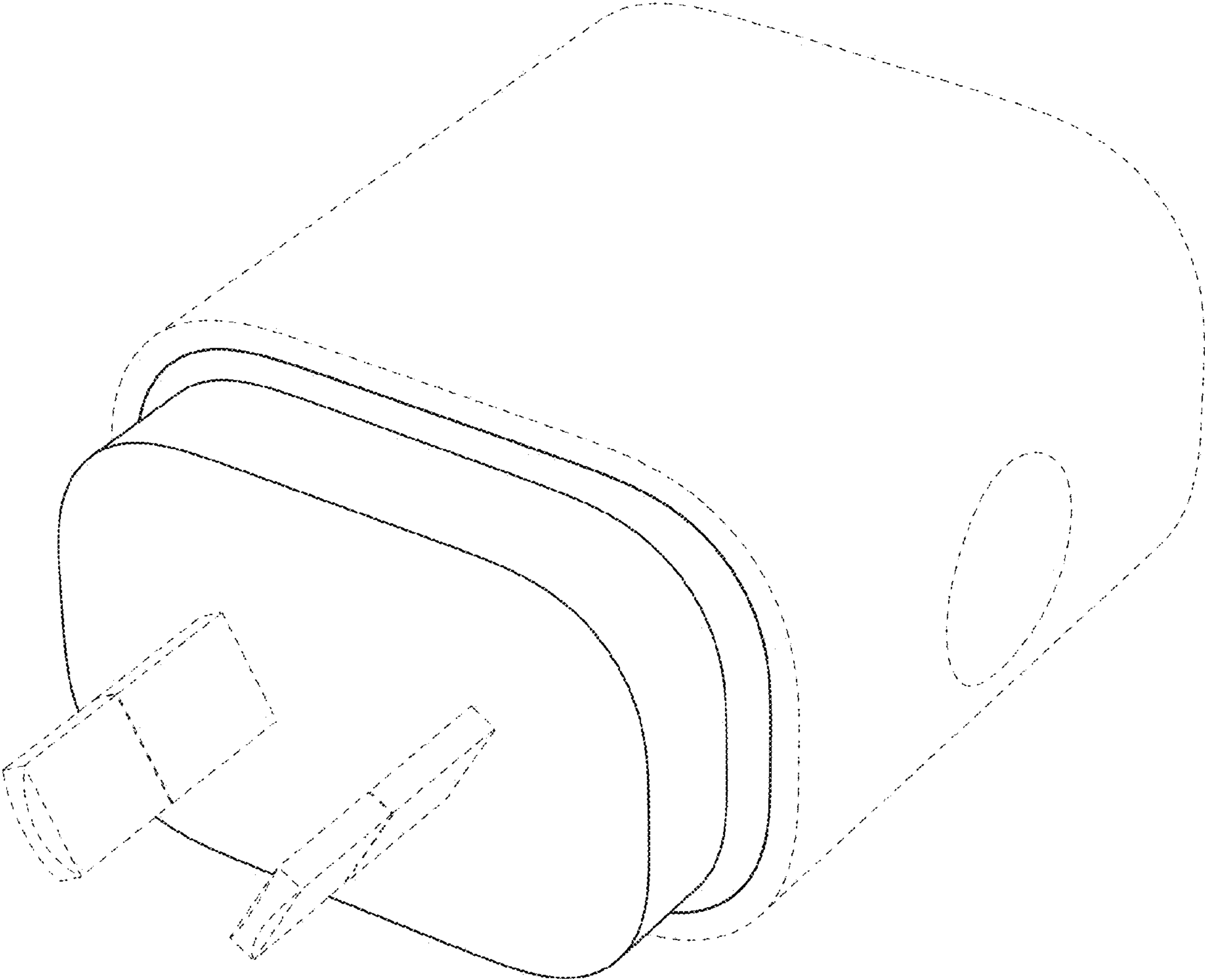


FIG. 1

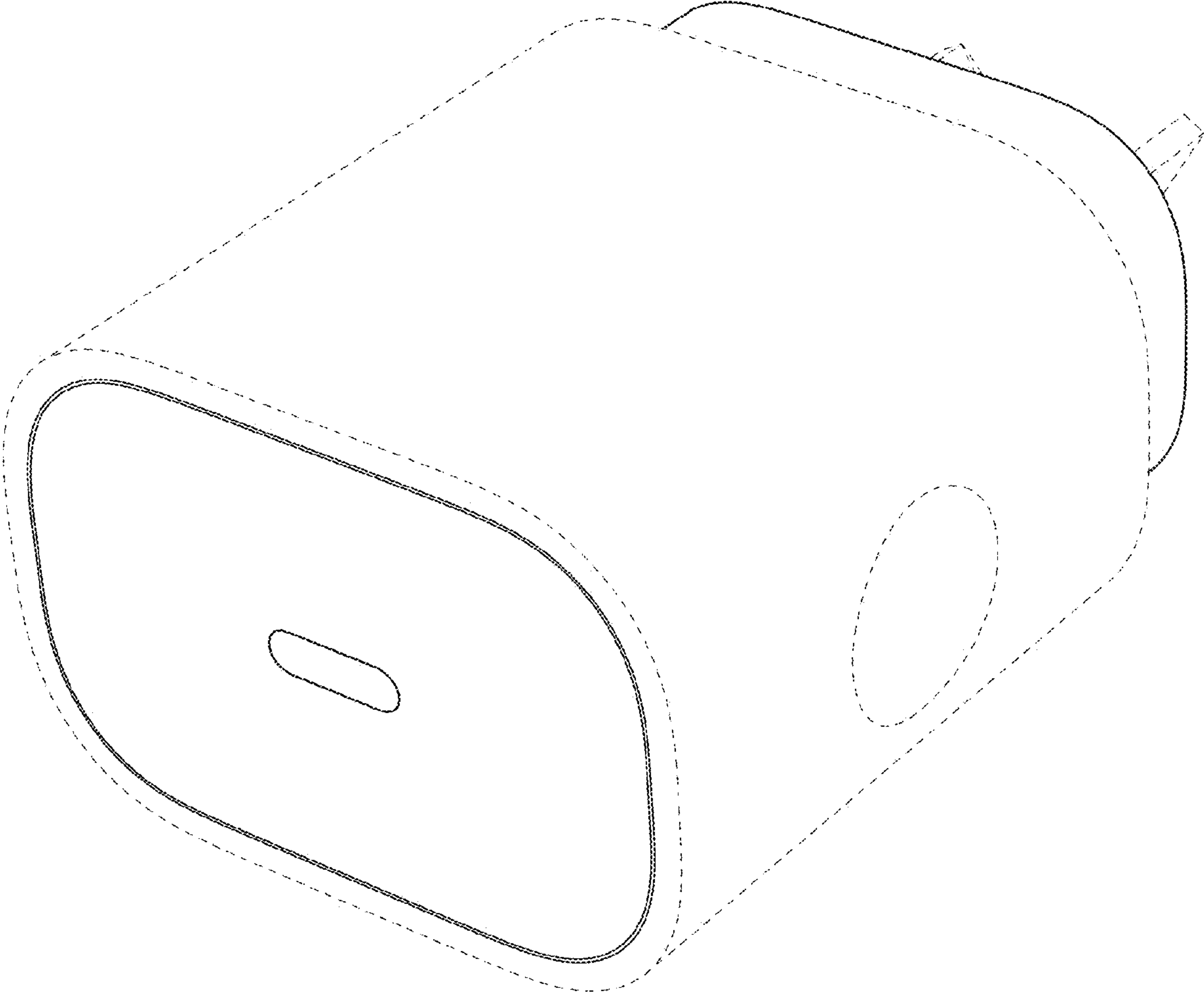


FIG. 2



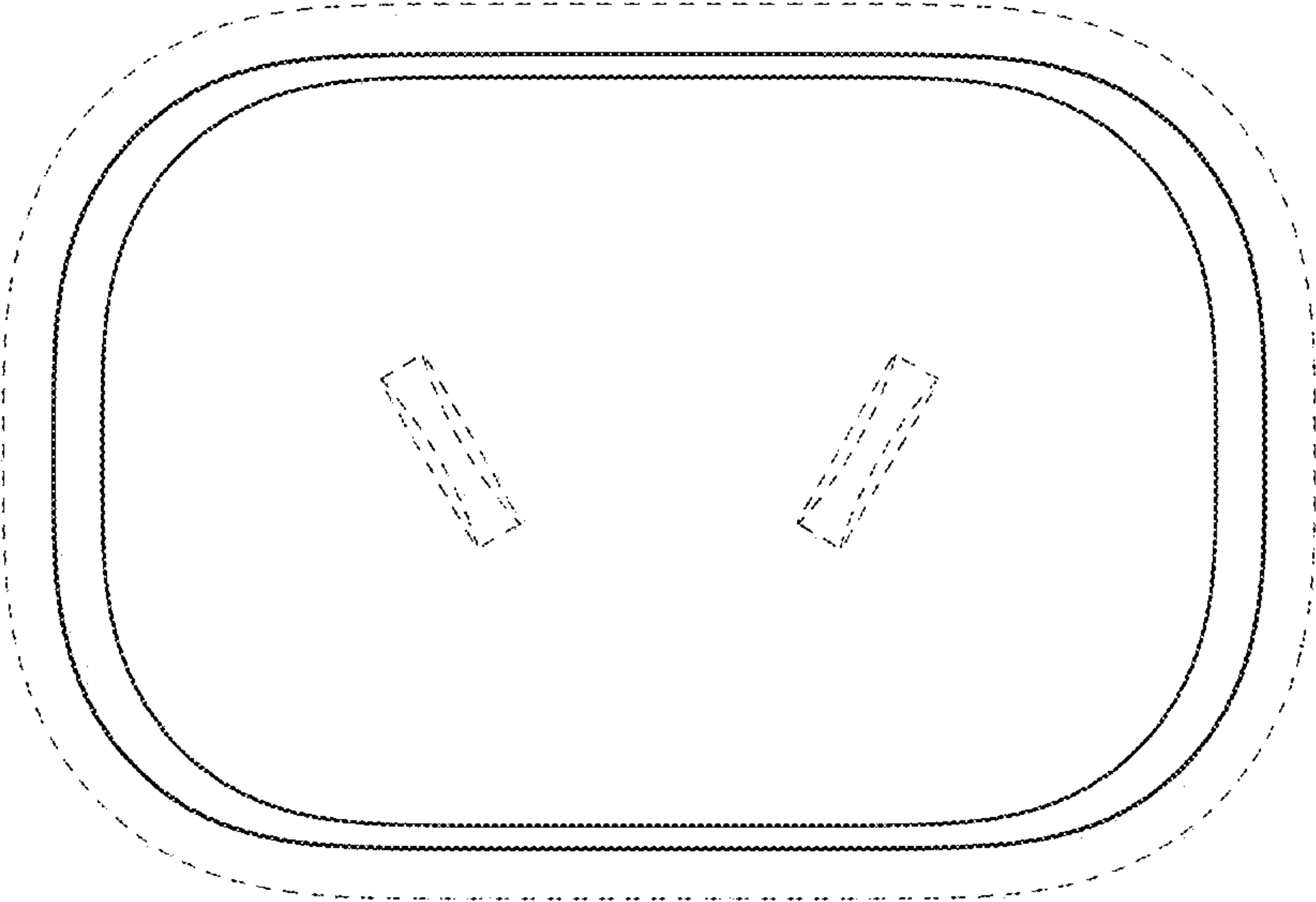


FIG. 3

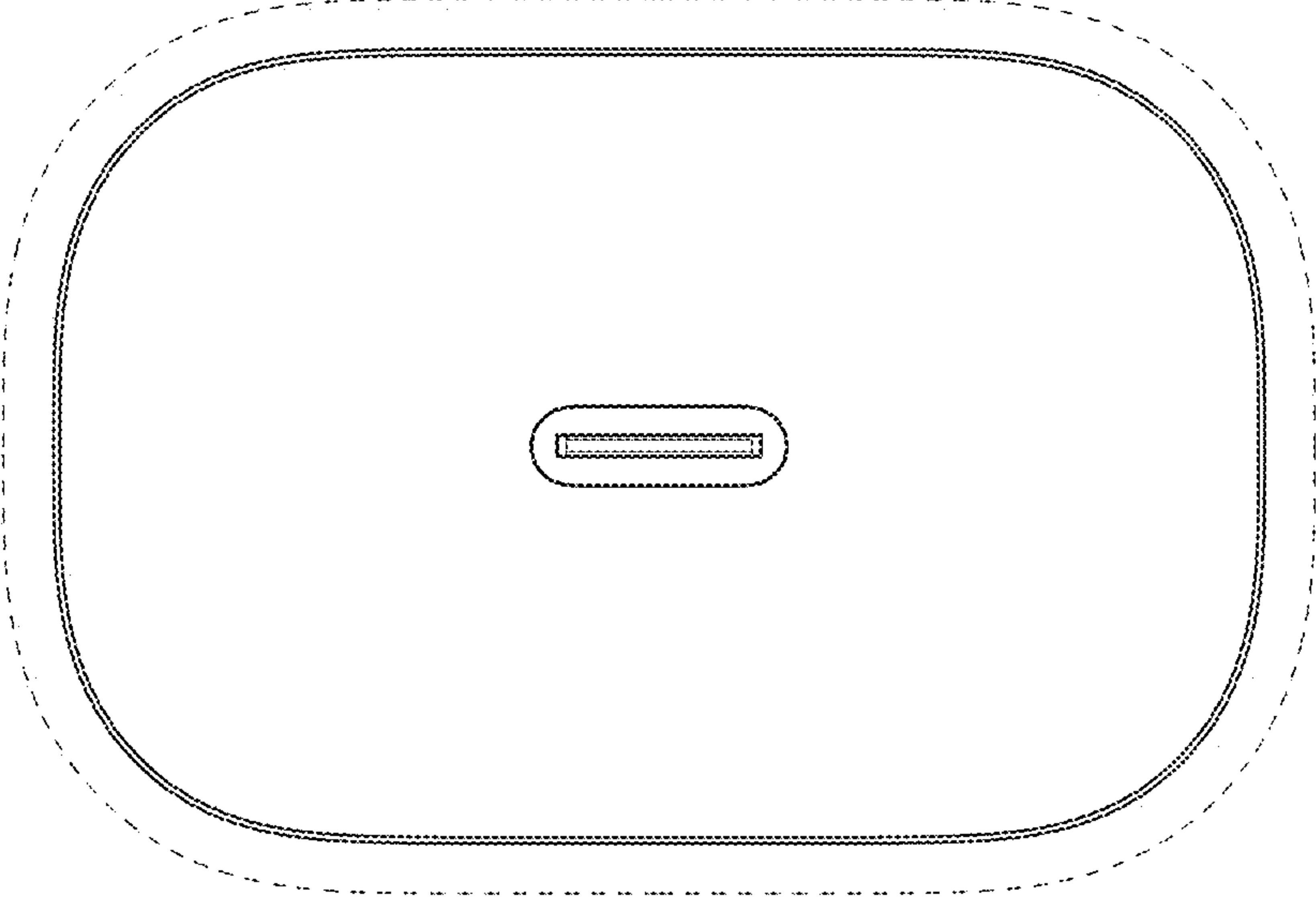
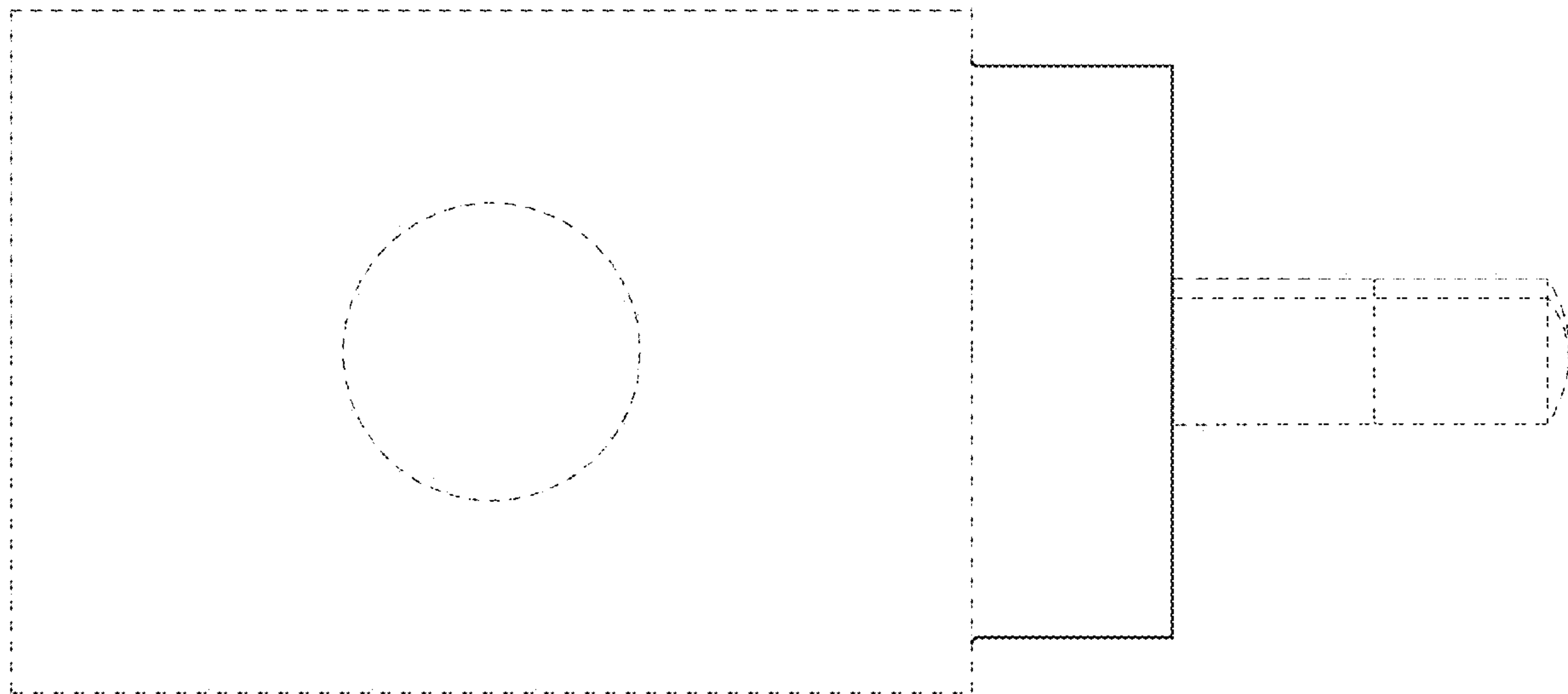
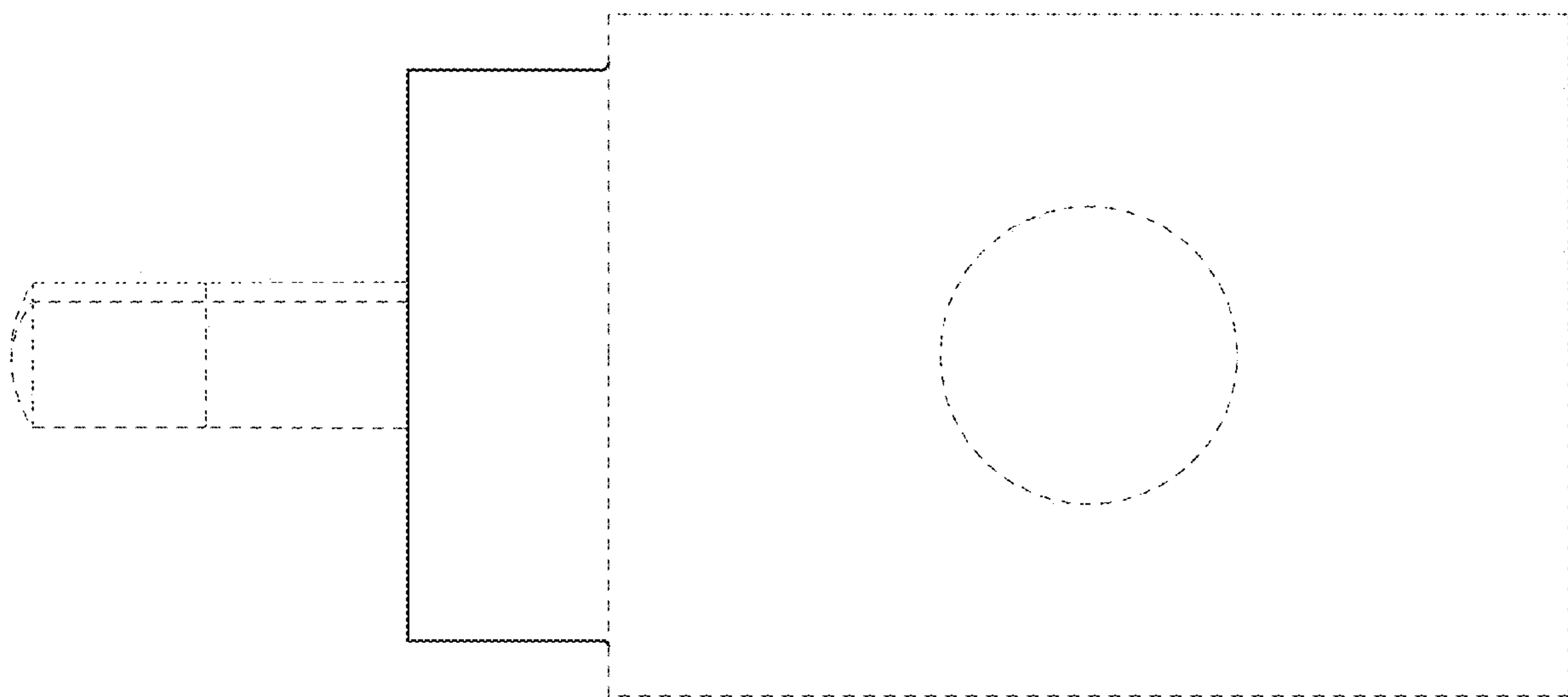


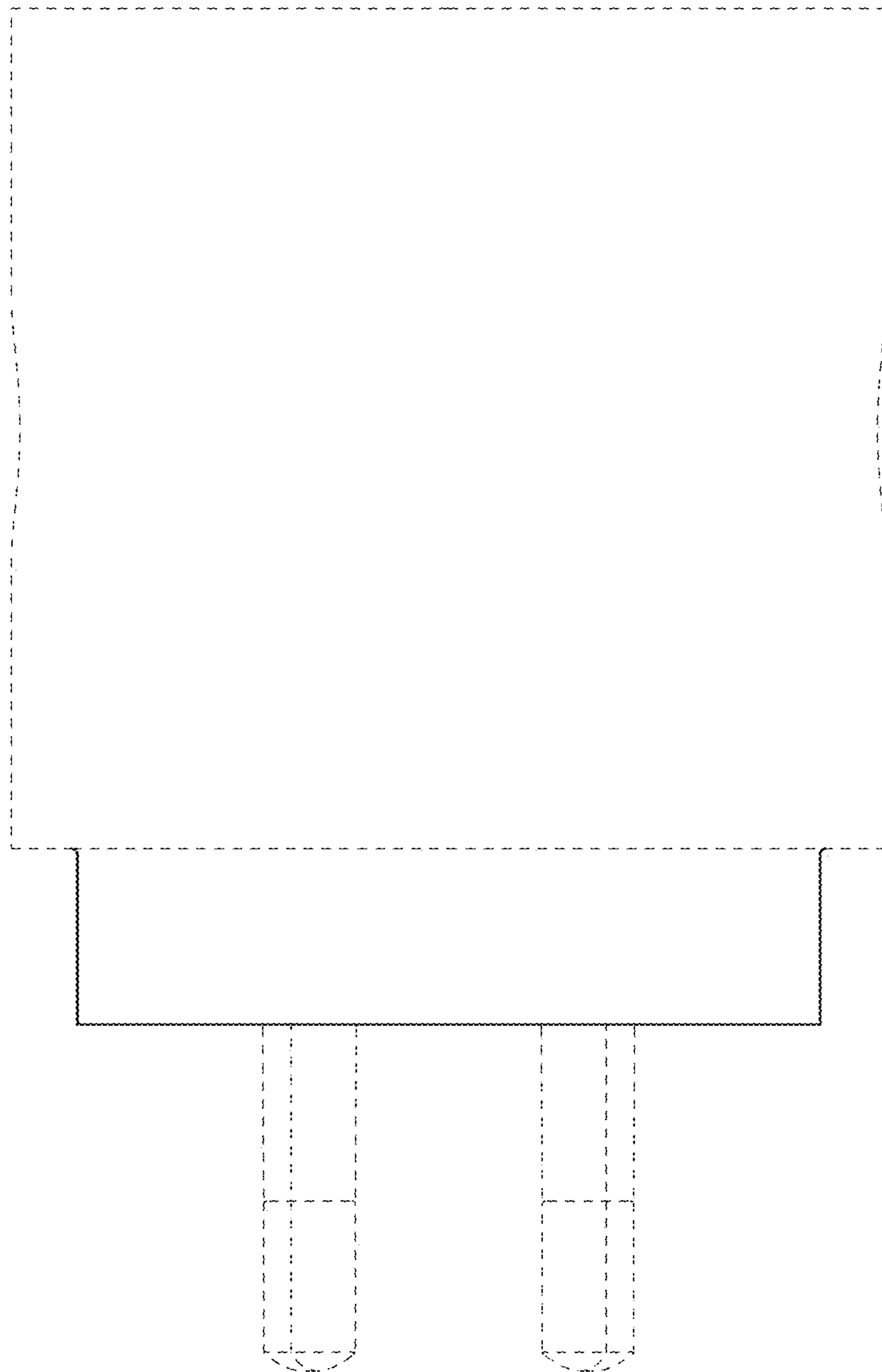
FIG. 4



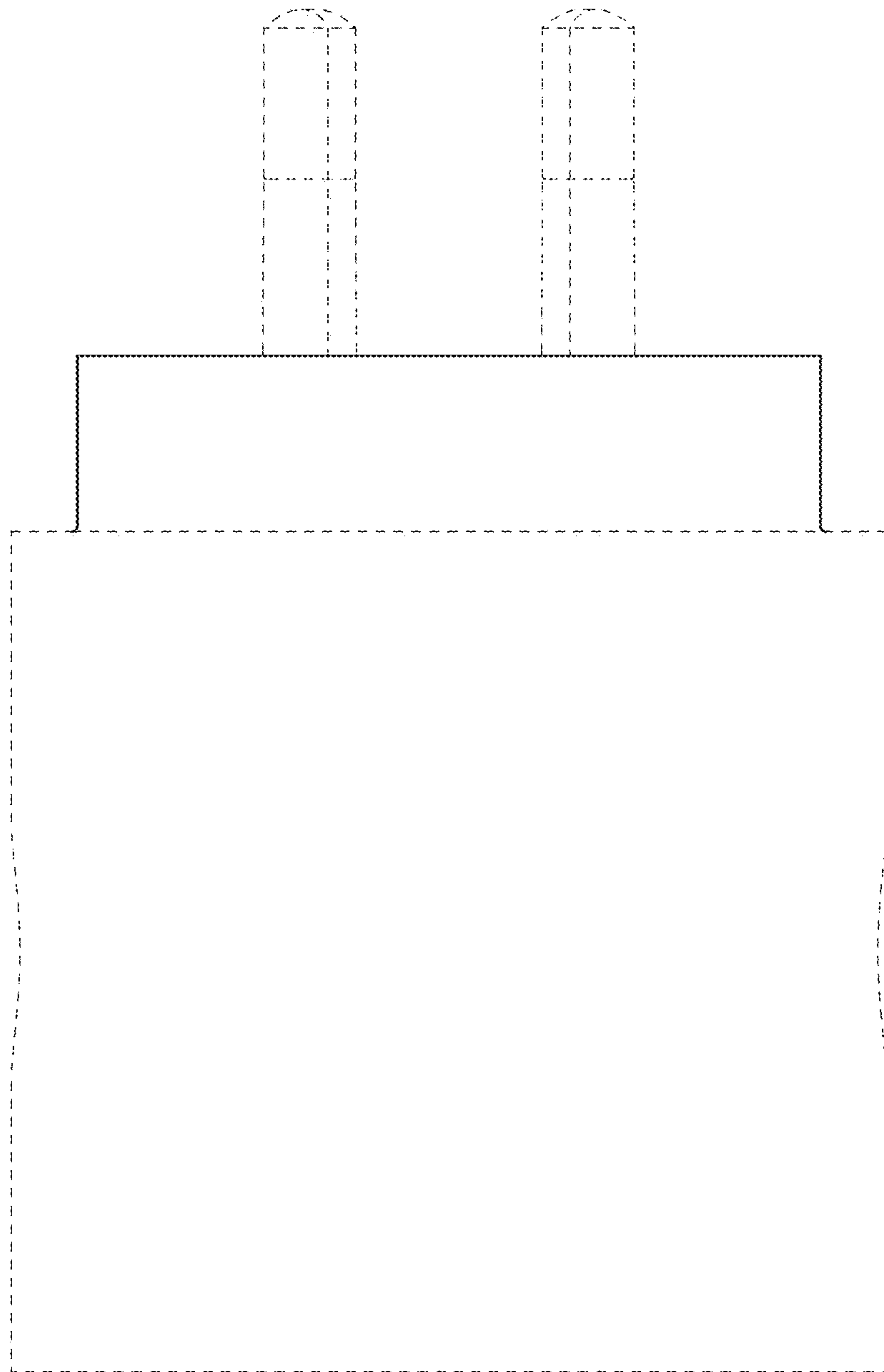
**FIG. 5**



**FIG. 6**



**FIG. 7**



**FIG. 8**