



US00D986166S

(12) **United States Design Patent** (10) **Patent No.:** **US D986,166 S**  
**Sasaki et al.** (45) **Date of Patent:** **\*\* May 16, 2023**

(54) **BATTERY CHARGER FOR EARPHONE**  
(71) Applicant: **JVCKENWOOD Corporation**,  
Yokohama (JP)  
(72) Inventors: **Yuzuko Sasaki**, Yokohama (JP); **Deng  
xu Cao**, Dongguan (CN)  
(73) Assignee: **JVCKENWOOD Corporation**,  
Yokohama (JP)  
(\*\*) Term: **15 Years**  
(21) Appl. No.: **29/806,926**  
(22) Filed: **Sep. 8, 2021**  
(30) **Foreign Application Priority Data**

Apr. 6, 2021 (JP) ..... 2021-007219 D  
(51) **LOC (14) Cl.** ..... **13-02**  
(52) **U.S. Cl.**  
USPC ..... **D13/108**  
(58) **Field of Classification Search**  
USPC ..... D13/107–108, 110, 118–119, 184, 199;  
D14/251, 253, 432, 434, 447; D3/201,  
D3/205, 208, 218, 273, 294  
(Continued)

(56) **References Cited**  
U.S. PATENT DOCUMENTS  
D851,035 S \* 6/2019 Hong ..... D13/108  
D881,810 S \* 4/2020 Zhang ..... D13/108  
(Continued)

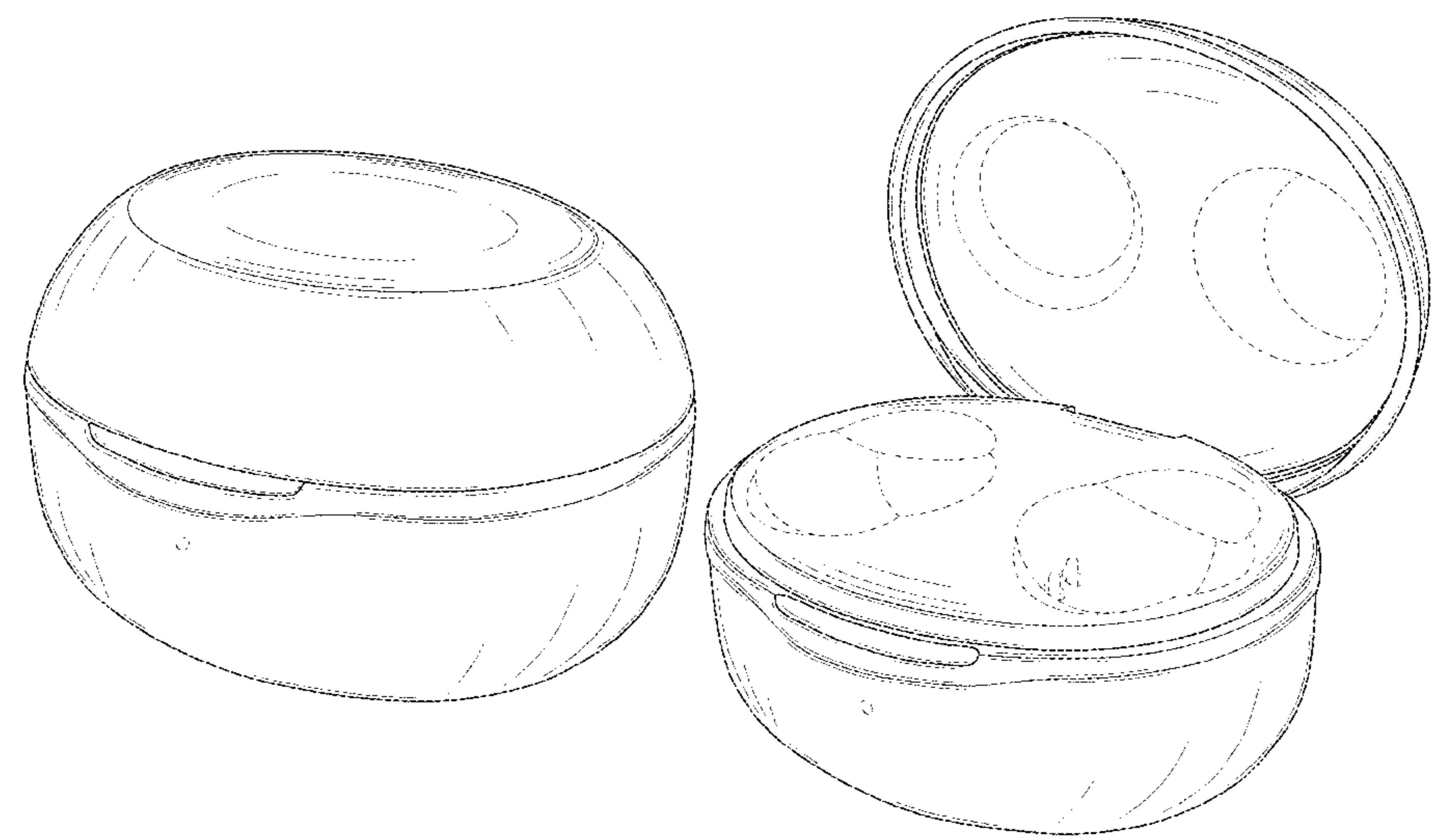
**OTHER PUBLICATIONS**  
“LG Tone Free True Wireless Bluetooth Earbuds FP9E—Active  
Noise Cancelling Earbuds with UVnano Charging Case, Haze  
Gold”, Amazon.com, first available on Mar. 27, 2022. <[https://www.  
amazon.com/LG-TONE-Free-FP9E-Cancelling/dp/B09W7RKD3Z?  
th=1](https://www.amazon.com/LG-TONE-Free-FP9E-Cancelling/dp/B09W7RKD3Z?th=1)>. (Year: 2022).\*

*Primary Examiner* — Rosemary K Tarcza  
(74) *Attorney, Agent, or Firm* — Amin, Turocy & Watson,  
LLP

(57) **CLAIM**  
The ornamental design for a battery charger for earphone, as  
shown and described.

**DESCRIPTION**  
FIG. 1 is a perspective view of a battery charger for  
earphone.  
FIG. 2 is a front elevation view thereof.  
FIG. 3 is a rear elevation view thereof.  
FIG. 4 is a top plan view thereof.  
FIG. 5 is a bottom plan view thereof.  
FIG. 6 is a right side elevation view thereof.  
FIG. 7 is a left side elevation view thereof.  
FIG. 8 is a front right perspective view showing the battery  
charger for earphone of FIG. 1 with a lid open.  
FIG. 9 is a rear right perspective view showing the battery  
charger for earphone of FIG. 1 with a lid open.  
FIG. 10 is a front elevation view showing the battery charger  
for earphone of FIG. 1 with a lid open.  
FIG. 11 is a rear elevation view showing the battery charger  
for earphone of FIG. 1 with a lid open.  
FIG. 12 is a top plan view showing the battery charger for  
earphone of FIG. 1 with a lid open.  
FIG. 13 is a bottom plan view showing the battery charger  
for earphone of FIG. 1 with a lid open.  
FIG. 14 is a right side elevation view showing the battery  
charger for earphone of FIG. 1 with a lid open.  
FIG. 15 is a left side elevation view showing the battery  
charger for earphone of FIG. 1 with a lid open; and,  
FIG. 16 is another front left perspective view showing the  
battery charger for earphone of FIG. 1 with a lid open.  
The broken lines shown in the drawings illustrate portions of  
the battery charger for earphone that form no part of the  
claimed design.

**1 Claim, 16 Drawing Sheets**



(58) **Field of Classification Search**

CPC .. H02J 7/025; H02J 7/005; H02J 50/00; H02J 50/10; H02J 50/12; H02J 50/80; H02J 7/02; H02J 7/0026; H02J 7/0042; H02J 7/0044; H02J 7/0045; H02J 7/0013; H02J 7/0003; A45C 2011/001; A45C 2011/002; A45C 2011/003

See application file for complete search history.

(56) **References Cited**

U.S. PATENT DOCUMENTS

D887,351 S \* 6/2020 Bonahoom ..... D13/108  
D888,664 S \* 6/2020 Ma ..... D13/108  
D890,696 S \* 7/2020 Sweet ..... D13/108  
D890,725 S \* 7/2020 Liu ..... D14/223  
D899,089 S \* 10/2020 Yu ..... D3/297  
D904,024 S \* 12/2020 Koneru ..... D3/294  
D904,761 S \* 12/2020 Koneru ..... D3/274  
D904,762 S \* 12/2020 Koneru ..... D3/274  
D904,763 S \* 12/2020 Koneru ..... D3/274

D904,901 S \* 12/2020 Koneru ..... D9/721  
D908,084 S \* 1/2021 He ..... D3/294  
D913,224 S \* 3/2021 Kim ..... D13/108  
D921,582 S \* 6/2021 Liu ..... D3/294  
D928,123 S \* 8/2021 Gao ..... D14/223  
D931,207 S \* 9/2021 Briggs ..... D3/294  
D932,472 S \* 10/2021 Wang ..... D14/223  
D933,004 S \* 10/2021 Li ..... D3/294  
D933,601 S \* 10/2021 Yoneyama ..... D13/108  
D933,602 S \* 10/2021 Zhang ..... D3/294  
D936,040 S \* 11/2021 Zhao ..... D14/223  
D942,390 S \* 2/2022 Zhang ..... D3/294  
D953,982 S \* 6/2022 Yi ..... D13/108  
D955,983 S \* 6/2022 Ma ..... D3/298  
D959,830 S \* 8/2022 Sun ..... D3/274  
D962,644 S \* 9/2022 Ren ..... D3/273  
D962,900 S \* 9/2022 Fernando ..... D14/223  
D967,762 S \* 10/2022 Briggs ..... D3/294  
2020/0321792 A1 \* 10/2020 Rhee ..... H02J 7/0049  
2022/0183434 A1 \* 6/2022 Tsai ..... H04R 1/1025  
2022/0192335 A1 \* 6/2022 Maguire ..... A45C 13/1069

\* cited by examiner

FIG. 1

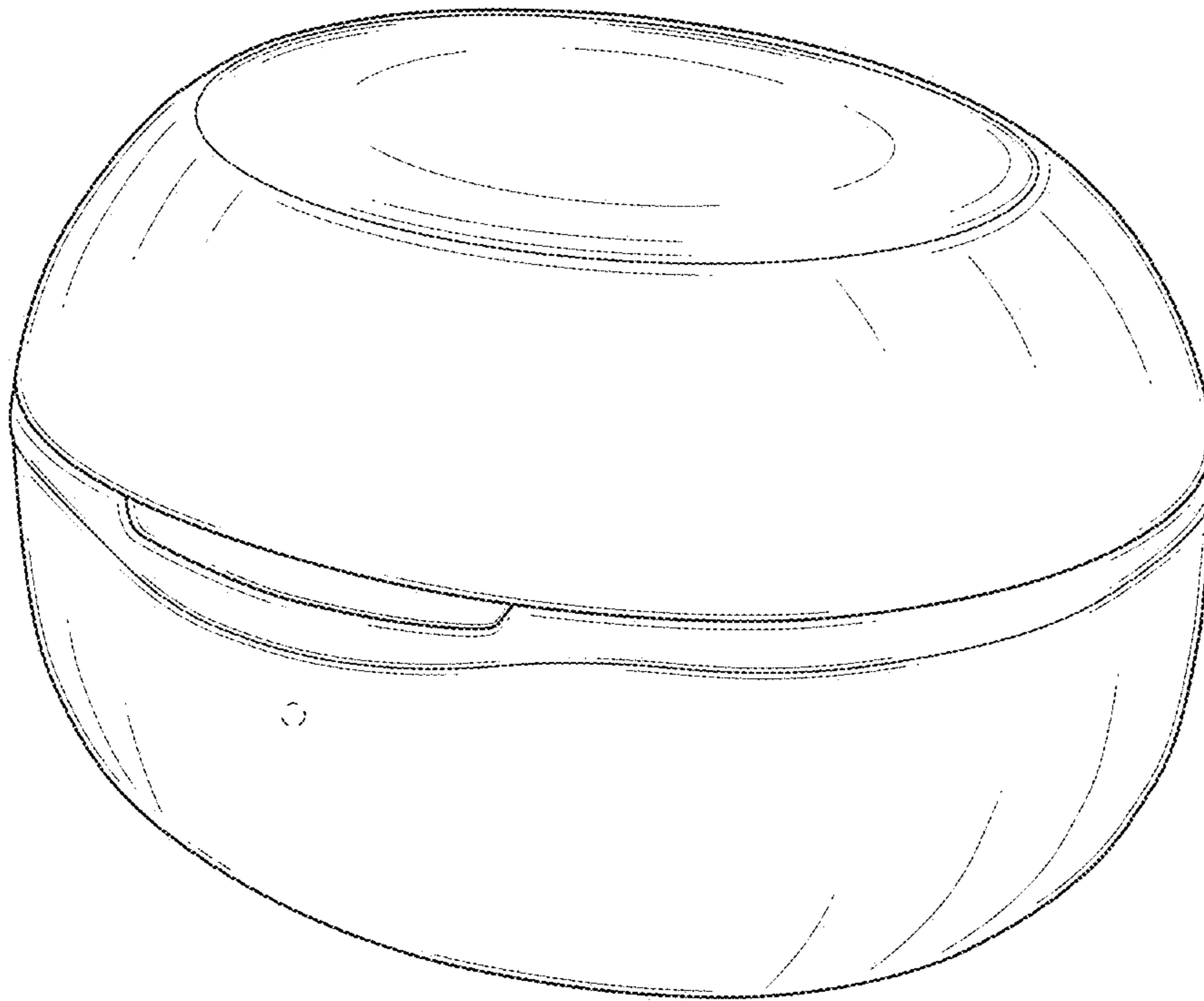


FIG. 2

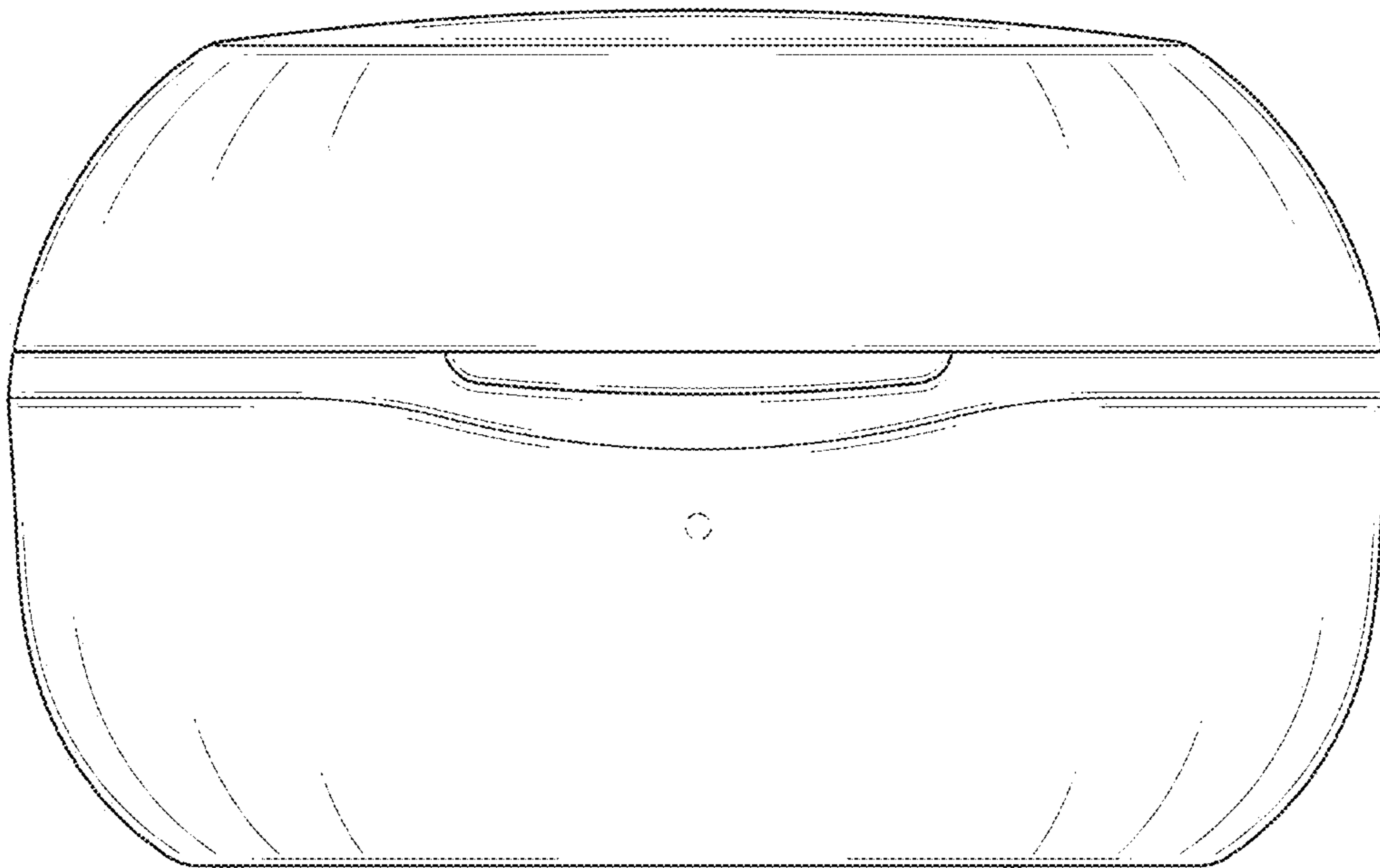


FIG. 3

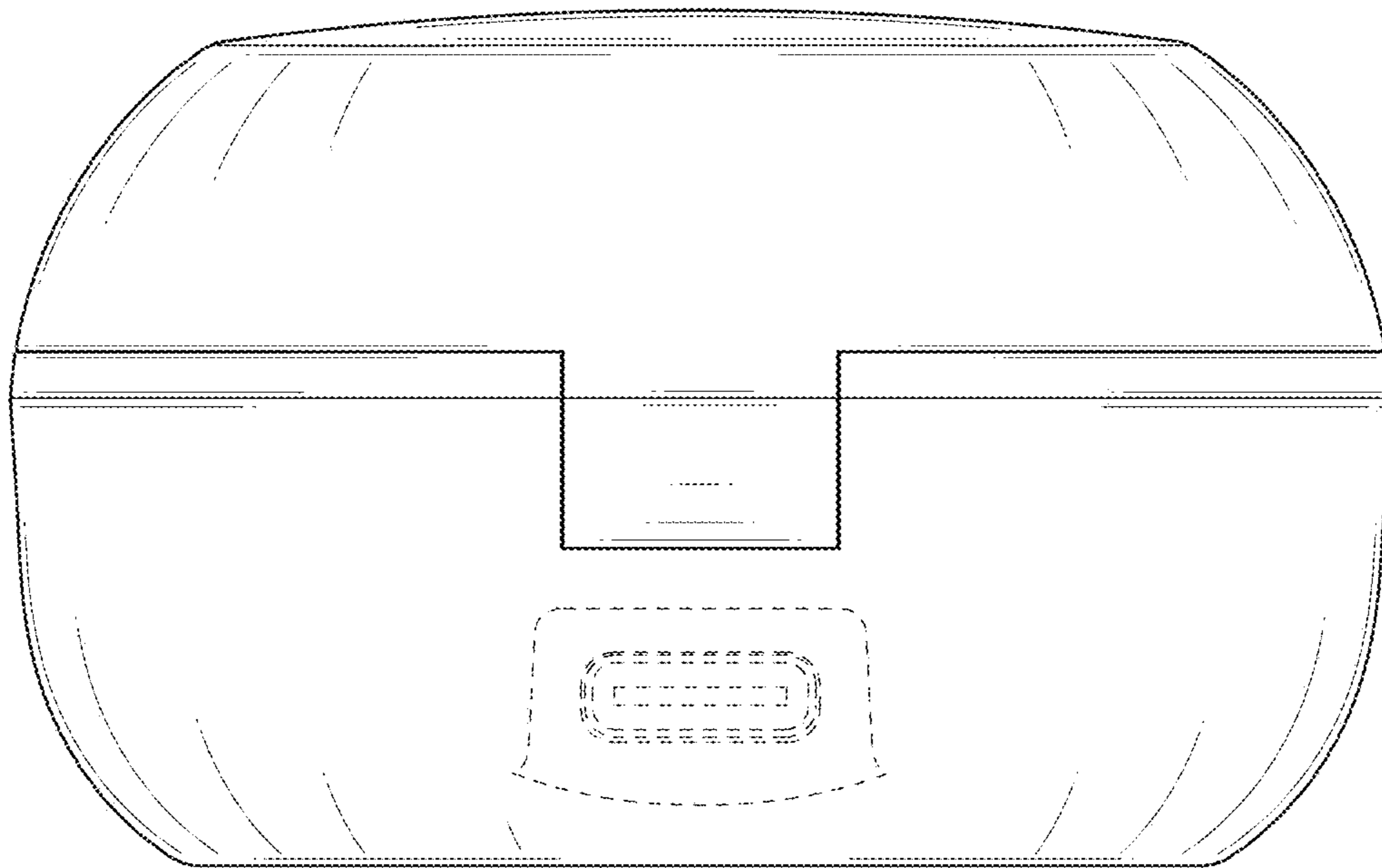


FIG. 4

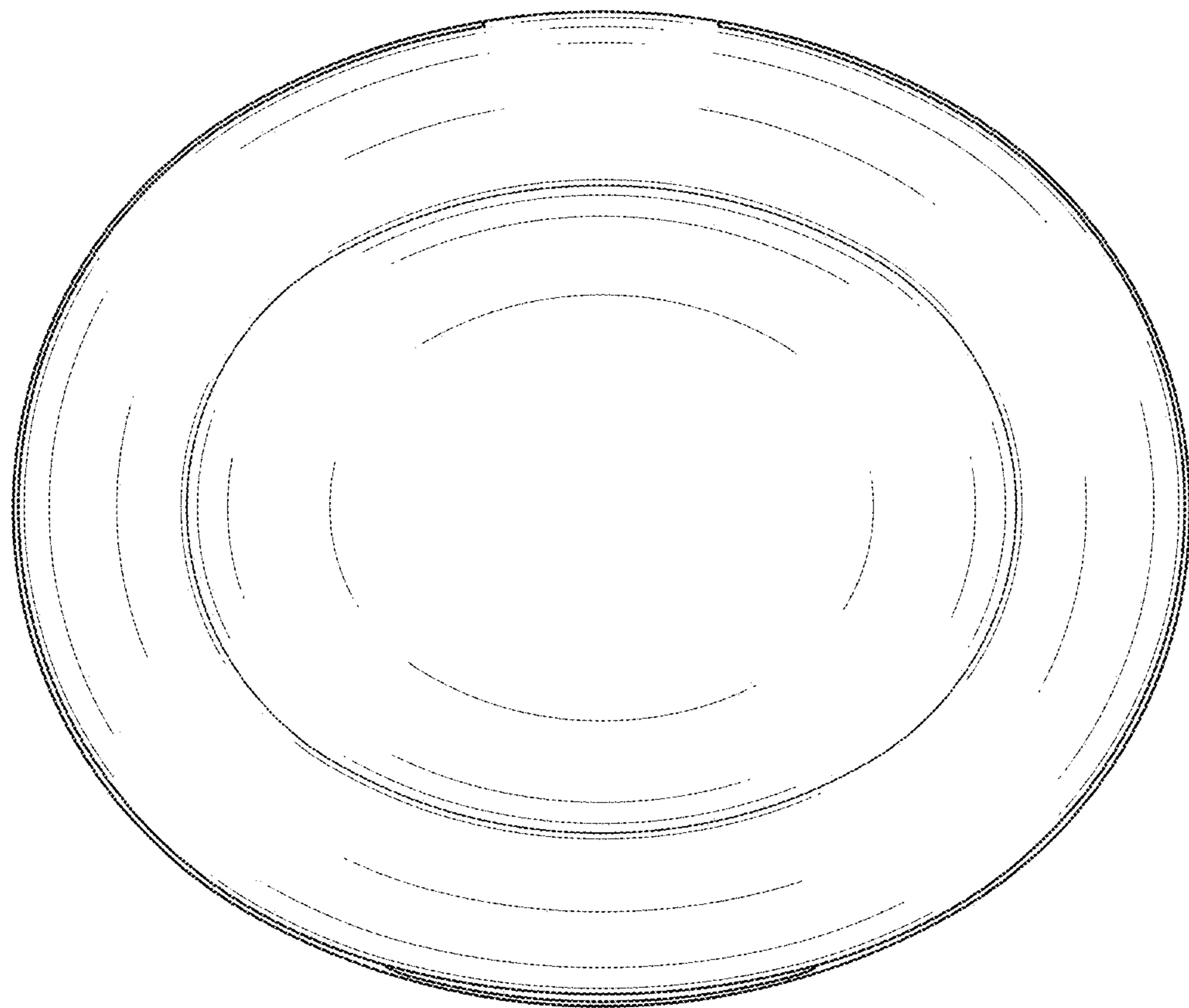


FIG. 5

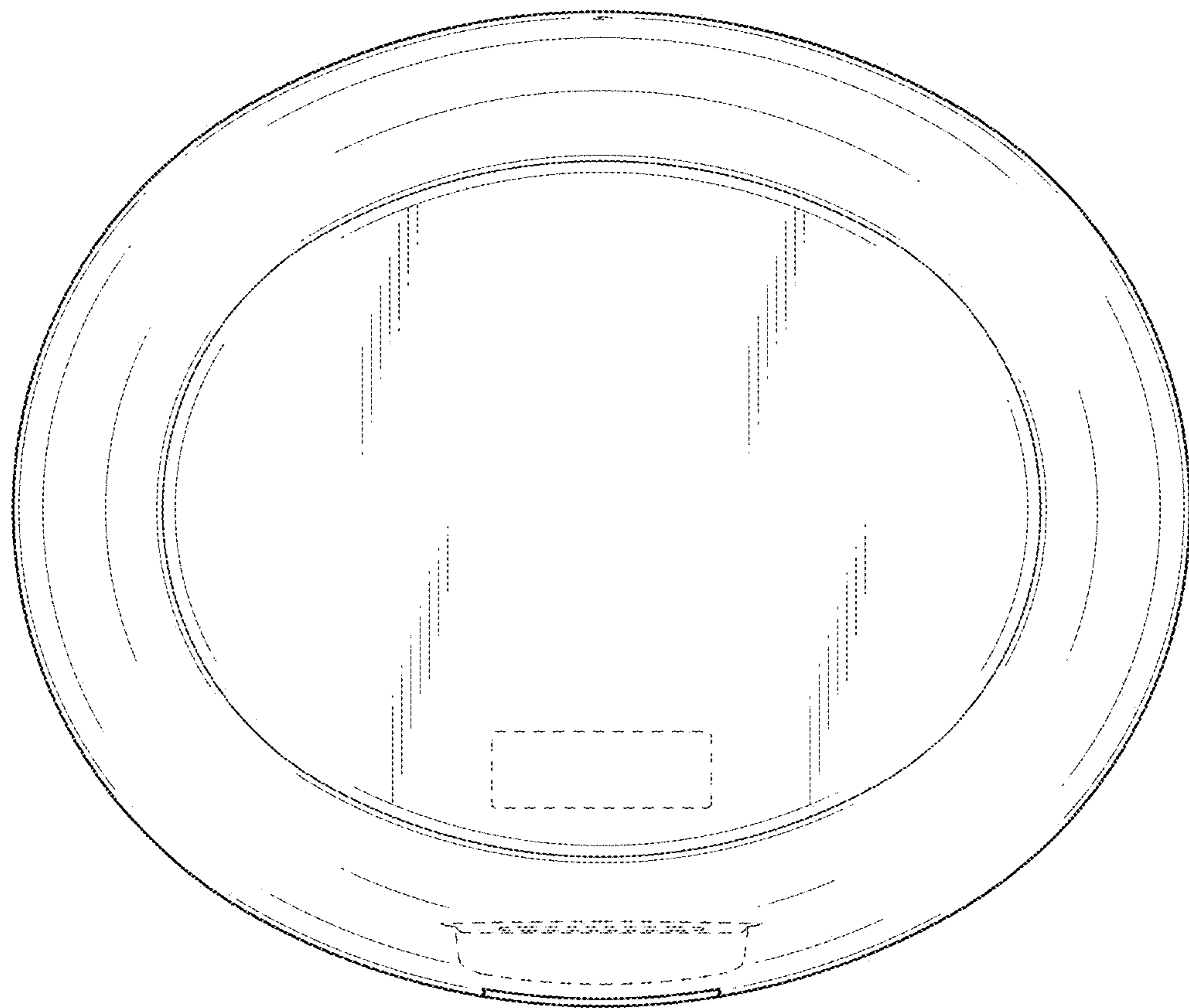


FIG. 6

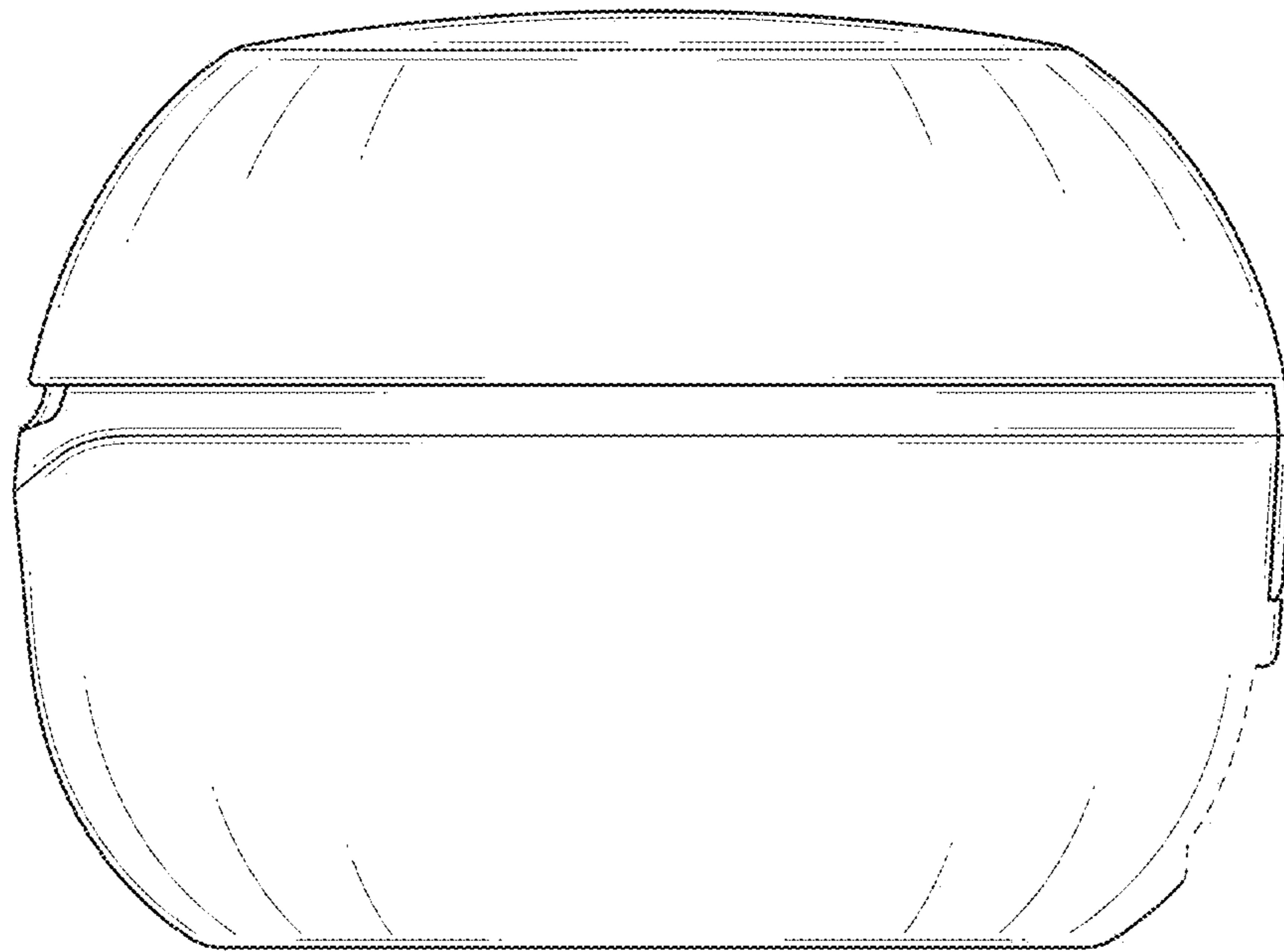




FIG. 7

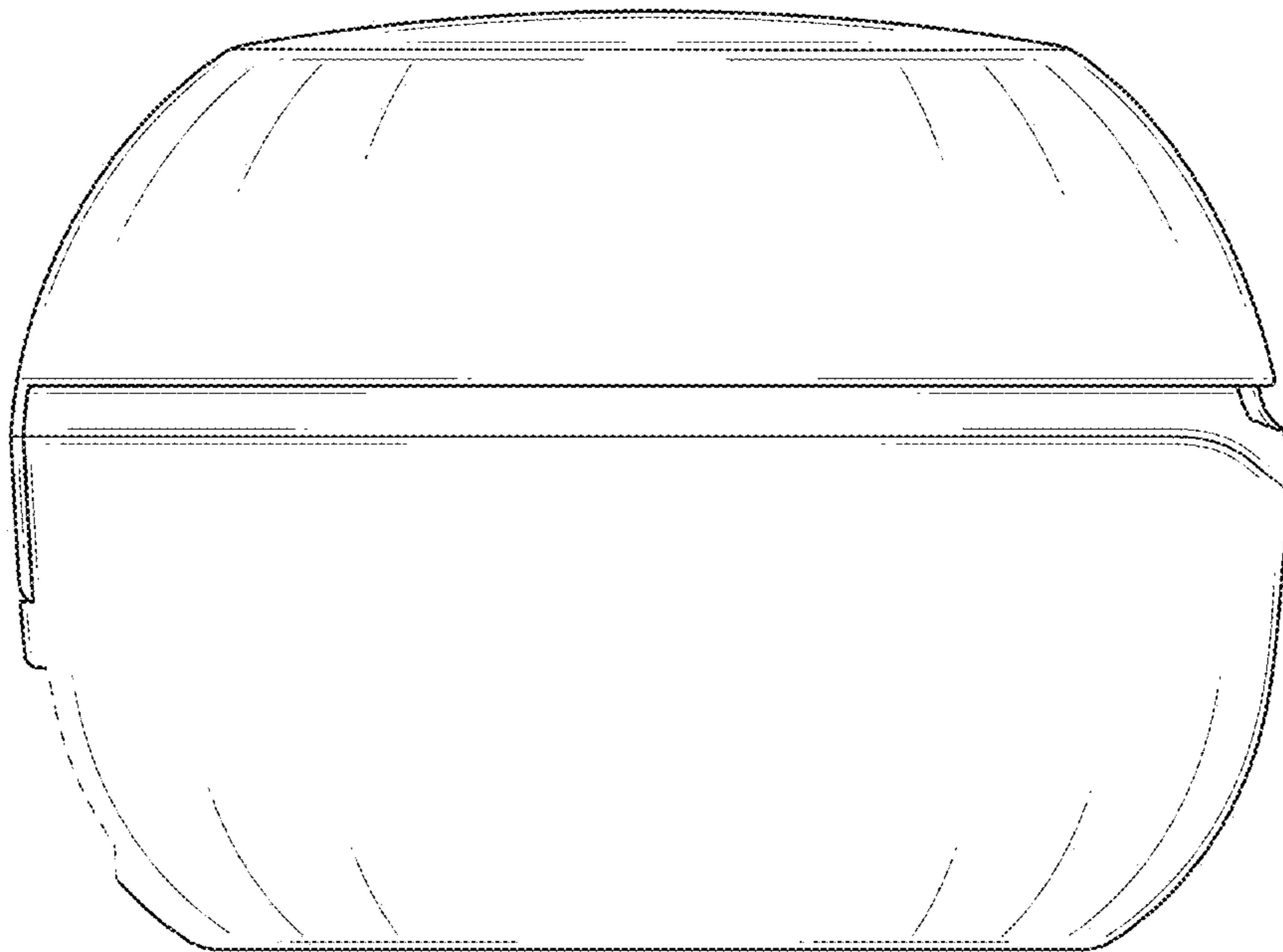


FIG. 8



FIG. 9

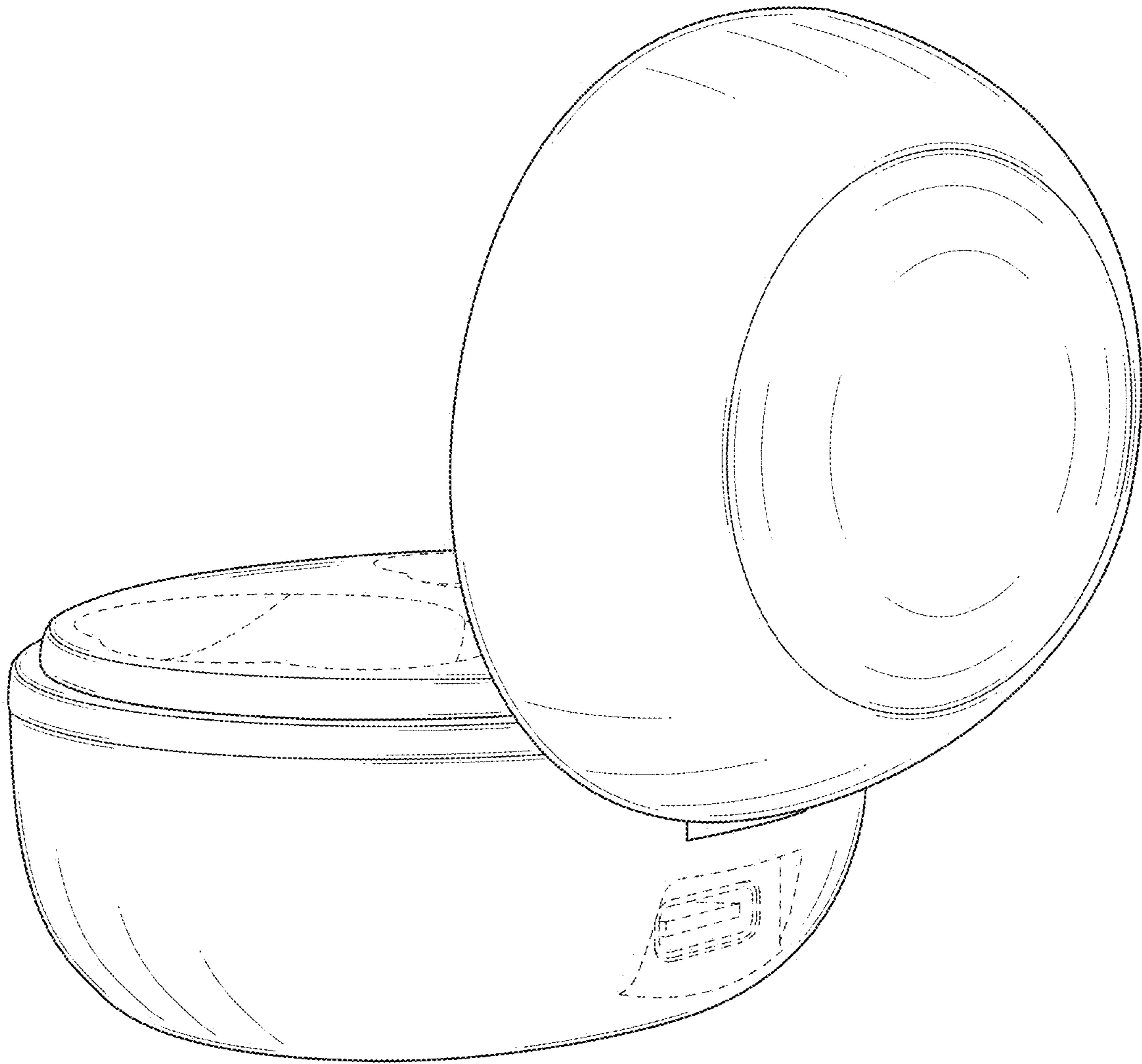


FIG. 10

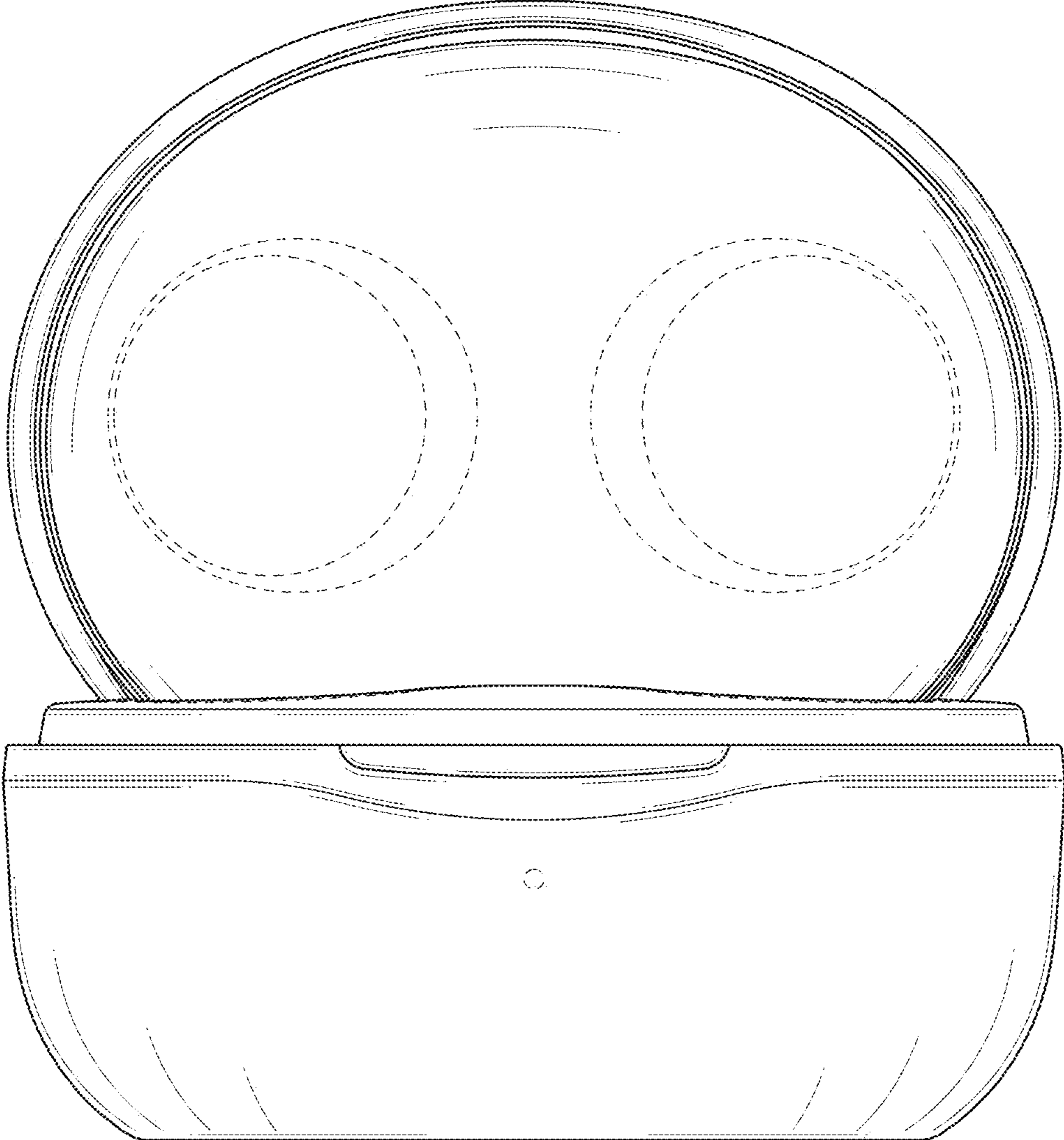


FIG. 11

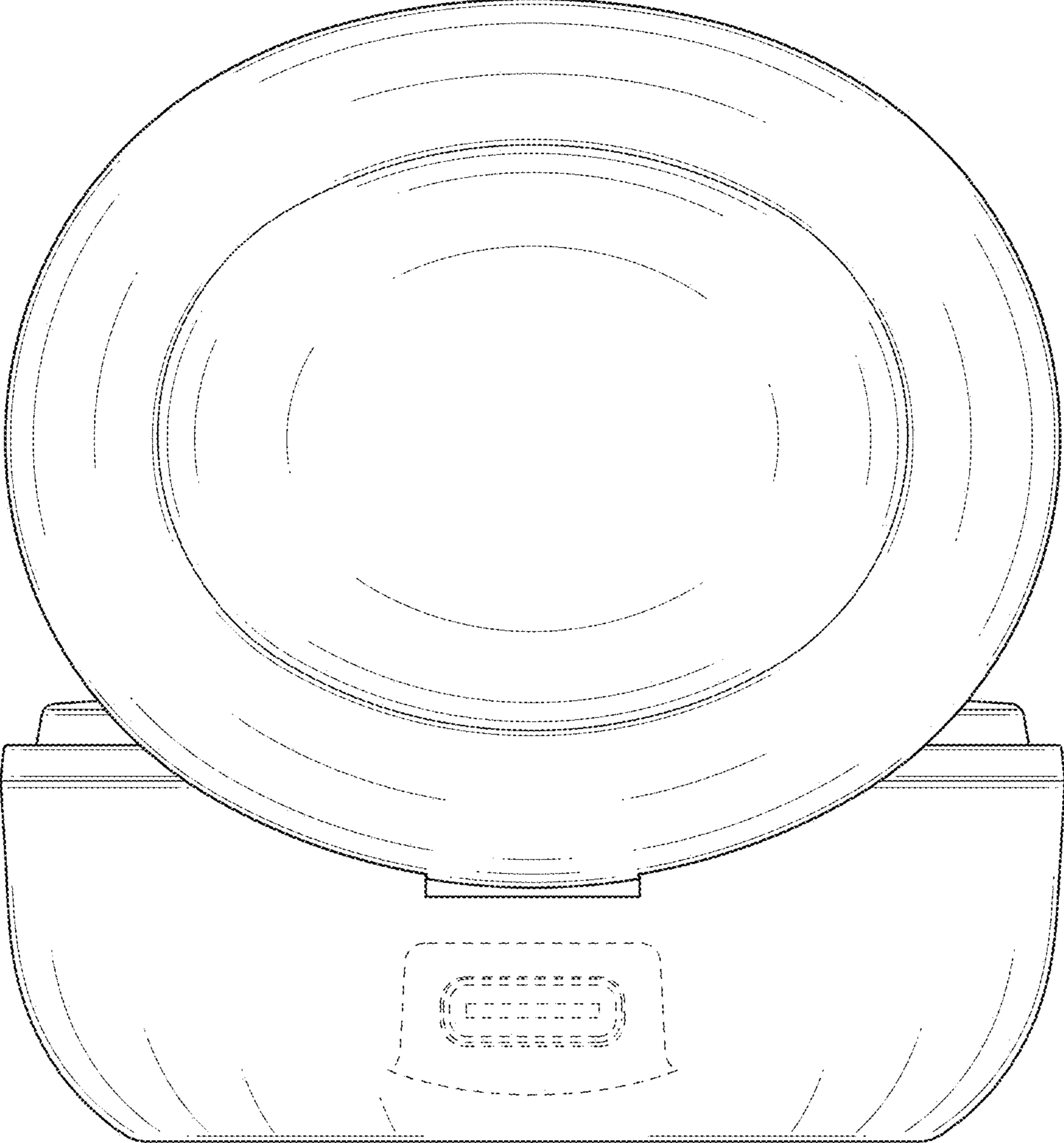


FIG. 12

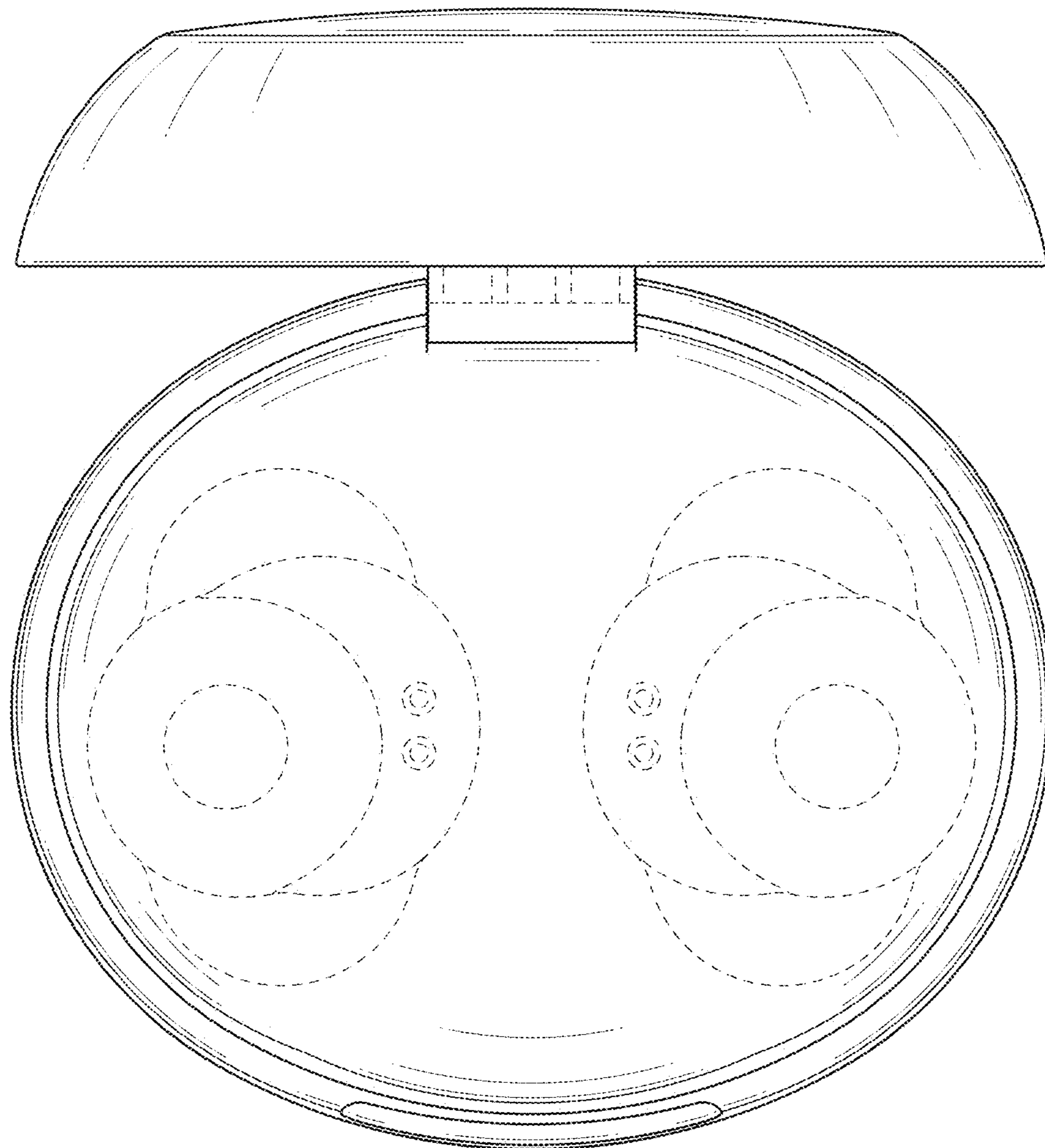


FIG. 13

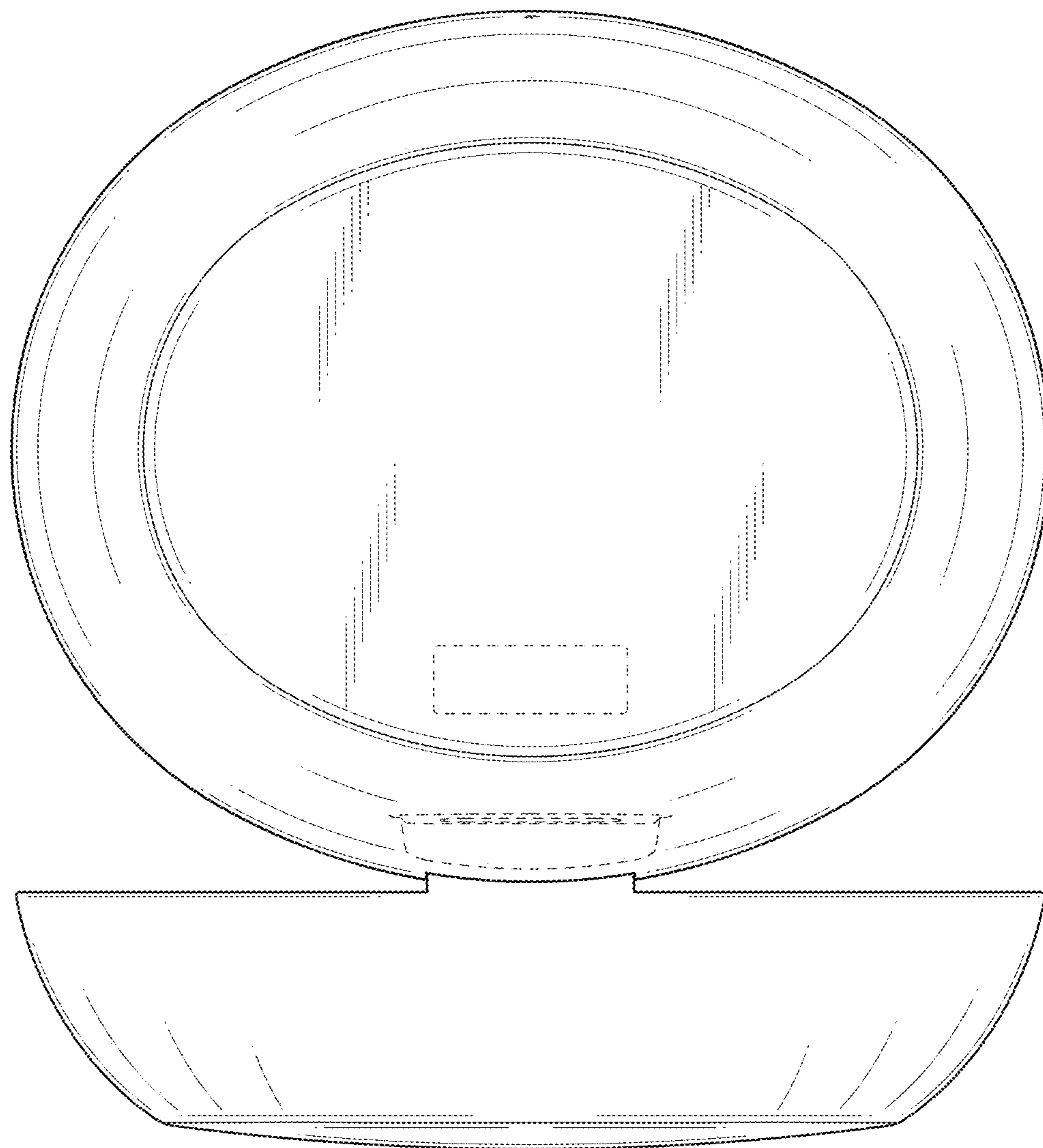


FIG. 14

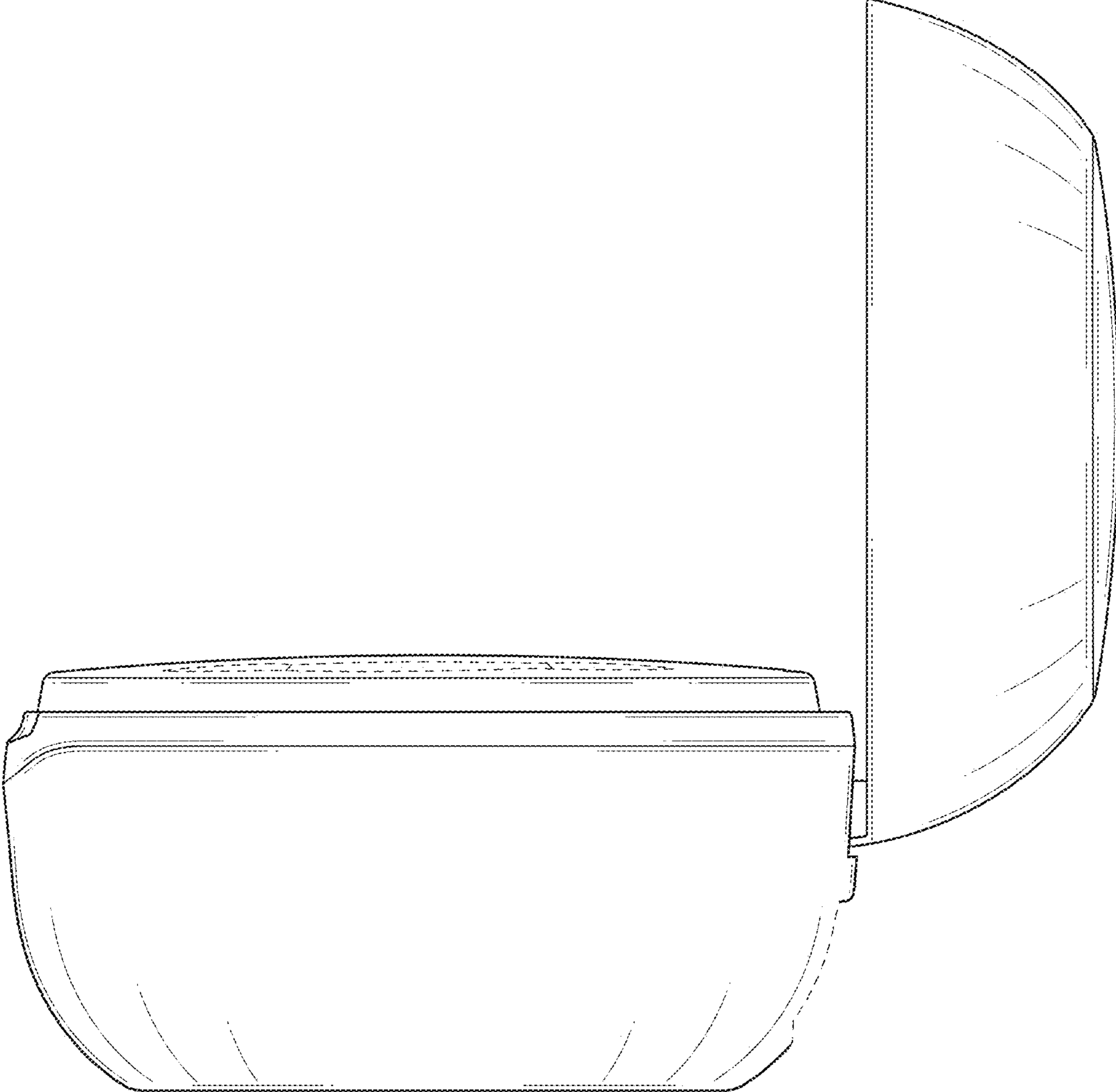




FIG. 15

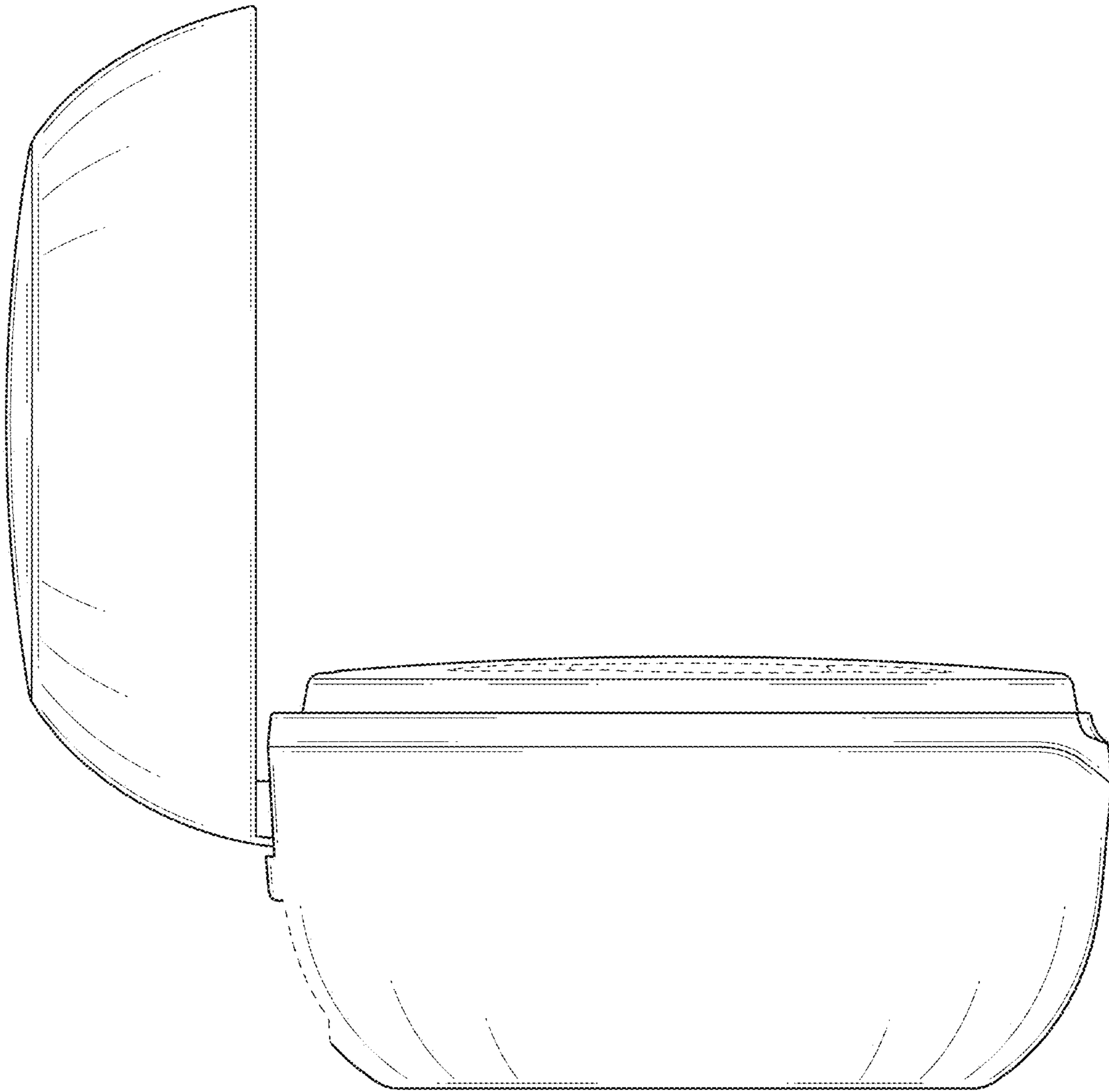


FIG. 16

