



US00D986165S

(12) **United States Design Patent**
Kinas et al.

(10) **Patent No.:** **US D986,165 S**

(45) **Date of Patent:** **** May 16, 2023**

(54) **BATTERY CHARGER**

D888,658 S * 6/2020 Urasini D13/103
(Continued)

(71) Applicants: **Jonathan Kinas**, Aventura, FL (US);
Robert Peck, Ganesvoort, CT (US);
Avin Samtani, Miami Beach, FL (US)

OTHER PUBLICATIONS

(72) Inventors: **Jonathan Kinas**, Aventura, FL (US);
Robert Peck, Ganesvoort, CT (US);
Avin Samtani, Miami Beach, FL (US)

“HyperJuice Battery”. Found online Aug. 25, 2022 at amazon.com. Reference dated Mar. 18, 2020. Retrieved from https://www.bhphotovideo.com/c/product/1552540-REG/hyper_hj_10000_black_hyperjuice_10_000mah_usb_c_lightning.html/reviews. (Year: 2020).*
(Continued)

(**) Term: **15 Years**

Primary Examiner — Kendra Leslie Hamilton
Assistant Examiner — Amanda Christensen

(21) Appl. No.: **29/779,157**

(22) Filed: **Apr. 16, 2021**

(51) **LOC (14) Cl.** **13-02**

(52) **U.S. Cl.**
USPC **D13/108**

(58) **Field of Classification Search**
USPC D13/103, 107, 108, 118, 119, 183;
D14/240, 251, 253, 432, 433, 434, 439,
D14/447
CPC H04B 1/3877; H02J 7/00047; H02J 50/05
See application file for complete search history.

(57) **CLAIM**

We claim the ornamental design for a battery charger, as shown and described.

(56) **References Cited**

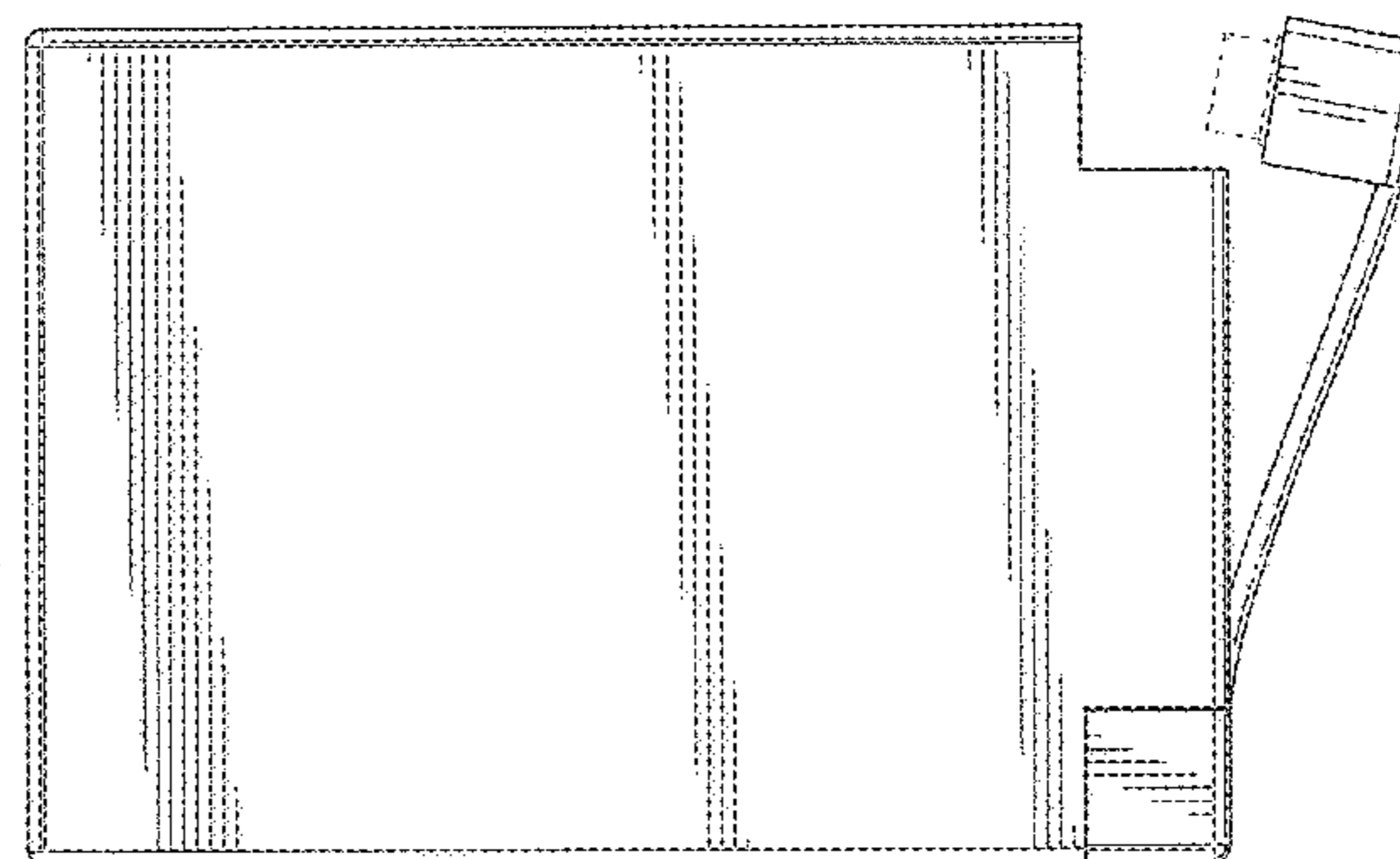
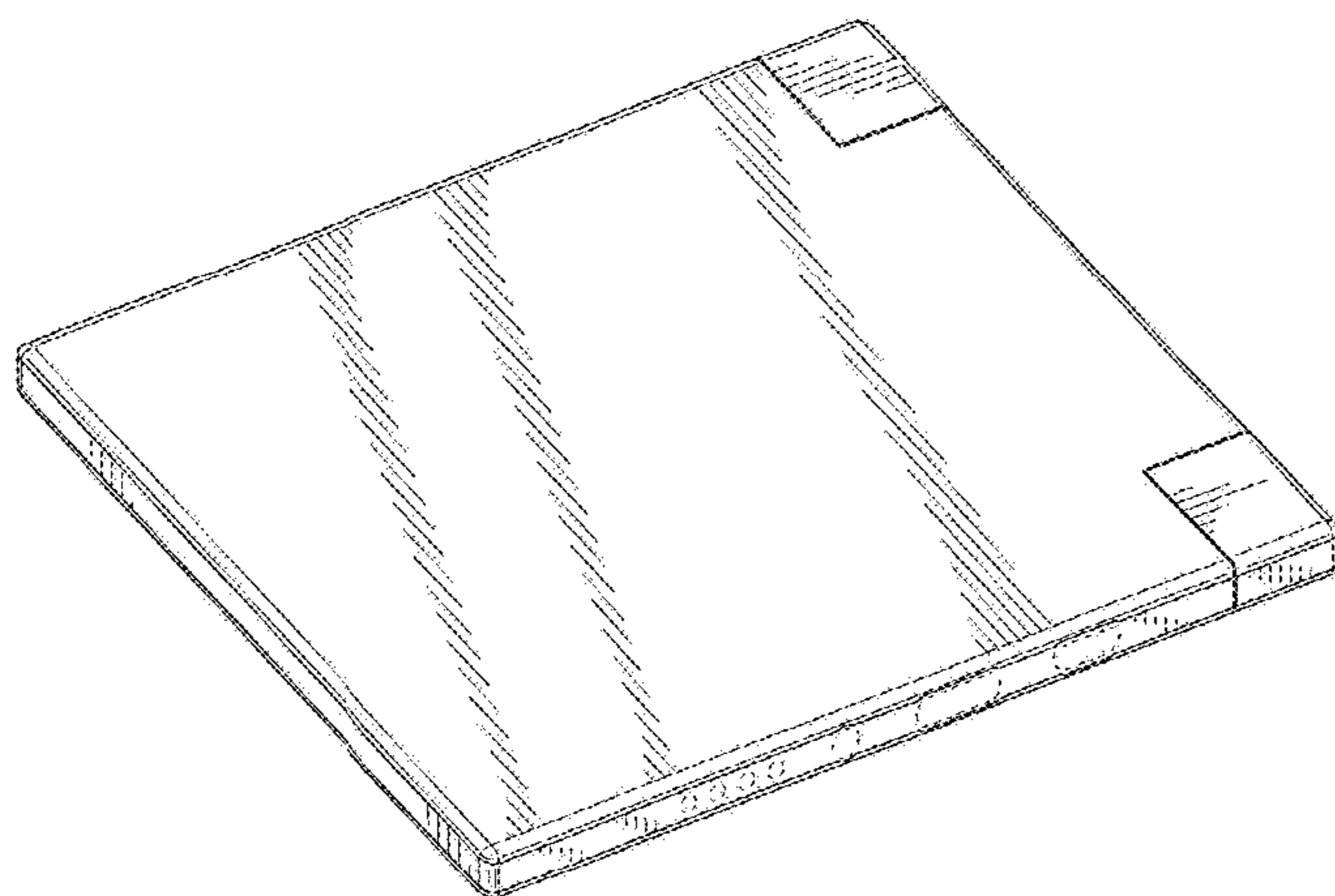
U.S. PATENT DOCUMENTS

6,722,917	B2 *	4/2004	Huang	H01R 25/003 439/502
D628,535	S *	12/2010	Cheng	D13/108
D659,094	S *	5/2012	Brand	D13/108
8,215,983	B2 *	7/2012	Obata	H05K 5/0247 439/528
D680,063	S *	4/2013	Sasada	D13/103
D686,152	S *	7/2013	Lee	D13/103
D716,224	S *	10/2014	Blumin	D13/108
D722,961	S *	2/2015	Lin	D13/103
9,153,985	B1 *	10/2015	Gjøvik	H02J 7/0042
D745,456	S *	12/2015	Fung	D13/108
D764,404	S *	8/2016	Lau	D13/103
D783,525	S *	4/2017	Gupta	D13/108
D797,663	S *	9/2017	Miller	D13/107
D809,793	S *	2/2018	Hahn	D3/249
D823,239	S *	7/2018	Gupta	D13/103
D836,543	S *	12/2018	Sun	D13/103
D869,392	S *	12/2019	Roberts	D13/108

DESCRIPTION

FIG. 1 is a perspective view of a battery charger, showing our design with the connector attached;
FIG. 2 is a front elevational view thereof;
FIG. 3 is a back elevational view thereof.
FIG. 4 is a left side elevational view thereof;
FIG. 5 is a right side elevational view thereof;
FIG. 6 is a top plan view thereof;
FIG. 7 is a bottom plan view thereof;
FIG. 8 is a front elevational view thereof with the charger connector removed;
FIG. 9 is a back elevational view thereof;
FIG. 10 is a right side elevational view thereof;
FIG. 11 is a front elevational view thereof with the charger connector partially separated from the bottom side of the battery charger; and,
FIG. 12 is a front elevational view thereof with the charger connector partially separated from the top side of the battery charger.
The broken lines depict portions of the battery charger that form no part of the claimed design.

1 Claim, 7 Drawing Sheets



(56)

References Cited

U.S. PATENT DOCUMENTS

D897,287 S * 9/2020 Georgiades D13/108
D926,184 S * 7/2021 Zhang D14/433
2007/0020993 A1 * 1/2007 Symons B65H 75/14
439/501
2013/0193911 A1 * 8/2013 Miller H02J 7/0049
320/107
2016/0294133 A1 * 10/2016 Xie H01R 13/70
2019/0372377 A1 * 12/2019 Weinstein H02J 7/00

OTHER PUBLICATIONS

“TNTOR Ultra Thin Power Bank”. Found online Nov. 9, 2022 at amazon.com. Reference dated Sep. 21, 2020. Retrieved from <https://www.amazon.com/TNTOR-Portable-Charger-External-Compatible/dp/B09DK9PT8R/?th=1>. (Year: 2020).*

“Power Bank Built-in Micro USB Cable”. Found online Nov. 9, 2022 at gearbest.com. Reference dated Sep. 23, 2016. Retrieved from https://www.gearbest.com/power-banks/pp_436972.html. (Year: 2016).*

“AquaVault Charge Card”. Found online Jan. 20, 2023 at youtube.com. Reference dated Dec. 21, 2020. Retrieved from <https://www.youtube.com/watch?v=iEH7RLMnUmo&t=14s>. (Year: 2020).*

“ClutchCharger”. Found online Jan. 20, 2023 at amazon.com. Reference dated Apr. 14, 2019. Retrieved from <https://us.amazon.com/Clutch-Portable-High-Speed-Compatible-AirPods/dp/B07QY23VWJ>. (Year: 2019).*

“ChargeCard”. Found online Jan. 19, 2023 at pcmag.com. Reference dated Apr. 10, 2013. Retrieved from <https://www.pcmag.com/reviews/chargecard>. (Year: 2013).*

* cited by examiner

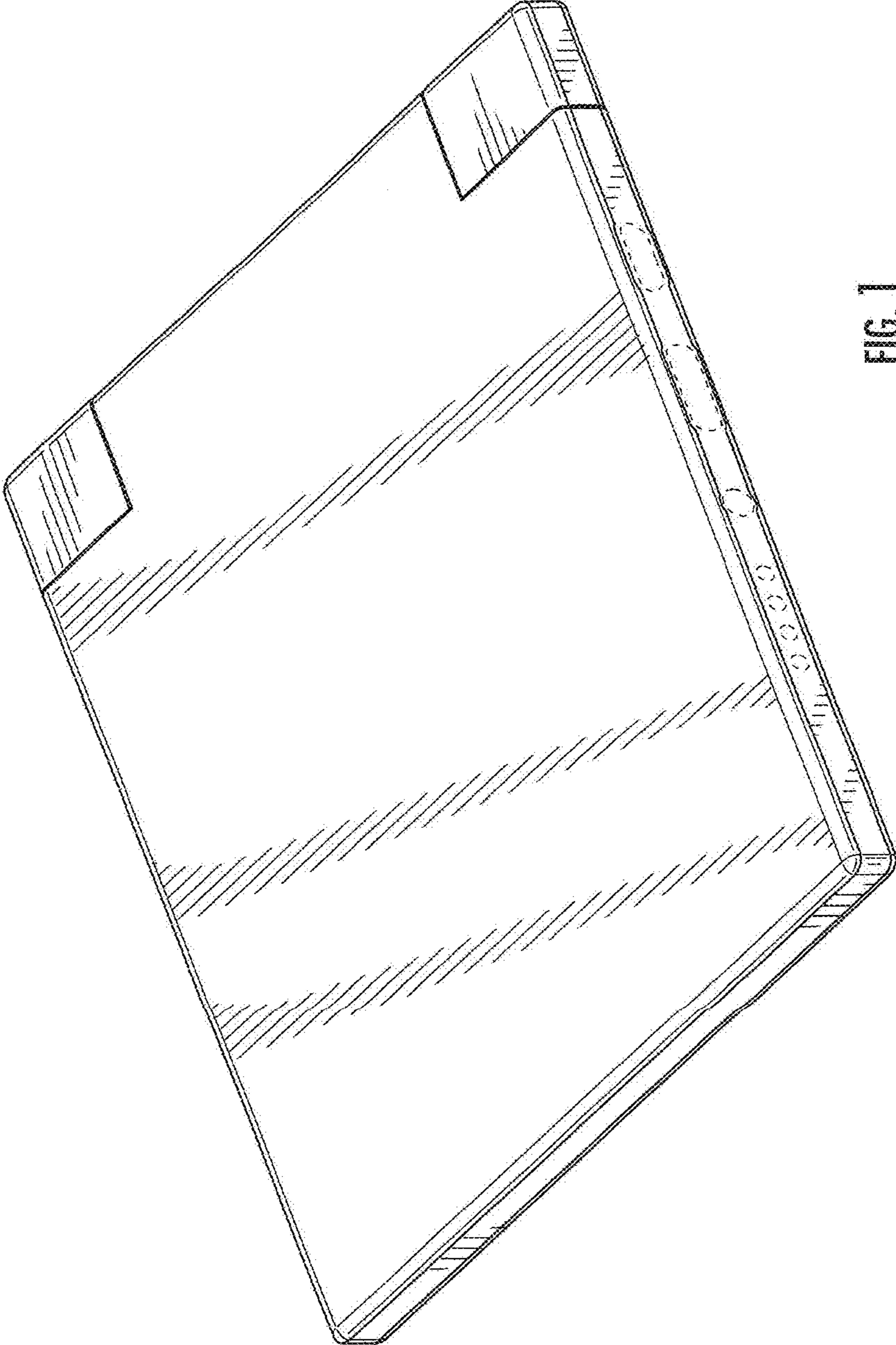


FIG. 1

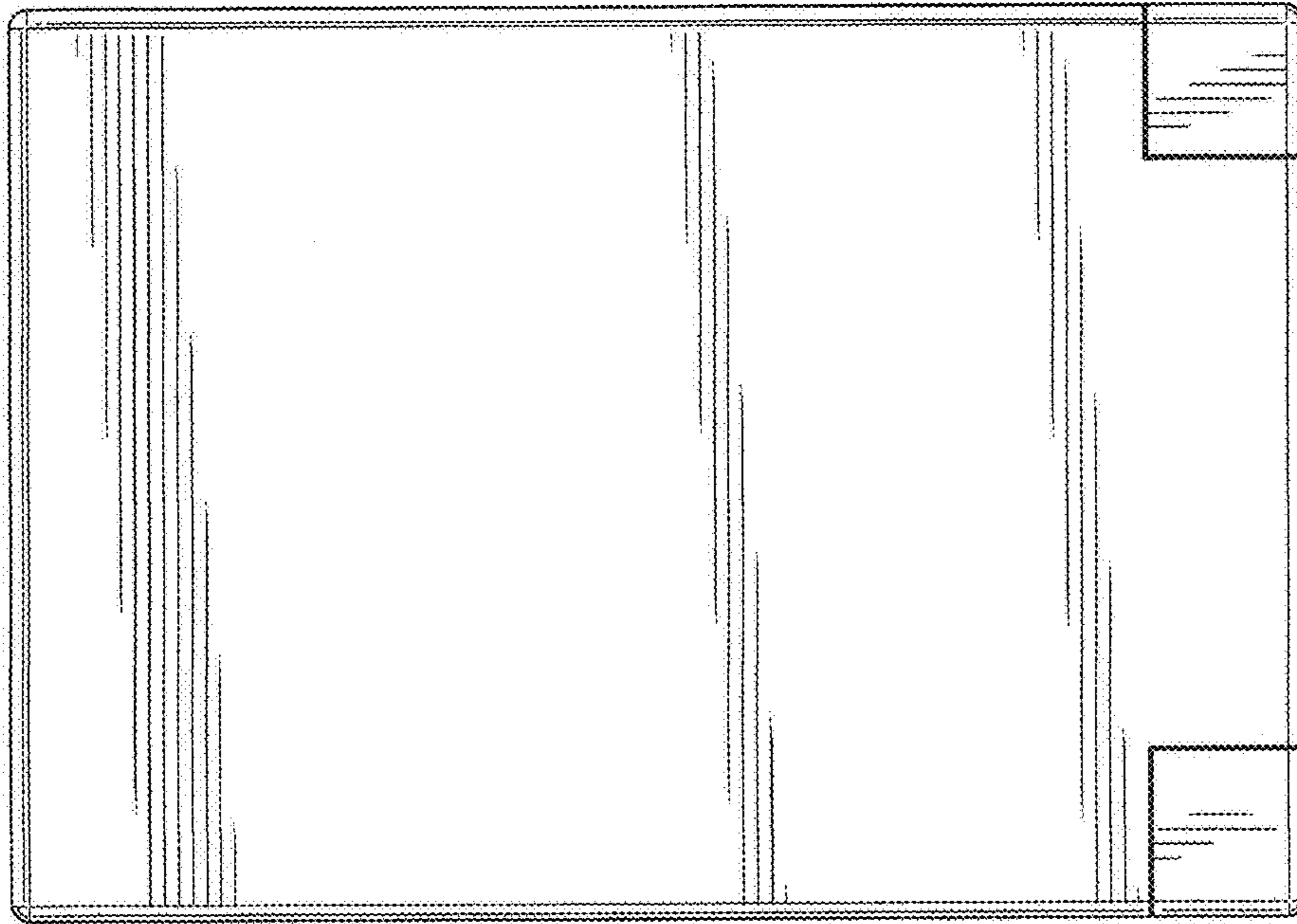


FIG. 2

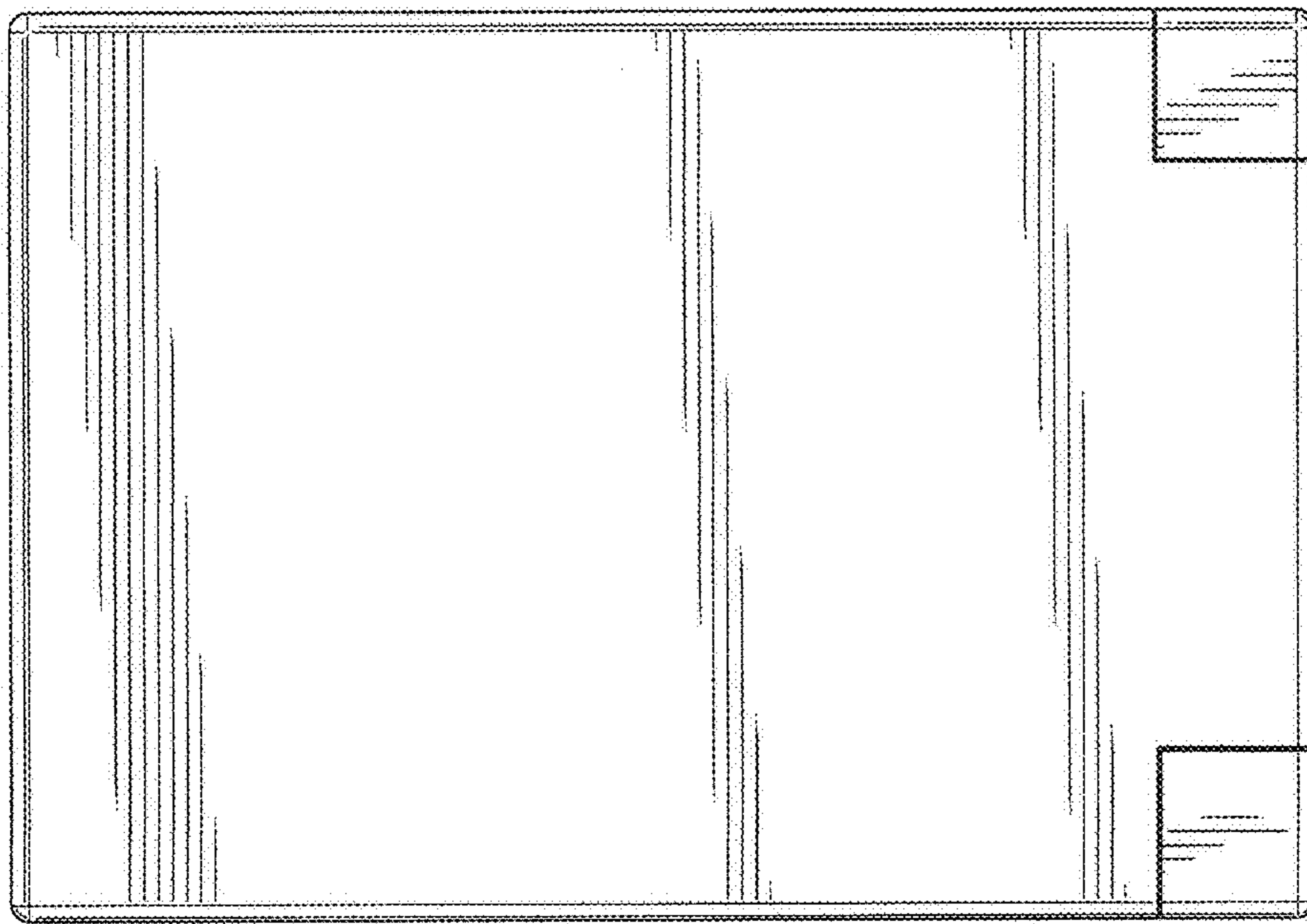


FIG. 3

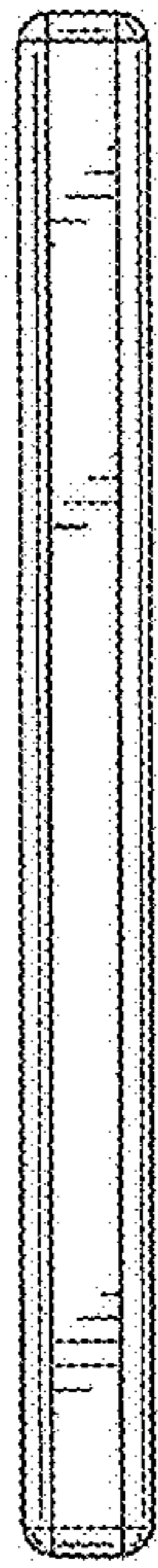


FIG. 4



FIG. 5

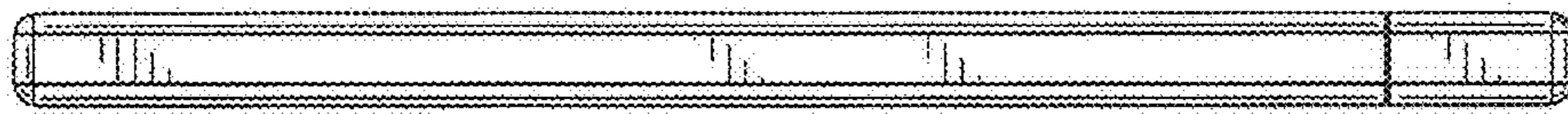


FIG. 6

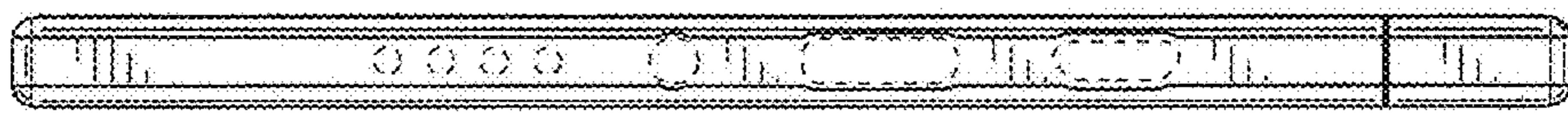


FIG. 7

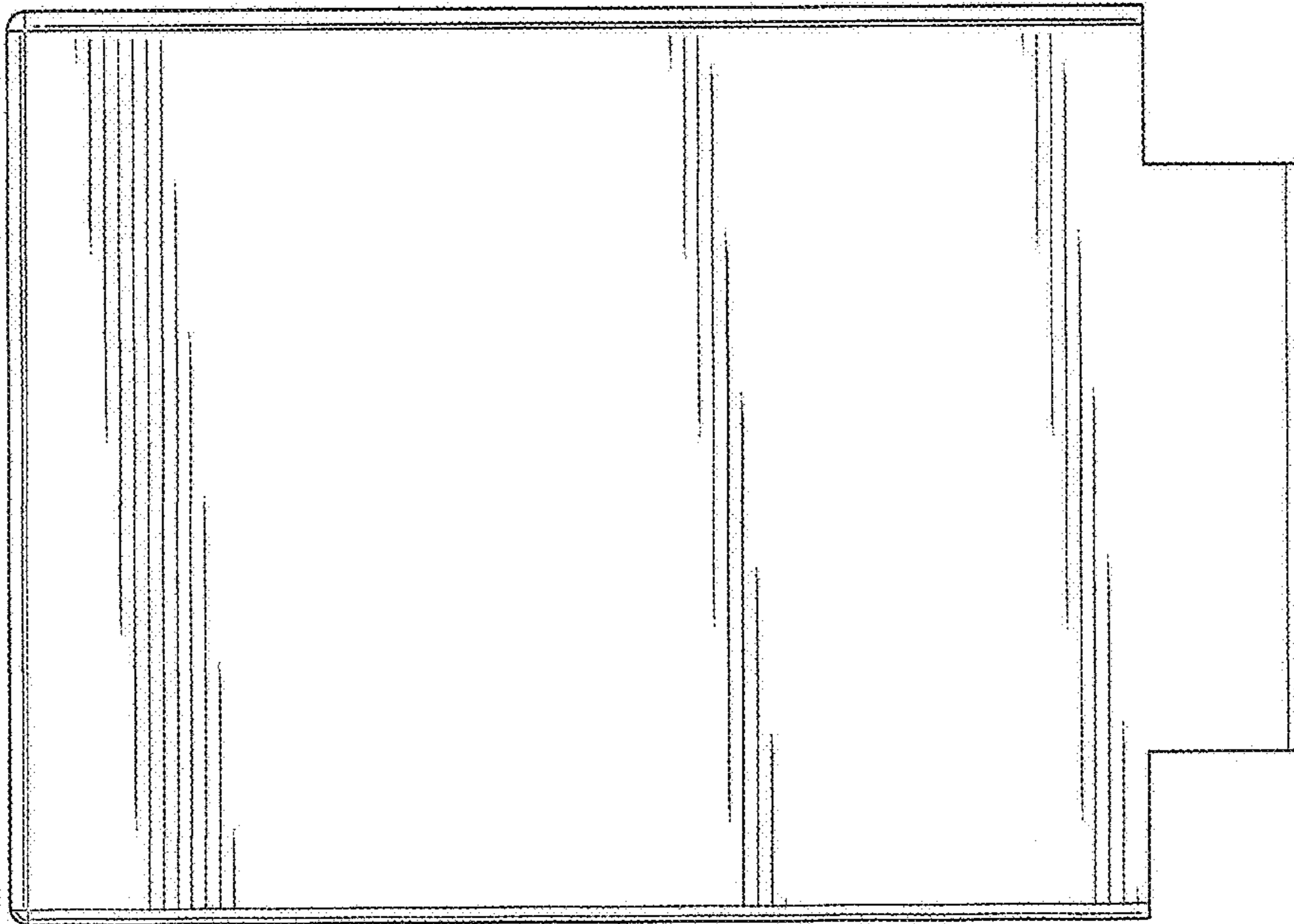


FIG. 8

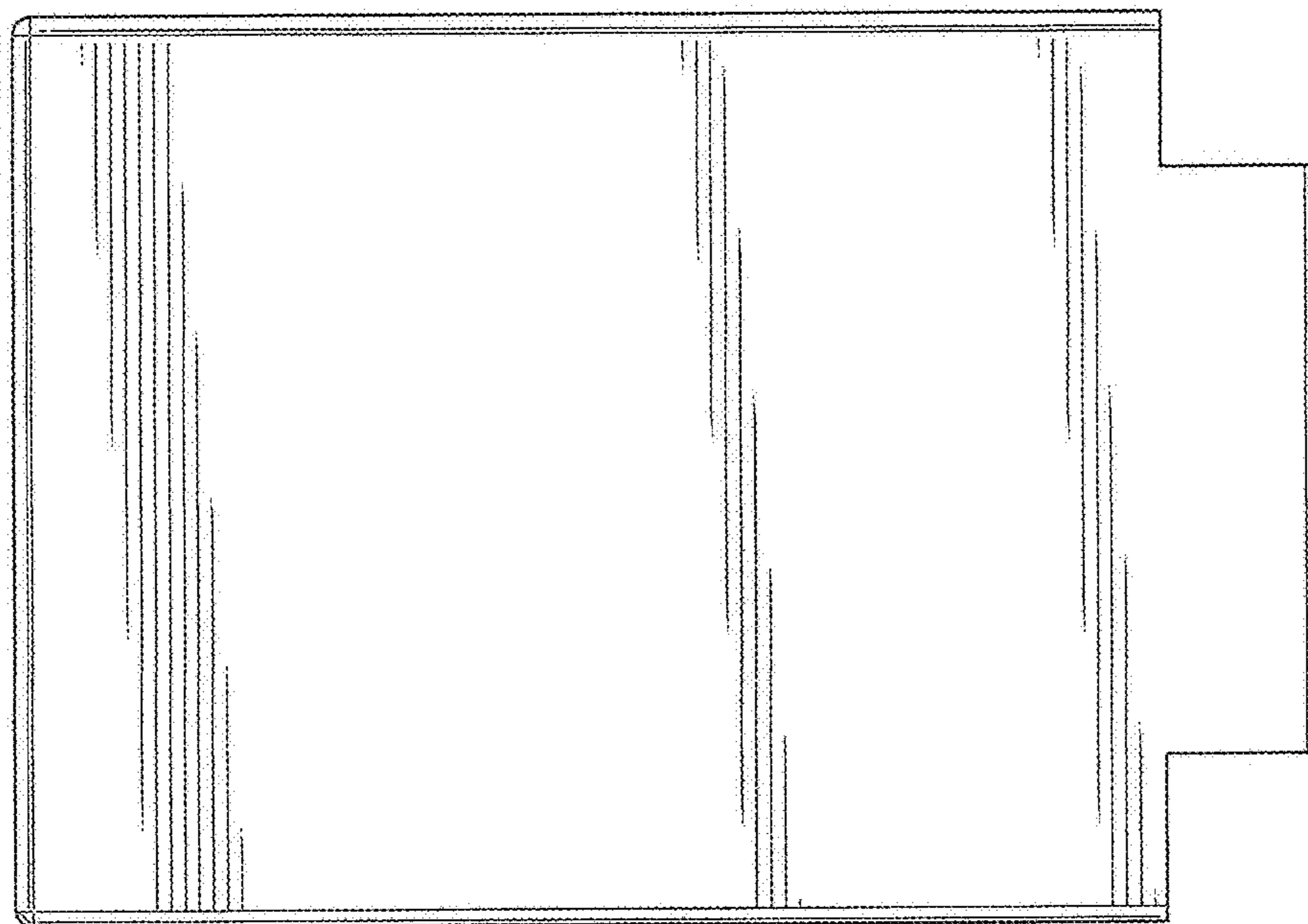


FIG. 9

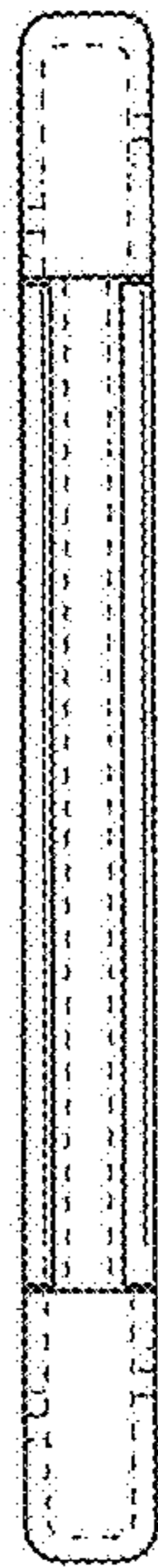


FIG. 10

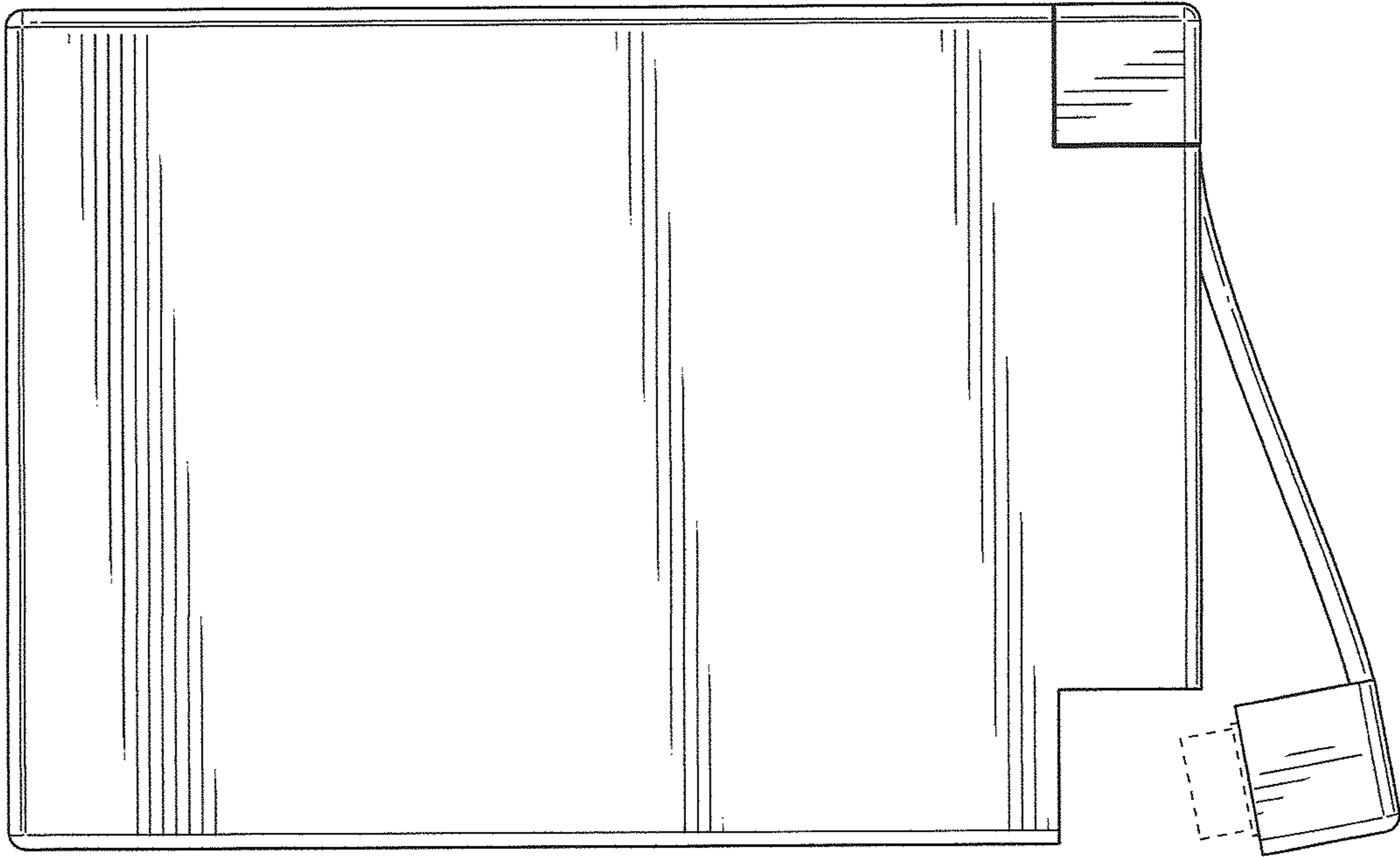


FIG. 11

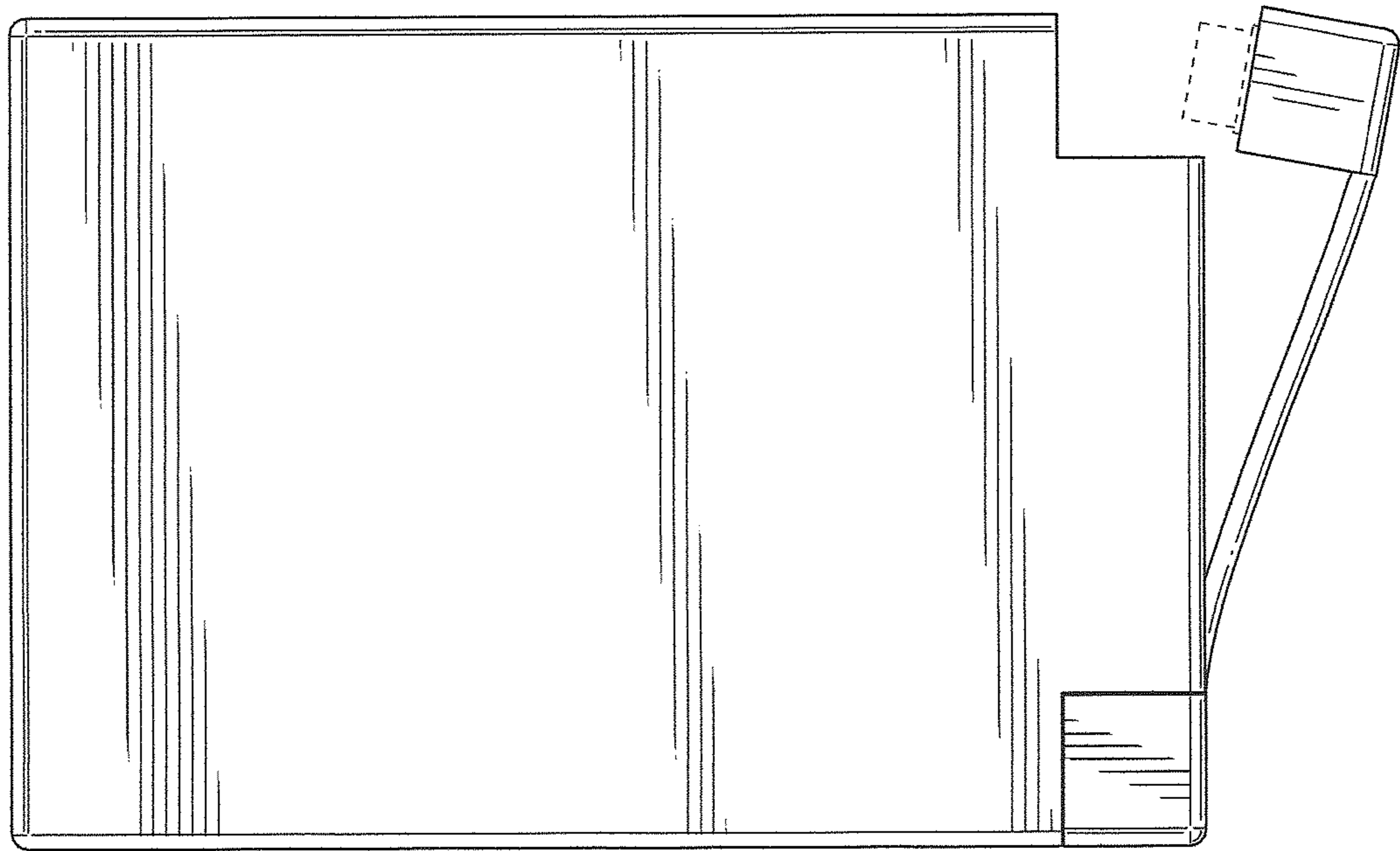


FIG. 12