



US00D986163S

(12) **United States Design Patent** (10) **Patent No.:** **US D986,163 S**
Li (45) **Date of Patent:** **** May 16, 2023**

(54) **CHARGER**
(71) Applicant: **Jiang Li**, Guangdong (CN)
(72) Inventor: **Jiang Li**, Guangdong (CN)
(**) Term: **15 Years**
(21) Appl. No.: **29/795,927**
(22) Filed: **Jun. 22, 2021**
(51) **LOC (14) Cl.** **13-02**
(52) **U.S. Cl.**
USPC **D13/107**
(58) **Field of Classification Search**
USPC D13/107-108, 110, 118-119, 184, 199;
D14/251, 253, 432-434, 447
CPC H02J 7/025; H02J 7/005; H02J 7/02; H02J
7/0026; H02J 7/0042; H02J 7/0044; H02J
7/0045; H02J 7/13; H02J 7/0003
See application file for complete search history.

D610,085 S * 2/2010 Sweeney D13/107
D621,345 S * 8/2010 Tinius D13/107
D635,917 S * 4/2011 Okuda D13/107
D642,518 S * 8/2011 Kokawa D13/107
D652,793 S * 1/2012 Tschopp D13/107
D668,219 S * 10/2012 Zhao D13/107
D721,648 S * 1/2015 Breines D13/107
D723,458 S * 3/2015 Martinez D13/108
D839,183 S * 1/2019 Kirkpatrick D13/107
D840,926 S * 2/2019 Howell D13/107
D885,331 S * 5/2020 Suzuki D13/108
D897,948 S * 10/2020 Yrad, Jr. H01R 13/501
D13/107
D900,024 S * 10/2020 Kuang D13/107
D900,025 S * 10/2020 Chen D13/107
D924,128 S * 7/2021 Hasenmayer D13/107
D931,803 S * 9/2021 Ge D13/107

* cited by examiner

Primary Examiner — Rosemary K Tarcza

(57) **CLAIM**

The ornamental design for a charger, as shown and described.

(56) **References Cited**

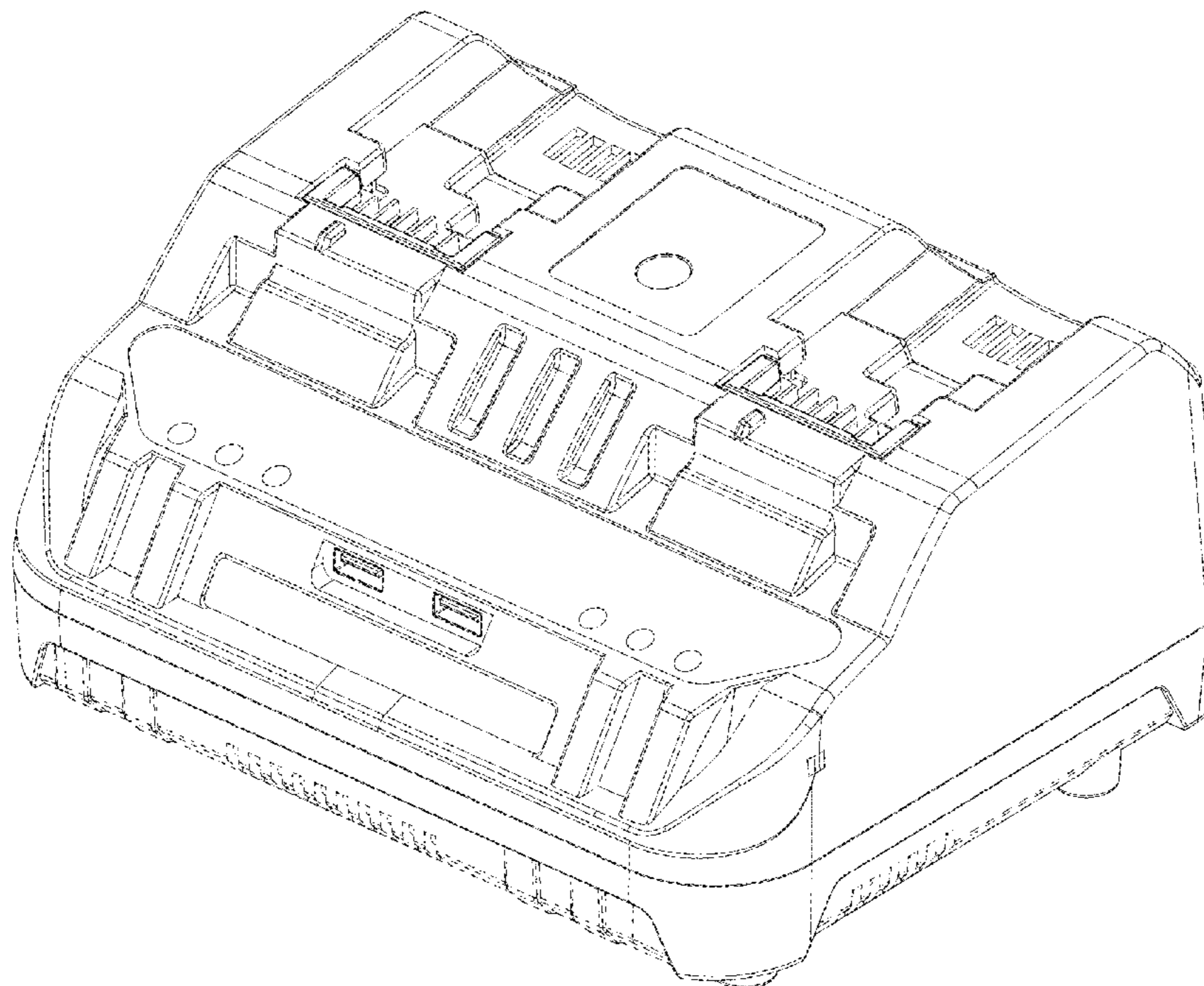
U.S. PATENT DOCUMENTS

D327,247 S * 6/1992 Higuchi D13/108
D328,450 S * 8/1992 Watanabe D13/108
D349,485 S * 8/1994 Richards D13/107
D408,352 S * 4/1999 Tashiro D13/107
D462,657 S * 9/2002 Kaneko D13/107
D487,570 S * 3/2004 Ito D13/107
D505,913 S * 6/2005 Kam Lun D13/107
D506,972 S * 7/2005 Parel D13/107
D507,234 S * 7/2005 Heun D13/107
D507,525 S * 7/2005 Heun D13/107
D548,687 S * 8/2007 Okuda D13/107
D573,089 S * 7/2008 Mandel D13/107
D601,953 S * 10/2009 Asai D13/107
D605,111 S * 12/2009 Schoch D13/107

DESCRIPTION

FIG. 1 is a front elevational view of a charger showing my new design;
FIG. 2 is a left side view thereof;
FIG. 3 is a right side view thereof;
FIG. 4 is a top plan view thereof;
FIG. 5 is a bottom plan view thereof;
FIG. 6 is a perspective view thereof; and,
FIG. 7 is another perspective view thereof.
The broken lines shown in the drawings illustrate portions of the charger that form no part of the claimed design.

1 Claim, 7 Drawing Sheets



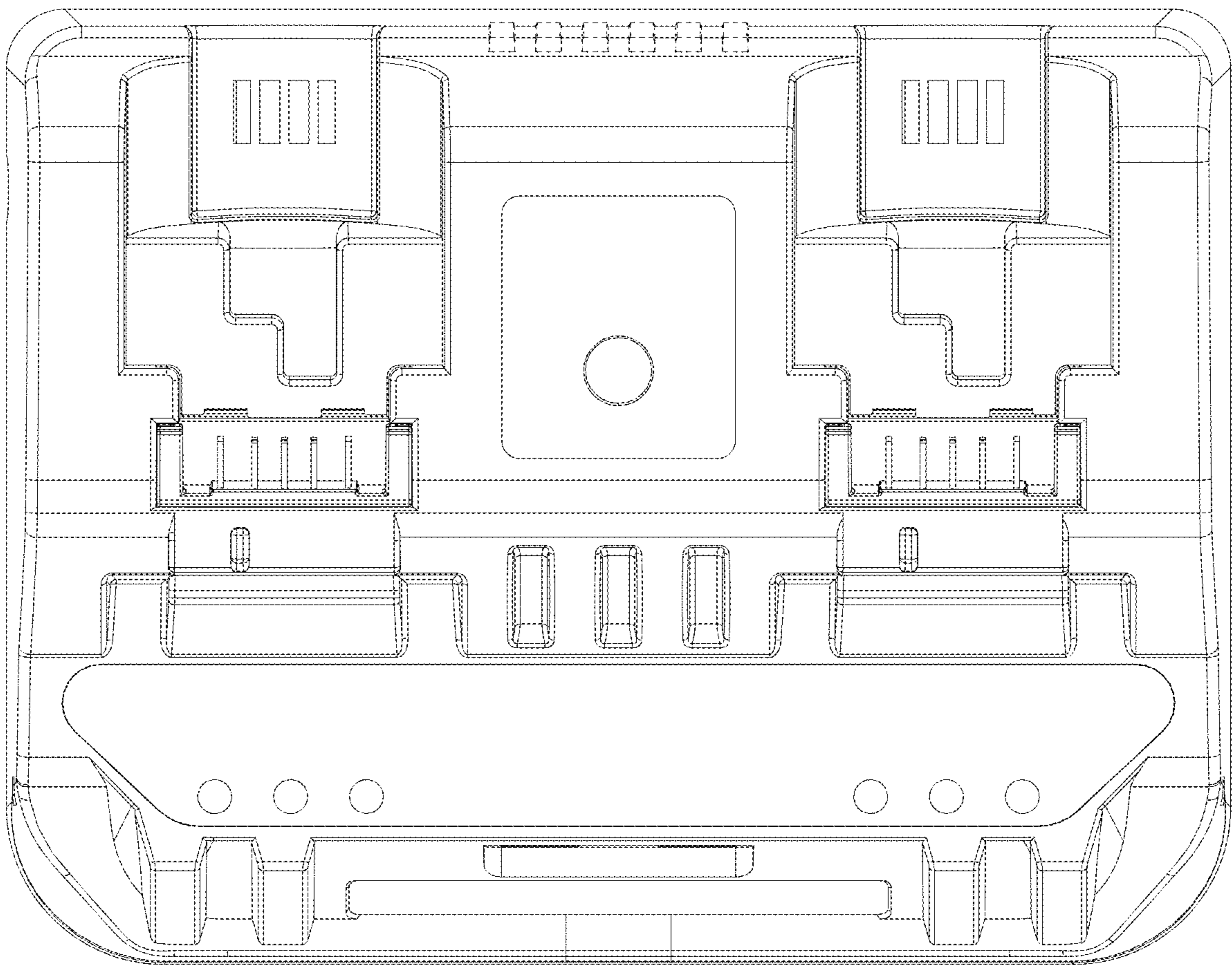


FIG. 1

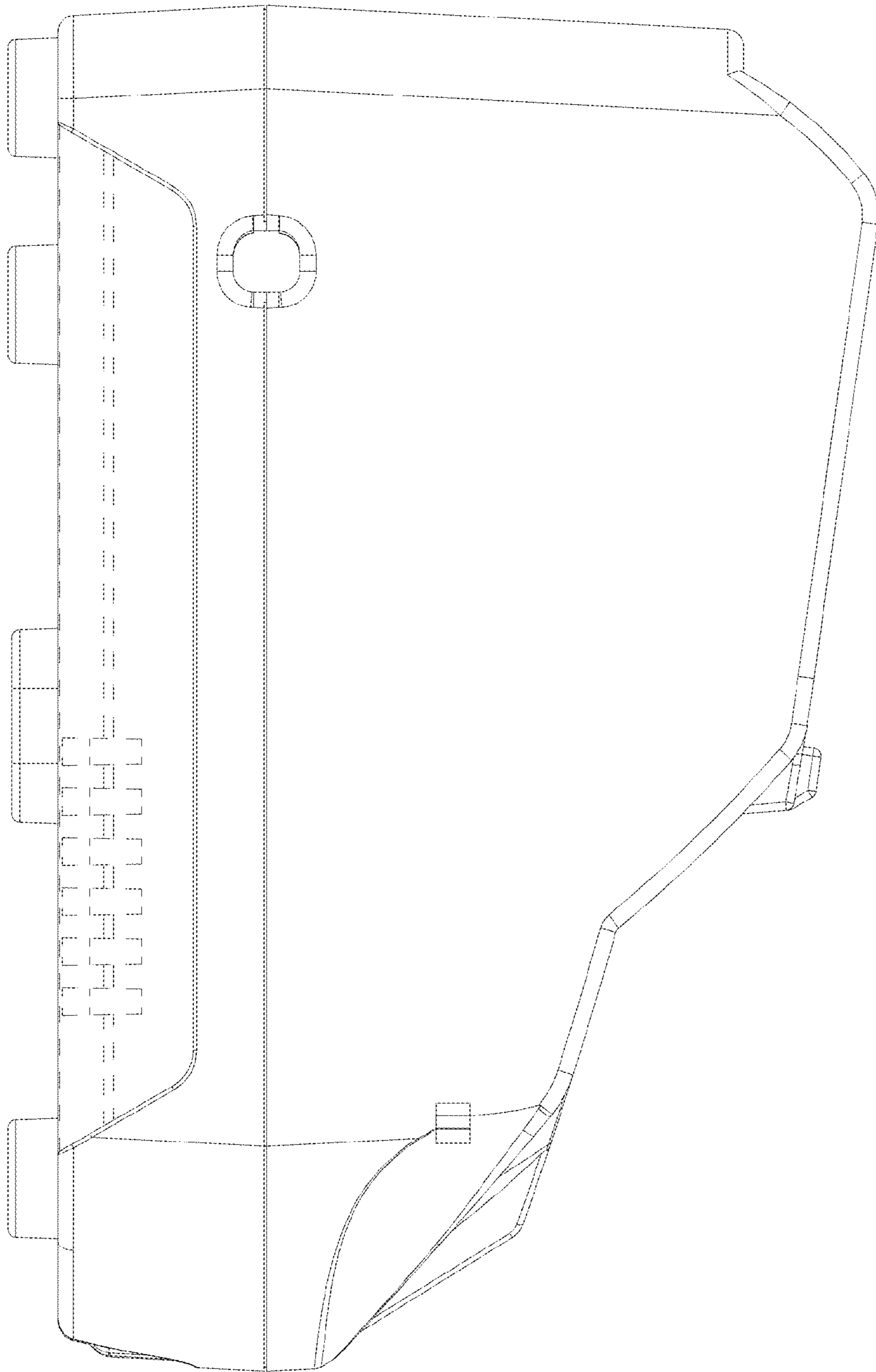


FIG. 2

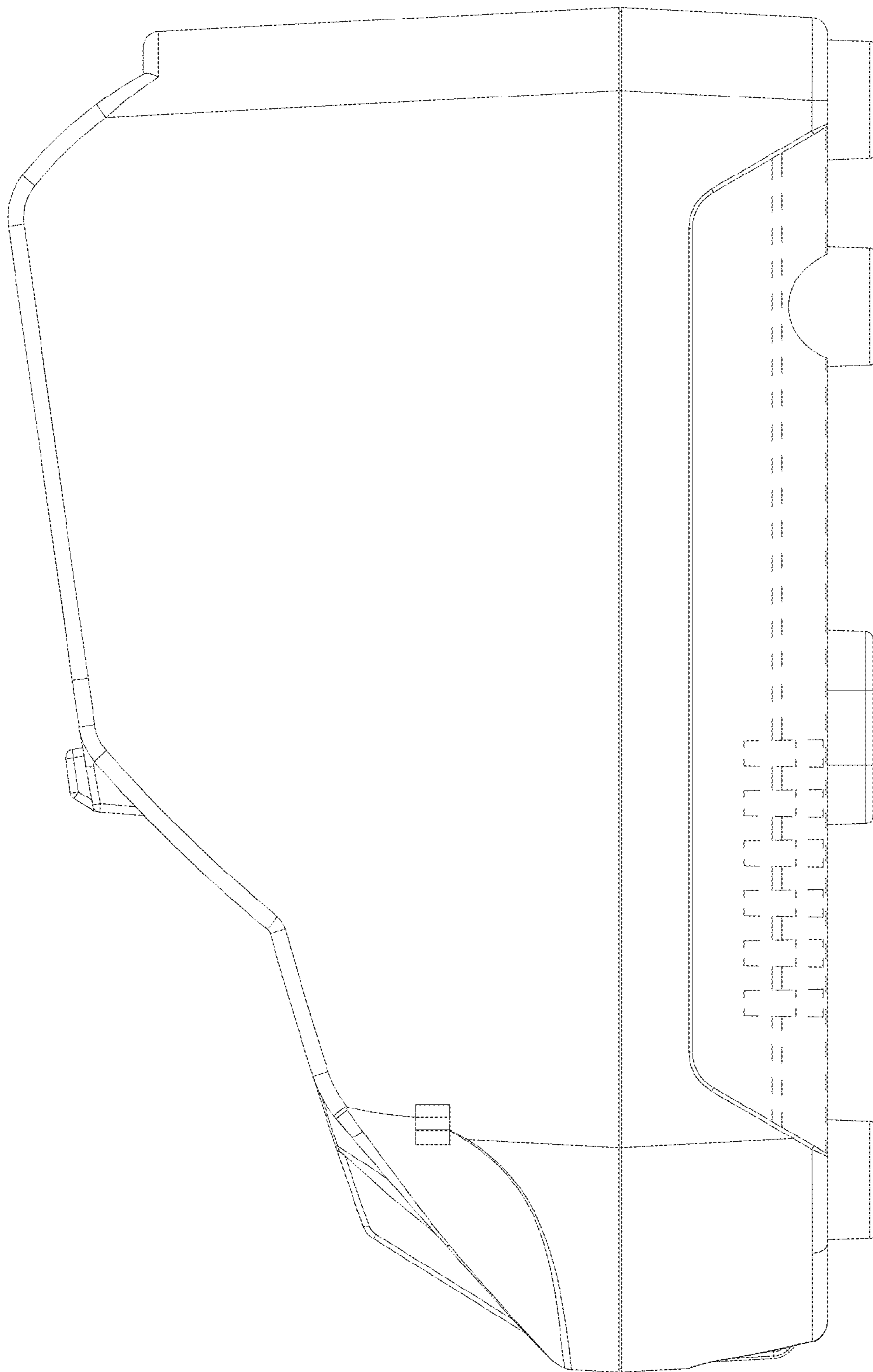


FIG. 3

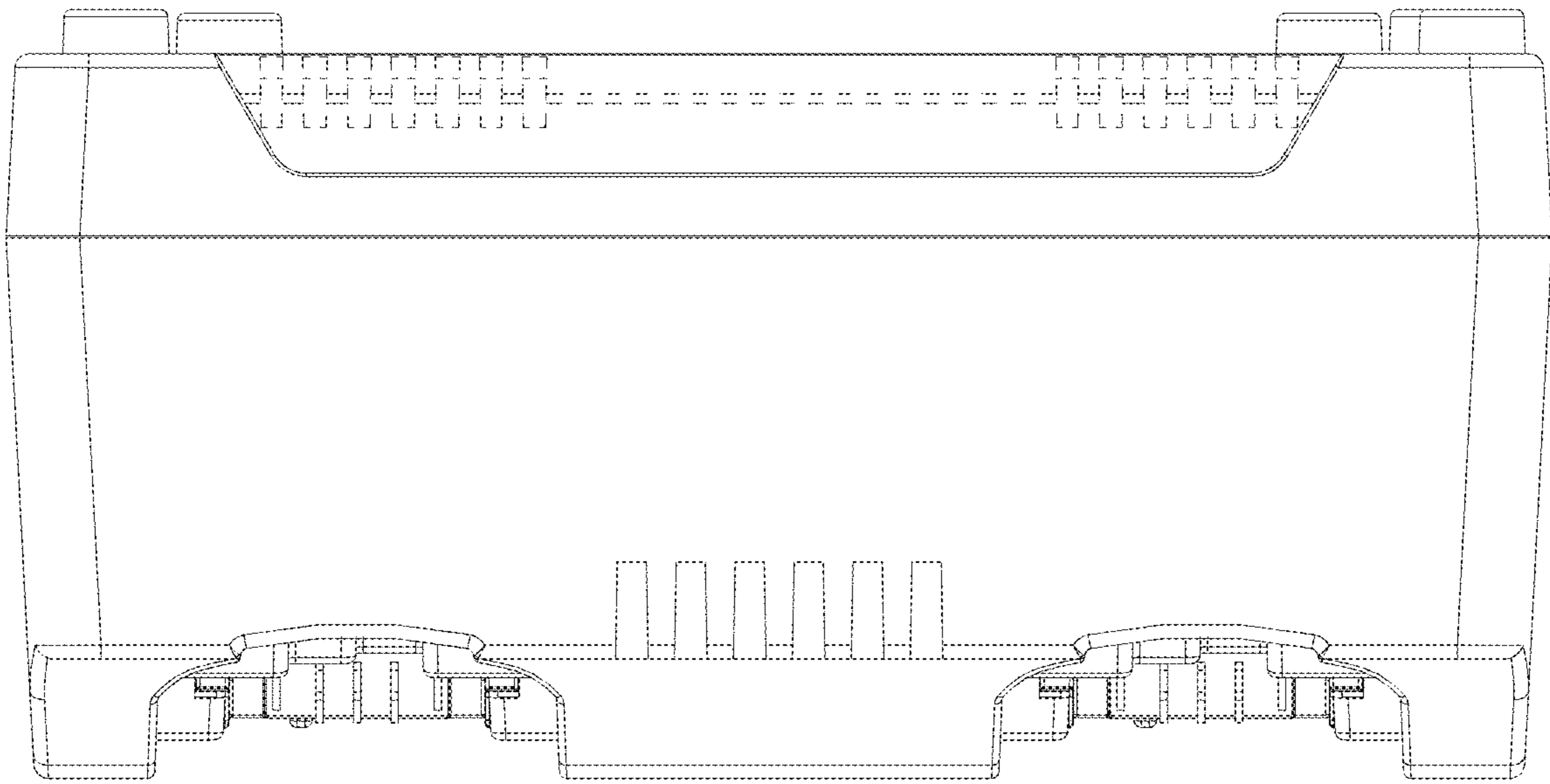


FIG. 4

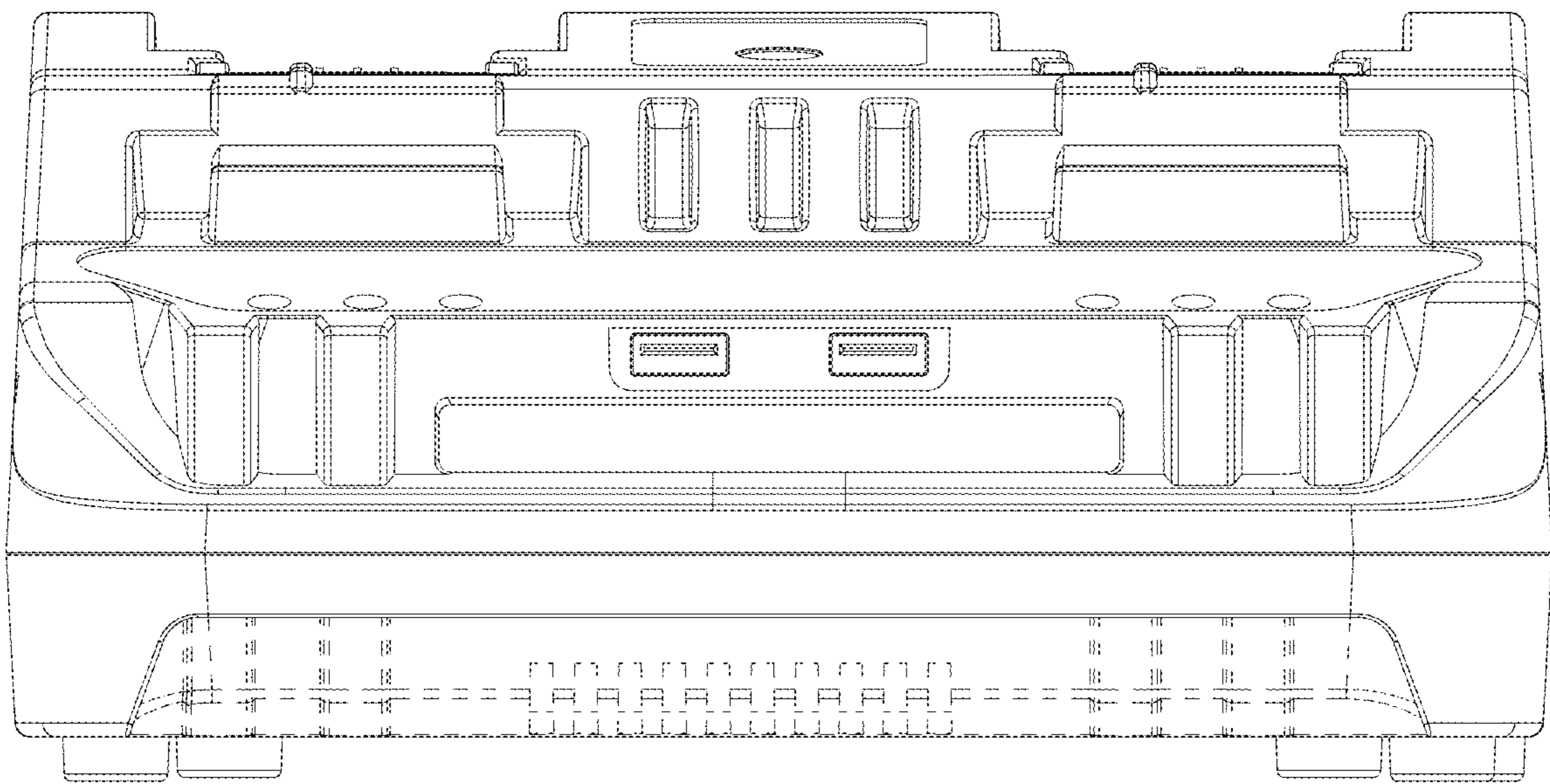


FIG. 5

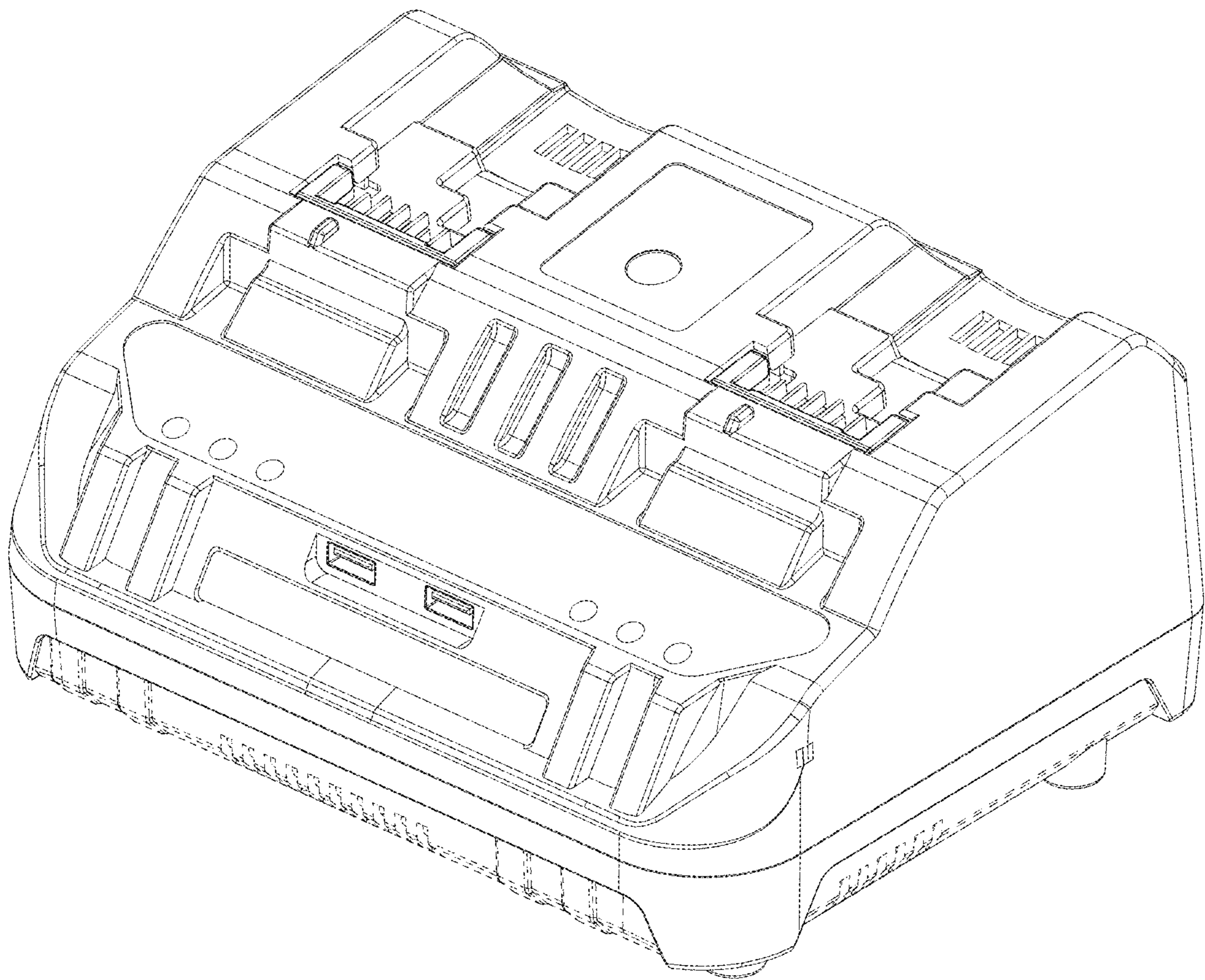


FIG. 6

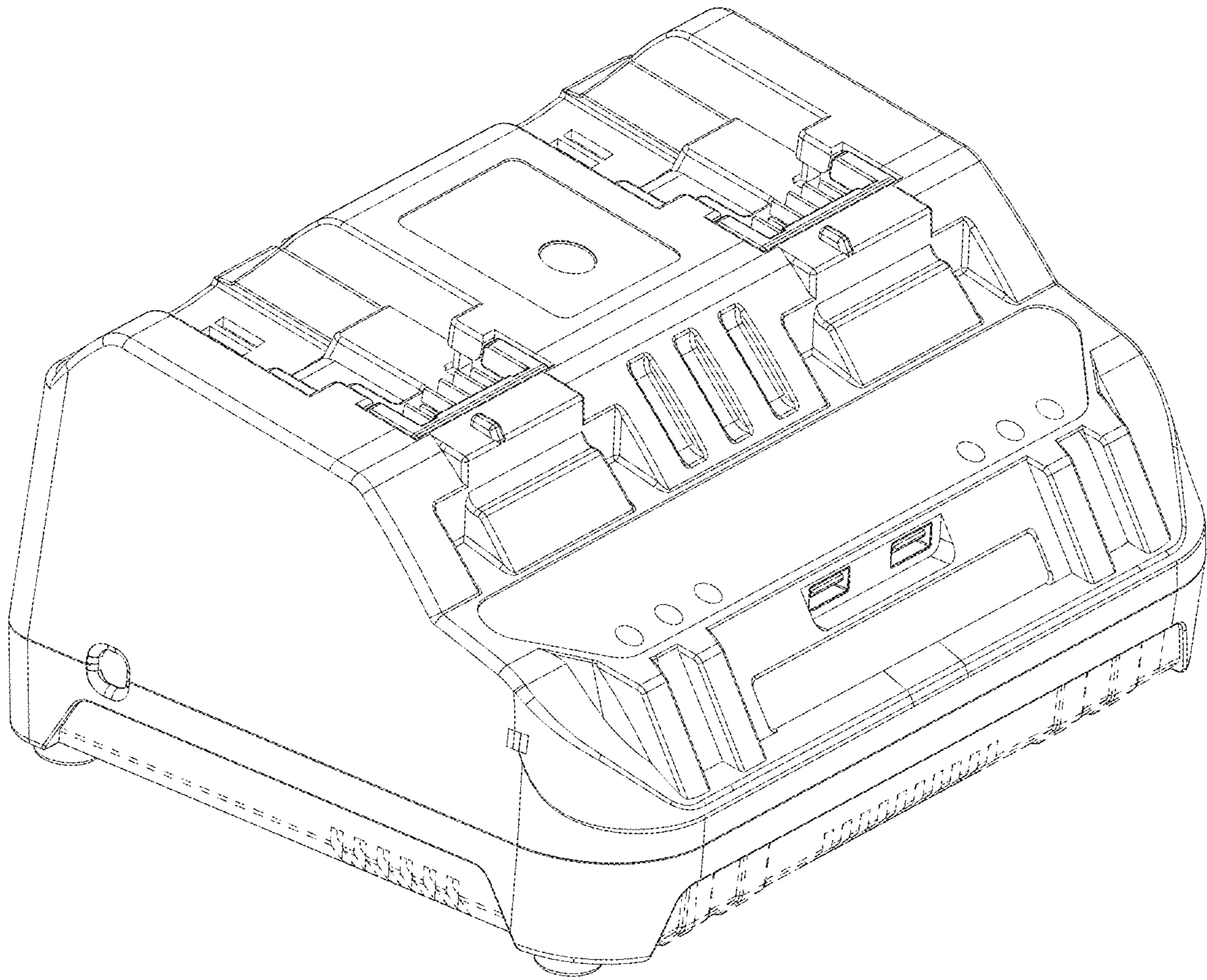


FIG. 7