



US00D986161S

(12) **United States Design Patent**
Huang et al.

(10) **Patent No.:** **US D986,161 S**

(45) **Date of Patent:** **** May 16, 2023**

- (54) **PORTABLE POWER STATION**
- (71) Applicant: **HOMGAR INTERNATIONAL INC,**
Fujian (CN)
- (72) Inventors: **Zhong Dong Huang,** Fujian (CN);
Yuyang He, Fujian (CN)
- (73) Assignee: **HOMGAR INTERNATIONAL INC,**
Fuzhou (CN)

D911,273 S *	2/2021	Sun	D13/103
D911,953 S *	3/2021	Yin	D13/103
D932,433 S *	10/2021	Tang	D13/110
D936,007 S *	11/2021	Huang	D13/110
D938,355 S *	12/2021	Xiong	D13/110
D942,932 S *	2/2022	Yin	D13/107
D942,934 S *	2/2022	Yin	D13/107
D942,940 S *	2/2022	Lai	D13/103
D944,732 S *	3/2022	Sun	D13/110
D950,490 S *	5/2022	Yu	D13/110
D953,256 S *	5/2022	Lou	D13/107
D955,329 S *	6/2022	Yu	H02J 7/0044
				D13/103
D964,276 S *	9/2022	Fang	D13/110

(**) Term: **15 Years**

(21) Appl. No.: **29/797,709**

(22) Filed: **Jul. 2, 2021**

(51) **LOC (14) Cl.** **13-02**

(52) **U.S. Cl.**
USPC **D13/110**

(58) **Field of Classification Search**
USPC D13/102, 103, 106–108, 110, 118–119,
D13/184, 199, 112, 114, 116
CPC H02J 7/0042; H02J 7/0044; H02J 7/0045;
H02J 7/0047; H02J 7/0003; H02J
7/00047; H02J 7/0013; H02J 7/0027;
H02J 1/122; H02J 7/00; B60R 16/033;
H01M 10/44; H01M 10/46
See application file for complete search history.

(56) **References Cited**

U.S. PATENT DOCUMENTS

D873,767 S *	1/2020	Rao	D13/107
D874,397 S *	2/2020	Sun	D13/107
D874,398 S *	2/2020	Sun	D13/107
D897,284 S *	9/2020	Sun	D13/103
D902,857 S *	11/2020	Jia	D13/110

* cited by examiner

Primary Examiner — Rosemary K Tarcza

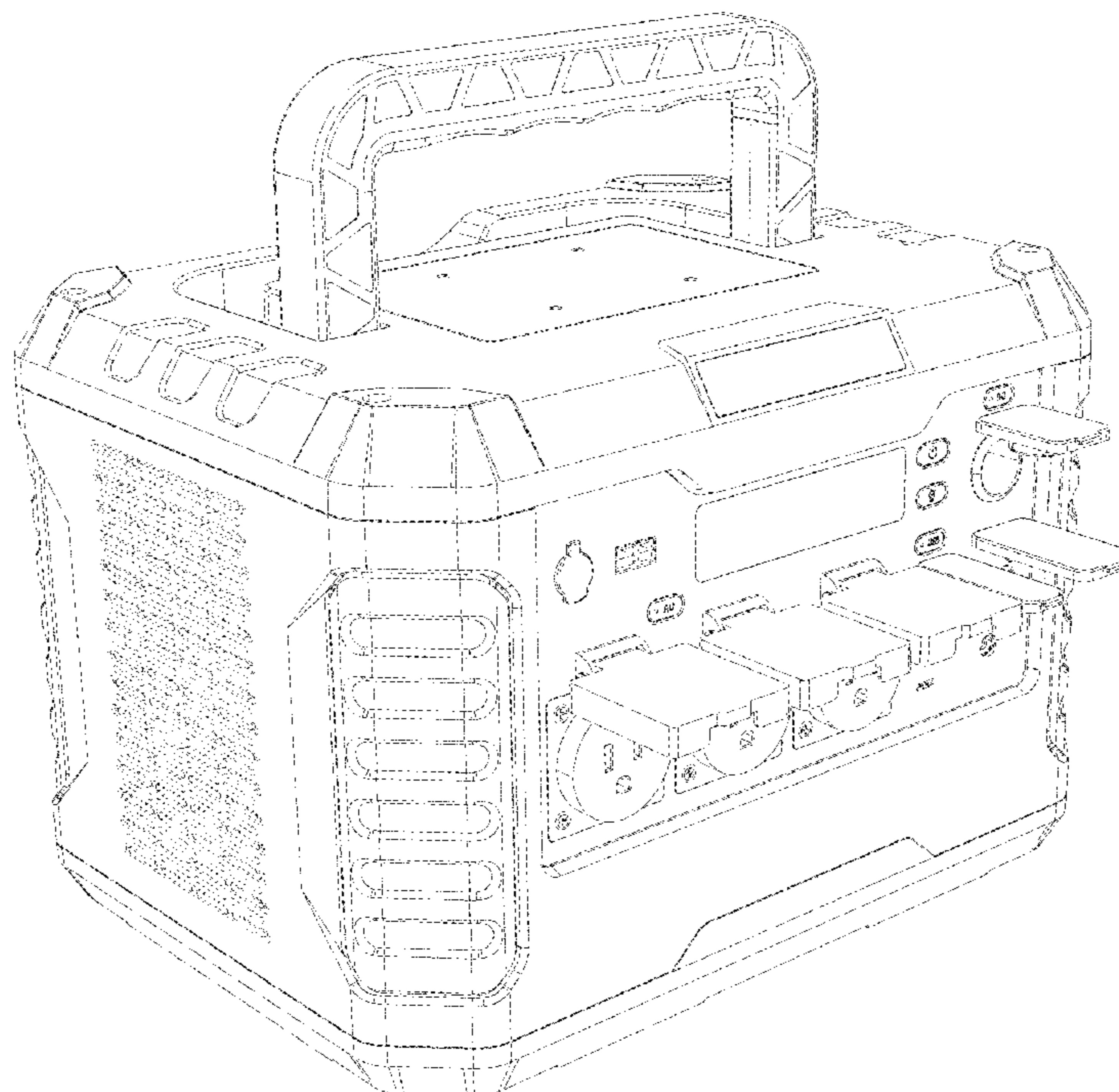
(57) **CLAIM**

The ornamental design for a portable power station, as shown and described.

DESCRIPTION

FIG. 1 is a perspective view of a portable power station showing our new design.
 FIG. 2 is a perspective view thereof when front covers are opened.
 FIG. 3 is a front elevation view thereof.
 FIG. 4 is a front elevation view thereof when front covers are opened.
 FIG. 5 is a rear elevation view thereof.
 FIG. 6 is a left elevation view thereof.
 FIG. 7 is a right elevation view thereof.
 FIG. 8 is a top plan view thereof; and,
 FIG. 9 is a bottom plan view thereof.

1 Claim, 9 Drawing Sheets



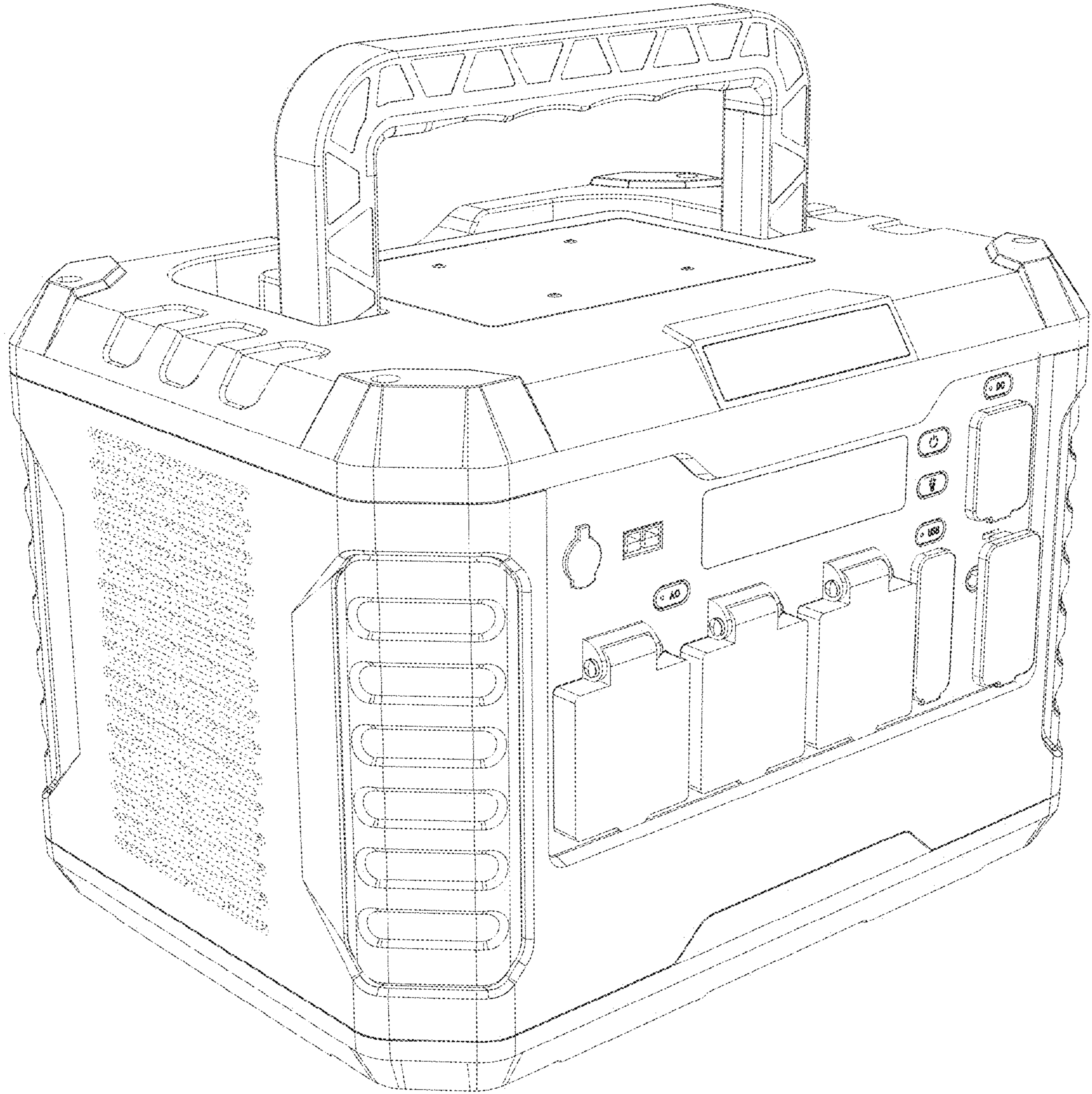


FIG. 1

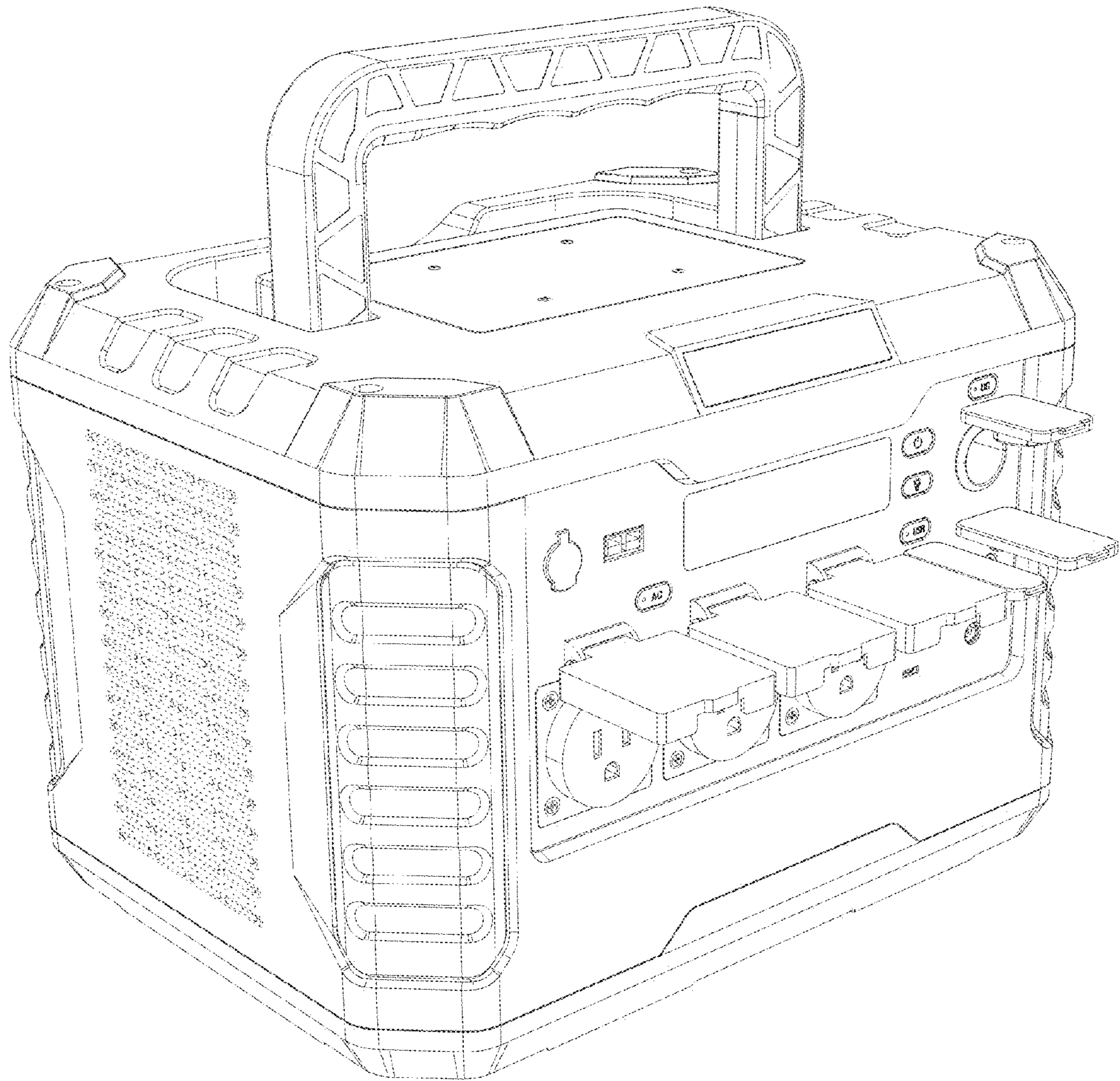


FIG. 2

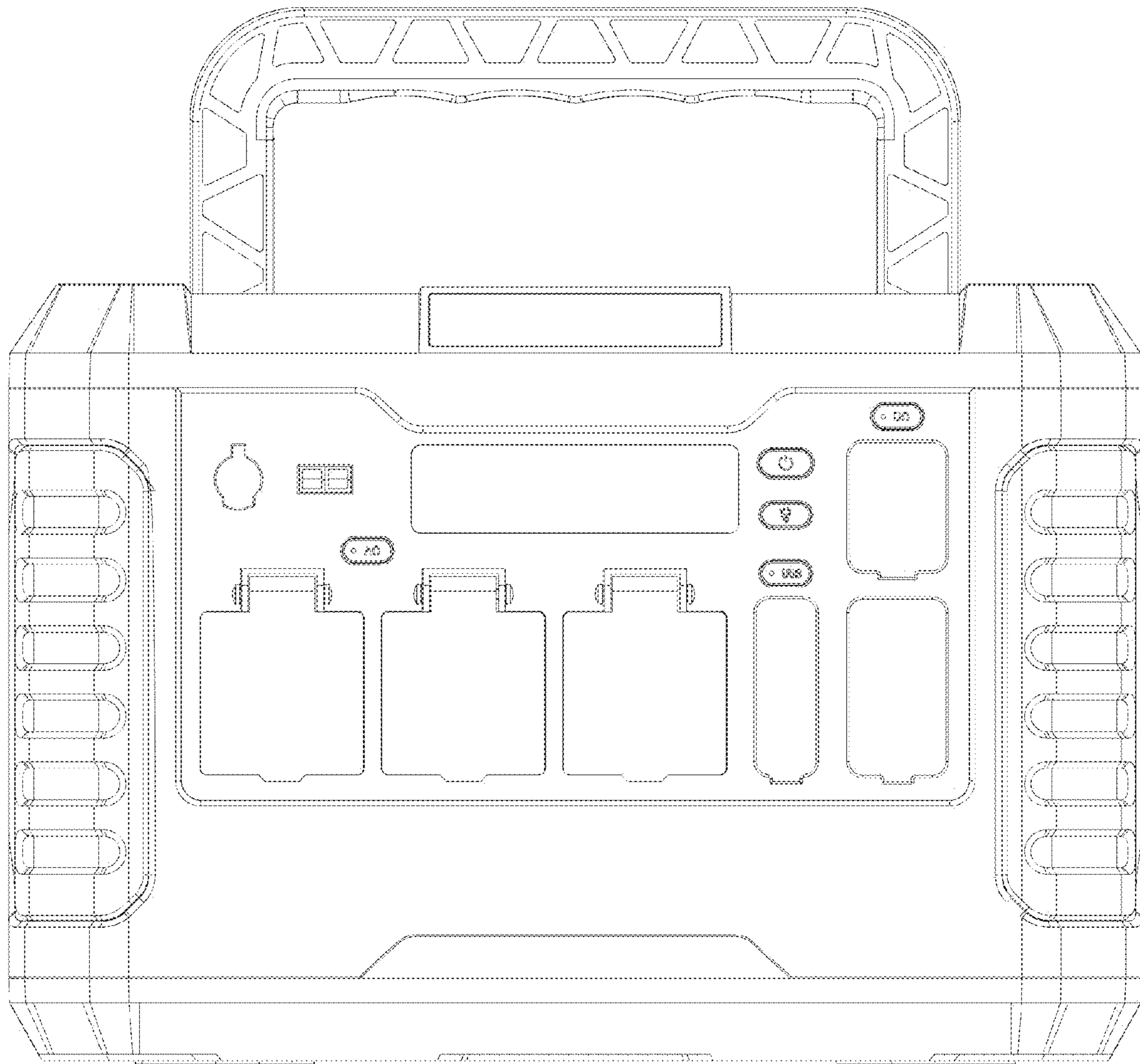


FIG. 3

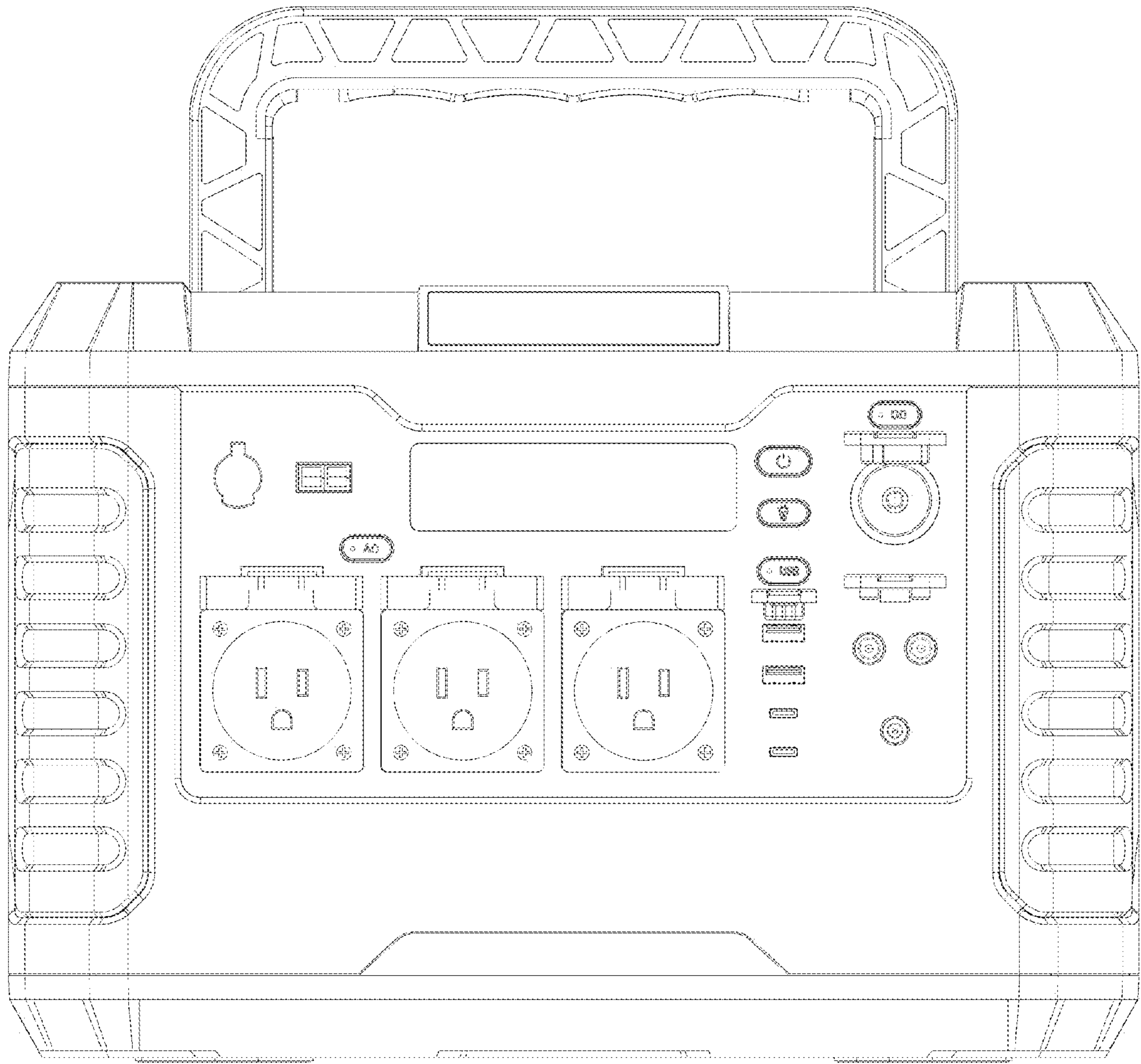


FIG. 4

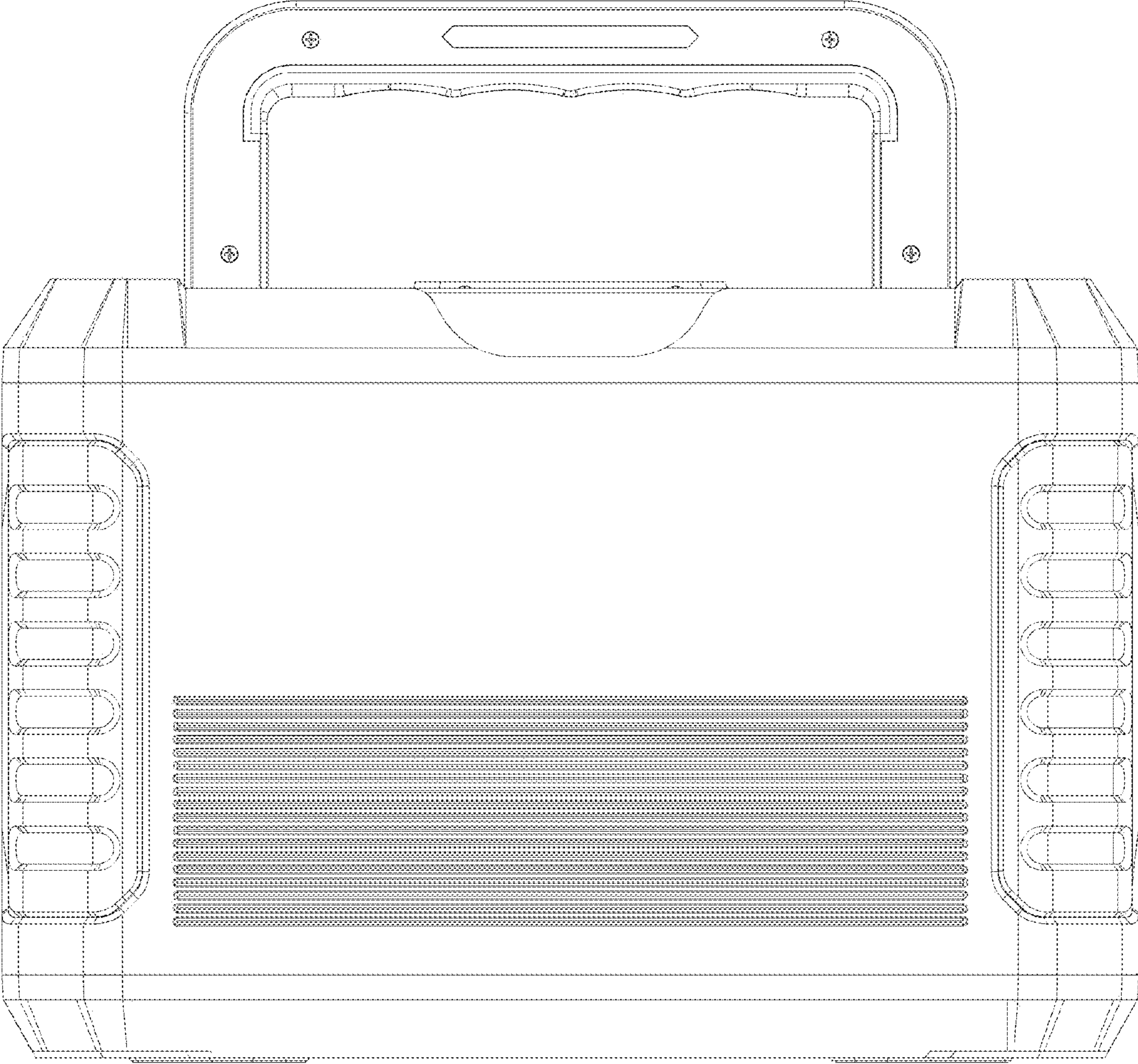


FIG. 5

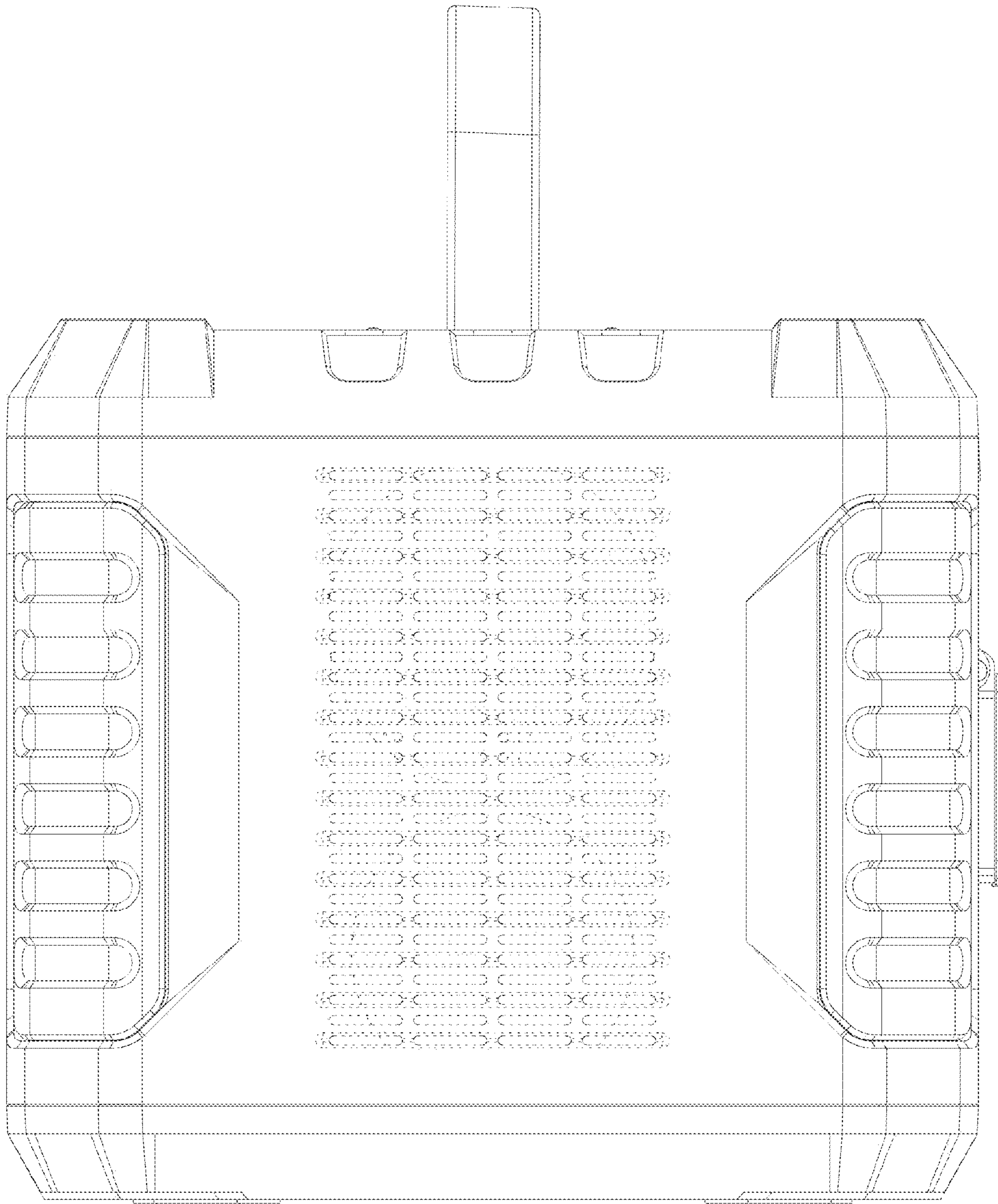


FIG. 6

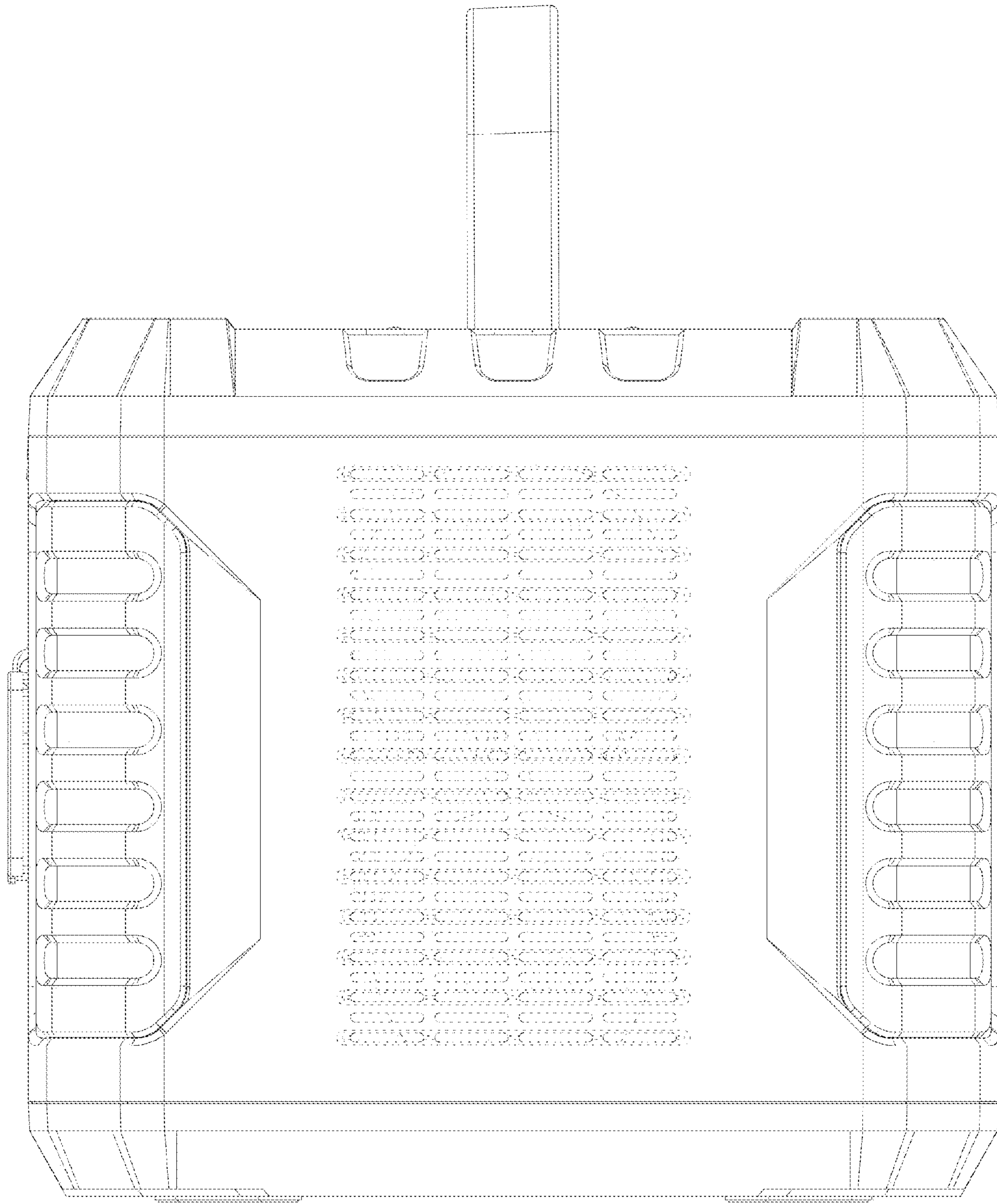


FIG. 7

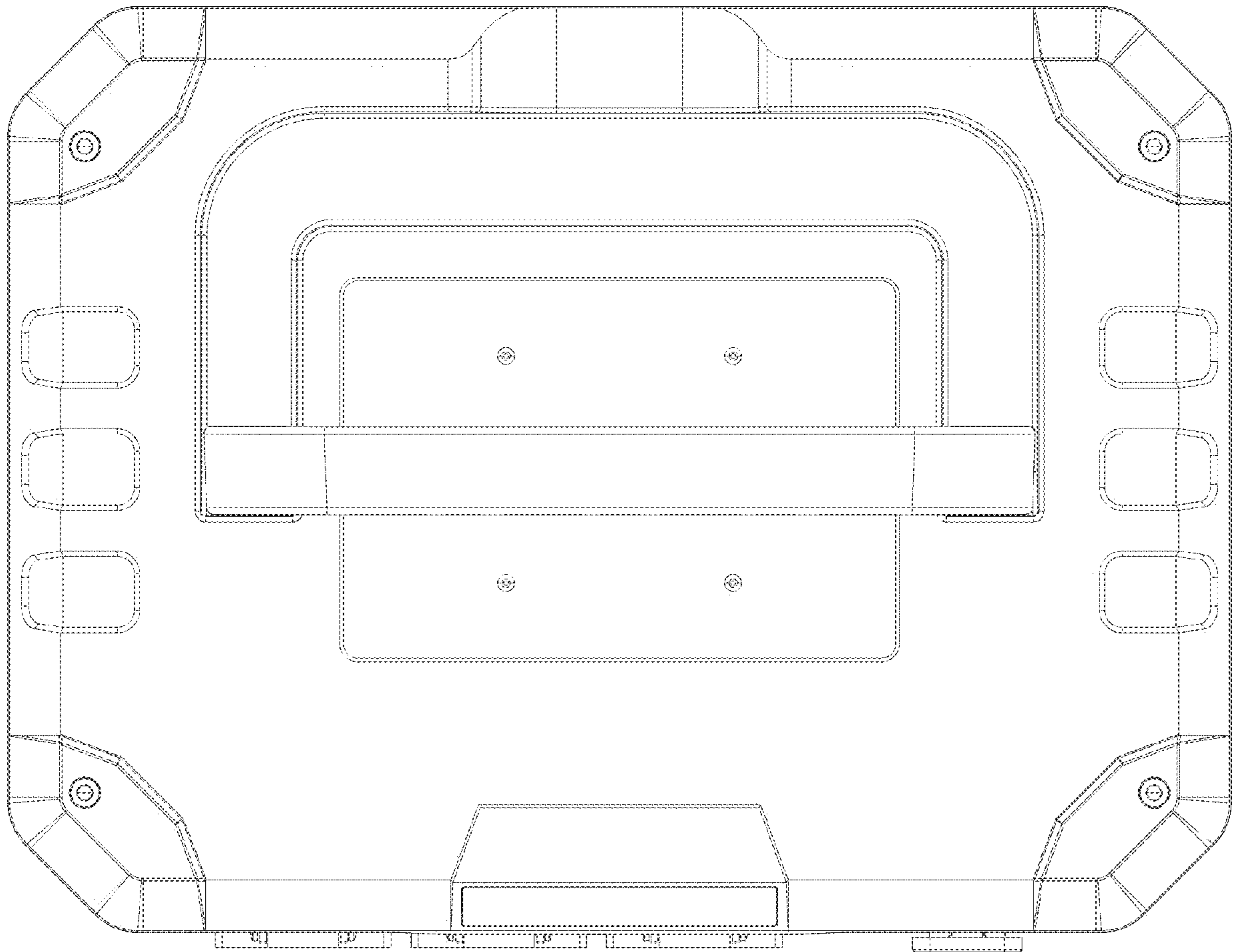


FIG. 8

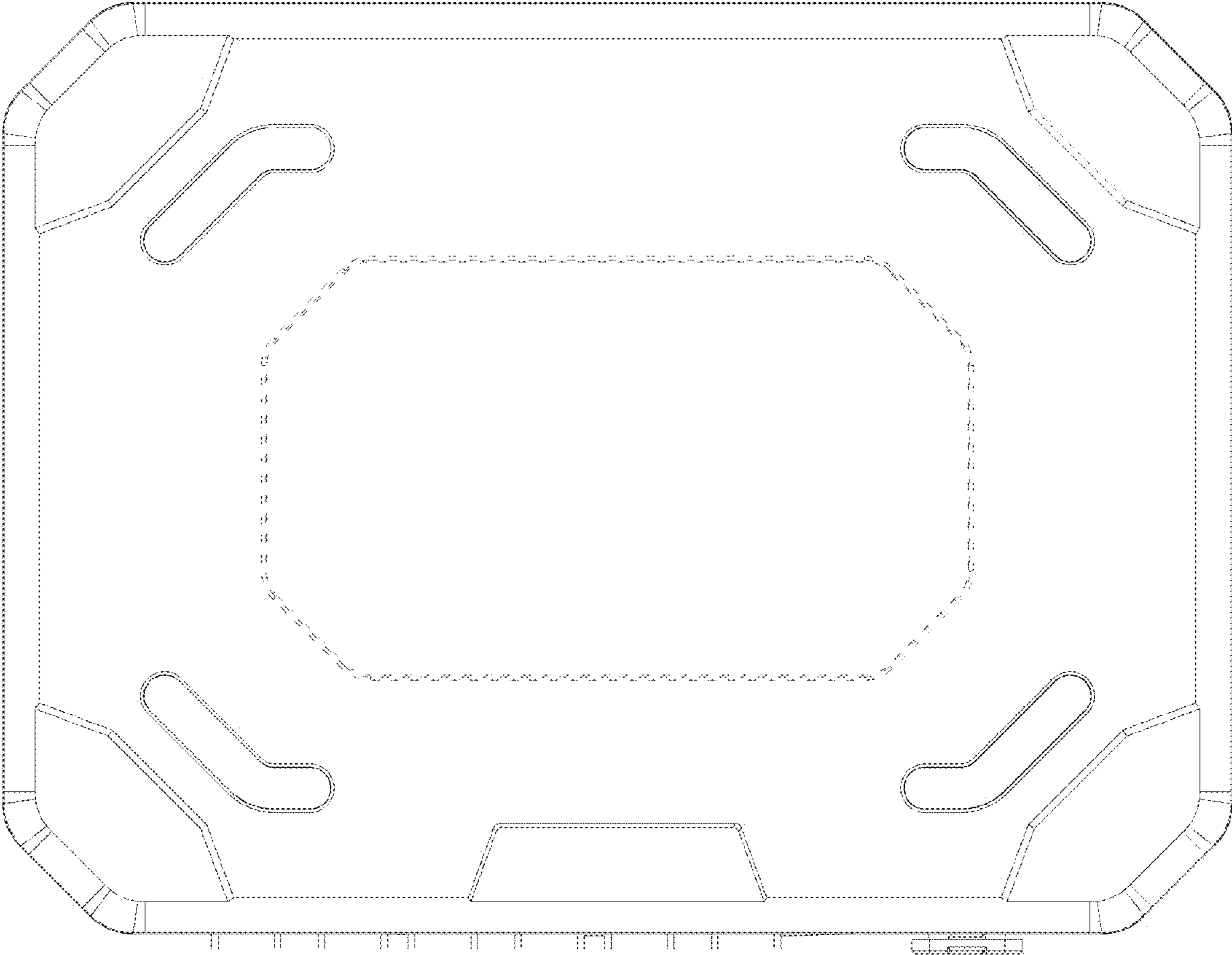


FIG. 9