



US00D986160S

(12) **United States Design Patent**
Cheng

(10) **Patent No.:** **US D986,160 S**

(45) **Date of Patent:** **** May 16, 2023**

- (54) **ENERGY STORAGE DEVICE**
- (71) Applicant: **Yu Chun Cheng**, Taipei (TW)
- (72) Inventor: **Yu Chun Cheng**, Taipei (TW)
- (**) Term: **15 Years**
- (21) Appl. No.: **29/795,361**
- (22) Filed: **Jun. 17, 2021**
- (51) **LOC (14) Cl.** **13-02**
- (52) **U.S. Cl.**
USPC **D13/103; D13/108**
- (58) **Field of Classification Search**
USPC **D13/102-110, 118-119, 184, 199;**
D14/356, 432
CPC **Y02E 60/10; Y02E 60/50; H01M 10/44;**
H01M 10/46; H01M 10/465; H01M
10/482; H01M 2200/30; H01M 2250/30;
H01M 2250/40; H02J 7/00; H02J 7/0003;
H02J 7/0013; H04M 1/0283; H04B
1/3888; A45C 2011/002
See application file for complete search history.

D884,599 S *	5/2020	Hung	D13/103
D897,283 S *	9/2020	Sun	D13/103
D920,234 S *	5/2021	Ishida	D13/108
D934,797 S *	11/2021	Su	D13/103
D937,207 S *	11/2021	Zhen	D13/103
D939,434 S *	12/2021	Tang	D13/103
D940,068 S *	1/2022	Mao	D13/103
D942,933 S *	2/2022	Yin	D13/107
D949,098 S *	4/2022	Wang	D13/116
D967,767 S *	10/2022	Jia	D13/110

* cited by examiner

Primary Examiner — Nathaniel D. Buckner
(74) *Attorney, Agent, or Firm* — Che-Yang Chen; Law Office of Michael Chen

(57) **CLAIM**

The ornamental design for an energy storage device, as shown and described.

DESCRIPTION

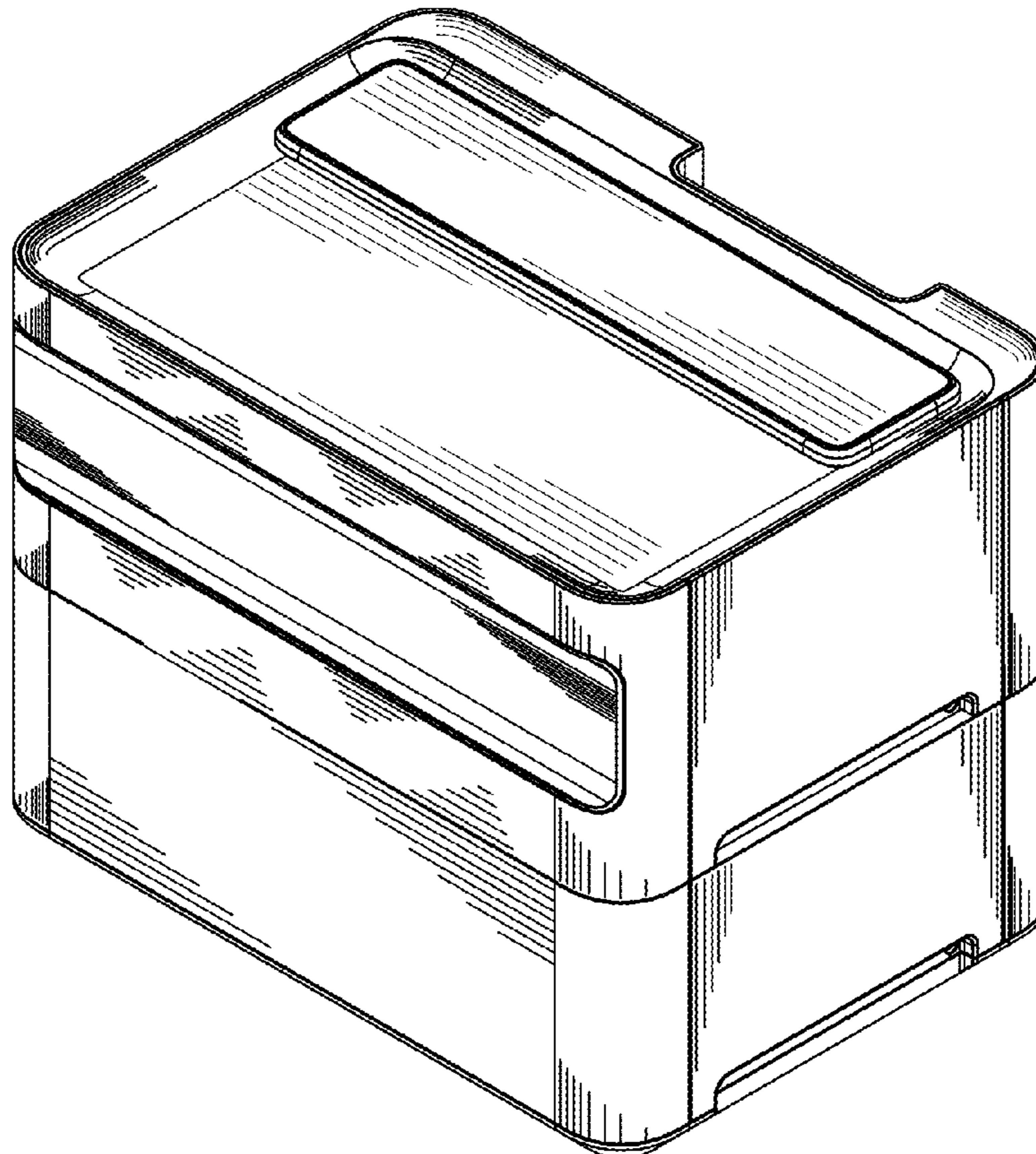
FIG. 1 is a perspective view of an energy storage device showing my new design;
FIG. 2 is a front elevational view thereof;
FIG. 3 is a rear elevational view thereof;
FIG. 4 is a left side elevational view thereof;
FIG. 5 is a right side elevational view thereof;
FIG. 6 is a top plan view thereof; and,
FIG. 7 is a bottom plan view thereof.

1 Claim, 7 Drawing Sheets

(56) **References Cited**

U.S. PATENT DOCUMENTS

D664,499 S *	7/2012	Workman	D13/107
D837,149 S *	1/2019	Yin	D13/103
D874,395 S *	2/2020	Sun	D13/106



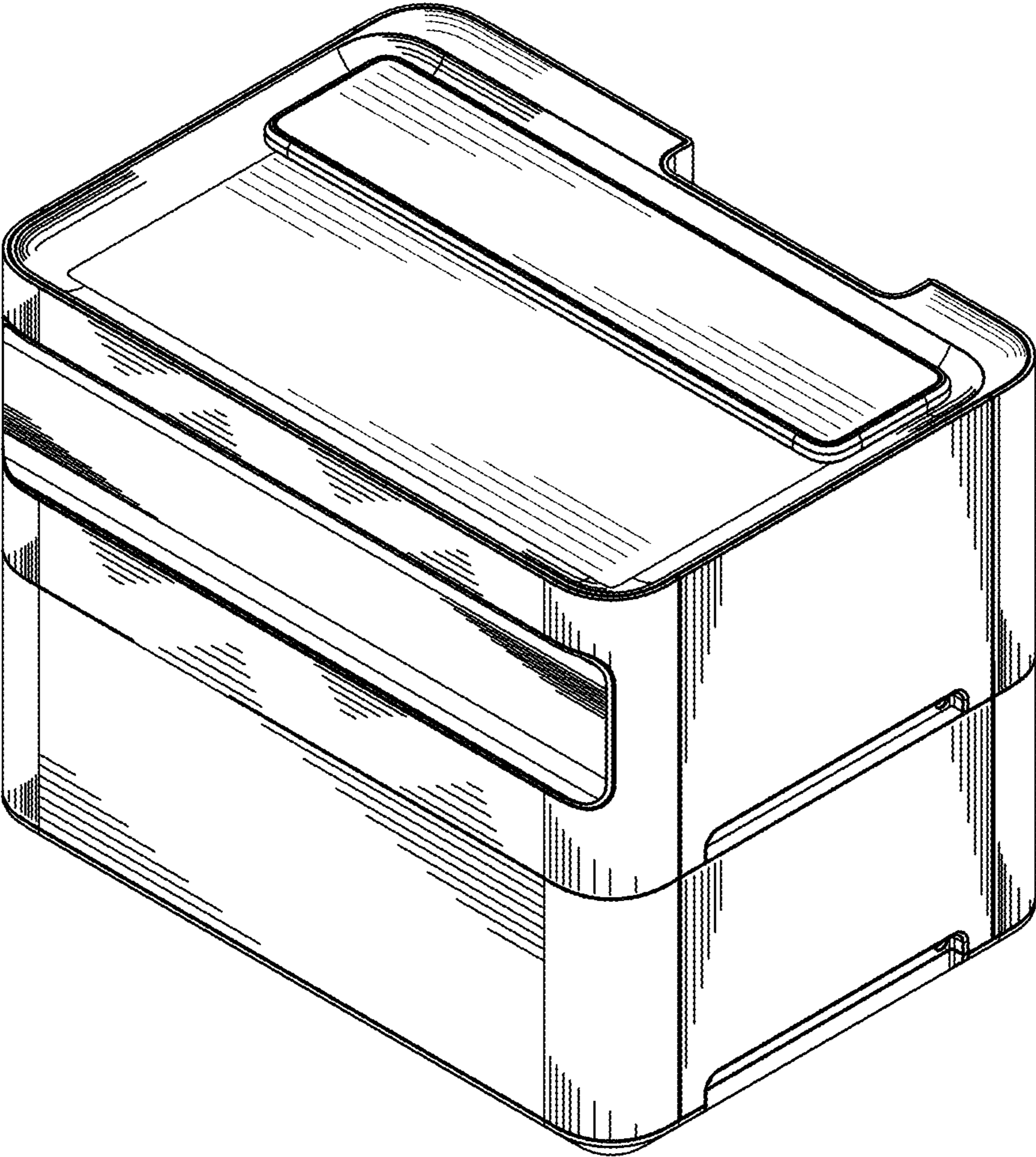


FIG. 1

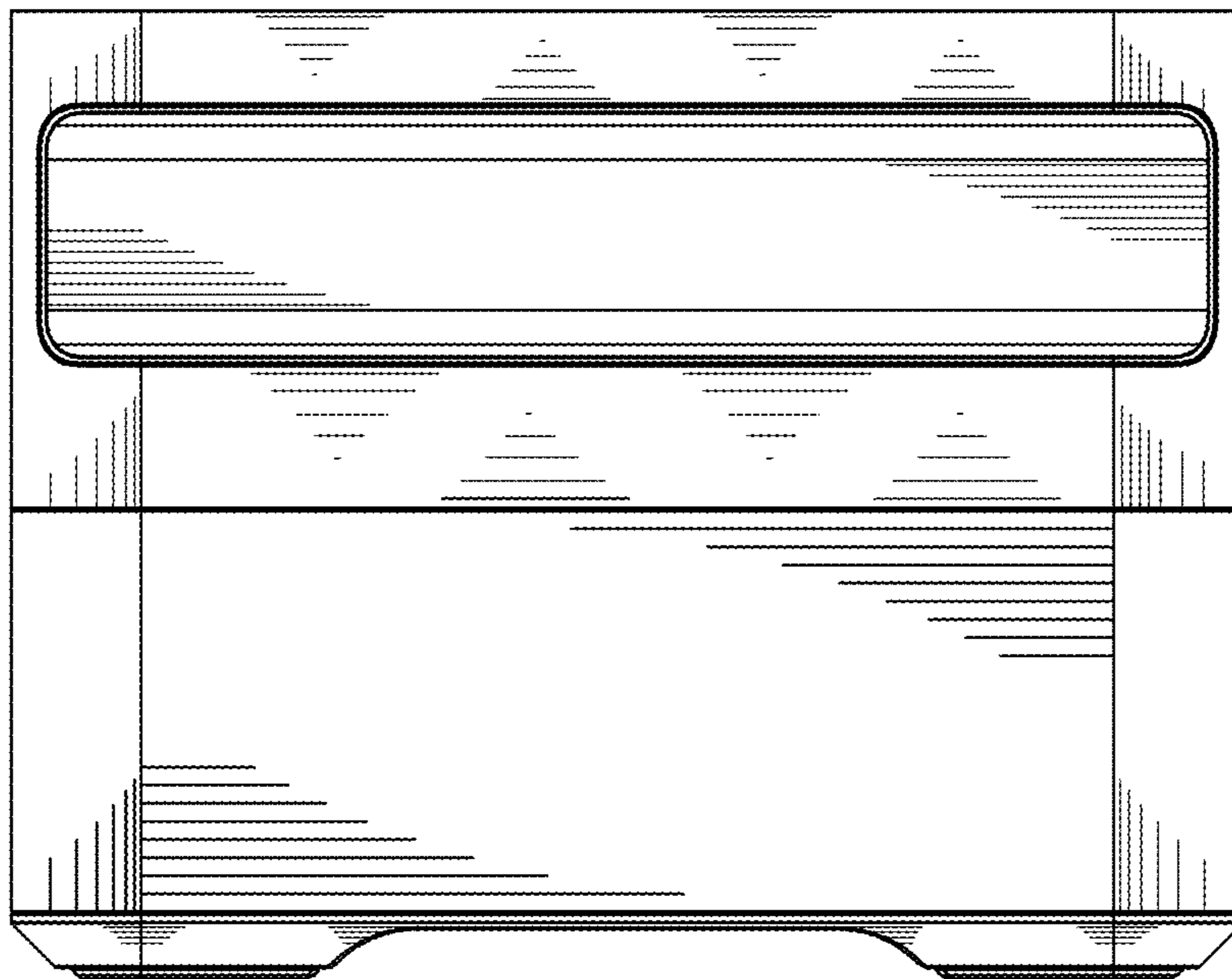


FIG. 2

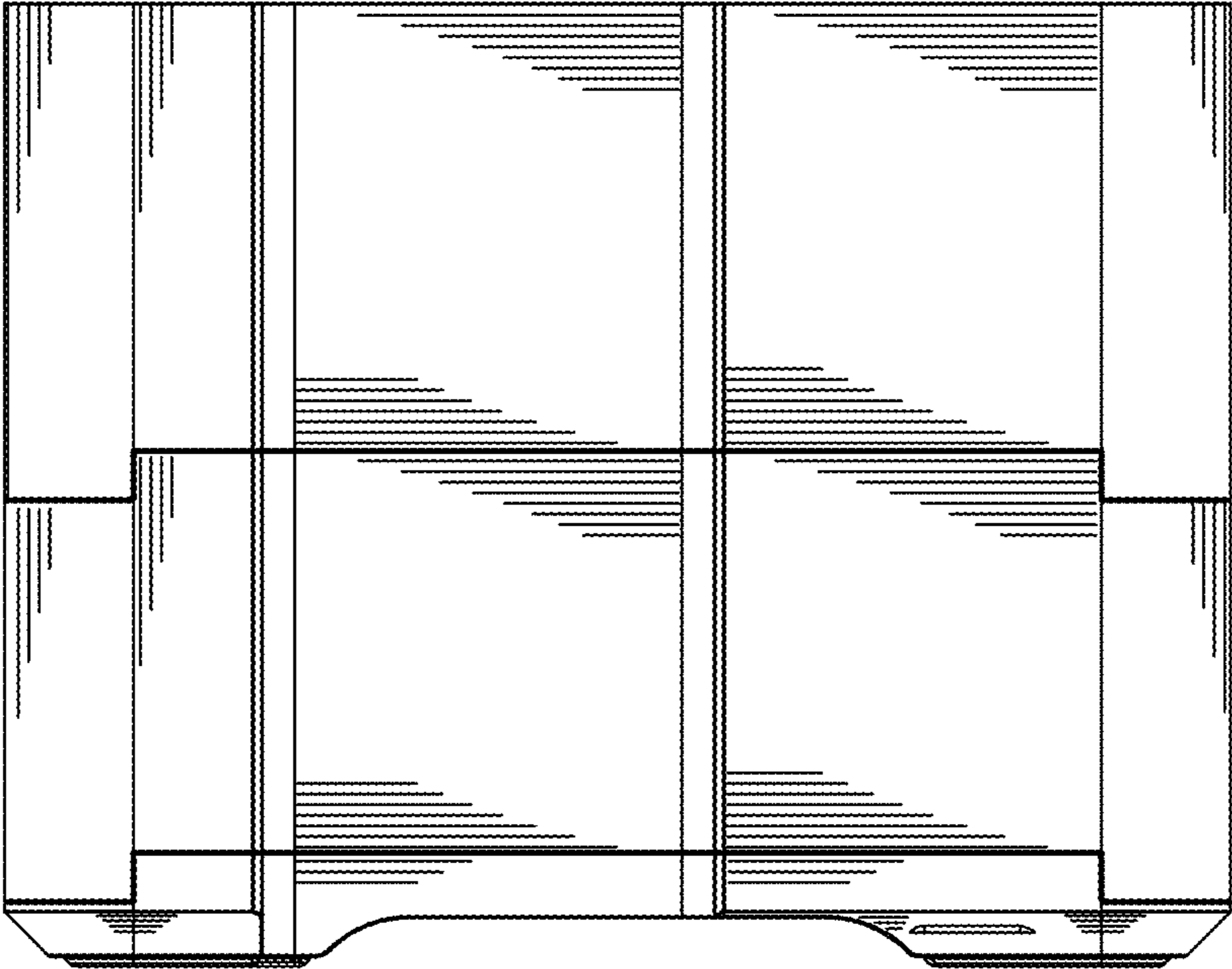


FIG.3

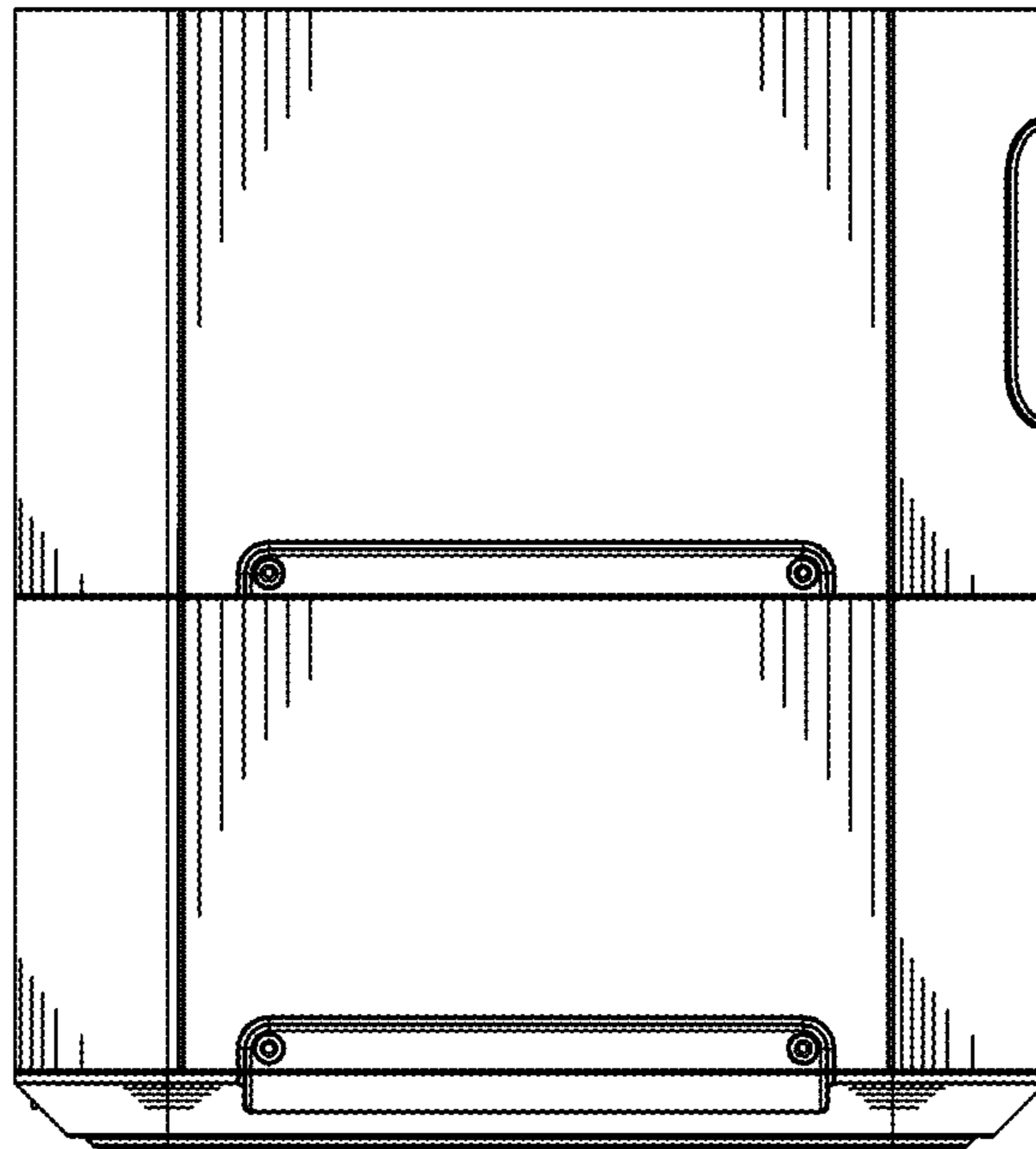


FIG. 4

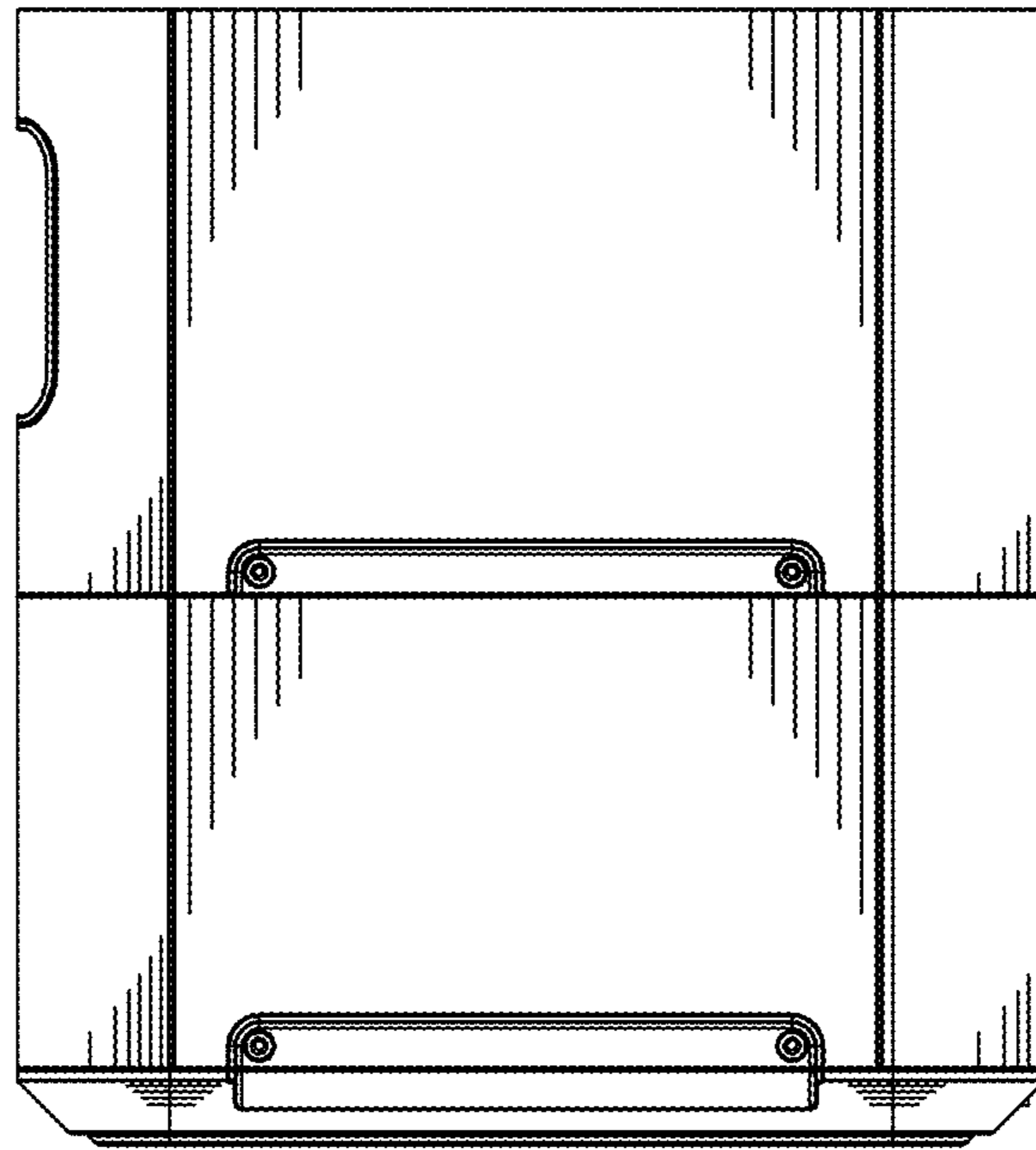


FIG. 5

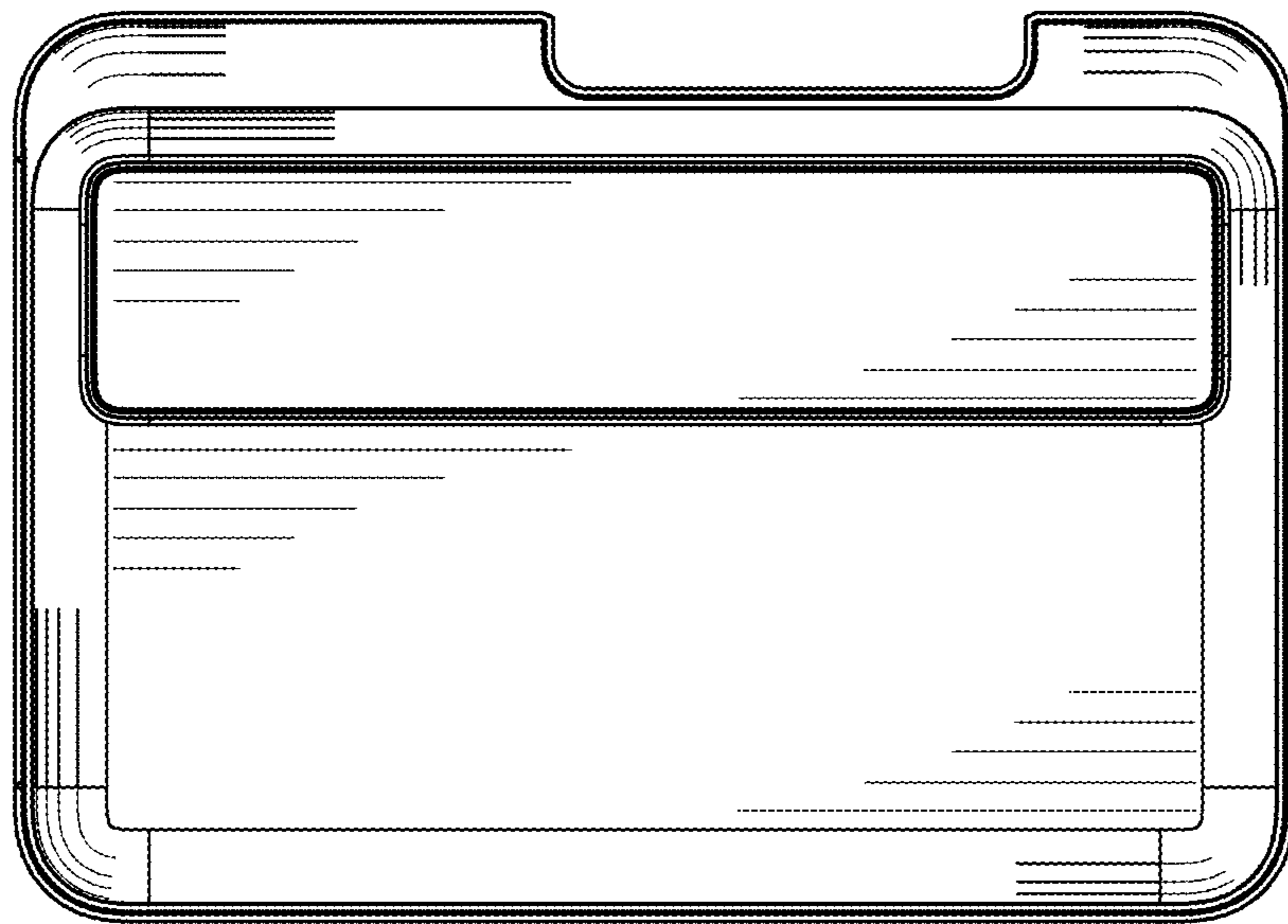


FIG. 6

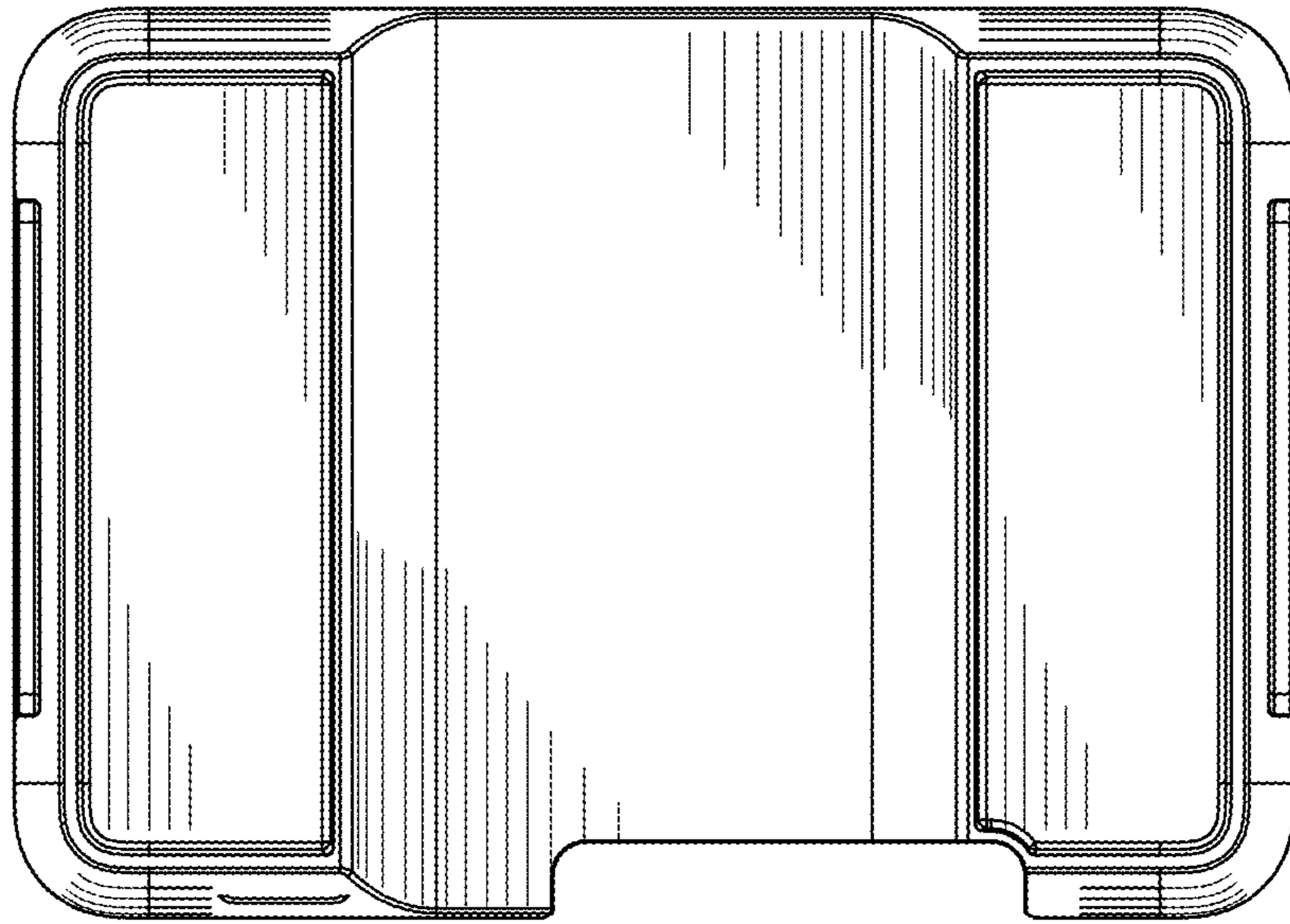


FIG. 7