



US00D986159S

(12) **United States Design Patent**  
**Song**

(10) **Patent No.:** **US D986,159 S**

(45) **Date of Patent:** **\*\* May 16, 2023**

- (54) **BATTERY PACK**
- (71) Applicant: **Keyong Song**, Zhejiang (CN)
- (72) Inventor: **Keyong Song**, Zhejiang (CN)
- (\*\*) Term: **15 Years**
- (21) Appl. No.: **29/774,504**
- (22) Filed: **Mar. 17, 2021**

D909,291	S	*	2/2021	Lucas	.....	D13/103
D912,616	S	*	3/2021	He	.....	D13/103
D913,232	S	*	3/2021	Koval	.....	D13/119
D929,333	S	*	8/2021	Benjakachorndech	.....	H02J 7/0045
						D13/119
D933,590	S	*	10/2021	Wu	.....	D13/103
D942,948	S	*	2/2022	Song	.....	D13/119
D964,934	S	*	9/2022	Wan	.....	D13/119
2021/0036275	A1	*	2/2021	Anderson	.....	H01M 50/247

(30) **Foreign Application Priority Data**

Feb. 3, 2021 (CN) ..... 202130079833.2

(51) **LOC (14) Cl.** ..... **13-02**

(52) **U.S. Cl.**  
USPC ..... **D13/103**

(58) **Field of Classification Search**  
 USPC ..... D13/103, 107, 108, 110, 118, 119, 184,  
                   D13/199; D14/251, 253, 432, 434  
 CPC ..... H02J 7/00; H02J 7/0003; H02J 7/0013;  
                   H02J 7/0027; H02J 7/0042; H02J 7/0045;  
                   H02J 7/0054; H02J 7/025; H02J 3/008;  
                   H02J 3/32; H02J 50/10; H02J 50/12;  
                   B60R 16/03; H01R 13/6675; H01M  
                   10/44; H01M 10/46; H01M 10/425;  
                   Y02T 90/14; Y02T 90/122; Y02T 90/128;  
                   Y02T 90/168  
 See application file for complete search history.

(56) **References Cited**

**U.S. PATENT DOCUMENTS**

D312,244	S	*	11/1990	Collins	.....	D13/184
D777,104	S	*	1/2017	Liu	.....	D13/119
D821,968	S	*	7/2018	Zhao	.....	D13/103
D825,465	S	*	8/2018	Deng	.....	D13/119
D837,147	S	*	1/2019	Baxter	.....	D13/103
D861,605	S	*	10/2019	Yang	.....	D13/119
D881,812	S	*	4/2020	Yang	.....	D13/103
D886,045	S	*	6/2020	Deng	.....	D13/103
D886,738	S	*	6/2020	Huang	.....	D13/119

**OTHER PUBLICATIONS**

Battery Operated Copper Wire, customer review oldest date Apr. 13, 2018[online], [site visited Nov. 23, 2022], Available from the internet URL: <https://www.amazon.com/Product-Battery-Operated-Outdoor-20-Foot/dp/B06XNPLJLB> (Year: 2018).\*

\* cited by examiner

*Primary Examiner* — S. Bryan Reinholdt, Jr.  
*Assistant Examiner* — Leah E Hoeferkamp

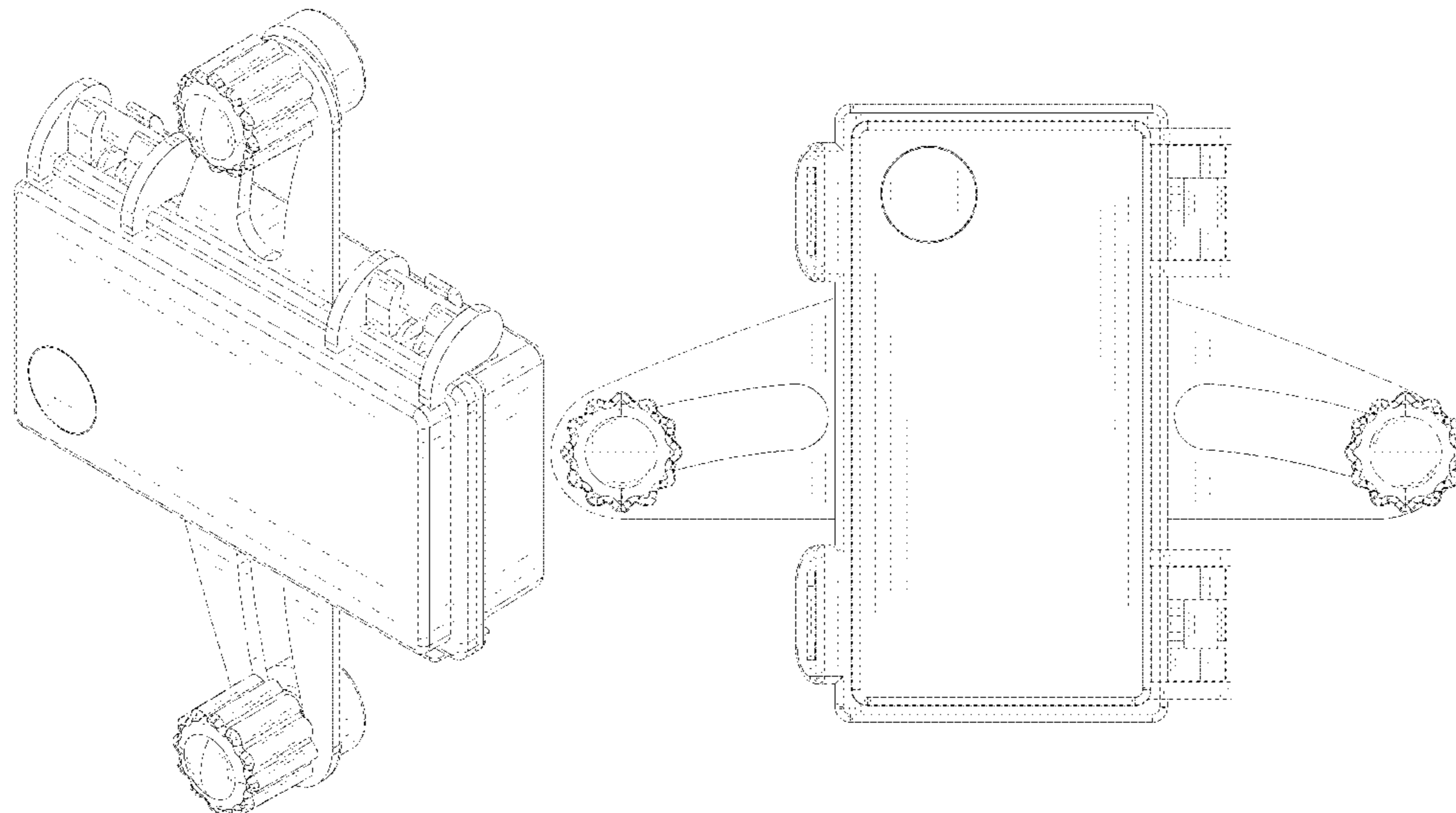
(57) **CLAIM**

The ornamental design for a battery pack, as shown and described.

**DESCRIPTION**

FIG. 1 is a perspective view of a battery pack showing my new design;  
 FIG. 2 is another perspective view thereof;  
 FIG. 3 is a front view thereof;  
 FIG. 4 is a back view thereof;  
 FIG. 5 is a left view thereof;  
 FIG. 6 is a right view thereof;  
 FIG. 7 is a top view thereof; and,  
 FIG. 8 is a bottom view thereof.  
 The broken lines and the unshaded areas adjacent to them in the drawings depict portions of the battery pack that form no part of the claimed design.

**1 Claim, 8 Drawing Sheets**



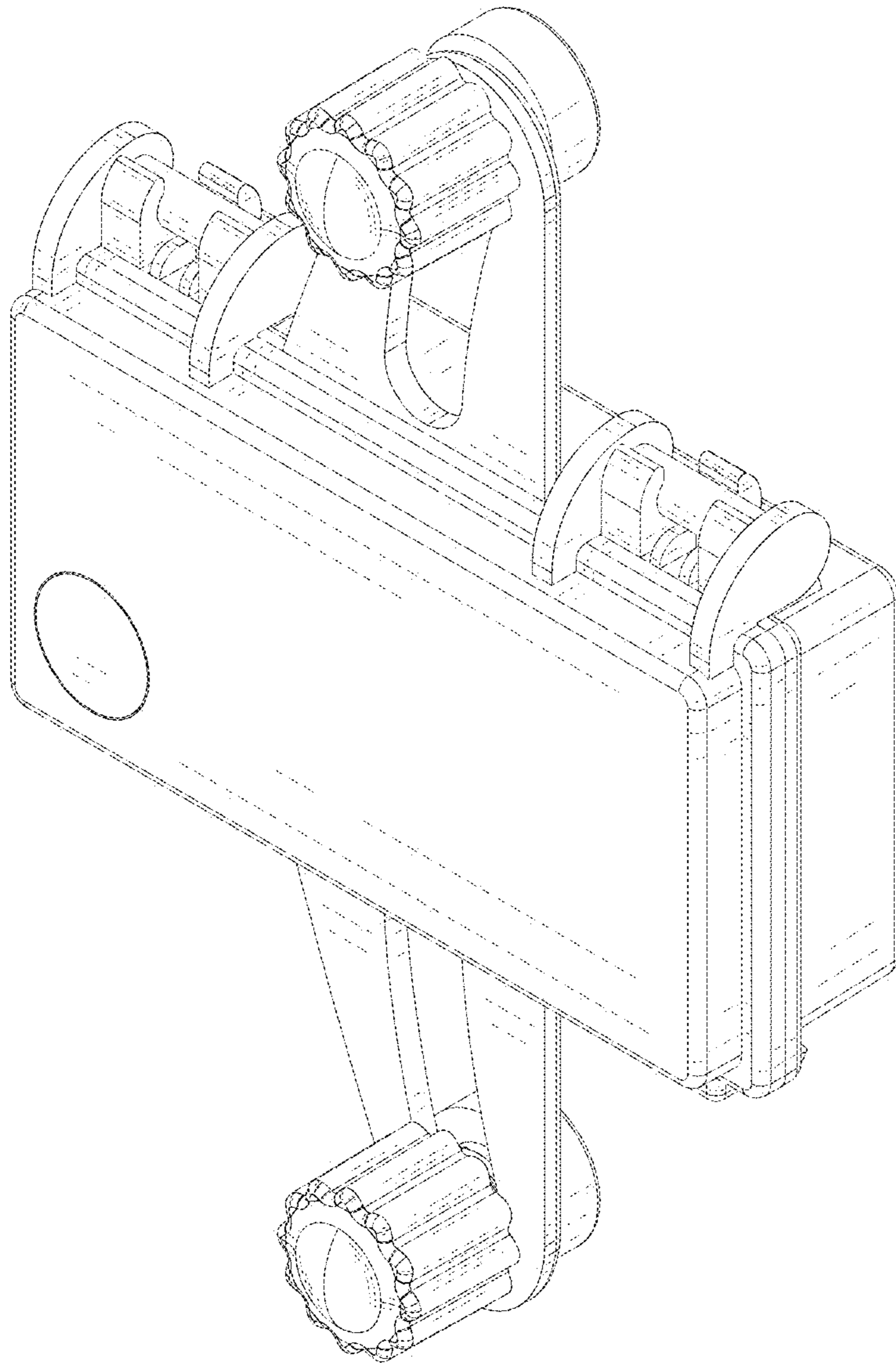


FIG. 1

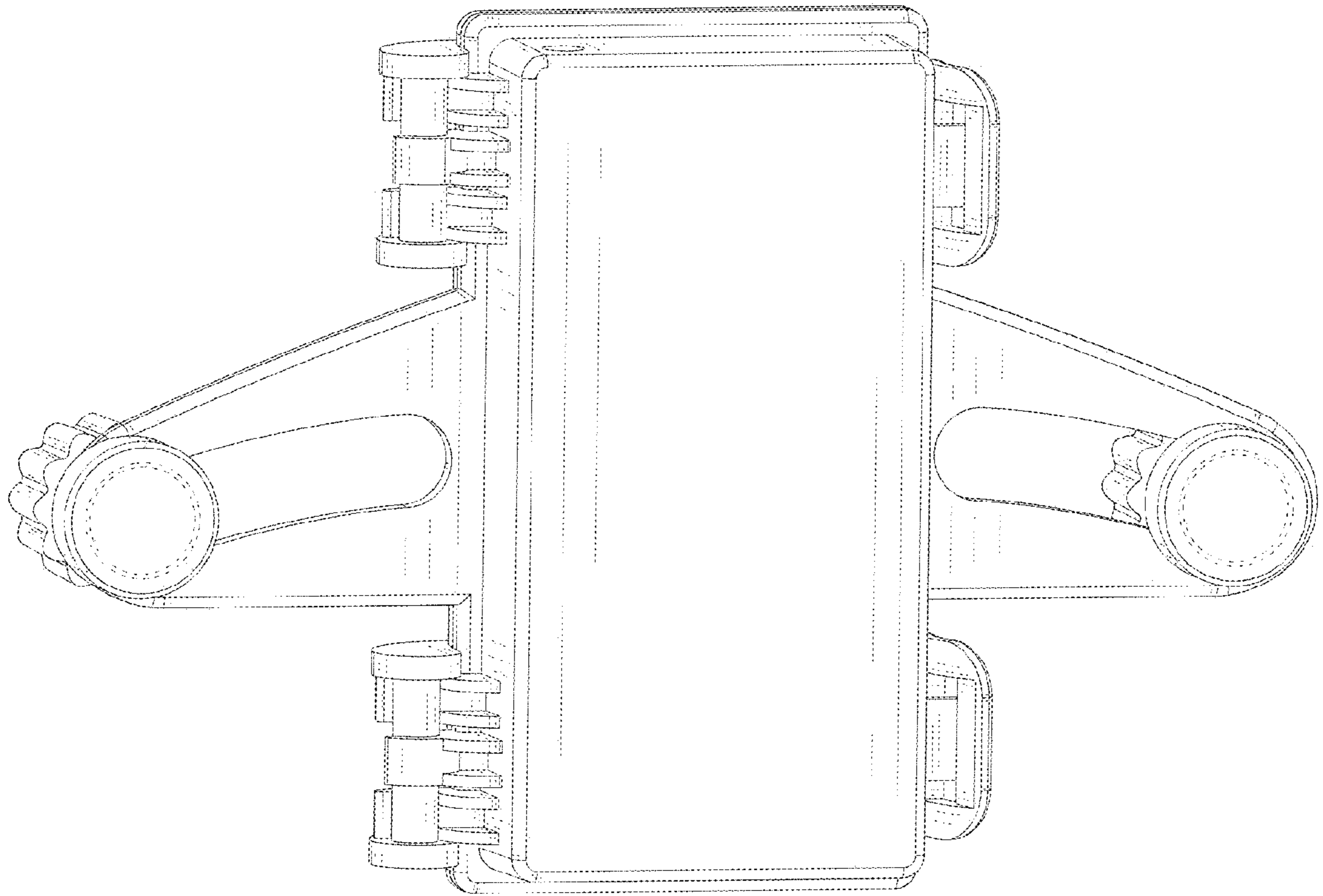


FIG. 2

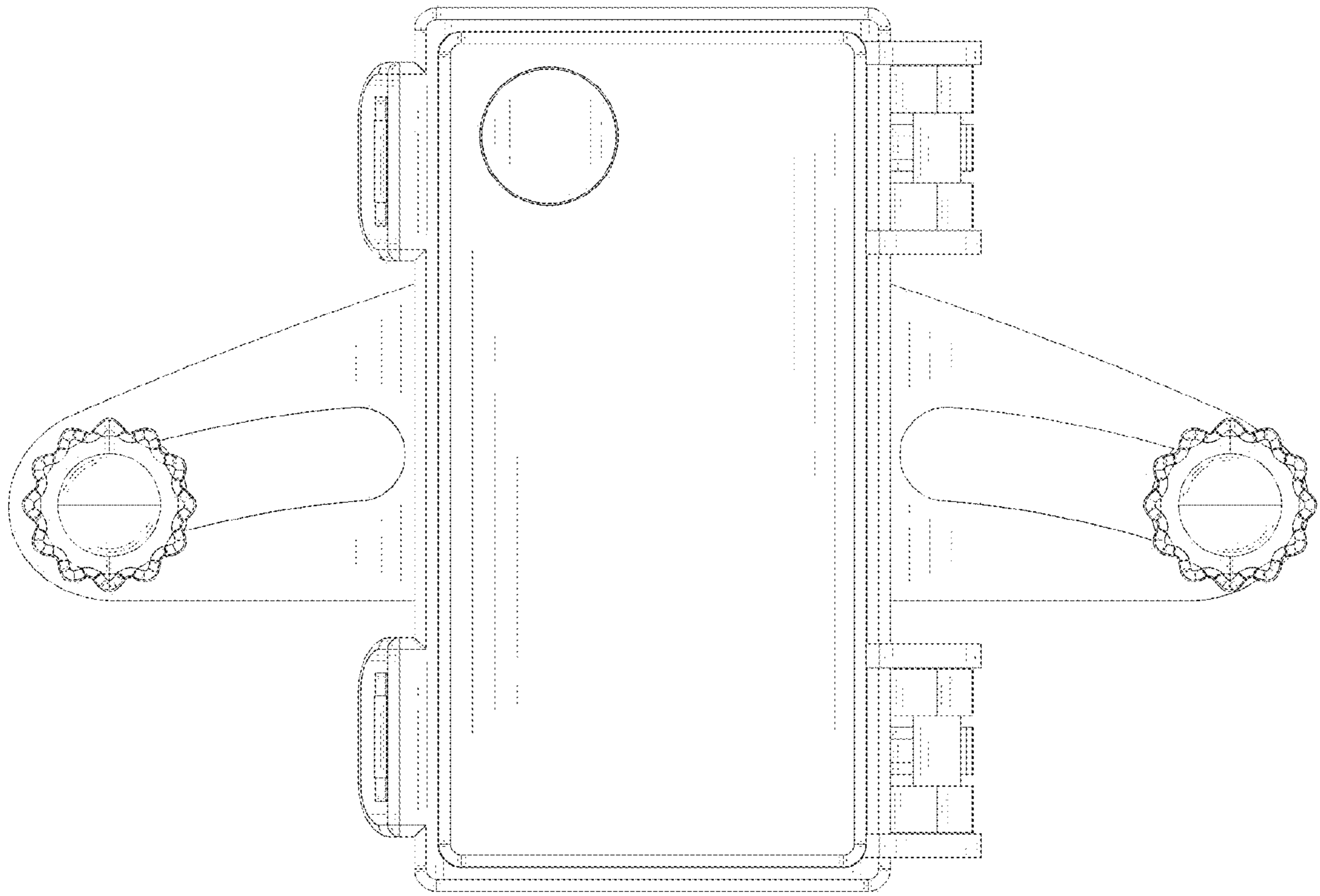


FIG. 3

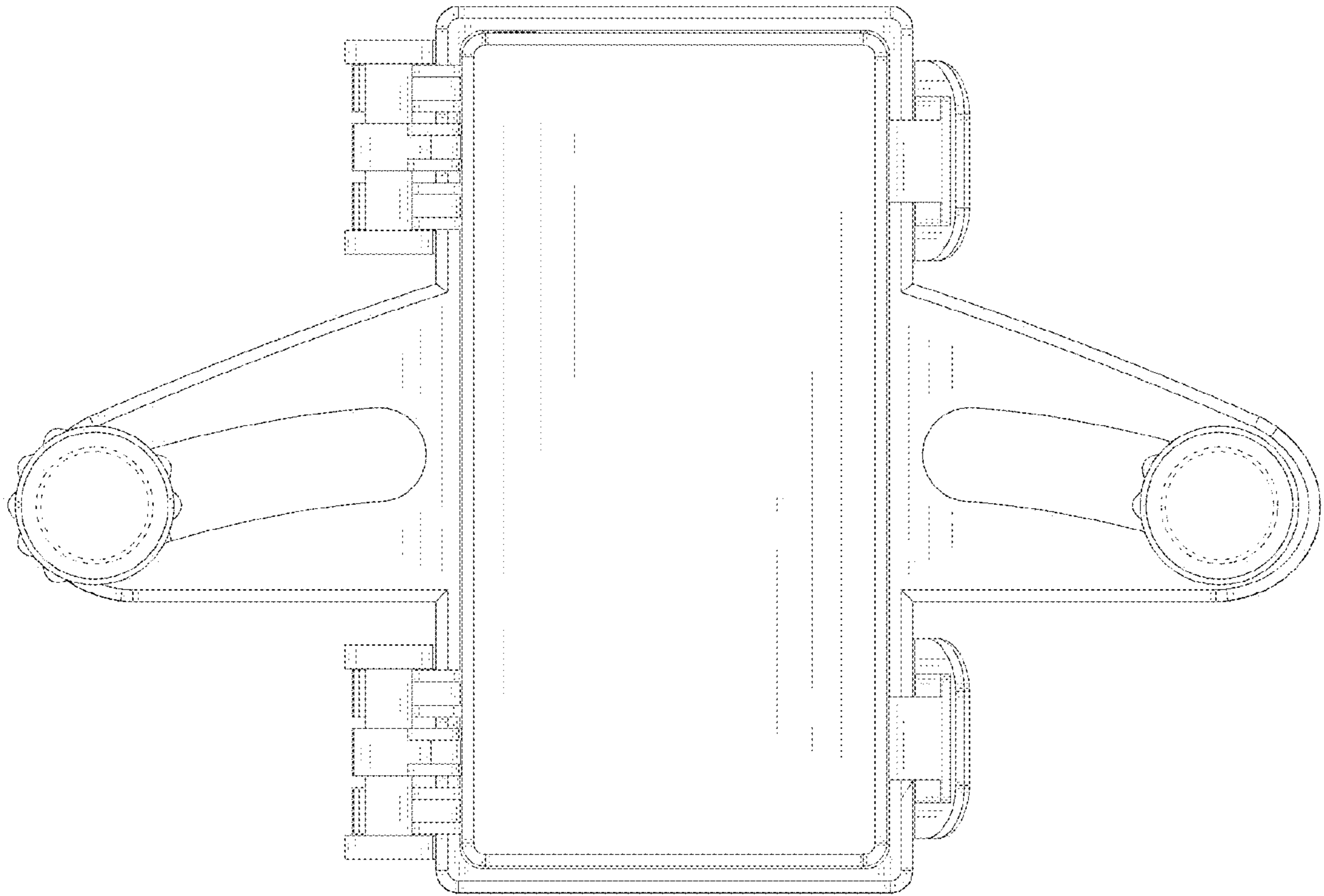


FIG. 4

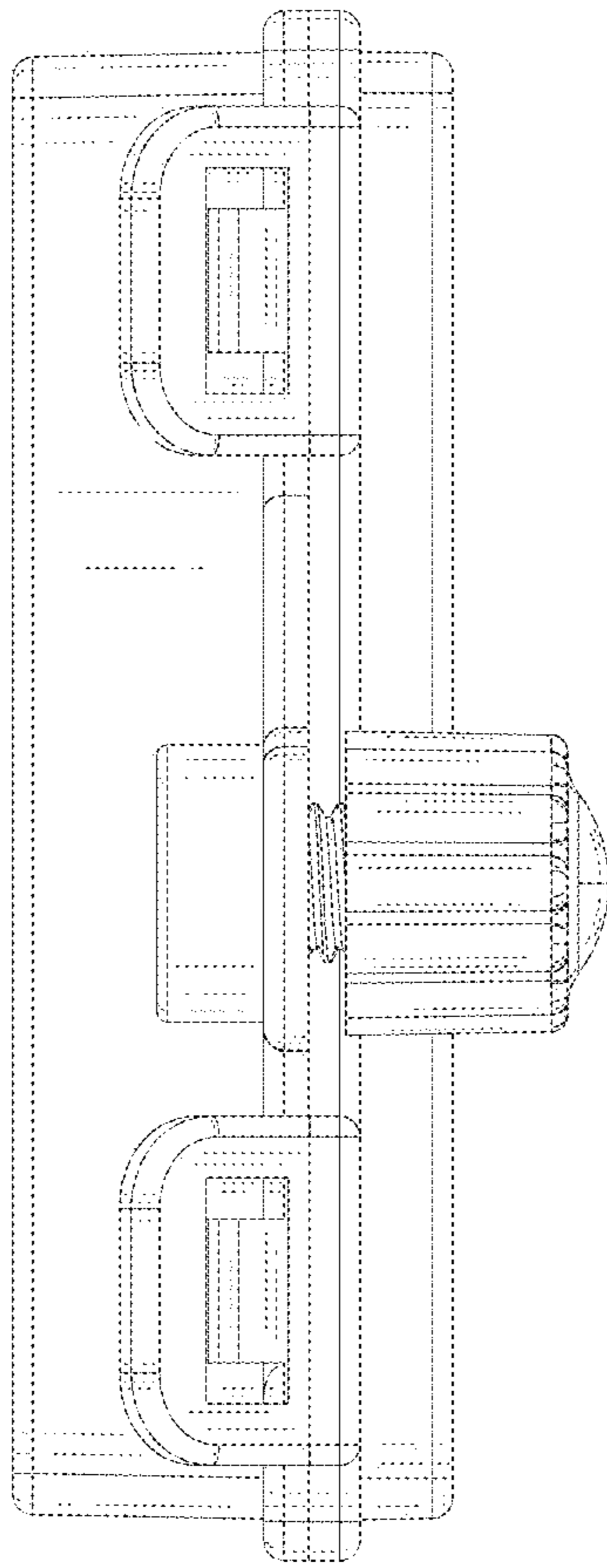


FIG. 5

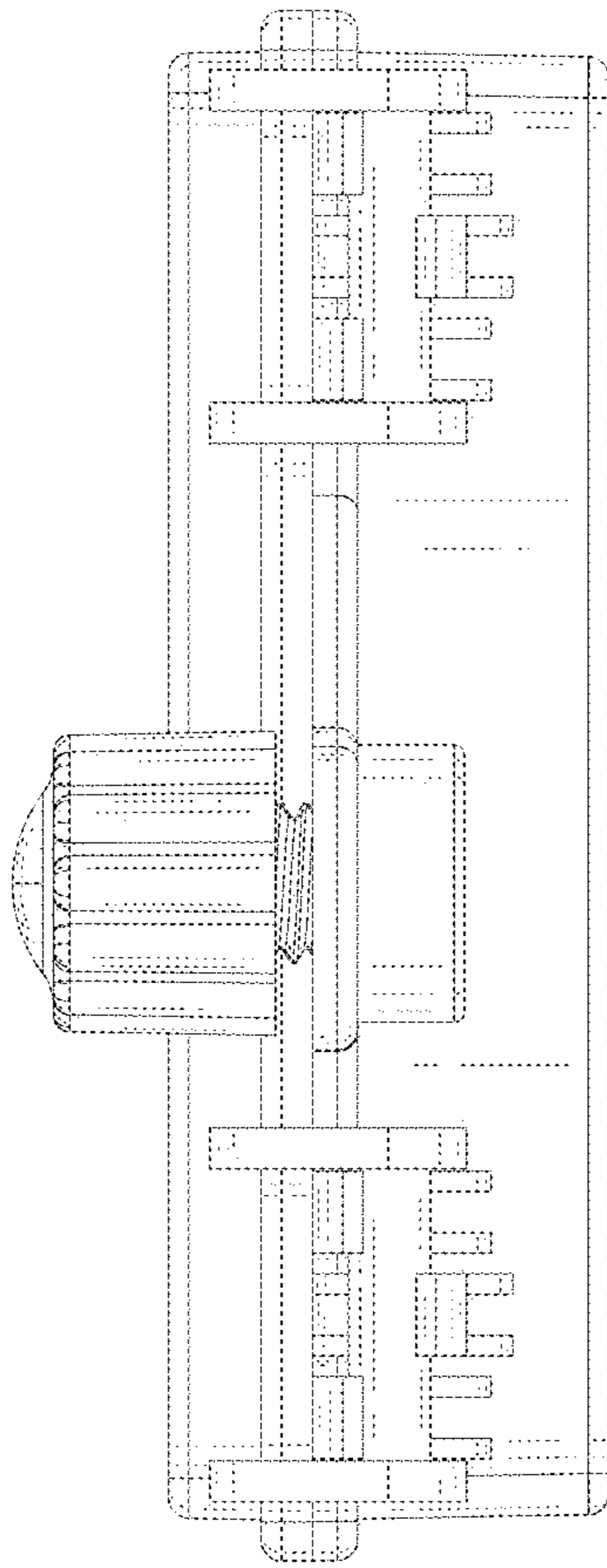


FIG. 6

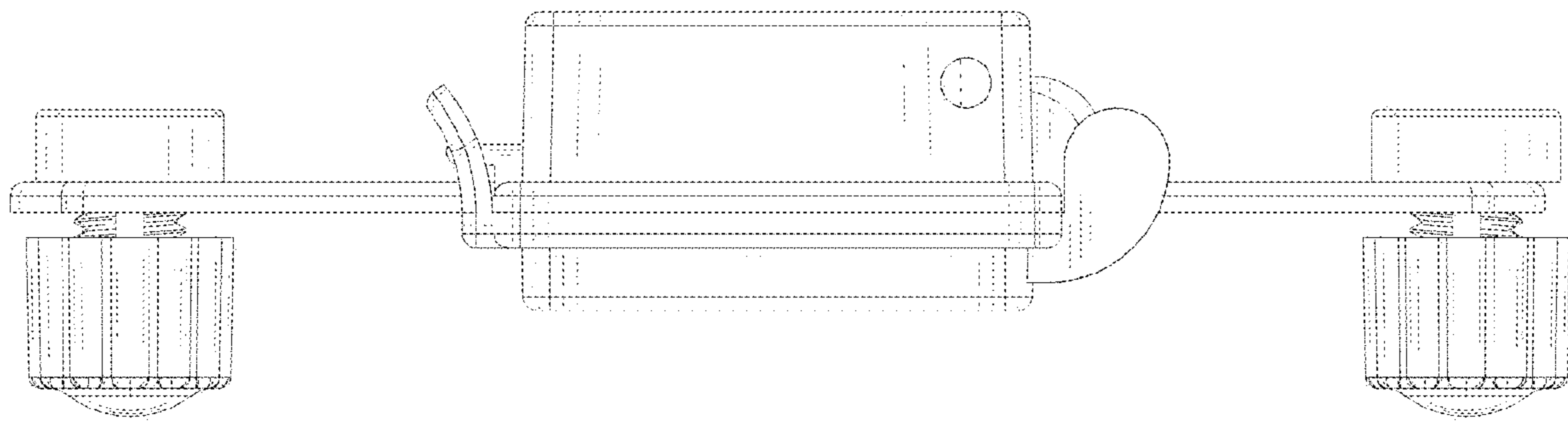


FIG. 7



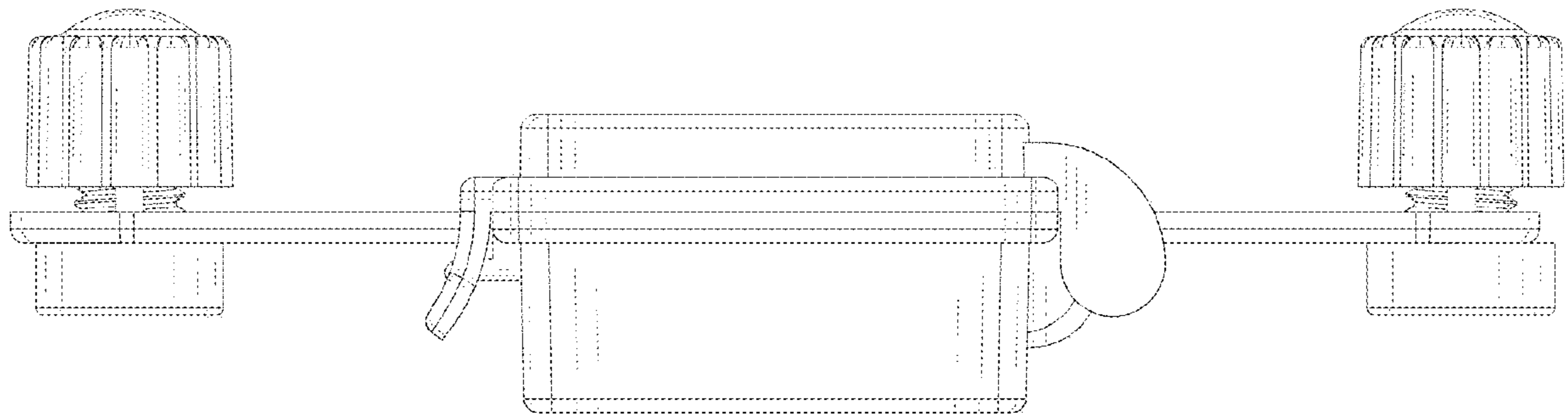


FIG. 8