



US00D986148S

(12) **United States Design Patent**
Bonifas

(10) **Patent No.:** **US D986,148 S**

(45) **Date of Patent:** **** May 16, 2023**

(54) **TIRE**

(71) Applicant: **COOPER TIRE & RUBBER COMPANY**, Findlay, OH (US)

(72) Inventor: **Patrick J. Bonifas**, Findlay, OH (US)

(73) Assignee: **The Goodyear Tire & Rubber Company**, Akron, OH (US)

(**) Term: **15 Years**

(21) Appl. No.: **29/776,657**

(22) Filed: **Mar. 31, 2021**

(51) **LOC (14) Cl.** **12-15**

(52) **U.S. Cl.**
USPC **D12/600**

(58) **Field of Classification Search**
USPC D12/568-605, 900
CPC Y10T 152/10027; B60C 1/0016; B60C 11/0306; B60C 11/0302; B60C 3/06; B60C 9/17

See application file for complete search history.

(56) **References Cited**

U.S. PATENT DOCUMENTS

D261,753 S	11/1981	Blankenship et al.	
D307,881 S	5/1990	Miller et al.	
D371,756 S *	7/1996	Kishi	D12/588
D388,035 S	12/1997	Heinen et al.	
D397,647 S *	9/1998	Young	D12/595
D414,446 S *	9/1999	Kemp, Jr.	D12/588
D450,636 S	11/2001	Allison et al.	
D451,860 S *	12/2001	Schuster	D12/900
D588,984 S	3/2009	Lee	
D609,169 S *	2/2010	Feider	D12/588
D616,356 S *	5/2010	Ohara	D12/588
D621,779 S	8/2010	Yonetsu	
D667,780 S	9/2012	Kaba	
D719,907 S *	12/2014	Ohara	D12/588
D730,273 S *	5/2015	Schimmoeller	D12/601

D731,960 S	6/2015	Otani et al.	
D738,294 S *	9/2015	Koog	D12/601
D743,327 S *	11/2015	Schimmoeller	D12/588
D755,713 S	5/2016	Wang et al.	
D759,584 S	6/2016	Ono	
D763,174 S	8/2016	Koog	
D764,397 S *	8/2016	Dixon	D12/588
D772,149 S	11/2016	Kwak	

(Continued)

Primary Examiner — John A Voytek

(74) *Attorney, Agent, or Firm* — June E. Rickey; Robert N. Lipsik

(57) **CLAIM**

The ornamental design for a tire, as shown and described.

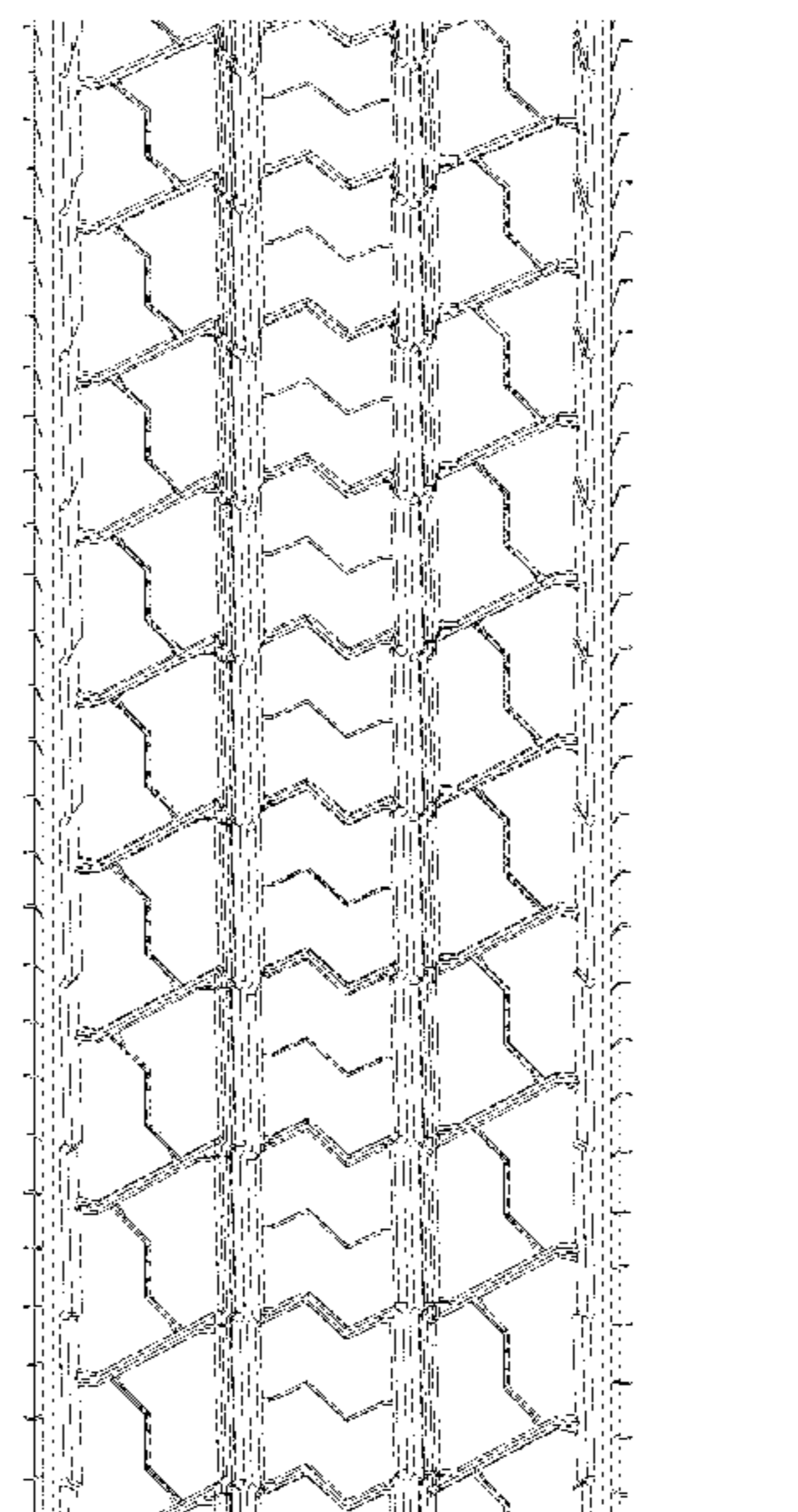
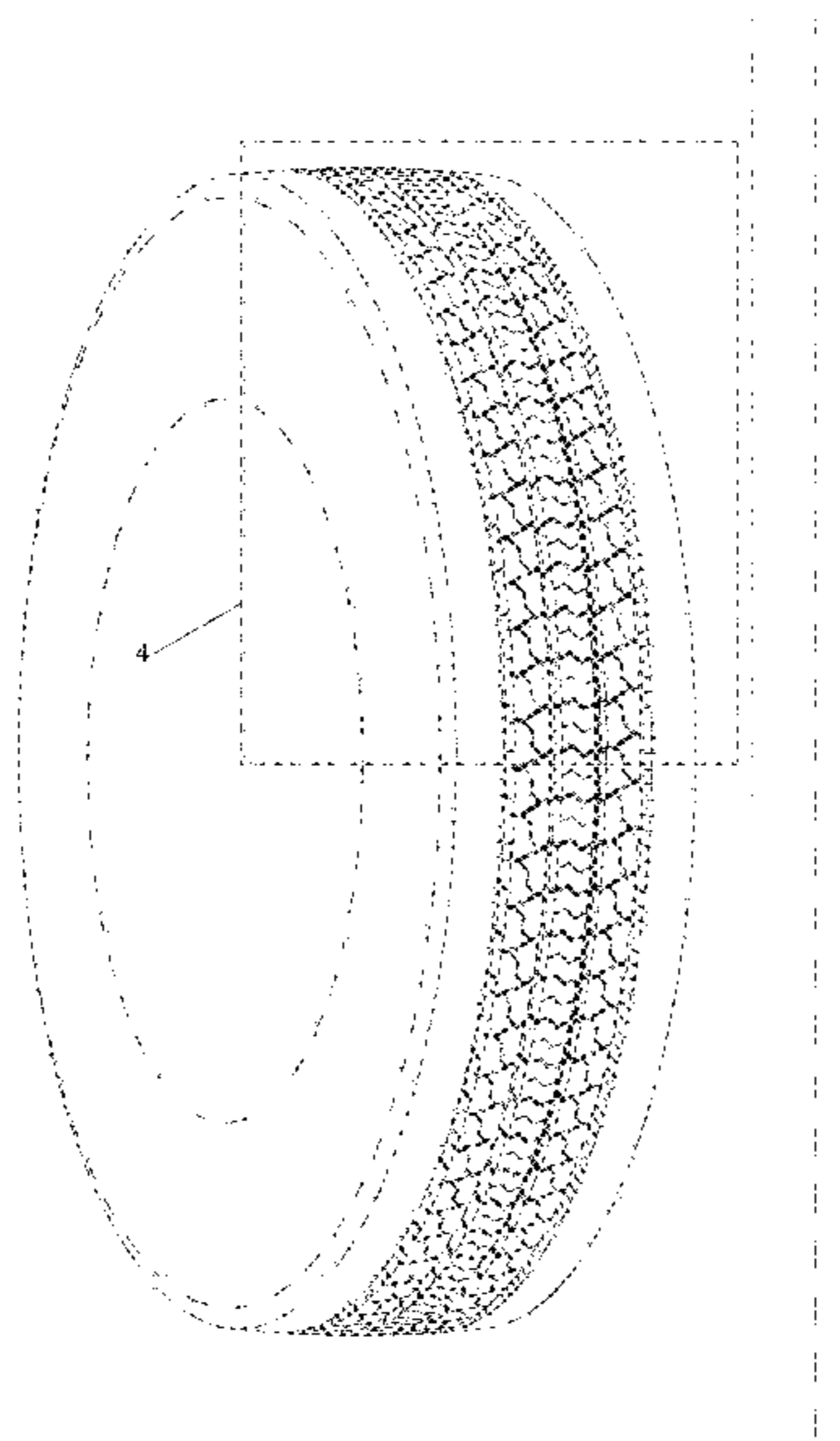
DESCRIPTION

FIG. 1 is a perspective view of a tire taken generally from the front and a first side of the tire;
 FIG. 2 is a front view thereof;
 FIG. 3 is a right side view thereof; the left side view being identical thereto;
 FIG. 4 is an enlarged partial, perspective view of the taken along Line 4 of FIG. 1 thereof;
 FIG. 5 is an enlarged, partial front view taken along Line 5-5 of FIG. 2 thereof; and,
 FIG. 6 is an enlarged, partial side view taken along Line 6 of FIG. 3 thereof.

The broken lines and the region between the broken lines defining the inner bead and the first or second sidewall depict subject matter that forms no part of the claimed tire, and is included for the purpose of illustrating the full tire. Likewise, the tire interior forms no part of the claim. The tread pattern is understood to repeat throughout the circumference of the tire. The other side view is identical to the illustrated side view.

The dashed broken lines indicating an enlargement portion of the design form no part of the claimed design.

1 Claim, 6 Drawing Sheets



(56)

References Cited

U.S. PATENT DOCUMENTS

D772,150 S	11/2016	Kim	
D772,791 S	11/2016	De Martino	
D784,916 S	4/2017	Wang et al.	
D787,434 S *	5/2017	Oji	D12/595
D789,277 S *	6/2017	Dixon	D12/518
D789,284 S	6/2017	Krier et al.	
D805,463 S	12/2017	Akashi et al.	
D822,586 S	7/2018	Becker et al.	
D845,225 S	4/2019	Kochanek	
D850,360 S *	6/2019	Davenport	D12/600
D851,579 S	6/2019	Hamanaka et al.	
D852,123 S	6/2019	Hamanaka	
D856,269 S	8/2019	Hong et al.	
D868,680 S	12/2019	Becker et al.	
D879,016 S	3/2020	Liu	
D883,907 S	5/2020	Nyun	
D904,287 S	12/2020	Binder	
D956,676 S *	7/2022	Wang	D12/588

* cited by examiner

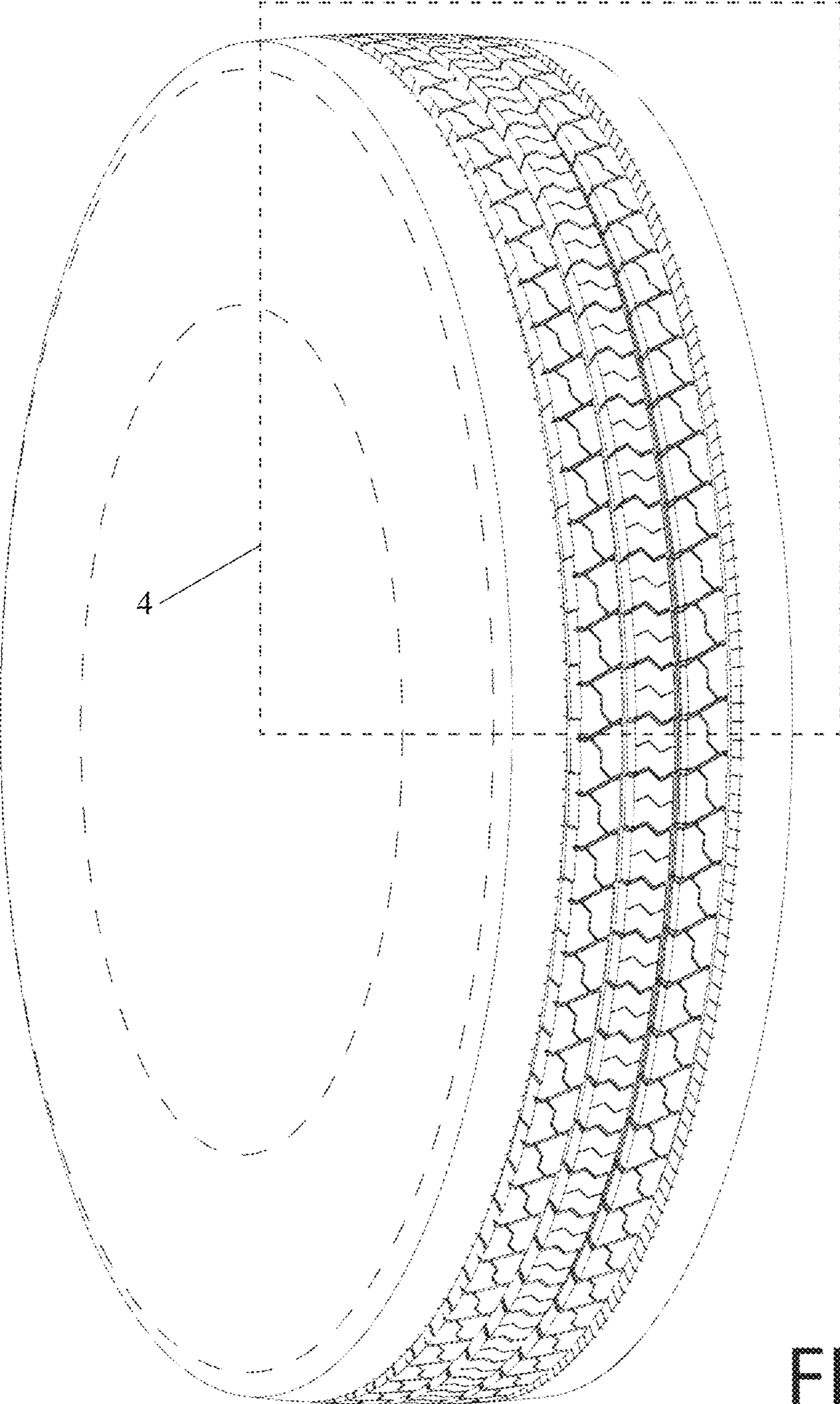


FIG. 1

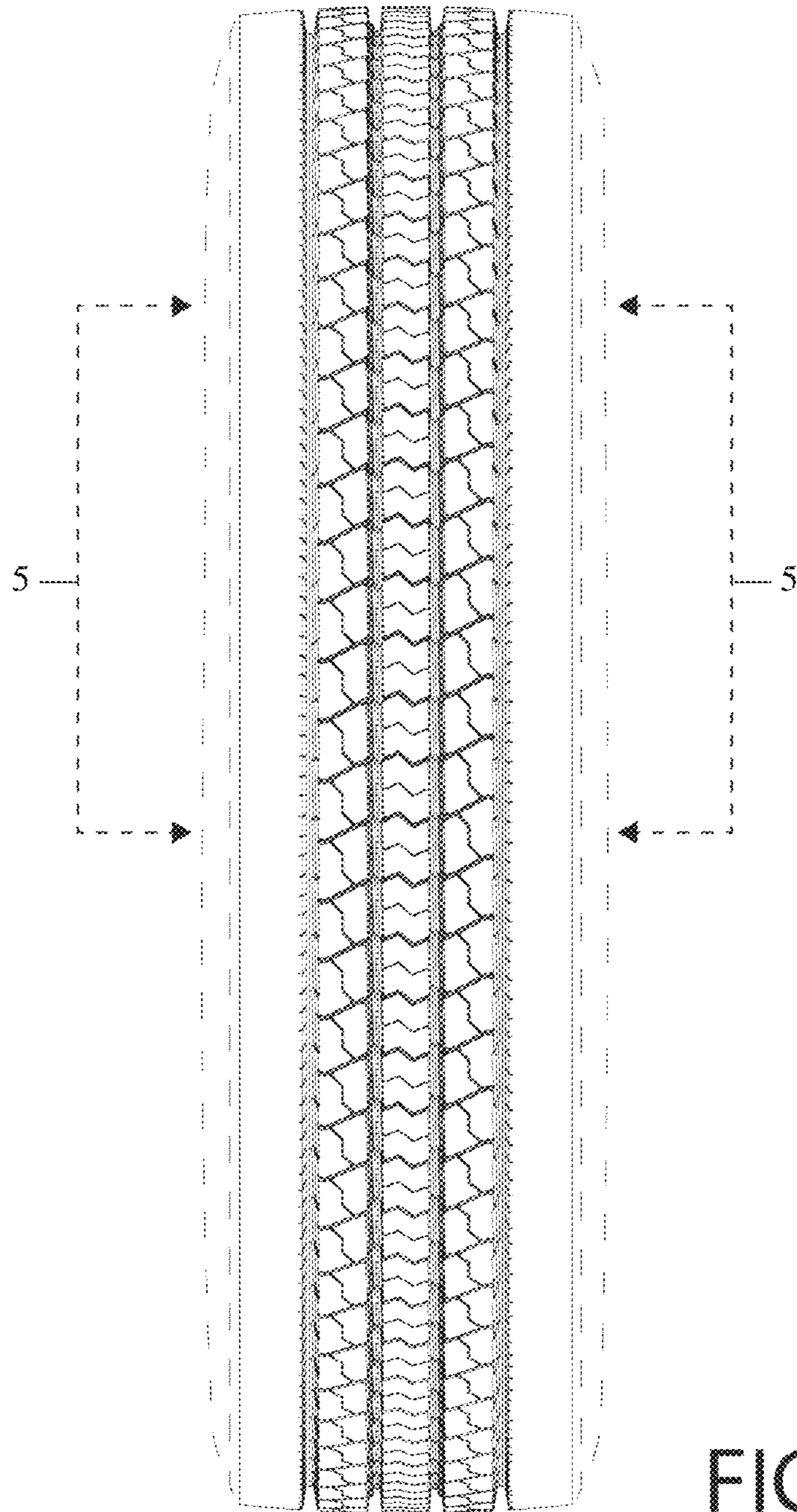


FIG. 2

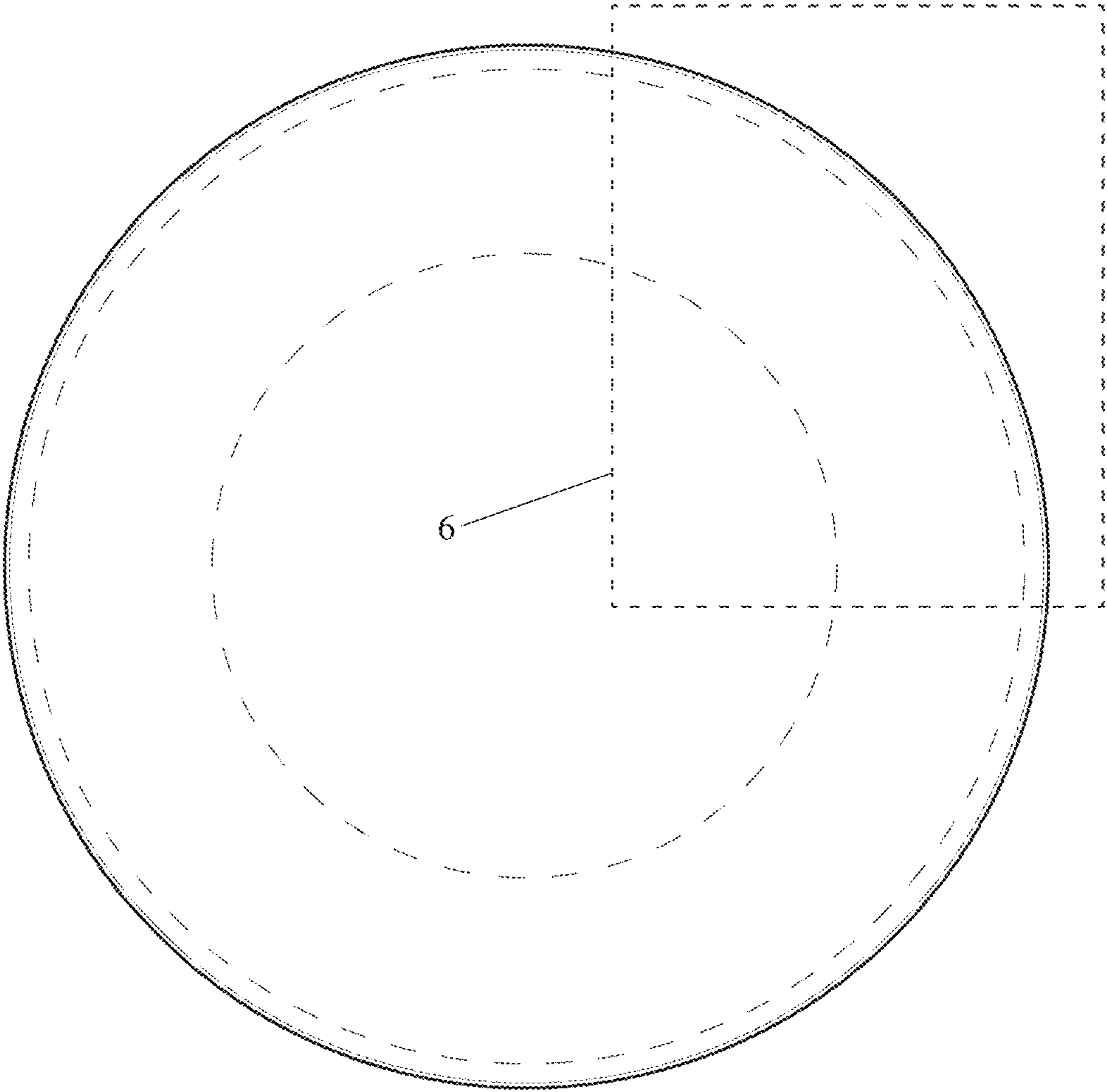


FIG. 3

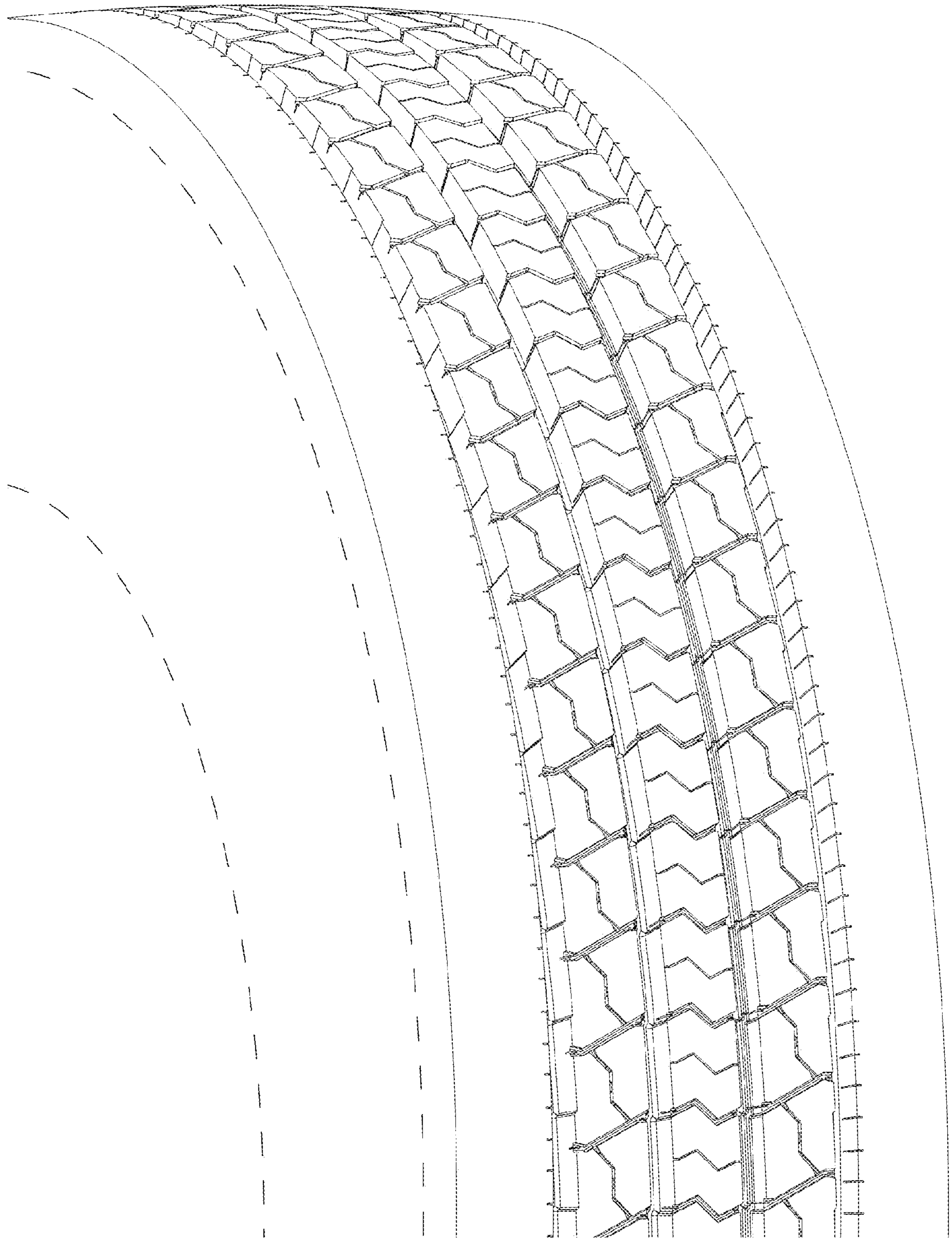


FIG. 4

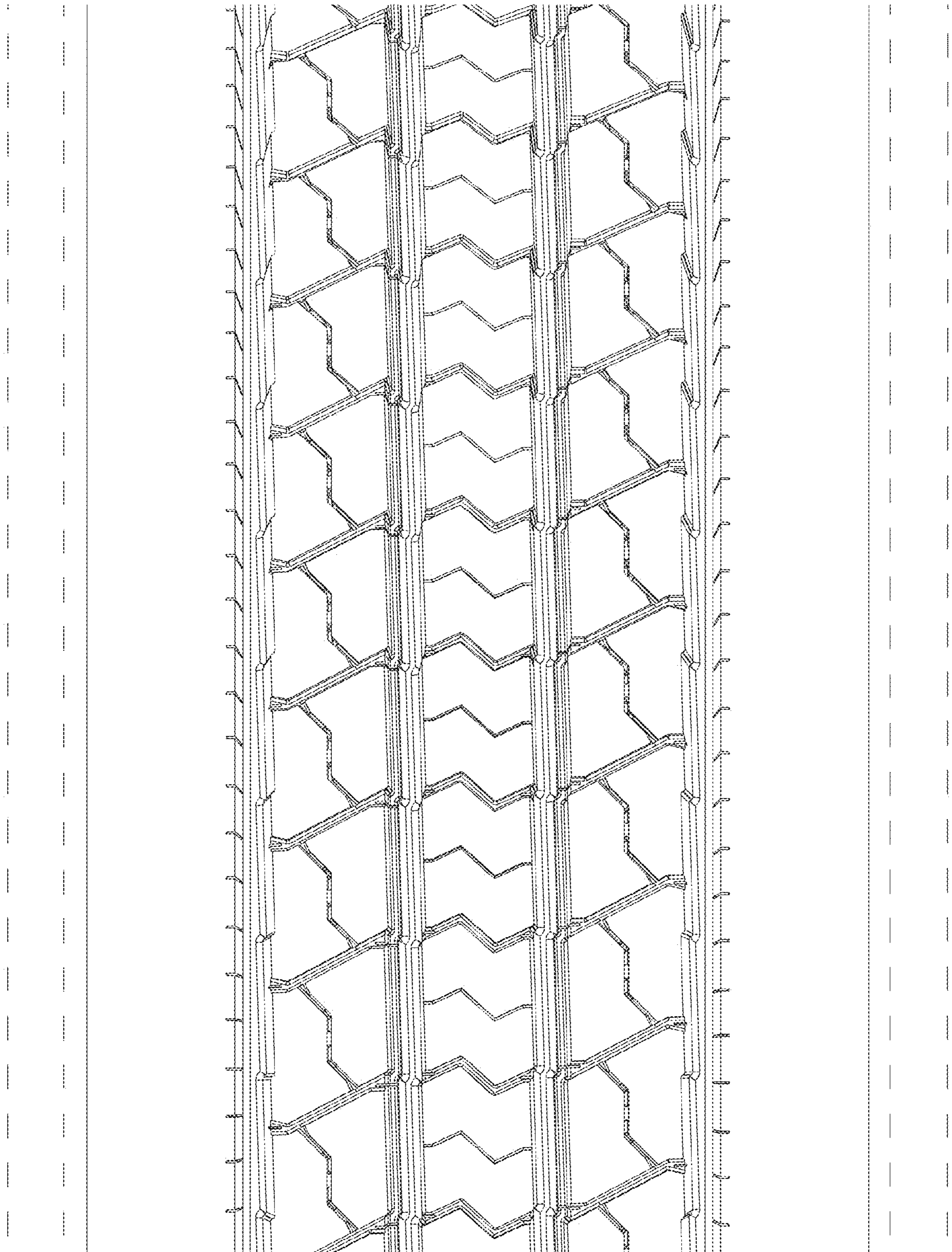


FIG. 5

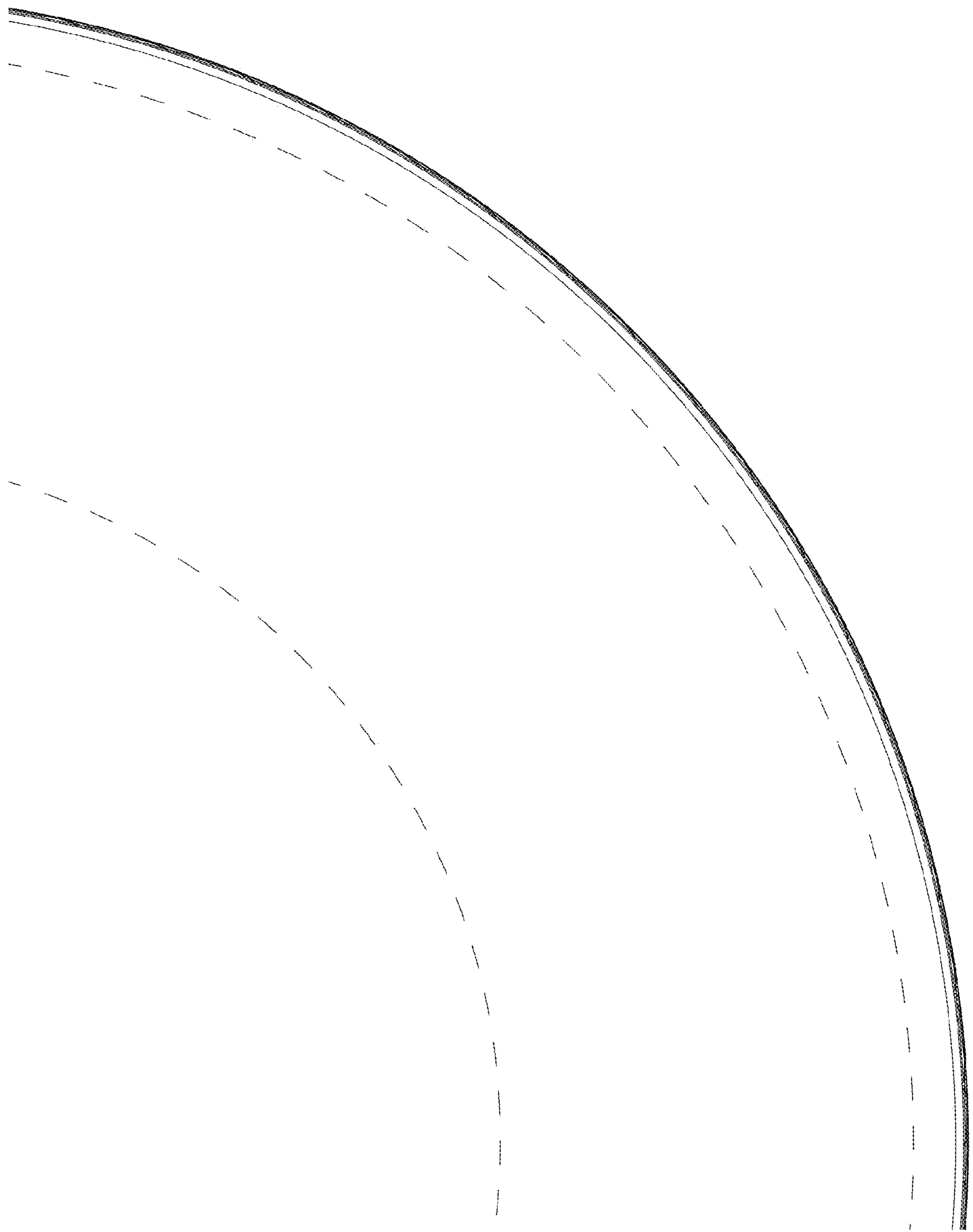


FIG. 6