



US00D986145S

(12) **United States Design Patent**
Xiao

(10) **Patent No.:** **US D986,145 S**

(45) **Date of Patent:** **** May 16, 2023**

(54) **ORGANIZER BAG**

(71) Applicant: **Youyou Xiao**, Shenzhen (CN)

(72) Inventor: **Youyou Xiao**, Shenzhen (CN)

(**) Term: **15 Years**

(21) Appl. No.: **29/871,163**

(22) Filed: **Feb. 14, 2023**

(51) **LOC (14) Cl.** **12-16**

(52) **U.S. Cl.**

USPC **D12/416; D3/319; D3/201**

(58) **Field of Classification Search**

USPC D3/206, 215, 216, 224, 225, 226, 230,
D3/233, 303, 315, 319; D12/416

CPC .. A45C 3/00; A45C 3/001; A45C 7/00; A45C
7/0059; A45C 11/26; A45F 3/00; A45F
2003/001; A45F 2003/003; A45F 4/00;
A45F 2004/003; A45F 2005/006; A45F
2200/0575

See application file for complete search history.

(56) **References Cited**

U.S. PATENT DOCUMENTS

5,657,912	A *	8/1997	Nakayama	A47D 13/025 224/159
D432,075	S *	10/2000	Hassett	D12/416
6,381,127	B1 *	4/2002	Maddali	G06F 1/163 D3/276
D475,851	S *	6/2003	Leighton	D3/224
D551,442	S *	9/2007	Nash	D3/215
D572,465	S *	7/2008	Beck	A45F 5/021 D3/215
D605,848	S *	12/2009	Ramclam	A45F 3/047 D3/229
D608,543	S *	1/2010	Sammons	A45C 11/08 D3/232
D623,403	S *	9/2010	Sammons	D3/215

D632,510	S *	2/2011	Johnson	D12/416
D633,713	S *	3/2011	Bode	
D656,071	S *	3/2012	Treon	D12/133
D658,568	S *	5/2012	Currier	D12/416
D669,683	S *	10/2012	Caperon	D3/232
D676,657	S *	2/2013	Knecht	D3/303
D689,690	S *	9/2013	Hordos	D3/215
9,210,978	B1 *	12/2015	Hunt	A45C 11/08
D768,934	S *	10/2016	Osweiler	D28/38
D776,423	S *	1/2017	Zhou	D24/190
D801,910	S *	11/2017	Salisbury	D12/416
D807,026	S *	1/2018	Lawhorn	D3/216
D809,783	S *	2/2018	Votel	D3/905
D811,726	S *	3/2018	Lambo	D3/216
D825,060	S *	8/2018	Finch	D3/216
D831,332	S *	10/2018	St. John	D3/215
D866,970	S *	11/2019	Votel	D3/303
D880,851	S *	4/2020	Liu	D3/224
D883,662	S *	5/2020	Landeros	D3/233

(Continued)

Primary Examiner — Steven J Czyz

(74) *Attorney, Agent, or Firm* — Jeenam Park

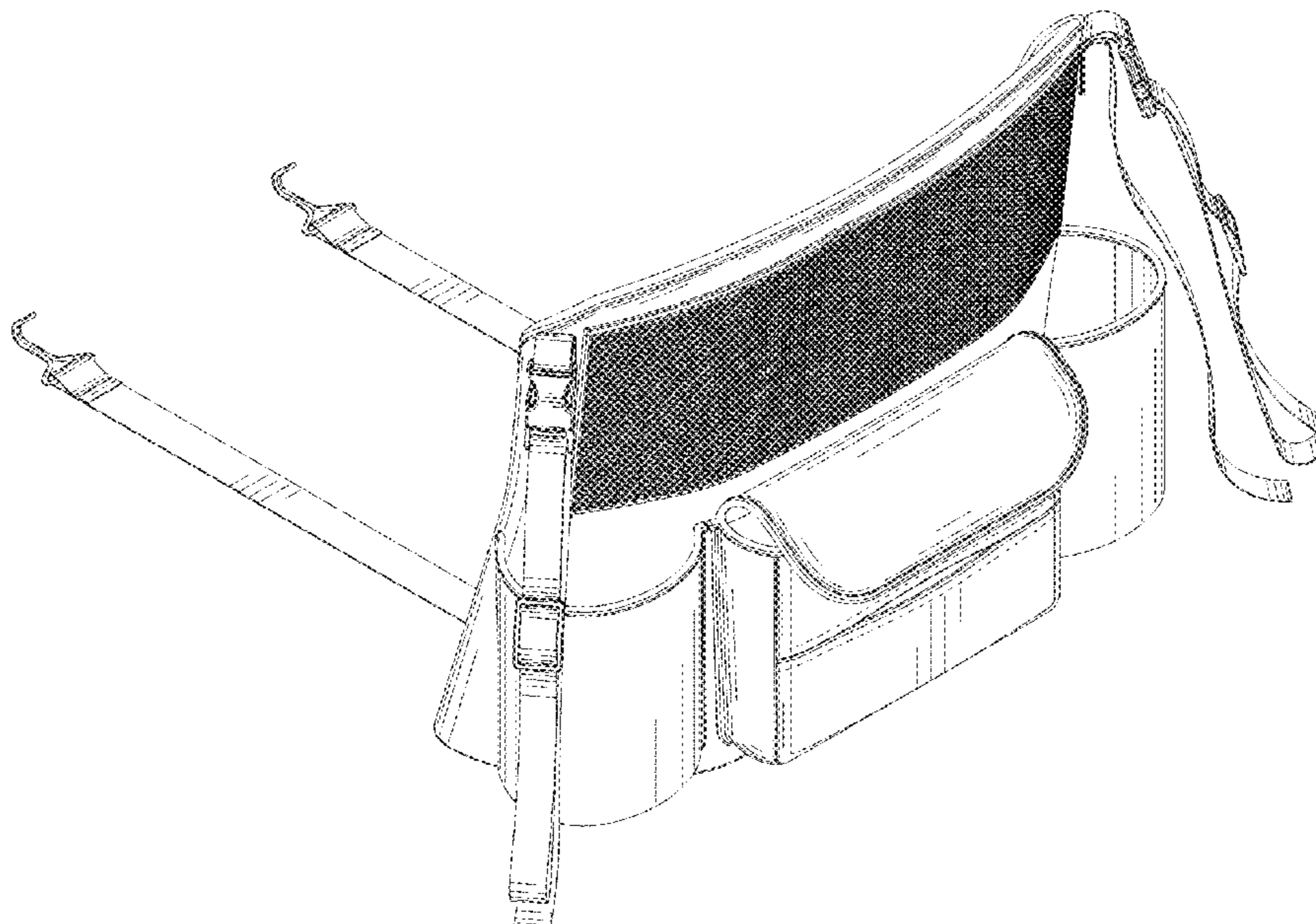
(57) **CLAIM**

The ornamental design for an organizer bag, as shown and described.

DESCRIPTION

Fig. 1 is a front, left and top perspective view of an organizer bag, showing my new design; FIG. 2 is a rear, right and bottom perspective view thereof; FIG. 3 is a front view thereof; FIG. 4 is a rear view thereof; FIG. 5 is a left side view thereof; Fig. 6 is a right side view thereof; FIG. 7 is a top plan view thereof; and, FIG. 8 is a bottom plan view thereof. The broken lines shown in the drawings illustrate portions of the organizer bag that form no part of the claimed design.

1 Claim, 8 Drawing Sheets



(56)

References Cited

U.S. PATENT DOCUMENTS

D909,054 S * 2/2021 Huang D3/226
D919,297 S * 5/2021 Wang D3/315
D920,672 S * 6/2021 Diorio D3/315
D931,187 S * 9/2021 Huang D12/416
D950,245 S * 5/2022 Dodson D3/315
D955,321 S * 6/2022 Yu D12/416
D957,792 S * 7/2022 McKenna-Schliep D2/864
D972,290 S * 12/2022 Taylor D3/226
D972,844 S * 12/2022 Chi D3/315
D974,027 S * 1/2023 Li D3/216
2002/0145027 A1 * 10/2002 Godshaw A45F 3/14
224/904
2007/0044877 A1 * 3/2007 Davidoff A45C 13/02
190/110
2019/0125062 A1 * 5/2019 Kippen A45F 3/047
2019/0159579 A1 * 5/2019 Picking A45F 5/021
2022/0325936 A1 * 10/2022 Rowe A45C 3/001
2023/0061930 A1 * 3/2023 Ward A45F 3/00

* cited by examiner

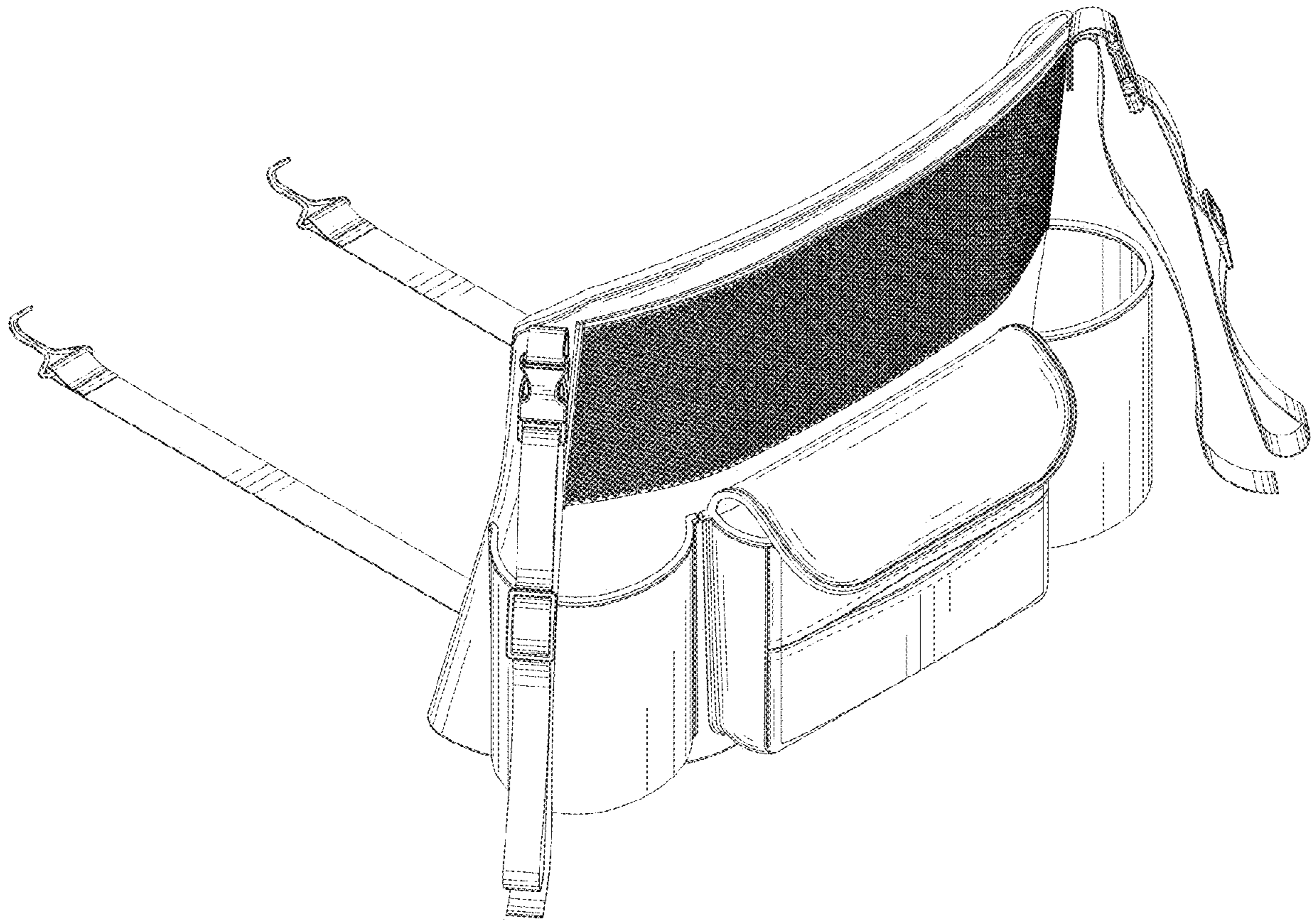


FIG. 1

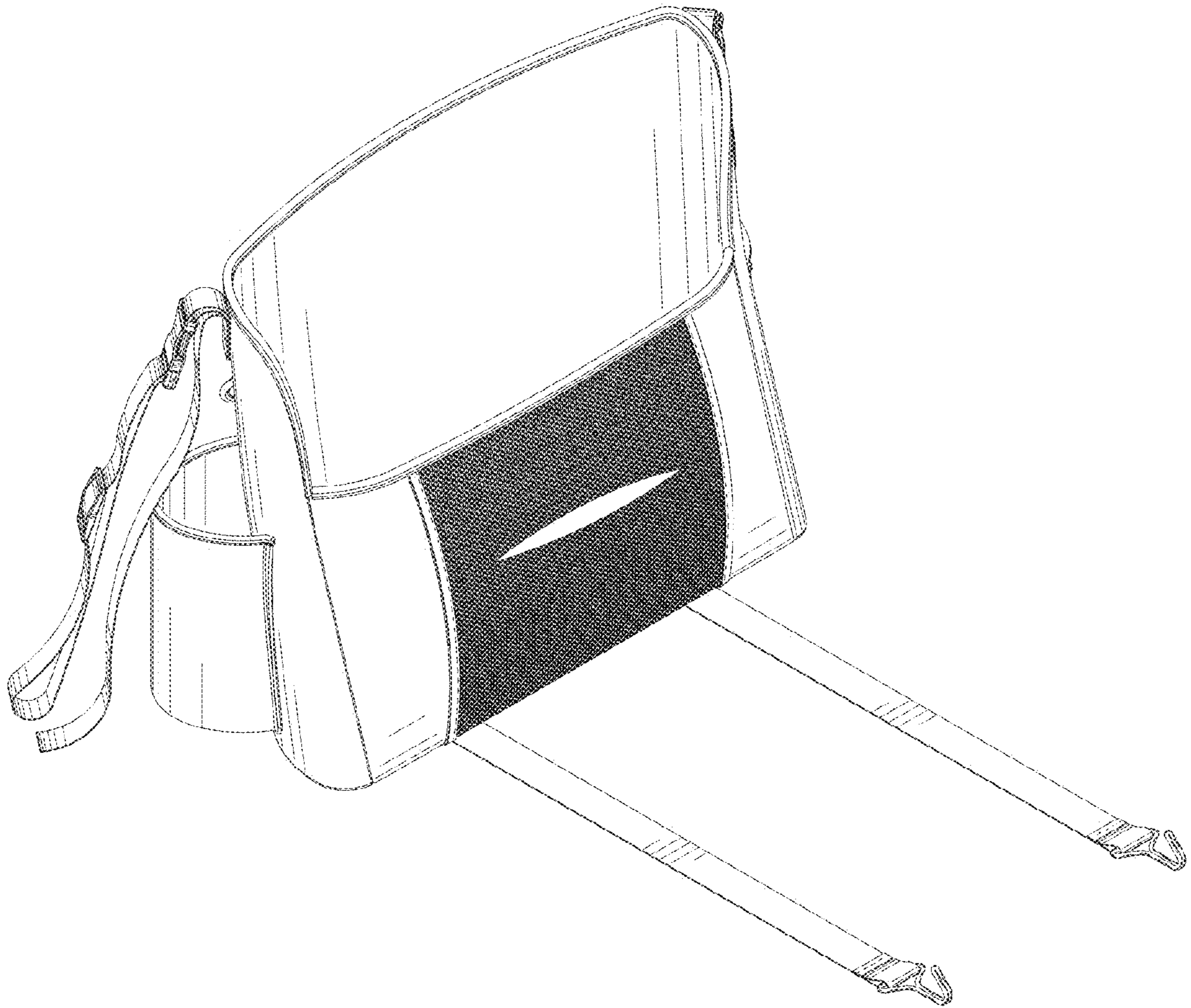


FIG.2

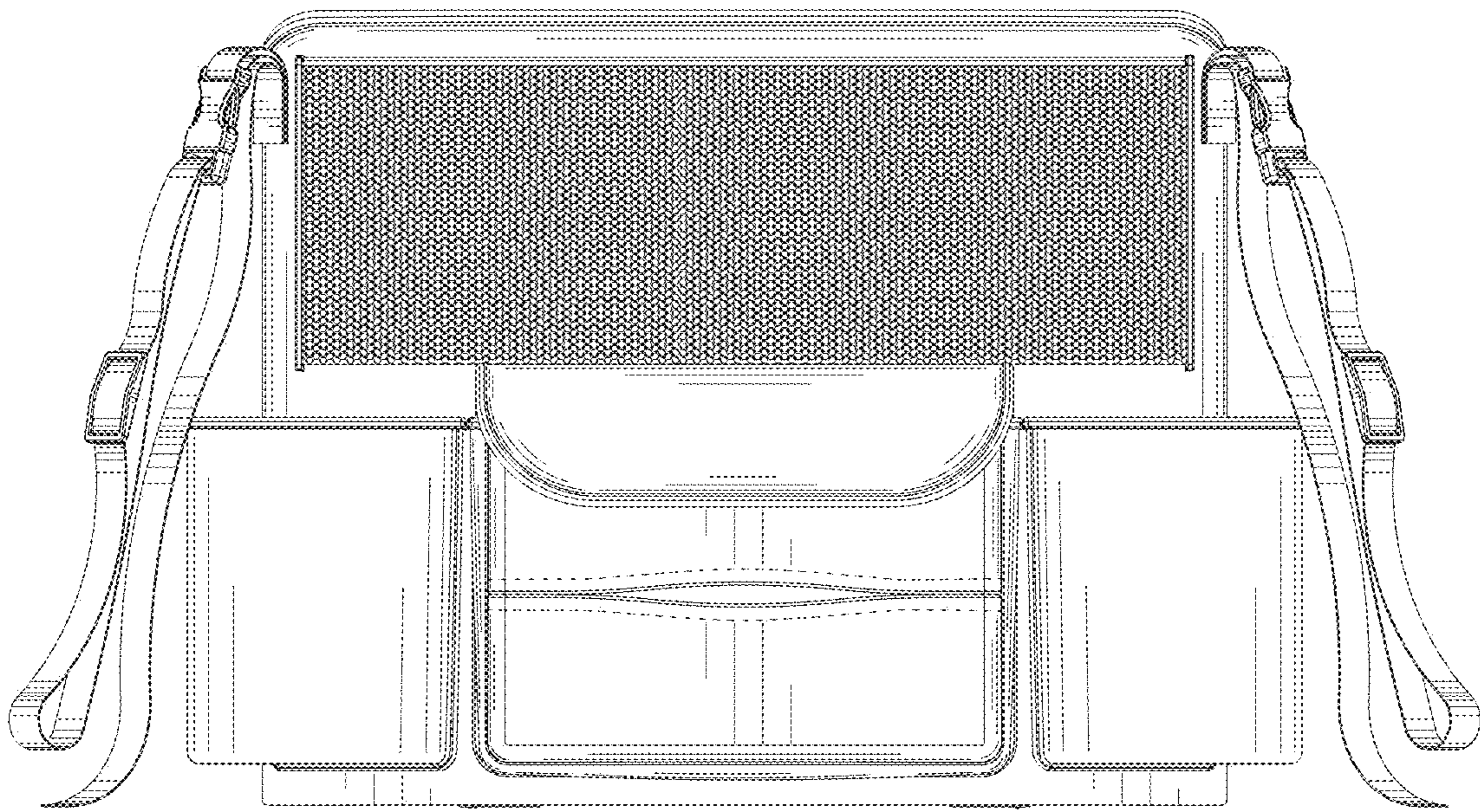


FIG.3

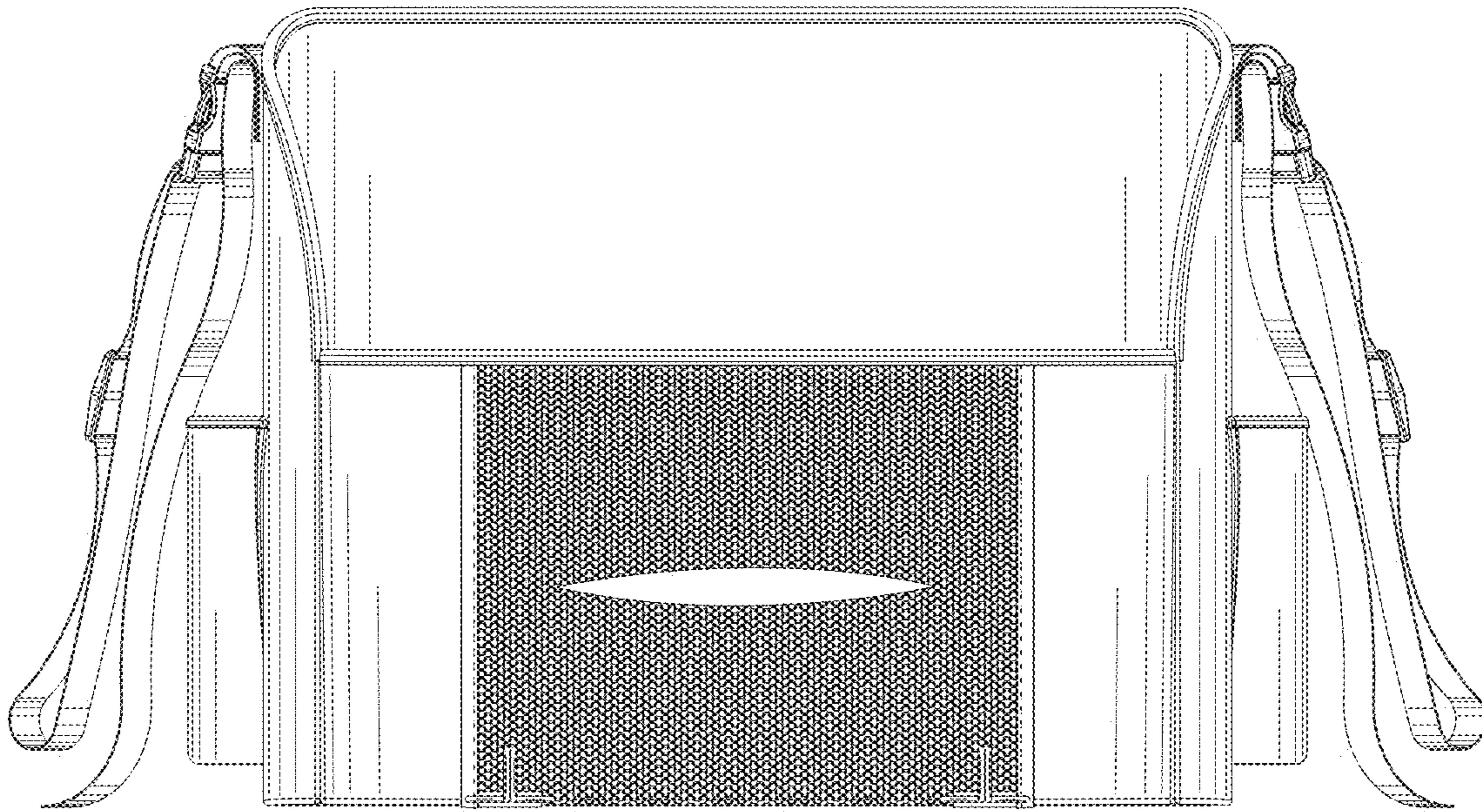


FIG.4

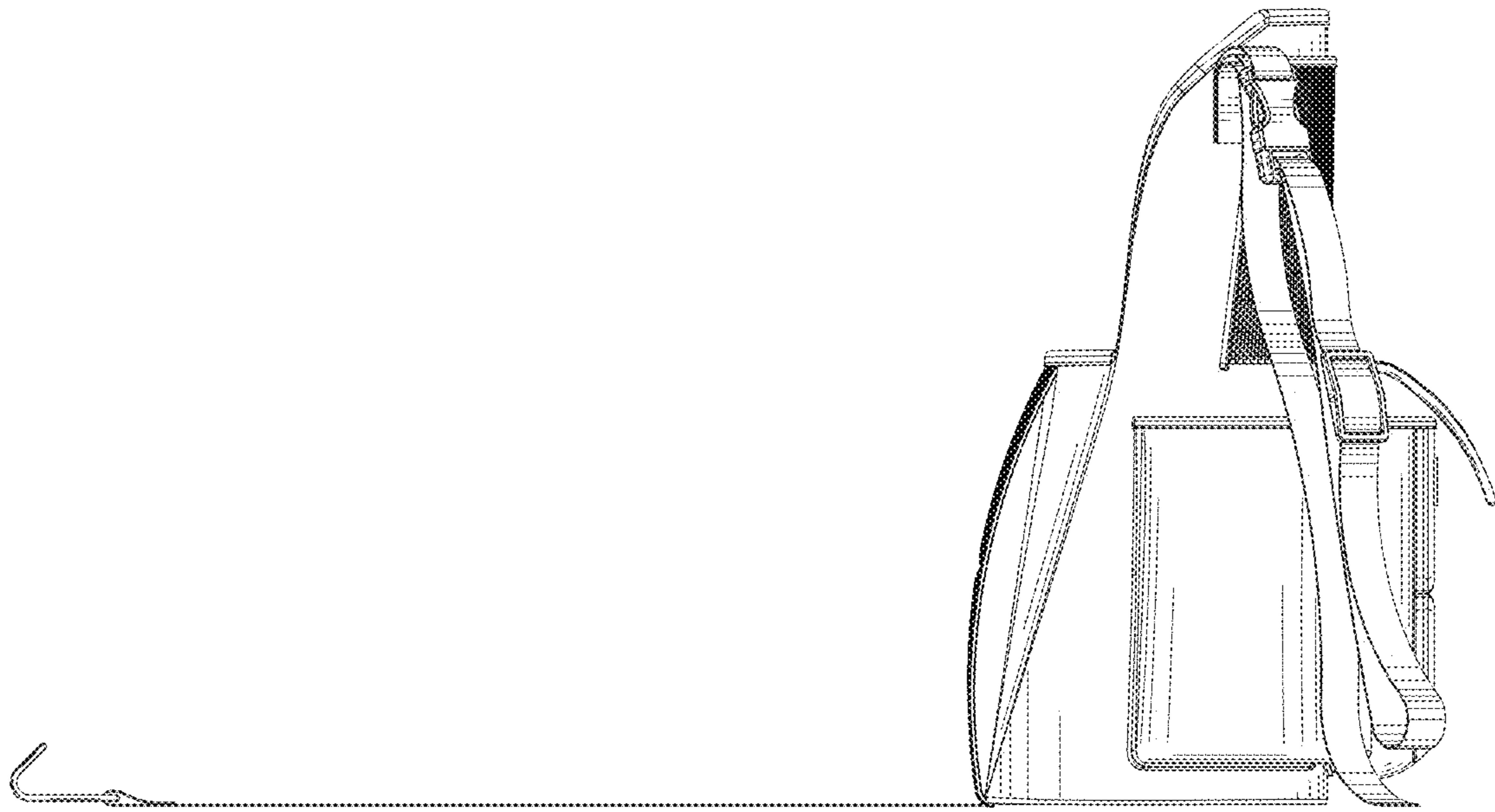


FIG.5

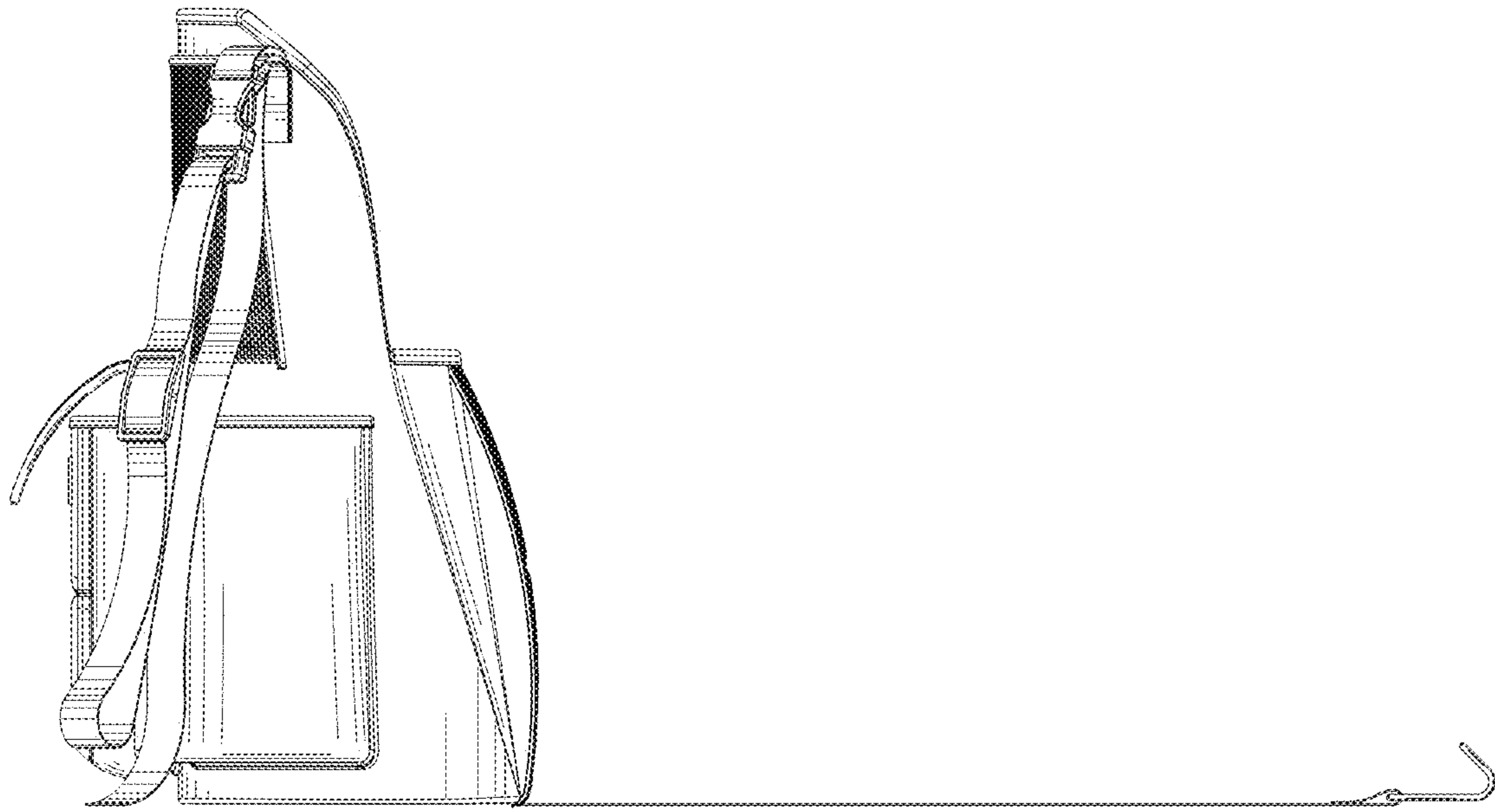


FIG.6

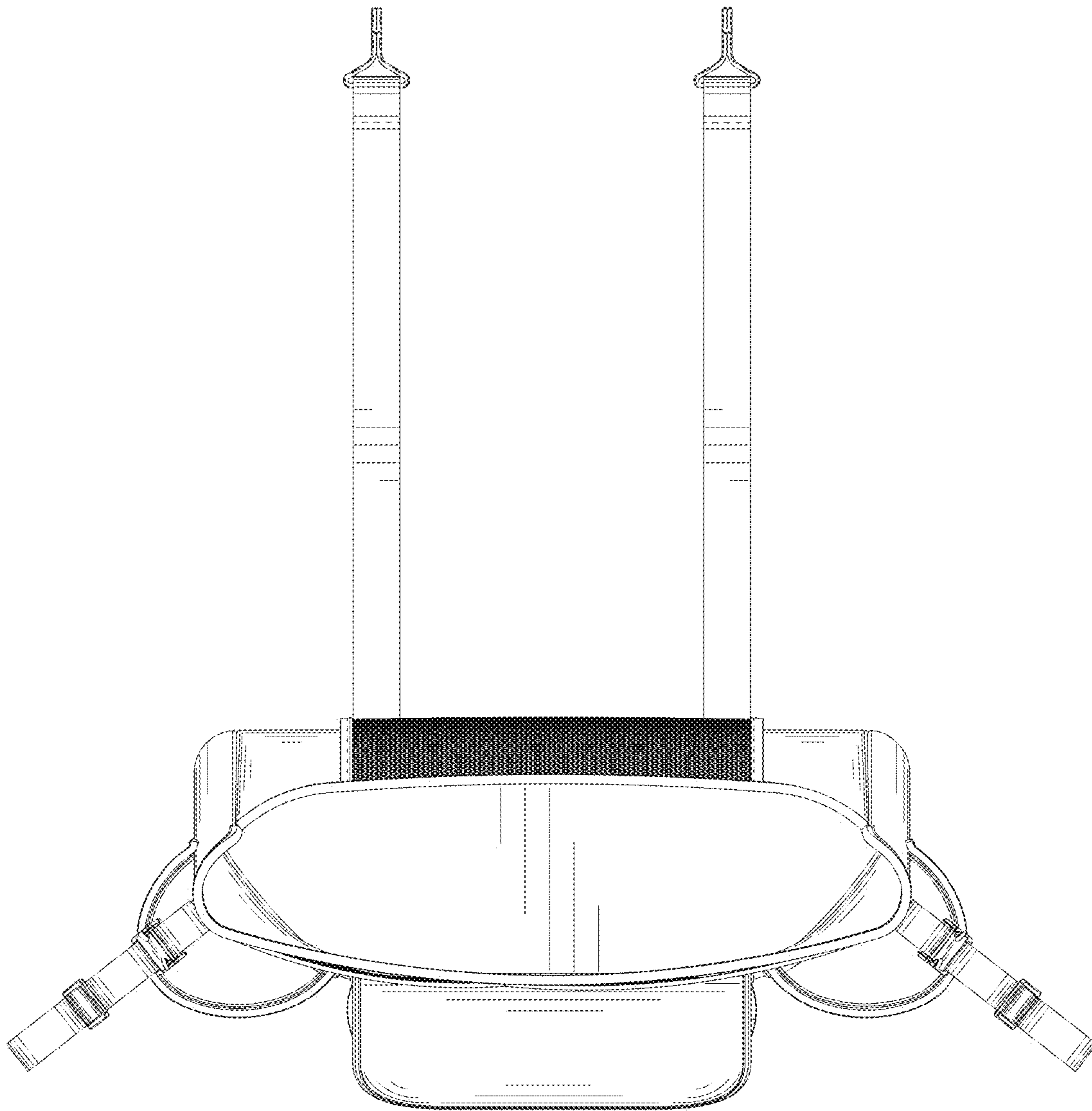


FIG.7

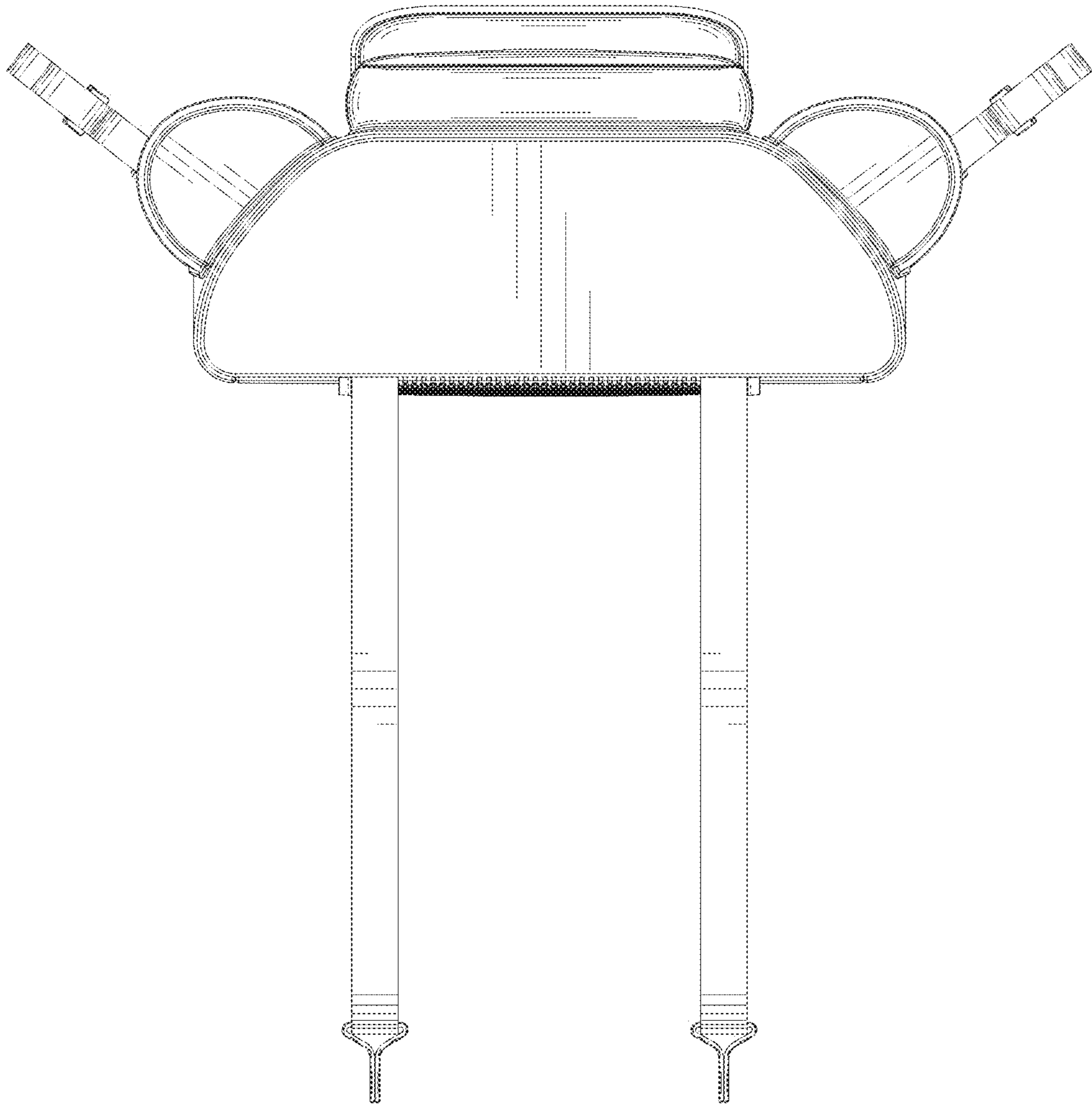


FIG.8