



US00D986144S

(12) **United States Design Patent**
Ryu et al.

(10) **Patent No.:** **US D986,144 S**

(45) **Date of Patent:** **** May 16, 2023**

(54) **CENTER CONSOLE FOR AUTOMOBILE**

(71) Applicant: **Samsung Electronics Co., Ltd.**,
Suwon-si (KR)

(72) Inventors: **Kwan-Jun Ryu**, Suwon-si (KR);
Kyung-Jin Lee, Suwon-si (KR);
Jei-Sung Park, Suwon-si (KR);
Ki-Byung Chai, Suwon-si (KR)

(73) Assignee: **SAMSUNG ELECTRONICS CO., LTD.**,
Suwon-si (KR)

(**) Term: **15 Years**

(21) Appl. No.: **29/797,779**

(22) Filed: **Jul. 2, 2021**

(30) **Foreign Application Priority Data**

Jan. 4, 2021 (KR) 30-2021-0000084

(51) **LOC (14) Cl.** **12-16**

(52) **U.S. Cl.**
USPC **D12/415**

(58) **Field of Classification Search**
USPC D12/415, 419; D7/620
CPC B60R 13/02; C03C 3/085; B60Q 3/64;
B60Q 3/225; B60N 3/10
See application file for complete search history.

(56) **References Cited**

U.S. PATENT DOCUMENTS

D830,951 S * 10/2018 Karasawa D12/419
D832,187 S * 10/2018 Buffery D12/419
D876,318 S * 2/2020 Ray D12/415
D880,402 S * 4/2020 Ray D12/415
D890,078 S * 7/2020 Nakao D12/415

D908,073 S * 1/2021 Warner D12/415
D940,634 S * 1/2022 Aizawa D12/419
D941,228 S * 1/2022 Sandys D12/415
D941,229 S * 1/2022 Ernstsson D12/419
D967,747 S * 10/2022 Buffery D12/415

* cited by examiner

Primary Examiner — Katrina A Betton
(74) *Attorney, Agent, or Firm* — McAndrews Held & Malloy, Ltd.

(57) **CLAIM**

The ornamental design for a center console for automobile, as shown and described.

DESCRIPTION

FIG. 1 is a front perspective view of a center console for automobile showing our new design;
FIG. 2 is a front view thereof;
FIG. 3 is a rear view thereof;
FIG. 4 is a left side view thereof;
FIG. 5 is a right side view thereof;
FIG. 6 is a top plan view thereof;
FIG. 7 is a bottom plan view thereof;
FIG. 8 is a rear perspective view thereof;
FIG. 9 is another front perspective thereof shown in an alternate position;
FIG. 10 is a front view thereof;
FIG. 11 is a rear view thereof;
FIG. 12 is a left side view thereof;
FIG. 13 is a right side view thereof;
FIG. 14 is a top plan view thereof;
FIG. 15 is a bottom plan view thereof; and,
FIG. 16 is a rear perspective view thereof.

The dashed broken lines in the drawings illustrate portions of the center console for automobile that form no part of the claimed design.

1 Claim, 16 Drawing Sheets

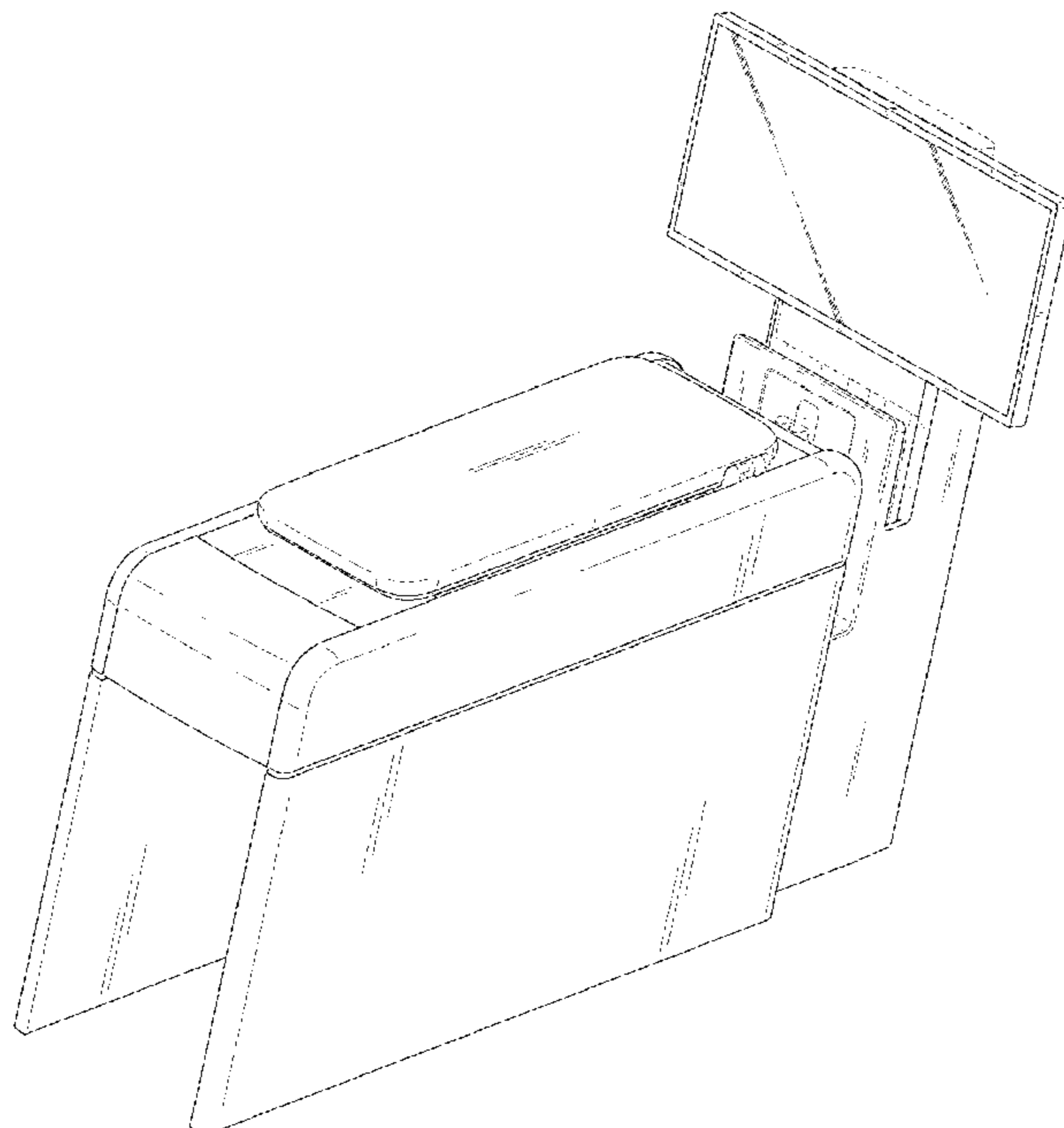


FIG. 1

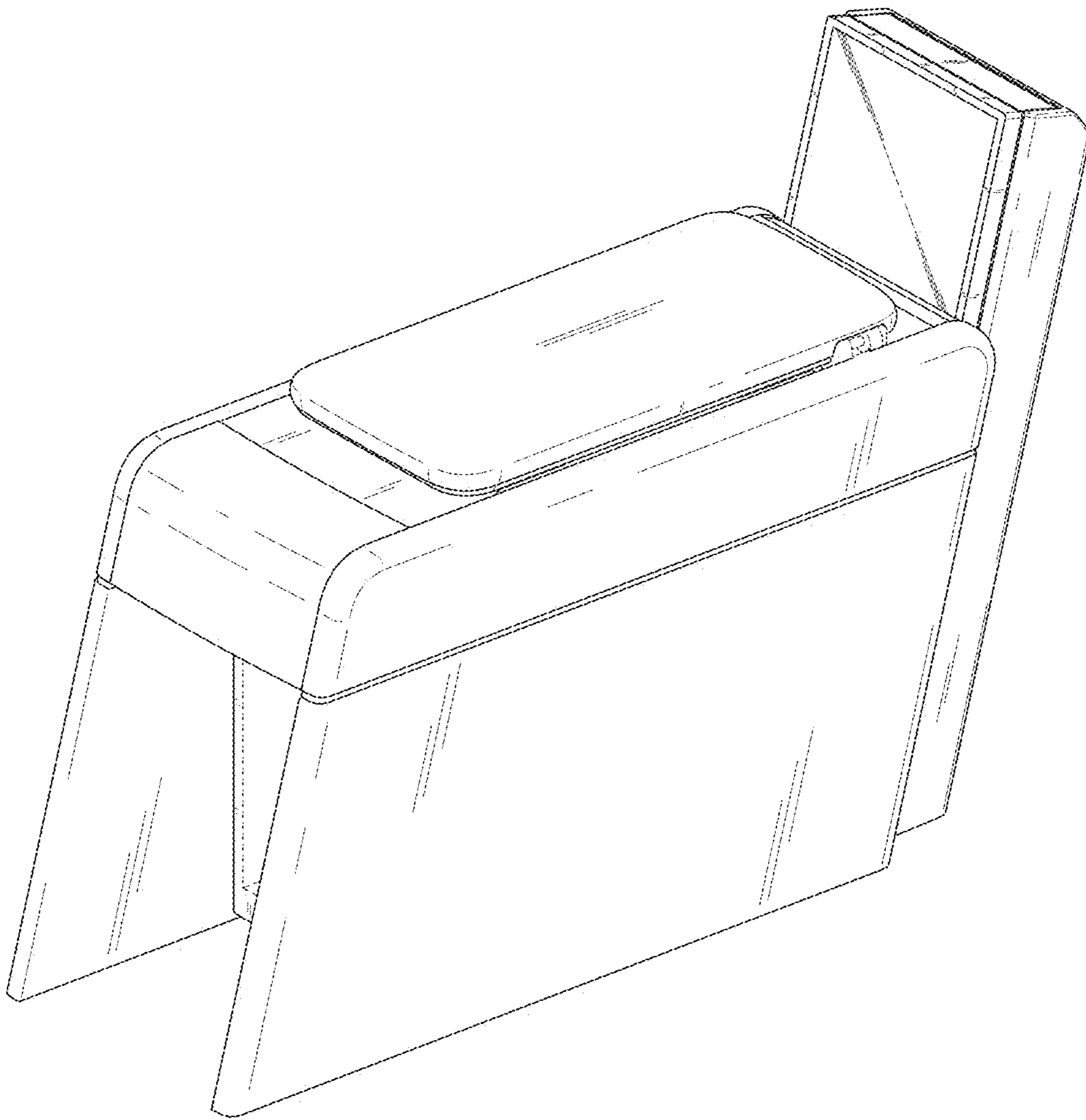


FIG. 2

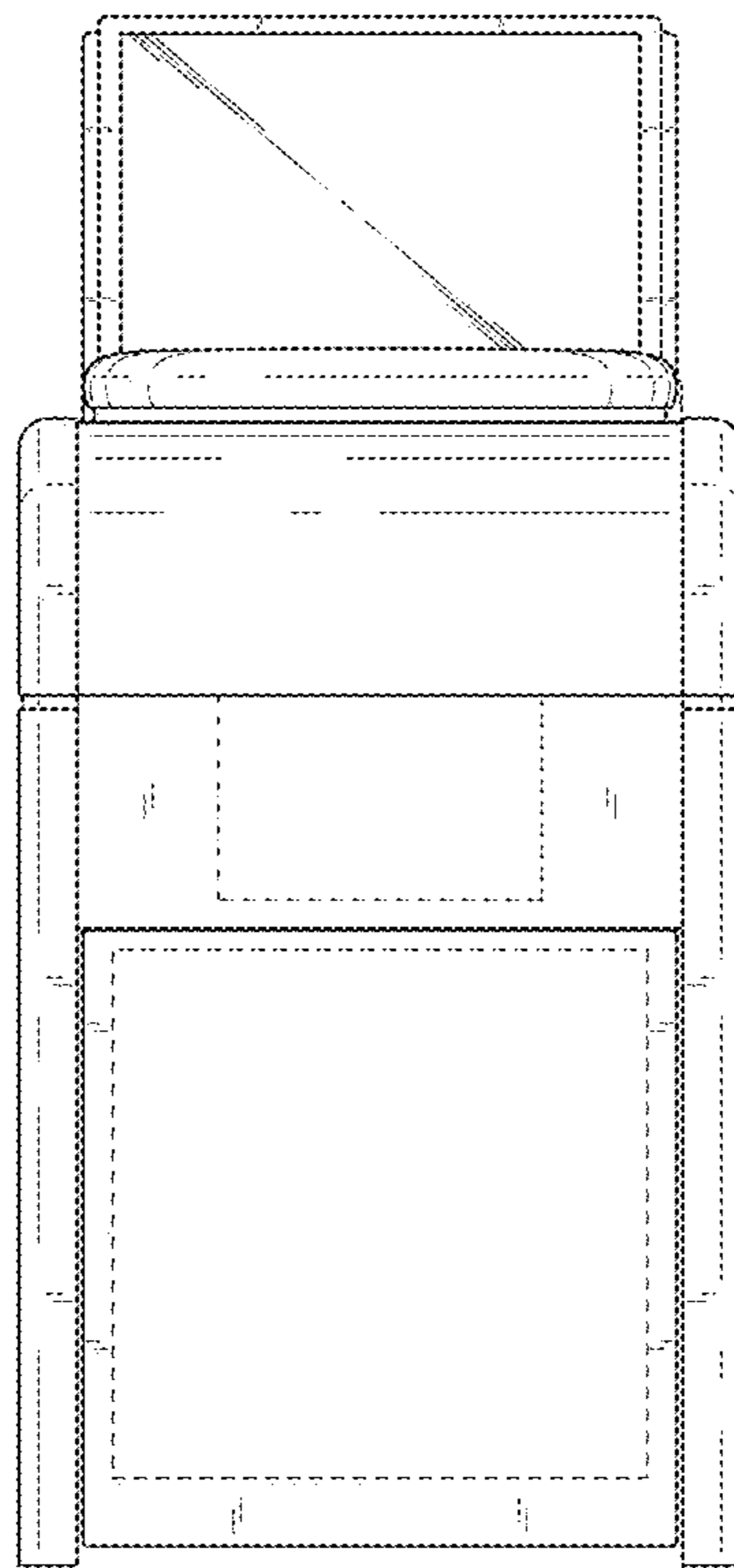


FIG. 3

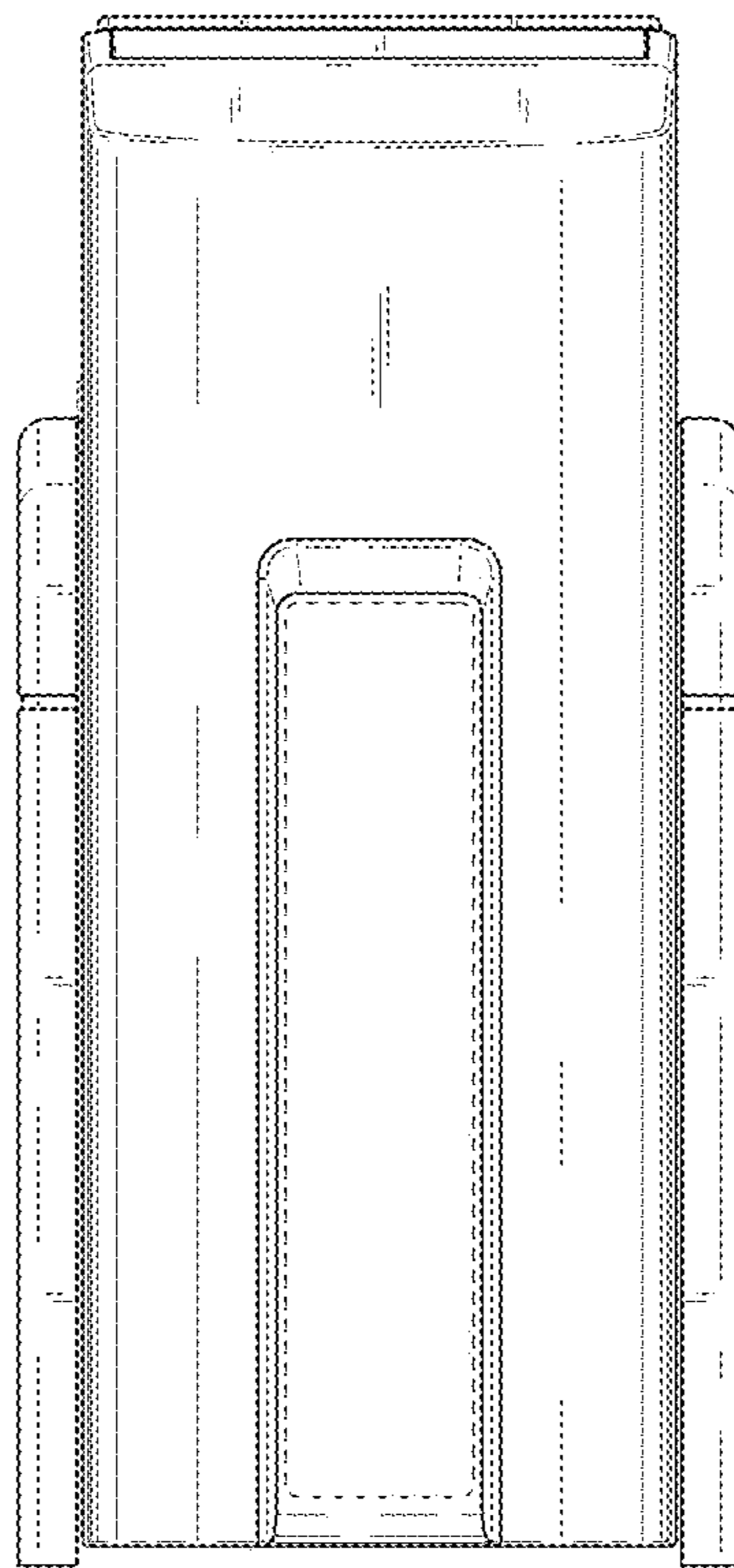


FIG. 4

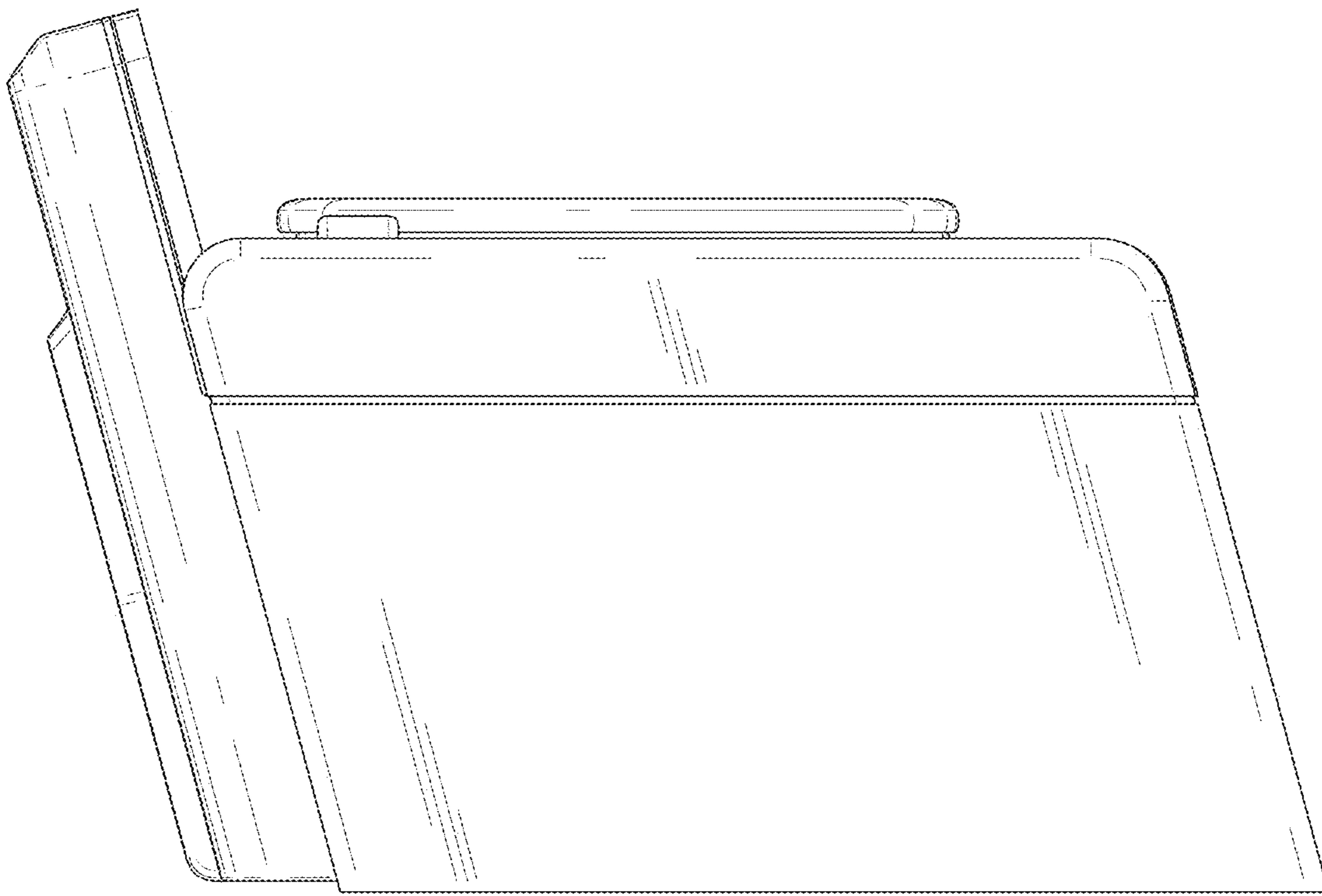


FIG. 5

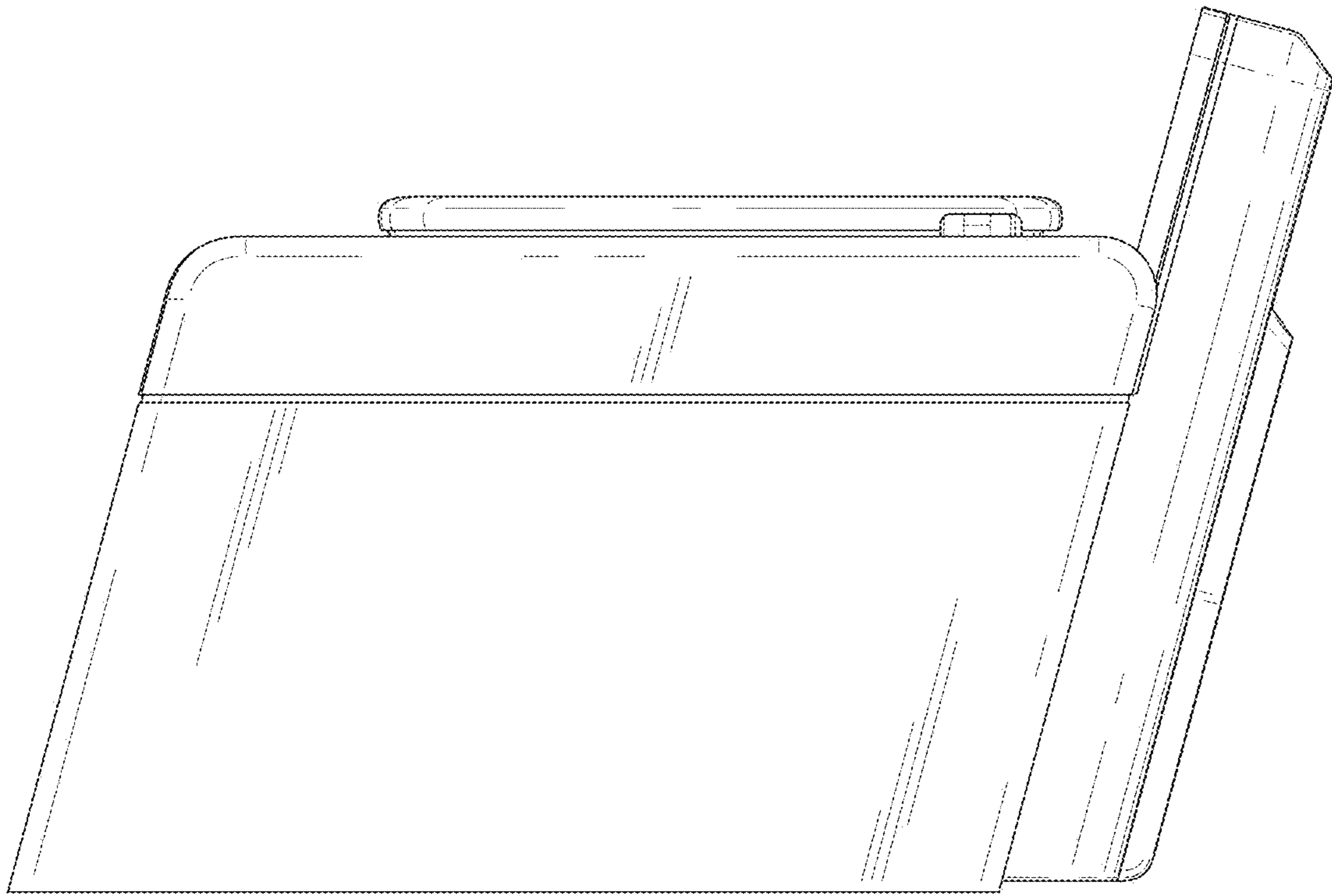


FIG. 6

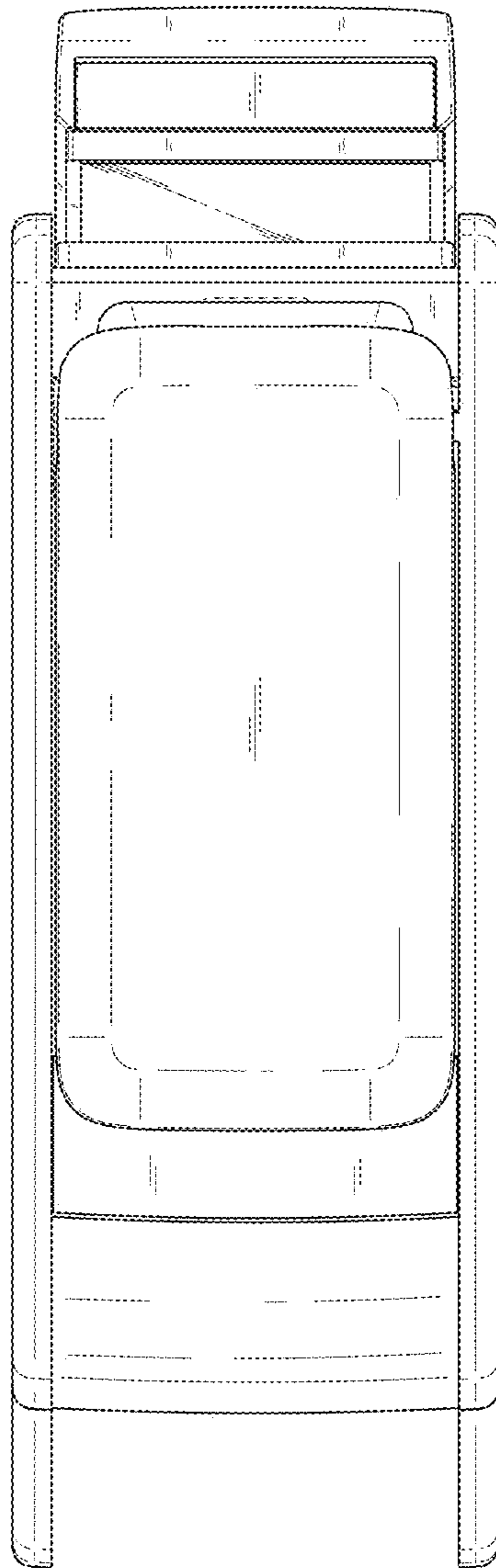


FIG. 7

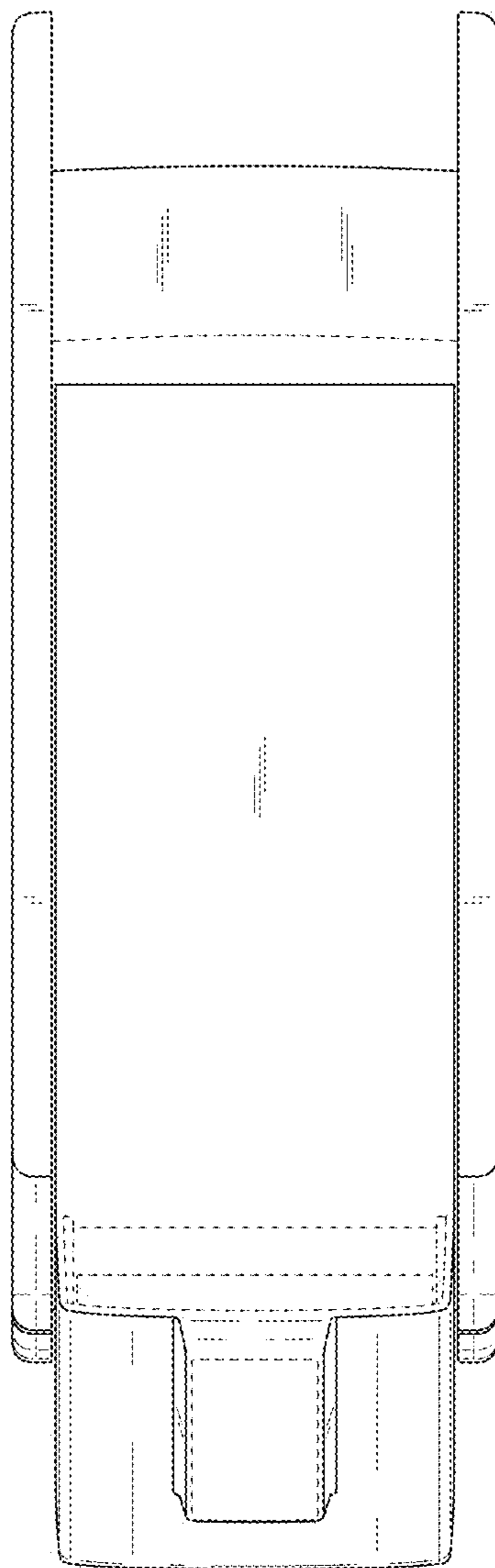


FIG. 8

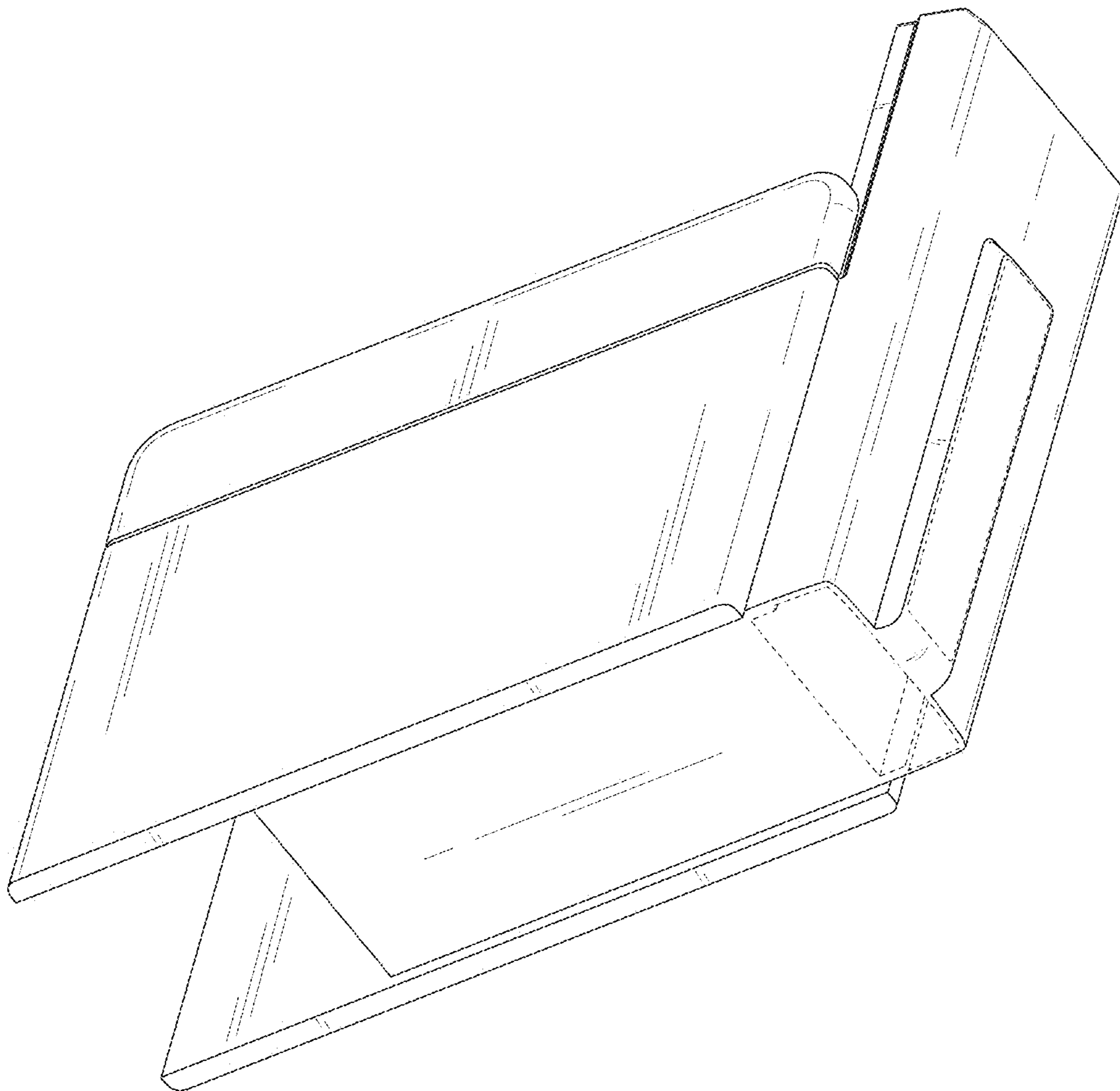


FIG. 9

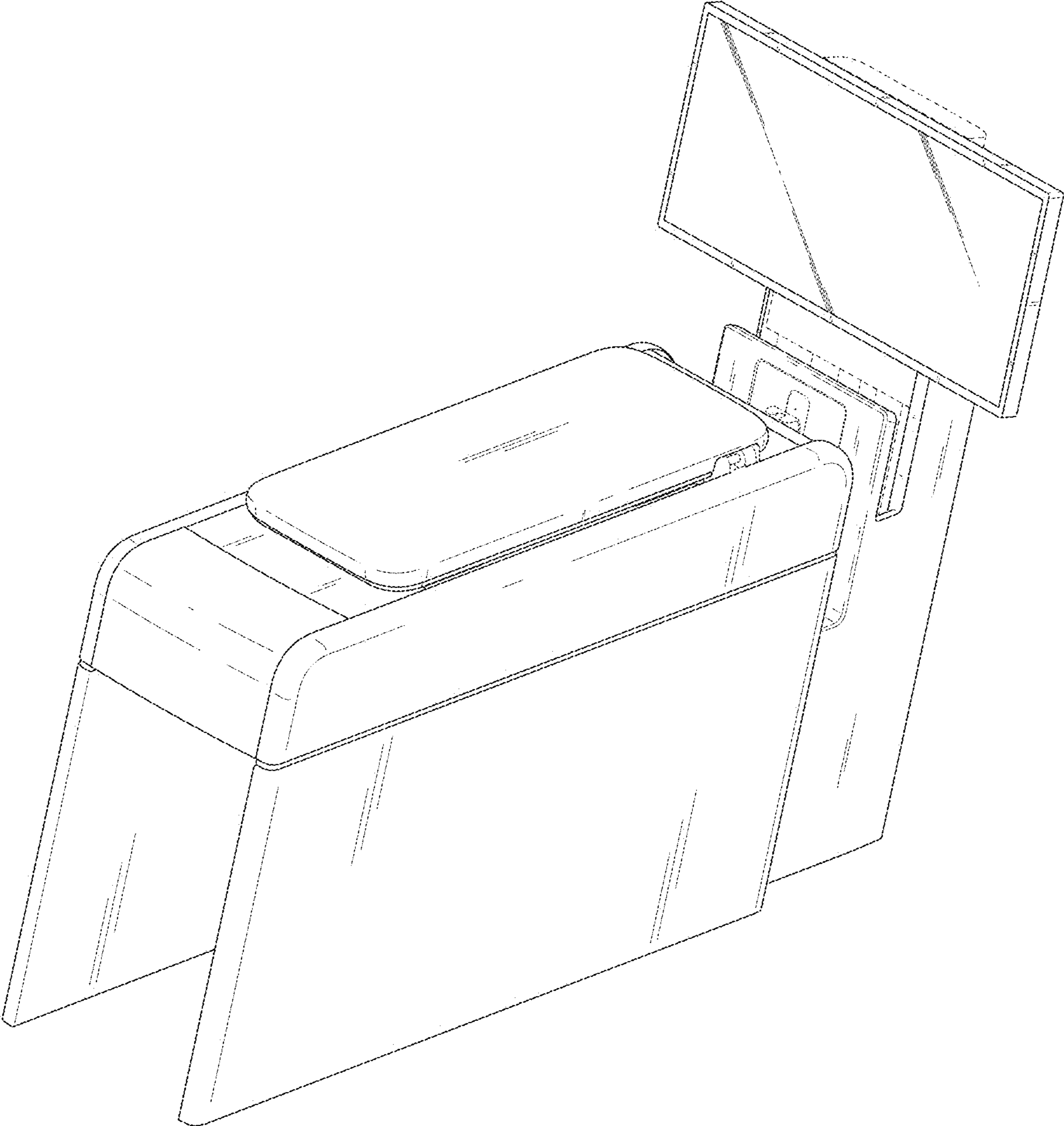


FIG. 10

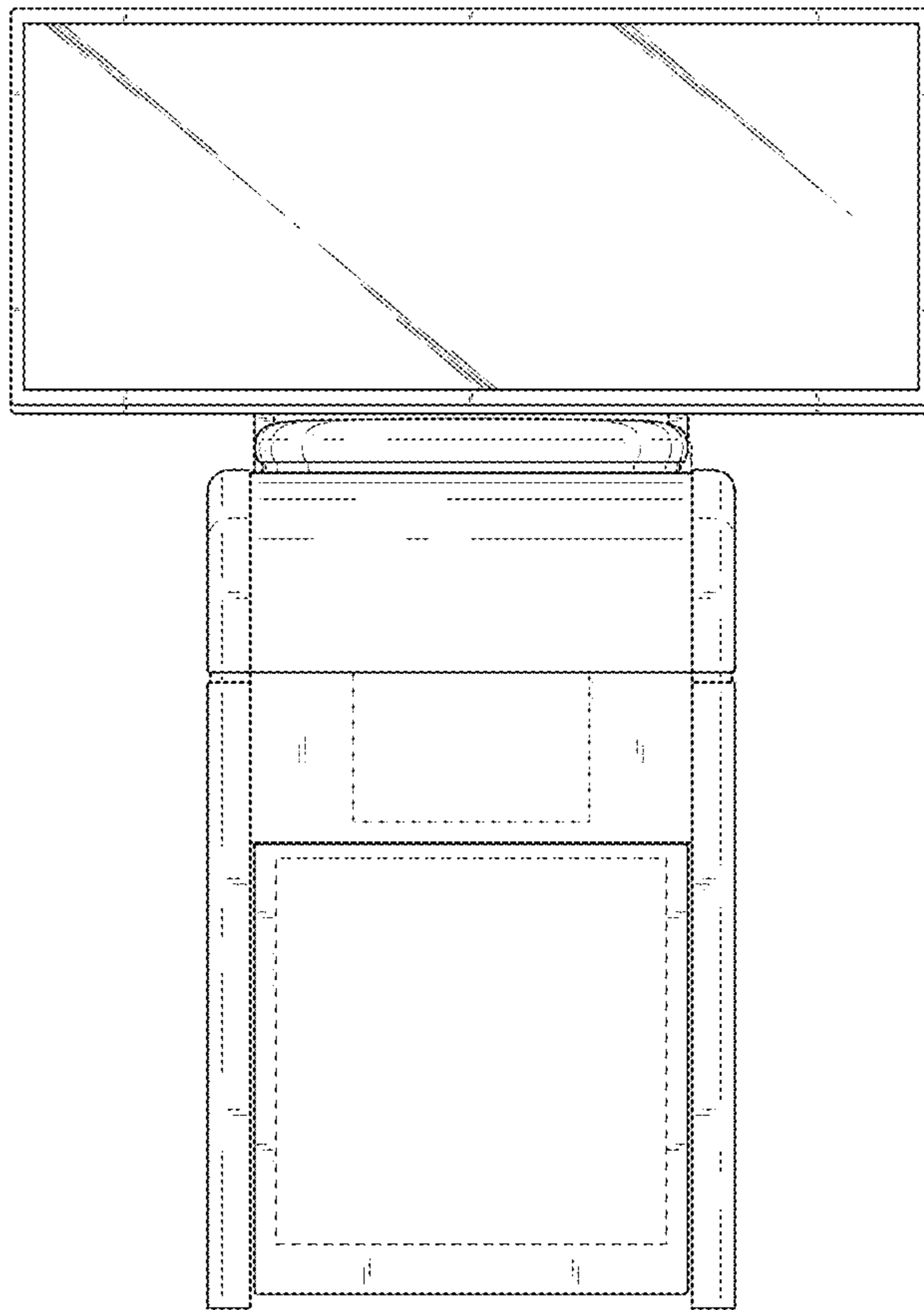


FIG. 11

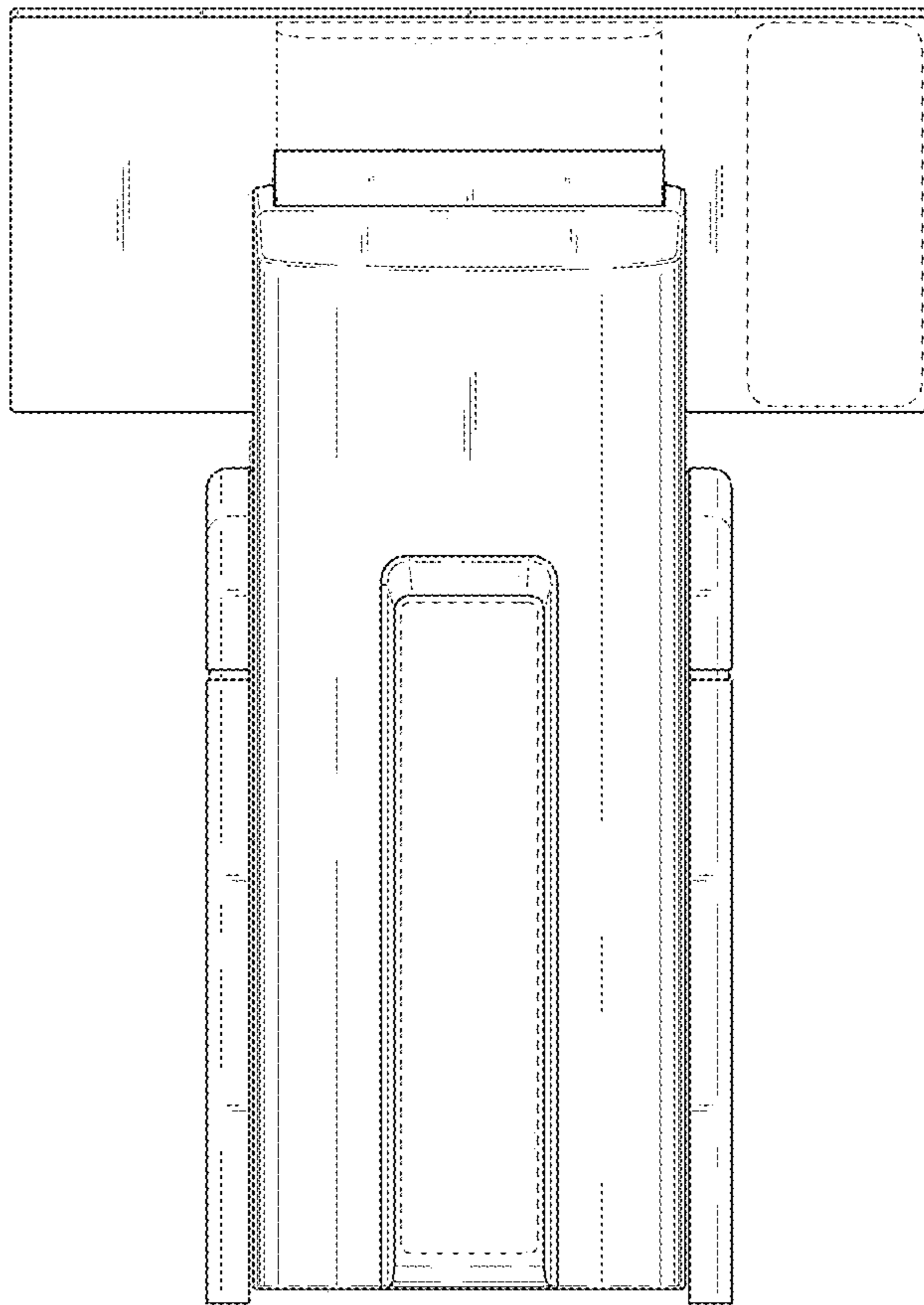


FIG. 12

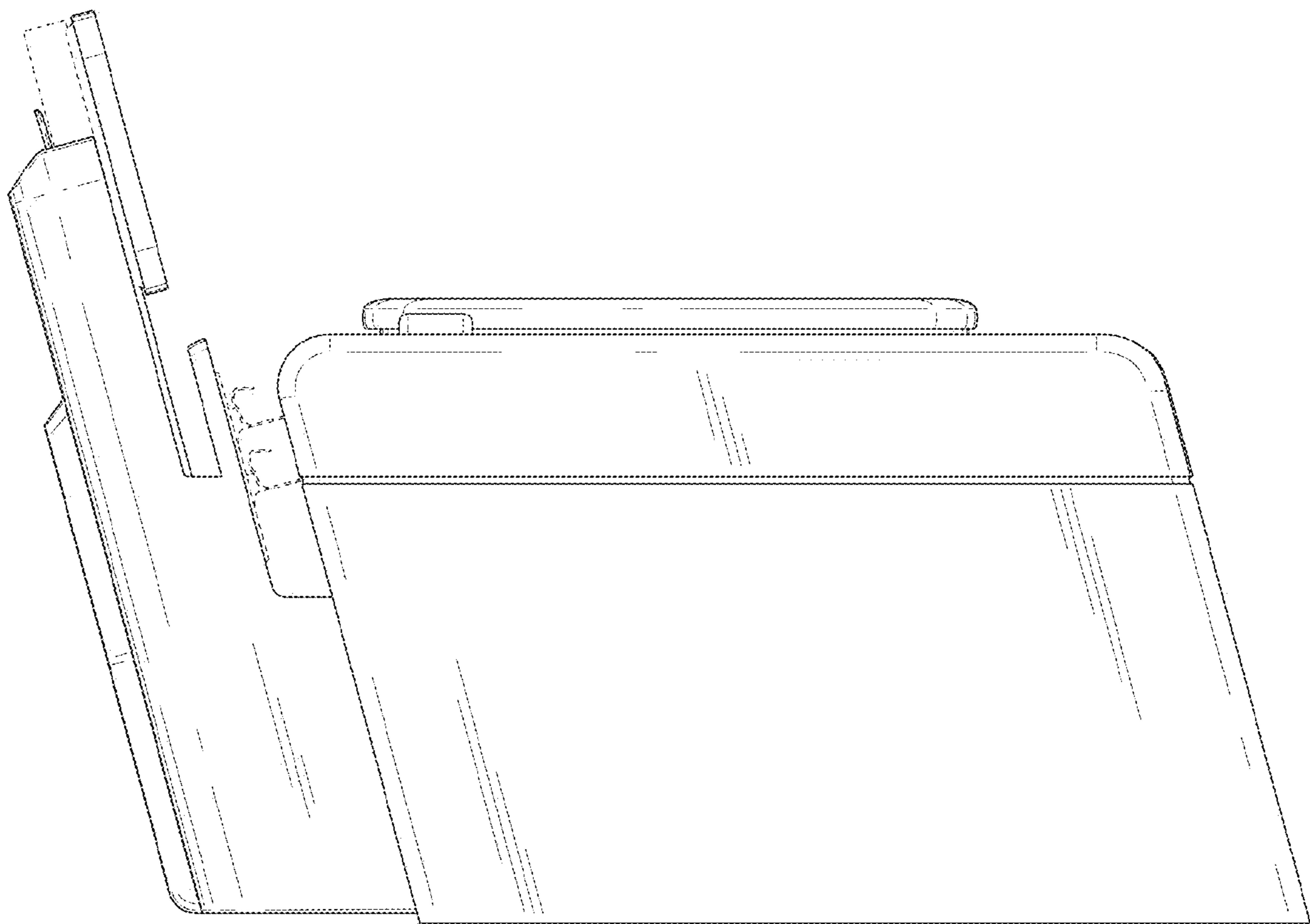


FIG. 13

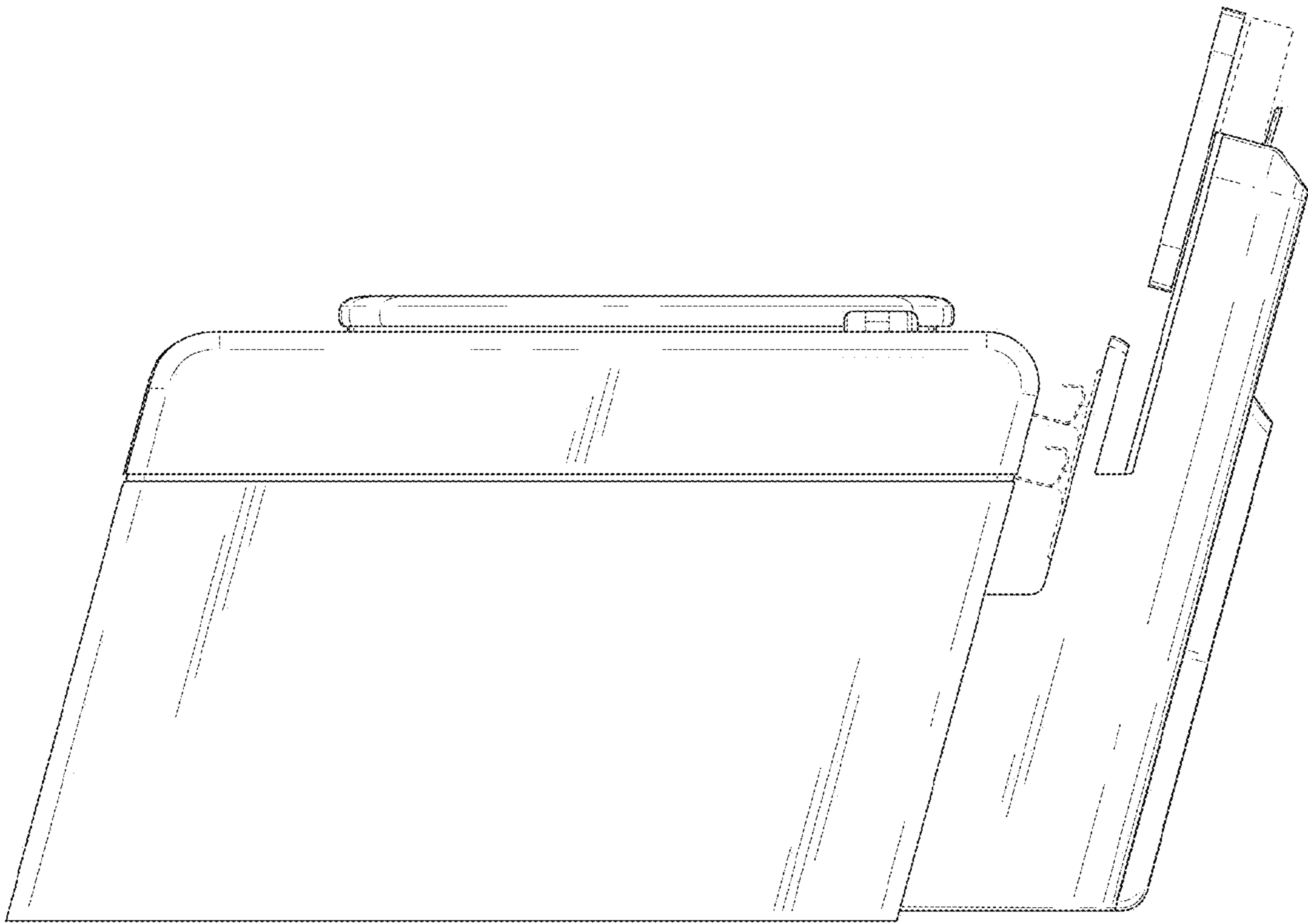


FIG. 14

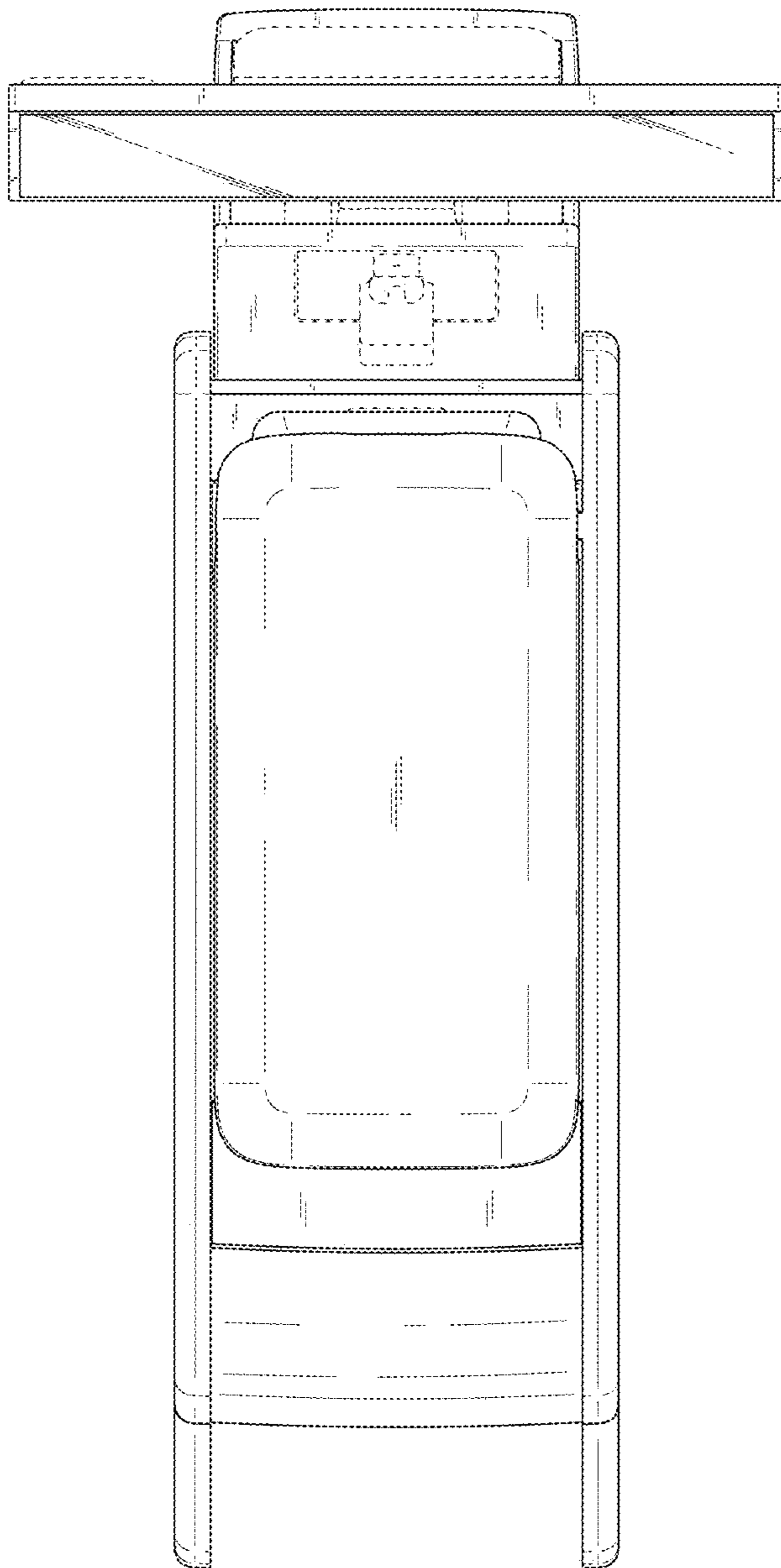


FIG. 15

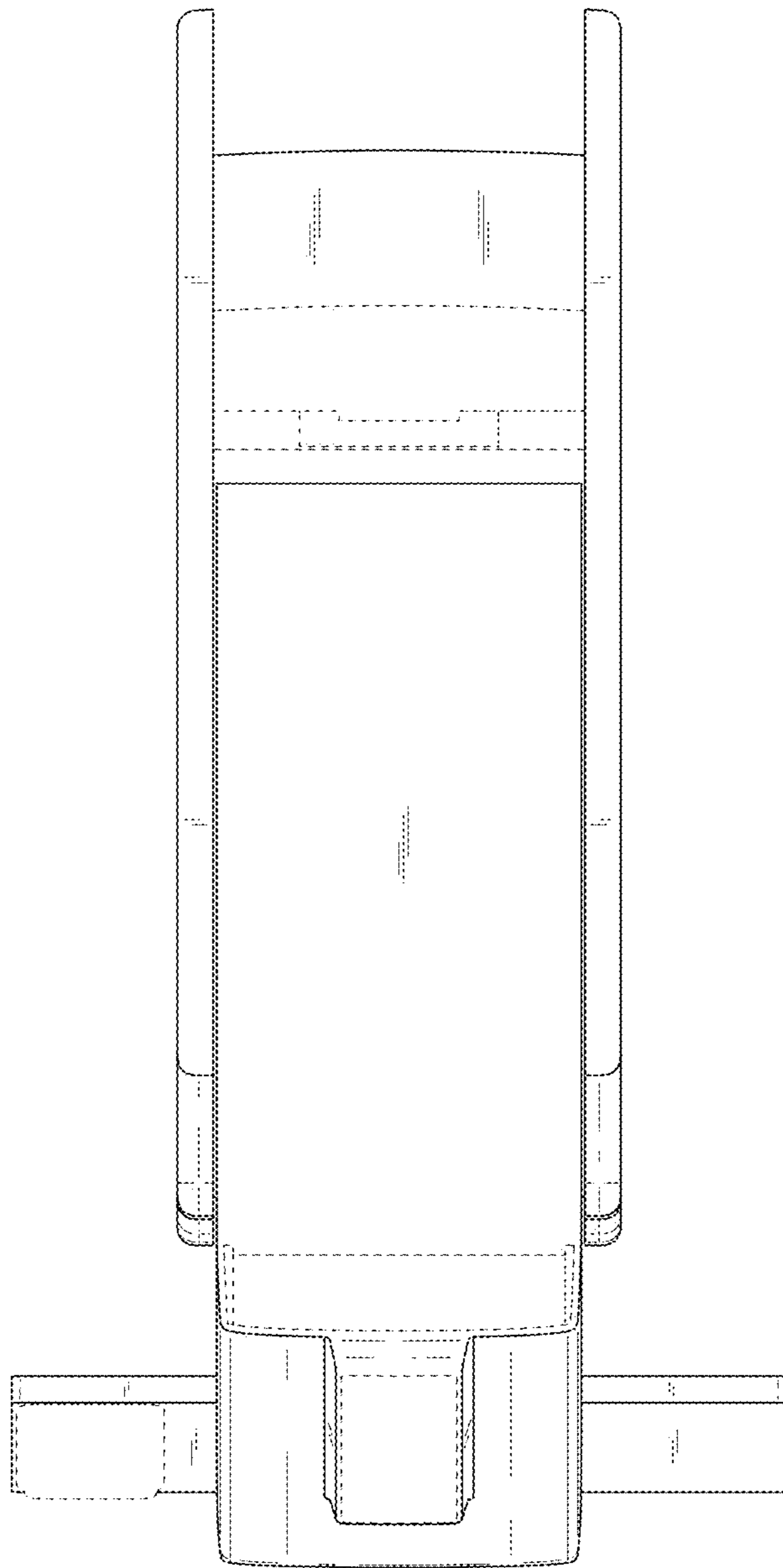
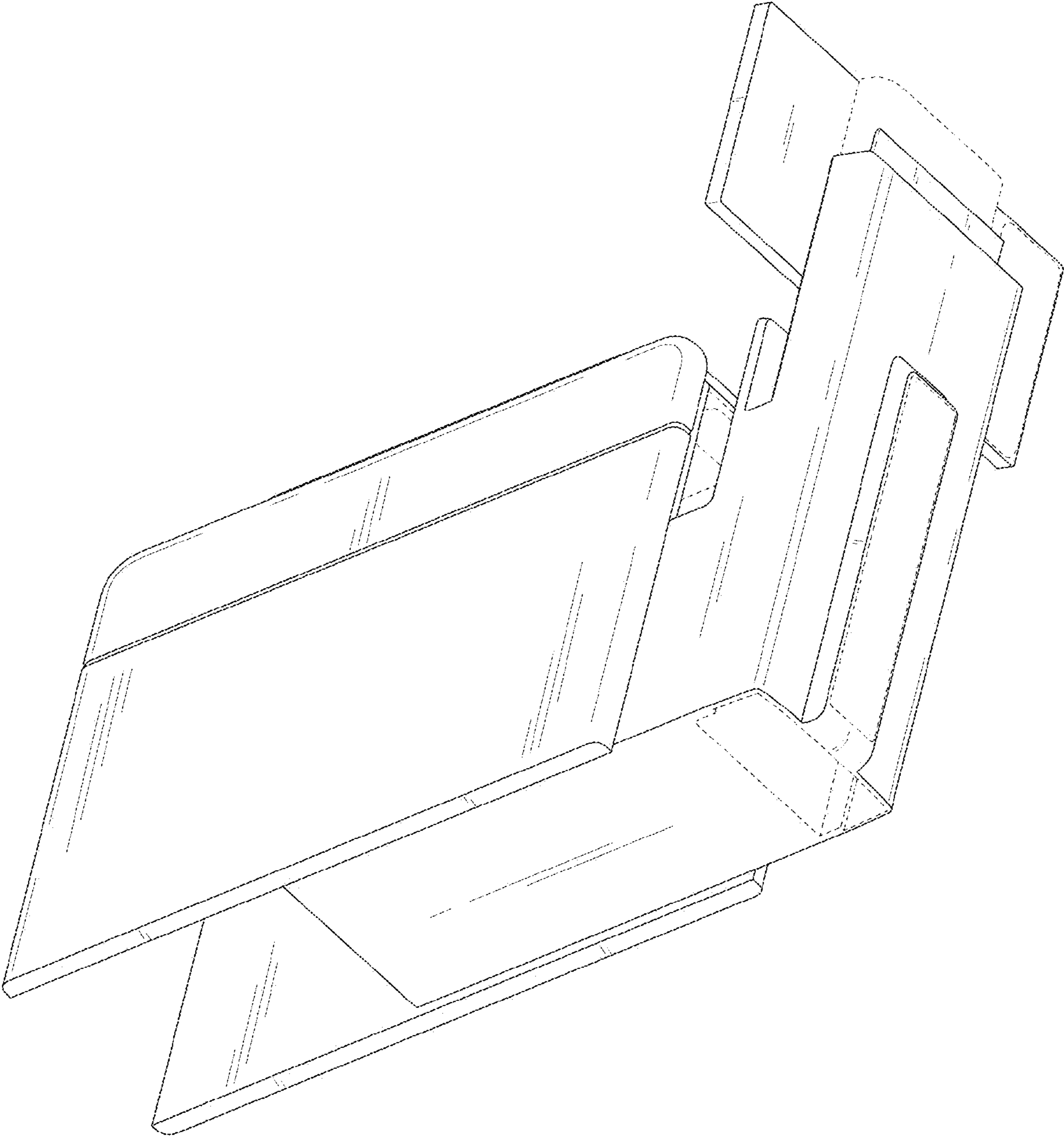


FIG. 16



UNITED STATES PATENT AND TRADEMARK OFFICE
CERTIFICATE OF CORRECTION

PATENT NO. : D986,144 S
APPLICATION NO. : 29/797779
DATED : May 16, 2023
INVENTOR(S) : Kwan-Jun Ryu et al.

Page 1 of 1

It is certified that error appears in the above-identified patent and that said Letters Patent is hereby corrected as shown below:

On the Title Page

Item (73), the Assignee should read:

“SAMSUNG ELECTRONICS CO., LTD., Suwon-si (KR)”

Signed and Sealed this
Twenty-fifth Day of July, 2023
Katherine Kelly Vidal

Katherine Kelly Vidal
Director of the United States Patent and Trademark Office