



US00D986143S

(12) **United States Design Patent** (10) **Patent No.:** **US D986,143 S**
Hanstock (45) **Date of Patent:** **** May 16, 2023**

(54) **INSTRUMENT PANEL**
(71) Applicant: **Jaguar Land Rover Limited**, Whitley
Coventry (GB)
(72) Inventor: **Paul Hanstock**, Whitley Coventry (GB)
(73) Assignee: **Jaguar Land Rover Limited**, Whitley
Coventry (GB)

D940,619 S * 1/2022 Jimenez D12/192
D947,090 S * 3/2022 Chergosky D12/192
D948,399 S * 4/2022 Noshiro D12/192
D953,228 S * 5/2022 Schneider D12/192
D953,229 S * 5/2022 Schneider D12/192
D960,797 S * 8/2022 Finney D12/192
D963,541 S * 9/2022 Matsuo D12/192
D965,494 S * 10/2022 Nakamura D12/192
D968,292 S * 11/2022 Benjamin D12/192
D969,045 S * 11/2022 Okabe D12/192
D969,046 S * 11/2022 Hu D12/192

(**) Term: **15 Years**
(21) Appl. No.: **29/786,563**
(22) Filed: **Jun. 1, 2021**

* cited by examiner
Primary Examiner — Katrina A Betton
(74) *Attorney, Agent, or Firm* — Wood Herron & Evans
LLP

(30) **Foreign Application Priority Data**

Dec. 3, 2020 (EM) 008308522-0001

(51) **LOC (14) Cl.** **12-16**
(52) **U.S. Cl.**
USPC **D12/192**

(58) **Field of Classification Search**
USPC D12/192, 415, 114, 345; D15/17, 28;
D10/98, 102-103, 122-127
CPC B60H 1/34; B60H 1/3407; B60H 1/3414;
B60H 1/3421; B60H 1/3428; B60H
1/3435; B60H 1/3442; B60H 1/345;
B60H 1/3457; B60H 2001/3464; B60H
2001/3471; B60H 2001/3478; B60H
2001/3485

See application file for complete search history.

(56) **References Cited**

U.S. PATENT DOCUMENTS

D932,404 S * 10/2021 Owaku D12/192
D939,414 S * 12/2021 Aizawa D12/192

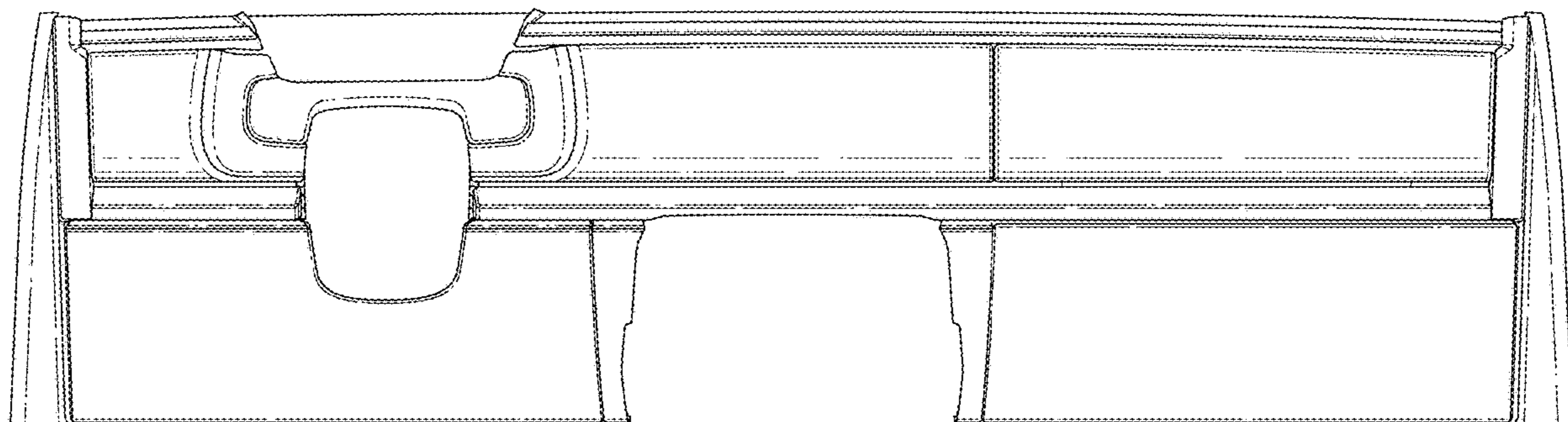
(57) **CLAIM**

The ornamental design for an instrument panel, as shown and described.

DESCRIPTION

FIG. 1 is a front left perspective view of an instrument panel according to the present invention.
FIG. 2 is a rear right perspective view of the instrument panel shown in FIG. 1.
FIG. 3 is a front view thereof.
FIG. 4 is a rear view thereof.
FIG. 5 is a left side view thereof.
FIG. 6 is a right side view thereof.
FIG. 7 is a top view thereof; and,
FIG. 8 is a bottom view thereof.

1 Claim, 7 Drawing Sheets



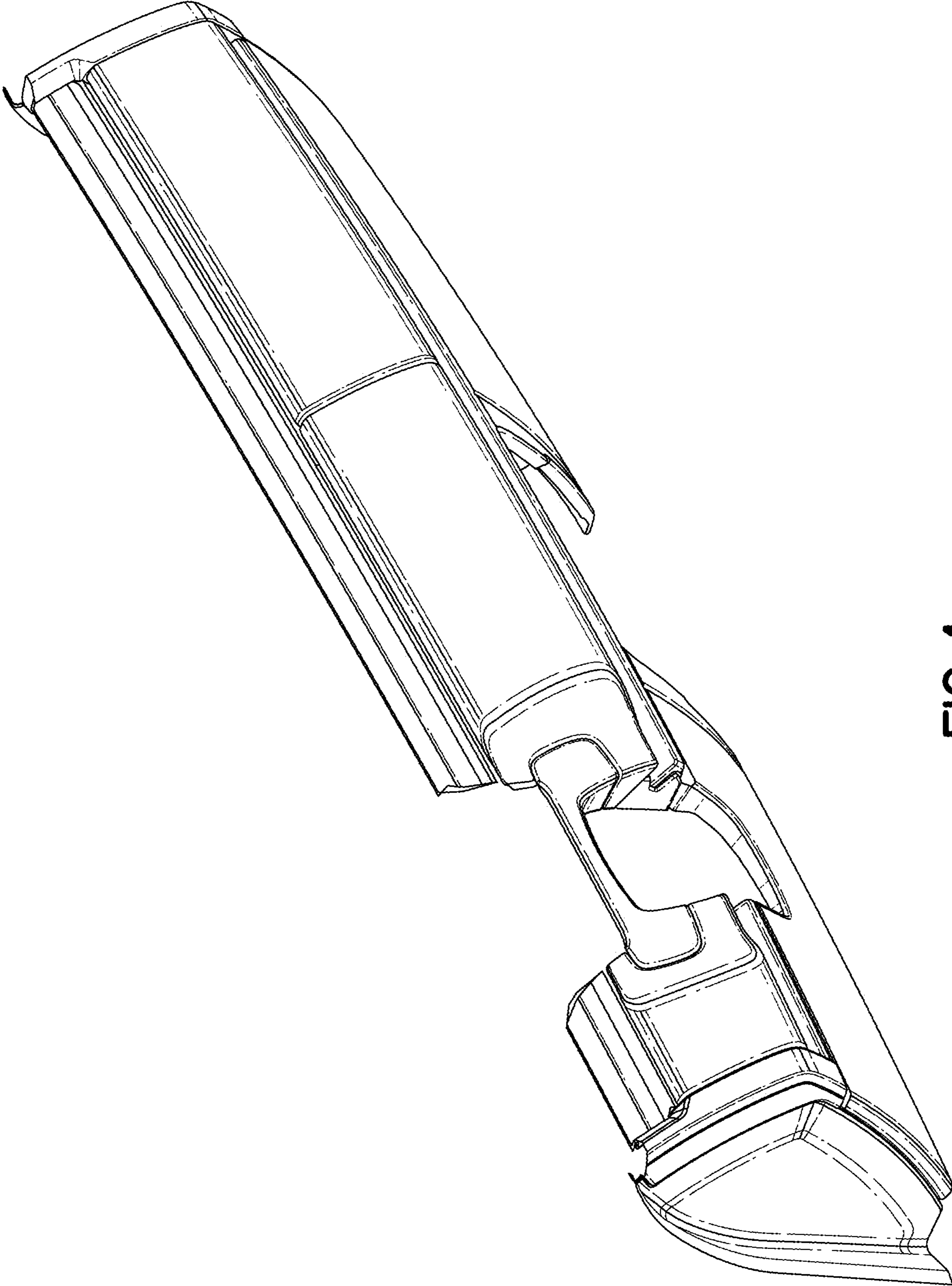


FIG. 1

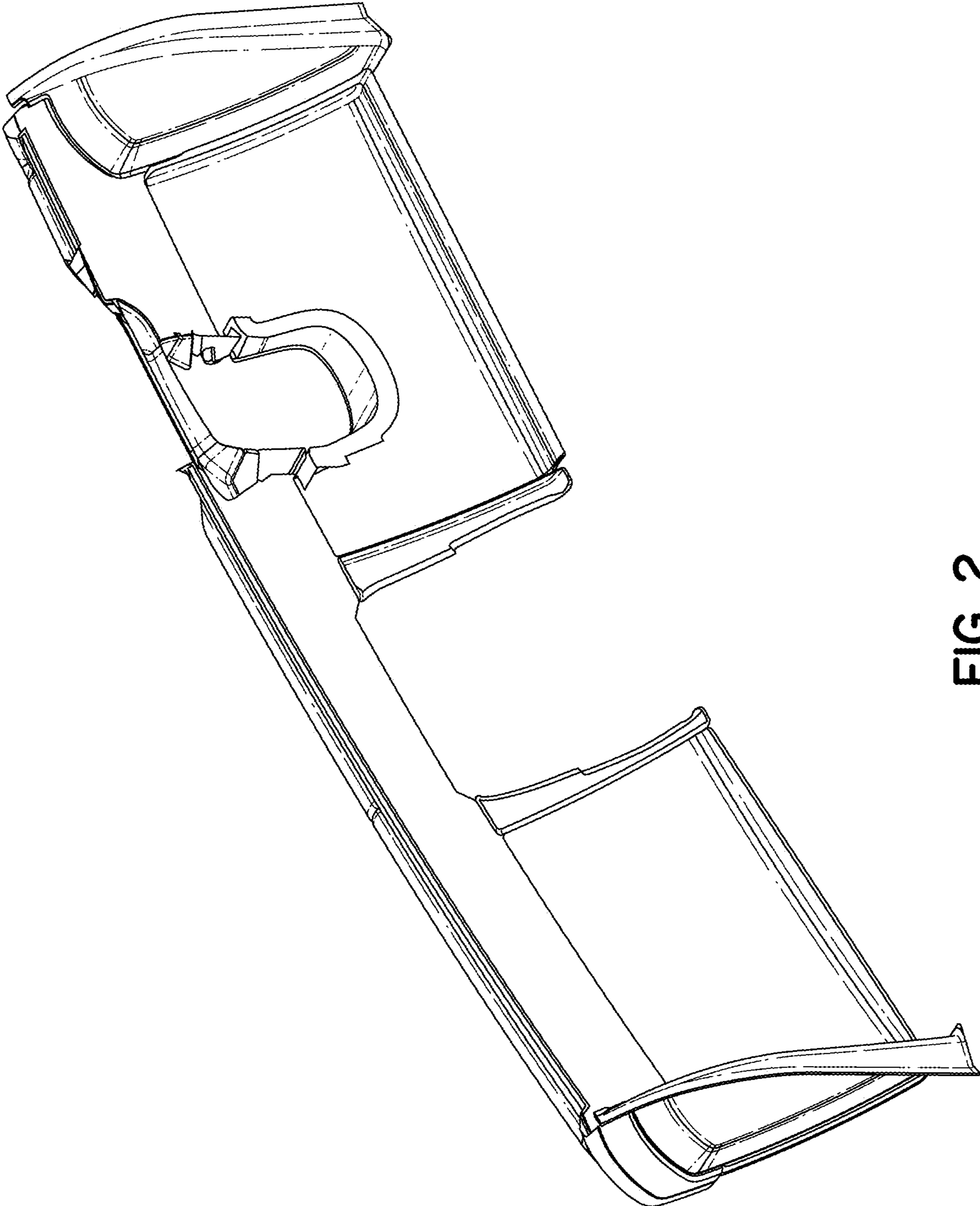


FIG. 2

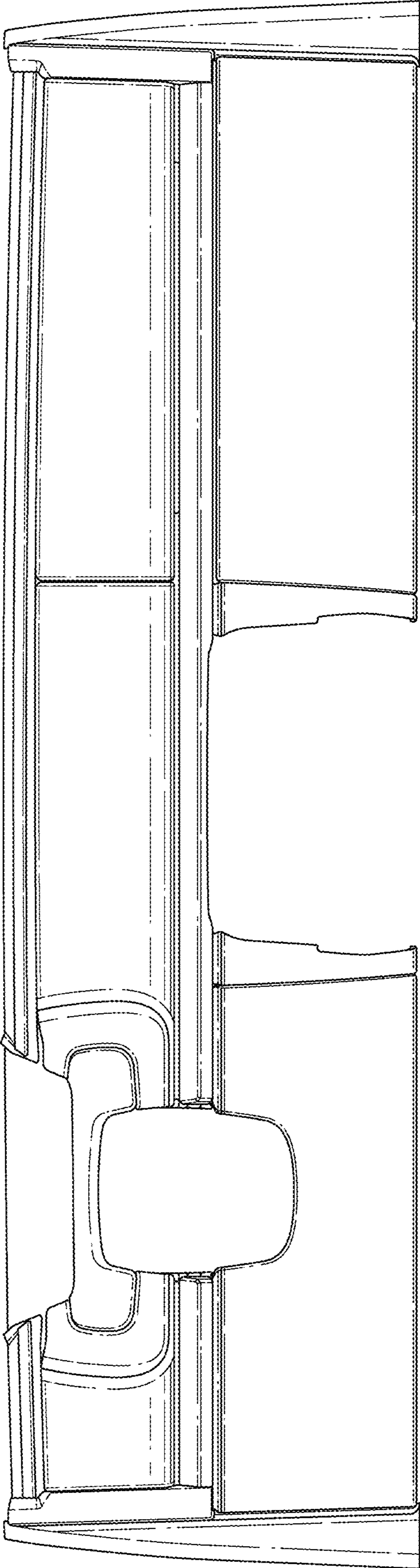


FIG. 3

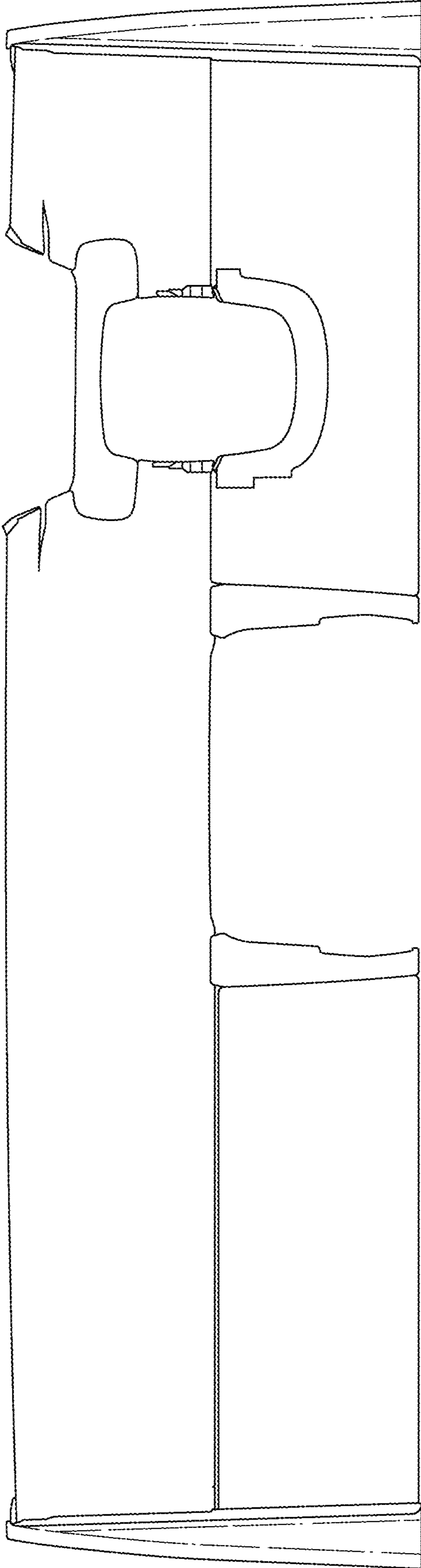


FIG. 4

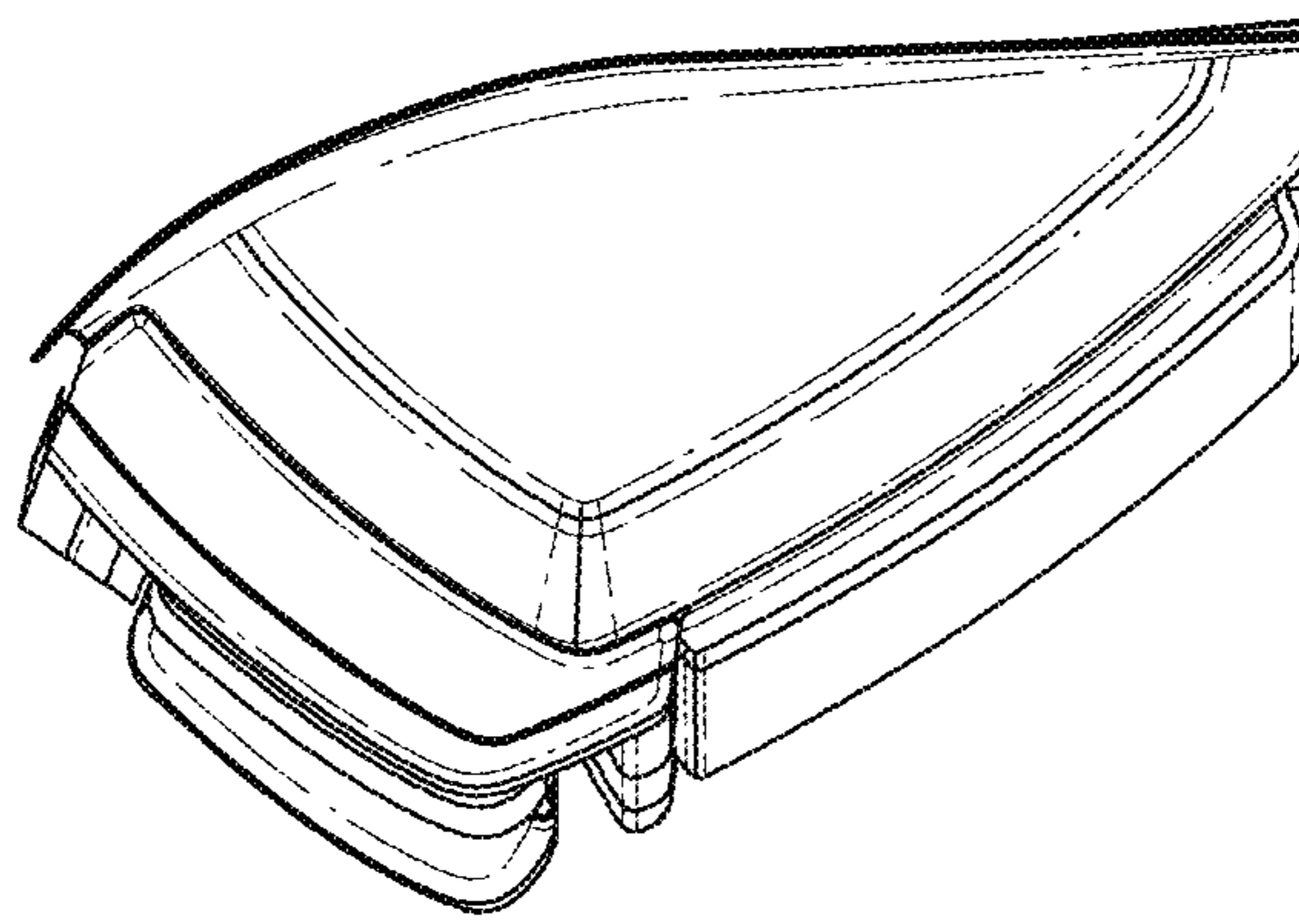


FIG. 6

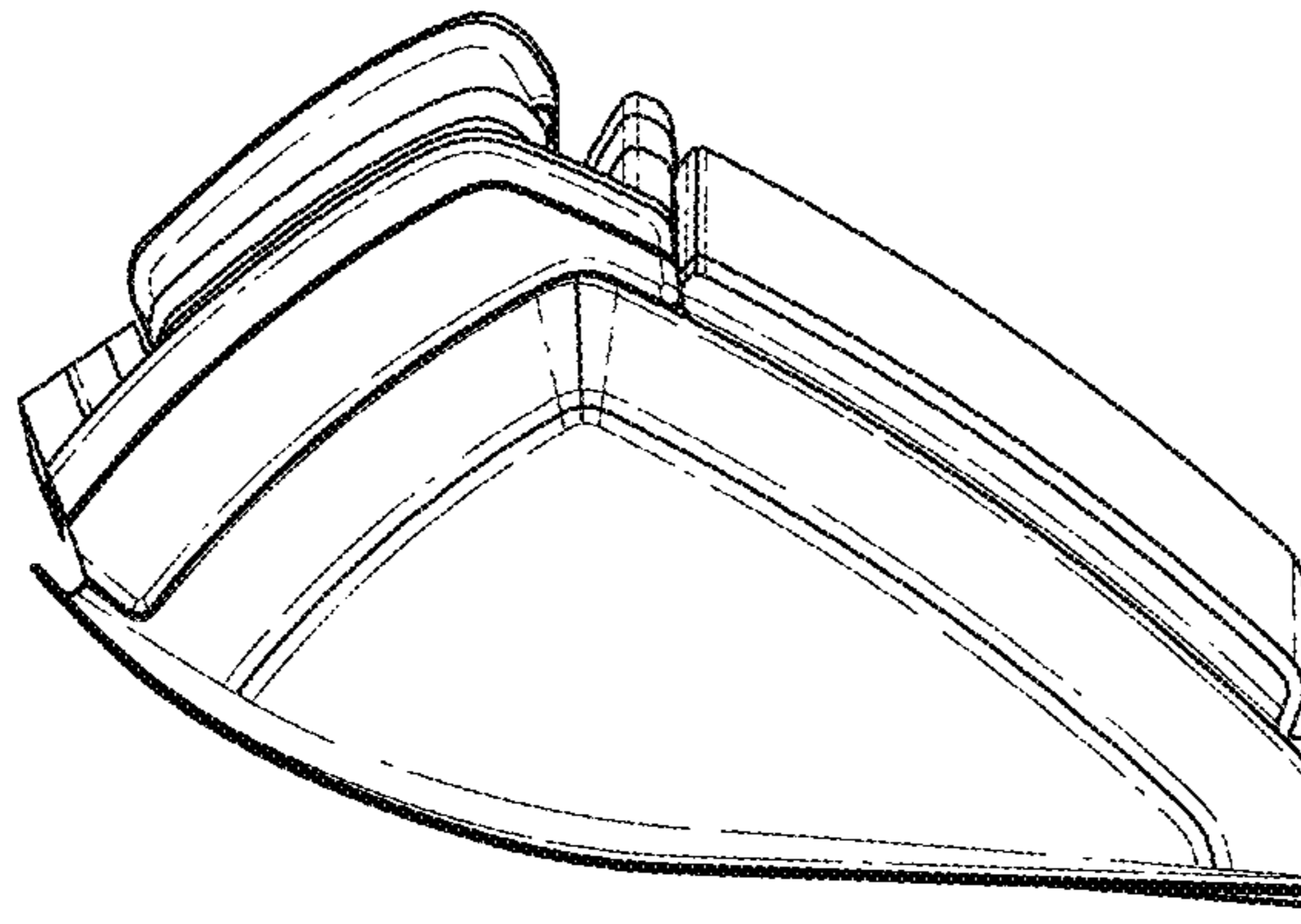


FIG. 5

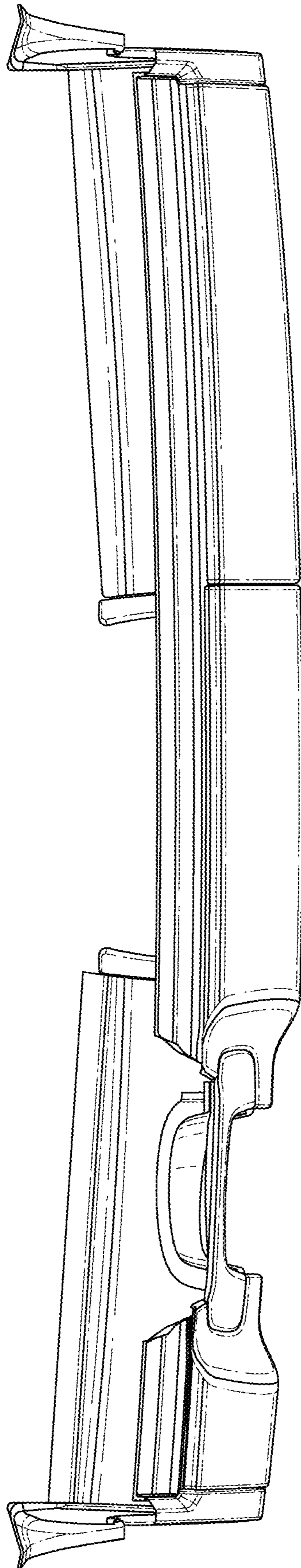


FIG. 7

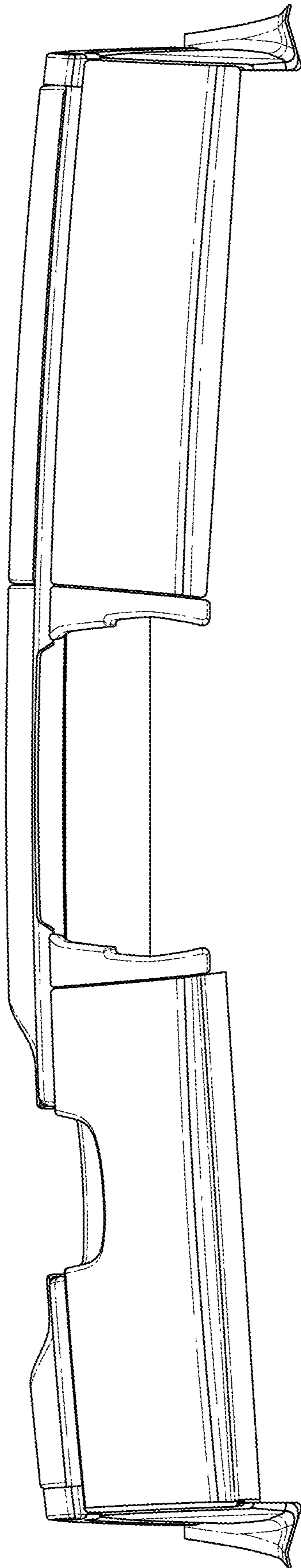


FIG. 8