



US00D986141S

(12) **United States Design Patent**  
**Alfakhrany et al.**

(10) **Patent No.:** **US D986,141 S**

(45) **Date of Patent:** **\*\* \*May 16, 2023**

- (54) **SIDE RAIL**
- (71) Applicants: **Tarek Alfakhrany**, Eastern Creek (AU); **Adam Connellan**, Eastern Creek (AU)
- (72) Inventors: **Tarek Alfakhrany**, Eastern Creek (AU); **Adam Connellan**, Eastern Creek (AU)
- (73) Assignee: **Rhino Rack Australia PTY Limited**, Eastern Creek (AU)

- 6,309,006 B1 \* 10/2001 Rippberger ..... B60P 7/0815  
296/100.18
- D491,878 S \* 6/2004 Wheatley ..... D12/414
- D497,589 S \* 10/2004 Elwell ..... D12/414
- D500,471 S \* 1/2005 Wheatley ..... D12/414
- D546,756 S \* 7/2007 Marquez ..... D12/414
- D635,910 S \* 4/2011 Case ..... D12/414
- D673,890 S \* 1/2013 Bundy ..... D12/203
- D694,700 S \* 12/2013 Sankey ..... D12/414
- D765,578 S \* 9/2016 Cobb ..... D12/414
- D811,976 S \* 3/2018 Wu ..... D12/203
- D941,205 S \* 1/2022 Miller ..... D12/203
- 2004/0240958 A1 \* 12/2004 Yang ..... B60P 7/0815  
410/106
- 2008/0083800 A1 \* 4/2008 Mathew ..... B60R 9/058  
224/322

(\*) Notice: This patent is subject to a terminal disclaimer.

(\*\*) Term: **15 Years**

(21) Appl. No.: **29/782,095**

(22) Filed: **May 4, 2021**

(30) **Foreign Application Priority Data**

Nov. 4, 2020 (AU) ..... 202015990

(51) **LOC (14) Cl.** ..... **12-16**

(52) **U.S. Cl.**  
USPC ..... **D12/414**

(58) **Field of Classification Search**  
USPC ..... D12/203, 162, 89, 190, 406, 412, 414;  
D6/317-319, 513-514  
CPC ..... B60R 9/058; B60P 7/0815  
See application file for complete search history.

(56) **References Cited**

**U.S. PATENT DOCUMENTS**

- D295,619 S \* 5/1988 Reeve ..... D12/414
- D333,808 S \* 3/1993 Cucheran ..... D12/414
- D382,533 S \* 8/1997 Okland ..... D12/414
- 5,904,458 A \* 5/1999 Bundy ..... B60P 7/0815  
410/101

\* cited by examiner

*Primary Examiner* — Susan E Krakower

*Assistant Examiner* — Jerry Shiu-an-Hua Hsu

(74) *Attorney, Agent, or Firm* — Thomas M. Galgano, Esq.; Galgano IP Law PLLC

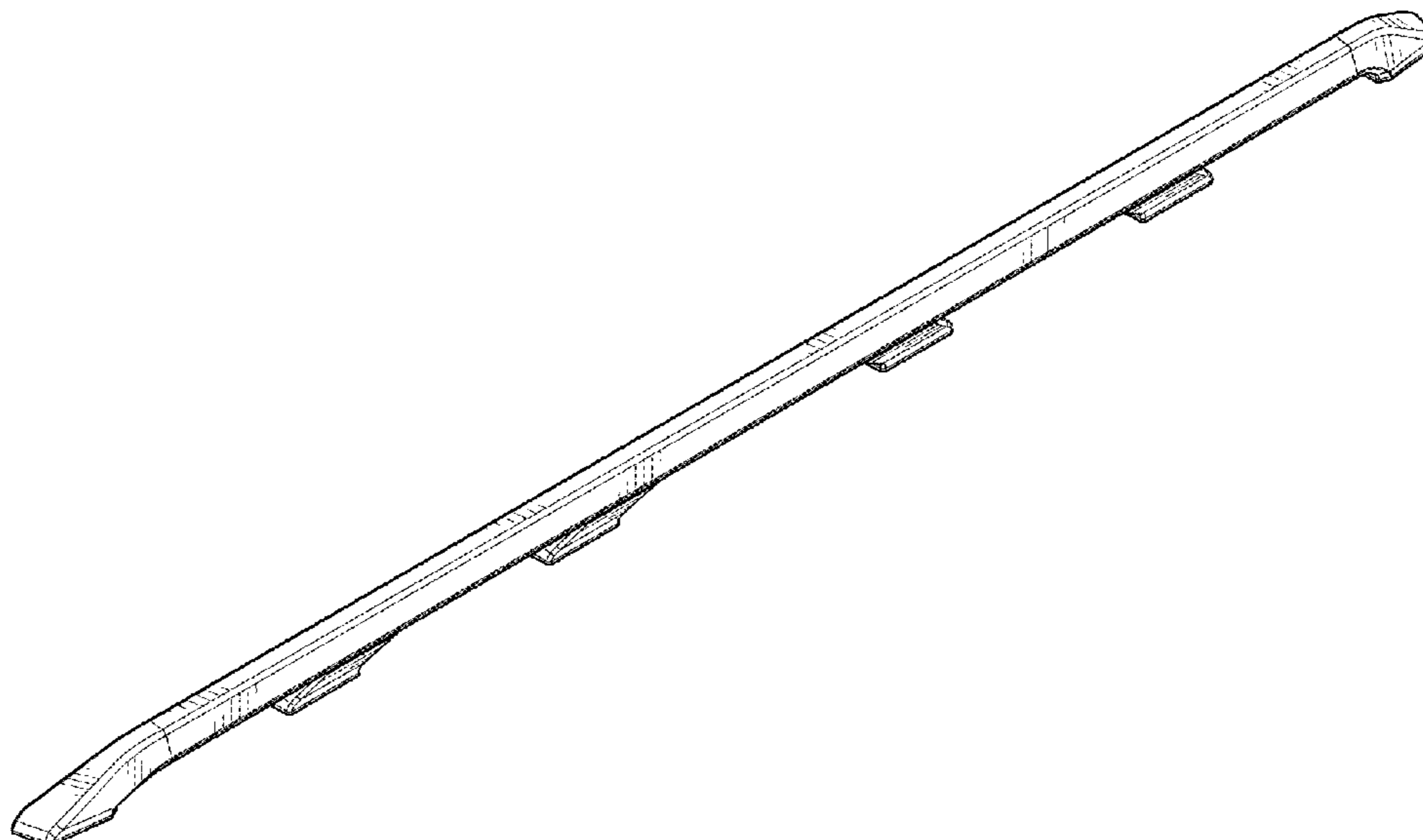
(57) **CLAIM**

The ornamental design for a side rail, as shown and described.

**DESCRIPTION**

FIG. 1 is a top, front, right side perspective view of the side rail of the present design;  
 FIG. 2 is a top, front, left side perspective view thereof;  
 FIG. 3 is a bottom, front, left side perspective view thereof;  
 FIG. 4 is a front view thereof;  
 FIG. 5 is a rear view thereof;  
 FIG. 6 is a top view thereof;  
 FIG. 7 is a bottom view thereof;  
 FIG. 8 is a right side view thereof; and,  
 FIG. 9 is a left side view thereof.  
 The broken lines illustrate portions of the side rail which form no part of the claimed design.

**1 Claim, 4 Drawing Sheets**



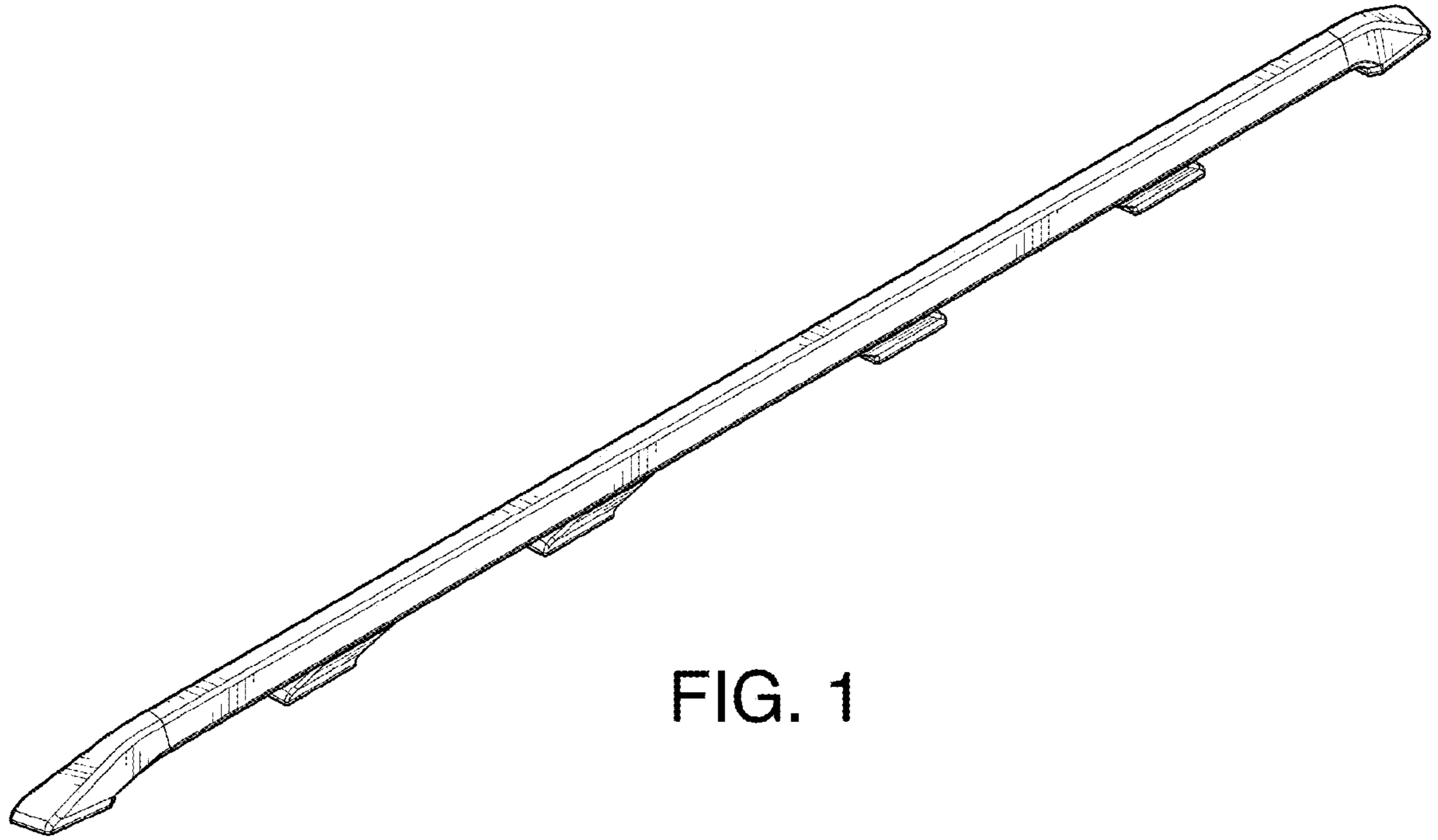


FIG. 1

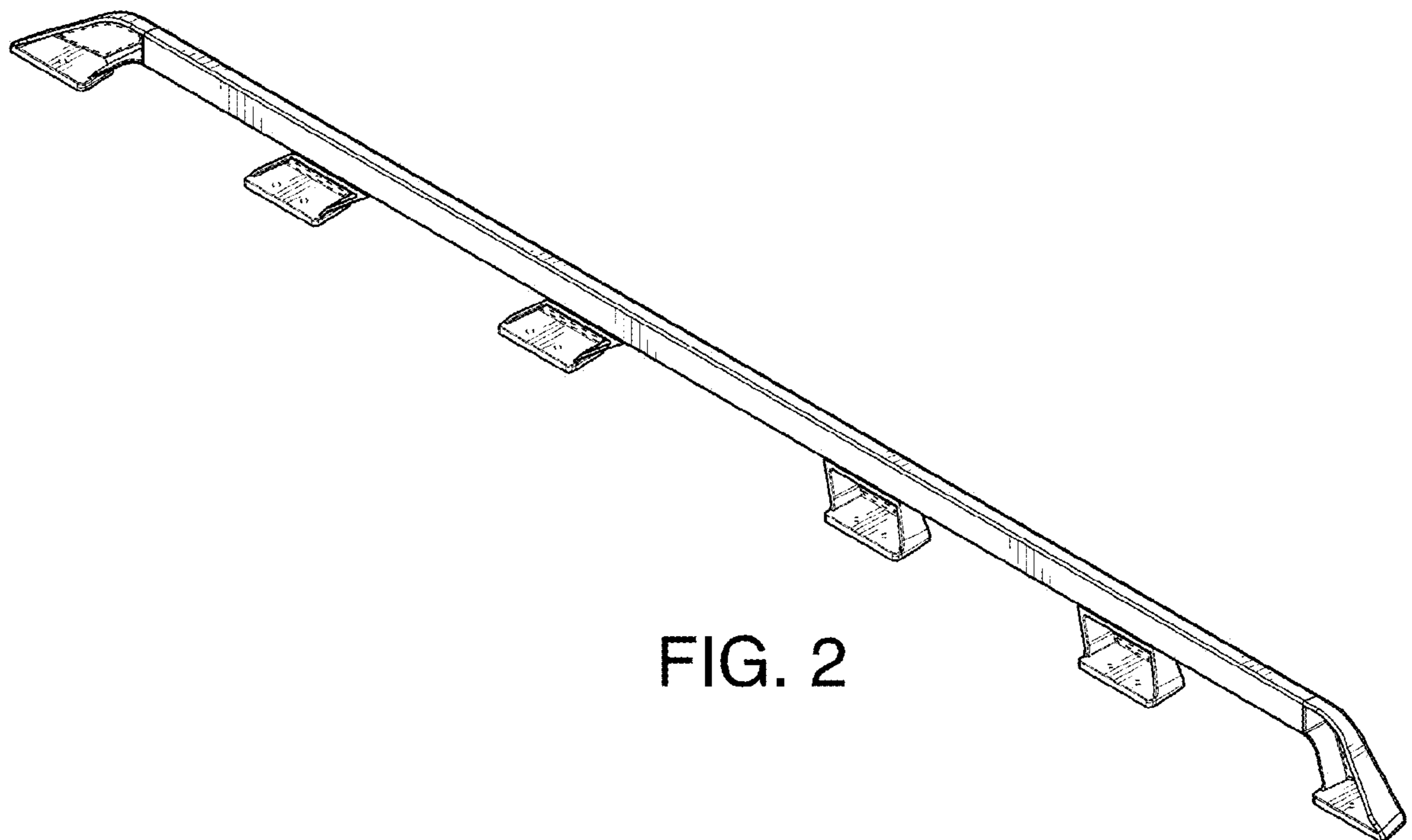


FIG. 2

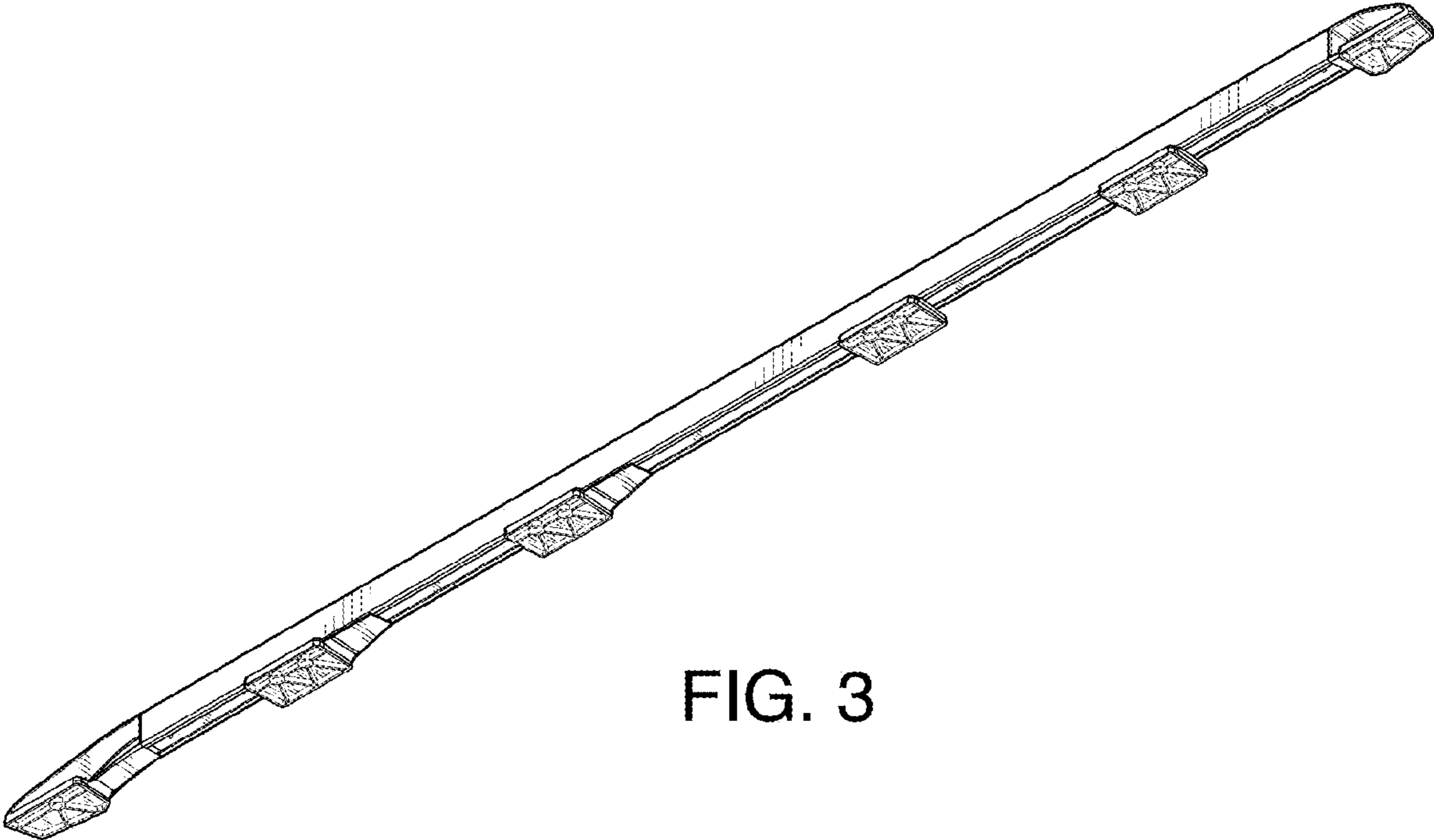


FIG. 3

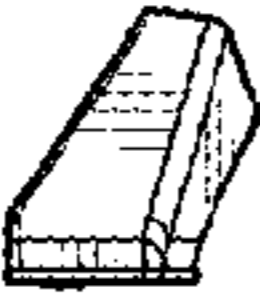


FIG. 4

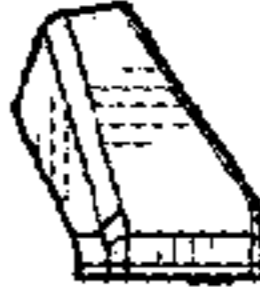


FIG. 5

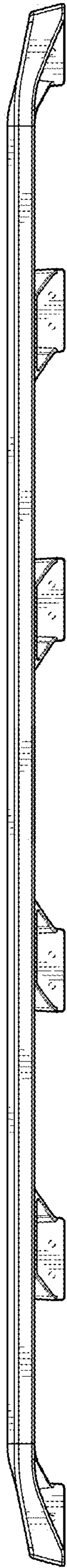


FIG. 6



FIG. 7

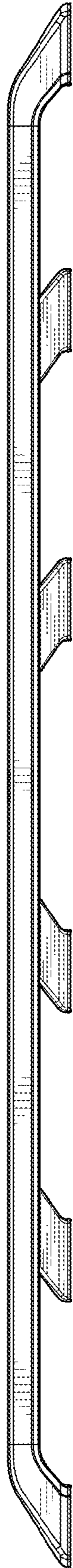


FIG. 8

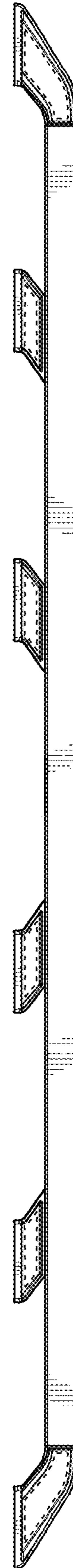


FIG. 9