



US00D986133S

(12) **United States Design Patent** (10) **Patent No.:** **US D986,133 S**  
**Taylor** (45) **Date of Patent:** **\*\* May 16, 2023**

(54) **STAND**

(71) Applicant: **365 Outdoor Gear, LLC**, Richardson, TX (US)  
(72) Inventor: **Robert Lee Taylor**, Irving, TX (US)  
(73) Assignee: **365 Outdoor Gear, LLC**, Richardson, TX (US)

(\*\*) Term: **15 Years**

(21) Appl. No.: **29/763,821**

(22) Filed: **Dec. 24, 2020**

(51) **LOC (14) Cl.** ..... **12-06**

(52) **U.S. Cl.**  
USPC ..... **D12/316**

(58) **Field of Classification Search**  
USPC ..... D22/134, 147, 199; D12/316-317  
CPC ..... A01K 91/00; A01K 91/02; A01K 91/065  
See application file for complete search history.

(56) **References Cited**

**U.S. PATENT DOCUMENTS**

941,524 A \* 11/1909 Krumsee ..... A47B 77/022  
5/315.2  
D259,603 S \* 6/1981 Gagnon ..... D6/691.7  
D273,545 S \* 4/1984 Bowman ..... D6/567  
D601,654 S \* 10/2009 Sykes ..... D22/136  
D736,342 S \* 8/2015 Flanagan ..... D22/134  
D919,553 S \* 5/2021 Pribicevich ..... D12/425  
D925,432 S \* 7/2021 Builder ..... D12/316  
D931,977 S \* 9/2021 Sullentrop ..... D22/149  
2006/0032359 A1 \* 2/2006 Smith ..... G10G 5/00  
84/327

(Continued)

**FOREIGN PATENT DOCUMENTS**

GB 6105655 \* 11/2020  
KR 301013882.0000 \* 7/2019  
WO D074173-040 \* 8/2010

**OTHER PUBLICATIONS**

Five Oceans Boat Cutting Board, Fillet Table for Boat, Bait Table Deluxe Line, available in Amazon.com, date first available Feb. 8, 2017 [online], [site visited Dec. 12, 2022], Available from the internet URL: [https://www.amazon.com/Five-Oceans-Serving-Cutting-Storage/dp/B07DS2S1JC/ref=sr\\_1\\_167\\_sspa?crd=1QSAGEJQSAU4L&k.\\*](https://www.amazon.com/Five-Oceans-Serving-Cutting-Storage/dp/B07DS2S1JC/ref=sr_1_167_sspa?crd=1QSAGEJQSAU4L&k.*)

(Continued)

*Primary Examiner* — Darlington Ly  
*Assistant Examiner* — D. Ryan Tisdale

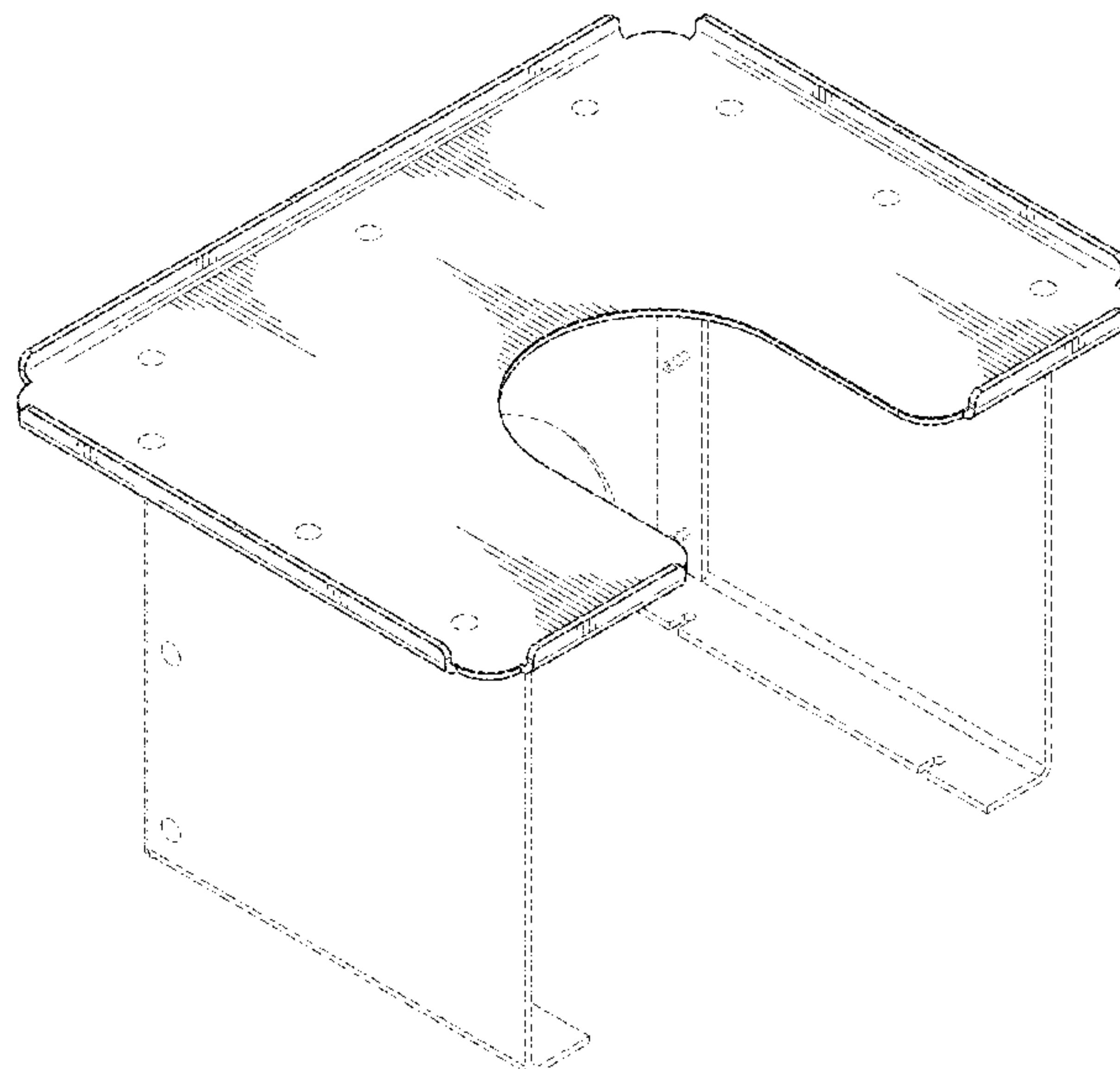
(57) **CLAIM**

The ornamental design for a stand, as shown and described.

**DESCRIPTION**

FIG. 1 is a front perspective view of a first embodiment of a stand, showing our new design;  
FIG. 2 is a front elevation view thereof;  
FIG. 3 is a rear elevation view thereof;  
FIG. 4 is a right side elevation view thereof;  
FIG. 5 is a left side elevation view thereof;  
FIG. 6 is a top plan view thereof;  
FIG. 7 is a bottom plan view thereof;  
FIG. 8 is a bottom perspective view thereof;  
FIG. 9 is a front perspective view of a second embodiment of a stand, showing our new design;  
FIG. 10 is a front elevation view thereof;  
FIG. 11 is a rear elevation view thereof;  
FIG. 12 is a right side elevation view thereof;  
FIG. 13 is a left side elevation view thereof;  
FIG. 14 is a top plan view thereof;  
FIG. 15 is a bottom plan view thereof; and,  
FIG. 16 is a bottom perspective view thereof.  
The broken lines present in the drawings are included for the purpose of illustrating portions of the article which form no part of the claimed design.

**1 Claim, 16 Drawing Sheets**



(56)

**References Cited**

U.S. PATENT DOCUMENTS

2022/0202000 A1\* 6/2022 Taylor ..... A01K 97/22

OTHER PUBLICATIONS

Scotty #455 Bait Board, No Mount, available in Amazon.com, date first available Sep. 14, 2012 [online], [site visited Dec. 12, 2022], Available from the internet URL: [https://www.amazon.com/Scotty-455-Bait-Board-Mount/dp/B009SUADRI/ref=asc\\_df\\_B009SUADRI/?tag=hyprod-20&linkCode=df0&hvadid=3121424](https://www.amazon.com/Scotty-455-Bait-Board-Mount/dp/B009SUADRI/ref=asc_df_B009SUADRI/?tag=hyprod-20&linkCode=df0&hvadid=3121424) . . . \*

EconoMate Bait and Filet Table, available in WestMarine.com, announced Year 2017 [online], [site visited Dec. 12, 2022], Internet URL: [https://www.westmarine.com/magma-economate-bait-and-filet-table-15132269.html?utm\\_medium=cpc&utm\\_source=google&utm\\_campaign=PMax:GSC>Smart\\_Shopping>Fishing&gclid=EAIaIQobChMI98-gILn](https://www.westmarine.com/magma-economate-bait-and-filet-table-15132269.html?utm_medium=cpc&utm_source=google&utm_campaign=PMax:GSC>Smart_Shopping>Fishing&gclid=EAIaIQobChMI98-gILn).\*

\* cited by examiner

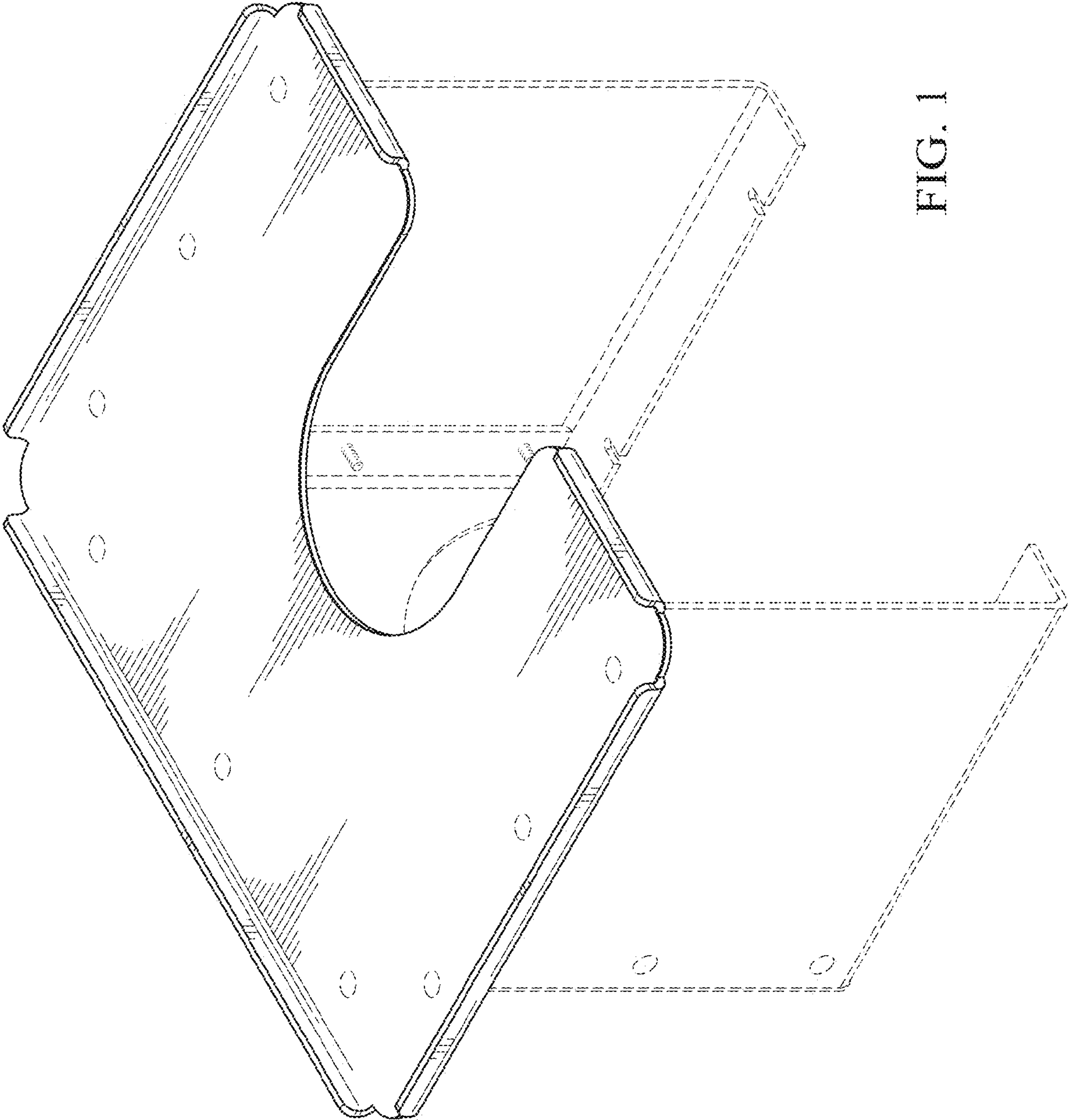


FIG. 1

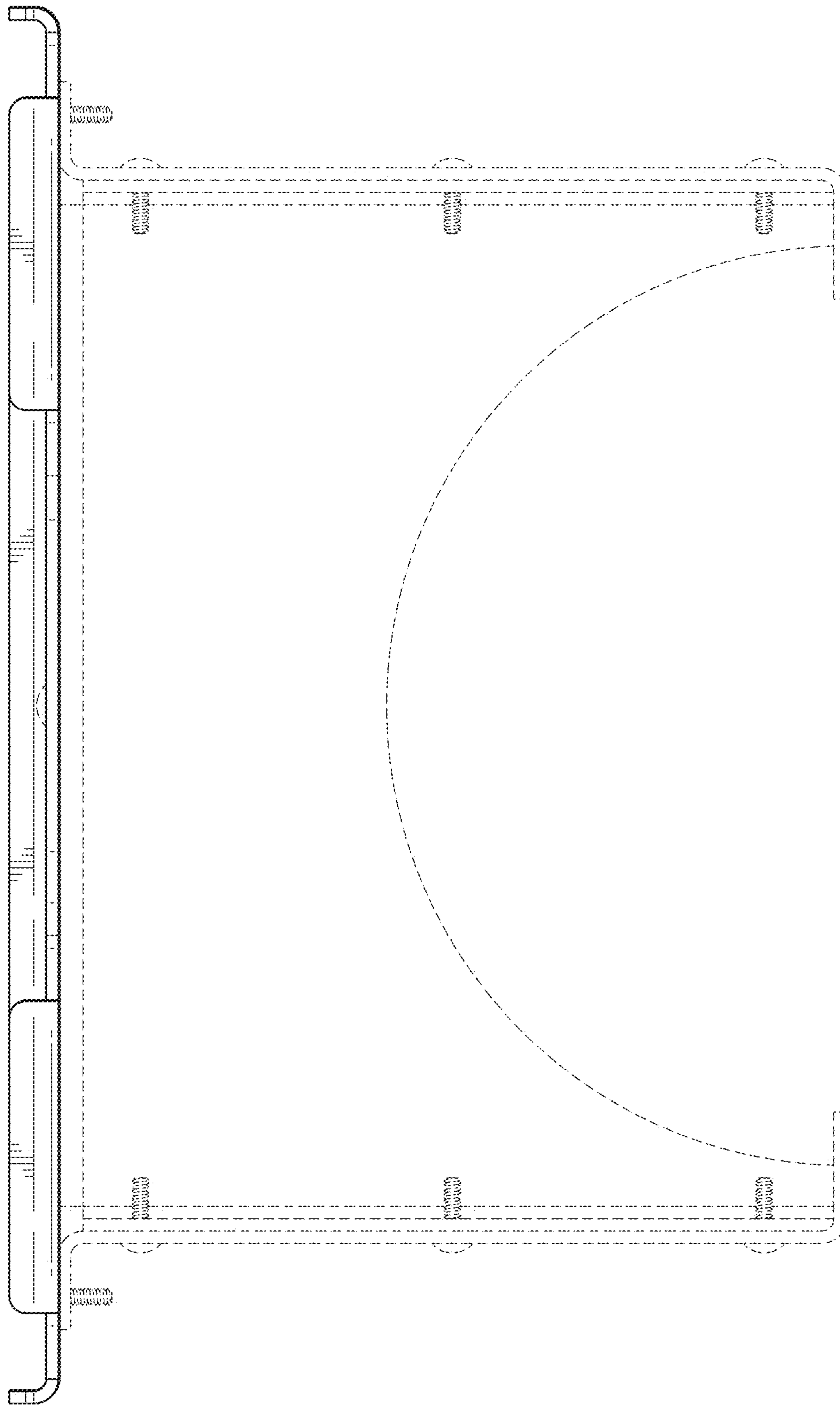


FIG. 2

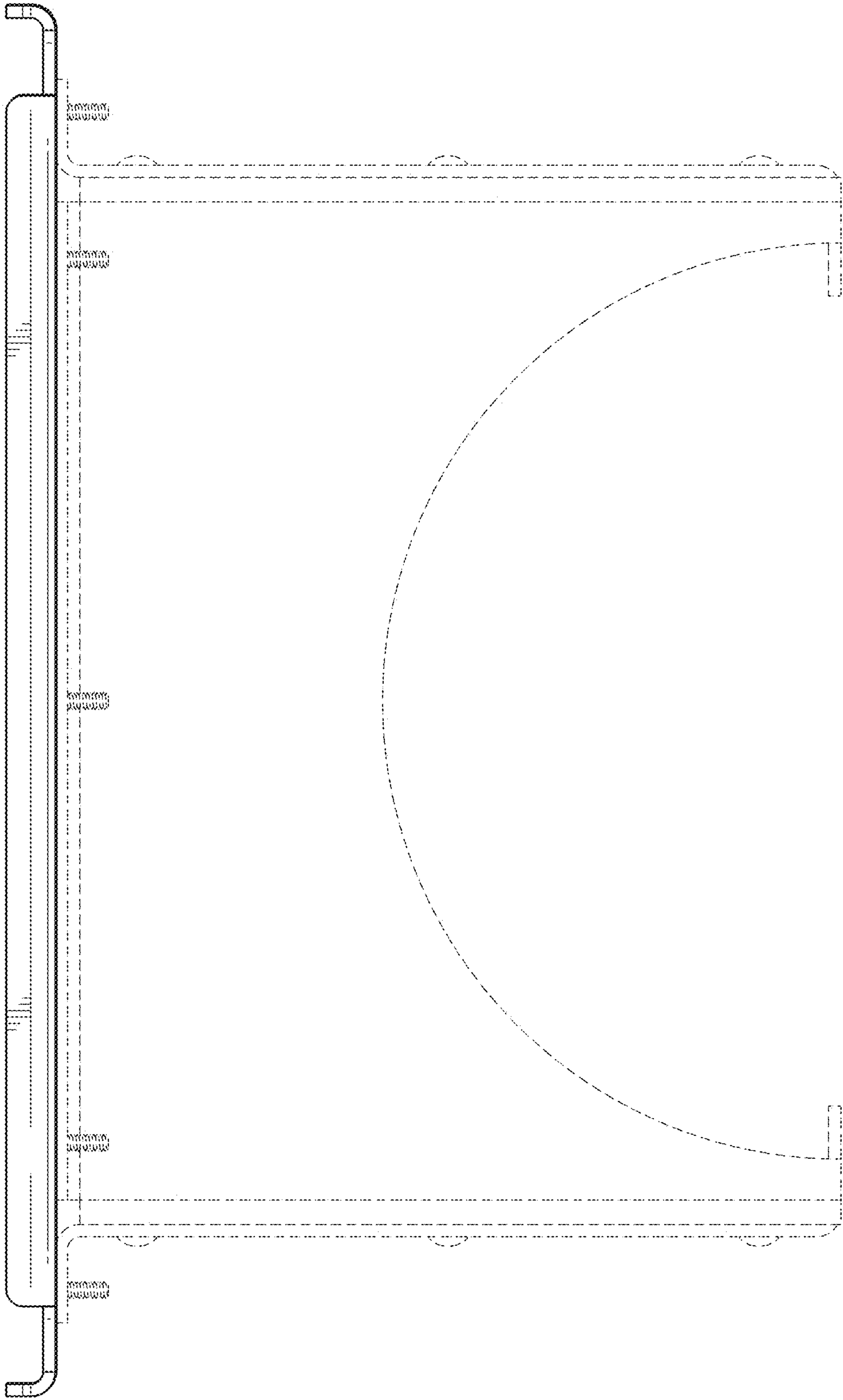


FIG. 3



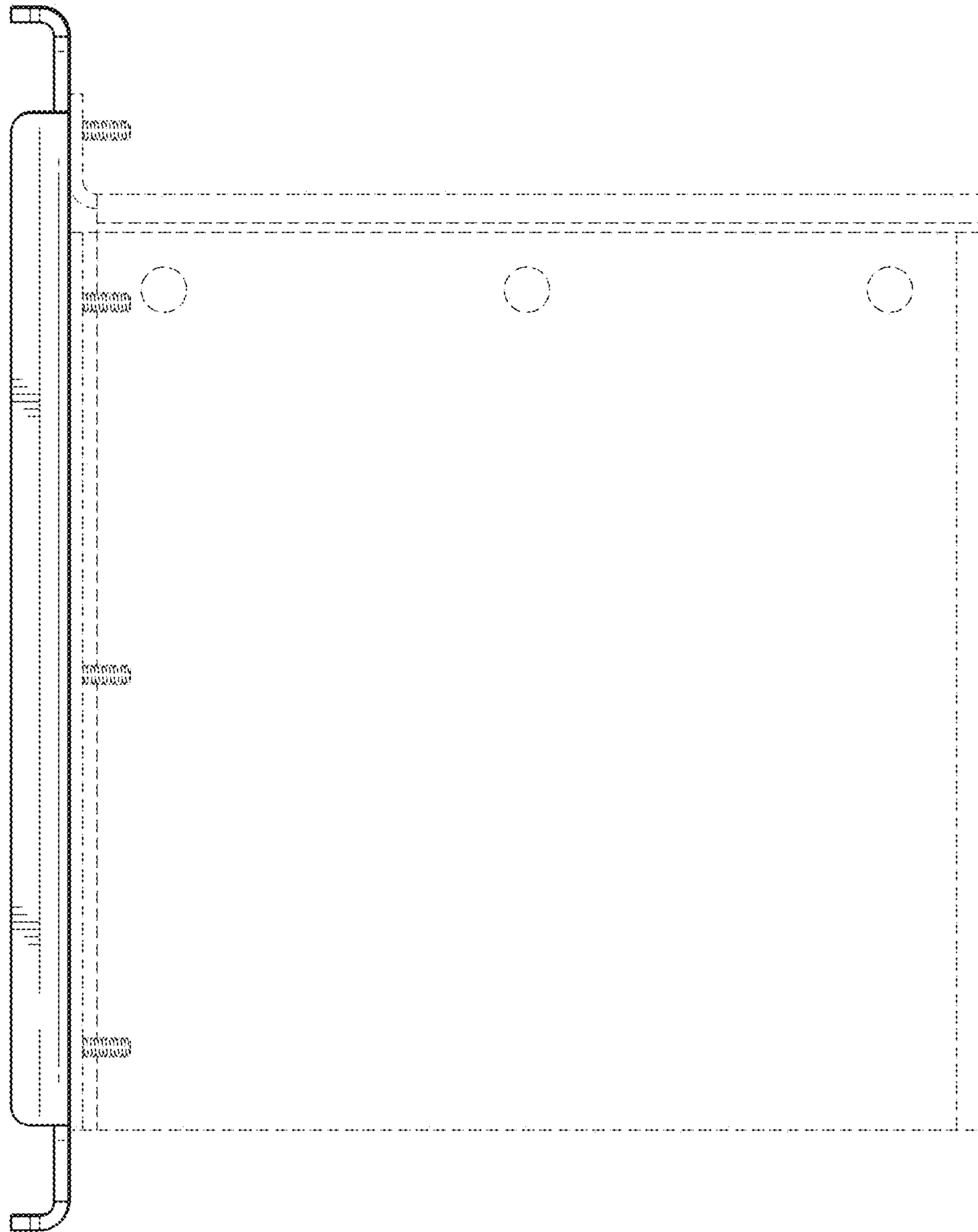


FIG. 4

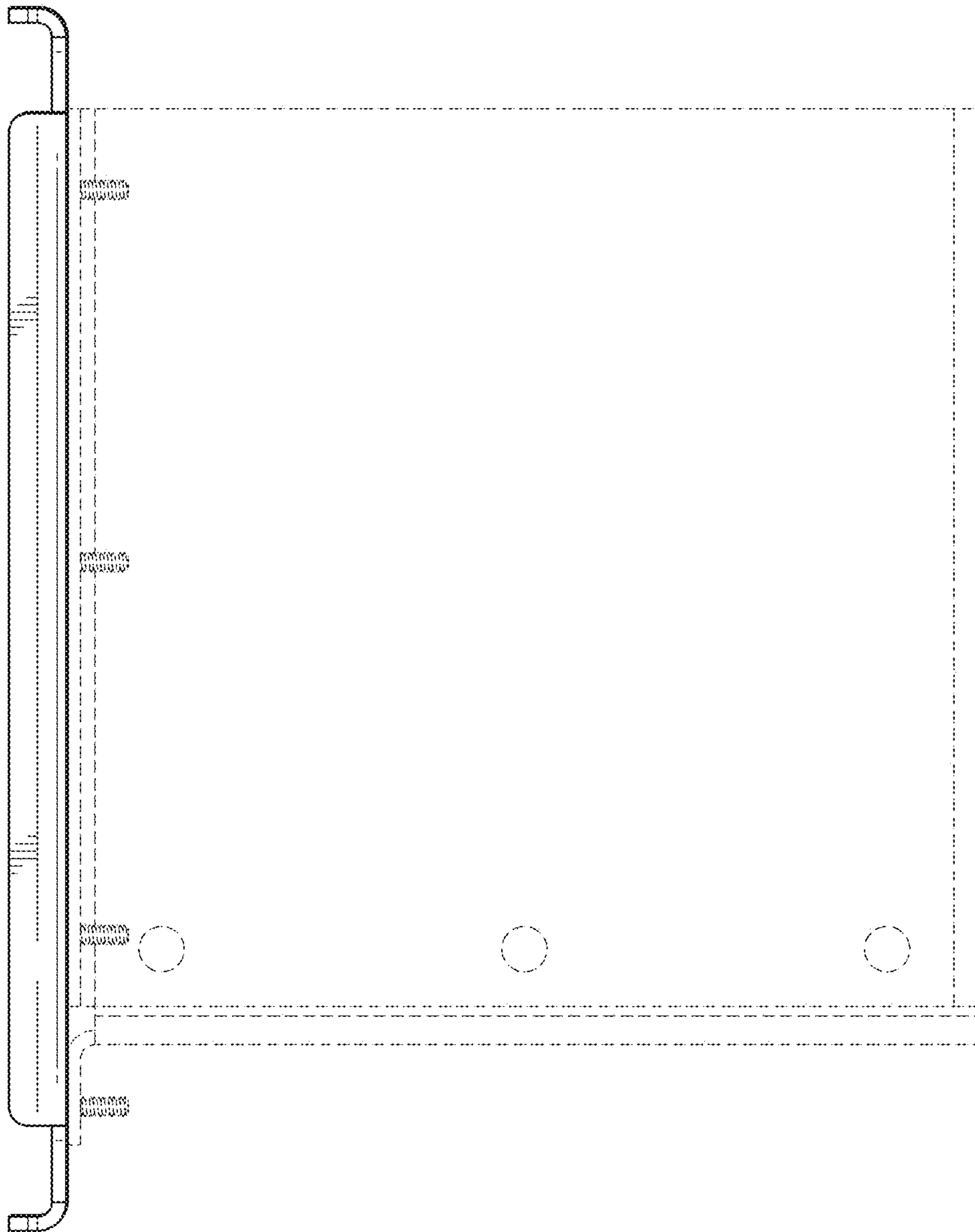


FIG. 5

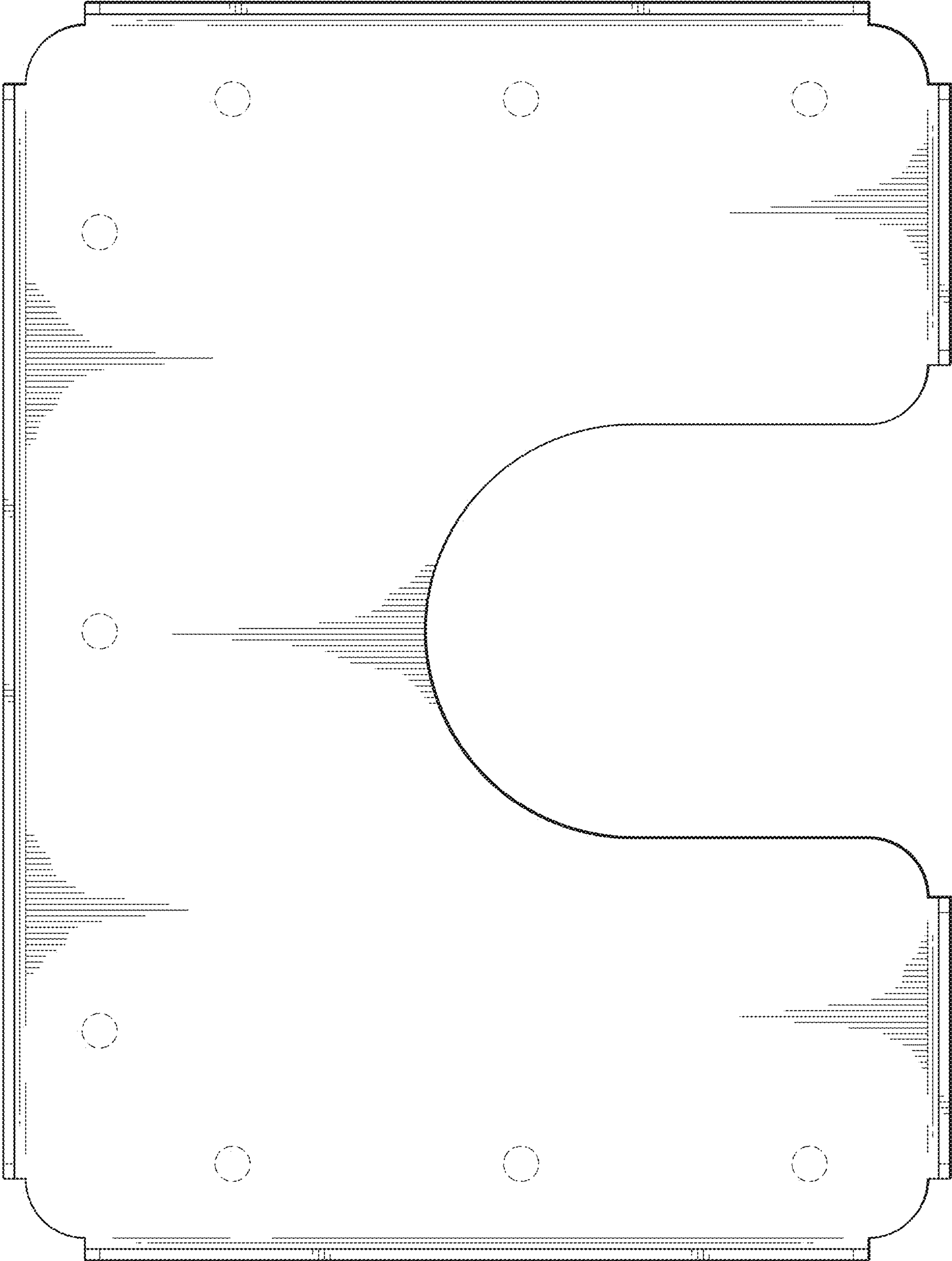


FIG. 6



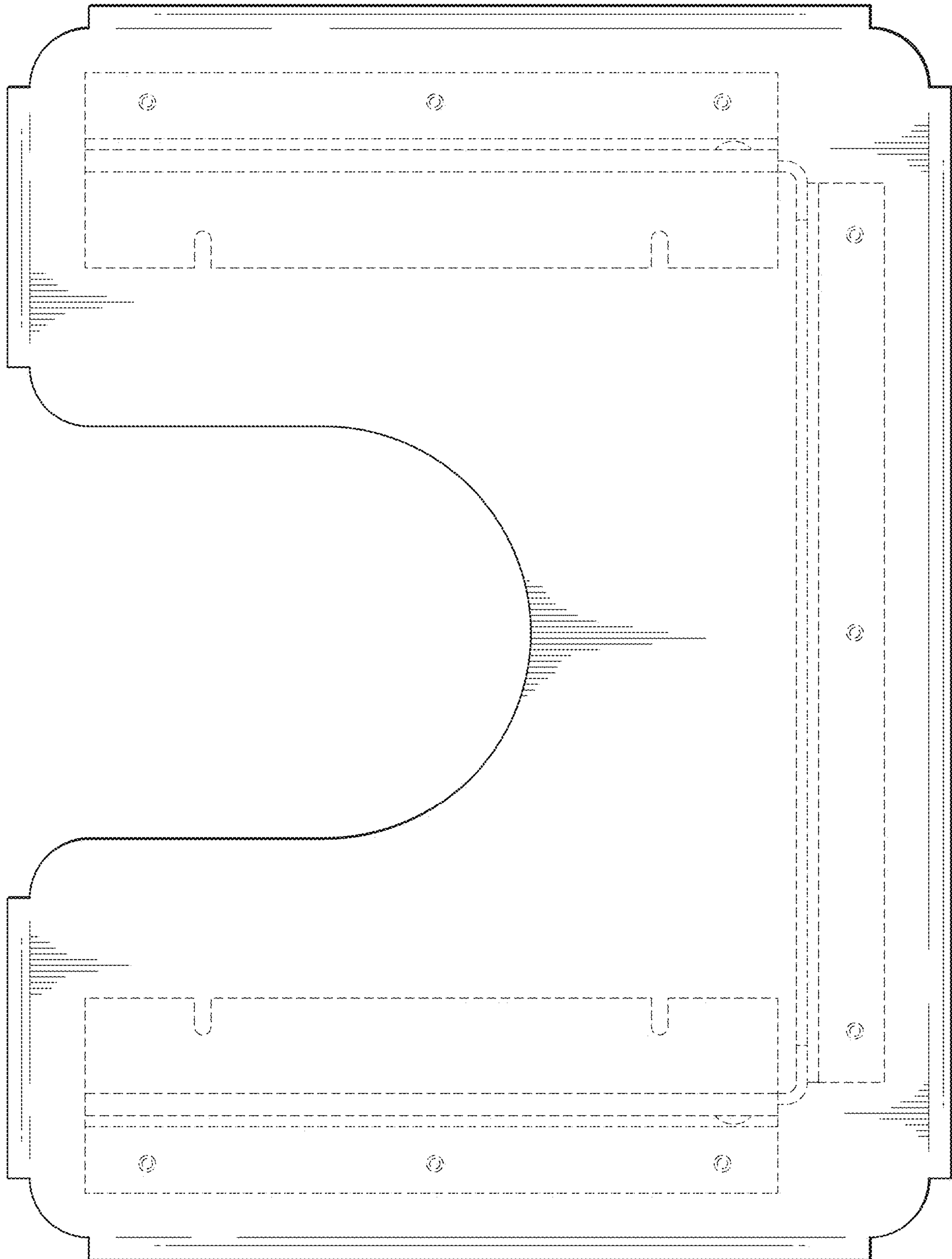


FIG. 7

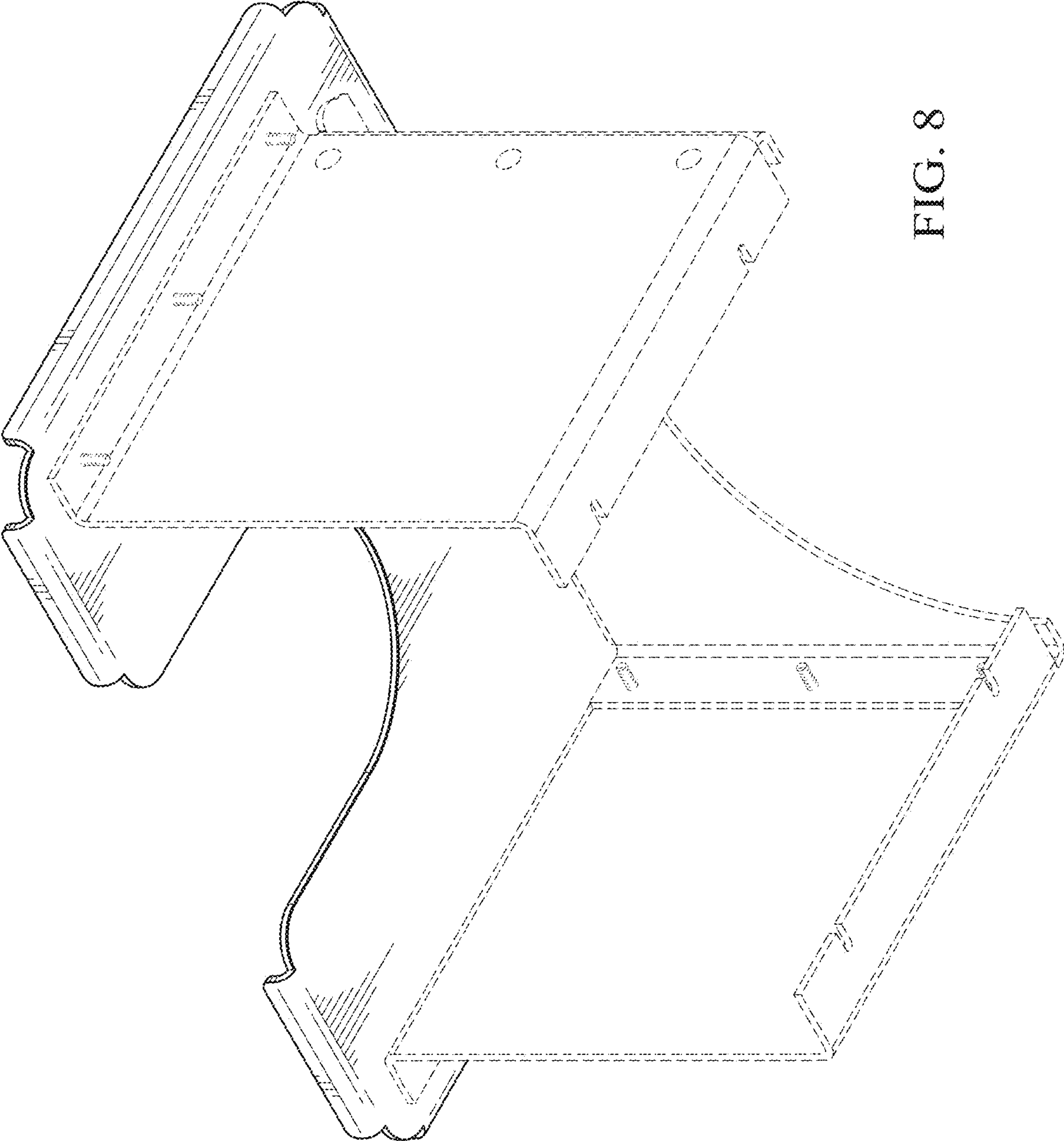


FIG. 8

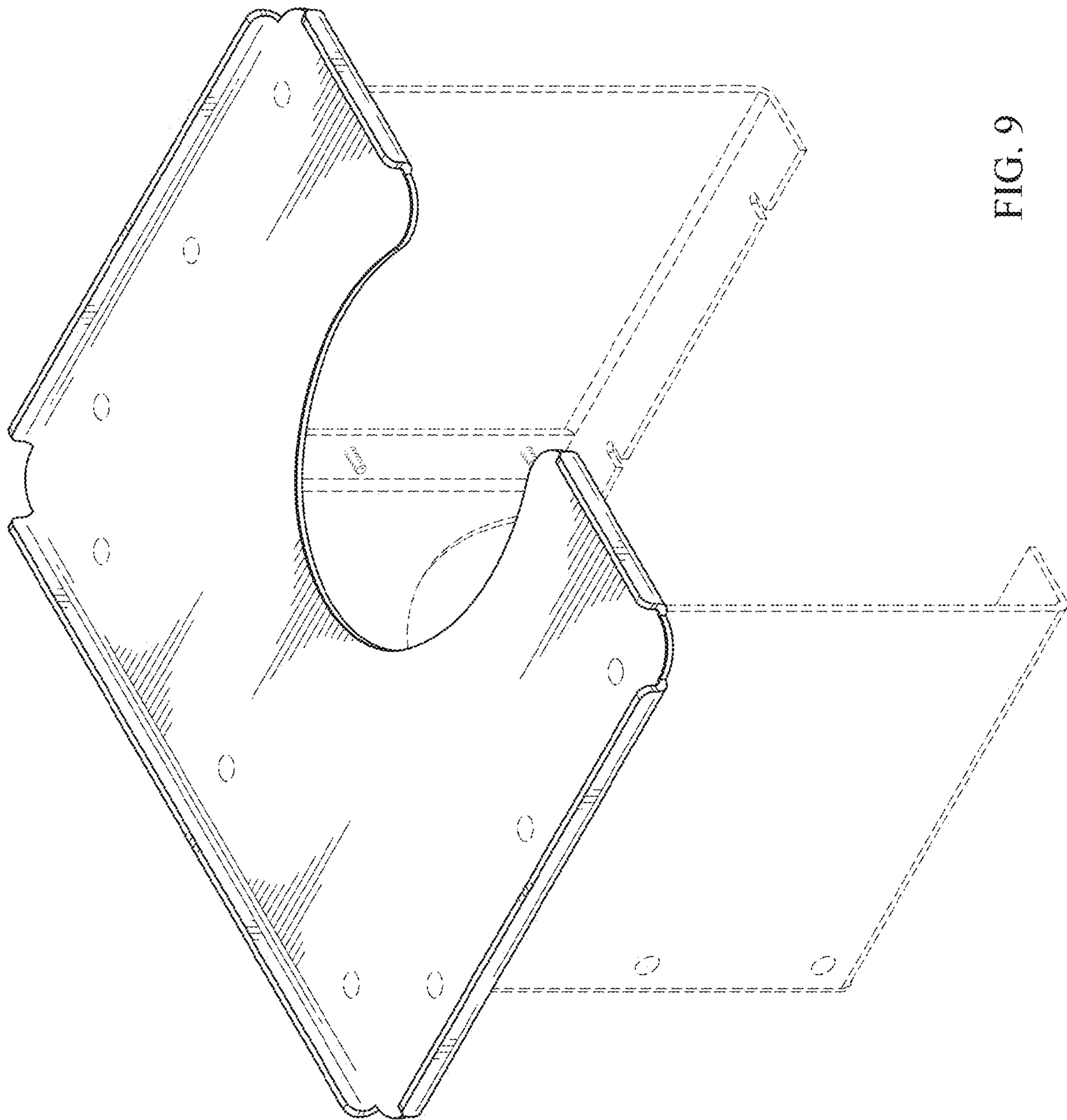


FIG. 9

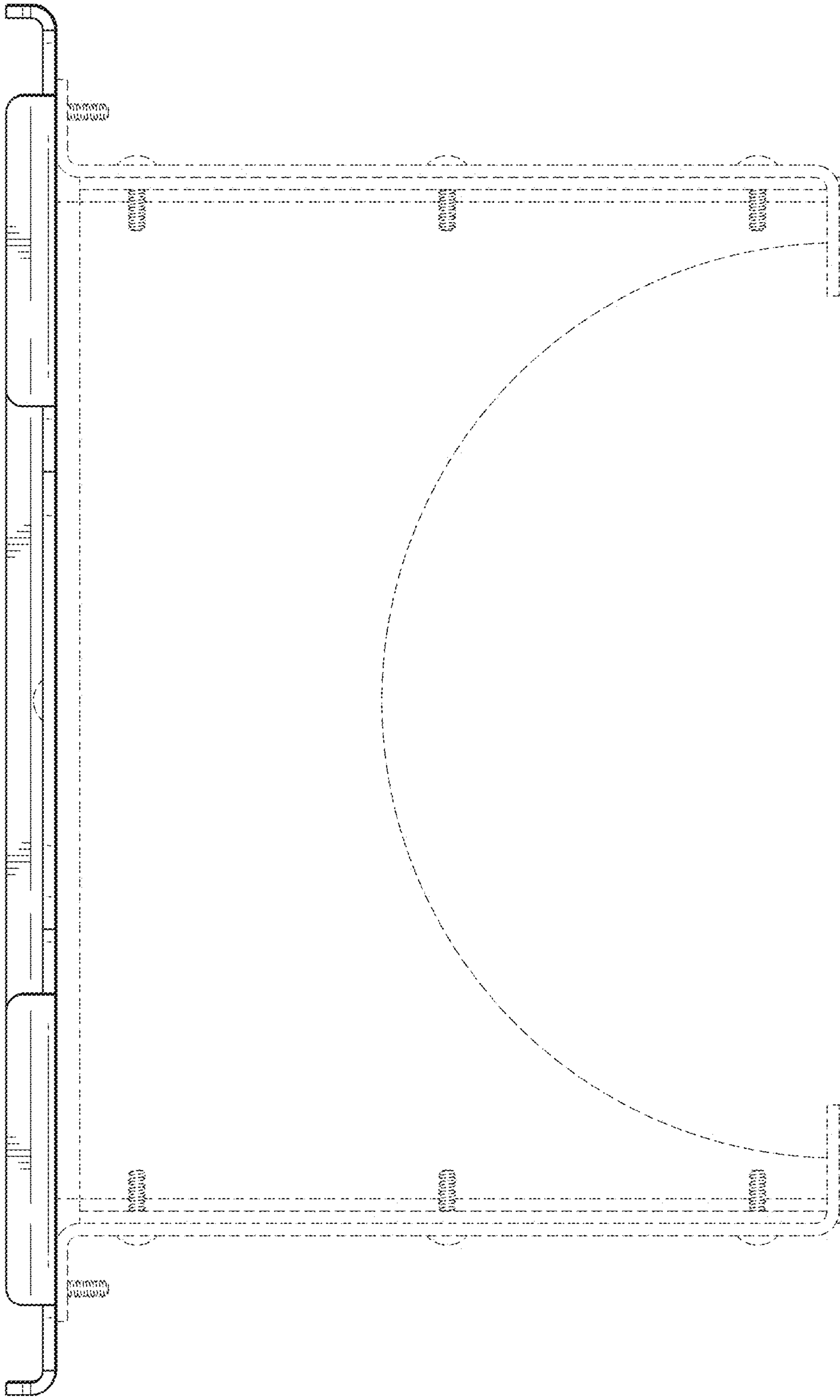


FIG. 10

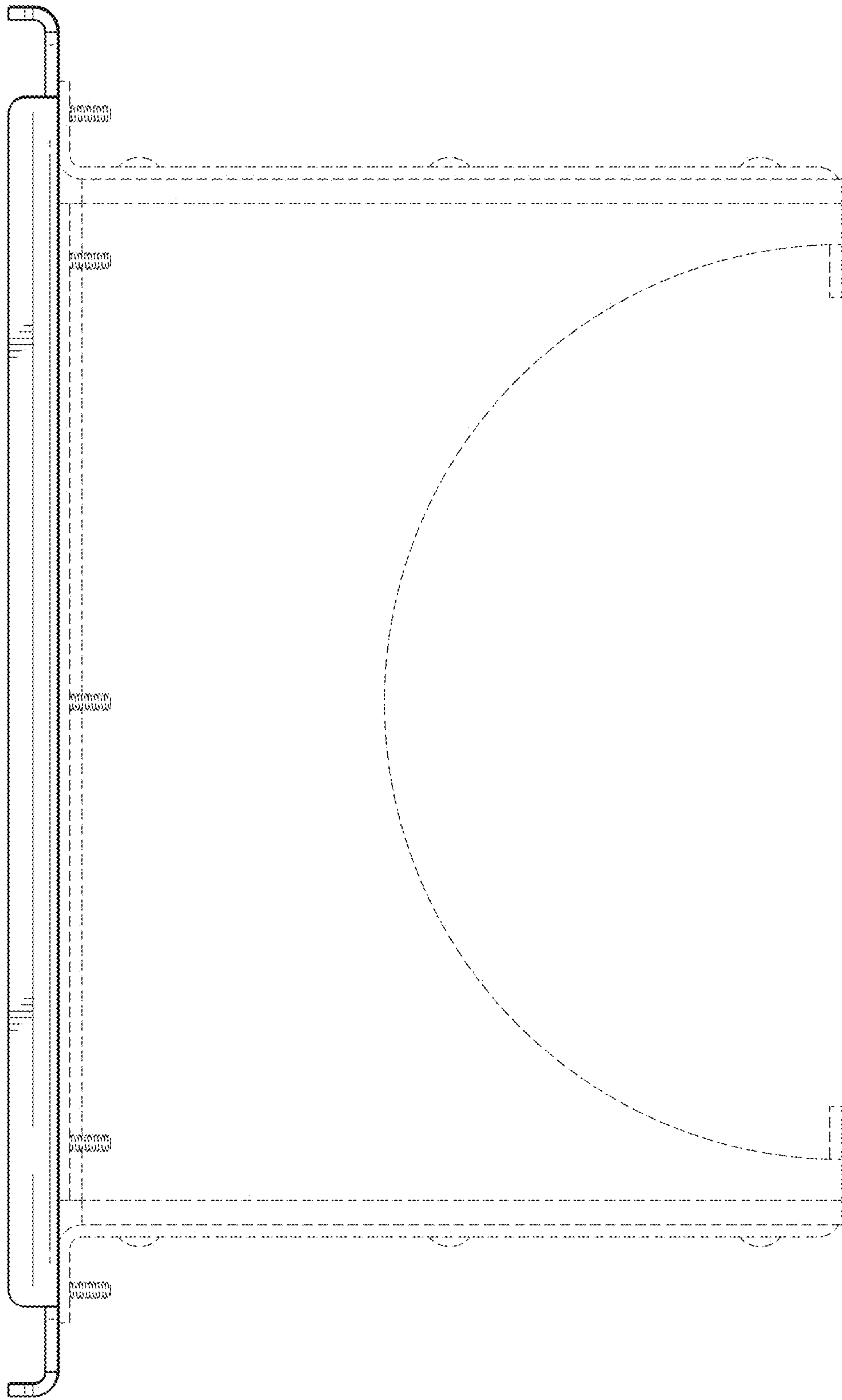


FIG. 11

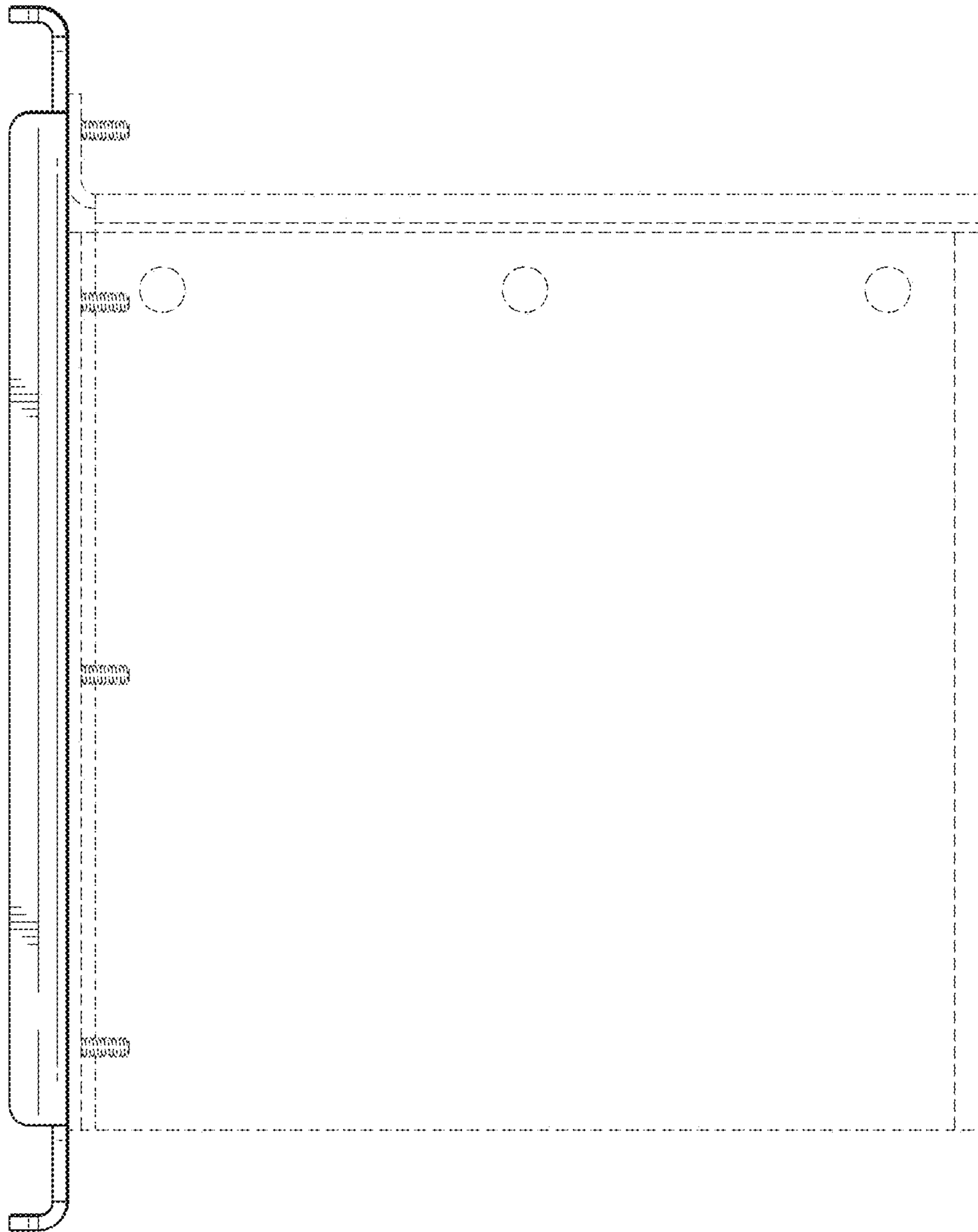


FIG. 12



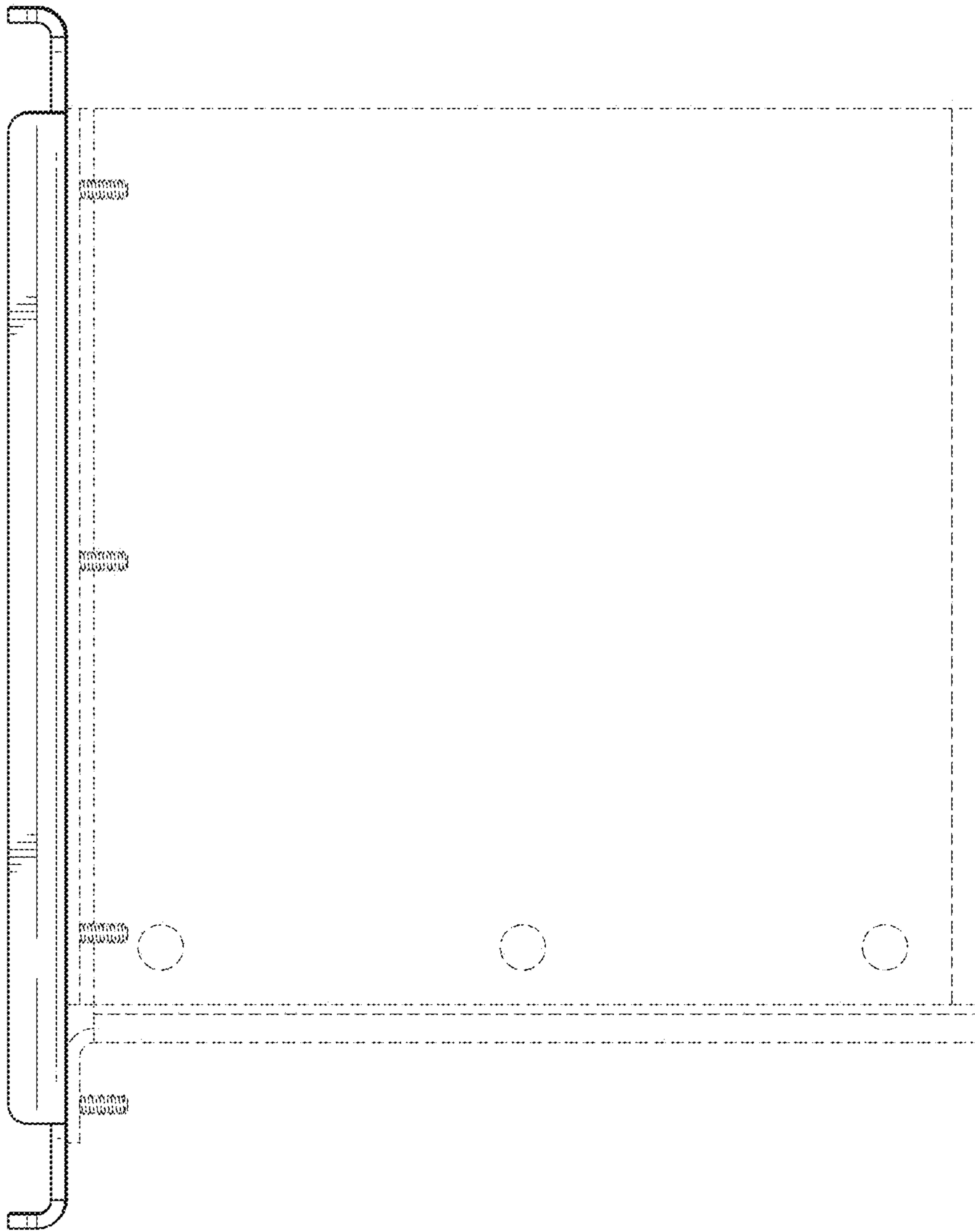


FIG. 13

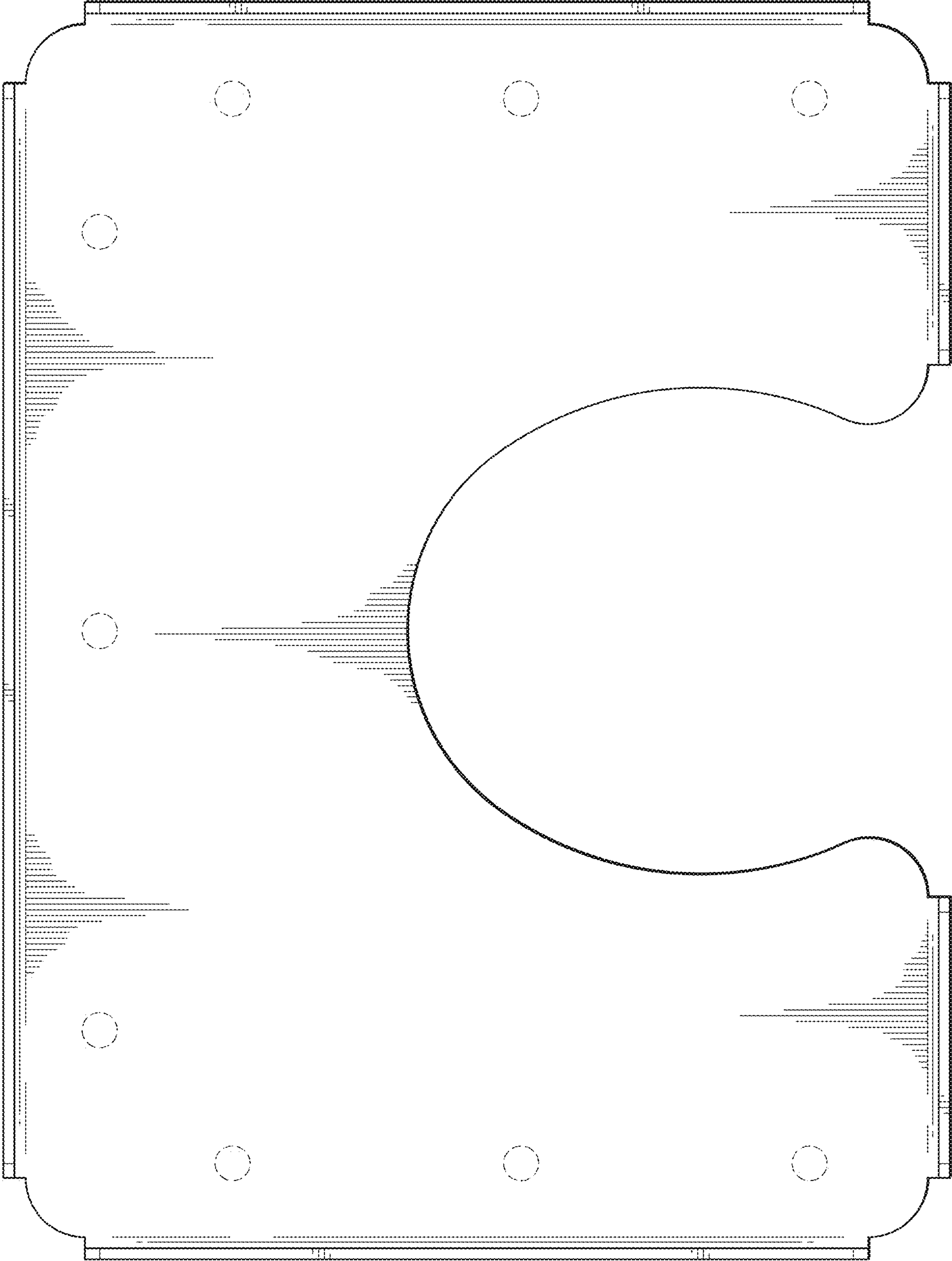


FIG. 14

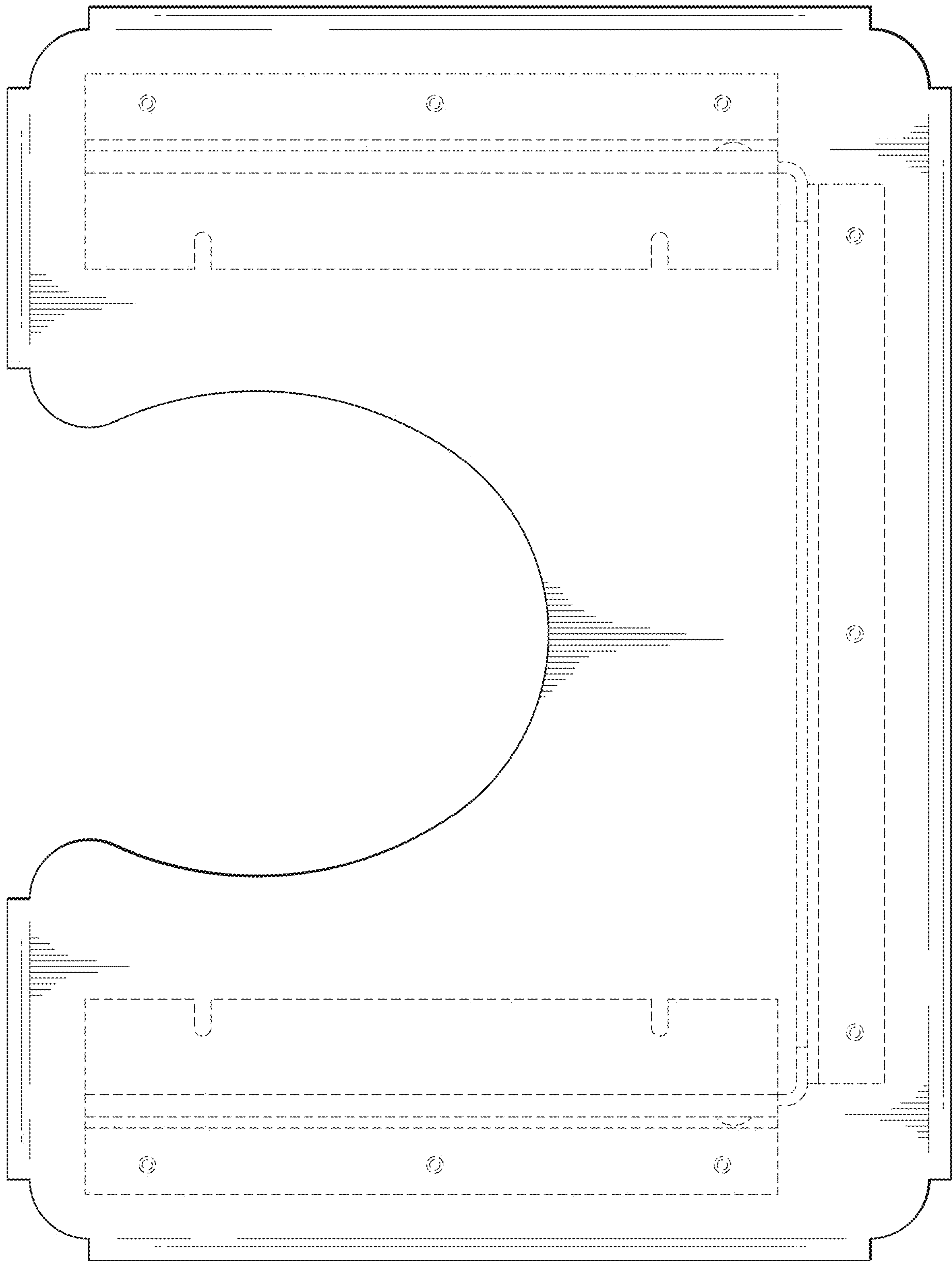


FIG. 15

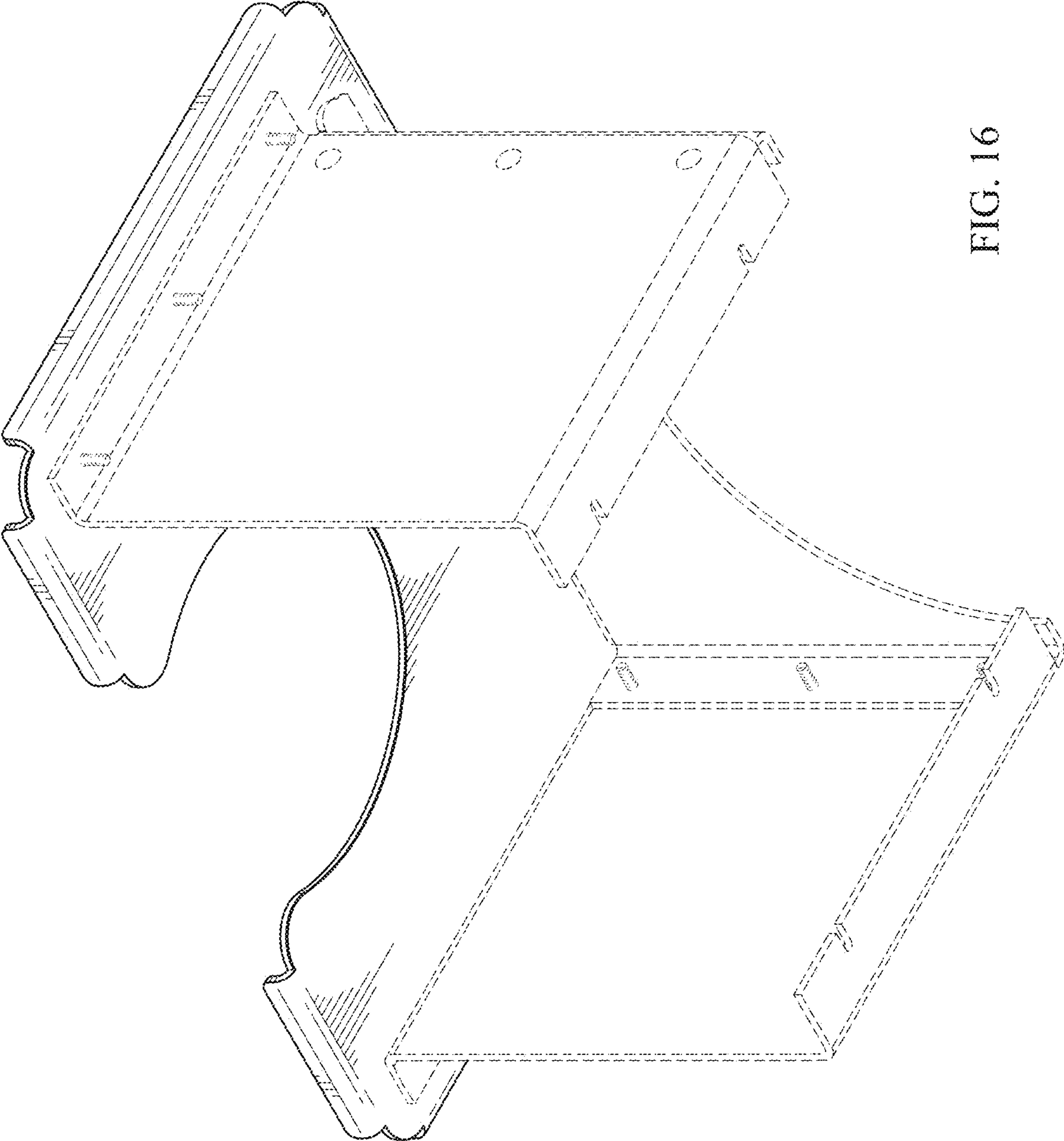


FIG. 16