



US00D986132S

(12) **United States Design Patent**  
**Jantzen et al.**

(10) **Patent No.:** **US D986,132 S**  
(45) **Date of Patent:** **\*\* May 16, 2023**

(54) **CATAMARAN**  
(71) Applicant: **Mainport Holdings, LLC**, Englewood, FL (US)  
(72) Inventors: **Lyon A. Jantzen**, Englewood, FL (US);  
**Joseph A. Jantzen**, Trenton, ME (US)

7,536,966 B2 \* 5/2009 Stryjewski ..... B63B 35/34  
114/61.1  
7,587,986 B2 \* 9/2009 Neidert ..... B63B 34/50  
114/61.15  
7,856,935 B2 12/2010 Yagi et al.  
(Continued)

(\*\*) Term: **15 Years**  
(21) Appl. No.: **29/774,180**

FOREIGN PATENT DOCUMENTS  
CN 306817066 \* 9/2021  
CN 307562476 \* 9/2022  
(Continued)

(22) Filed: **Mar. 15, 2021**  
(51) **LOC (14) Cl.** ..... **12-06**  
(52) **U.S. Cl.**  
USPC ..... **D12/300**  
(58) **Field of Classification Search**  
USPC ..... D12/300, 302-304, 306-308, 310,  
D12/312-318, 413; D21/542, 544  
CPC ..... B63B 1/00; B63B 1/042; B63B 1/125;  
B63B 7/00; B63B 34/10; B63B 17/00;  
B63B 17/02; B63H 8/00; B63H 9/00  
See application file for complete search history.

OTHER PUBLICATIONS

2021 HyperGlider, announced in YouTube on Apr. 22, 2021 [online], [site visited Nov. 23, 2022], Available from the internet URL: <https://www.youtube.com/watch?v=D7x2qzr4cwU>.  
(Continued)

*Primary Examiner* — Darlington Ly  
*Assistant Examiner* — D. Ryan Tisdale  
(74) *Attorney, Agent, or Firm* — Whiteford, Taylor & Preston, LLP; Gregory M. Stone

(56) **References Cited**  
U.S. PATENT DOCUMENTS

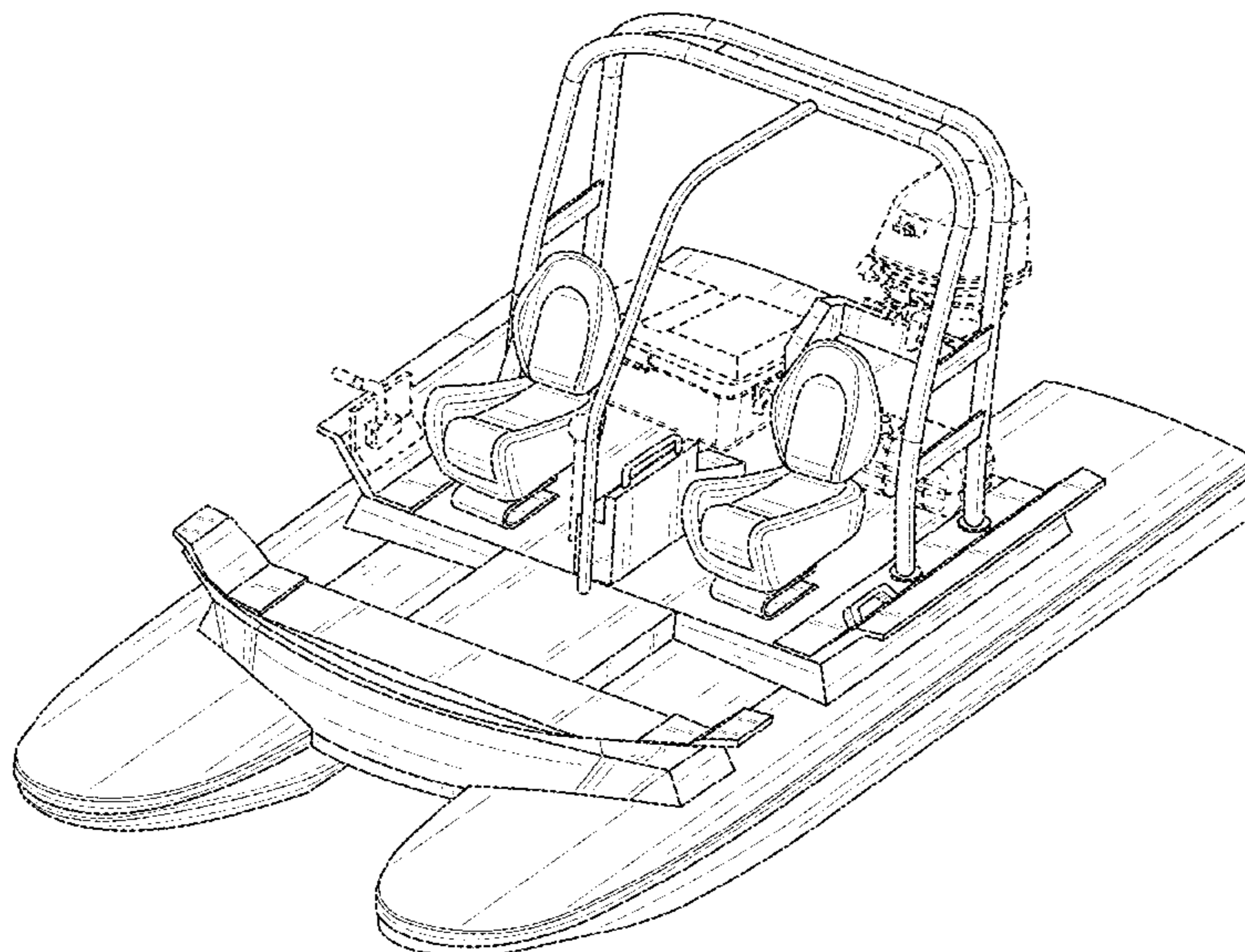
(57) **CLAIM**  
The ornamental design for a catamaran, as shown and described.

3,230,918 A	1/1966	Compton	
3,326,166 A	6/1967	Yost	
4,089,291 A	5/1978	Craig	
D267,003 S *	11/1982	Lacasse	..... D12/306
5,529,008 A	6/1996	Craig	
6,000,353 A	12/1999	De Leu	
6,085,677 A	7/2000	Bell	
6,085,678 A	7/2000	Wurzburg	
6,095,073 A	8/2000	Burkett	
D465,360 S	11/2002	Ratza et al.	
6,871,608 B2	3/2005	Rosen	
7,111,569 B1	9/2006	Sanders	
7,121,910 B2	10/2006	Rosen	
7,275,490 B1	10/2007	Sanders	
7,311,056 B1	12/2007	Krogstad	
D568,803 S	5/2008	Rypinski	

**DESCRIPTION**

FIG. 1 is a top perspective view of a catamaran showing the new design.  
FIG. 2 is a front view thereof;  
FIG. 3 is a back view thereof;  
FIG. 4 is a right side view thereof;  
FIG. 5 is a left side view thereof;  
FIG. 6 is a top plan view thereof; and,  
FIG. 7 is a bottom plan view thereof.  
The broken lines in the drawings illustrate portions of the catamaran that form no part of the claimed design.

**1 Claim, 7 Drawing Sheets**



(56)

References Cited

WO

2016/005621

1/2016

U.S. PATENT DOCUMENTS

7,870,830 B2 \* 1/2011 Bogard ..... B63B 35/613  
114/61.2  
8,608,523 B2 \* 12/2013 Fisher ..... B63B 1/20  
114/61.1  
9,415,836 B1 \* 8/2016 Eekhoff ..... B63B 1/125  
D806,634 S \* 1/2018 Padwick ..... D12/304  
10,017,226 B2 \* 7/2018 Kalil ..... B63B 29/02  
10,144,487 B1 12/2018 Craig  
D842,798 S 3/2019 Craig  
D900,701 S \* 11/2020 Leveille-Nizerolle ..... D12/300  
D957,304 S \* 7/2022 Cobb, Jr. .... D12/304

FOREIGN PATENT DOCUMENTS

RU 00124907 \* 4/2021

OTHER PUBLICATIONS

HyperGlider Intro, available in Facebook.com, announced Year 2020 [online], [site visited Nov. 23, 2022], Internet URL: <https://www.facebook.com/ProGlider-Boats-102983168360883/videos/hyperglider-intro/1064661947331404/>.  
Incredible Cat Drift Boat Hyperglide by ProGlider Boats, available in NextFish.com, announced Year 2021 [online], [site visited Nov. 23, 2022], Internet URL: <https://www.nextfish.co/blog/videos/incredible-cat-drift-boat-hyperglider-by-proglider-boats/>.  
Craigcat.com. Aug. 11, 2015. <https://www.webarchive.com/web/20150811040429/http://craigcat.com/#prettyPhoto>.

\* cited by examiner

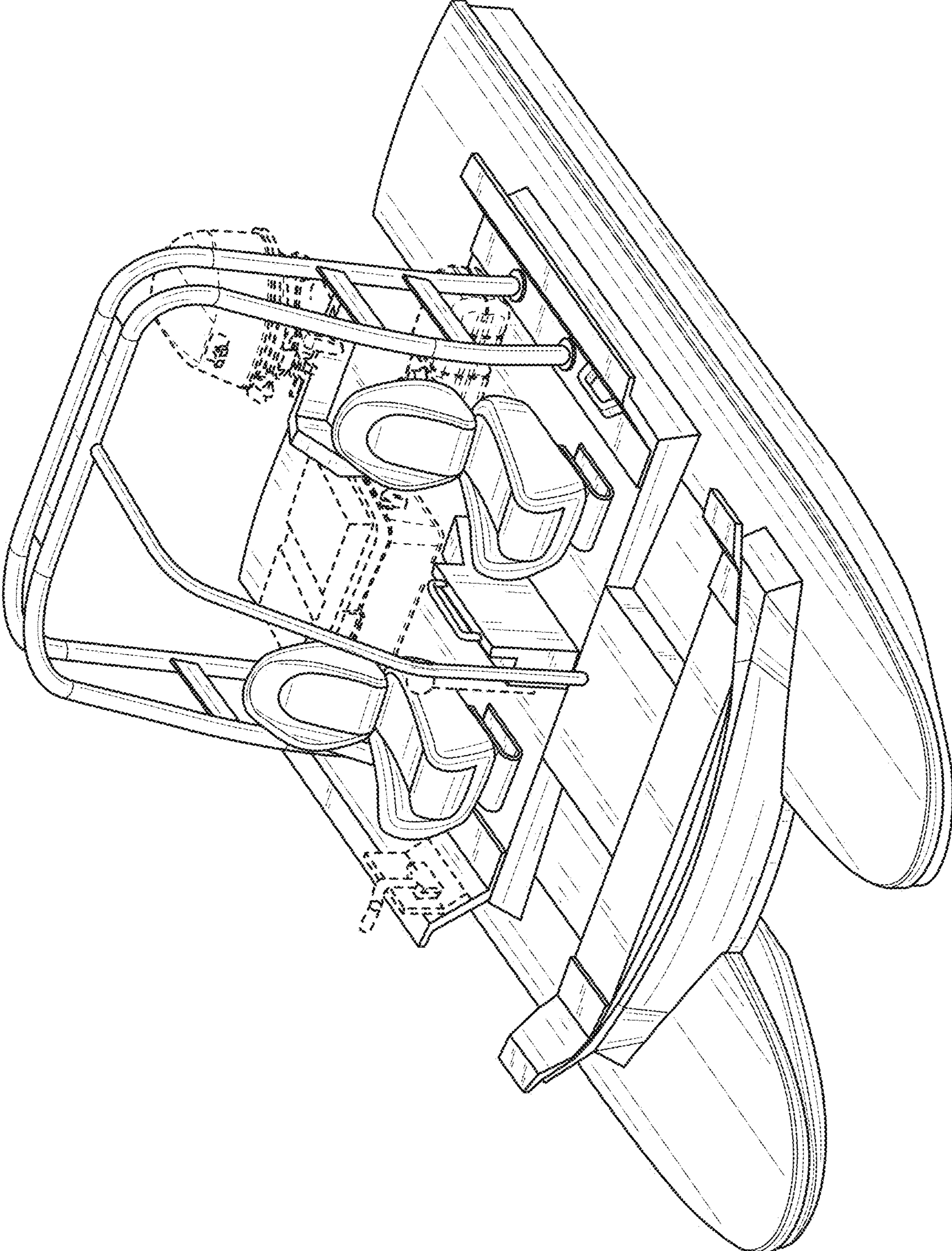


FIG. 1

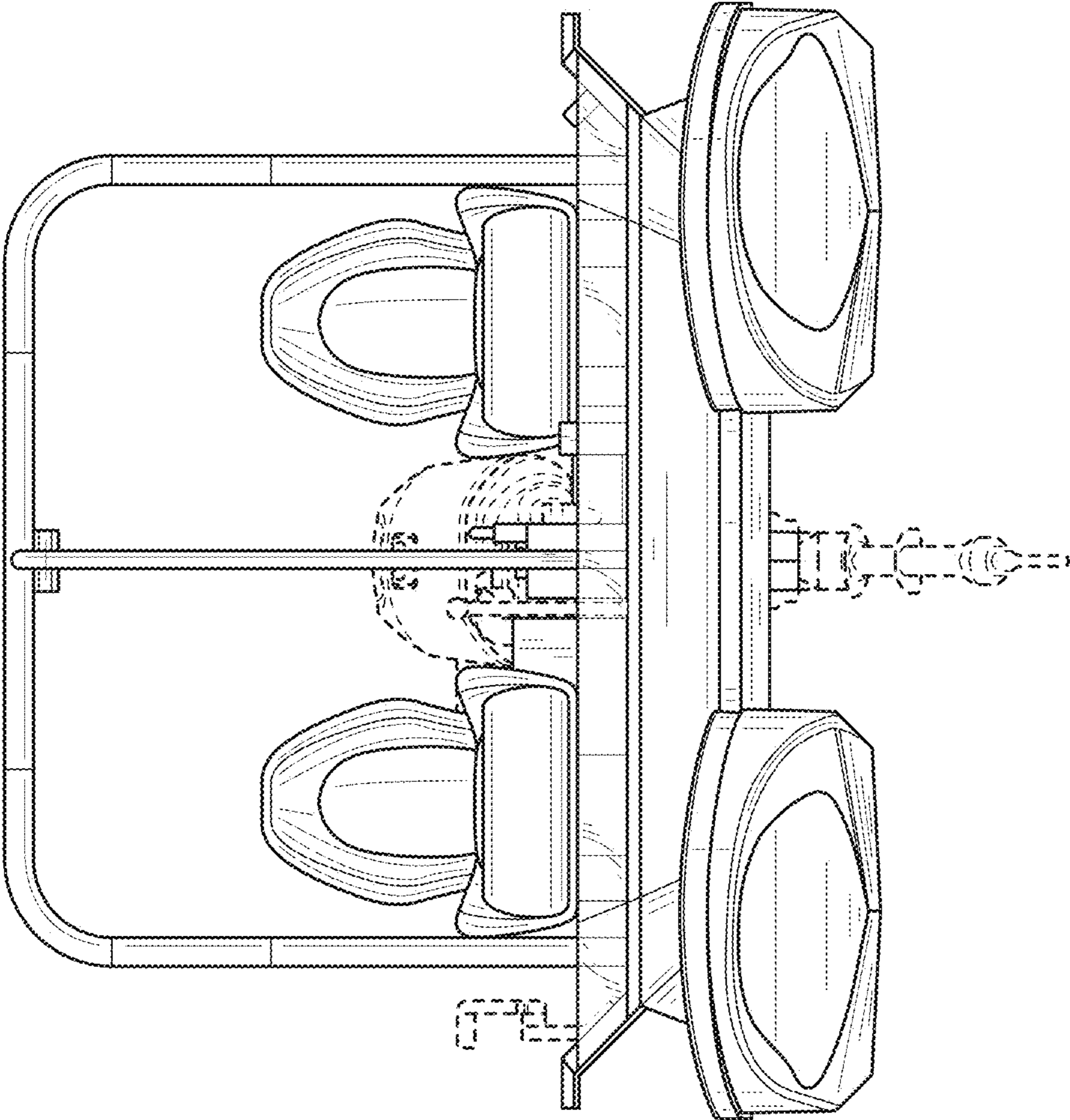


FIG. 2

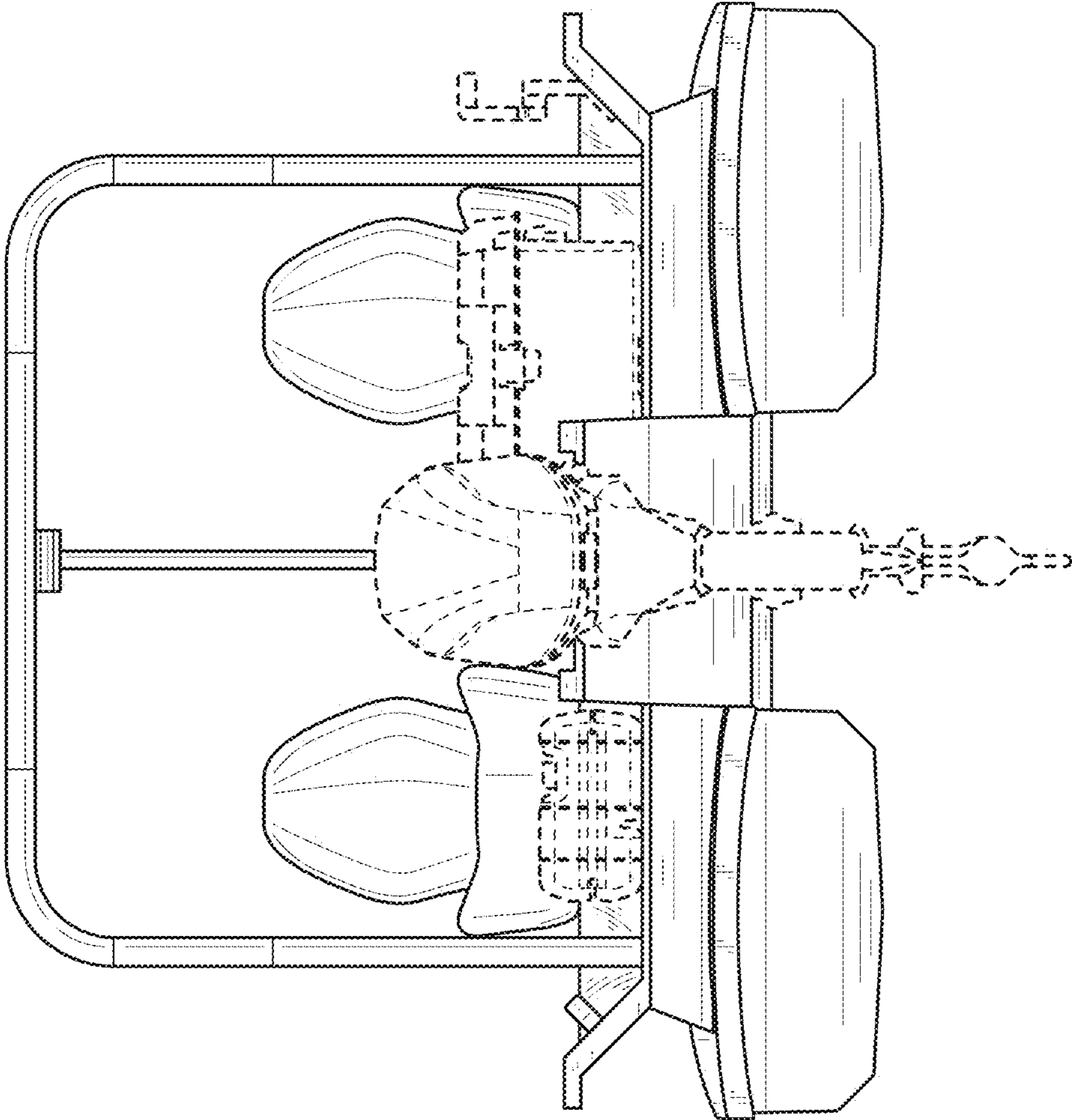


FIG. 3

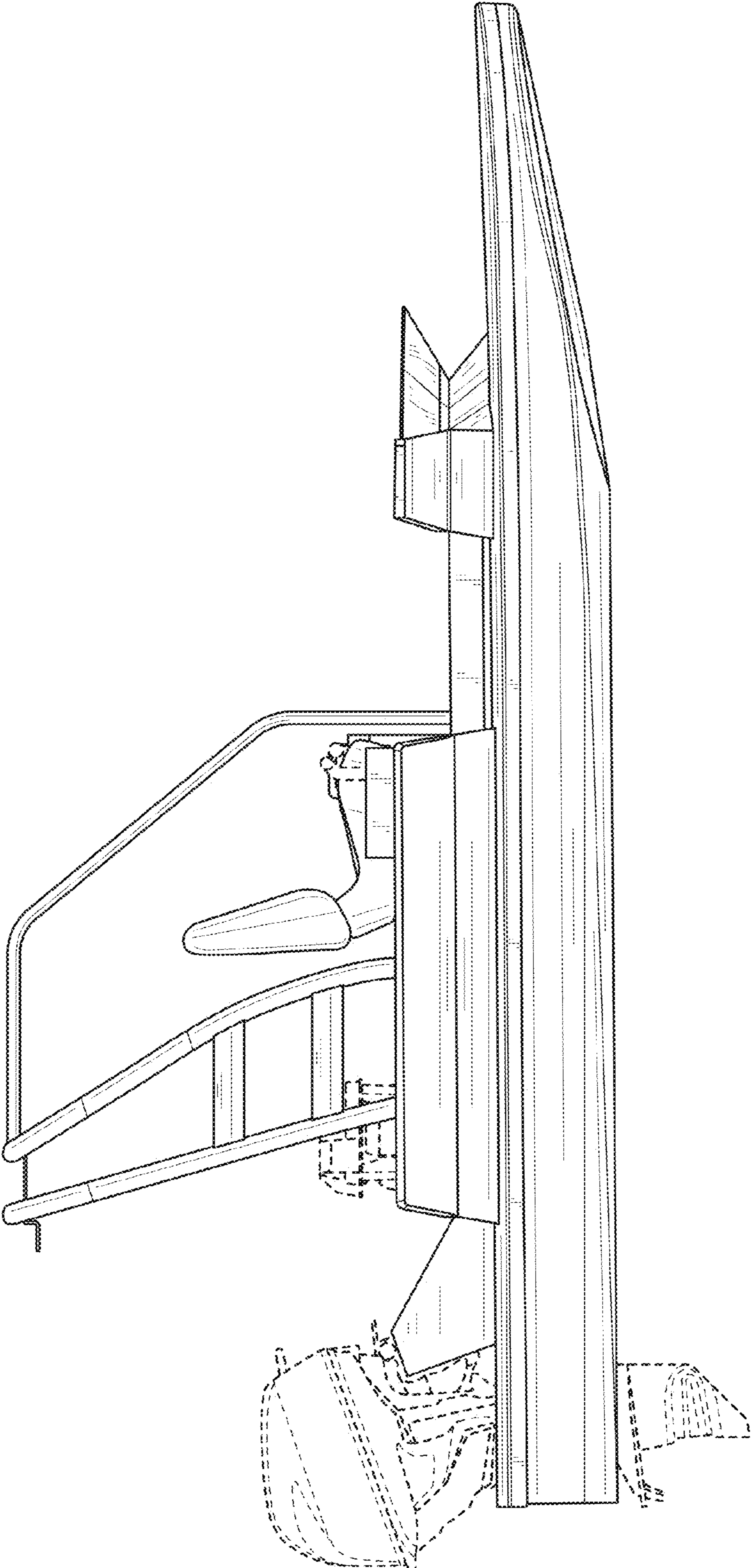


FIG. 4

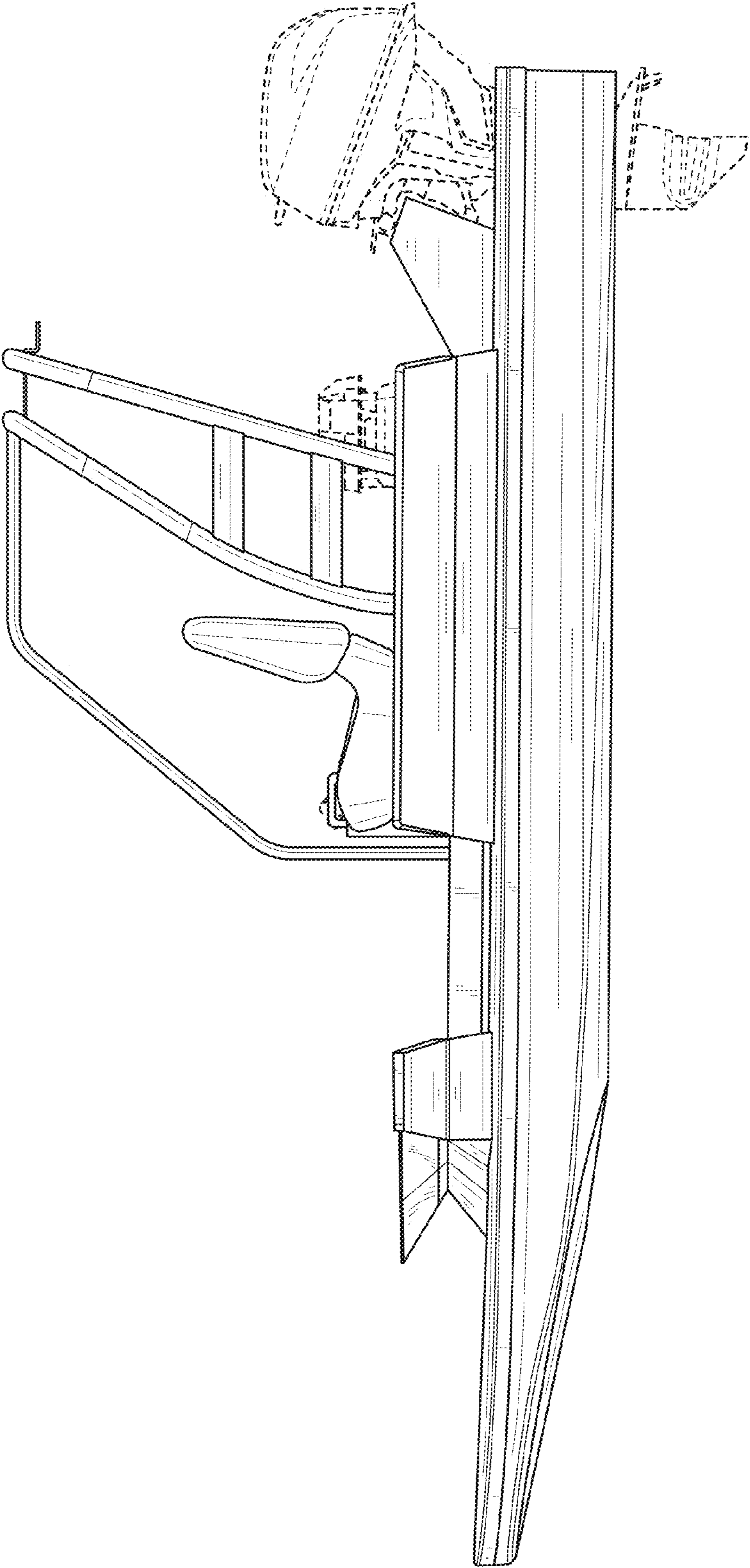


FIG. 5

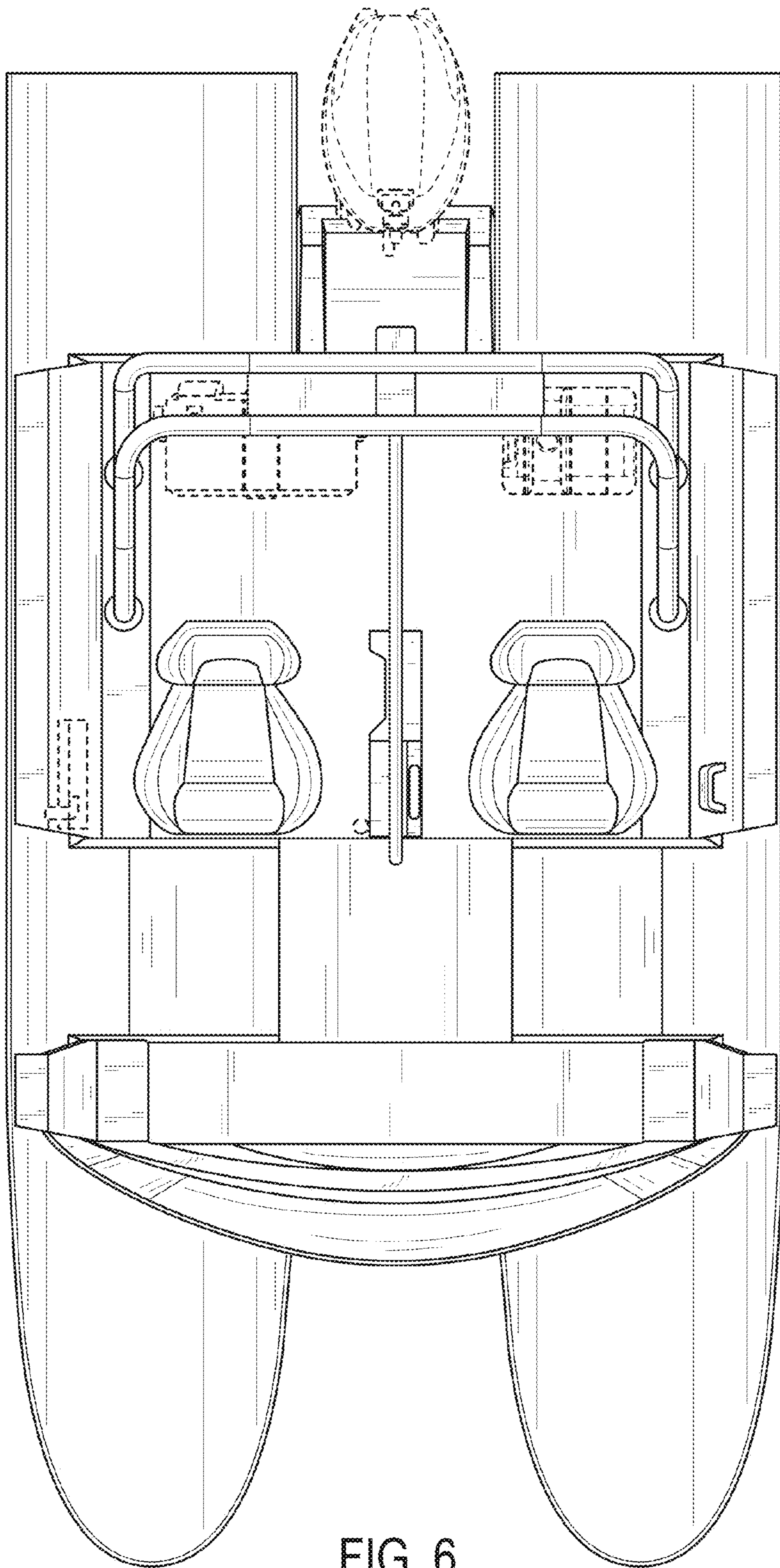


FIG. 6



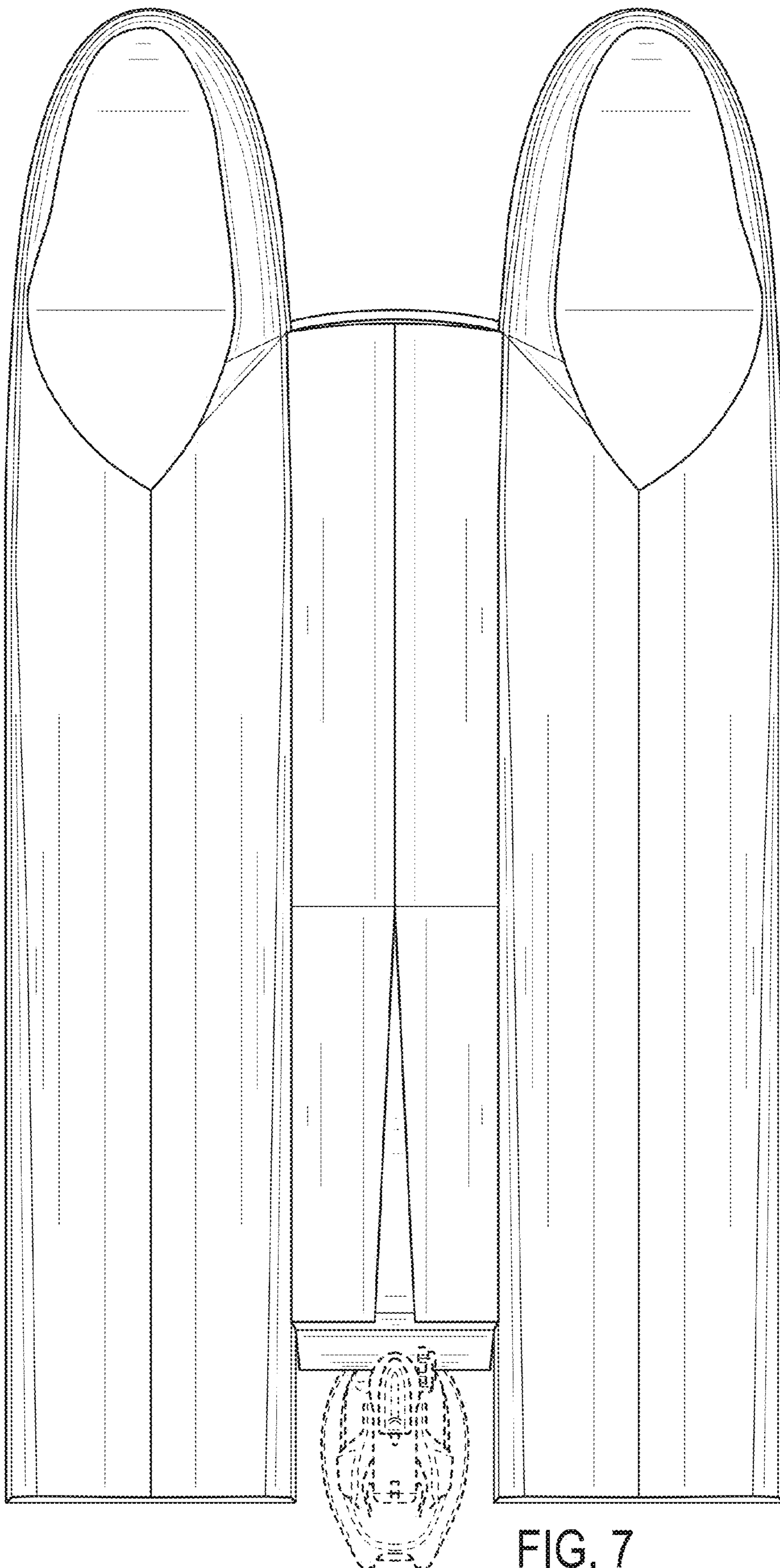


FIG. 7