



US00D986129S

(12) **United States Design Patent** (10) **Patent No.:** **US D986,129 S**  
**Greiving** (45) **Date of Patent:** **\*\* May 16, 2023**

(54) **WHEEL**  
(71) Applicant: **Wheel Pros, LLC**, Greenwood Village, CO (US)  
(72) Inventor: **Eric Greiving**, Buena Park, CA (US)  
(73) Assignee: **Wheel Pros LLC**, Greenwood Village, CO (US)  
(\*\*) Term: **15 Years**

D599,266 S 9/2009 Bierenbreier  
D609,622 S \* 2/2010 Rider ..... D12/209  
D613,659 S 4/2010 Cortes  
D619,073 S 7/2010 Groom  
D620,864 S 8/2010 Groom  
D620,873 S 8/2010 Groom  
D625,235 S 10/2010 Nissl  
D638,767 S 5/2011 Groom  
D666,960 S 9/2012 Chung  
D684,516 S 6/2013 Bennion  
D704,116 S 5/2014 Chung  
(Continued)

(21) Appl. No.: **29/806,571**  
(22) Filed: **Sep. 3, 2021**  
(51) **LOC (14) Cl.** ..... **12-16**  
(52) **U.S. Cl.**  
USPC ..... **D12/209**  
(58) **Field of Classification Search**  
USPC ..... D12/204–213; D21/563  
CPC .... B60B 7/00; B60B 7/02; B60B 7/04; B60B 7/06; B60B 3/02; B60B 3/04; B60B 3/06; B60B 3/08; B60B 3/10; B60B 1/00; B60B 1/08; B60B 1/10; B60B 1/12  
See application file for complete search history.

FOREIGN PATENT DOCUMENTS

EM 009013808-0001 \* 6/2022  
GB 9007667217-0001 \* 2/2020  
IN 331719-001-0001 \* 12/2022

OTHER PUBLICATIONS

ALPHAequipt Echo Light Grey Painted, available in TireRack.com, announced Year 2022 [online], [site visited Feb. 3, 2023], Internet URL: [https://www.tirerack.com/wheels/alphaequipt-echo-light-grey-painted.\\*](https://www.tirerack.com/wheels/alphaequipt-echo-light-grey-painted.*)

(Continued)

*Primary Examiner* — Darlington Ly  
*Assistant Examiner* — D. Ryan Tisdale  
(74) *Attorney, Agent, or Firm* — Eric Hanscom

(56) **References Cited**

U.S. PATENT DOCUMENTS

D478,542 S 8/2003 Sulahian  
D480,347 S \* 10/2003 Nemoto ..... D12/211  
D487,717 S \* 3/2004 Lenz ..... D12/211  
D513,486 S 1/2006 Rivera  
D516,983 S \* 3/2006 Honda ..... D12/209  
D528,954 S 9/2006 Laengerer  
D538,728 S \* 3/2007 Pfeiffer ..... D12/209  
D552,525 S 10/2007 Celik  
D553,068 S 10/2007 Celik  
D576,936 S 9/2008 Imai  
D578,457 S 10/2008 Guidry  
D589,424 S \* 3/2009 Futschik ..... D12/209  
D591,217 S \* 4/2009 Klein ..... D12/209  
D593,919 S \* 6/2009 Pfeiffer ..... D12/209

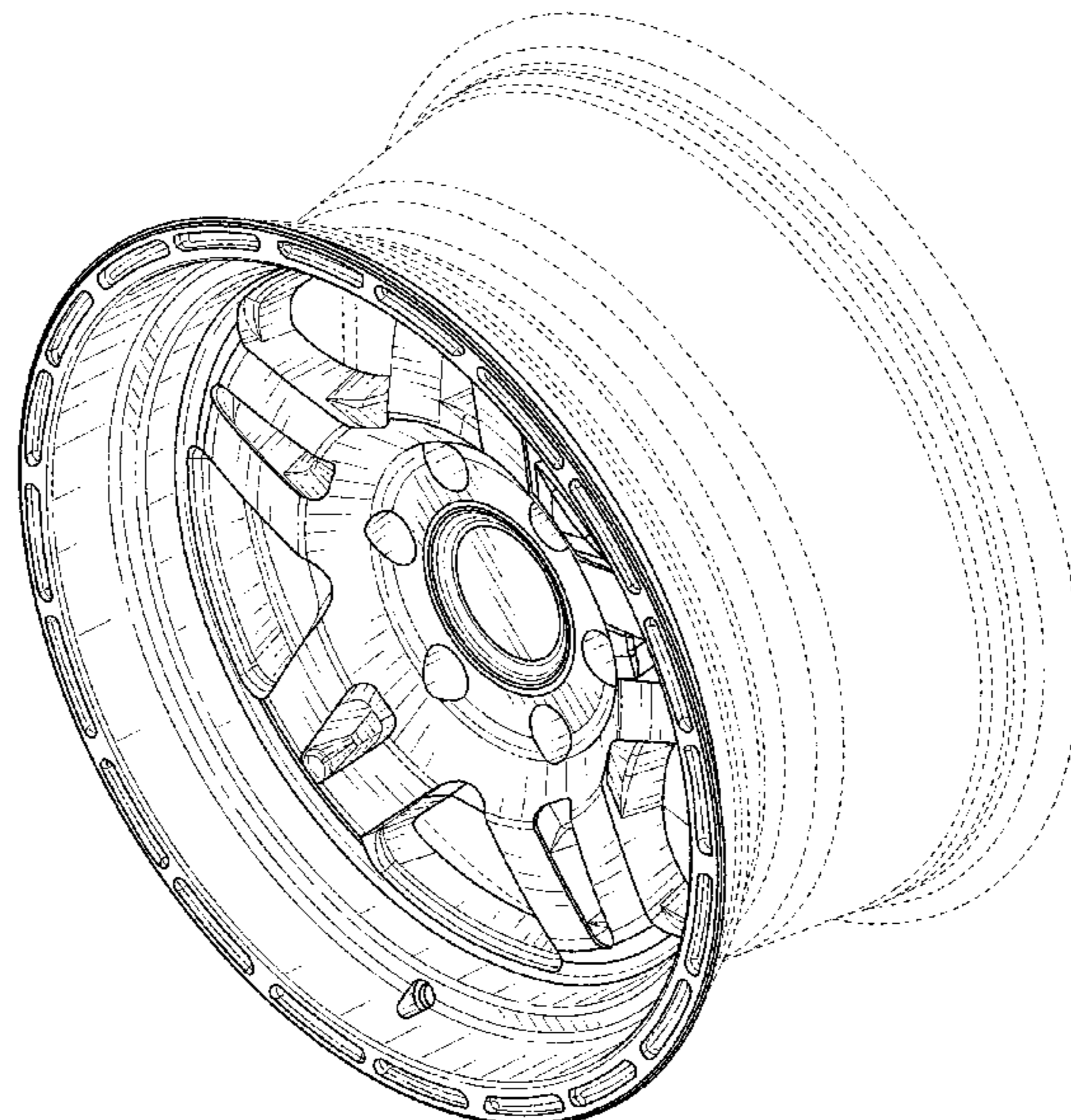
(57) **CLAIM**

The ornamental design for a wheel, as shown and described.

**DESCRIPTION**

FIG. 1 is a perspective view of a wheel showing my new design; and, FIG. 2 is a front view thereof. In the drawings, the broken lines depict portions of the wheel that form no part of the claimed design.

**1 Claim, 2 Drawing Sheets**



(56)

**References Cited**

U.S. PATENT DOCUMENTS

D714,705 S	10/2014	Kong	
D714,706 S	10/2014	Chung	
D726,628 S	4/2015	Kong	
D733,027 S	6/2015	Chung	
D735,104 S	7/2015	Hodges	
D739,803 S	9/2015	Miansian	
D748,556 S	2/2016	Valencia Pollex	
D749,030 S	2/2016	Zhao	
D750,003 S	2/2016	Ahmad	
D755,694 S	5/2016	Valencia Pollex	
D756,287 S	5/2016	Koglin	
D764,373 S	8/2016	Valencia Pollex	
D769,166 S	10/2016	Juergens	
D770,960 S	11/2016	Svensson	
D775,578 S	1/2017	Johnson	
D786,160 S *	5/2017	Youssef .....	D12/211
D879,005 S *	3/2020	Zelenak .....	D12/211
D920,879 S *	6/2021	Hale, Jr. ....	D12/209
D976,786 S *	1/2023	Koo .....	D12/209
2022/0063328 A1 *	3/2022	Fattouche .....	B60B 7/061

OTHER PUBLICATIONS

American Racing AR23 Black Painted, available in TireRack.com, announced Year 2022 [online], [site visited Feb. 3, 2023], Internet URL: <https://www.tirerack.com/wheels/american-racing-ar23-black-painted>.\*

American Racing AR929 Gloss Black Painted, available in TireRack.com, announced Year 2022 [online], [site visited Feb. 3, 2023], Internet URL: <https://www.tirerack.com/wheels/american-racing-ar929-gloss-black-painted>.\*

\* cited by examiner

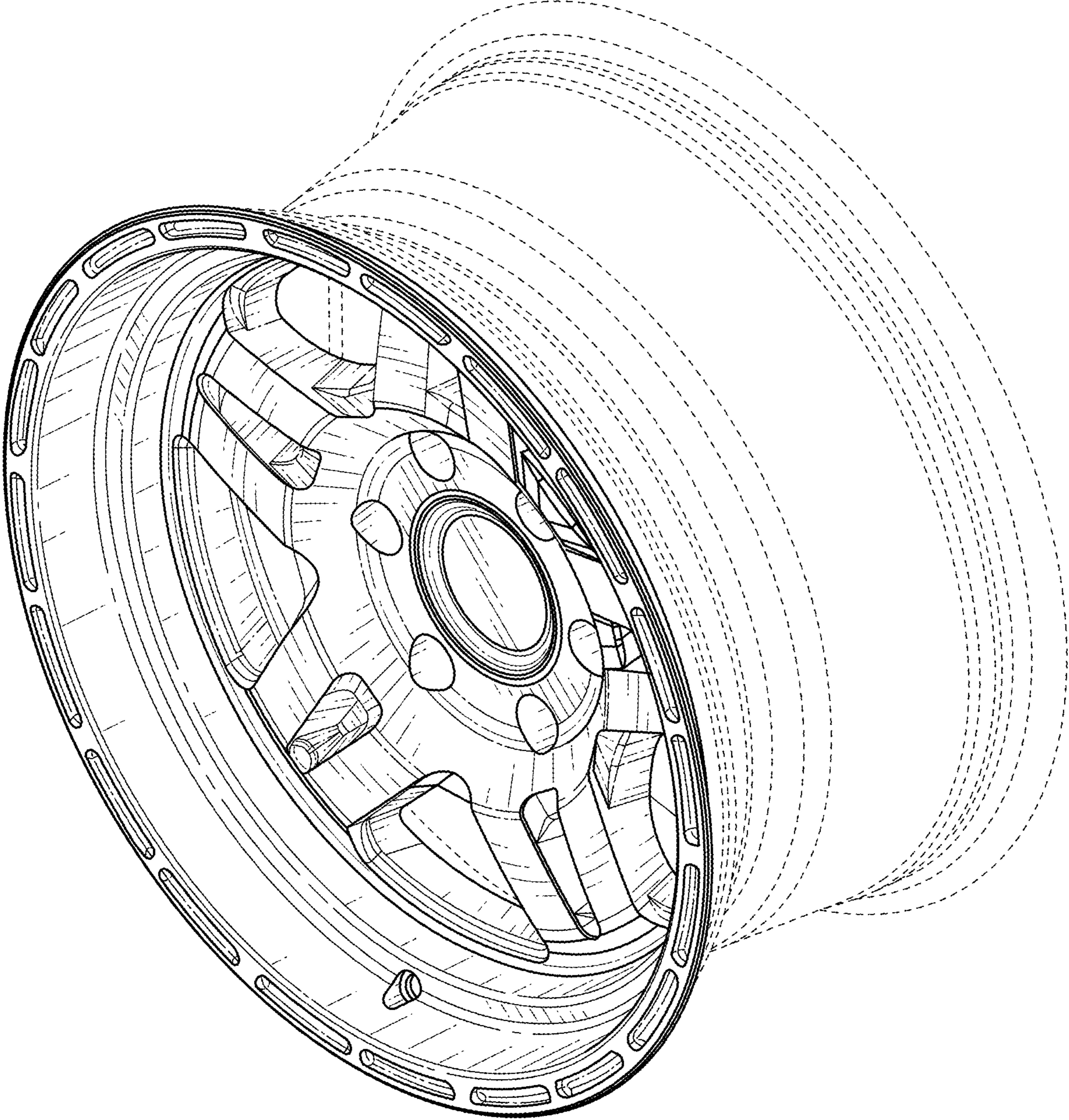


FIG. 1

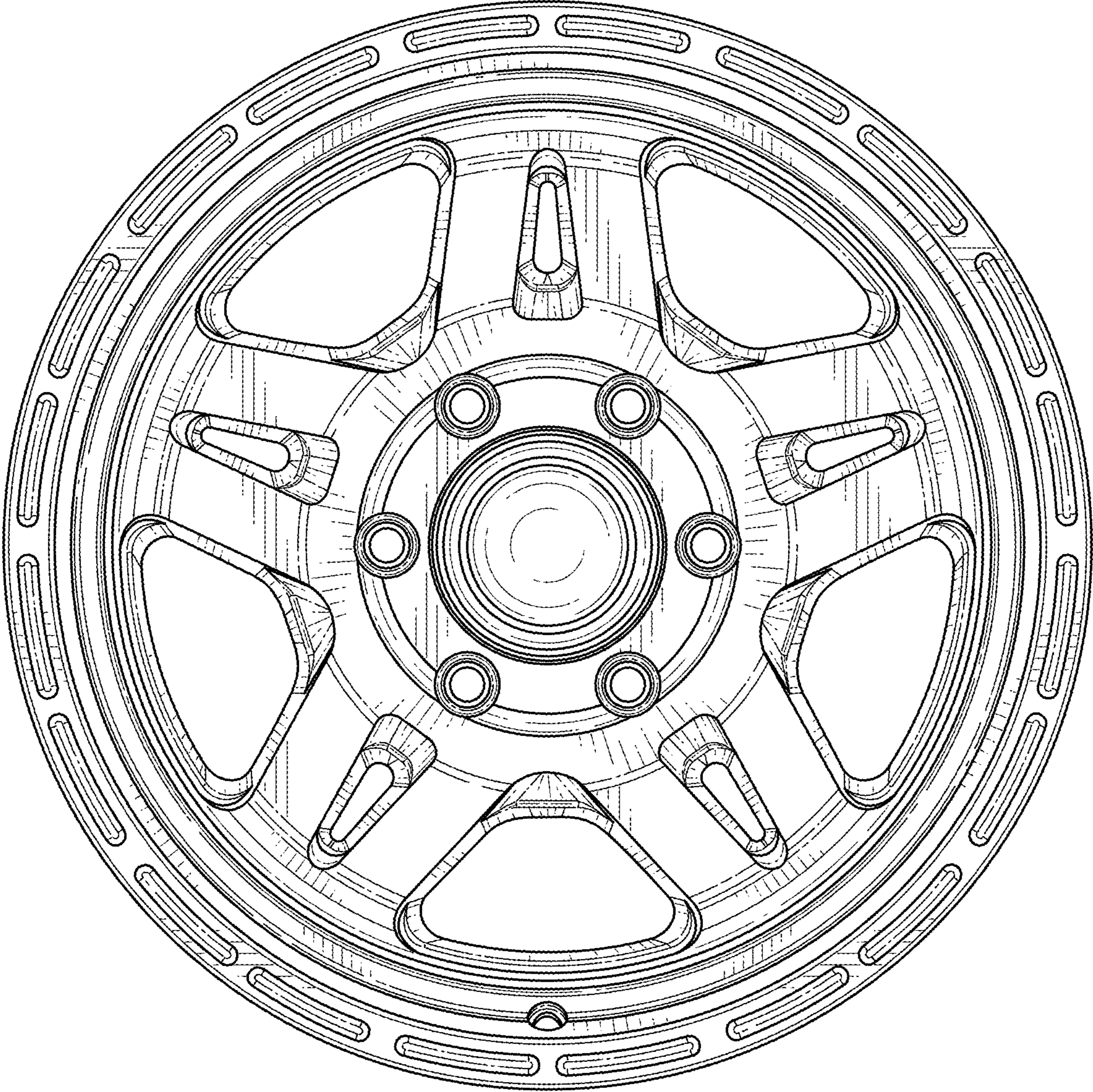


FIG. 2