



US00D986127S

(12) **United States Design Patent**
Tian

(10) **Patent No.:** **US D986,127 S**

(45) **Date of Patent:** **** May 16, 2023**

(54) **CAR WINDOW SWITCH BUTTON FRAME**

(71) Applicant: **Shenzhen Zhengtu Auto Accessories Co., Ltd.**, Shenzhen (CN)

(72) Inventor: **Xin Tian**, Shenzhen (CN)

(73) Assignee: **SHENZHEN ZHENG TU AUTO ACCESSORIES CO., LTD.**, Shenzhen (CN)

D507,471 S *	7/2005	Schowalter	D8/306
D587,980 S *	3/2009	Rosenbohm	D8/303
D685,707 S *	7/2013	Yu	D12/195
D821,947 S *	7/2018	Kasparian	D12/345
D829,142 S *	9/2018	Sheffield	D12/195
D844,517 S *	4/2019	Brisbourne	D12/195
D855,527 S *	8/2019	Buffery	D12/195
D882,478 S *	4/2020	Buffery	D12/195
D958,036 S *	7/2022	Jenkins	D12/195
D971,805 S *	12/2022	Szczupak	D12/195
2009/0121515 A1 *	5/2009	Shiono	B60N 3/026 52/745.16

(**) Term: **15 Years**

* cited by examiner

(21) Appl. No.: **29/856,839**

Primary Examiner — Katrina A Betton

(22) Filed: **Oct. 18, 2022**

Related U.S. Application Data

(63) Continuation-in-part of application No. 29/847,016, filed on Jul. 21, 2022.

(51) **LOC (14) Cl.** **12-16**

(52) **U.S. Cl.**
USPC **D12/195**

(58) **Field of Classification Search**
USPC D12/195, 193, 414, 190, 196; D15/17, D15/28; D10/46, 98, 102-103; D8/302-303, 356
CPC B60J 5/04; B62D 31/02; B64D 11/064
See application file for complete search history.

(56) **References Cited**

U.S. PATENT DOCUMENTS

D493,399 S *	7/2004	Schowalter	D12/195
D496,579 S *	9/2004	Pfeiffer	D8/343

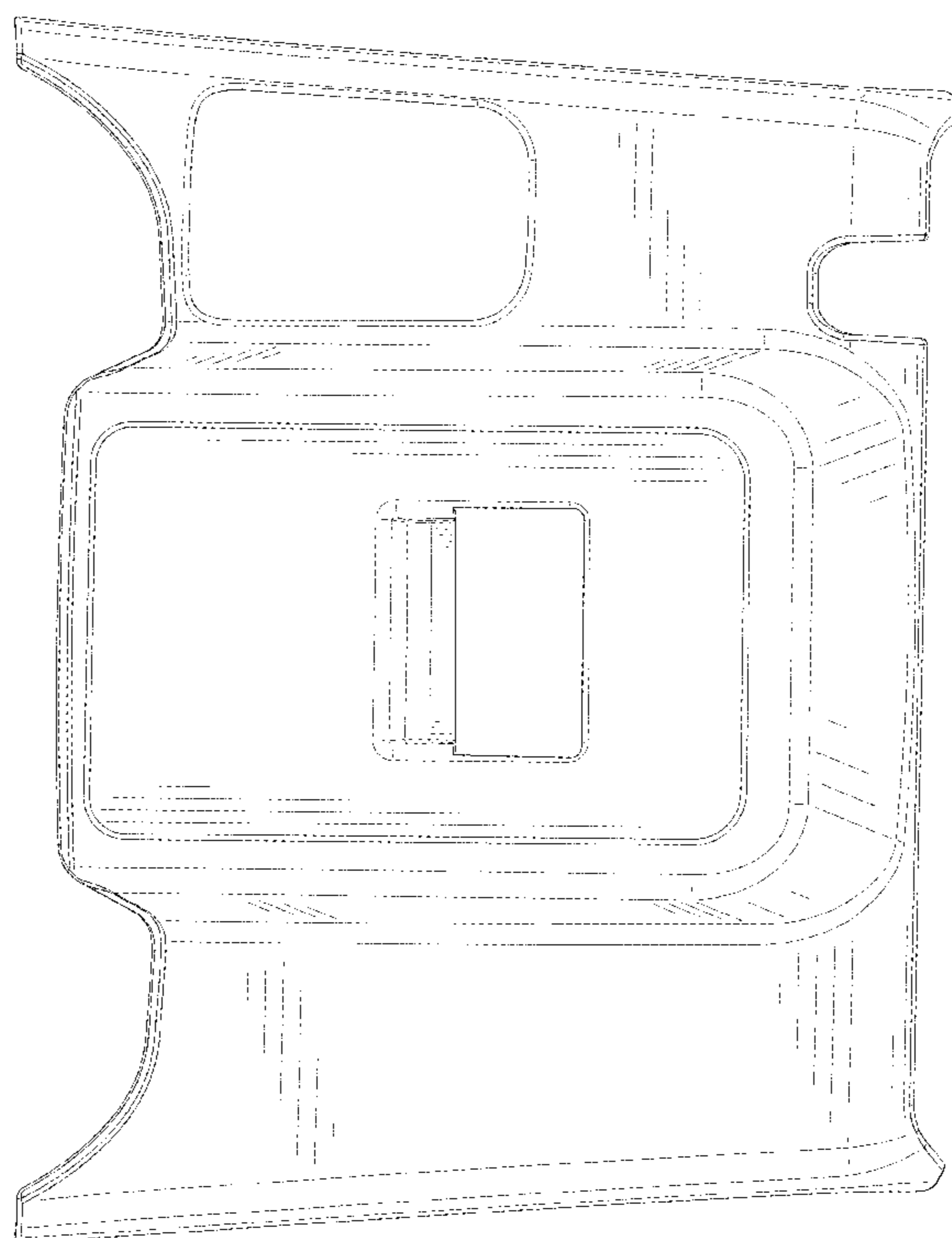
(57) **CLAIM**

The ornamental design for a car window switch button frame, as shown and described.

DESCRIPTION

FIG. 1 is a perspective view of a car window switch button frame showing my new design;
FIG. 2 is another perspective view thereof;
FIG. 3 is a front elevational view thereof;
FIG. 4 is a rear elevational view thereof;
FIG. 5 is a left side elevational view thereof;
FIG. 6 is a right side elevational view thereof;
FIG. 7 is a top plan view thereof; and,
FIG. 8 is a bottom plan view thereof.

1 Claim, 8 Drawing Sheets



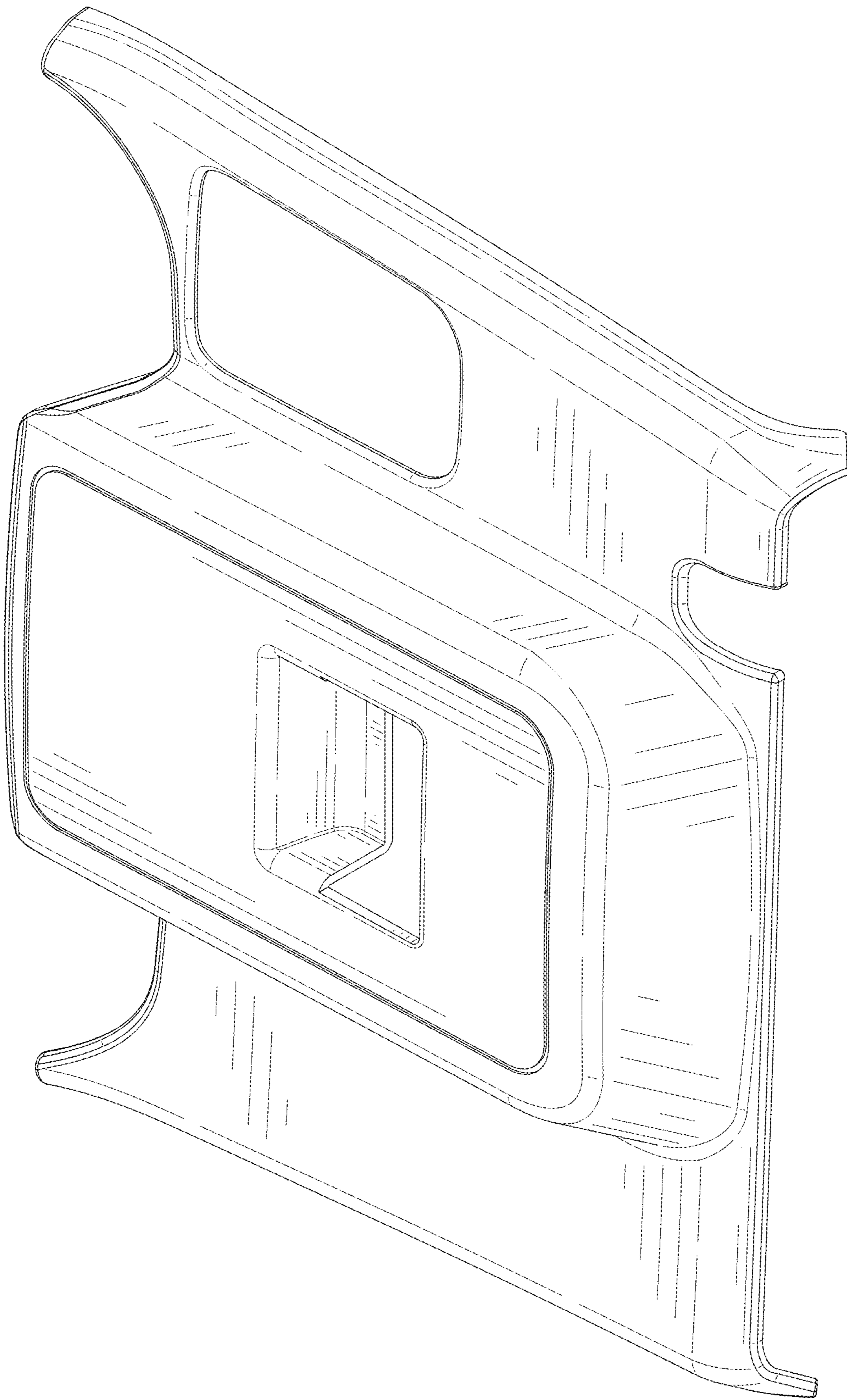


FIG. 1

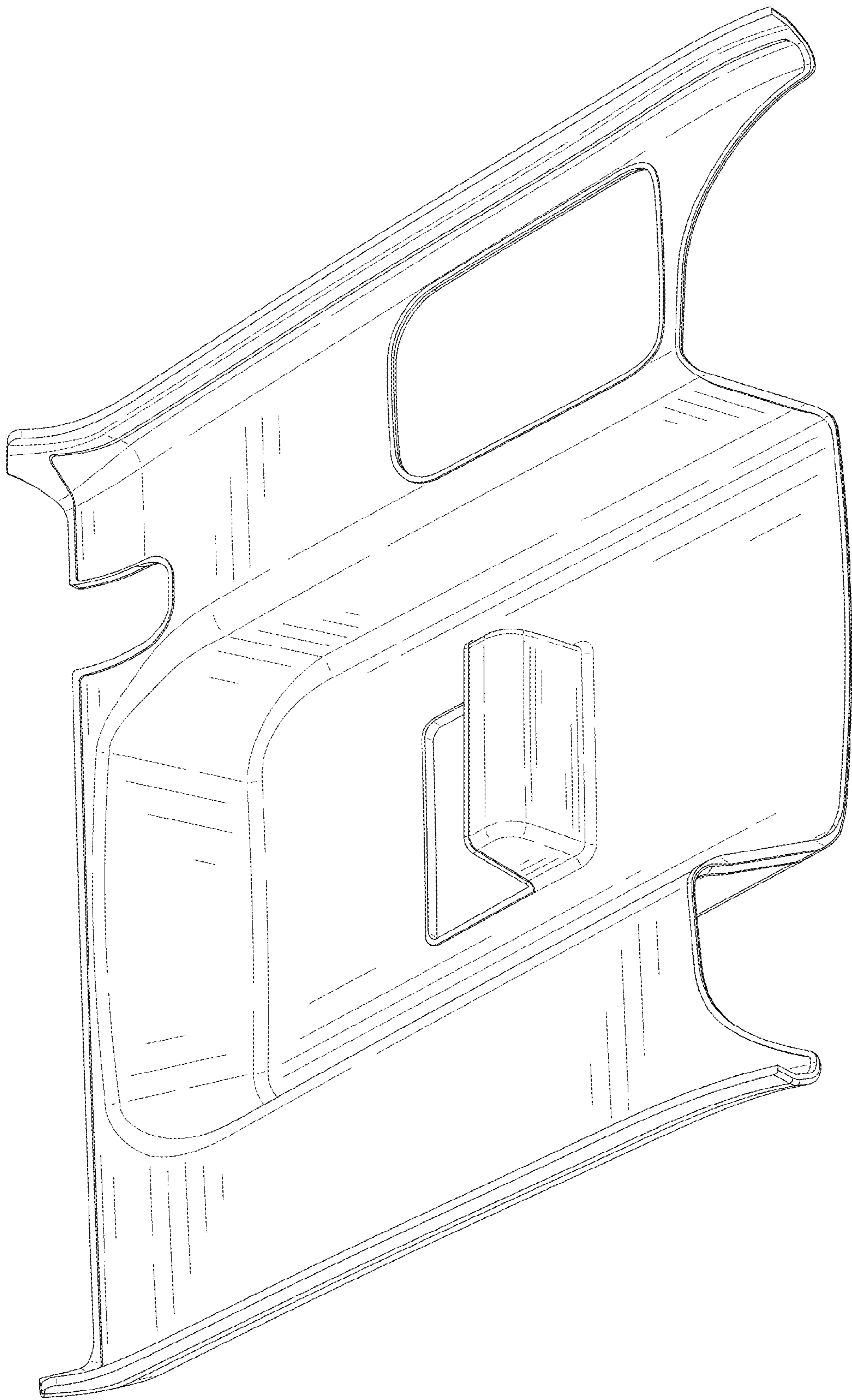


FIG. 2

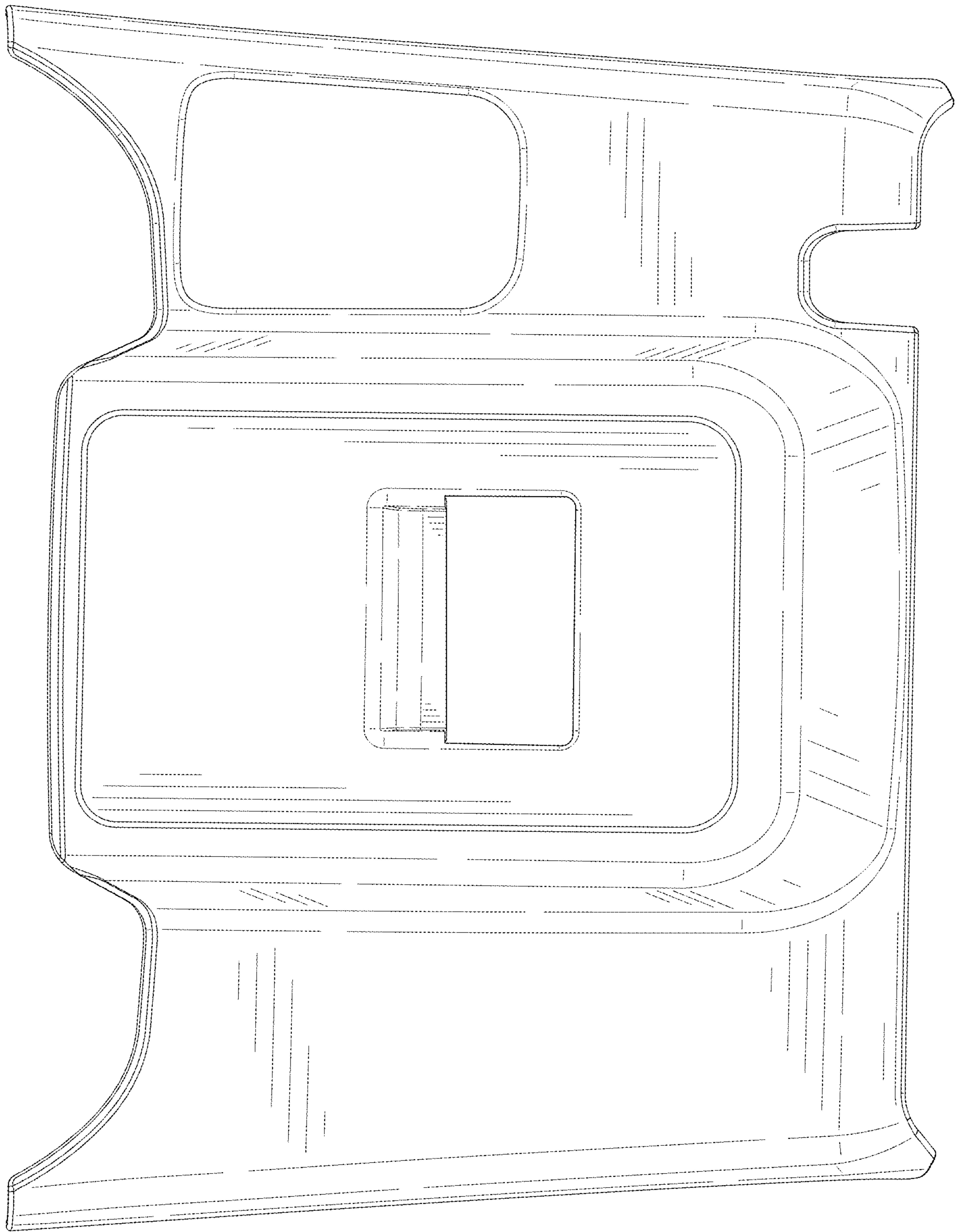


FIG. 3

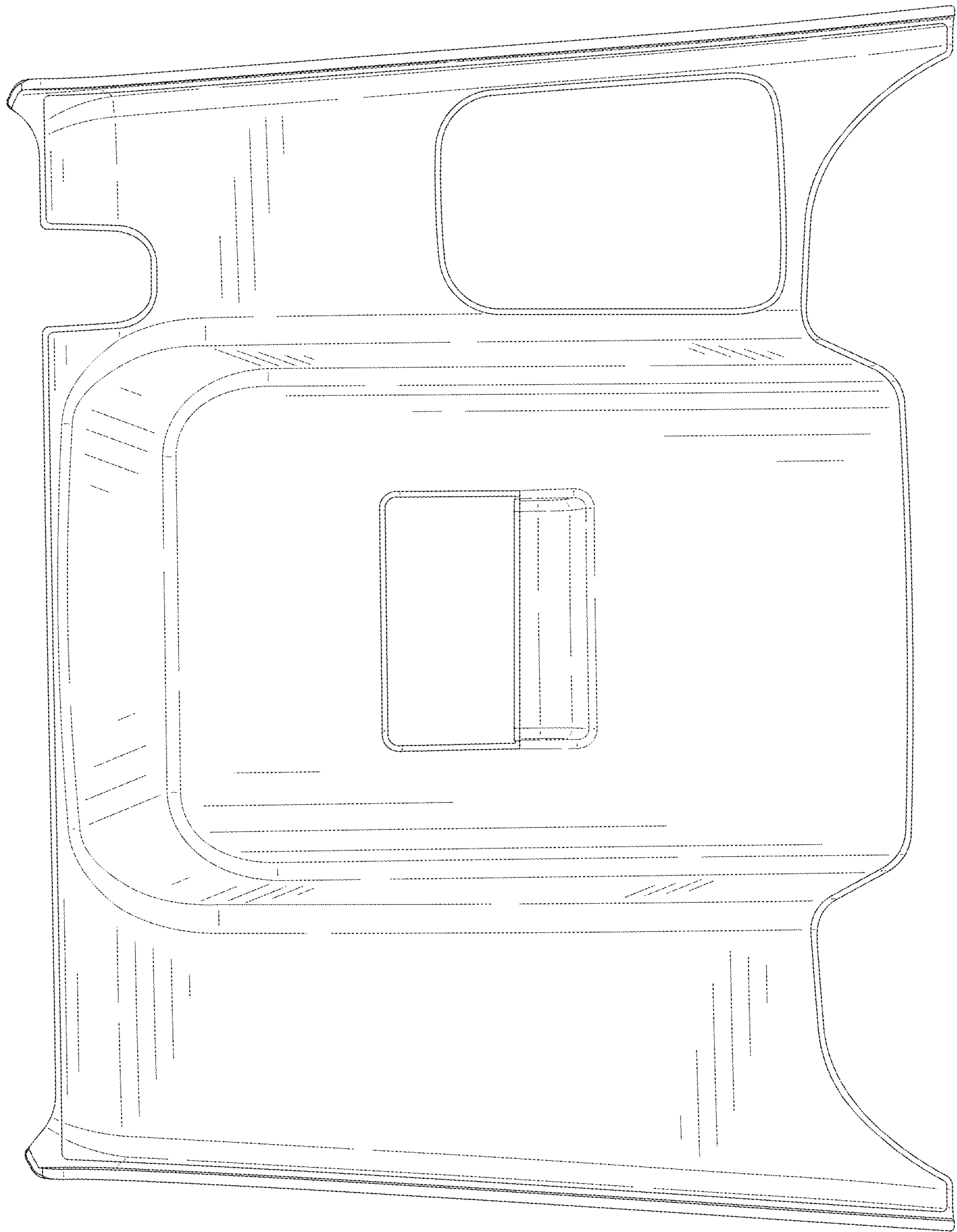


FIG. 4

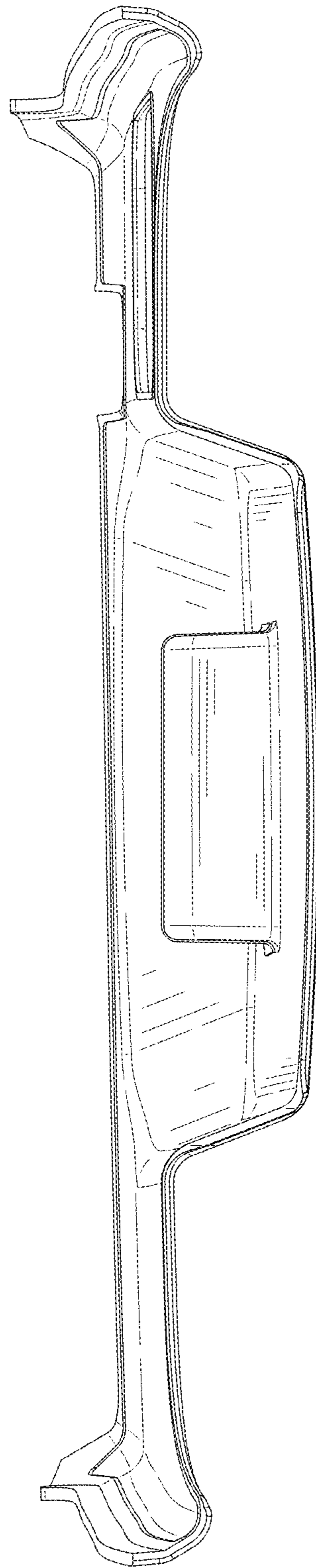


FIG. 5

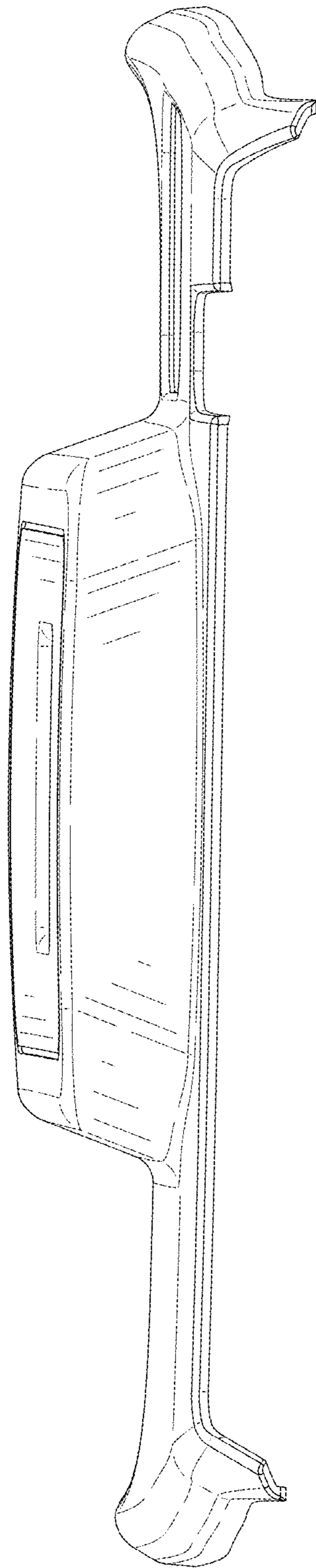


FIG. 6

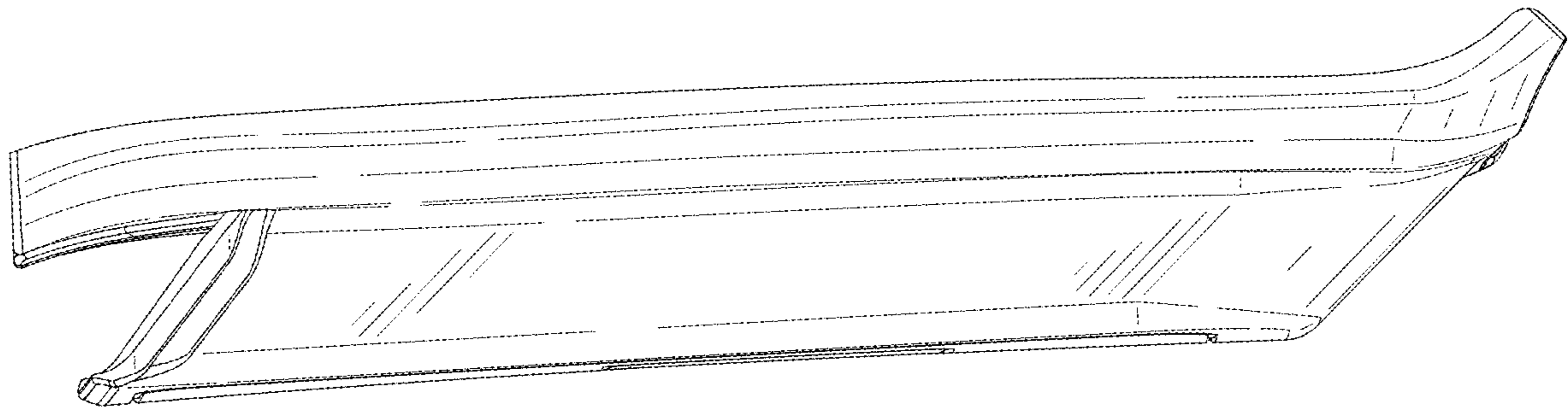


FIG. 7

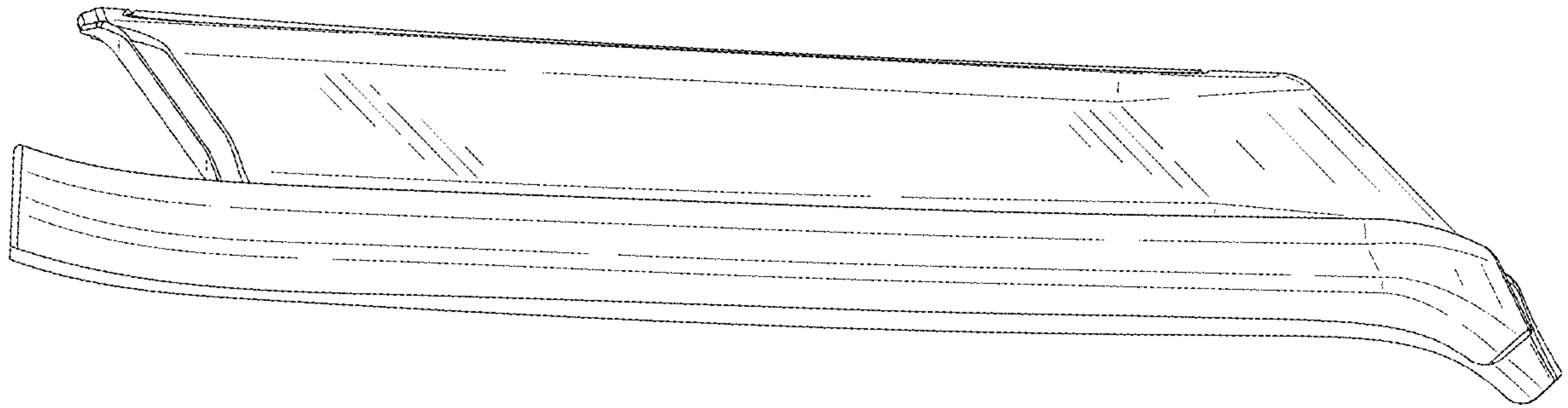


FIG. 8