



US00D986126S

(12) **United States Design Patent** (10) **Patent No.:** **US D986,126 S**  
**Willing et al.** (45) **Date of Patent:** **\*\* \*May 16, 2023**

- (54) **VEHICLE C-PILLAR BRACE**
- (71) Applicant: **Ford Global Technologies, LLC**,  
Dearborn, MI (US)
- (72) Inventors: **Todd Willing**, East Melbourne (AU);  
**Paul Wraith**, West Bloomfield, MI  
(US); **Dong H. Park**, Canton, MI (US);  
**Ryan A. Olsson**, Farmington Hills, MI  
(US)
- (73) Assignee: **Ford Global Technologies, LLC**,  
Dearborn, MI (US)
- (\*) Notice: This patent is subject to a terminal dis-  
claimer.
- (\*\*) Term: **15 Years**
- (21) Appl. No.: **29/747,549**
- (22) Filed: **Aug. 24, 2020**
- (51) **LOC (14) Cl.** ..... **12-16**
- (52) **U.S. Cl.**  
USPC ..... **D12/195**
- (58) **Field of Classification Search**  
USPC ..... D12/190, 193, 195, 196, 414, 222, 223,  
D12/400, 401, 404, 406, 412  
CPC ..... B62D 25/088; B62D 31/00  
See application file for complete search history.

- (56) **References Cited**  
U.S. PATENT DOCUMENTS  
D262,790 S \* 1/1982 Bernier ..... D12/222  
D655,668 S \* 3/2012 Levorato ..... D12/222  
D714,699 S \* 10/2014 Conway ..... D12/195  
D781,207 S \* 3/2017 Johnson ..... D12/222  
D784,899 S \* 4/2017 McConnell ..... D12/222  
D841,558 S \* 2/2019 Mosingo ..... D12/222

D894,068 S *	8/2020	Smith	.....	D12/181
D920,883 S *	6/2021	Yung	.....	D12/222
2008/0174894 A1 *	7/2008	Meier	.....	B60R 1/0605 359/872
2013/0082484 A1 *	4/2013	Wagner	.....	B62D 31/00 296/210
2014/0306417 A1 *	10/2014	McCormick	.....	B62D 25/088 280/124.147

**OTHER PUBLICATIONS**

Unknown, My observations from seeing see the actual 4-door Bronco raw, unpainted sheet metal shell, Feb. 15, 2020 <https://www.bronco6g.com/forum/threads/my-observations-from-seeing-see-the-actual-4-door-bronco-raw-unpainted-sheet-metal-shell.1048/>.

Unknown, Here's the 2021 Bronco's Tail Light Shape Illuminated, Feb. 19, 2020 <https://www.bronco6g.com/forum/threads/heres-the-2021-broncos-tail-light-shape-illuminated.1071/>.

(Continued)

*Primary Examiner* — Susan E Krakower  
*Assistant Examiner* — Jerry Shiuhan-Hua Hsu  
(74) *Attorney, Agent, or Firm* — Marla Johnston

(57) **CLAIM**  
The ornamental design for a vehicle C-pillar brace, as shown and described.

**DESCRIPTION**

FIG. 1 is a front elevational view of a vehicle C-pillar brace, showing our new design;  
FIG. 2 is a rear elevational view thereof;  
FIG. 3 is a left side elevational view thereof;  
FIG. 4 is a right side elevational view thereof;  
FIG. 5 is a top plan view thereof;  
FIG. 6 is a bottom plan view thereof;  
FIG. 7 is a top, front and left side perspective view thereof;  
FIG. 8 is a top, front and right side perspective view thereof;  
and,  
FIG. 9 is a top, rear and right side perspective view thereof.

**1 Claim, 9 Drawing Sheets**



(56)

**References Cited**

OTHER PUBLICATIONS

Unknown, 2021 Bronco Interior Spied Undisguised!!, Feb. 25, 2020  
<https://www.bronco6g.com/forum/threads/2021-bronco-interior-spied-undisguised.1096/>.

Arrian Padeanu, 2021 Ford Bronco Gets Five Adventure Concepts To Mark SUVs Birthday, Aug. 13, 2020 <https://www.motor1.com/news/438885/2021-ford-bronco-adventure-concepts>.

\* cited by examiner

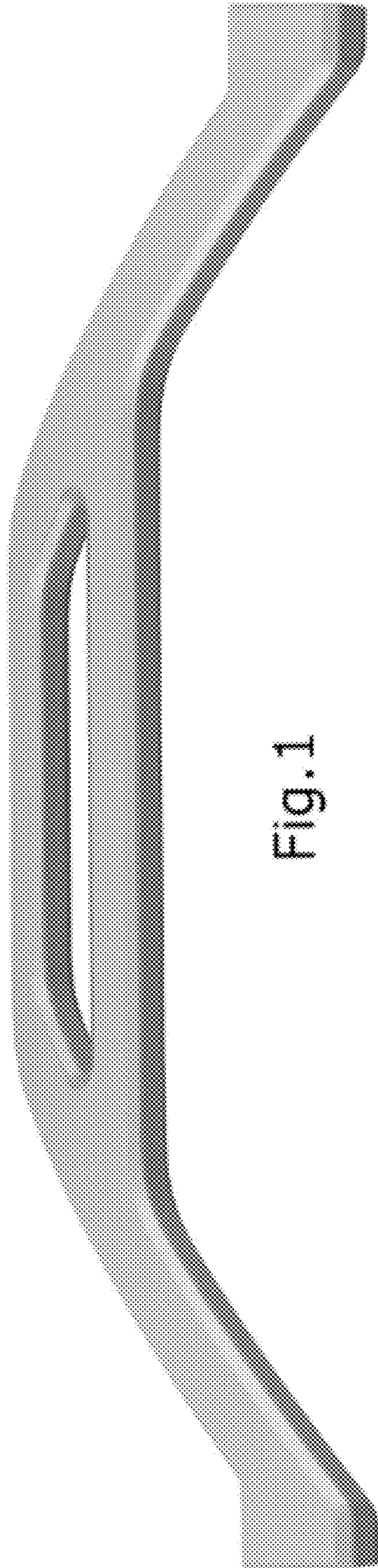


Fig. 1

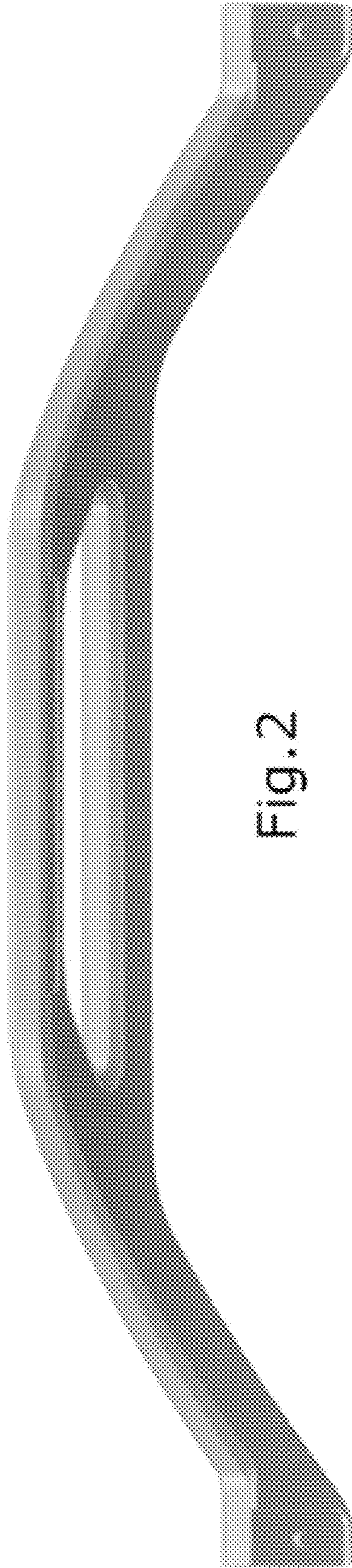


Fig. 2

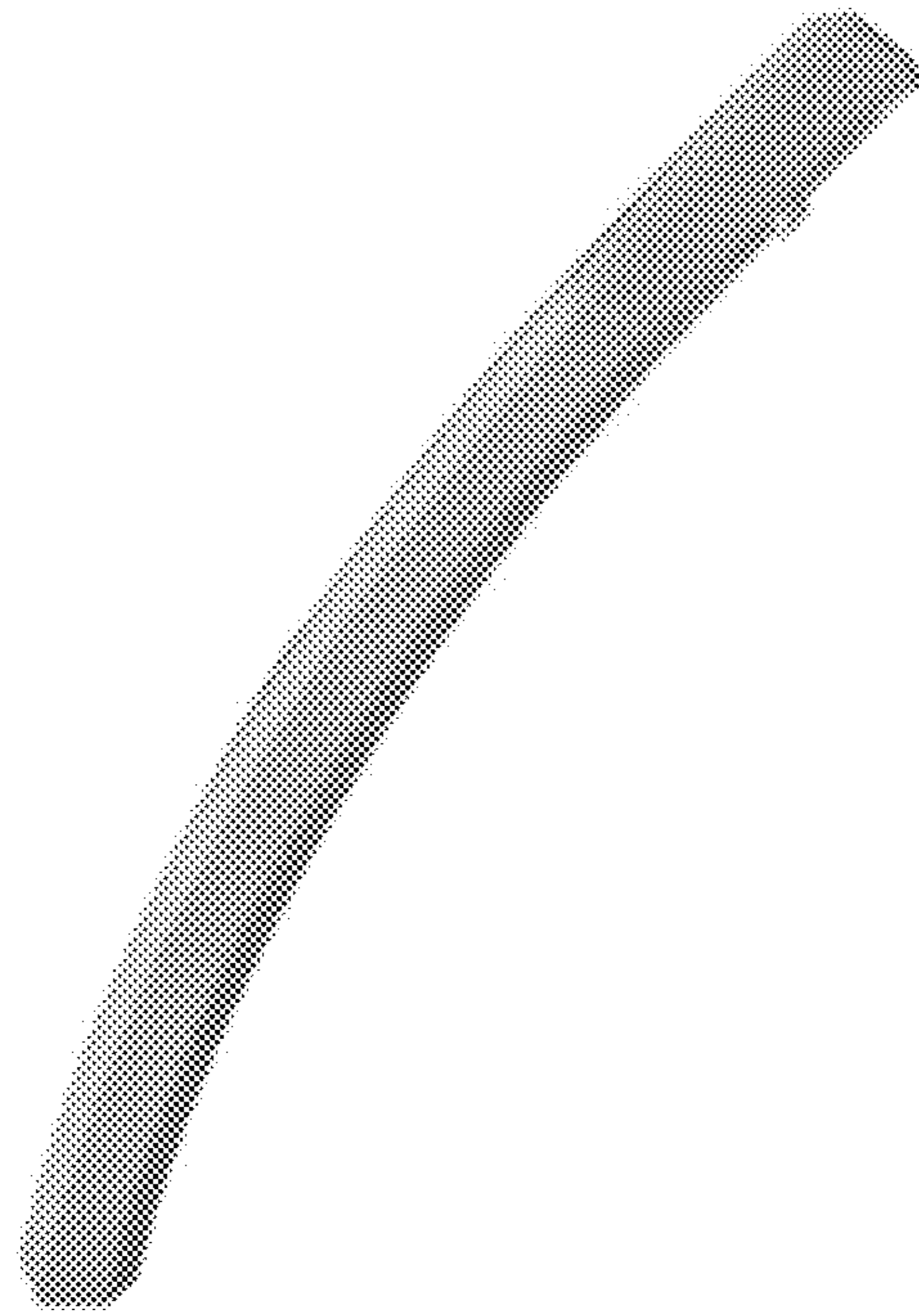


Fig. 3

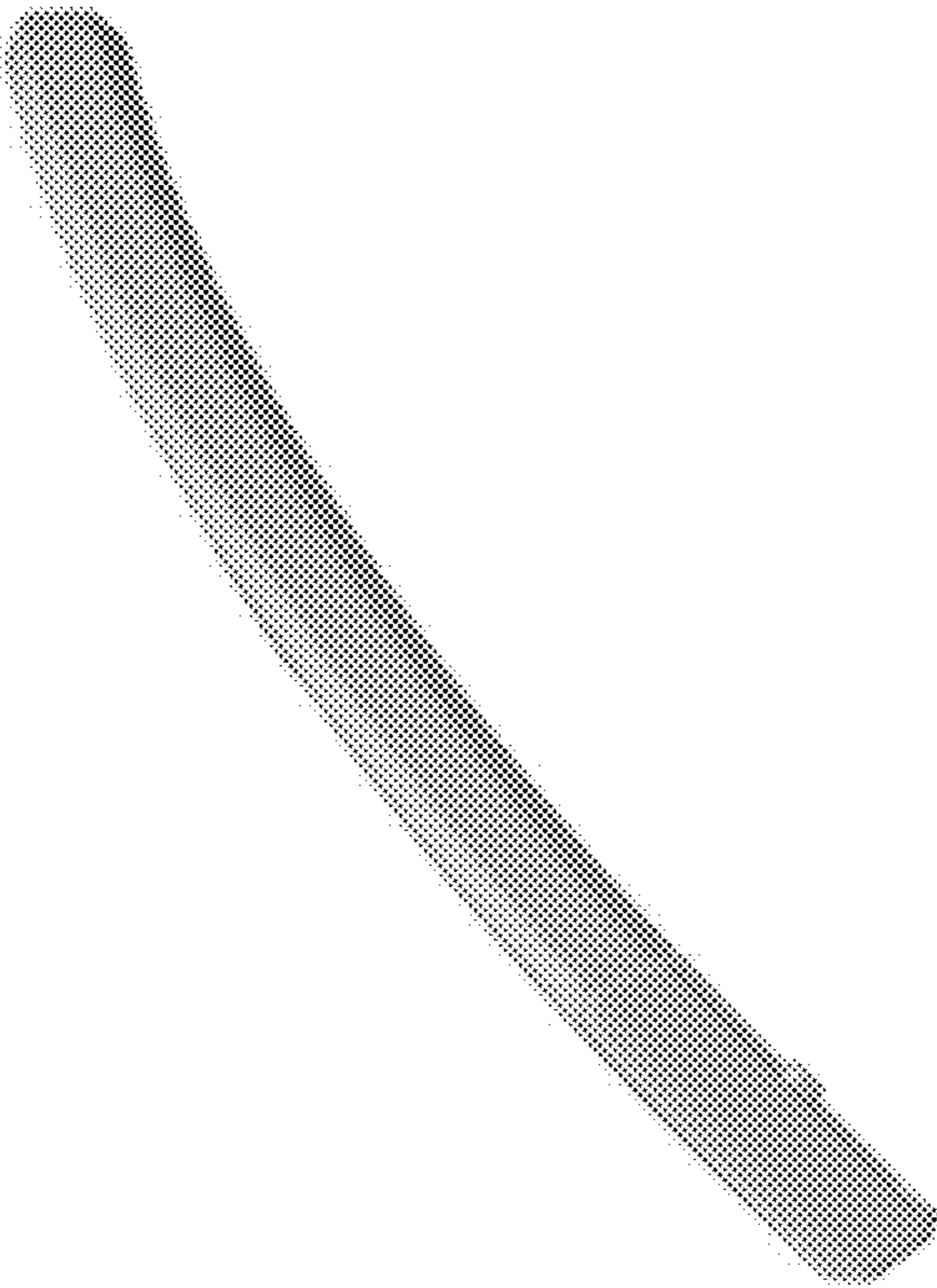


Fig.4

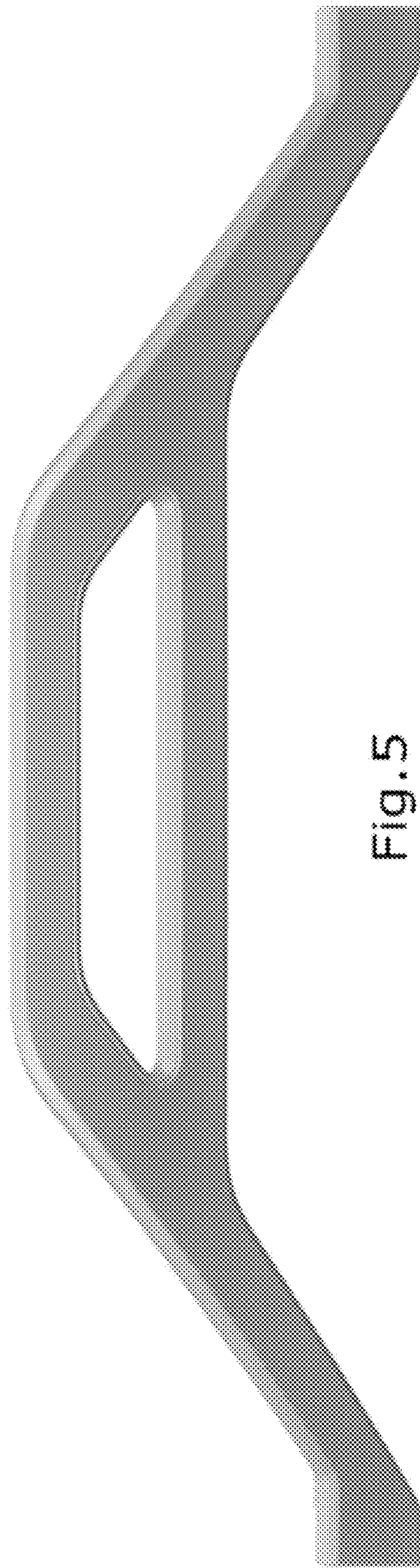


FIG. 5

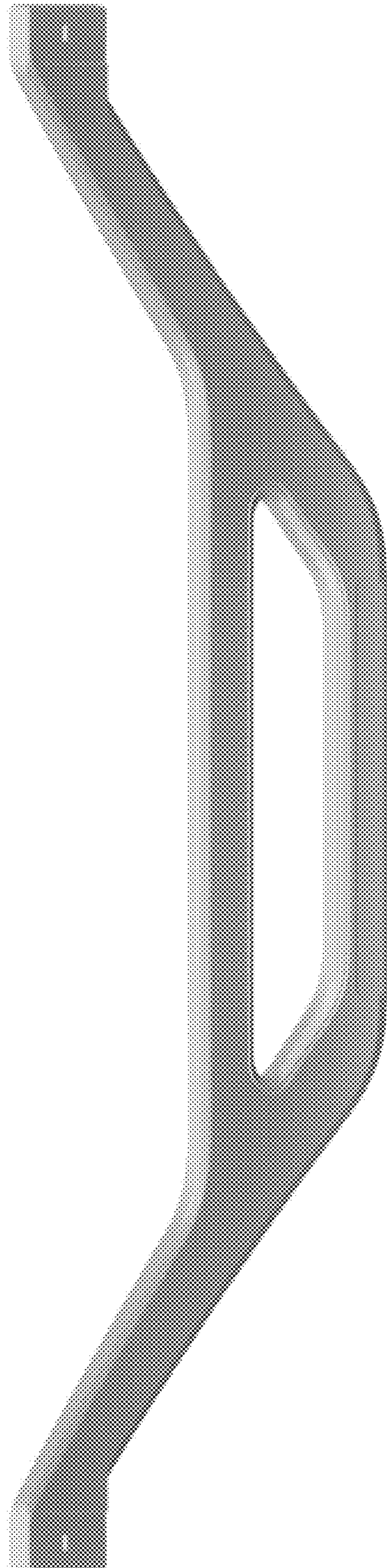


Fig. 6



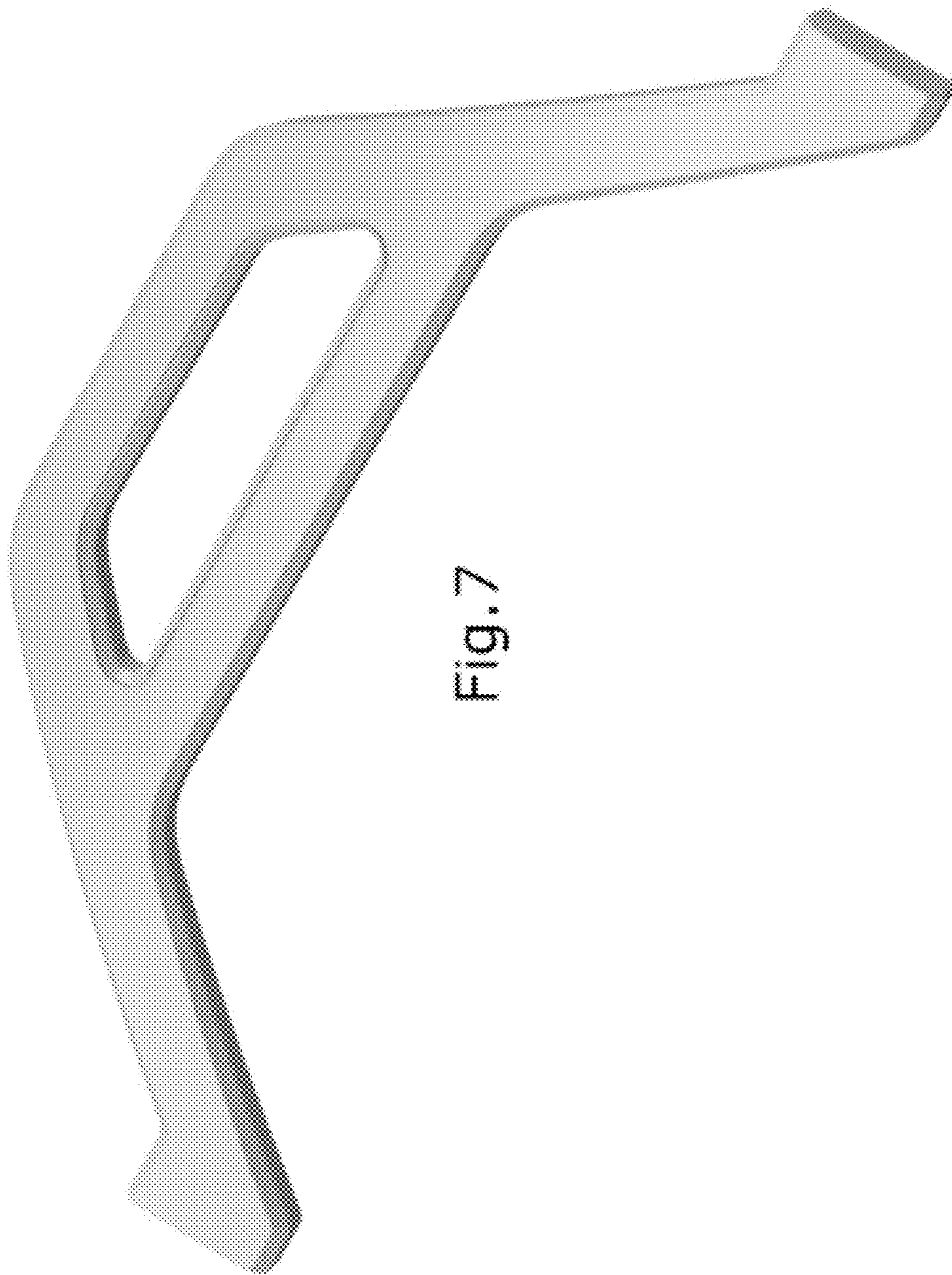


Fig. 7

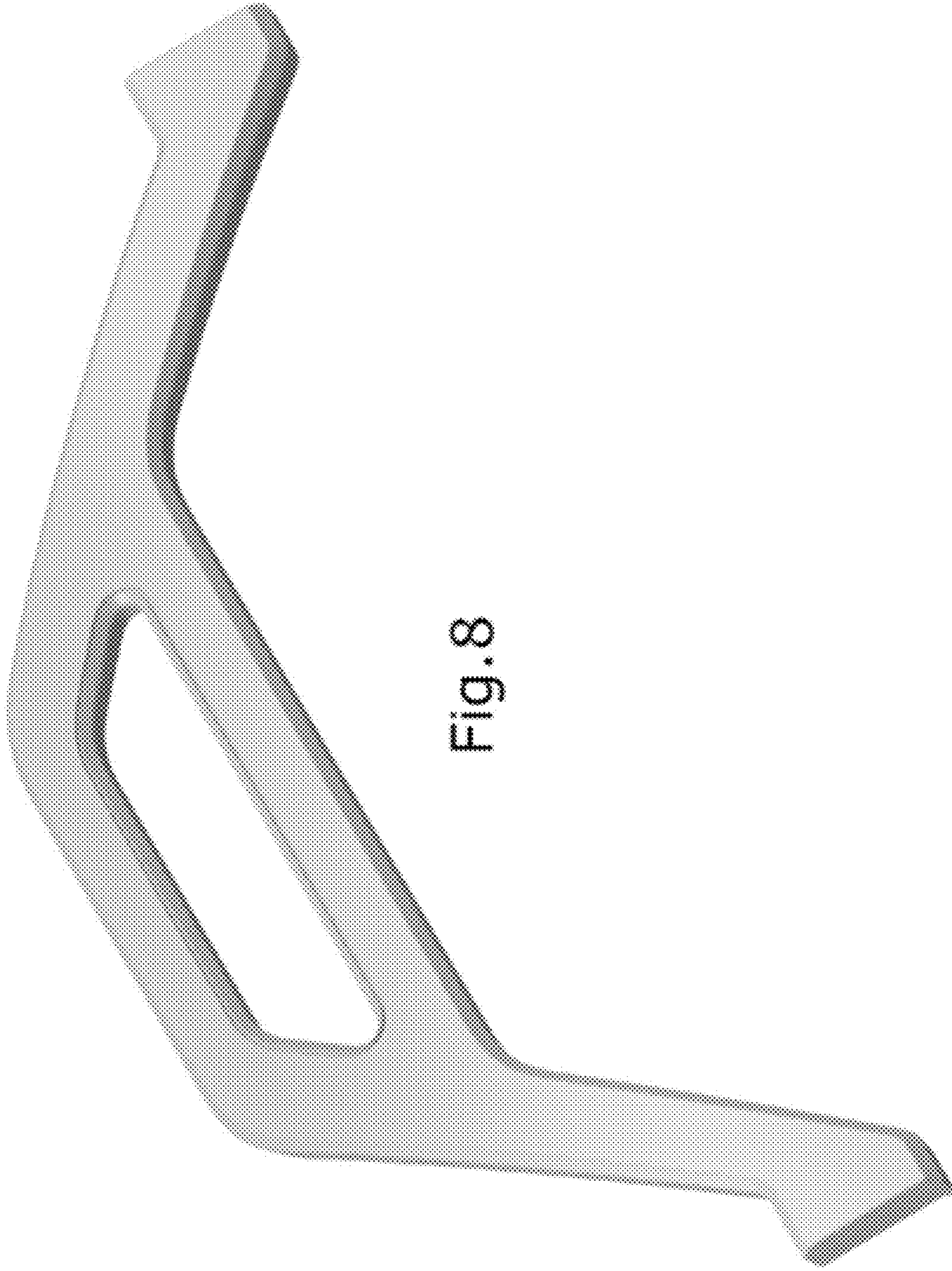


Fig. 8

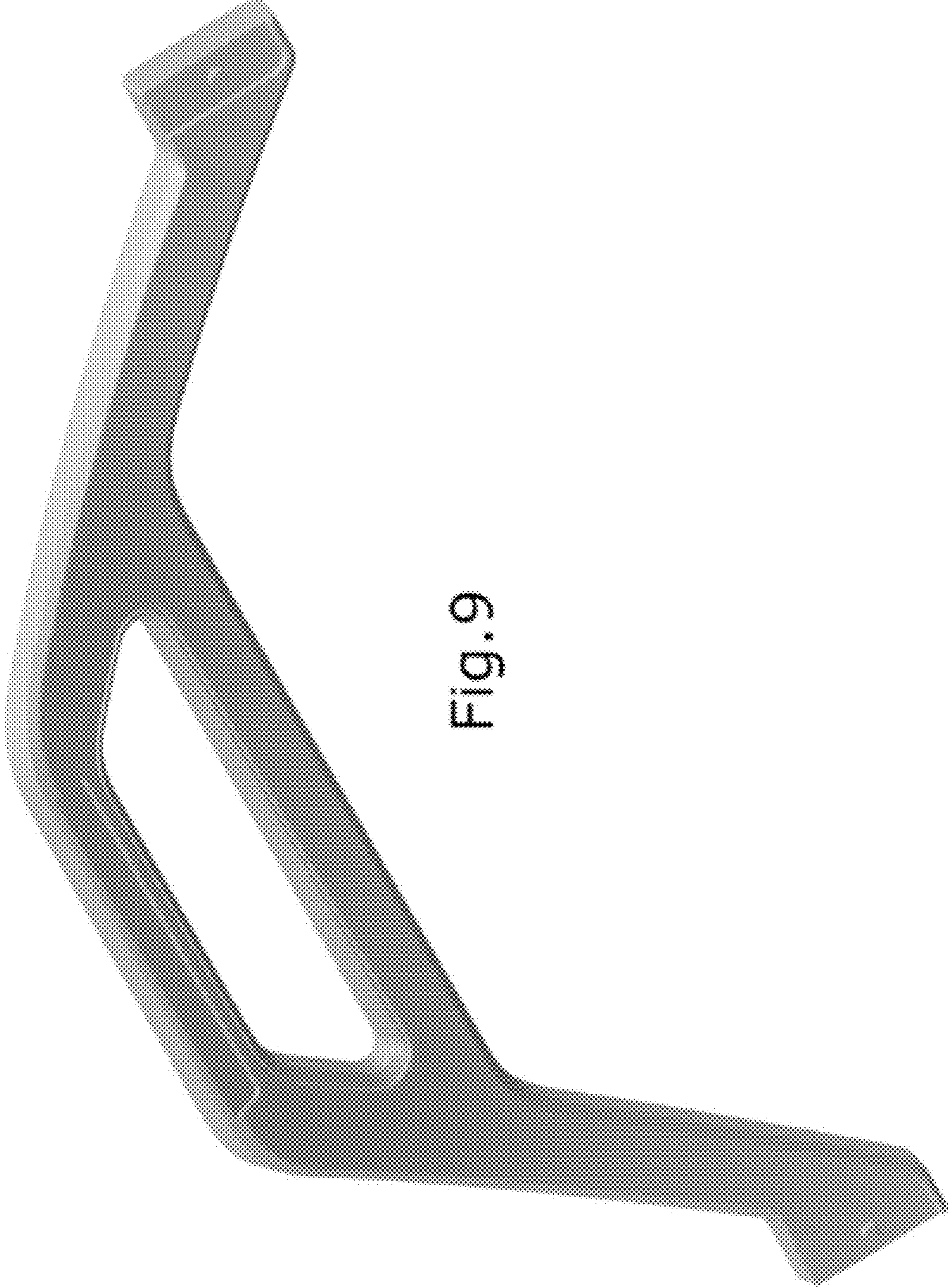


Fig. 9