



US00D986125S

(12) **United States Design Patent**
Chu et al.

(10) **Patent No.:** **US D986,125 S**

(45) **Date of Patent:** **** May 16, 2023**

- (54) **INSTRUMENT PANEL**
- (71) Applicant: **SUBARU CORPORATION**, Tokyo (JP)
- (72) Inventors: **Gary Chu**, Tustin, CA (US); **Te-Yuan Ma**, Tustin, CA (US)
- (73) Assignee: **SUBARU CORPORATION**, Tokyo (JP)
- (**) Term: **15 Years**
- (21) Appl. No.: **29/746,508**
- (22) Filed: **Aug. 14, 2020**
- (51) **LOC (14) Cl.** **12-16**
- (52) **U.S. Cl.**
USPC **D12/192**
- (58) **Field of Classification Search**
USPC D12/192, 114, 415, 421, 345
CPC B60R 7/04; B60R 7/06; B60R 7/08; B60K 37/02; B60K 37/04; B60K 37/06
See application file for complete search history.

- D874,371 S * 2/2020 Buffery D12/192
- D877,012 S * 3/2020 Ali D12/192
- D881,095 S * 4/2020 Finney D12/192
- D903,560 S * 12/2020 Takamura D12/192
- D908,569 S * 1/2021 Bernal D12/192
- D909,940 S * 2/2021 Roo-Clefas D12/192
- D939,414 S * 12/2021 Aizawa D12/192
- D947,090 S * 3/2022 Chergosky D12/192
- D952,531 S * 5/2022 Moon D12/192
- D953,228 S * 5/2022 Schneider D12/192

* cited by examiner

Primary Examiner — Susan E Krakower
Assistant Examiner — Jerry Shiuan-Hua Hsu
(74) *Attorney, Agent, or Firm* — McDermott Will & Emery LLP

(57) **CLAIM**

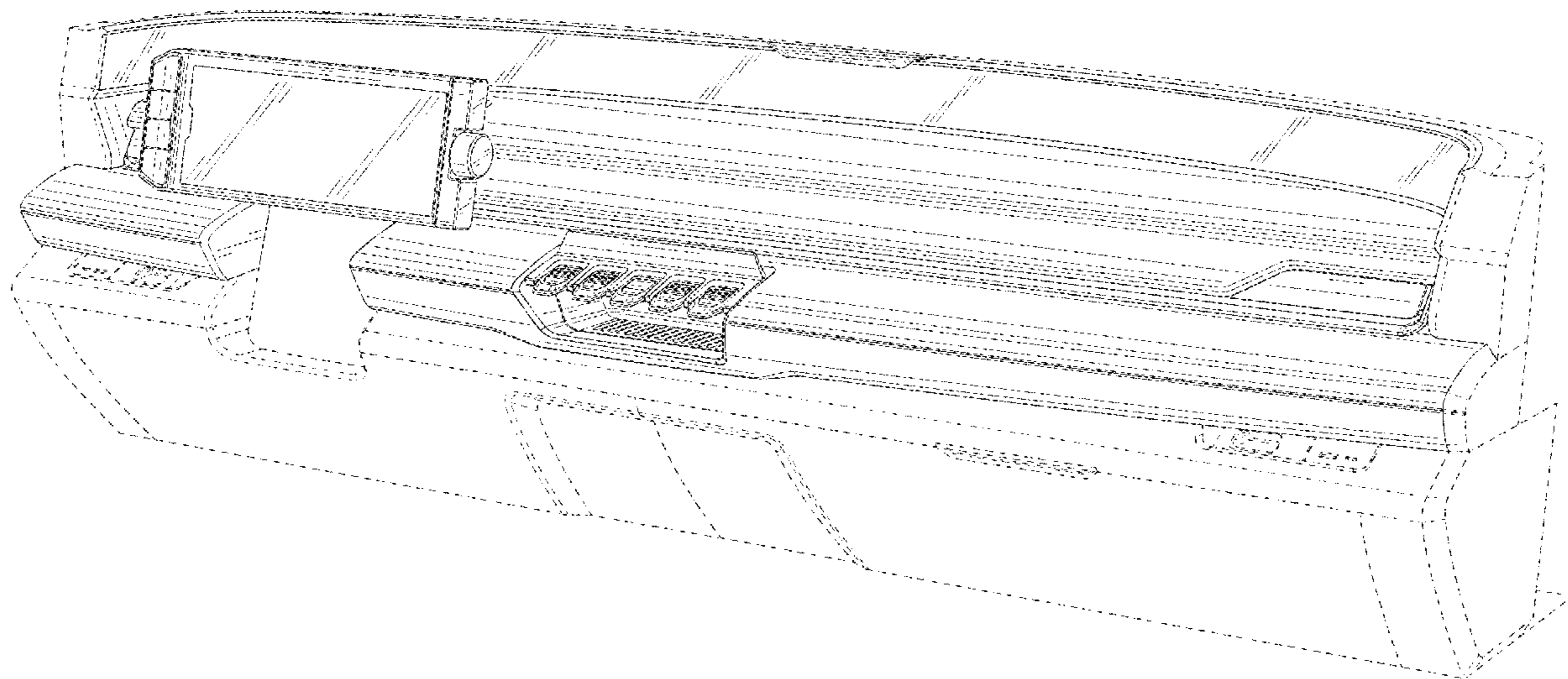
The ornamental design for an instrument panel, as shown and described.

DESCRIPTION

FIG. 1 is a top, front, right side perspective view of an instrument panel, showing our new design;
FIG. 2 is a top, front, left side perspective view thereof;
FIG. 3 is a front view thereof;
FIG. 4 is a rear view thereof;
FIG. 5 is a left-side view thereof;
FIG. 6 is a right-side view thereof;
FIG. 7 is a top view thereof; and,
FIG. 8 is a bottom view thereof.
The broken lines in the drawings illustrate portions of the instrumental panel which form no part of the claimed design.

1 Claim, 7 Drawing Sheets

- (56) **References Cited**
U.S. PATENT DOCUMENTS
- D480,671 S * 10/2003 Pfeiffer D12/192
- D494,908 S * 8/2004 Pfeiffer D12/192
- D826,814 S * 8/2018 Von Holzhausen D12/192
- D847,057 S * 4/2019 Kono D12/192
- D860,892 S * 9/2019 Ohmori D12/192
- D863,167 S * 10/2019 Moir D12/192



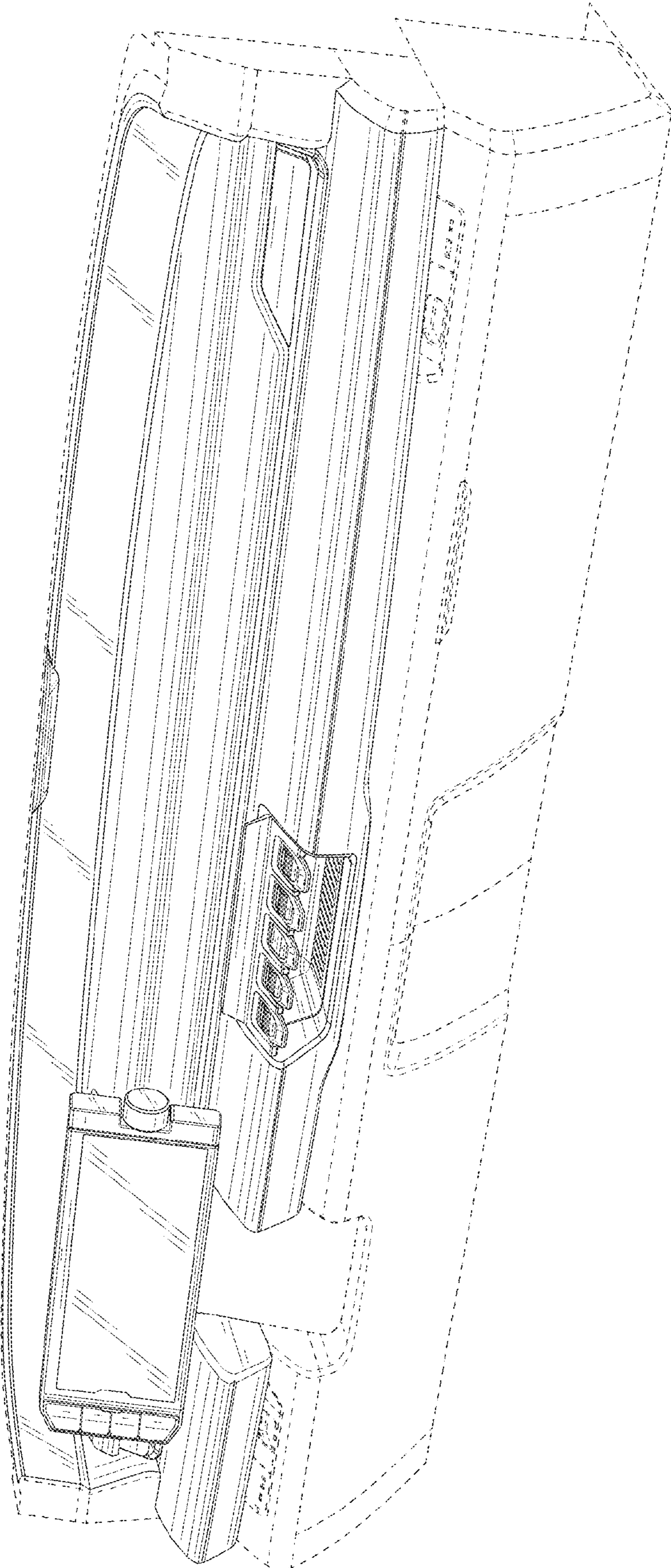


FIG. 1

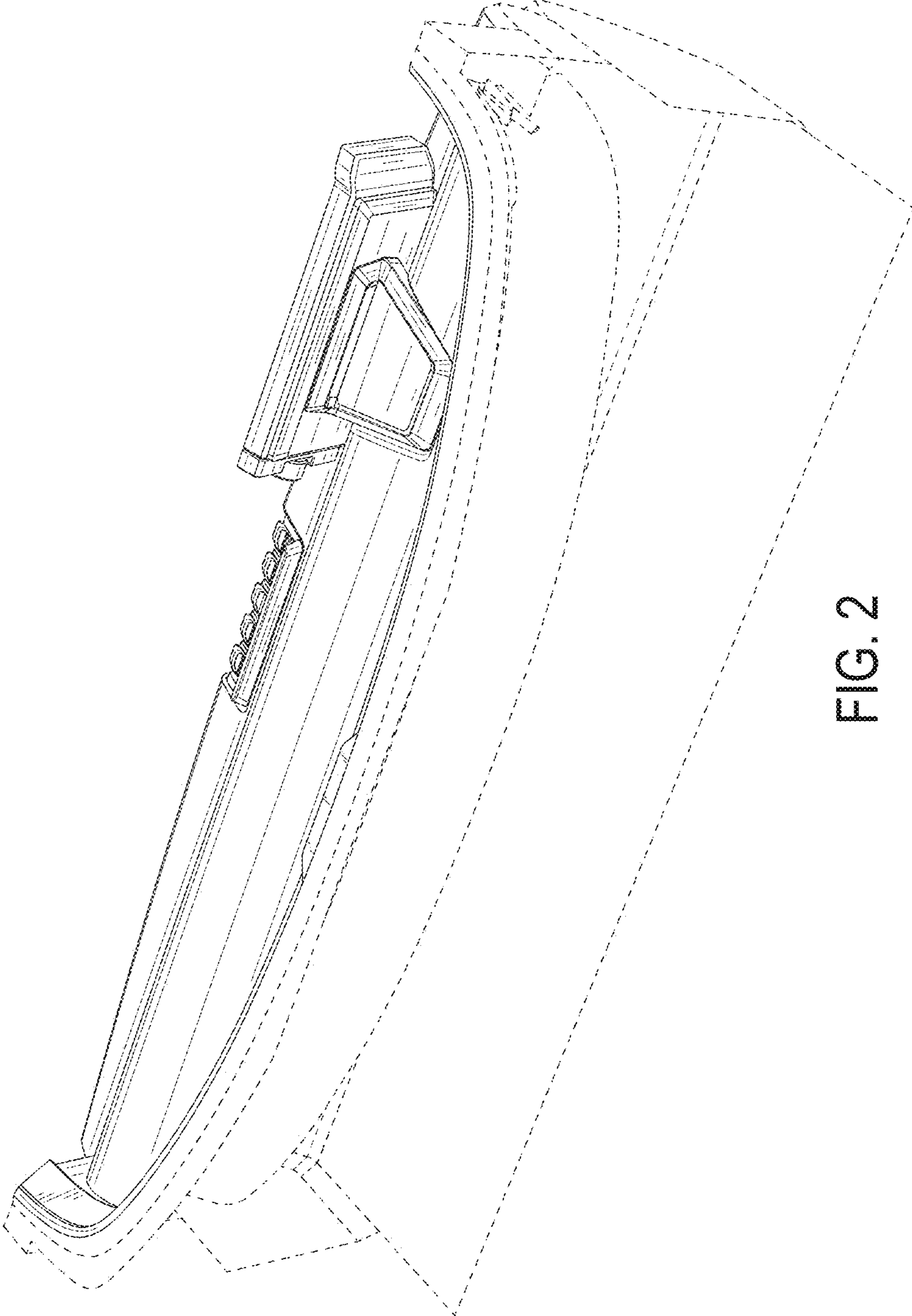


FIG. 2

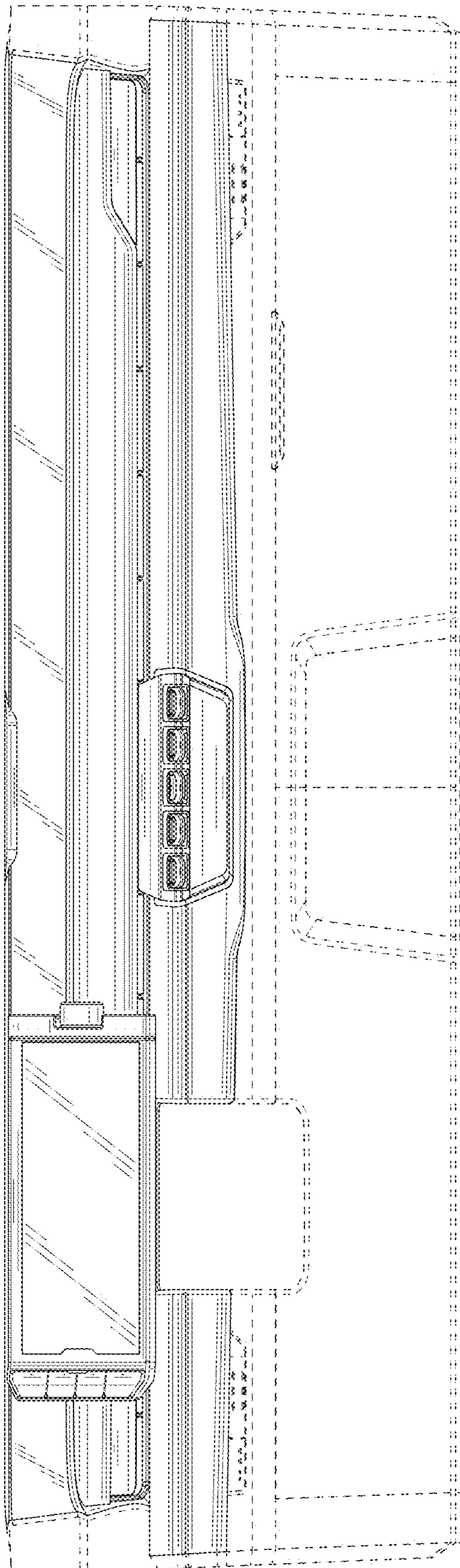


FIG. 3

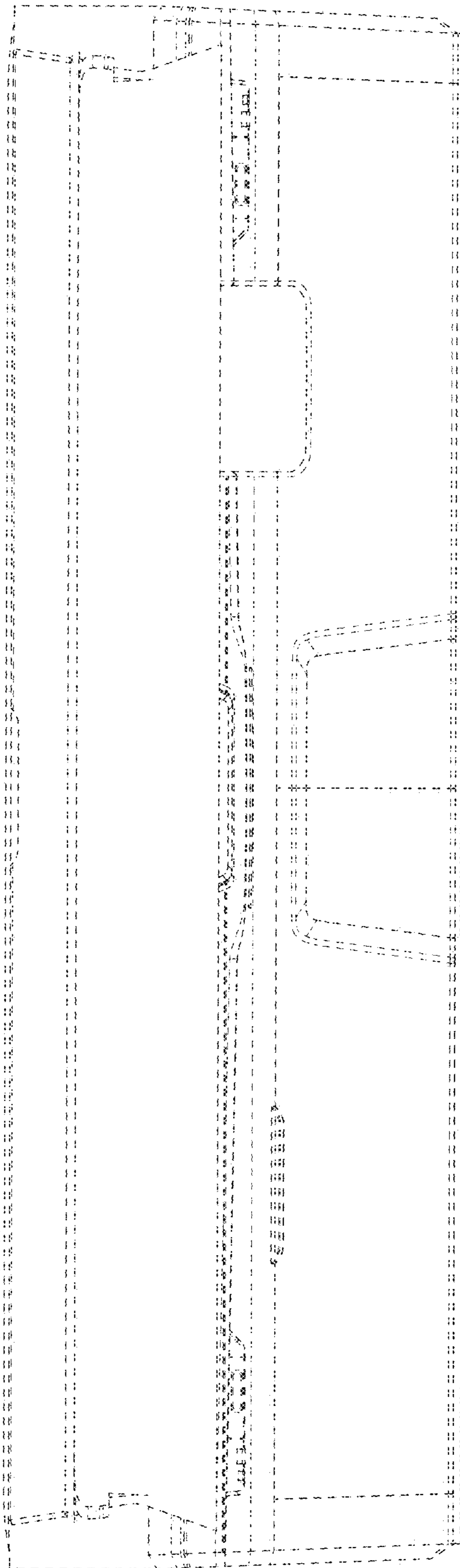


FIG. 4

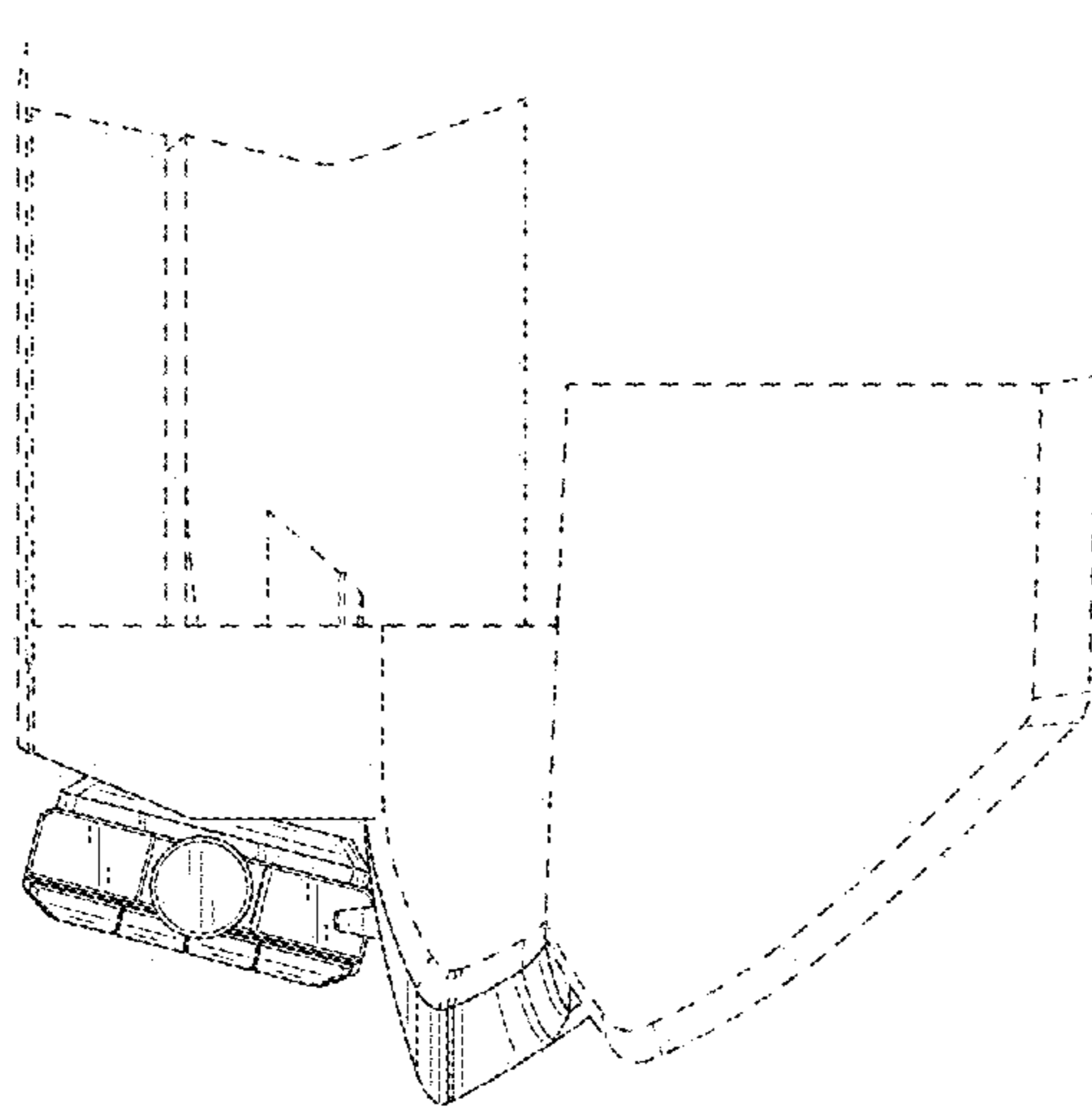


FIG. 6

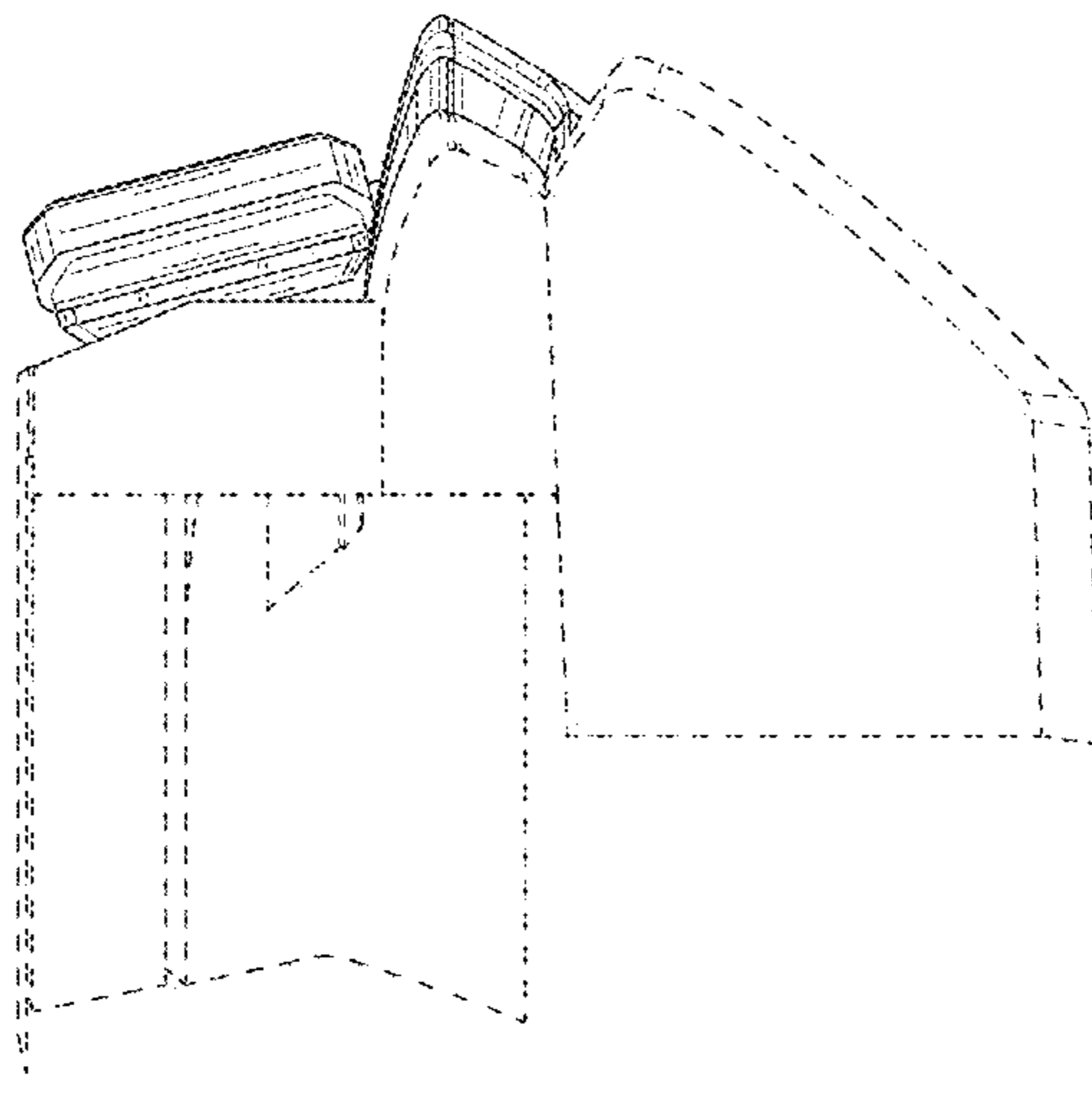


FIG. 5

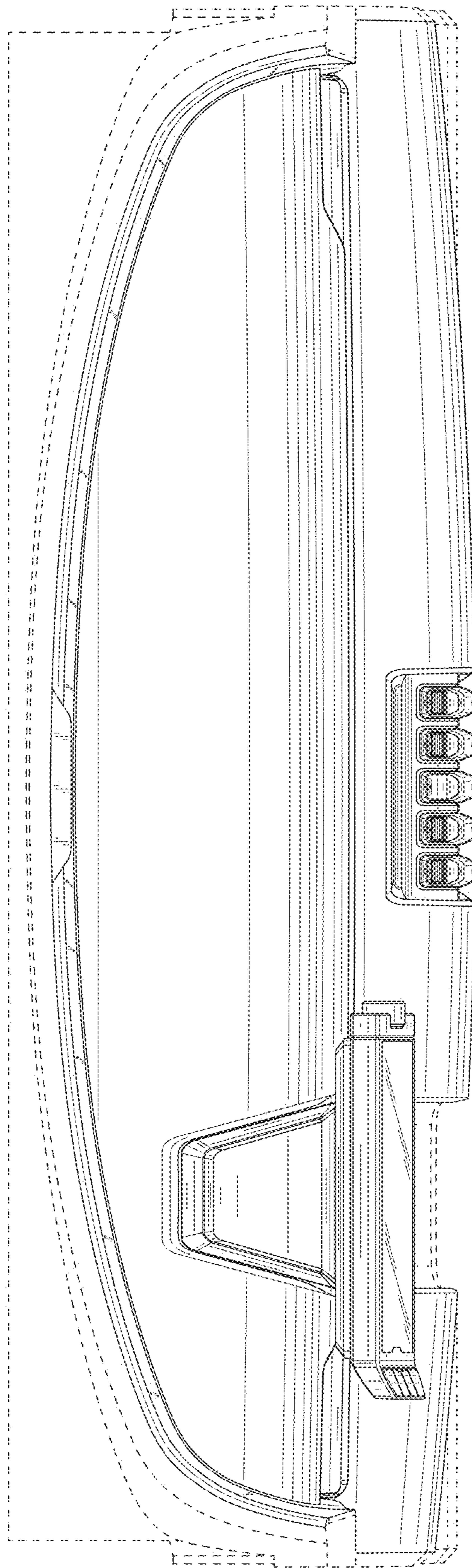


FIG. 7

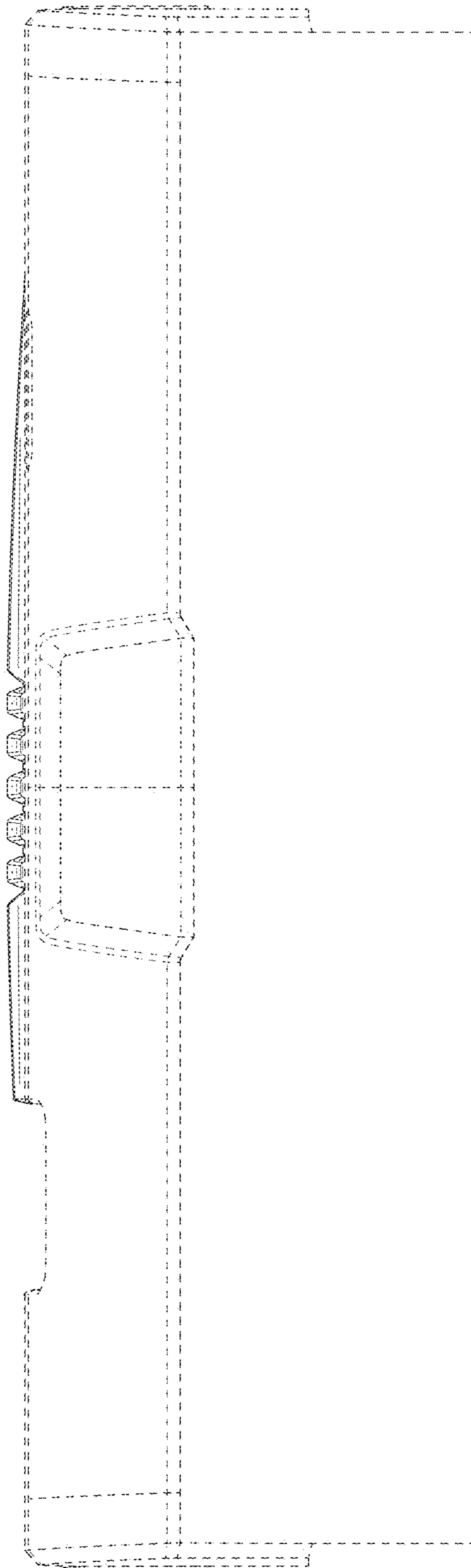


FIG. 8