



US00D986118S

(12) **United States Design Patent** (10) **Patent No.:** **US D986,118 S**
Kanemitsu (45) **Date of Patent:** **** May 16, 2023**

(54) **SHROUD FOR A MOTORCYCLE**

(71) Applicant: **Kawasaki Motors, Ltd.**, Hyogo (JP)
(72) Inventor: **Yuki Kanemitsu**, Kobe (JP)
(73) Assignee: **KAWASAKI MOTORS, LTD.**
(**) Term: **15 Years**
(21) Appl. No.: **29/785,813**

(22) Filed: **May 27, 2021**
(51) **LOC (14) Cl.** **12-11**
(52) **U.S. Cl.**
USPC **D12/126**
(58) **Field of Classification Search**
USPC D12/110, 117, 126, 186, 307; D21/432
CPC B62J 17/00; B62J 17/02; B62J 17/04
See application file for complete search history.

(56) **References Cited**

U.S. PATENT DOCUMENTS

D684,506 S *	6/2013	Kobayashi	D12/126
D711,291 S *	8/2014	Futamata	D12/126
D772,108 S *	11/2016	Petersson	D12/126
D867,224 S *	11/2019	Li	D12/126
D890,634 S *	7/2020	Katagiri	D12/114
D909,258 S *	2/2021	Takizawa	D12/114
D929,908 S *	9/2021	Kuriki	D12/114

FOREIGN PATENT DOCUMENTS

IN 328977-001 * 4/2021

OTHER PUBLICATIONS

Amazon.com, Acerbis Radiator Shroud Set, published Apr. 3, 2020 [retrieved Dec. 9, 2022]. Retrieved from the internet<<https://www.amazon.com/Acerbis-Radiator-Shroud-Desert-Kawasaki/dp/B086R6JVJW>> (Year: 2020).*
Kawasaki Motors, Shroud Engine, published Jun. 20, 2021 [retrieved Dec. 9, 2022]. Retrieved from the internet<<https://www.kawasaki.com/en-us/shop/vehicle-accessories/motorcycle/kx252cmfnn/491355150290/shroud-enginehinmoldgreen>> (Year: 2021).*

* cited by examiner

Primary Examiner — Joseph Kukella
Assistant Examiner — Lavon M. Amerson

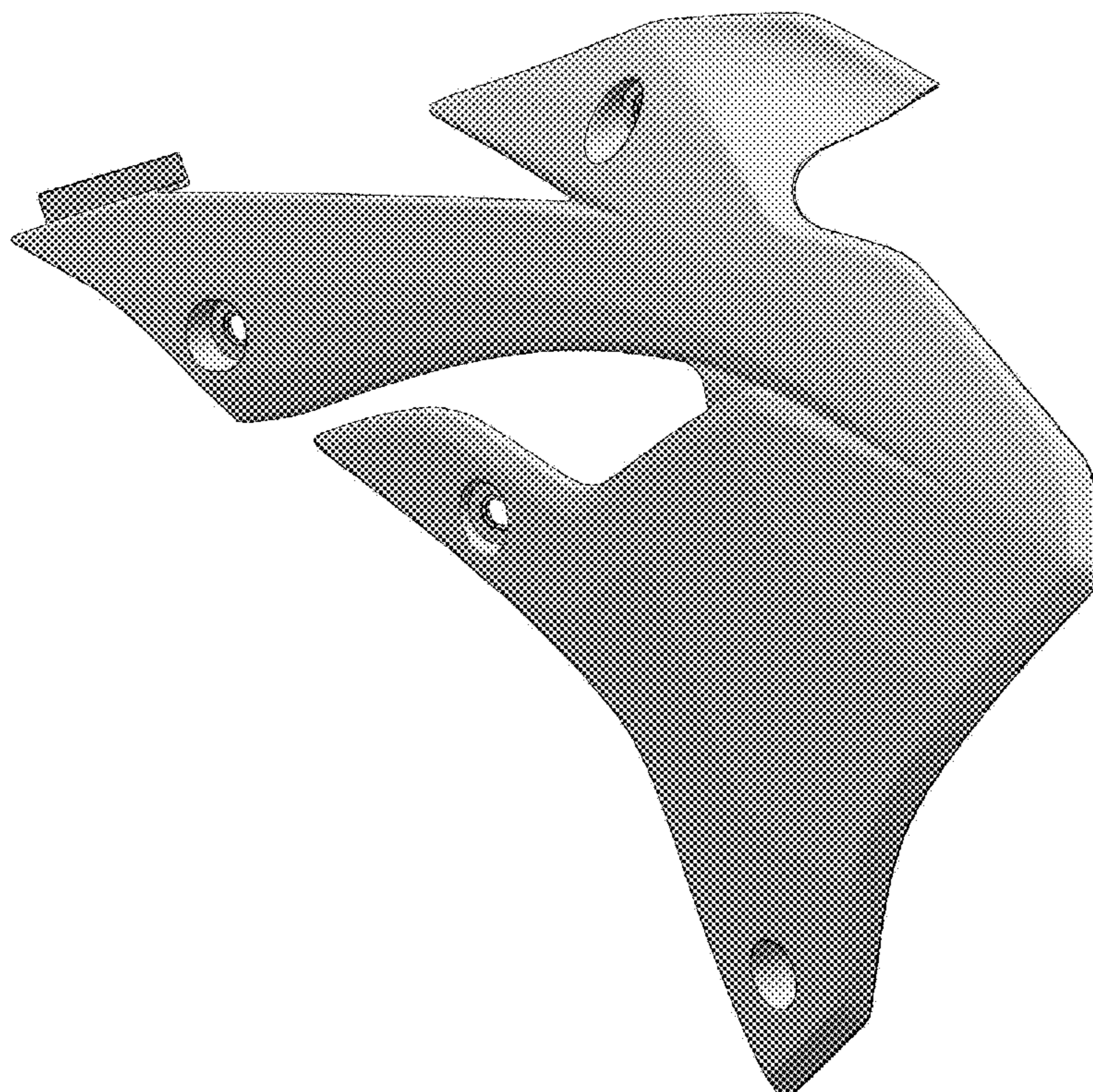
(57) **CLAIM**

The ornamental design for a shroud for a motorcycle, as shown and described.

DESCRIPTION

FIG. 1 is a front elevational view of a shroud for a motorcycle showing my new design;
FIG. 2 is a rear elevational view thereof;
FIG. 3 is a left side elevational view thereof;
FIG. 4 is a right side elevational view thereof;
FIG. 5 is a top plan view thereof;
FIG. 6 is a bottom plan view thereof;
FIG. 7 is a front and right perspective view thereof; and,
FIG. 8 is a rear and left perspective view thereof.

1 Claim, 8 Drawing Sheets



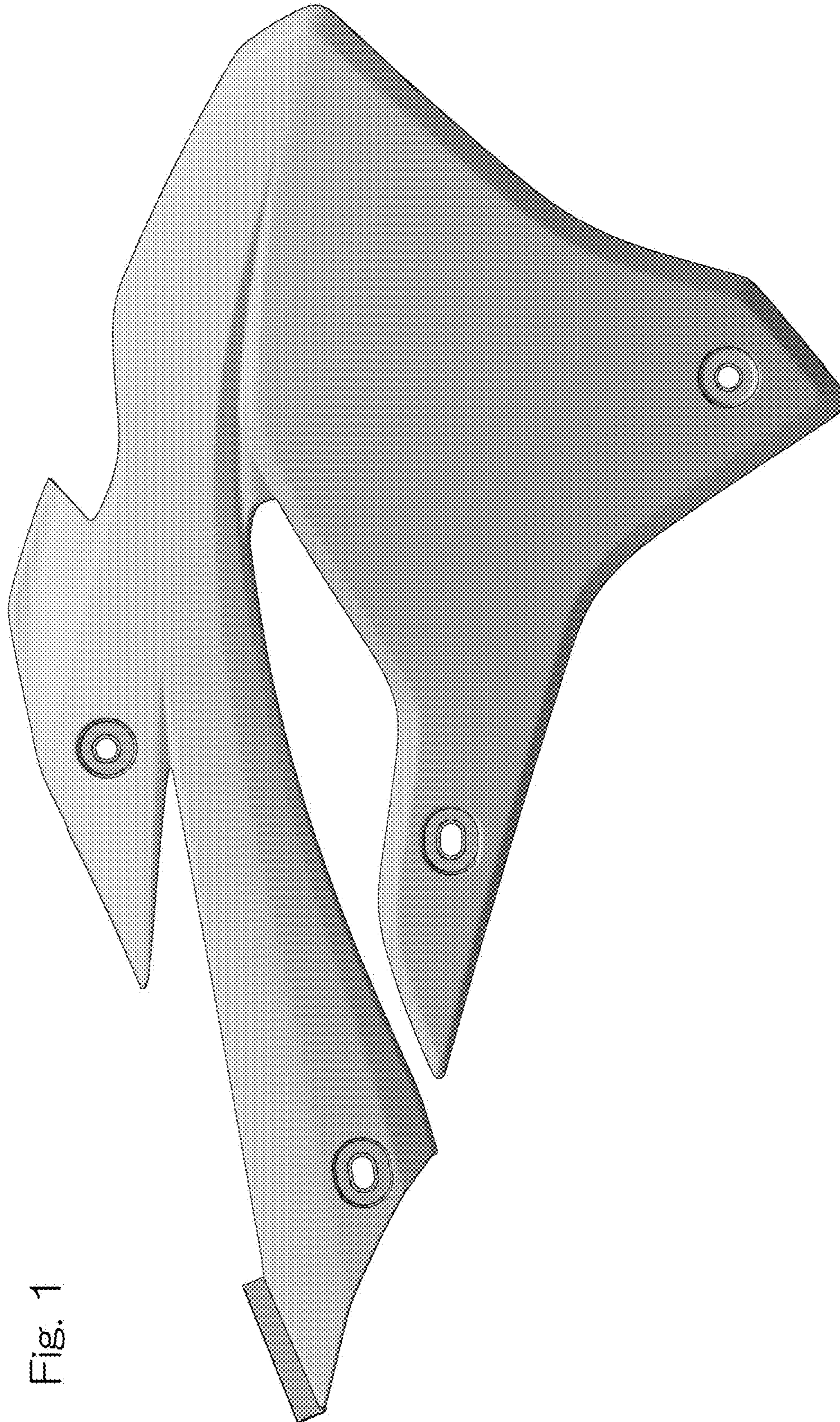


Fig. 1

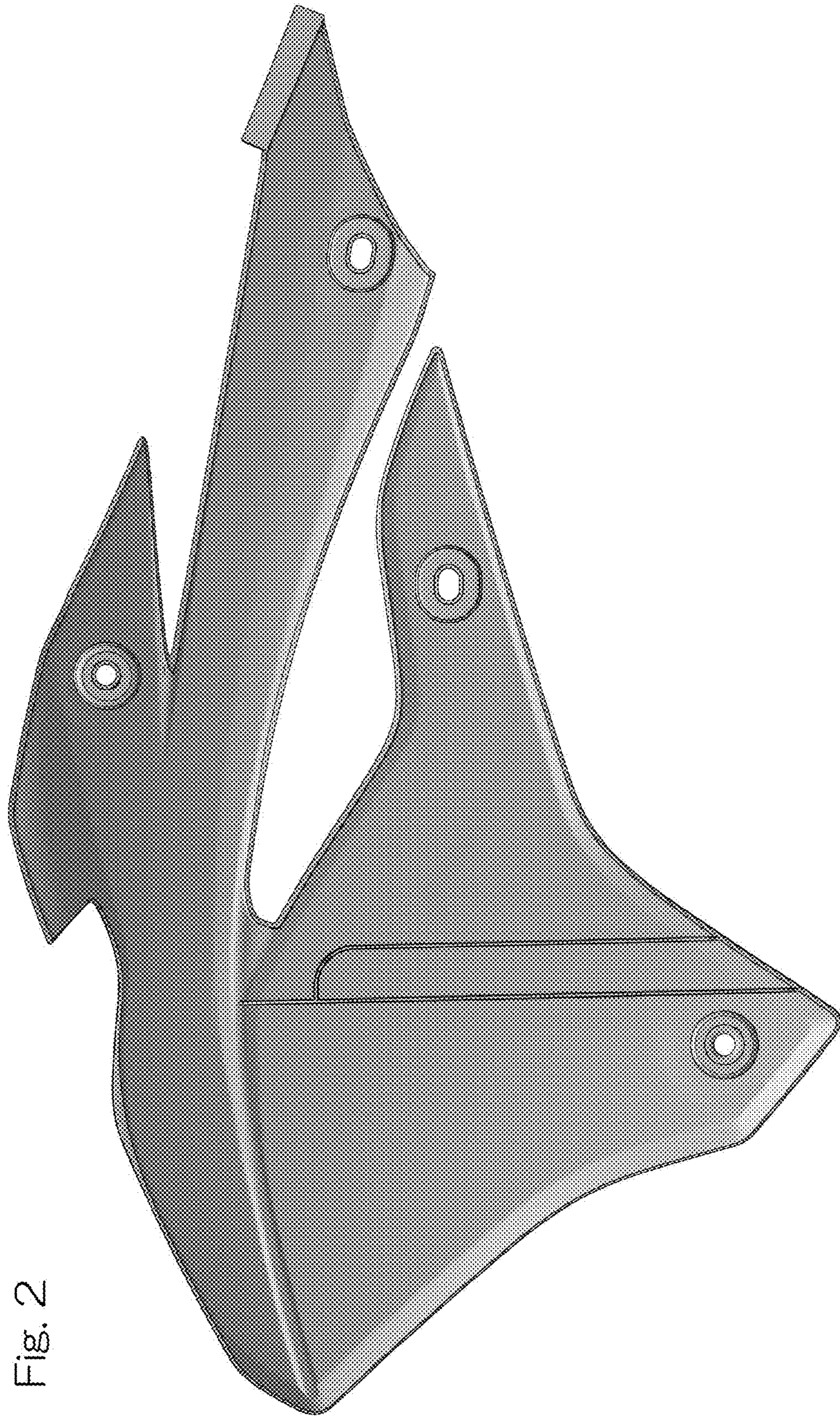


Fig. 2

Fig. 3

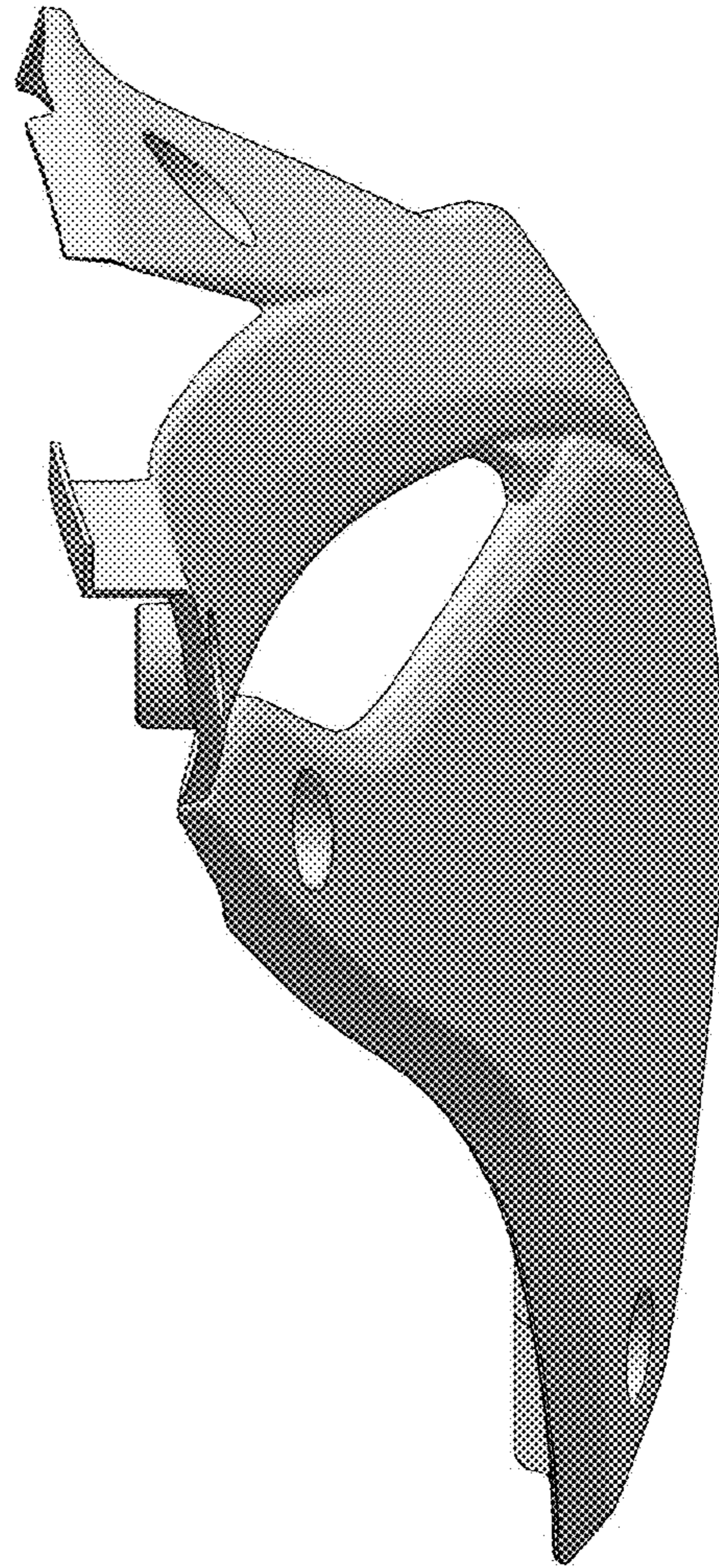


Fig. 4

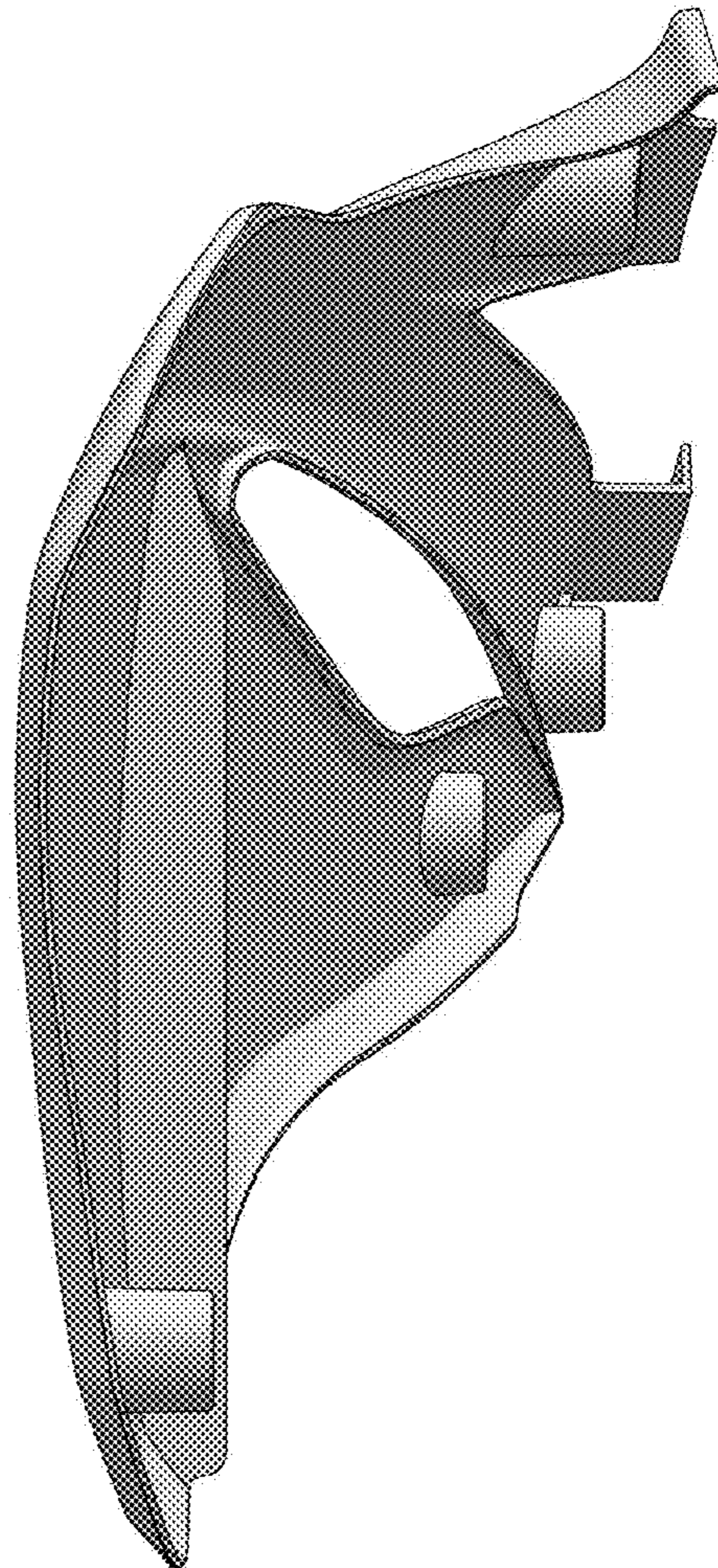
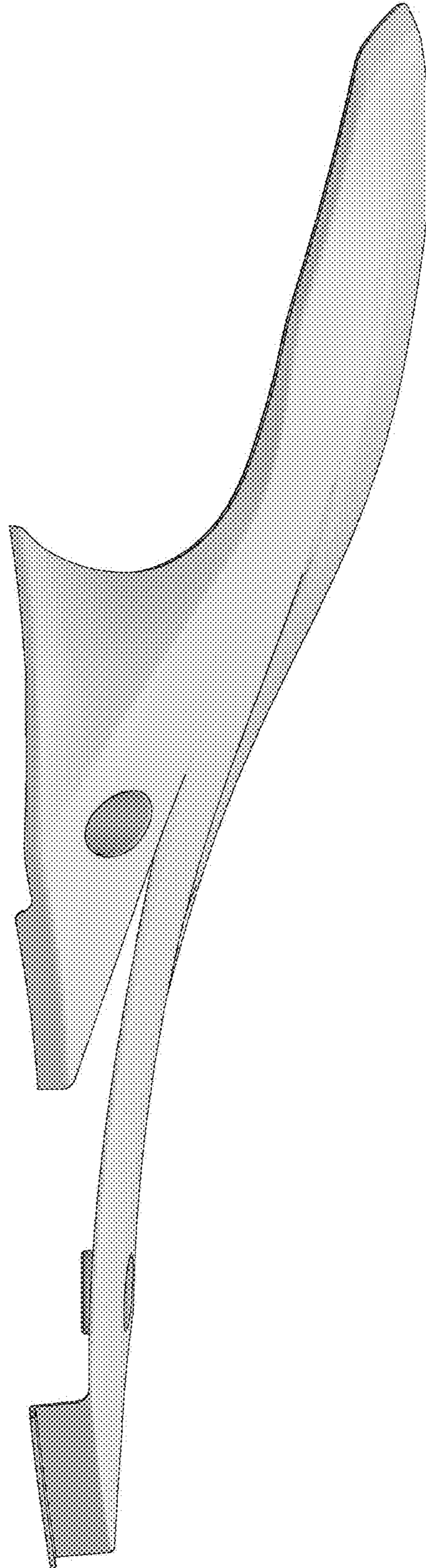


Fig. 5



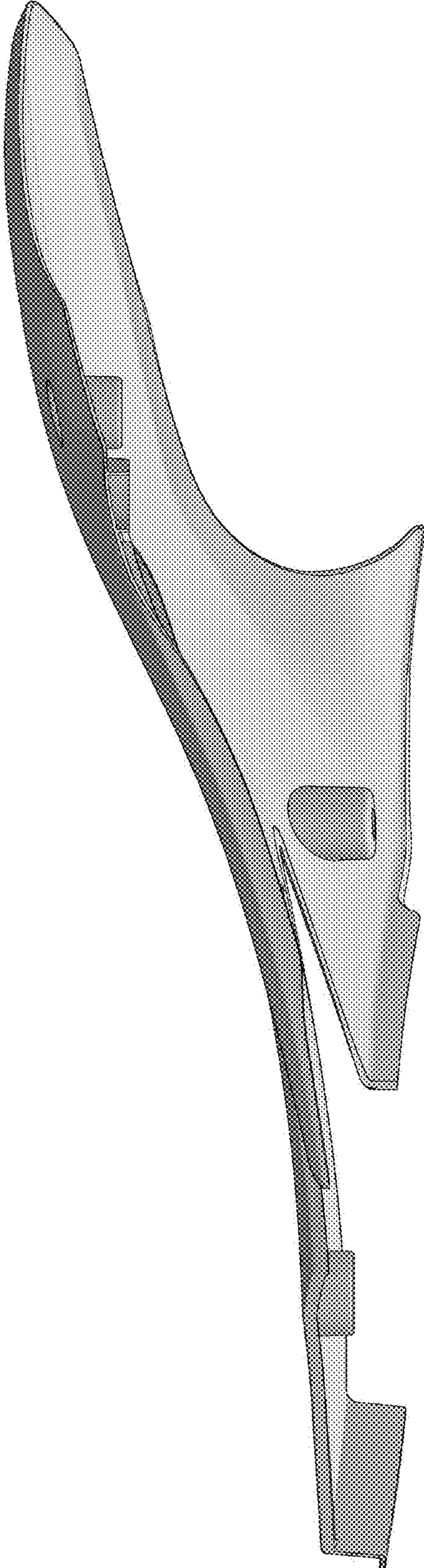


Fig. 6

Fig. 7

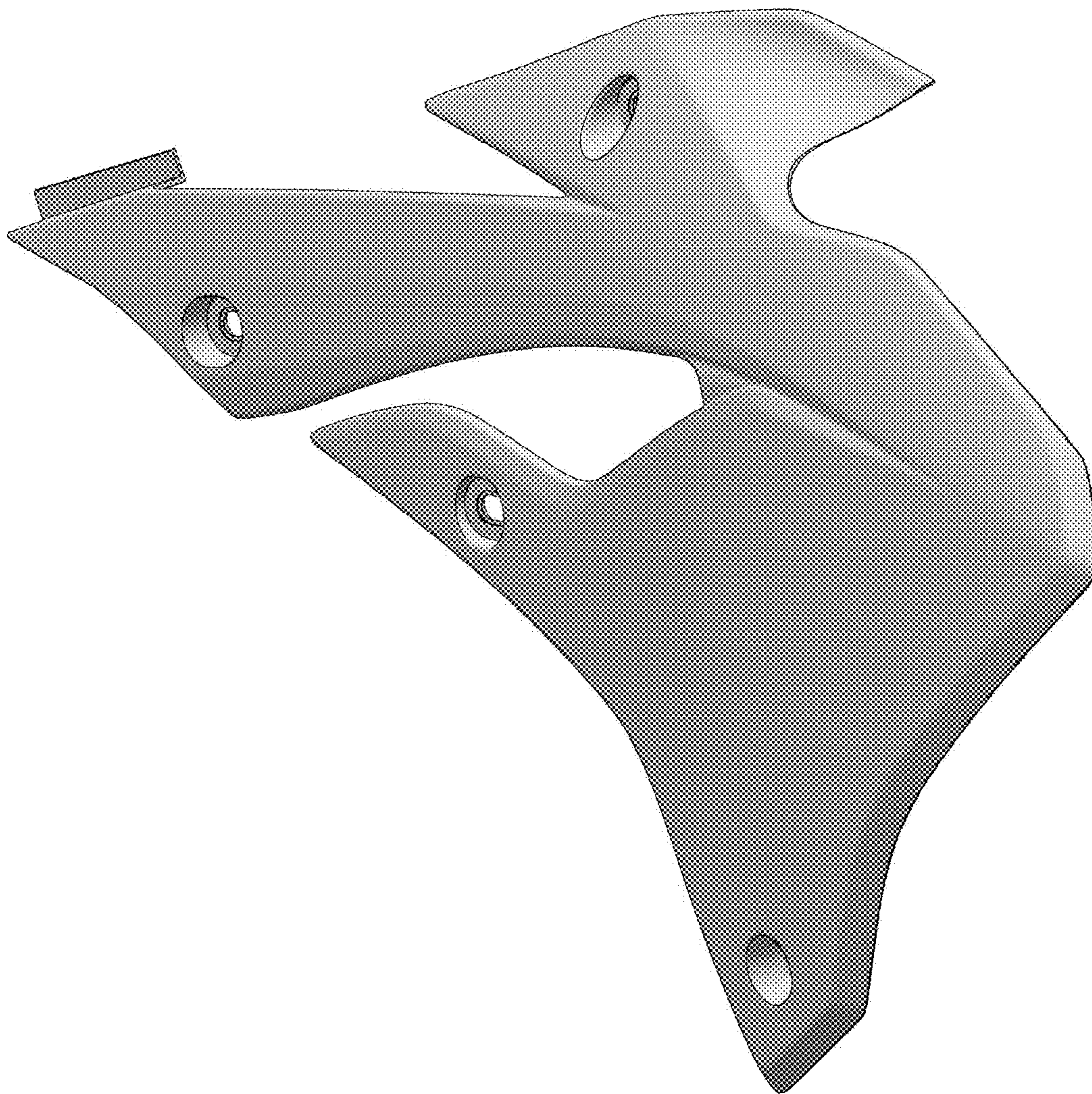


Fig. 8

