



US00D986115S

(12) **United States Design Patent** (10) **Patent No.:** **US D986,115 S**
Wen (45) **Date of Patent:** **** May 16, 2023**

(54) **ELECTRIC BICYCLE**

(71) Applicant: **Jun Wen**, Hunan (CN)

(72) Inventor: **Jun Wen**, Hunan (CN)

(73) Assignee: **Huizhou Taiqi Technology Co., Ltd.**,
Huizhou (CN)

(**) Term: **15 Years**

(21) Appl. No.: **29/807,071**

(22) Filed: **Sep. 9, 2021**

(51) **LOC (14) Cl.** **12-11**

(52) **U.S. Cl.**
USPC **D12/111**

(58) **Field of Classification Search**
USPC D12/111, 117; D21/412, 414, 419,
D21/423-428, 431-435
CPC ... B62K 3/00; B62K 3/02; B62K 3/06; B62K
11/00; B62K 11/02; B62K 11/04; B62K
11/10; B62K 17/00; B62K 19/00; B62K
2202/00

See application file for complete search history.

(56) **References Cited**

U.S. PATENT DOCUMENTS

D591,203	S	*	4/2009	Martin	D12/110
D643,783	S	*	8/2011	Thackery	D12/110
D653,590	S	*	2/2012	Patterson	D12/110
8,167,070	B2	*	5/2012	Takamura	H01M 50/204 180/68.5
D901,336	S	*	11/2020	Kuehne	D12/111
D920,848	S	*	6/2021	Kuehne	D12/110
D920,852	S	*	6/2021	Ytterborn	D12/110
D931,760	S	*	9/2021	Su	D12/111
D939,387	S	*	12/2021	Chambers	D12/111
D940,008	S	*	1/2022	Lou	D12/110
D962,829	S	*	9/2022	Hu	D12/111
D965,476	S	*	10/2022	Lou	D12/110
D971,791	S	*	12/2022	Ytterborn	D12/110

D971,792	S	*	12/2022	Okonsky	D12/111
2010/0078251	A1	*	4/2010	Nishiura	B62J 50/30 180/220
2022/0332389	A1	*	10/2022	Braedt	B62M 6/55

OTHER PUBLICATIONS

Aidan_1023. "Super73 S1: For Sale (NYC)." Reddit., Jul. 6, 2016 [online], [retrieved on Jan. 13, 2023]. Retrieved from the Internet <URL: https://www.reddit.com/r/Super73/comments/nzy8p5/super73_s1_for_sale_nyc/>.*

"Super 73-S2—Hudson Blue—In Stock!" Vintage Iron Cycles., Feb. 20, 2020 [online], [retrieved on Jan. 13, 2023]. Retrieved from the Internet <URL: <https://vintageironcycles.com/product/super-73-s2-mid-may/>>.*

"Juiced Bikes CityScrambler Review." Electric Bike Review., Jul. 15, 2020 [online], [retrieved on Jan. 13, 2023]. Retrieved from the Internet <URL: <https://electricbikereview.com/juiced-bikes/cityscrambler/>>.*

"C3STROM Astro Pro Review." Electric Bike Review., Apr. 29, 2022 [online], [retrieved on Jan. 13, 2023]. Retrieved from the Internet <URL: <https://electricbikereview.com/c3strom/2022-astro-pro/>>.*

* cited by examiner

Primary Examiner — Darlington Ly

(57) **CLAIM**

The ornamental design for an electric bicycle, as shown and described.

DESCRIPTION

FIG. 1 is a perspective view of an electric bicycle showing my new design;

FIG. 2 is a front elevational view thereof;

FIG. 3 is a rear elevational view thereof;

FIG. 4 is a left side elevational view thereof;

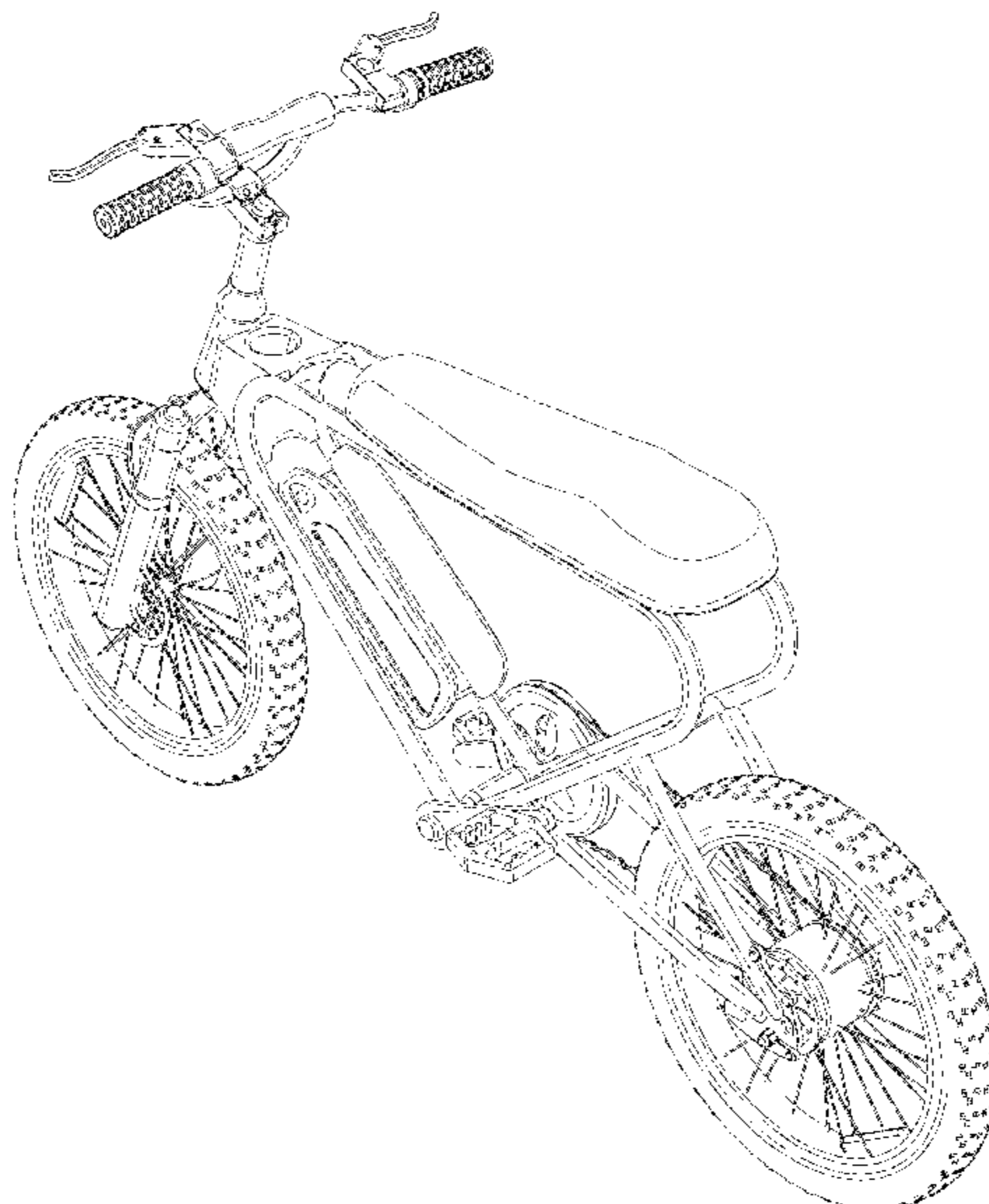
FIG. 5 is a right side elevational view thereof;

FIG. 6 is a top plan view thereof;

FIG. 7 is a bottom plan view thereof; and,

FIG. 8 is another perspective view thereof.

1 Claim, 8 Drawing Sheets



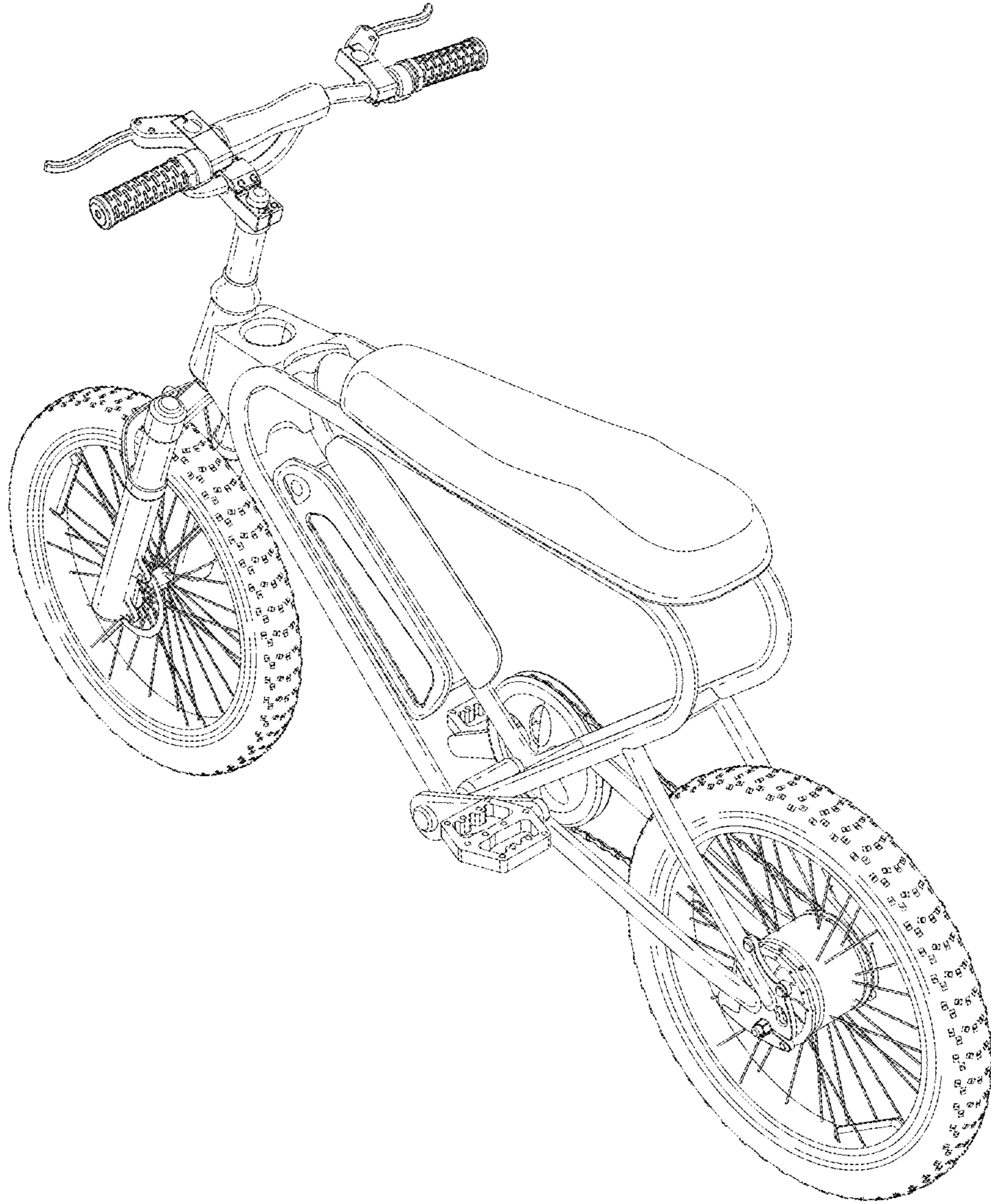


FIG.1

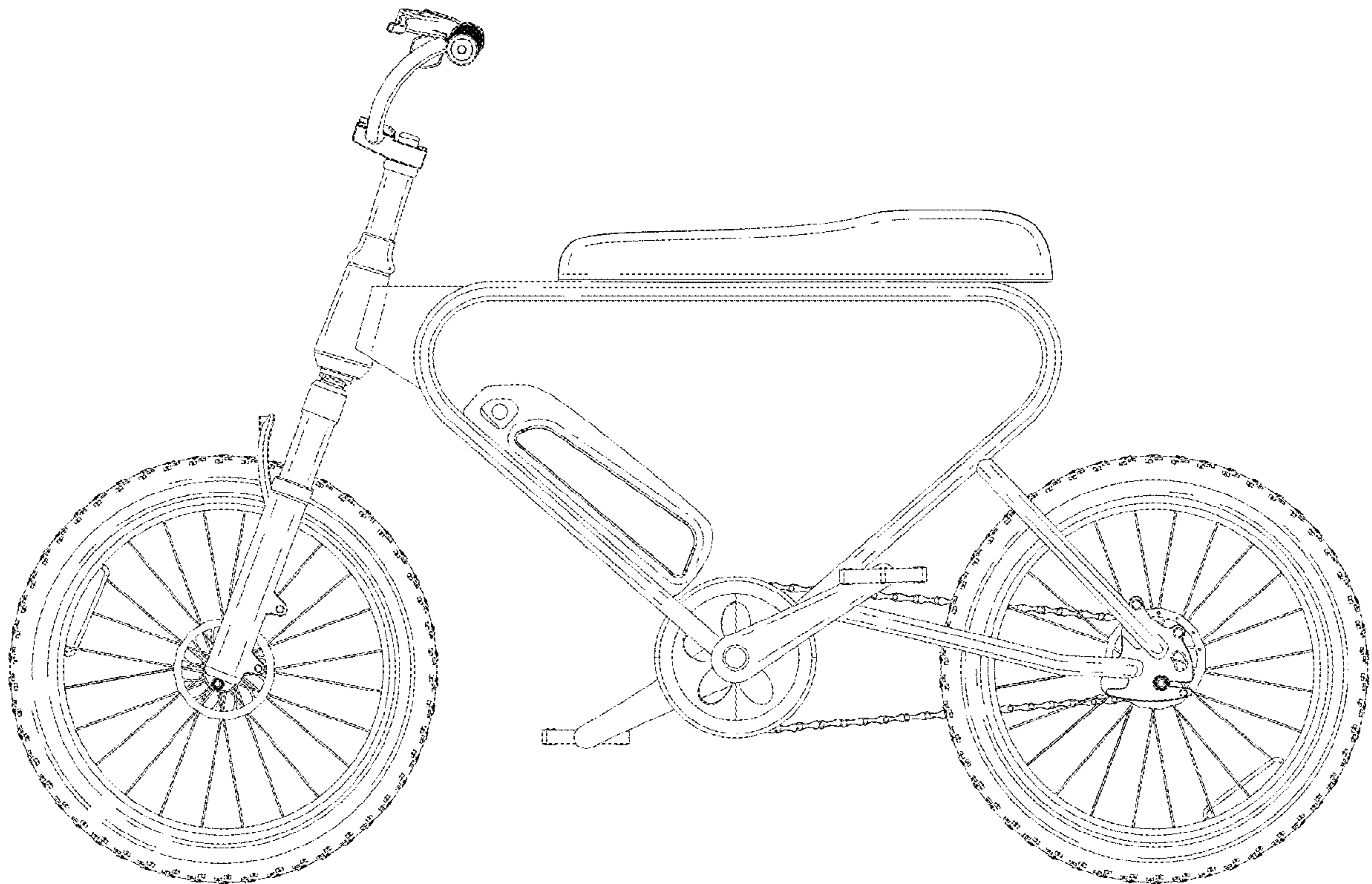


FIG. 2

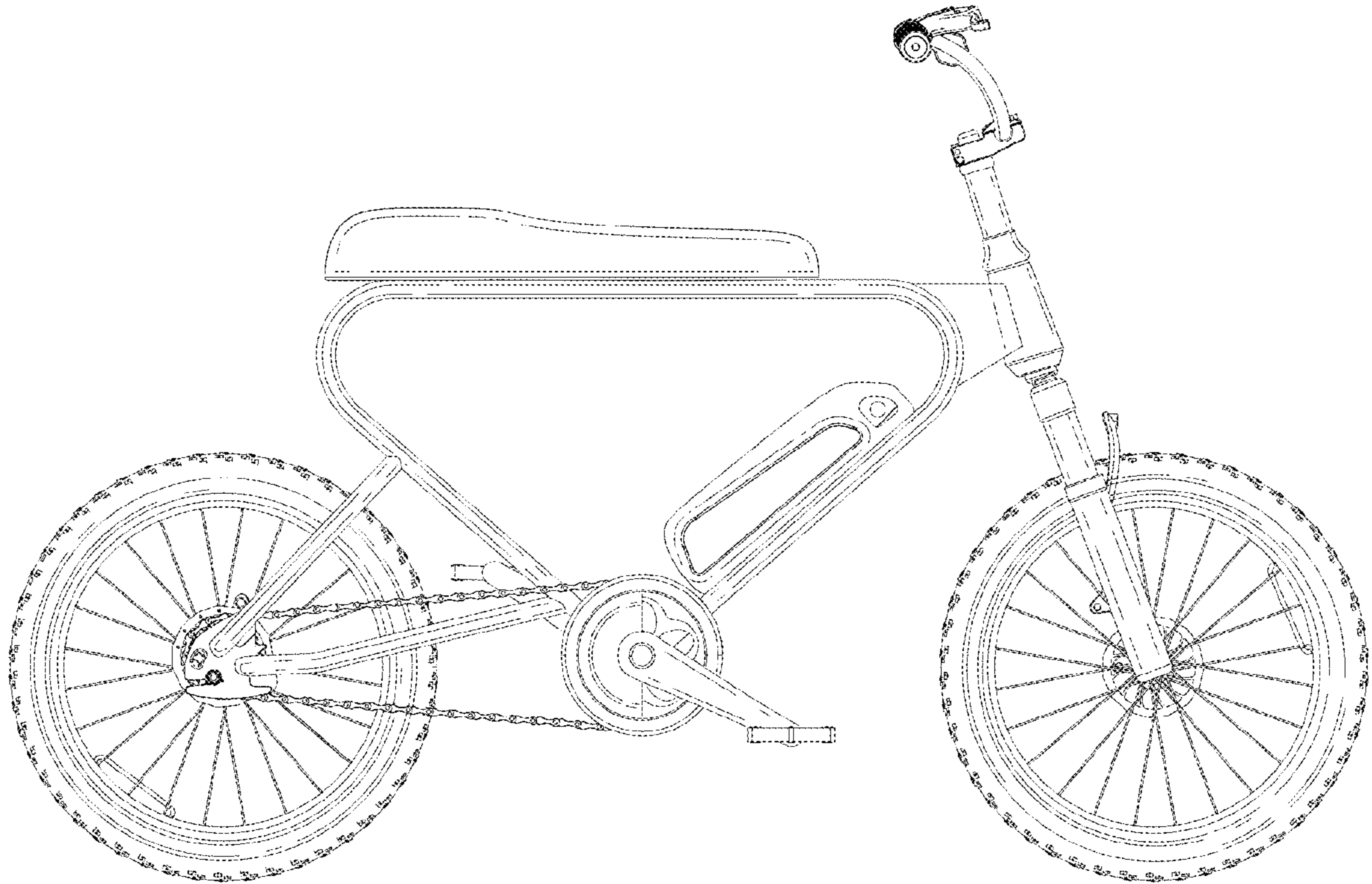


FIG.3

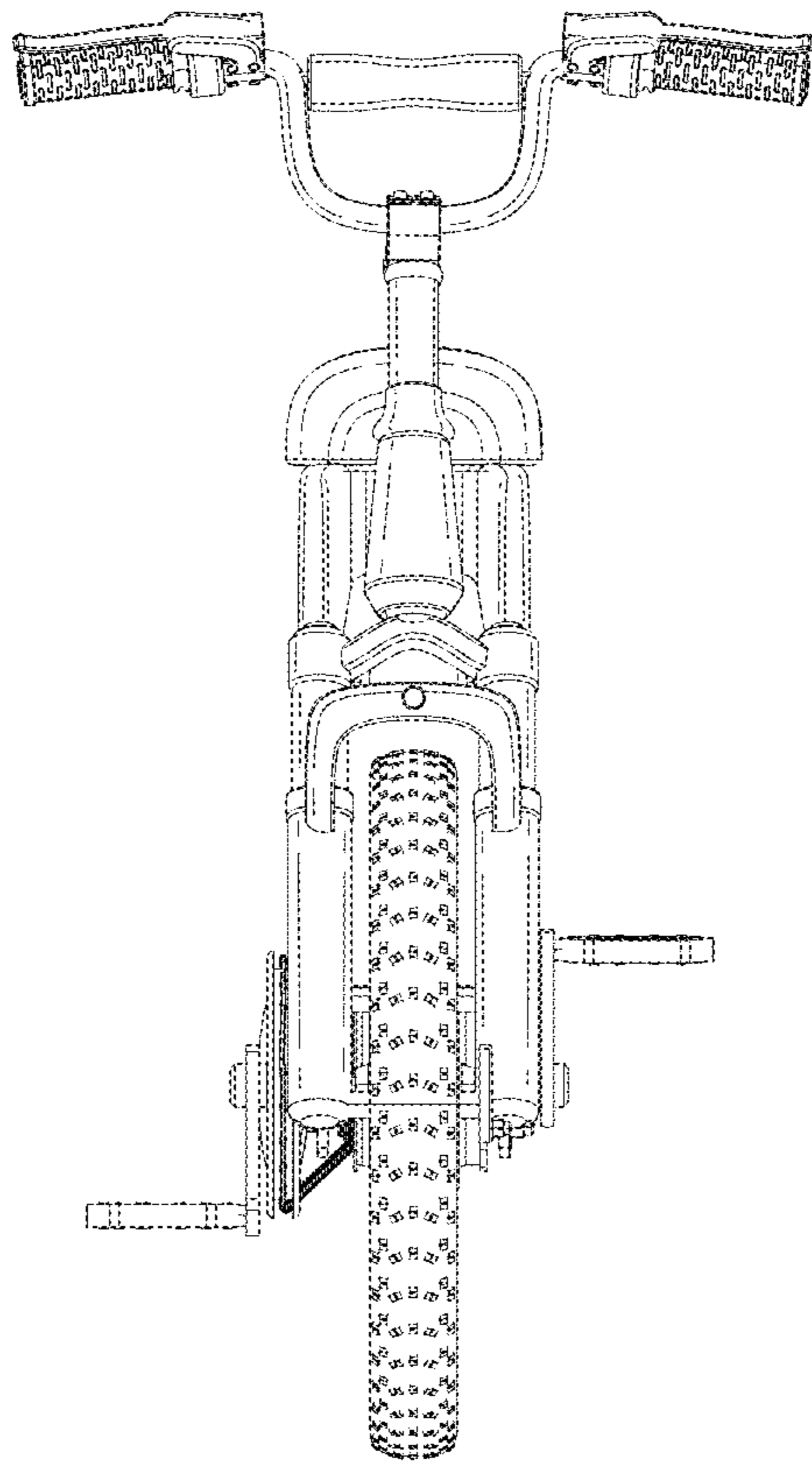


FIG.4

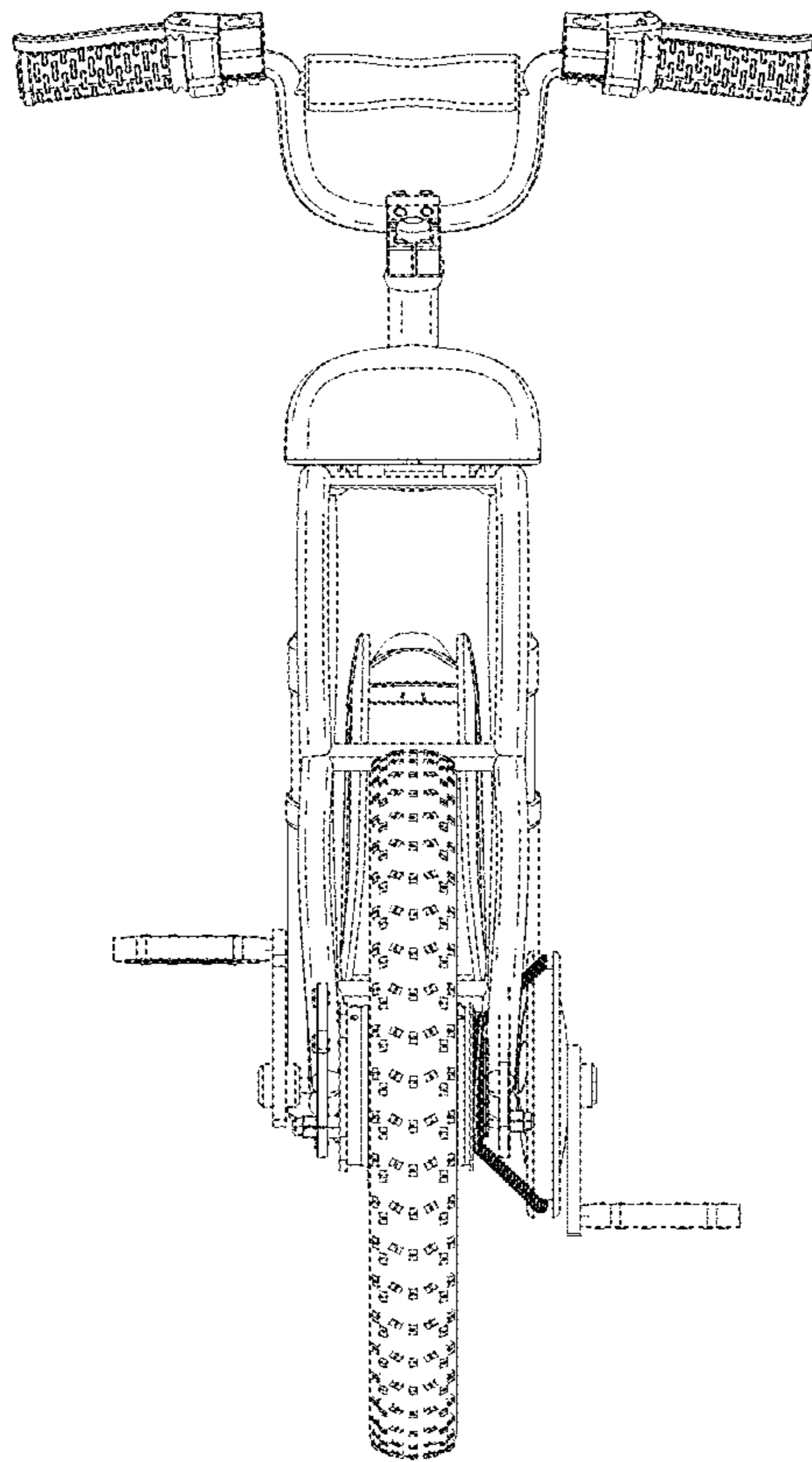


FIG.5

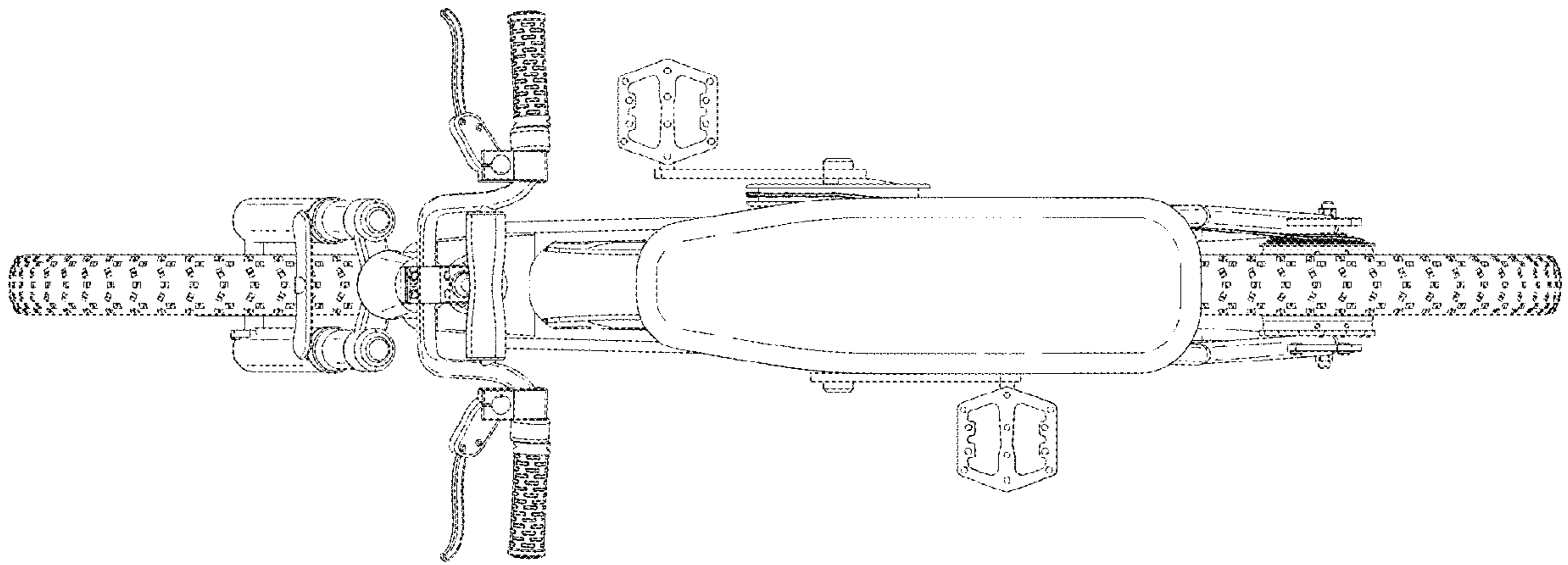


FIG.6

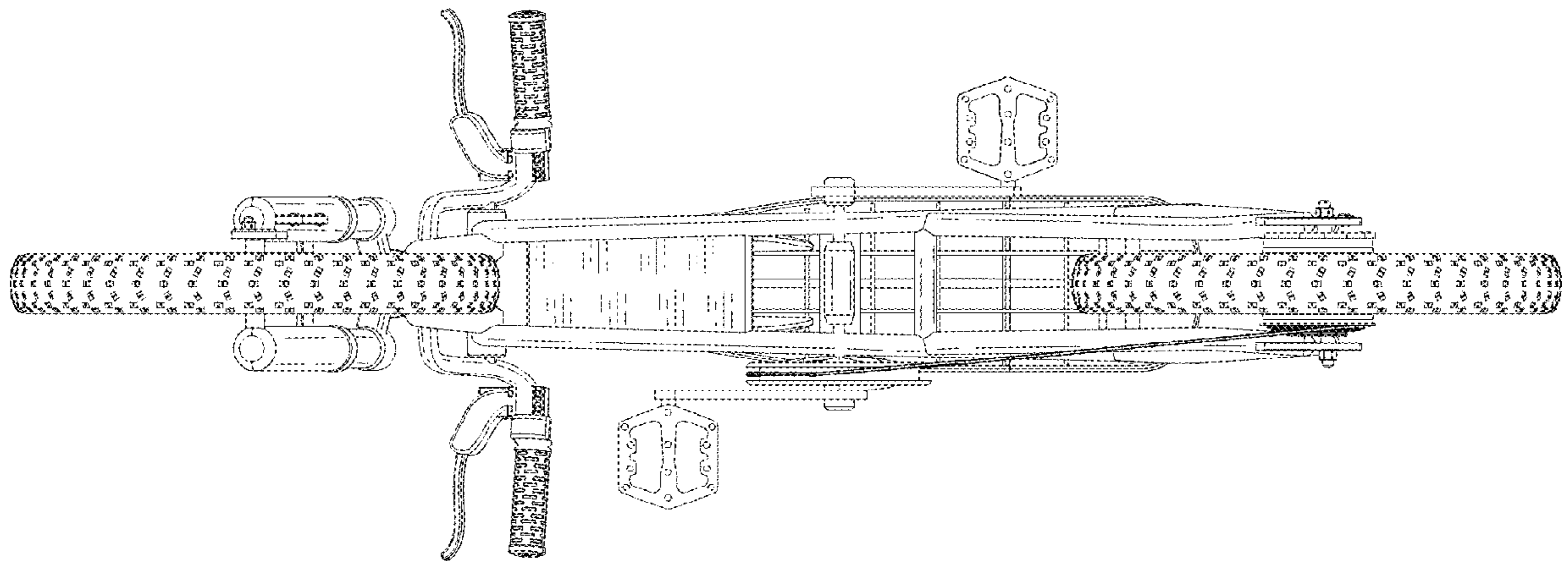


FIG.7

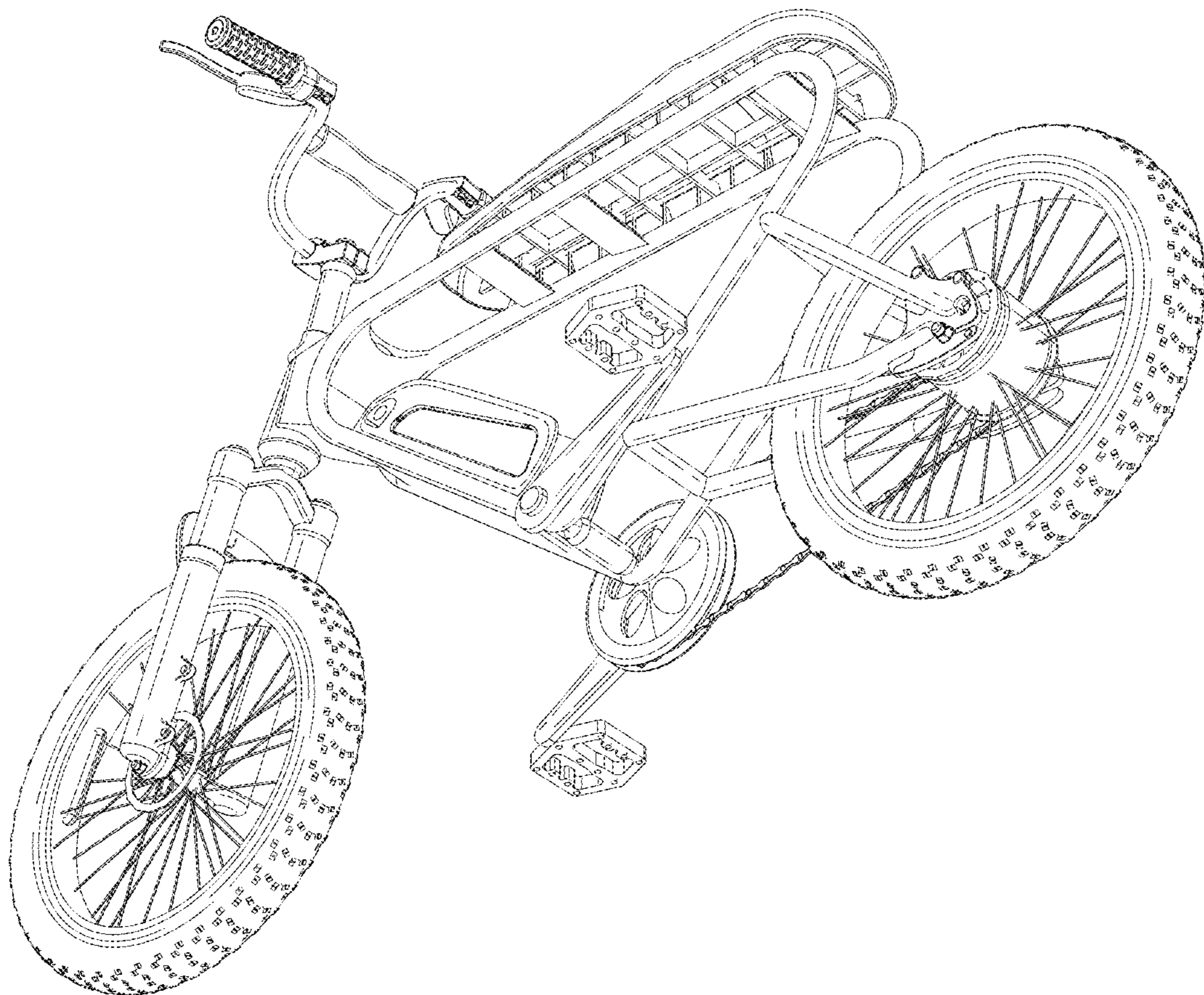


FIG. 8