



US00D986112S

(12) **United States Design Patent** (10) **Patent No.:** **US D986,112 S**  
**Yang** (45) **Date of Patent:** **\*\* May 16, 2023**

(54) **FRAME FOR BICYCLE OR ELECTRIC BICYCLE**

(71) Applicant: **Shenzhen Sailvan Network Technology Co., Ltd.**, Guangdong (CN)

(72) Inventor: **Guoqing Yang**, Guangdong (CN)

(73) Assignee: **Shenzhen Sailvan Network Technology Co., Ltd.**, Shenzhen (CN)

(\*\*) Term: **15 Years**

(21) Appl. No.: **29/803,902**

(22) Filed: **Aug. 17, 2021**

(51) **LOC (14) Cl.** ..... **12-11**

(52) **U.S. Cl.**  
USPC ..... **D12/111**

(58) **Field of Classification Search**  
USPC ..... D12/111, 117; D21/412, 414, 419, D21/423-428, 431-435  
CPC ... B62K 3/00; B62K 3/02; B62K 3/06; B62K 11/00; B62K 11/02; B62K 11/04; B62K 11/10; B62K 17/00; B62K 19/00; B62K 2202/00

See application file for complete search history.

(56) **References Cited**

**U.S. PATENT DOCUMENTS**

D343,600	S	*	1/1994	Moore	.....	D12/111
D637,527	S	*	5/2011	Choi	.....	D12/111
D667,347	S	*	9/2012	Simko	.....	D12/111
D682,744	S	*	5/2013	Horne	.....	D12/111
D686,950	S	*	7/2013	Lin	.....	D12/111
D724,498	S	*	3/2015	Eagleman	.....	D12/111
D726,075	S	*	4/2015	D'Aluisio	.....	D12/111
D734,692	S	*	7/2015	D'Aluisio	.....	D12/111
D785,509	S	*	5/2017	Juhlin	.....	D12/111
D865,574	S	*	11/2019	Russell	.....	D12/111
D908,046	S	*	1/2021	Callahan	.....	D12/111

D939,388	S	*	12/2021	Stafford	.....	D12/111
D939,389	S	*	12/2021	Stafford	.....	D12/111
D940,011	S	*	1/2022	Wang	.....	D12/111
D947,724	S	*	4/2022	Wang	.....	D12/111
2003/0234510	A1	*	12/2003	Ho	.....	B62K 19/00 280/281.1
2004/0094933	A1	*	5/2004	Probst	.....	B62K 25/286 280/284

(Continued)

**OTHER PUBLICATIONS**

“Specialized 2022 Fuse M4 Frameset (Light Silver/Brushed Dream Silver/Black).” Performance Bicycle., Dec. 30, 2021 [online], [retrieved on Jan. 12, 2023]. Retrieved from the Internet <URL: <https://www.performancebike.com/specialized-2022-fuse-m4-frameset-light-silver-brushed-dream-silver-black-s-76022-7002/p1354949>>.\*

(Continued)

*Primary Examiner* — Darlington Ly

(57) **CLAIM**

The ornamental design for a frame for bicycle or electric bicycle, as shown and described.

**DESCRIPTION**

FIG. 1 is a top, front and right side perspective view of a frame for bicycle or electric bicycle showing my new design;

FIG. 2 is a bottom, rear and left side perspective view thereof;

FIG. 3 is a front elevational view thereof;

FIG. 4 is a rear elevational view thereof;

FIG. 5 is a left side elevation view thereof;

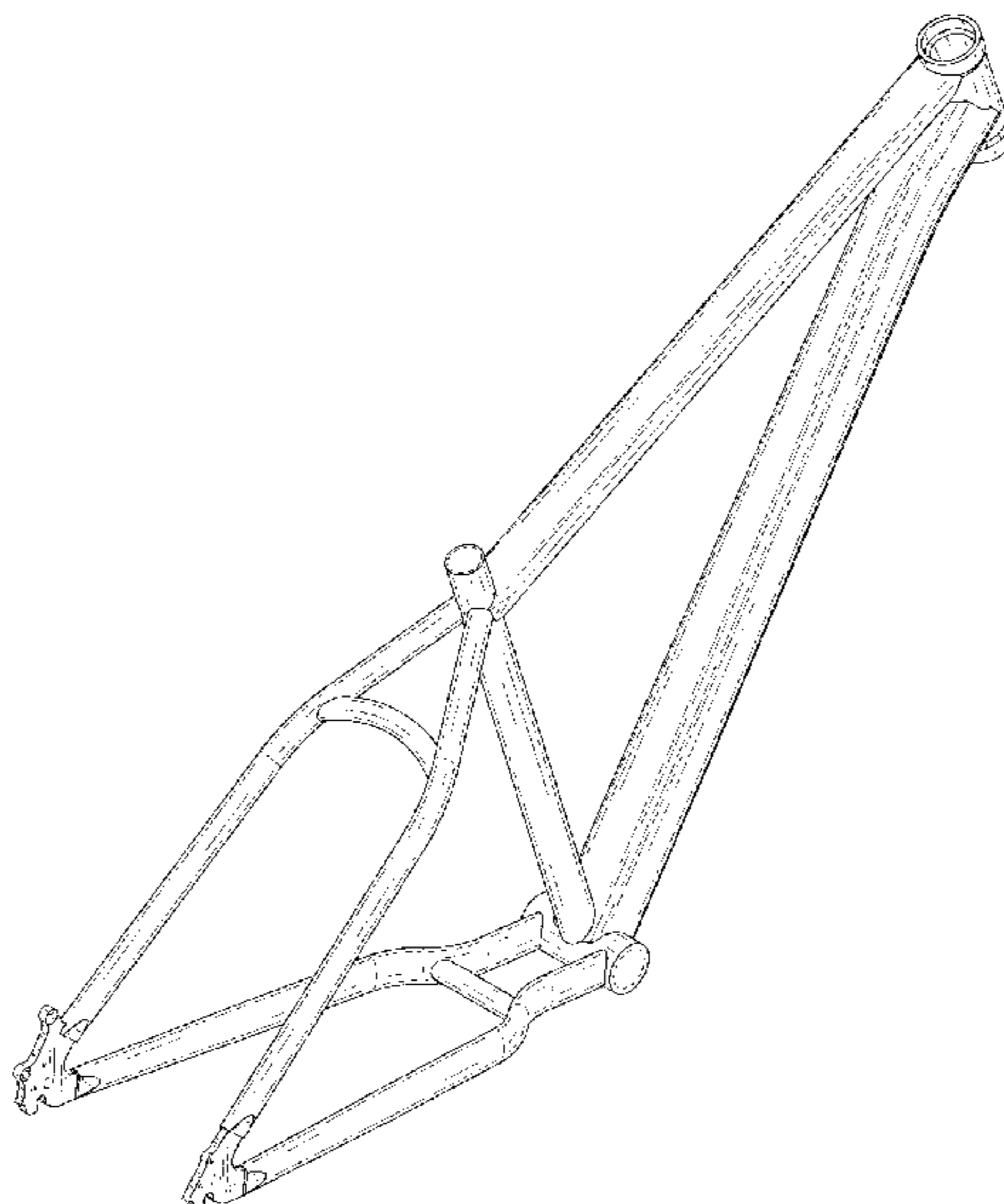
FIG. 6 is a right side elevation view thereof.

FIG. 7 is a top plan view thereof; and,

FIG. 8 is a bottom plan view thereof.

The broken lines in the drawings illustrate portions of the frame for bicycle or electric bicycle which form no part of the claimed design.

**1 Claim, 8 Drawing Sheets**



(56)

**References Cited**

U.S. PATENT DOCUMENTS

2004/0108682	A1 *	6/2004	Malwitz .....	B62K 25/28 280/284
2007/0108724	A1 *	5/2007	Julliard .....	B62K 19/18 280/281.1
2007/0246909	A1 *	10/2007	Weng .....	B62K 25/286 280/284
2008/0238030	A1 *	10/2008	Tseng .....	G06F 30/3312 280/284
2008/0238031	A1 *	10/2008	Tseng .....	B62K 3/02 280/284
2012/0169028	A1 *	7/2012	Lund .....	B62K 25/04 280/281.1
2014/0054873	A1 *	2/2014	Cocalis .....	B62K 25/02 280/281.1

OTHER PUBLICATIONS

“Specialized P3 Frameset (Satin Olive Green/Black).” Performance Bicycle., Jan. 12, 2022 [online], [retrieved on Jan. 12, 2023]. Retrieved from the Internet <URL: <https://www.performancebike.com/specialized-p3-frameset-satin-olive-green-black-22.5-effective-tt-71922-7022/p1339525>>.\*

“Race Inc. Retro 26" BMX Frame (Red) (22").” Performance Bicycle., Jun. 28, 2022 [online], [retrieved on Jan. 12, 2023]. Retrieved from the Internet <URL: <https://www.performancebike.com/race-inc.-retro-26-bmx-frame-red-22-ri-fm21a126r-rd/p1374066>>.\*

“PRO 29 Hardtail Mountain Bike Frame.” Lynskey Titanium Bicycles., Mar. 3, 2018 [online], [retrieved on Jan. 12, 2023]. Retrieved from the Internet <URL: <https://lynkeyperformance.com/pro-29-hardtail-mountain-bike-frame/>>.\*

\* cited by examiner

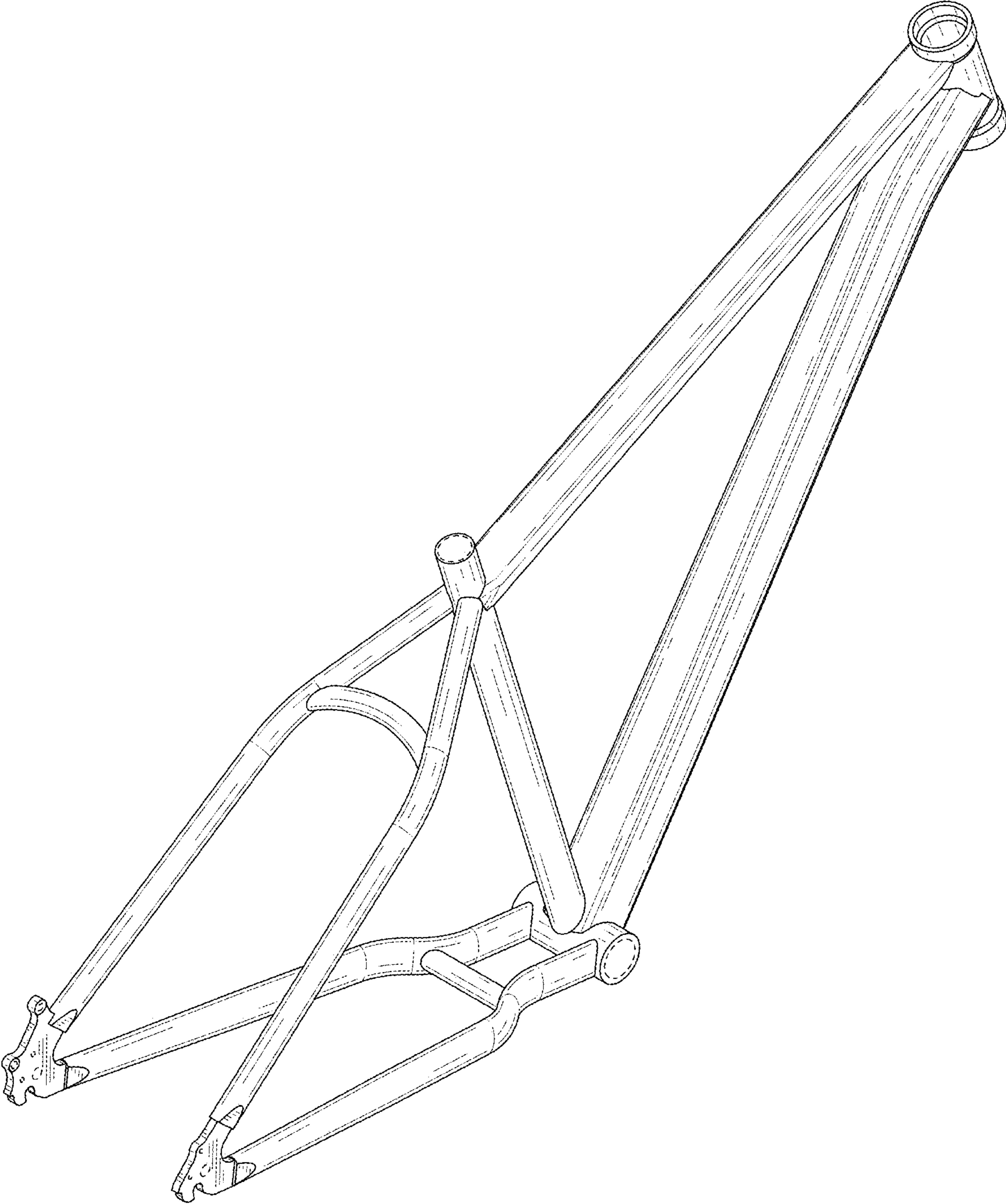


FIG. 1

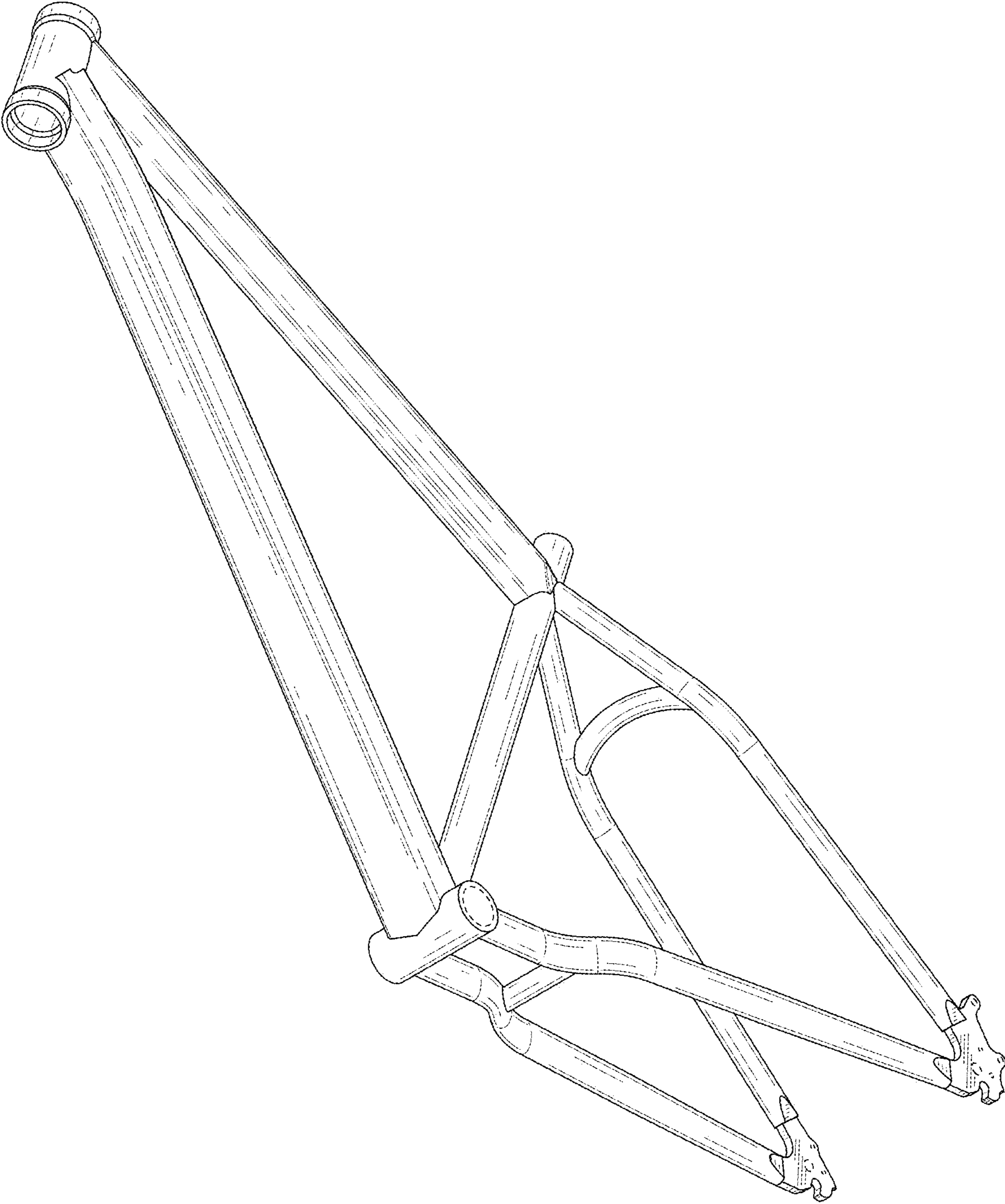


FIG. 2

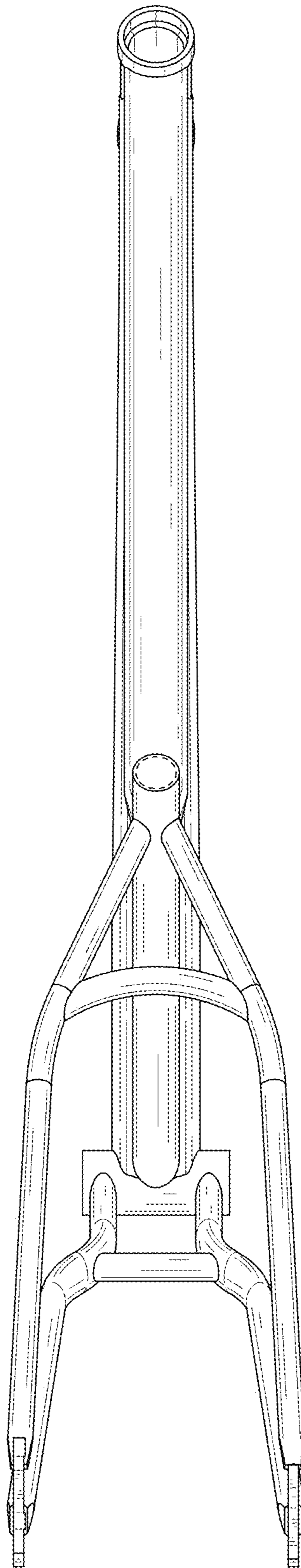


FIG. 3

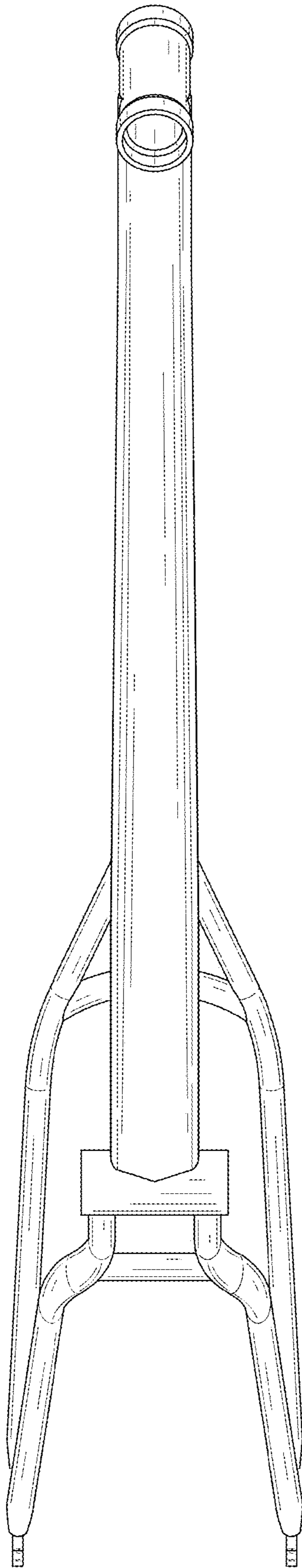


FIG. 4

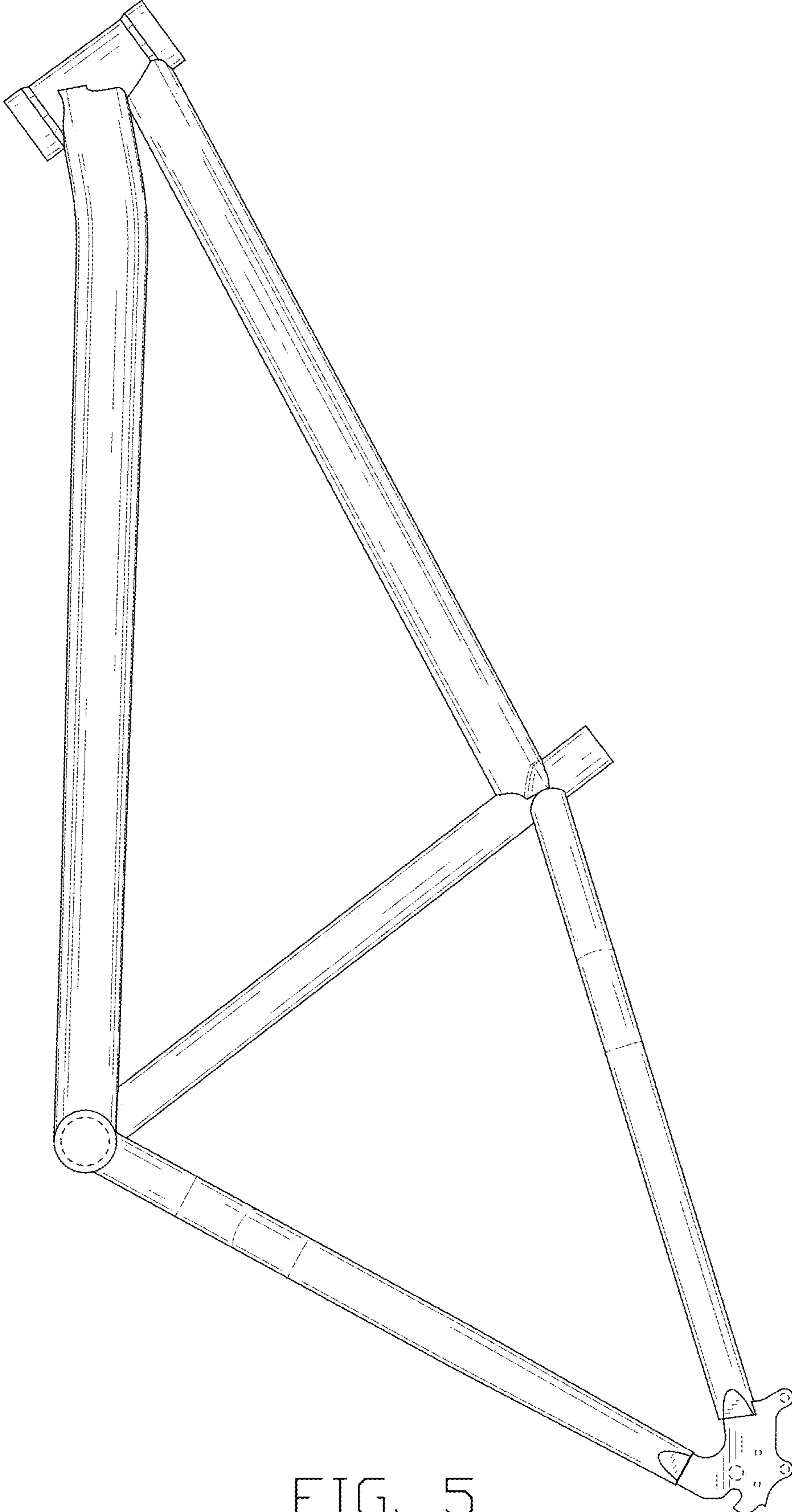


FIG. 5

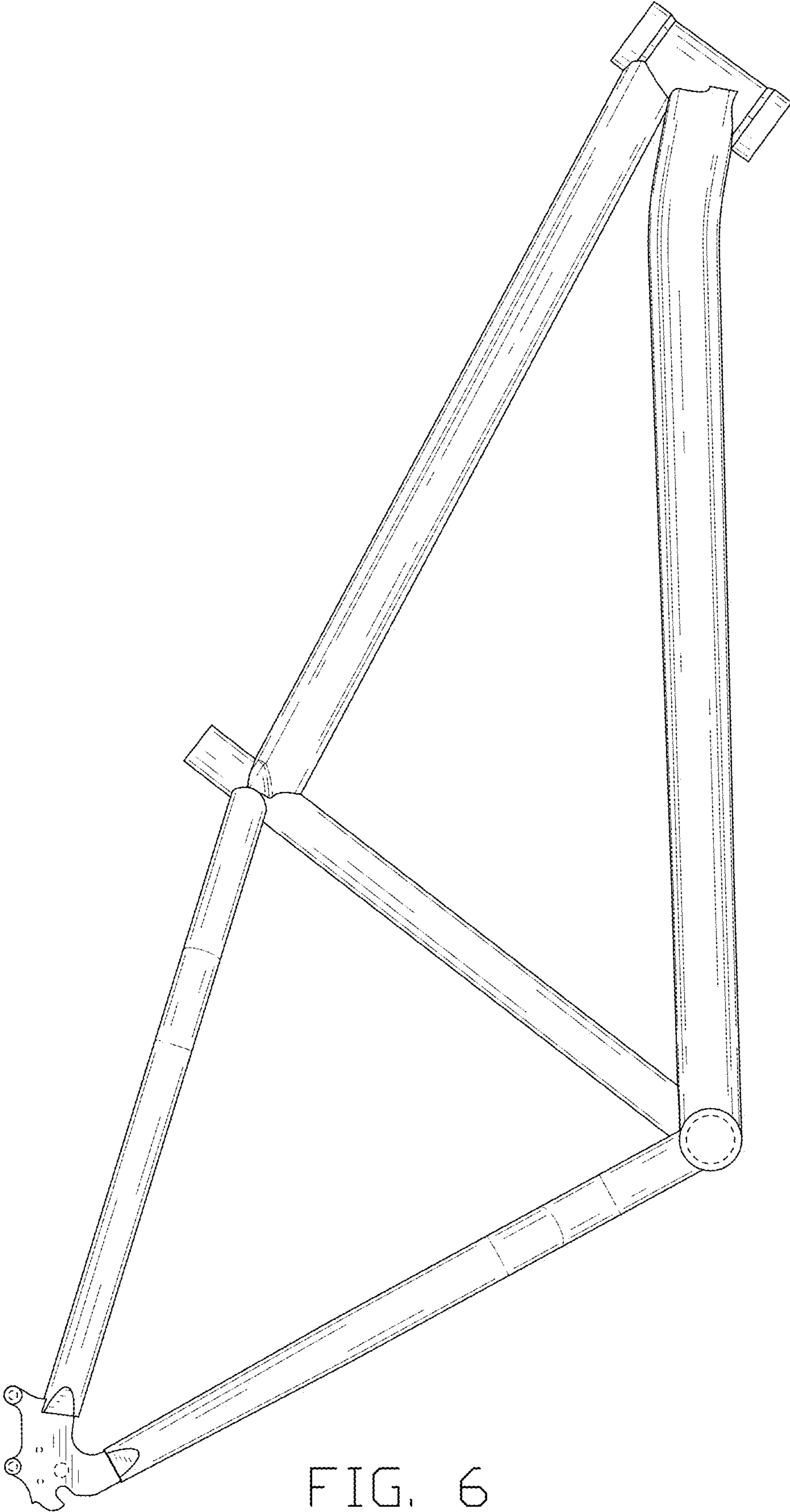


FIG. 6



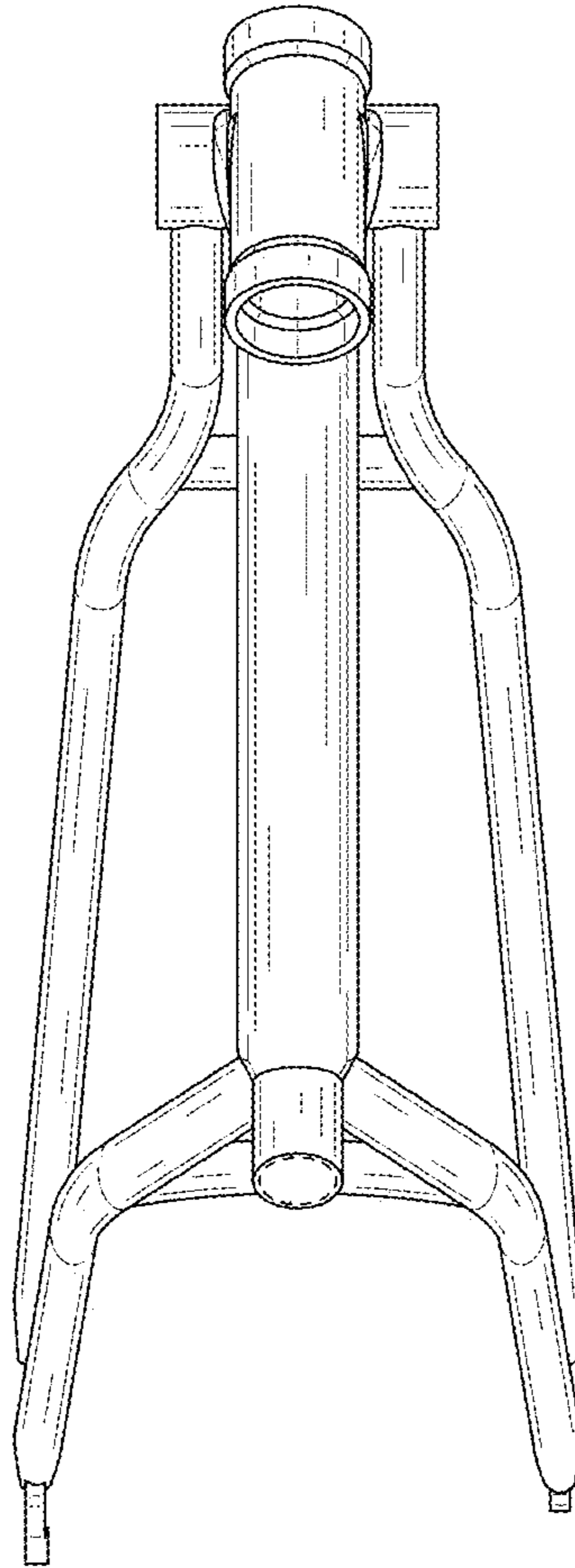


FIG. 7

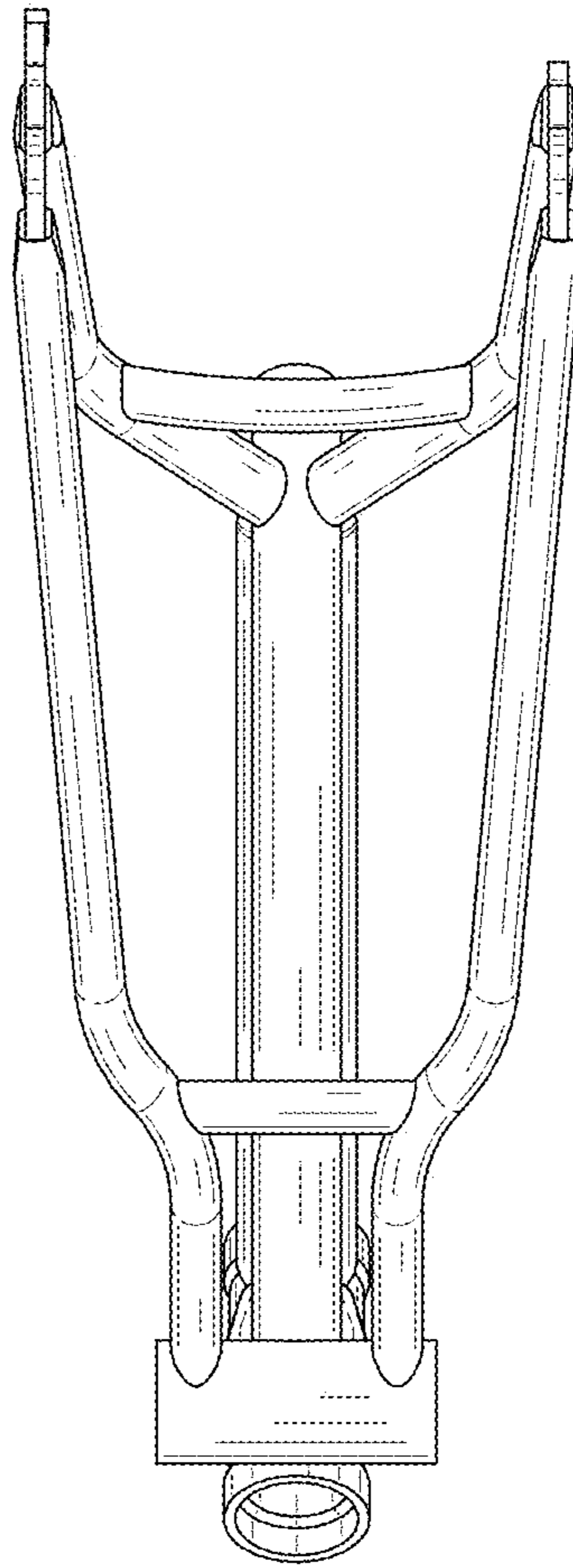


FIG. 8