



US00D986110S

(12) **United States Design Patent** (10) **Patent No.:** **US D986,110 S**  
**Peer** (45) **Date of Patent:** **\*\* May 16, 2023**

(54) **SCOOTER**

(71) Applicant: **Ram Peer**, Tel-Aviv (IL)

(72) Inventor: **Ram Peer**, Tel-Aviv (IL)

(\*\*) Term: **15 Years**

(21) Appl. No.: **29/751,725**

(22) Filed: **Sep. 23, 2020**

(51) **LOC (14) Cl.** ..... **21-01**

(52) **U.S. Cl.**  
USPC ..... **D21/423**

(58) **Field of Classification Search**  
USPC ..... D12/110, 111, 117; D21/423, 532  
CPC ..... B62K 11/00; B62K 11/02; B62K 11/04  
See application file for complete search history.

(56) **References Cited**

U.S. PATENT DOCUMENTS

D691,671 S *	10/2013	Chen	.....	D21/423
D748,738 S *	2/2016	Hadley	.....	D21/423
D811,489 S *	2/2018	Hadley	.....	D21/423
D832,930 S *	11/2018	Shen	.....	D21/423
D841,097 S *	2/2019	Zeng	.....	D21/423
D849,151 S *	5/2019	Avena	.....	D21/423
D901,595 S *	11/2020	Chen	.....	D21/423
D917,624 S *	4/2021	Wu	.....	D21/423

(Continued)

OTHER PUBLICATIONS

“Uber Scouter Lite GT—Electric Scooter” UberScouter., posted date Aug. 17, 2020 [online], [retrieved on Feb. 22, 2023]. Retrieved from the Internet <URL: [https://www.amazon.com/Uber-Scouter-Lite-GT-White/dp/B08FZQM319?ref\\_ast\\_sto\\_dp&th=1](https://www.amazon.com/Uber-Scouter-Lite-GT-White/dp/B08FZQM319?ref_ast_sto_dp&th=1)> (Year: 2020).\*

(Continued)

*Primary Examiner* — Darlington Ly

*Assistant Examiner* — Nasim Abdulaziz Ali

(74) *Attorney, Agent, or Firm* — Craft Chu PLLC;  
Andrew W. Chu

(57) **CLAIM**

The ornamental design for a scooter, as shown and described.

**DESCRIPTION**

FIG. 1 is a top plan view of the scooter showing my design in a collapsed configuration;

FIG. 2 is a top plan view thereof in an extended configuration;

FIG. 3 is a side elevation view thereof in the collapsed configuration;

FIG. 4 is a side elevation view thereof in the extended configuration;

FIG. 5 is a front perspective view thereof in the collapsed configuration;

FIG. 6 is a front perspective thereof in the extended configuration;

FIG. 7 is an opposite side elevation view thereof in the collapsed configuration;

FIG. 8 is an opposite side elevation view thereof in the extended configuration;

FIG. 9 is a back elevation view thereof in the collapsed configuration;

FIG. 10 is a back elevation view thereof in the extended configuration;

FIG. 11 is a bottom plan view thereof in the collapsed configuration;

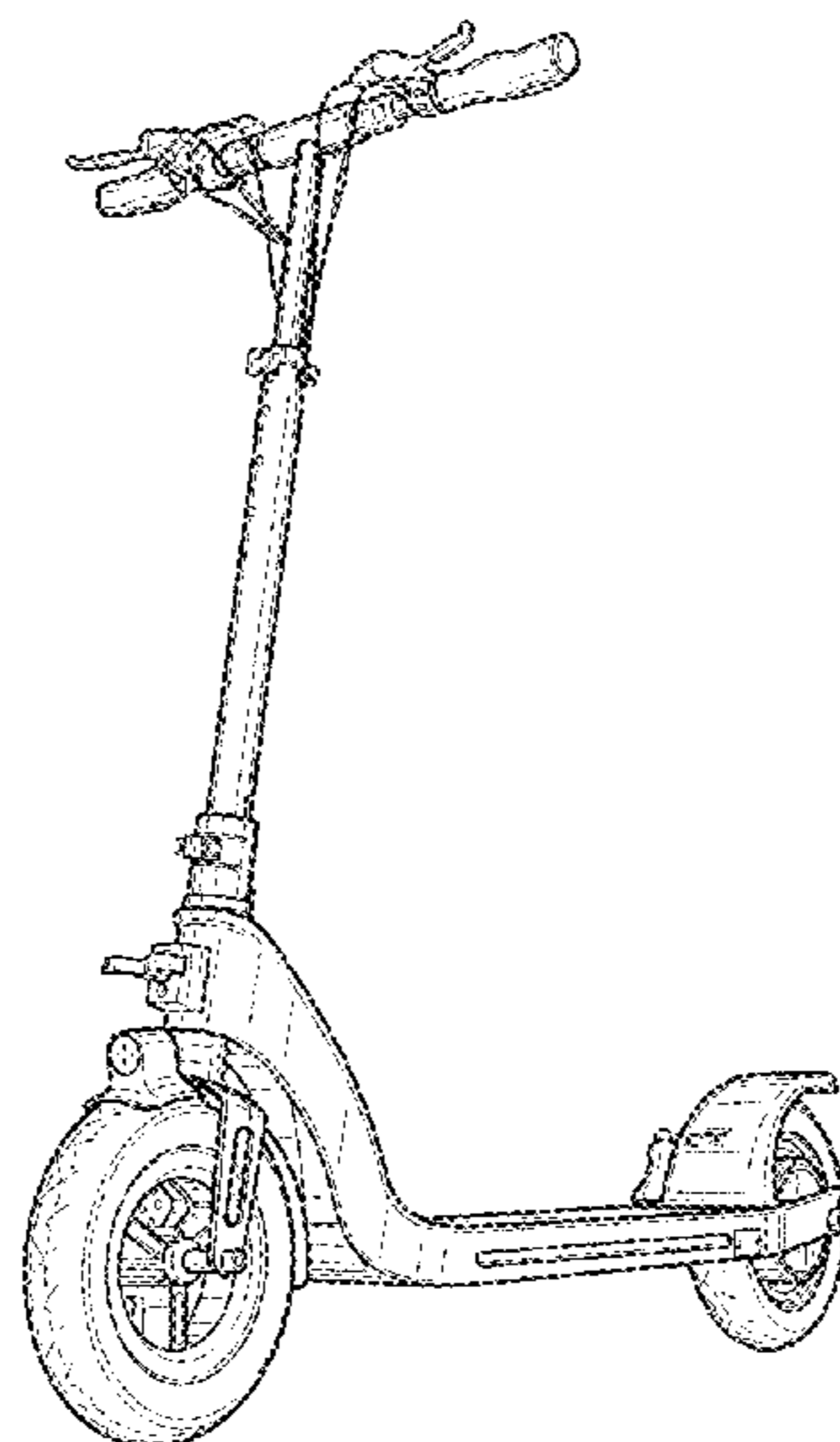
FIG. 12 is a bottom plan view thereof in the extended configuration;

FIG. 13 is a front elevation view thereof in the collapsed configuration; and,

FIG. 14 is a front elevation view thereof in the extended configuration.

The extended configuration corresponds to the shaft and handles unfolded from the foot board of the scooter. The collapsed configuration corresponds to the shaft and handles folded to the foot board of the scooter.

**1 Claim, 4 Drawing Sheets**



(56)

**References Cited**

U.S. PATENT DOCUMENTS

D936,152 S \* 11/2021 Yao ..... D21/423  
D940,252 S \* 1/2022 Deng ..... D21/423  
D957,533 S \* 7/2022 Burkatskyy ..... D21/423  
2015/0246705 A1 \* 9/2015 Sharkan ..... B62K 15/008  
180/208

OTHER PUBLICATIONS

“Electric Kick Scooter” Megawheels., posted date Oct. 17, 2022 [online], [retrieved on Feb. 22, 2023]. Retrieved from the Internet <URL: <https://www.amazon.com/Electric-Scooter-Pneumatic-Tubeless-Miles%EF%BC%8CFoldable/dp/B0BJCZTC3Y>> (Year: 2022).\*

“Hiboy S2 Pro Electric Scooter” Hiboy., posted date Aug. 21, 2018 [online], [retrieved on Feb. 22, 2023]. Retrieved from the Internet <URL: <https://www.hiboy.com/products/hiboy-s2pro-electric-scooter-for-daily-commuting?currency=USD&variant=42041508135161>> (Year: 2018).\*

\* cited by examiner

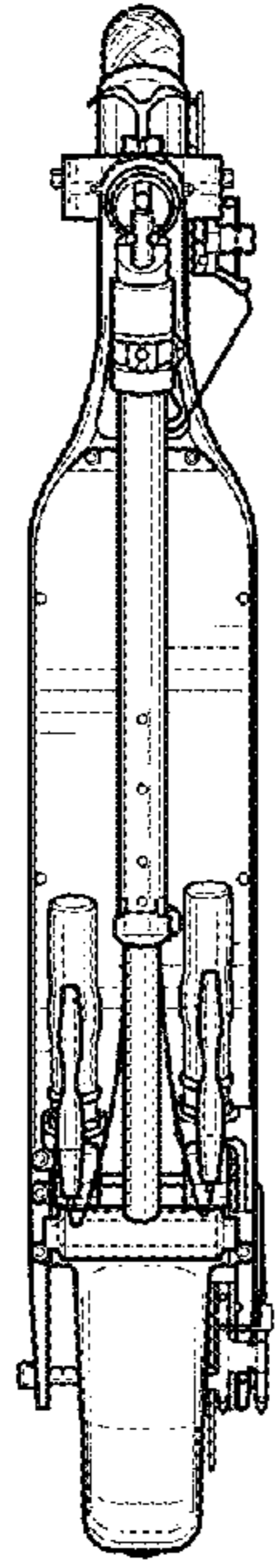


FIG. 1

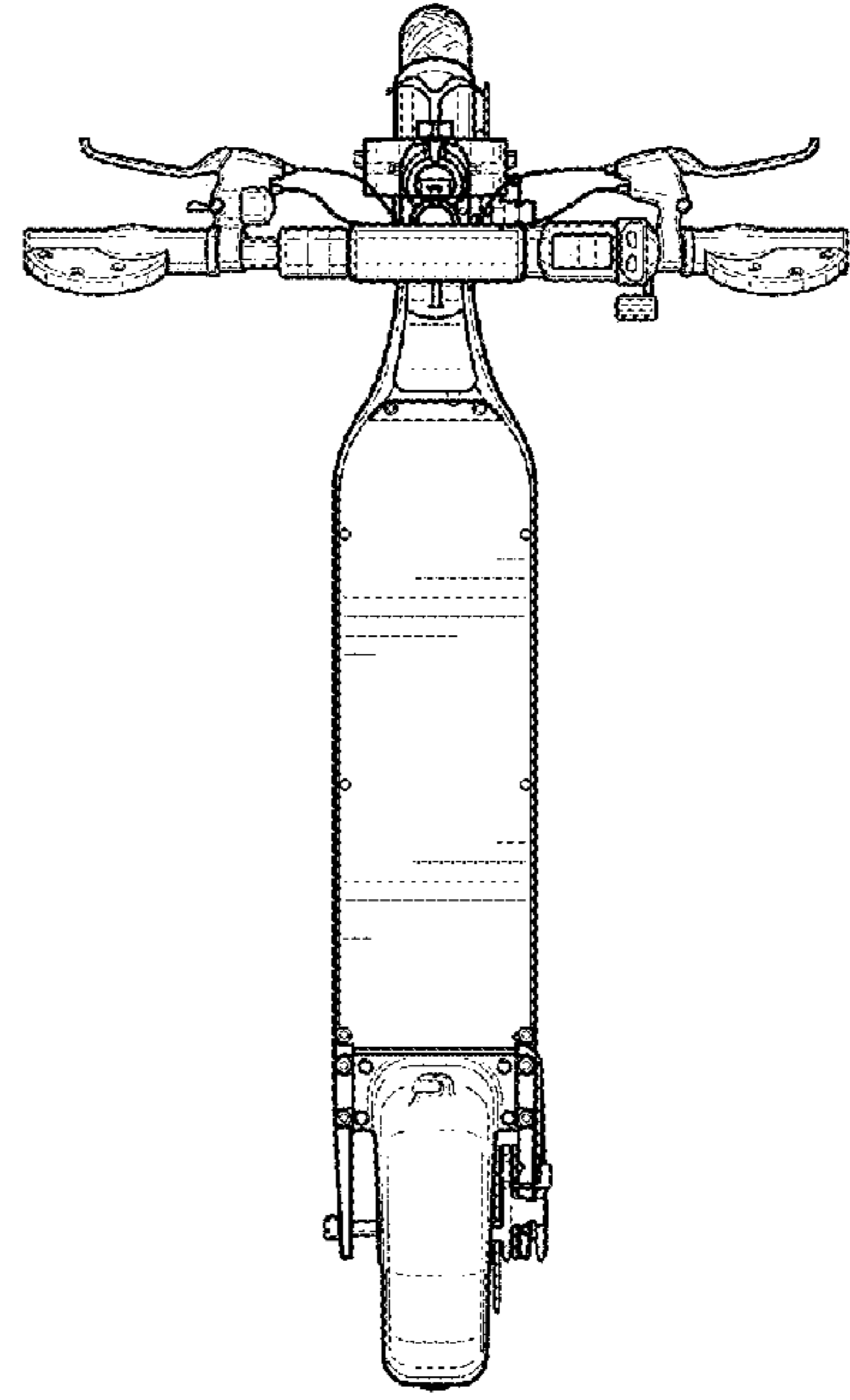


FIG. 2

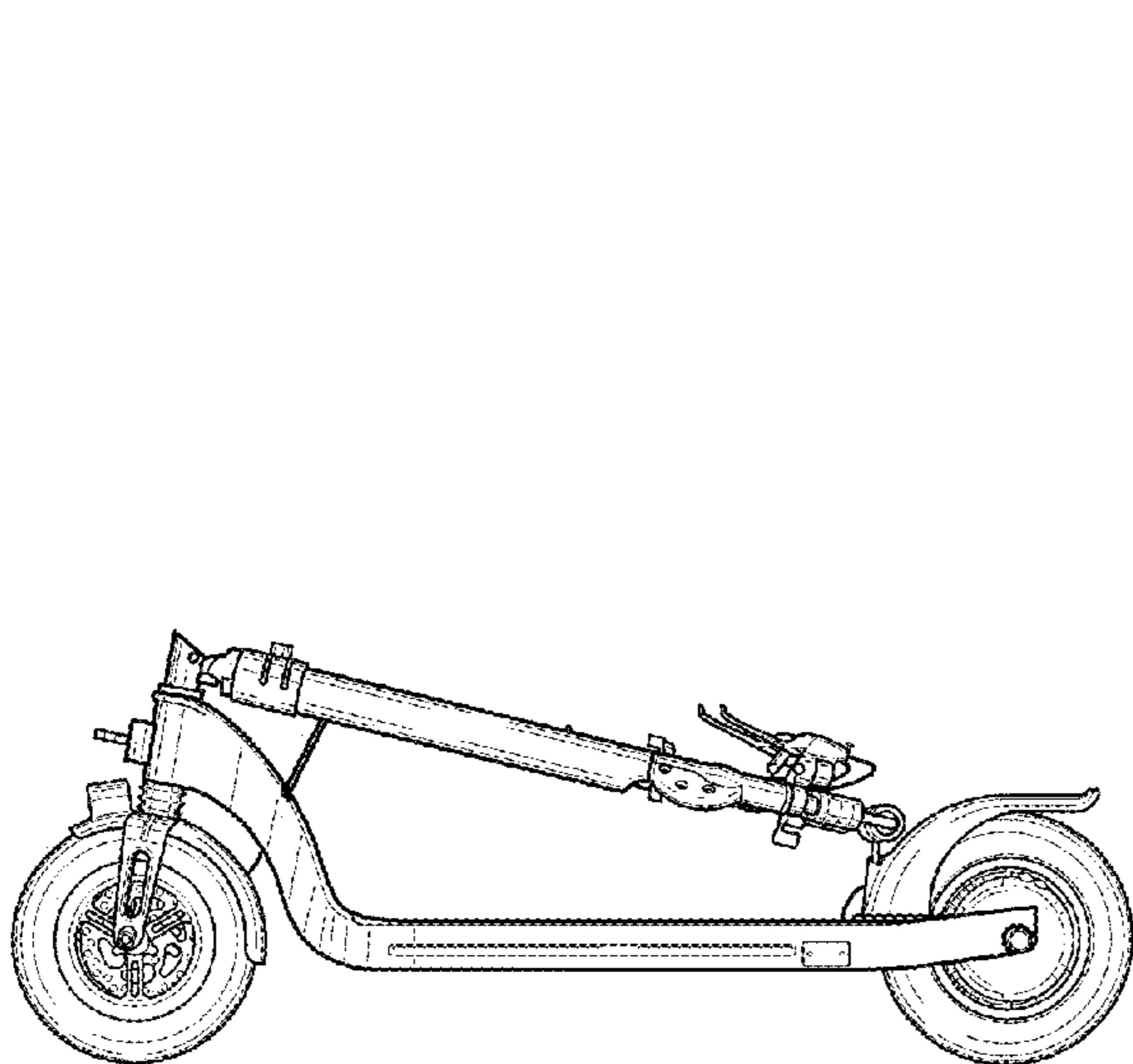


FIG. 3

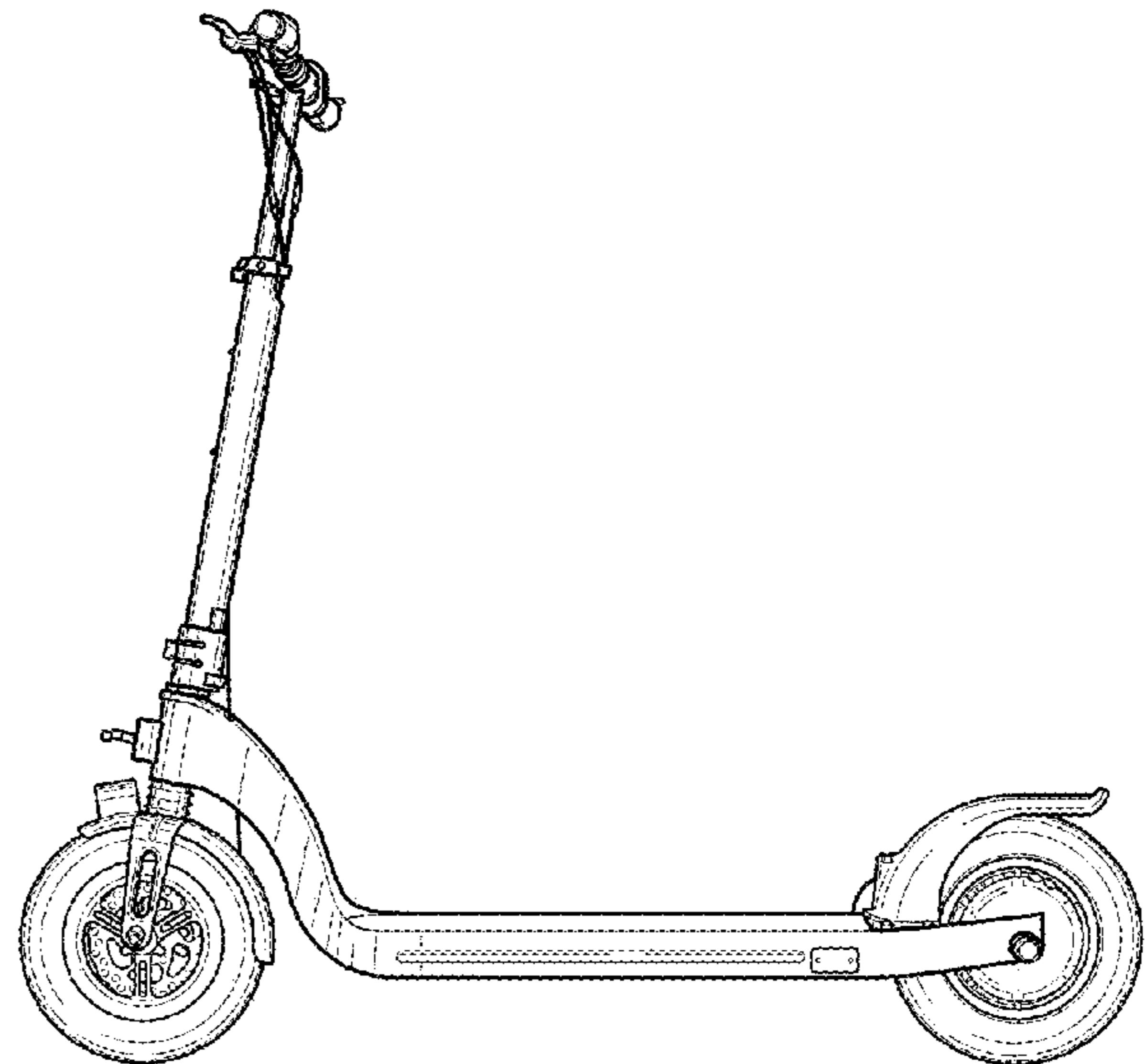


FIG. 4

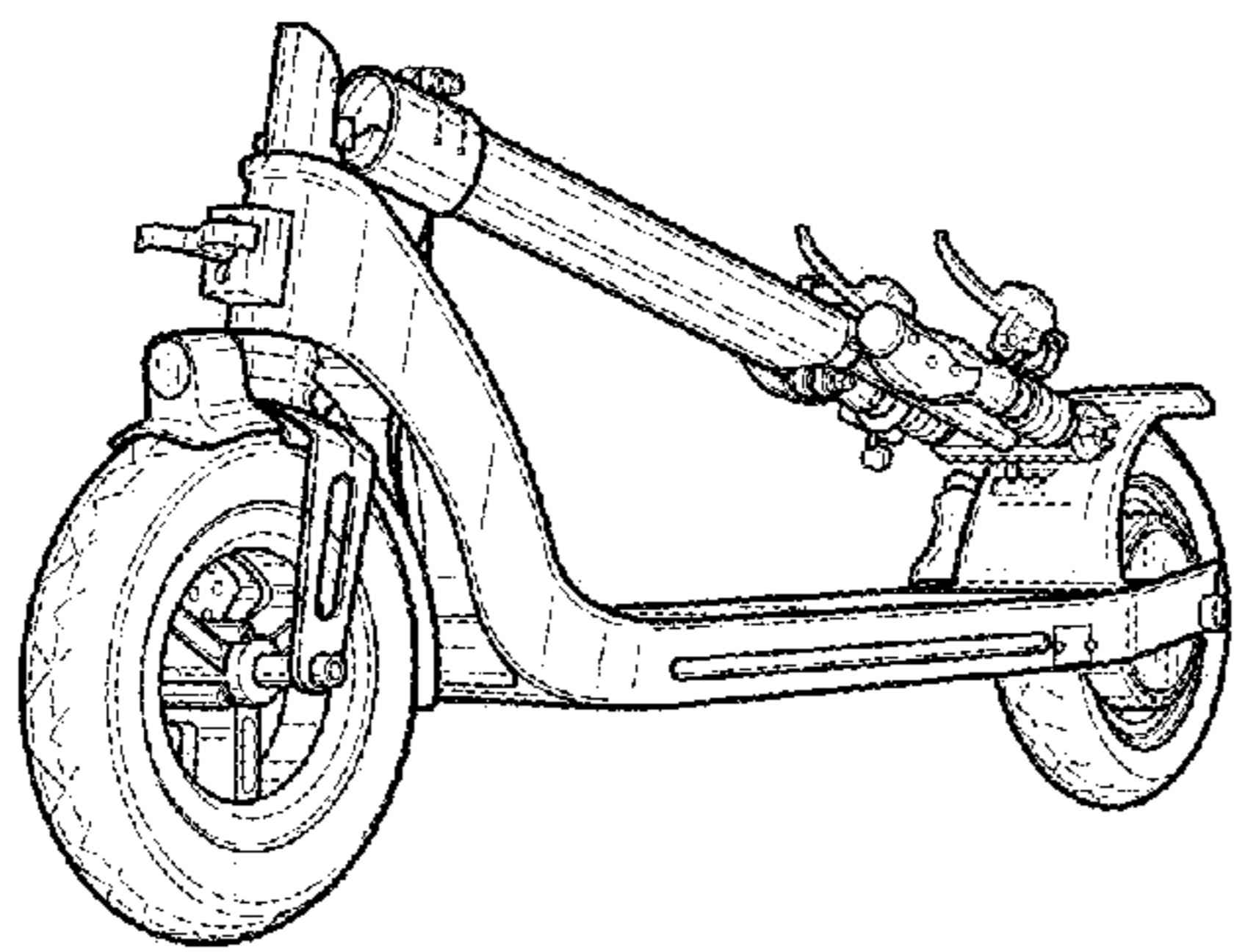


FIG. 5

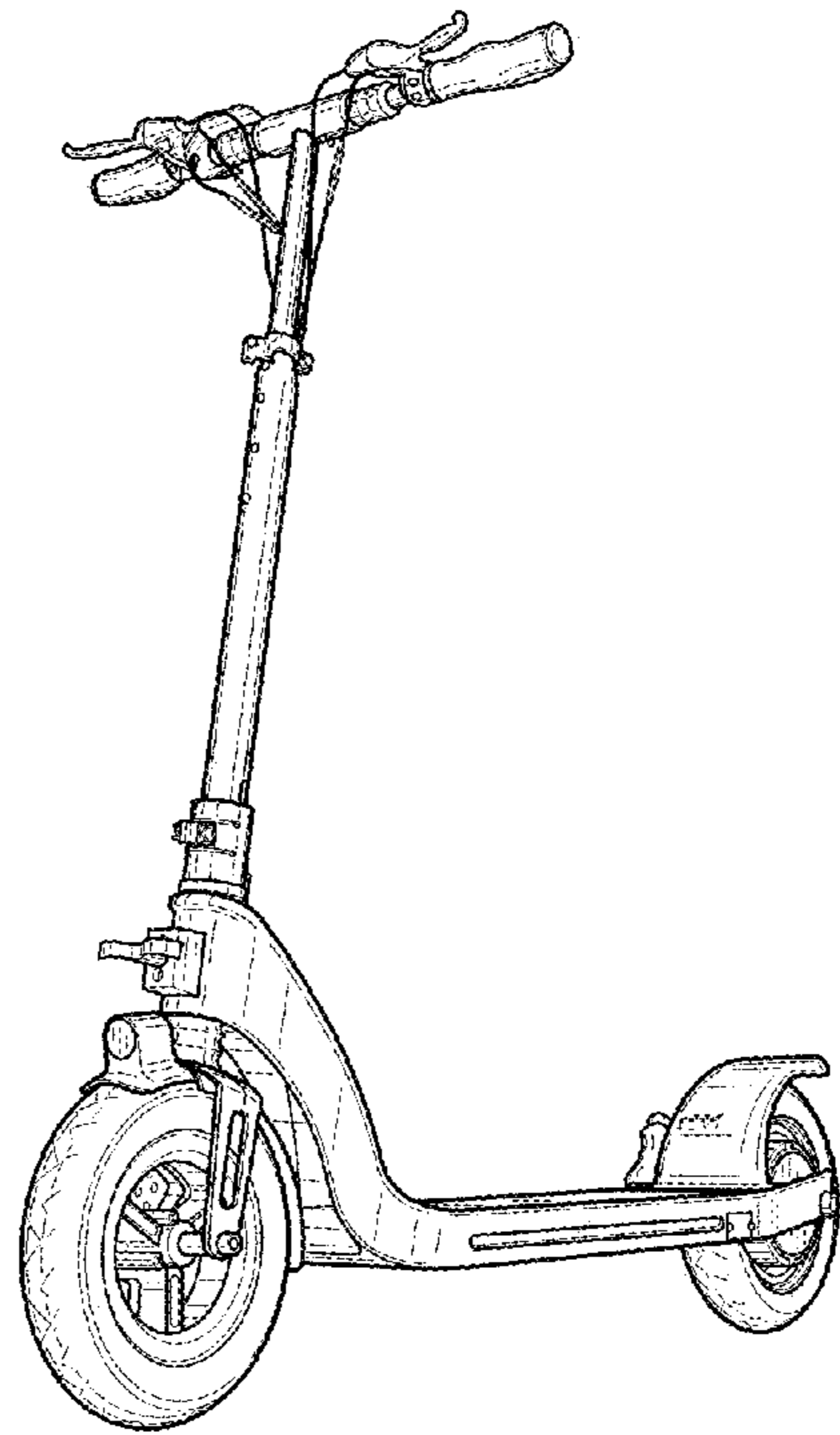


FIG. 6

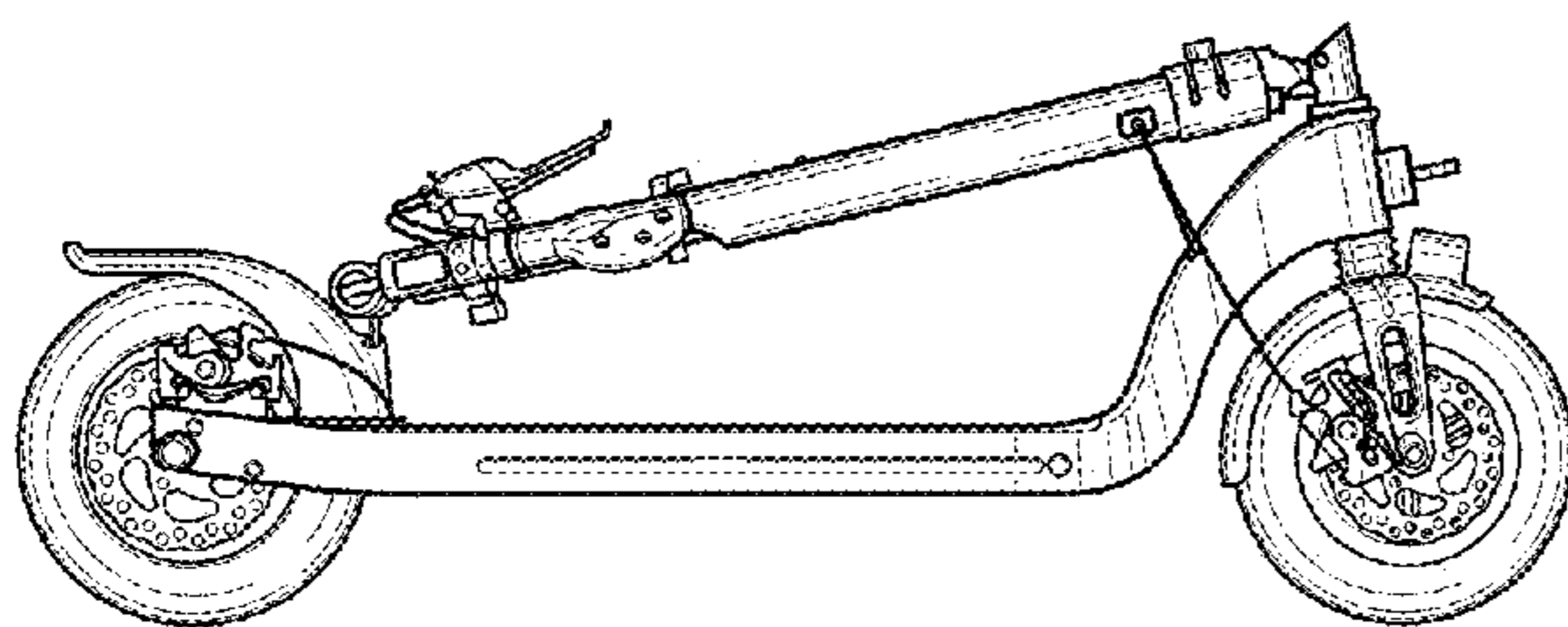


FIG. 7

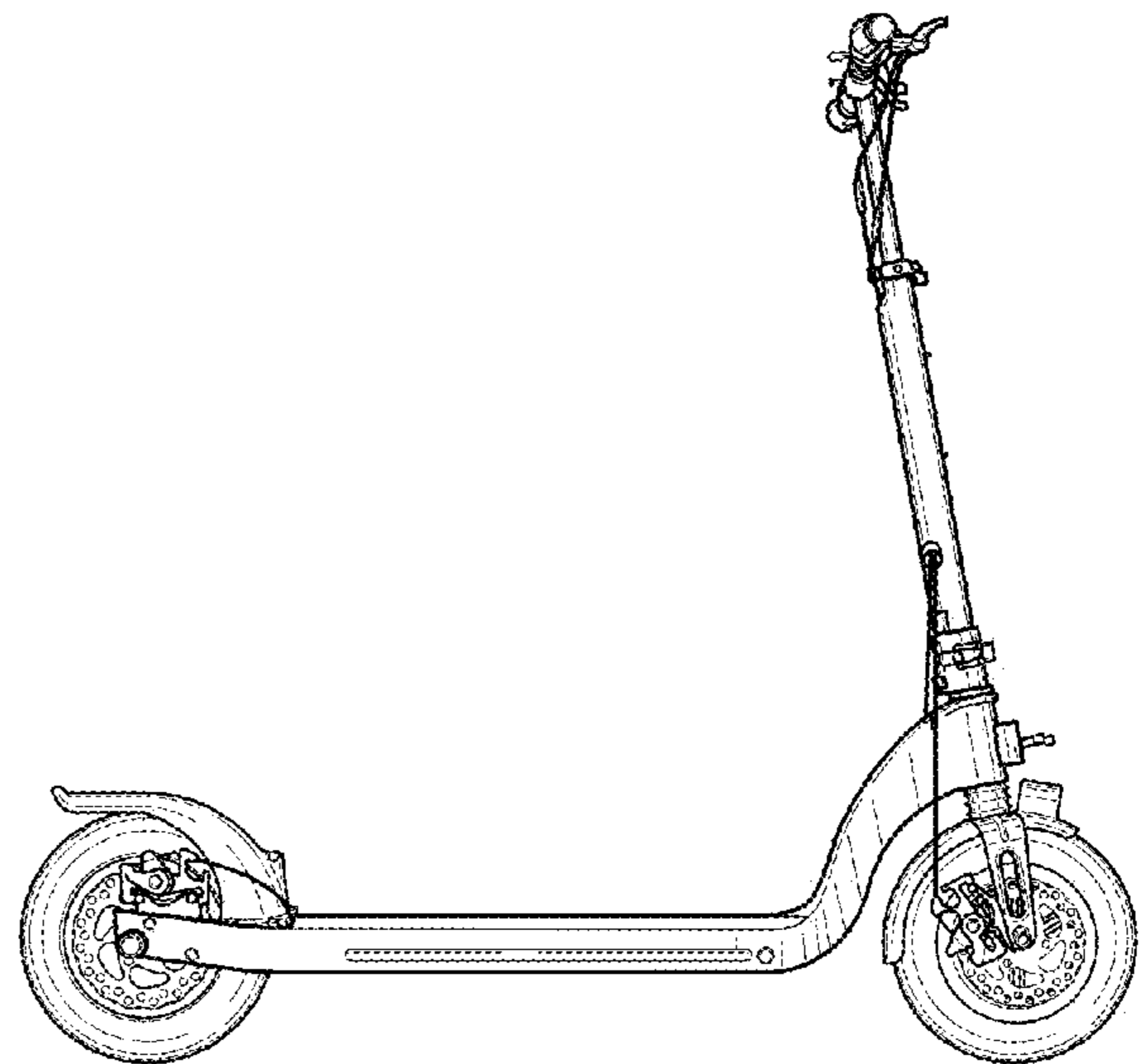


FIG. 8

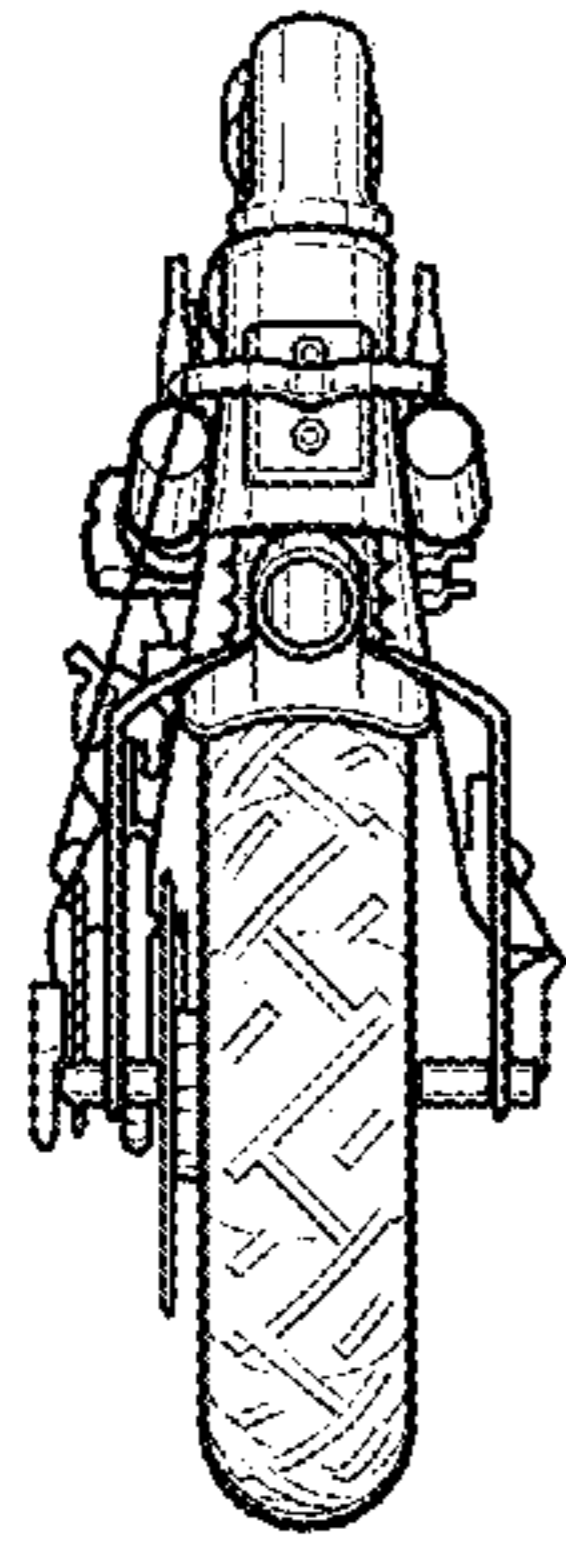


FIG. 9

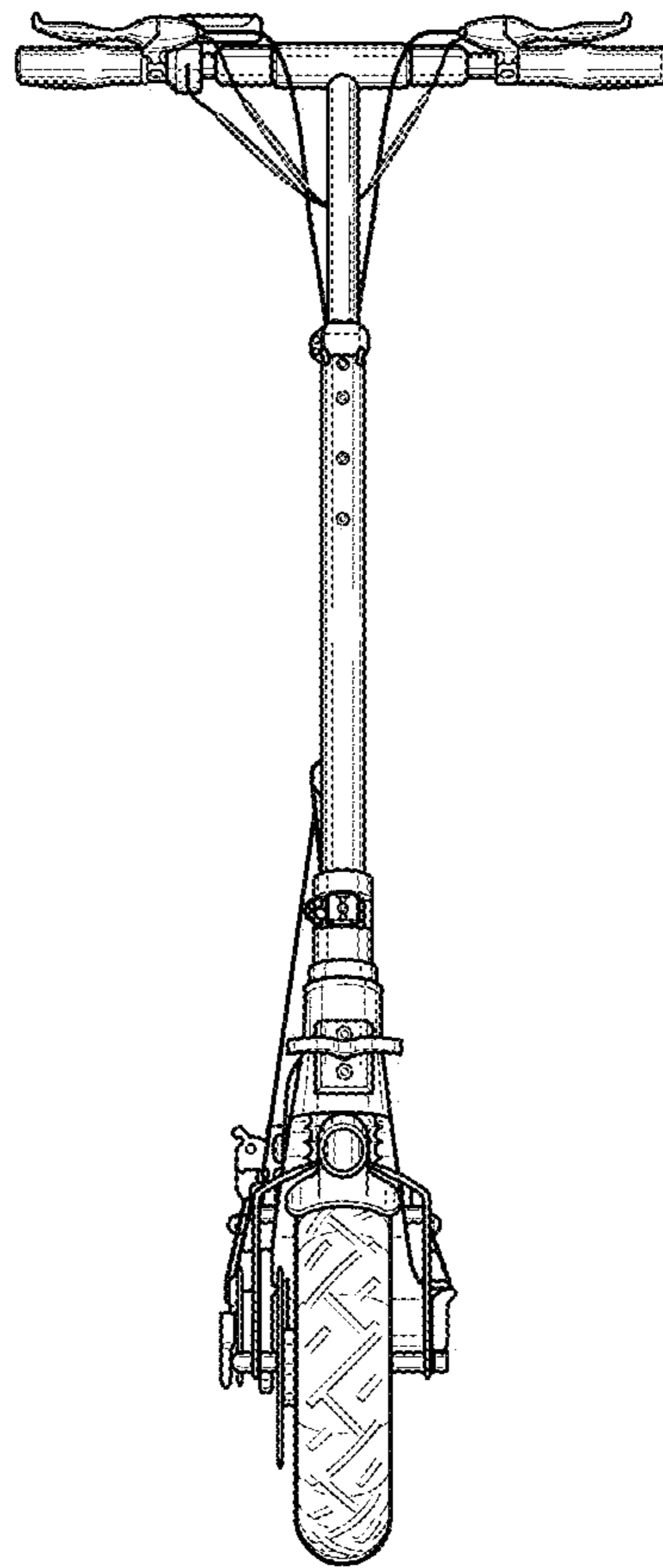


FIG. 10

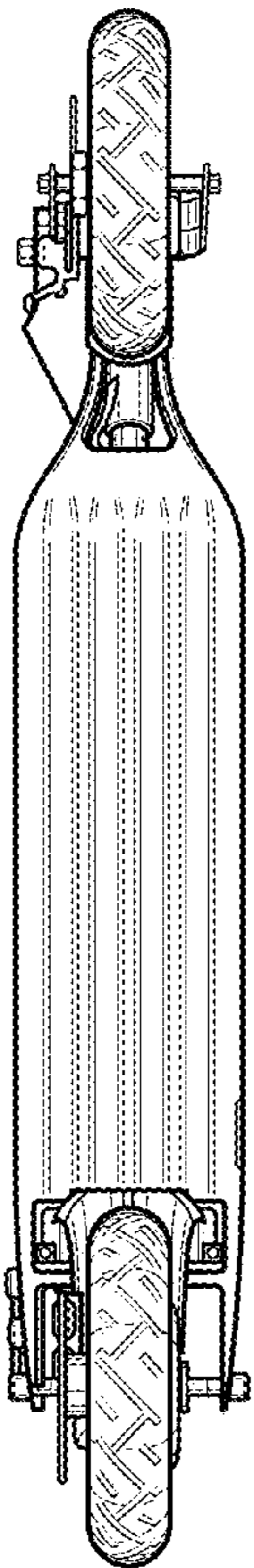


FIG. 11

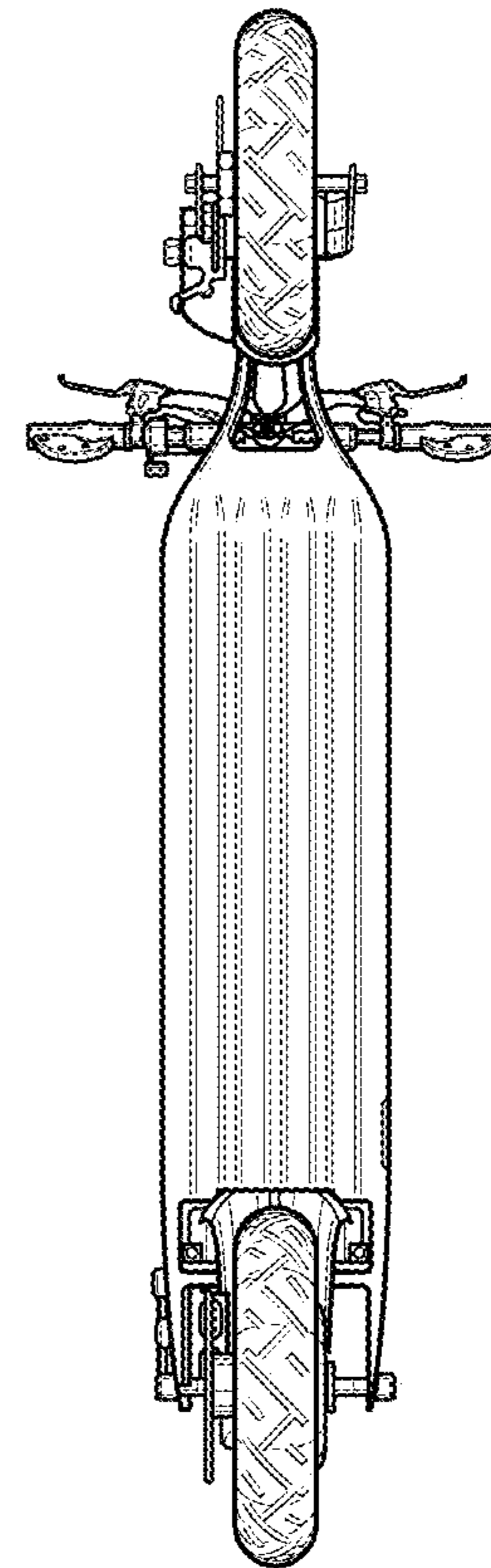
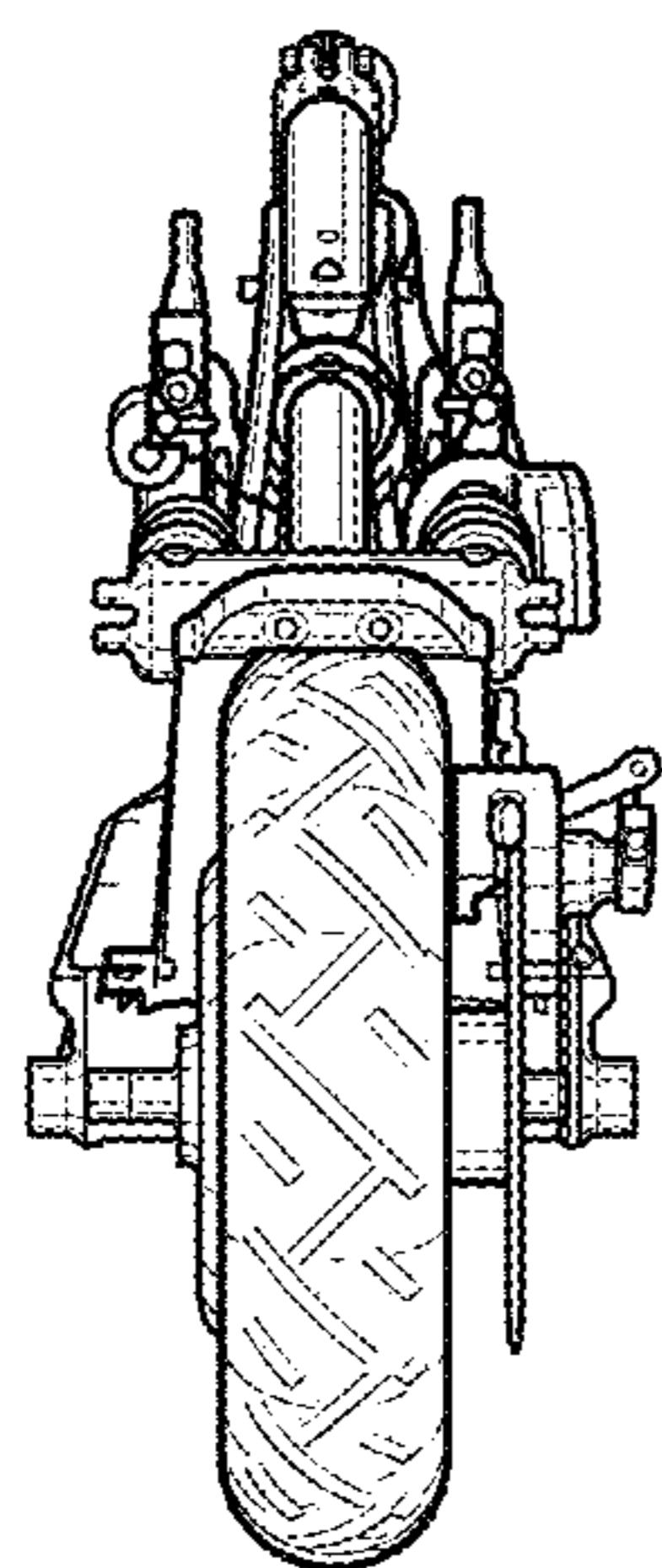
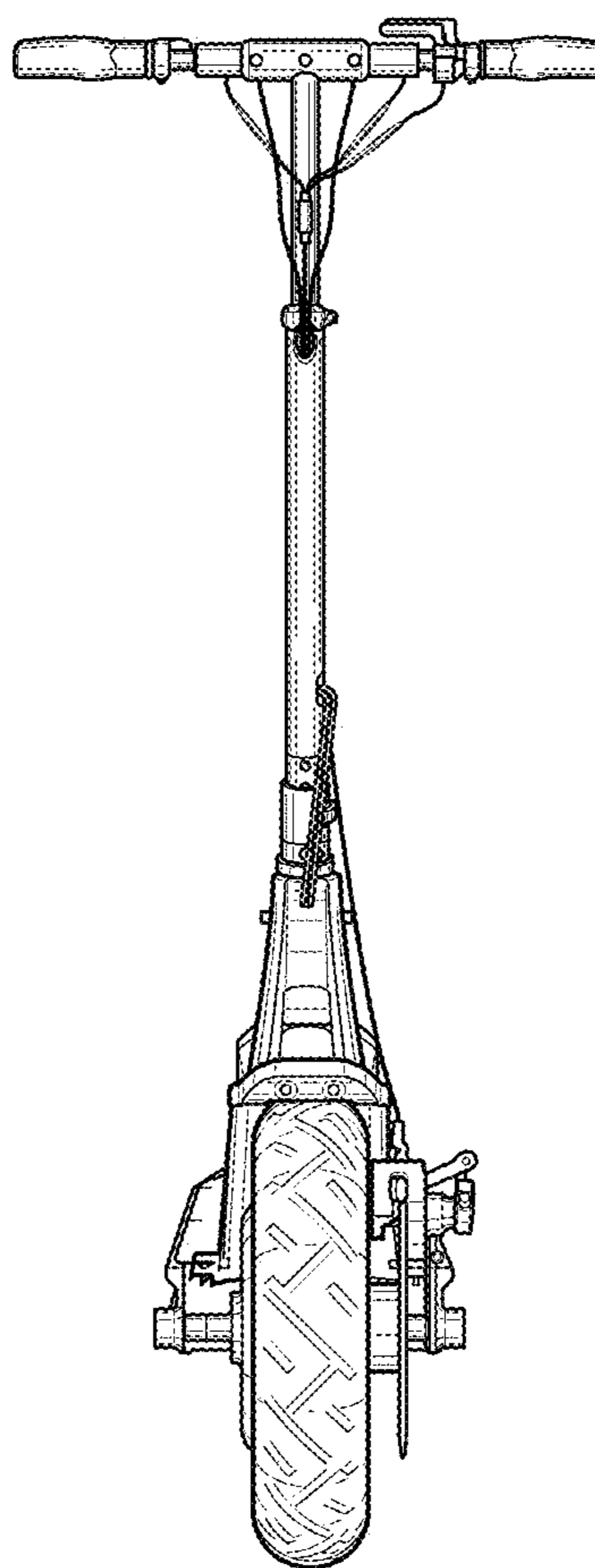


FIG. 12



*FIG. 13*



*FIG. 14*