



US00D986109S

(12) **United States Design Patent** (10) **Patent No.:** **US D986,109 S**  
**Sato** (45) **Date of Patent:** **\*\* May 16, 2023**

(54) **ALL-TERRAIN VEHICLE AND/OR REPLICA THEREOF**

(71) Applicant: **HONDA MOTOR CO., LTD.**, Tokyo (JP)

(72) Inventor: **Yasuhiro Sato**, Raymond, OH (US)

(73) Assignee: **HONDA MOTOR CO., LTD.**, Tokyo (JP)

(\*\*) Term: **15 Years**

(21) Appl. No.: **29/784,643**

(22) Filed: **May 20, 2021**

(51) **LOC (14) Cl.** ..... **12-11**

(52) **U.S. Cl.**  
USPC ..... **D12/107**

(58) **Field of Classification Search**  
USPC ..... D12/3, 86, 87, 107, 110  
CPC ..... B60K 5/12; B60K 13/04; B60K 17/354  
See application file for complete search history.

(56) **References Cited**

**U.S. PATENT DOCUMENTS**

D300,011 S *	2/1989	Oba	.....	D12/87
D301,849 S *	6/1989	Oba	.....	D12/87
D312,989 S *	12/1990	Murata	.....	D12/87
D327,237 S *	6/1992	Miyamoto	.....	D12/87
D467,200 S *	12/2002	Luo	.....	D12/87
D500,707 S *	1/2005	Lu	.....	D12/87
D503,658 S *	4/2005	Lu	.....	D12/87
D535,215 S *	1/2007	Turner	.....	D12/87
D549,133 S *	8/2007	LePage	.....	D12/87
D622,631 S *	8/2010	Lai	.....	D12/87
D633,006 S *	2/2011	Sanschagrin	.....	D12/1
D640,171 S *	6/2011	Danisi	.....	D12/87
8,613,335 B2 *	12/2013	Deckard	.....	F16H 57/027 180/68.1
D701,469 S *	3/2014	Lai	.....	D12/87
D703,102 S *	4/2014	Eck	.....	D12/87
D737,724 S *	9/2015	Schroeder	.....	D12/87
9,327,587 B2 *	5/2016	Spindler	.....	B62D 65/10

D762,522 S *	8/2016	Kinoshita	.....	D12/87
D772,755 S *	11/2016	Tandrup	.....	D12/87
D804,993 S *	12/2017	Eck	.....	D12/87
D816,551 S *	5/2018	Leyrikh	.....	D12/87
D896,702 S	9/2020	Dunshee et al.		
D896,703 S	9/2020	Dunshee et al.		

**OTHER PUBLICATIONS**

“Defender Pro DPS.” Can-Am., Jul. 19, 2021 [online], [retrieved on Jul. 12, 2022]. Retrieved from the Internet <URL: <https://can-am.brp.com/off-road/us/en/models/side-by-side-vehicles/defender.html#pro-dps>>.\*  
“Polaris Ranger 2022.” Polaris Off Road., Oct. 18, 2021 [online], [retrieved on Jul. 12, 2022]. Retrieved from the Internet <URL: <https://offroad.polaris.com/en-us/catalogs/>>.\*

\* cited by examiner

*Primary Examiner* — Darlington Ly

(74) *Attorney, Agent, or Firm* — WHDA, LLP

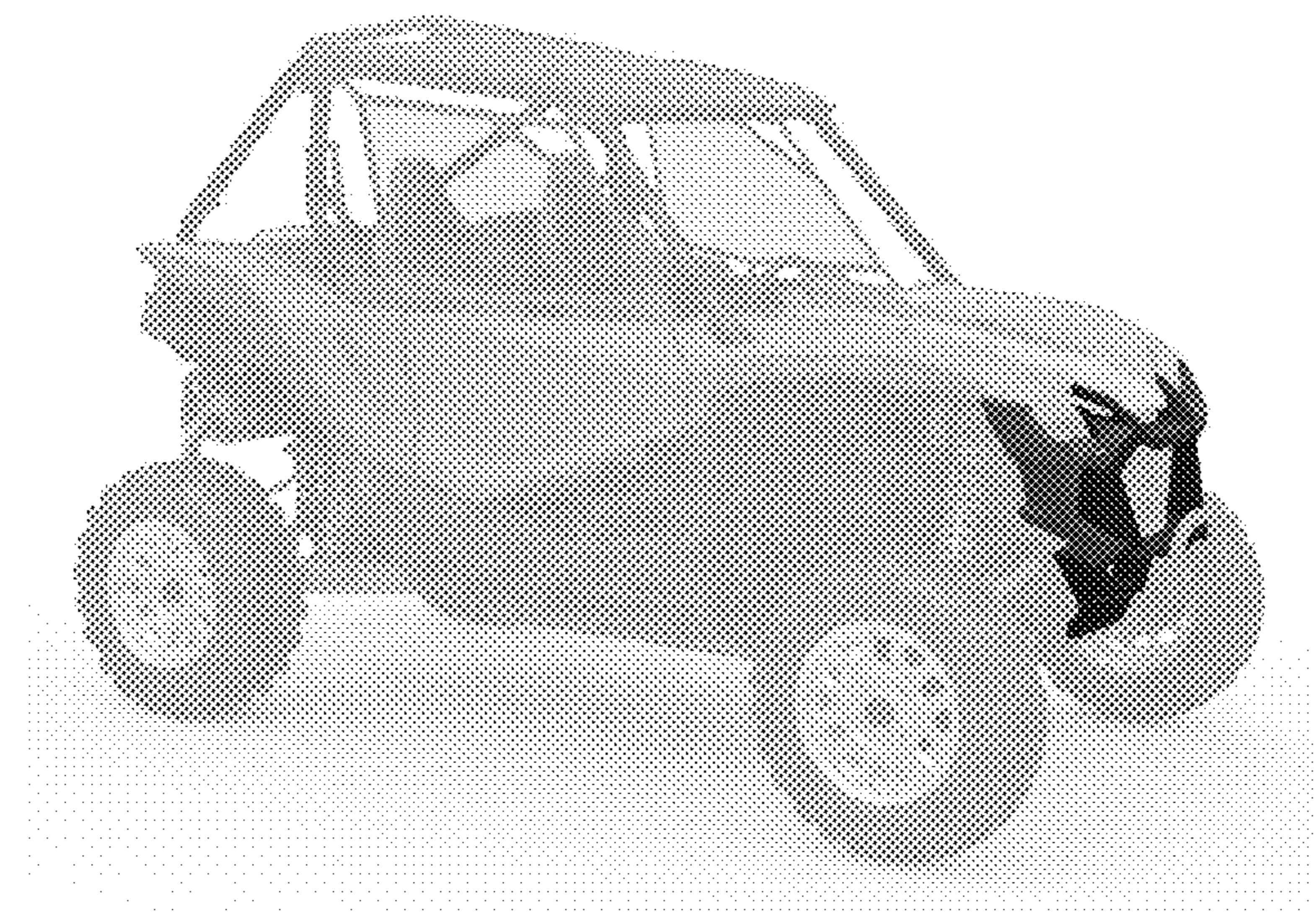
(57) **CLAIM**

The ornamental design for an all-terrain vehicle and/or replica thereof, as shown and described.

**DESCRIPTION**

FIG. 1 is a right, front perspective view of an all-terrain vehicle and/or replica thereof, showing my new design; FIG. 2 is a left, rear perspective view thereof; FIG. 3 is a right, rear perspective view thereof; FIG. 4 is a left, front perspective view thereof; FIG. 5 is a front elevation view thereof; FIG. 6 is a rear elevation view thereof; FIG. 7 is a top plan view thereof; FIG. 8 is a bottom plan view thereof; FIG. 9 is a right side elevation view thereof; and, FIG. 10 is a left side elevation view thereof. The claimed design is indicated by the relatively dark portion, while the relatively light portions form no part of the claimed design.

**1 Claim, 10 Drawing Sheets**





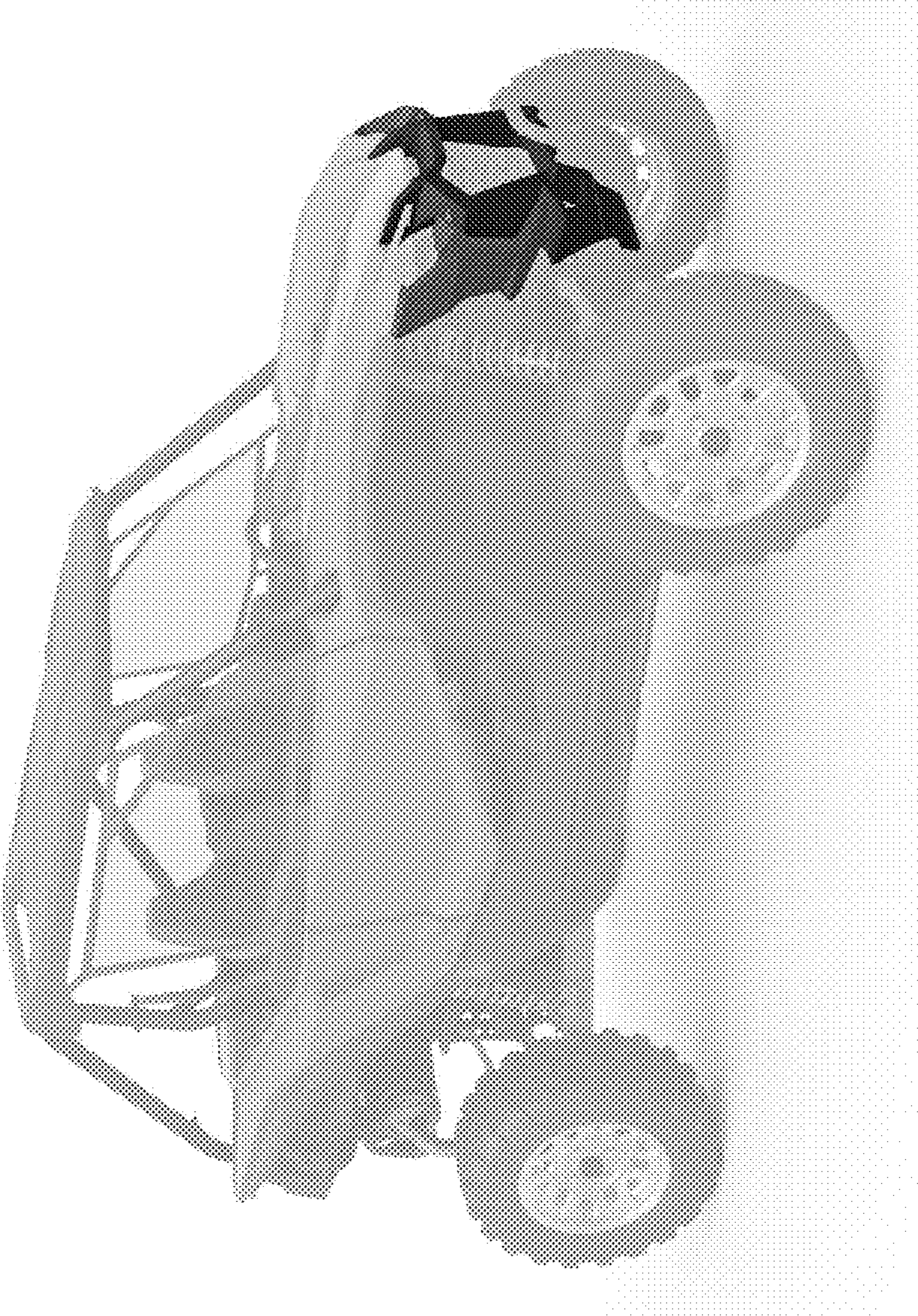


FIG.1





FIG.2





FIG.3



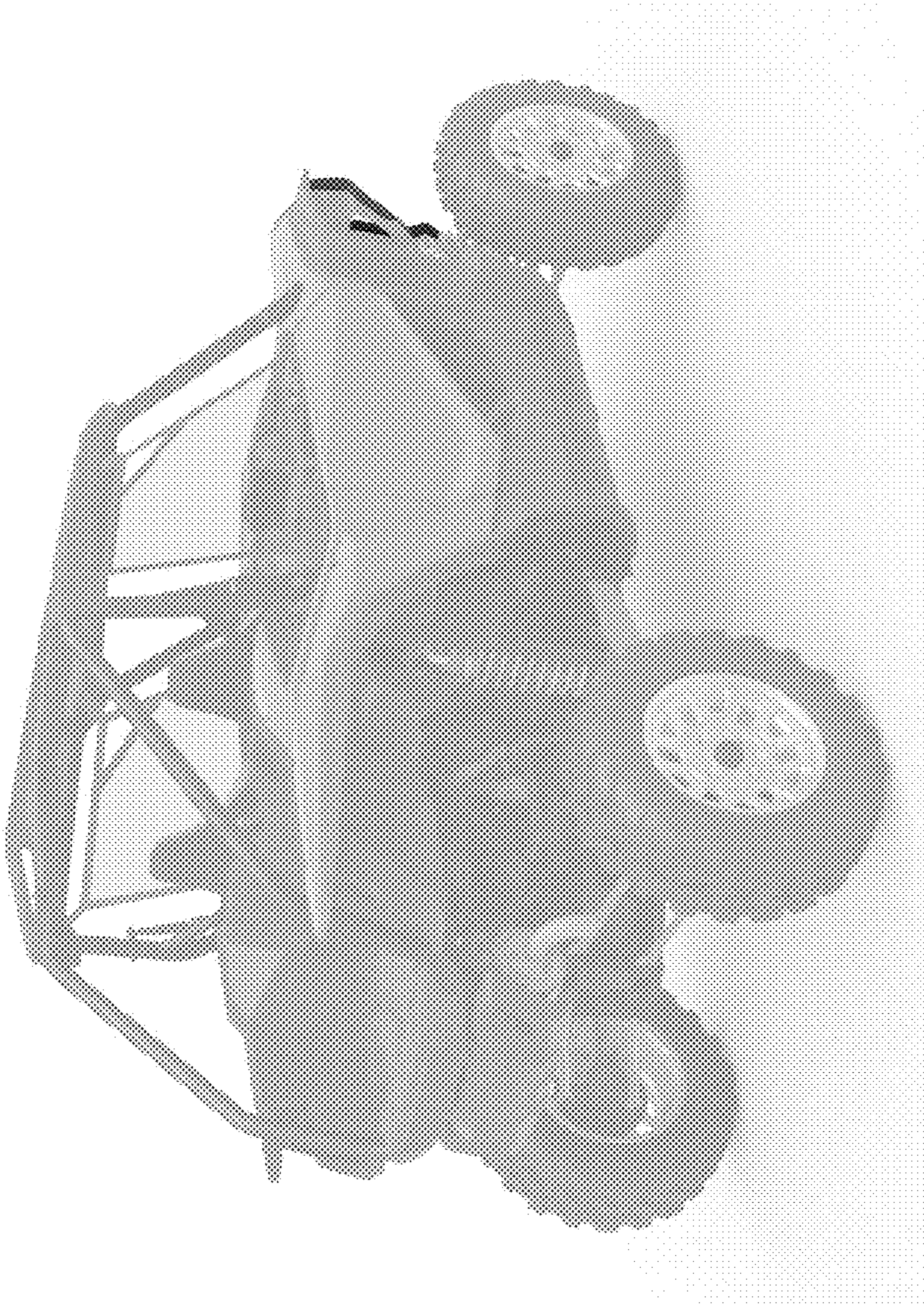


FIG.4



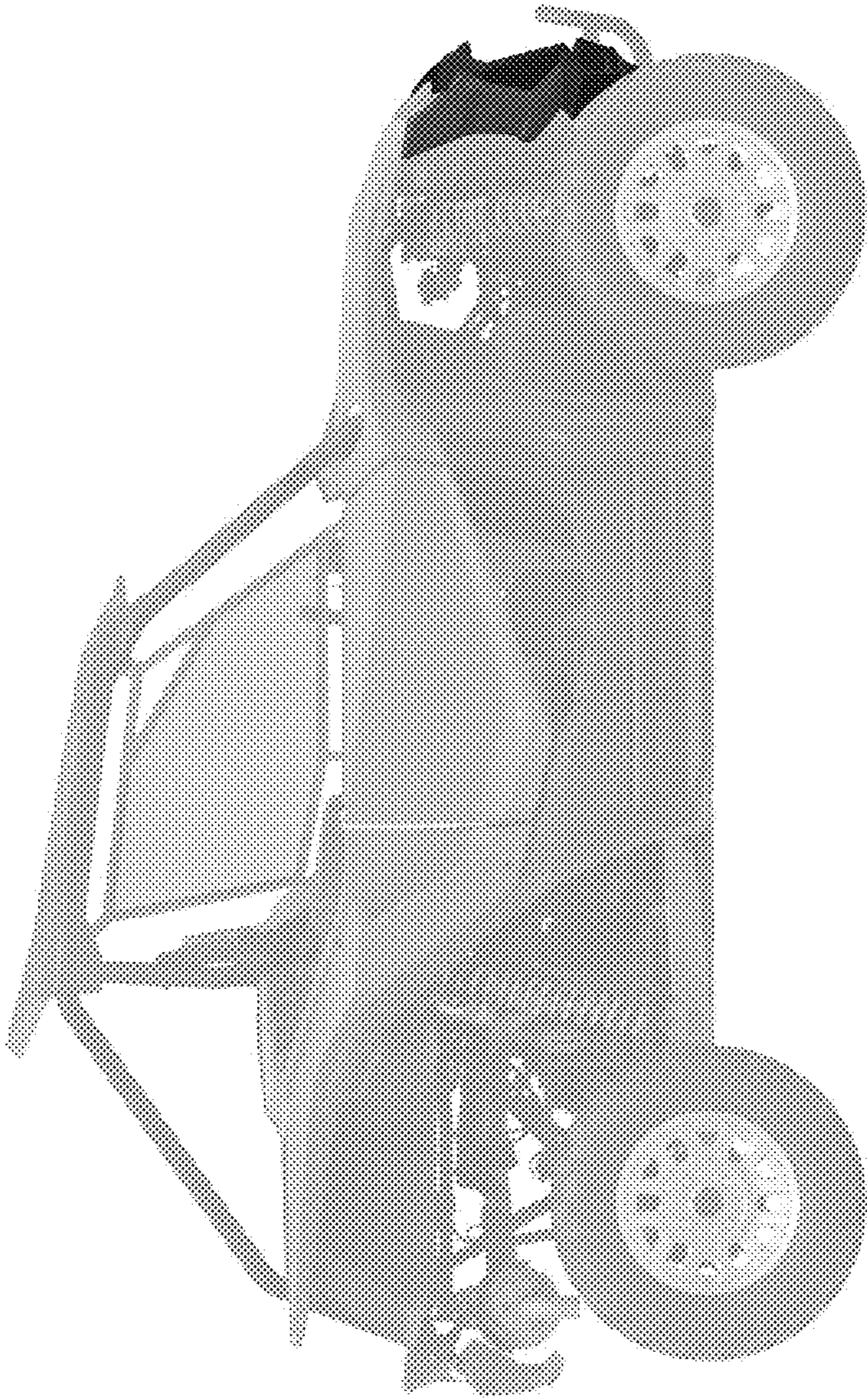


FIG.5



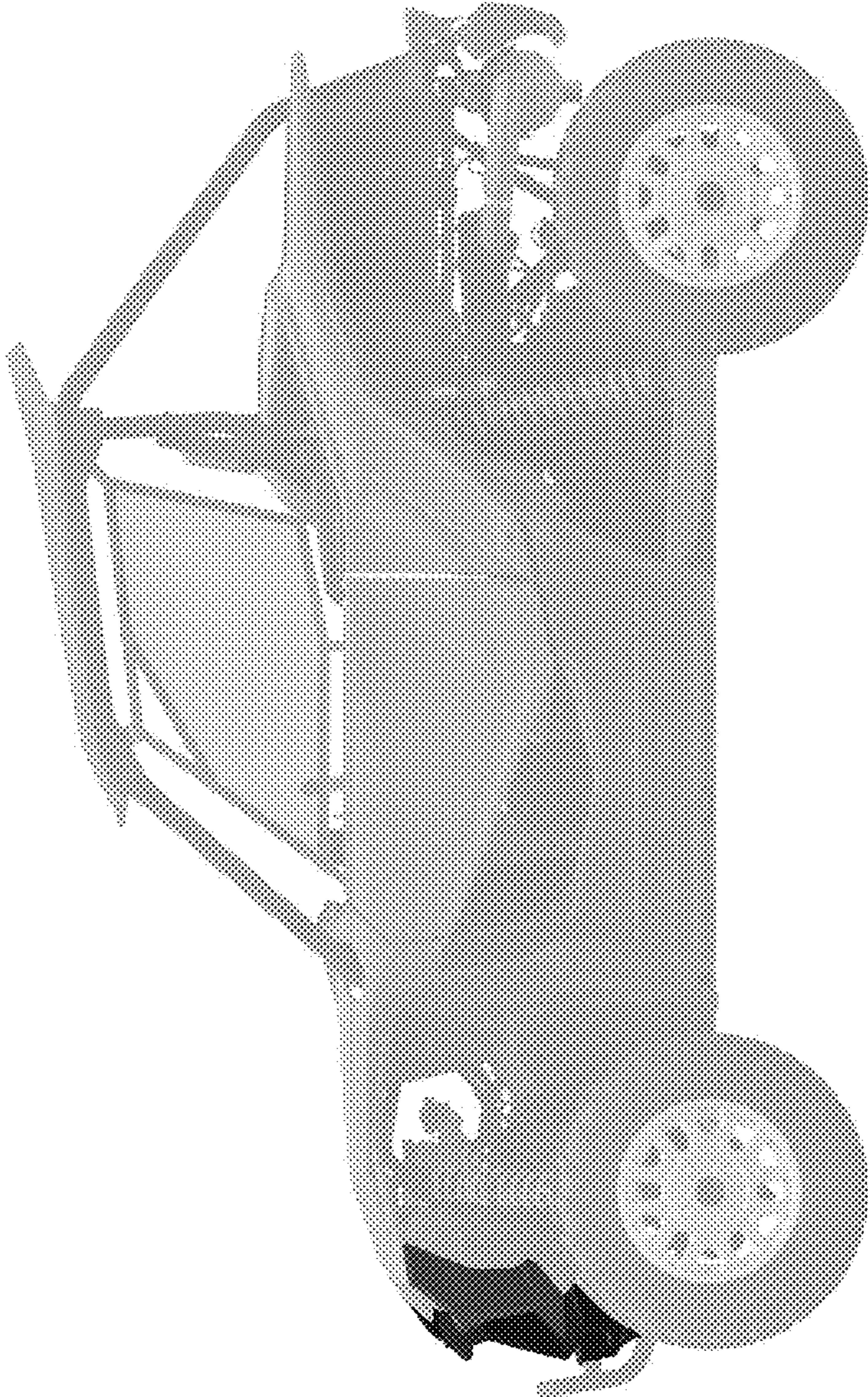


FIG.6



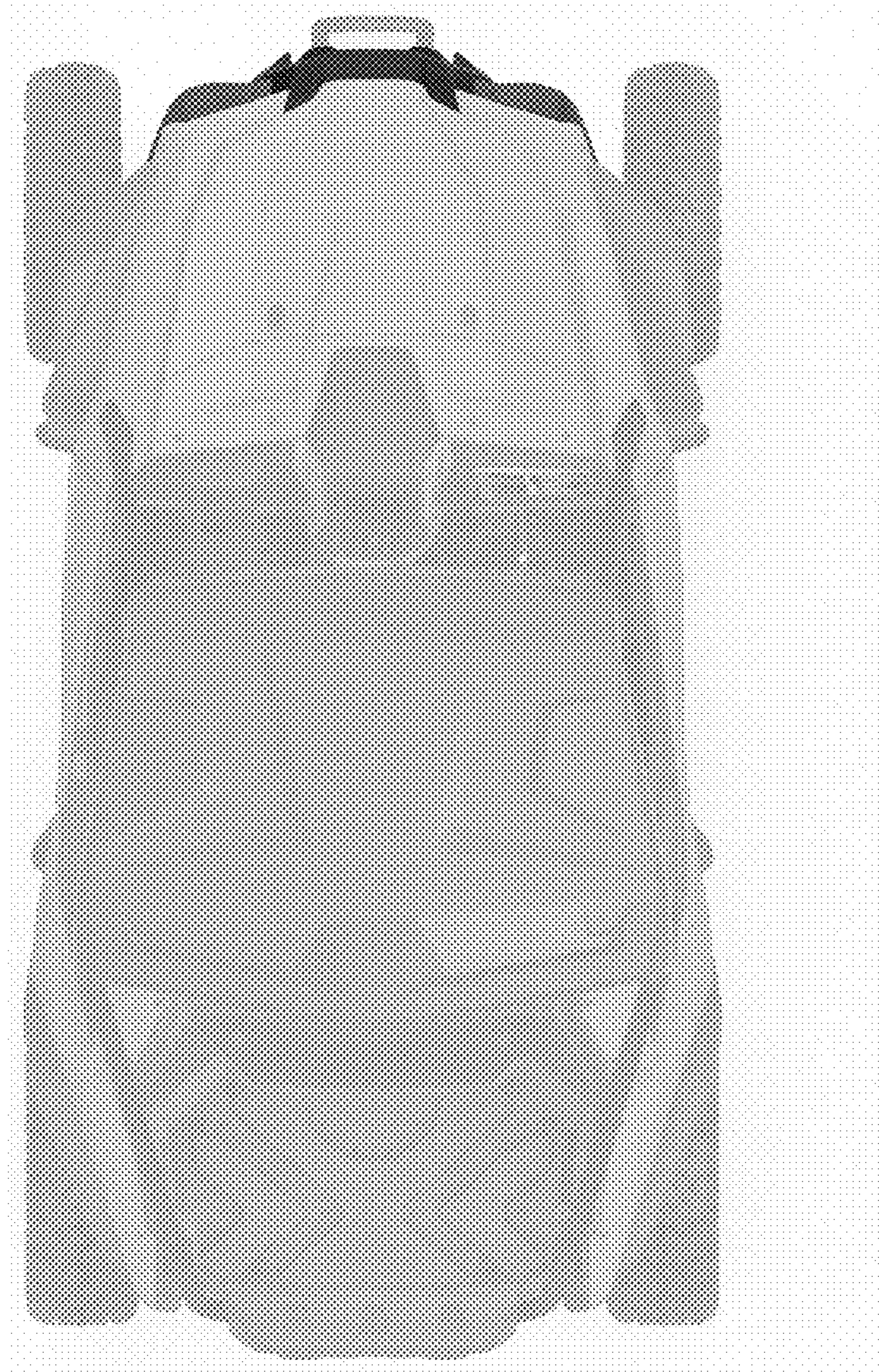


FIG.7



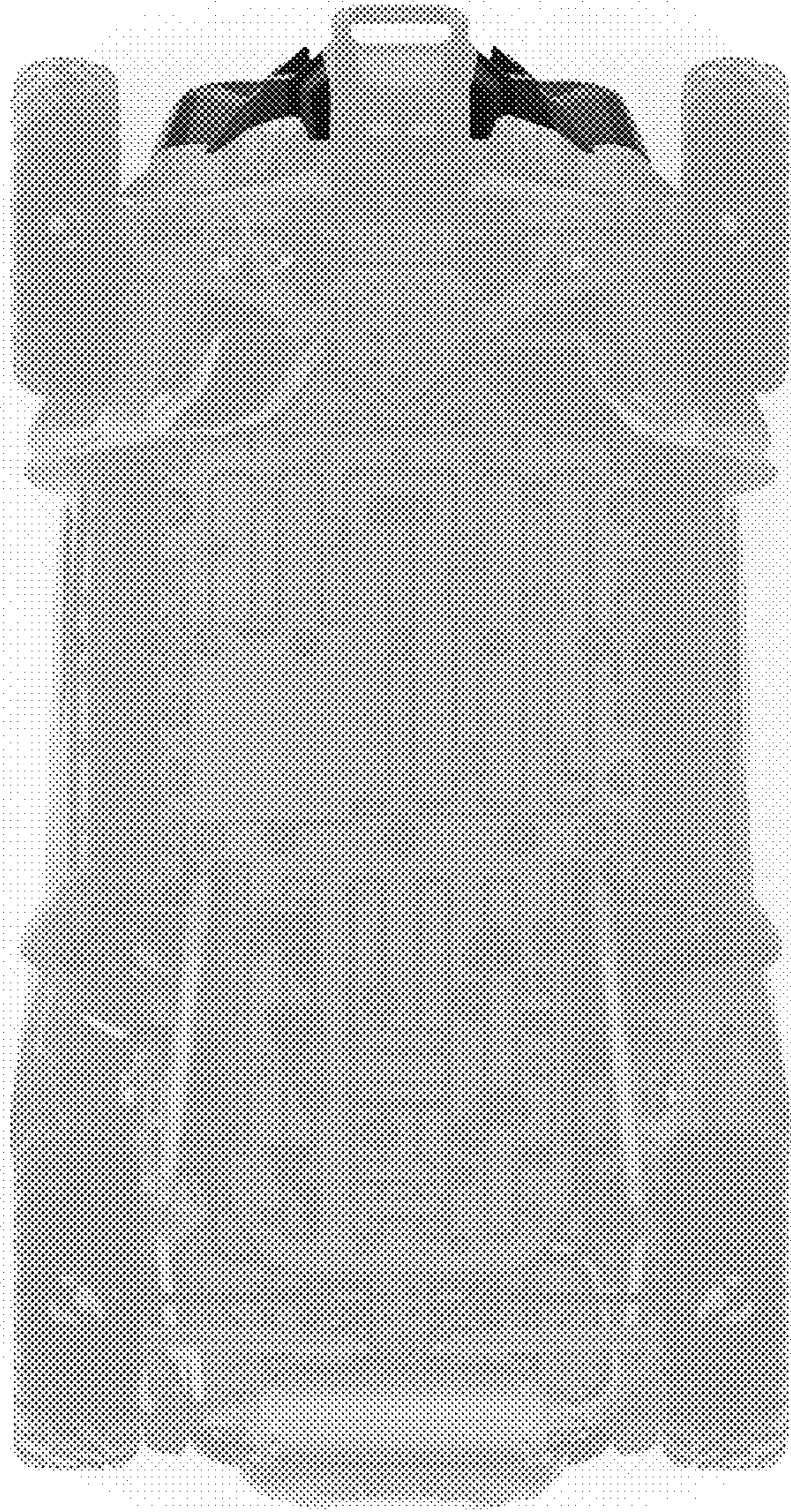


FIG.8



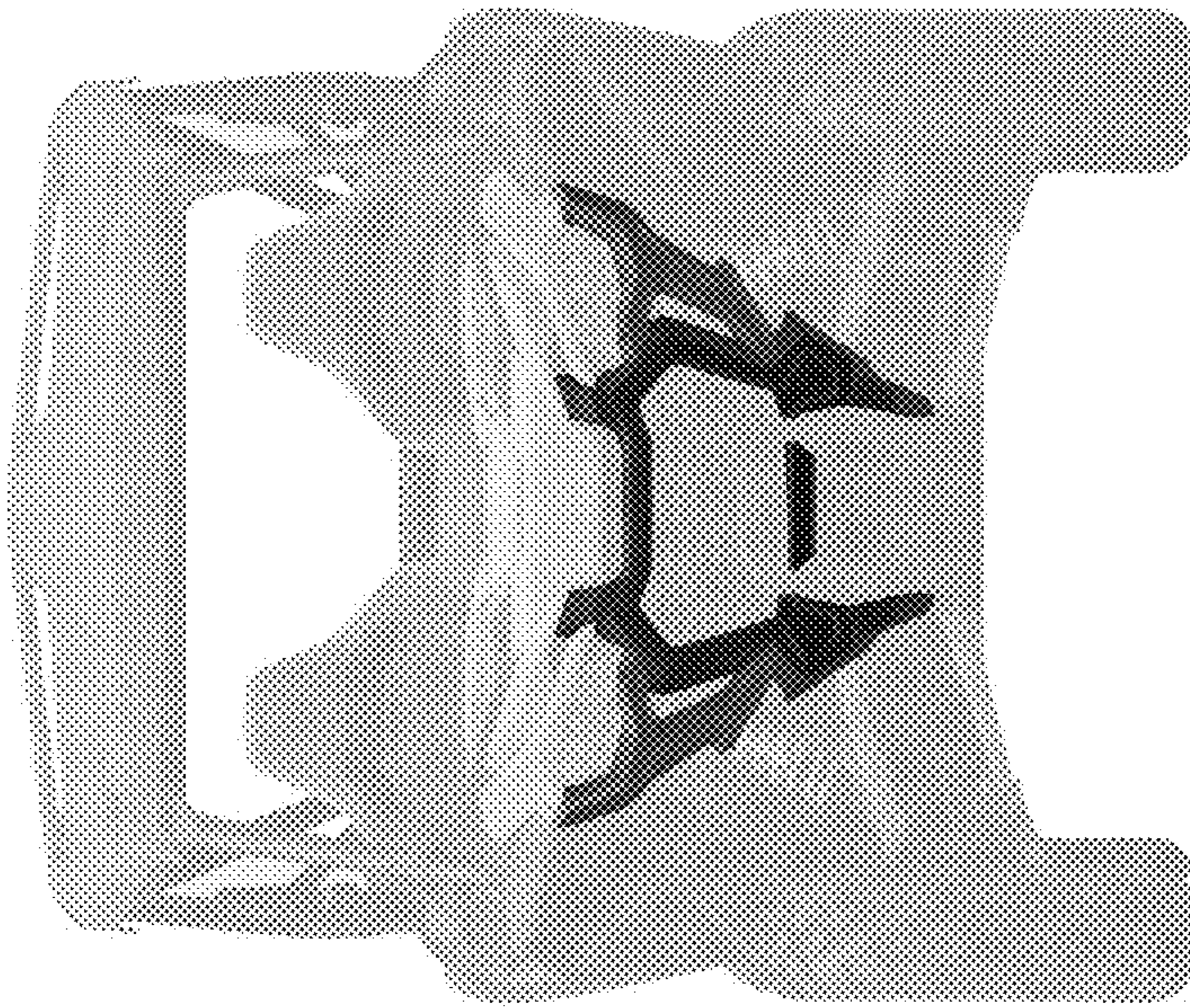


FIG.9



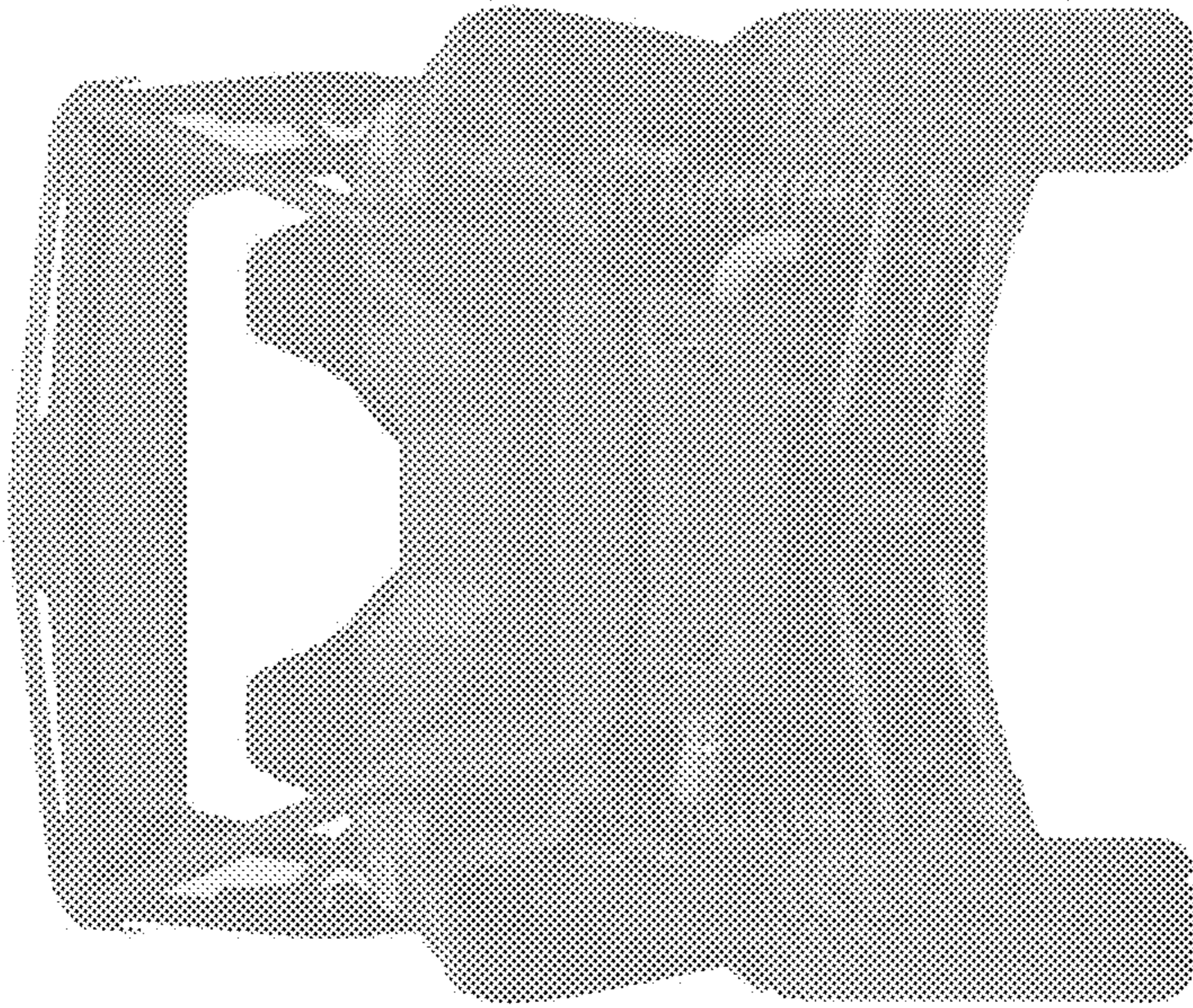


FIG.10