



US00D986107S

(12) **United States Design Patent** (10) **Patent No.:** **US D986,107 S**  
**Li** (45) **Date of Patent:** **\*\* May 16, 2023**

(54) **FLAGPOLE BRACKET**  
(71) Applicant: **FLYHAWK INC.**, Chino Hills, CA (US)  
(72) Inventor: **Jun Li**, Chino Hills, CA (US)  
(73) Assignee: **FLYHAWK INC.**, Chino Hills, CA (US)  
(\*\*) Term: **15 Years**  
(21) Appl. No.: **29/818,947**  
(22) Filed: **Dec. 11, 2021**  
(51) **LOC (14) Cl.** ..... **11-05**  
(52) **U.S. Cl.**  
USPC ..... **D11/181**  
(58) **Field of Classification Search**  
USPC .... D11/166, 181, 182, 183, 184; D8/37, 38, D8/72, 330, 339, 349, 351, 354, 363, 373, D8/376, 378, 380, 382, 383, 394, 396; D20/16, 17, 33, 41, 42, 43  
CPC ..... A47G 7/045; A45F 3/44; G09F 17/00; H01Q 1/1228  
See application file for complete search history.

D532,281 S \* 11/2006 Vegvary ..... E04F 11/1834 D8/343  
D548,051 S \* 8/2007 Ruppert ..... D8/354  
D552,947 S \* 10/2007 Ewasiuk ..... D8/5  
D592,765 S 5/2009 Jeanveau  
D614,477 S \* 4/2010 Edwards ..... E04F 11/1834 D8/354  
D639,206 S 6/2011 Lach  
D688,596 S 8/2013 Dunn  
D693,732 S 11/2013 Dunn  
D695,593 S \* 12/2013 Nunez Farfan ..... D8/354  
D750,529 S 3/2016 Power  
D758,592 S 6/2016 Livengood et al.  
D771,522 S 11/2016 Grenade  
D905,537 S \* 12/2020 Marsden ..... D8/354  
D910,427 S \* 2/2021 Yang ..... D8/382  
D929,897 S 9/2021 Cooley  
D959,538 S 8/2022 Liang et al.

**FOREIGN PATENT DOCUMENTS**

KR 300525951000 4/2009

\* cited by examiner

*Primary Examiner* — Karen S Acker  
(74) *Attorney, Agent, or Firm* — Jiwen Chen; Joywin IP Law PLLC

(57) **CLAIM**

The ornamental design for a flagpole bracket, as shown and described.

**DESCRIPTION**

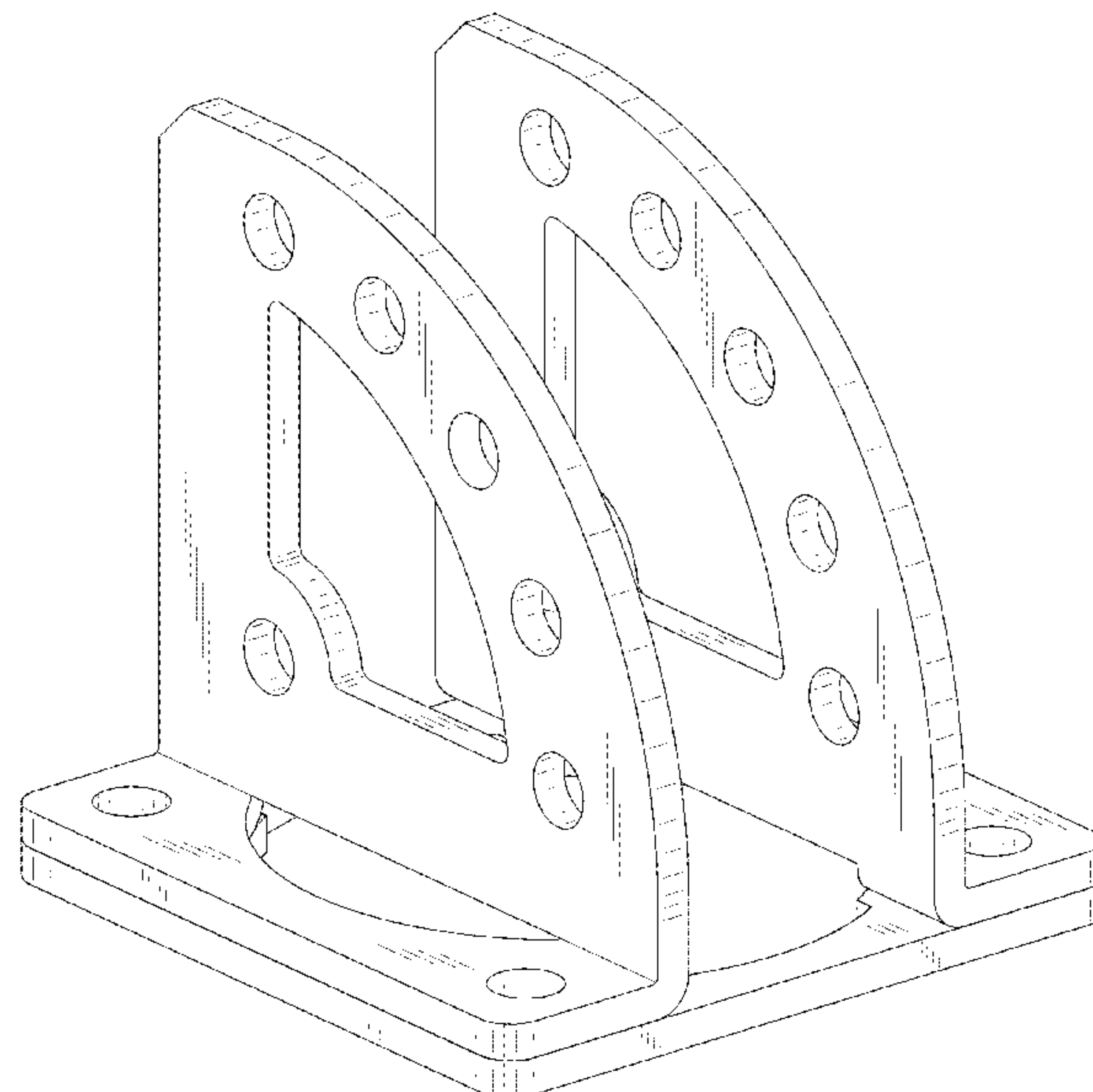
FIG. 1 is a perspective view of the flagpole bracket showing the design;  
FIG. 2 is a front elevational view thereof;  
FIG. 3 is a rear elevational view thereof;  
FIG. 4 is a bottom plan view thereof;  
FIG. 5 is a top plan view thereof;  
FIG. 6 is a right side view thereof; and,  
FIG. 7 is a left side view thereof.

**1 Claim, 7 Drawing Sheets**

(56) **References Cited**

**U.S. PATENT DOCUMENTS**

D246,013 S 10/1977 Morris et al.  
D268,338 S 3/1983 Palmer  
D271,006 S 10/1983 Bwenatek  
D272,211 S \* 1/1984 Rock ..... D8/323  
D340,676 S 10/1993 Gallagher  
D348,827 S \* 7/1994 Berti ..... D8/382  
D420,566 S \* 2/2000 Ely ..... D8/354  
D426,453 S \* 6/2000 Stearns ..... D8/354  
D436,516 S \* 1/2001 Lambacher ..... D8/349  
D439,865 S 4/2001 Martin  
D512,903 S \* 12/2005 Gallien ..... D8/349  
D530,239 S 10/2006 Morford



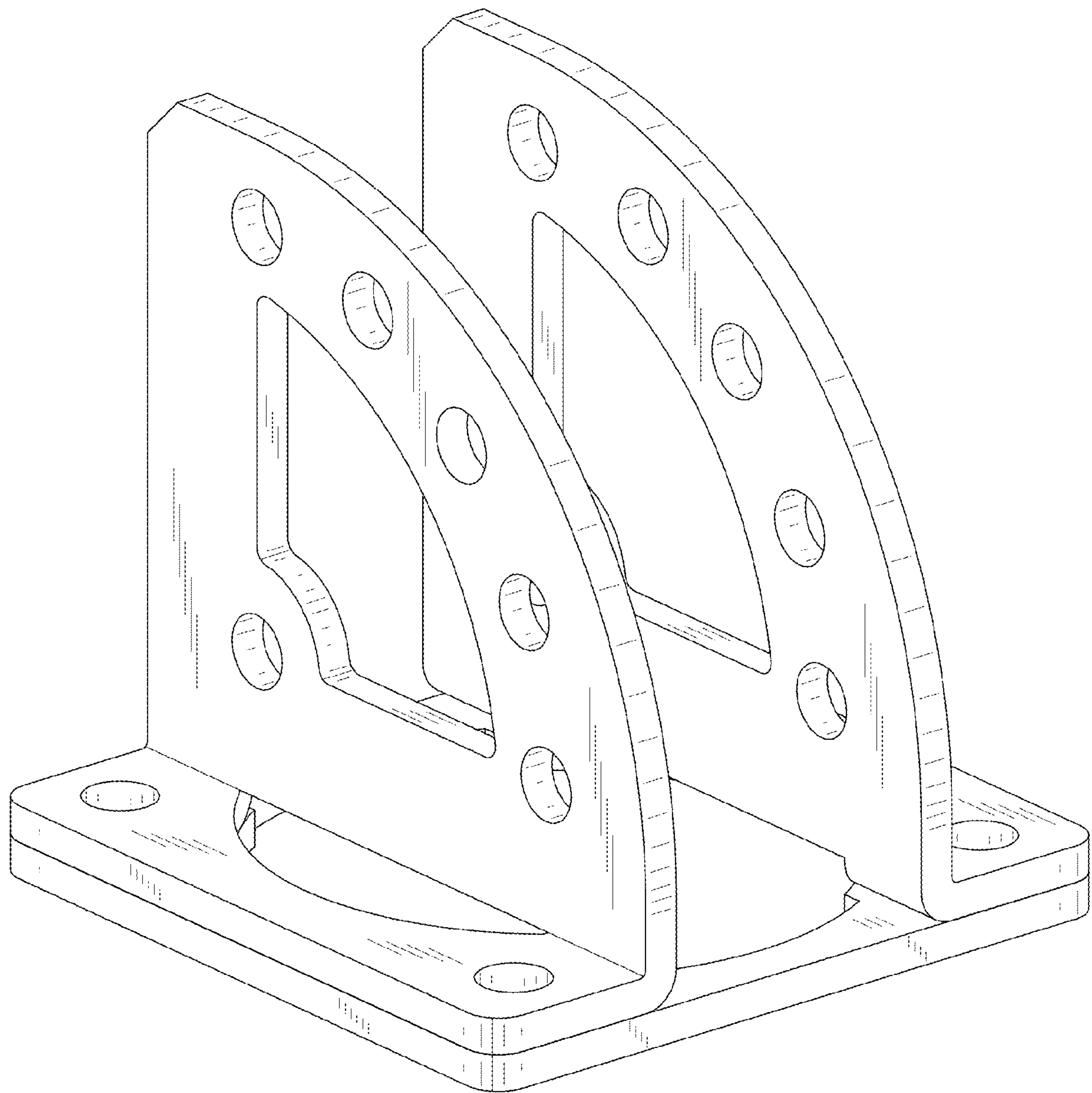


FIG. 1

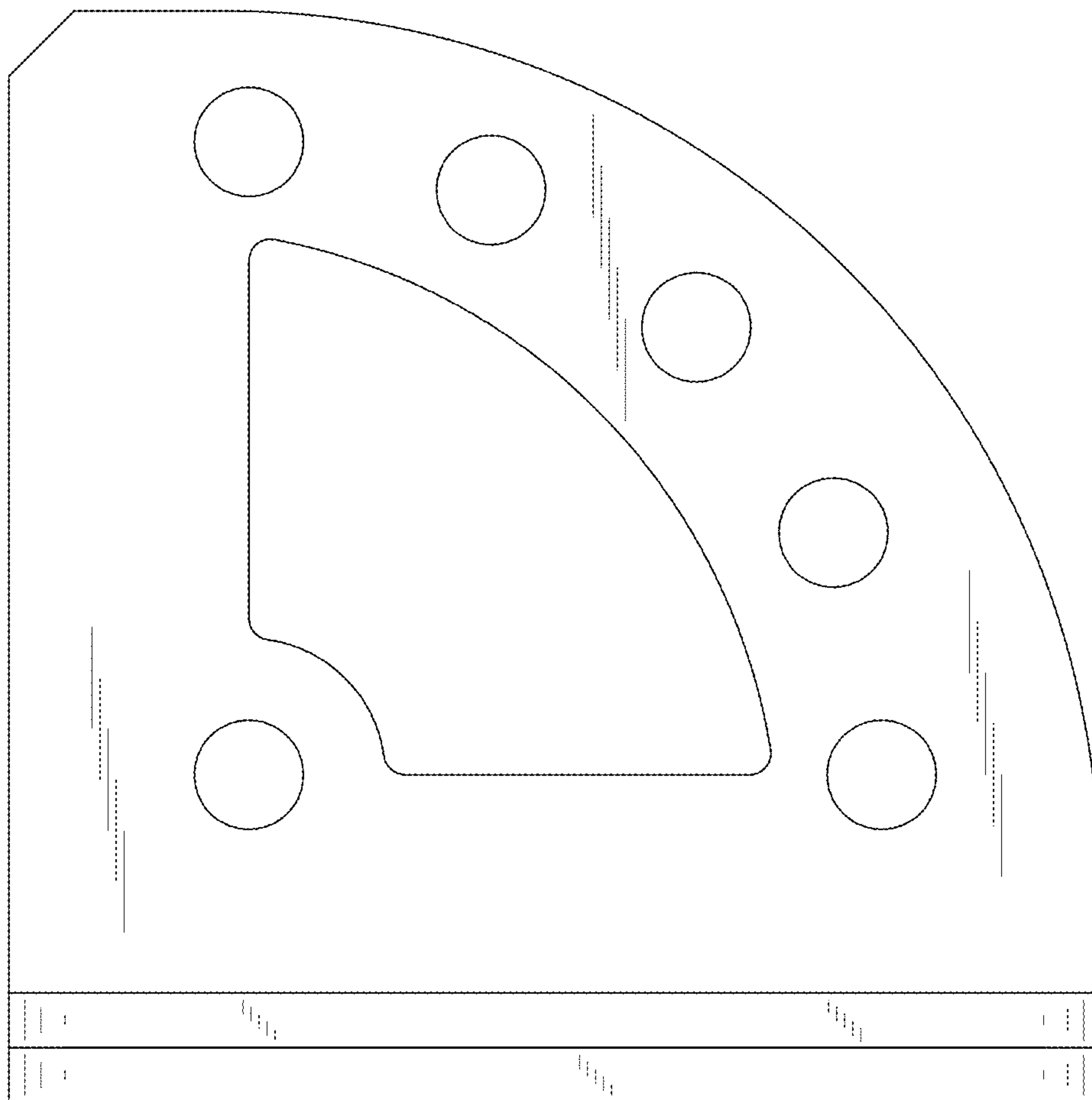


FIG. 2

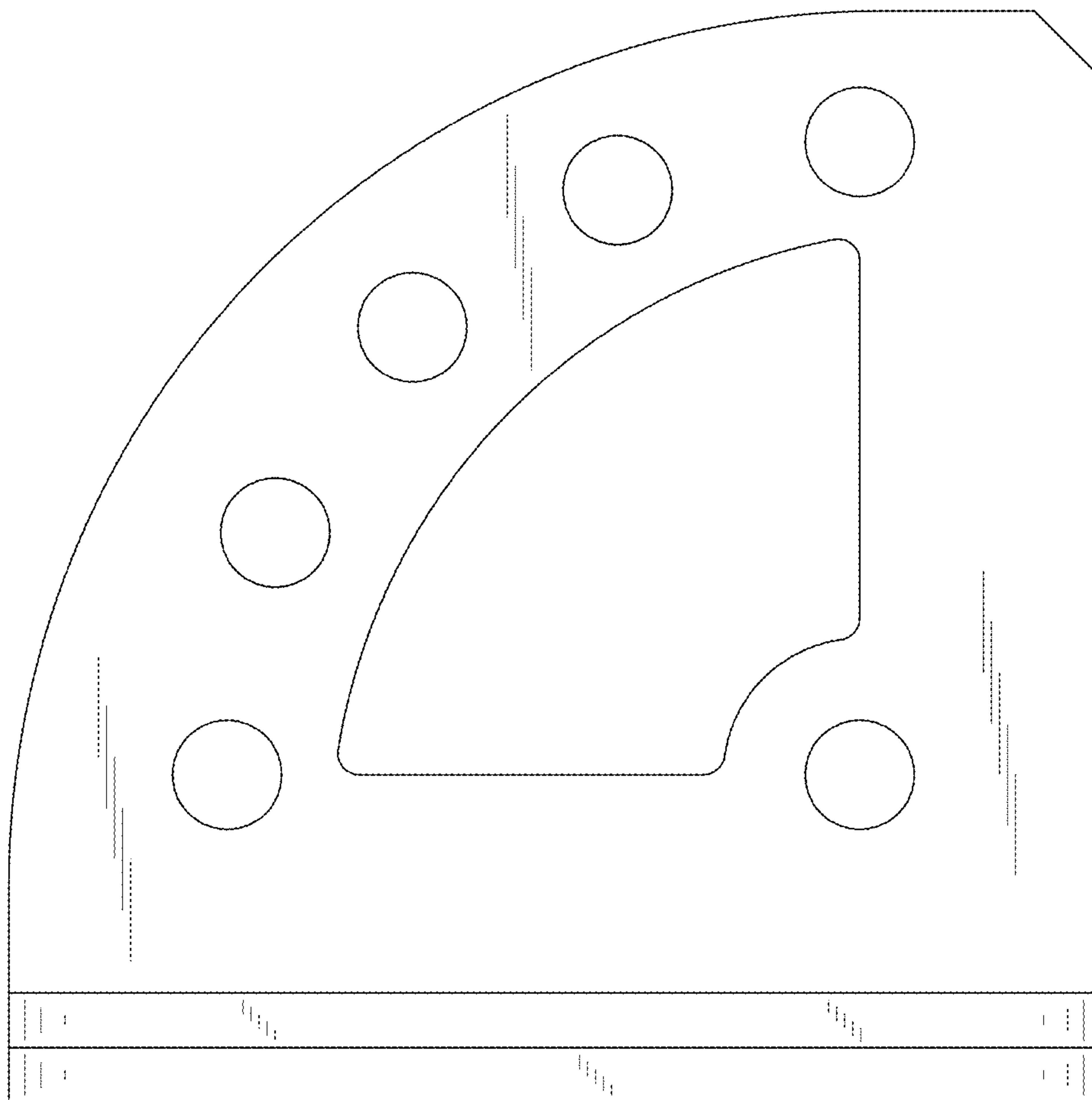


FIG. 3

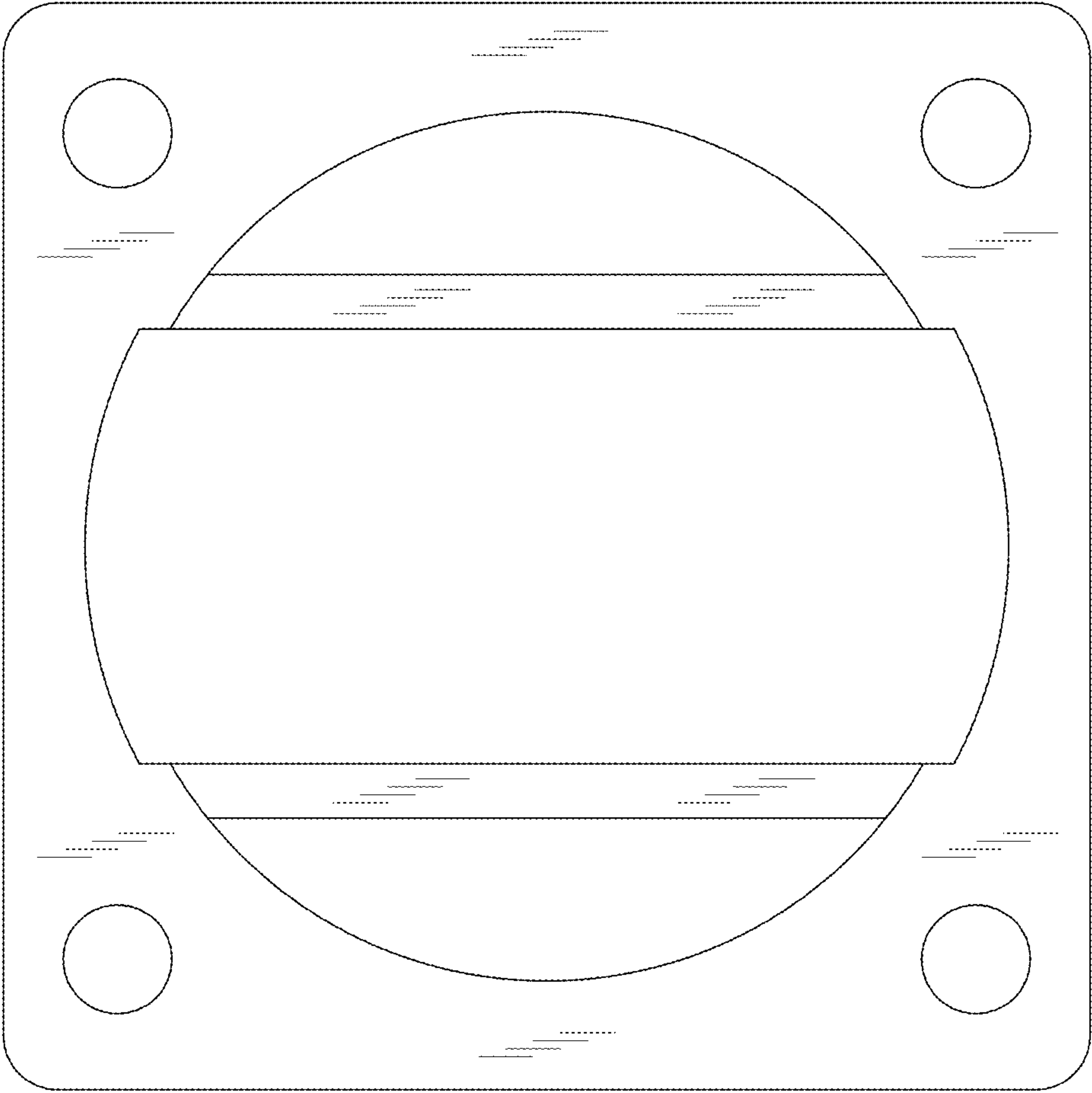


FIG. 4

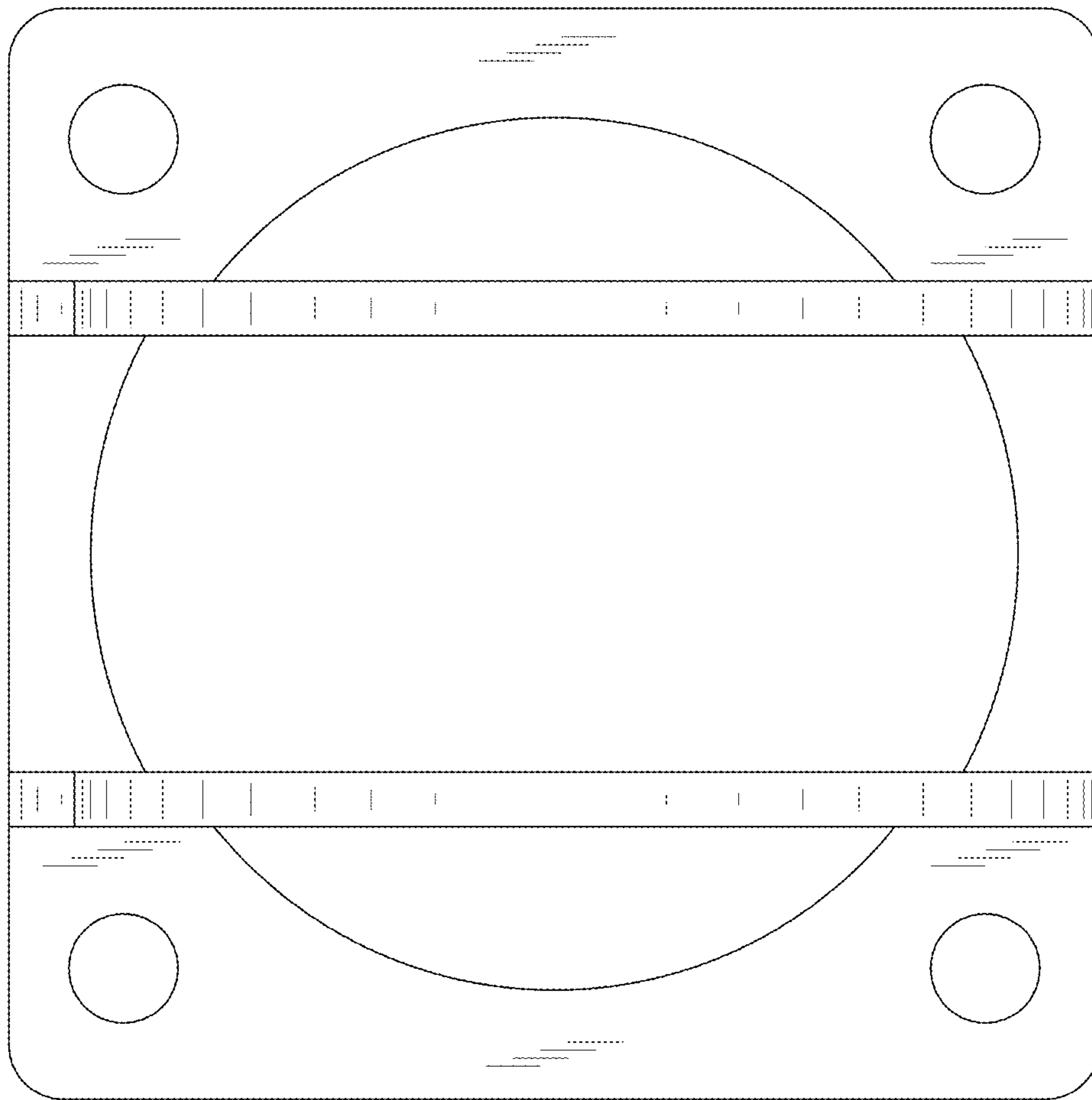


FIG. 5

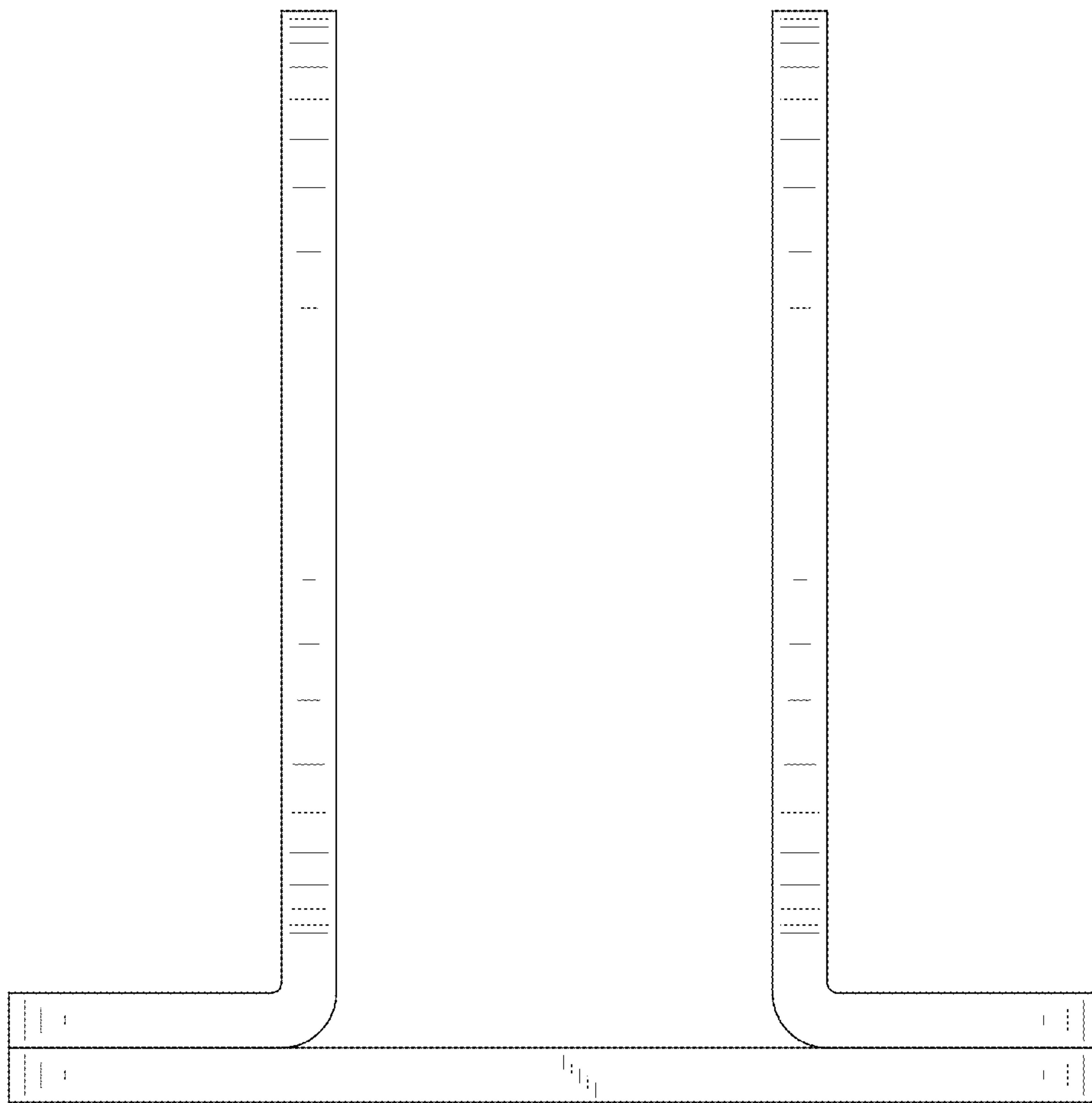


FIG. 6

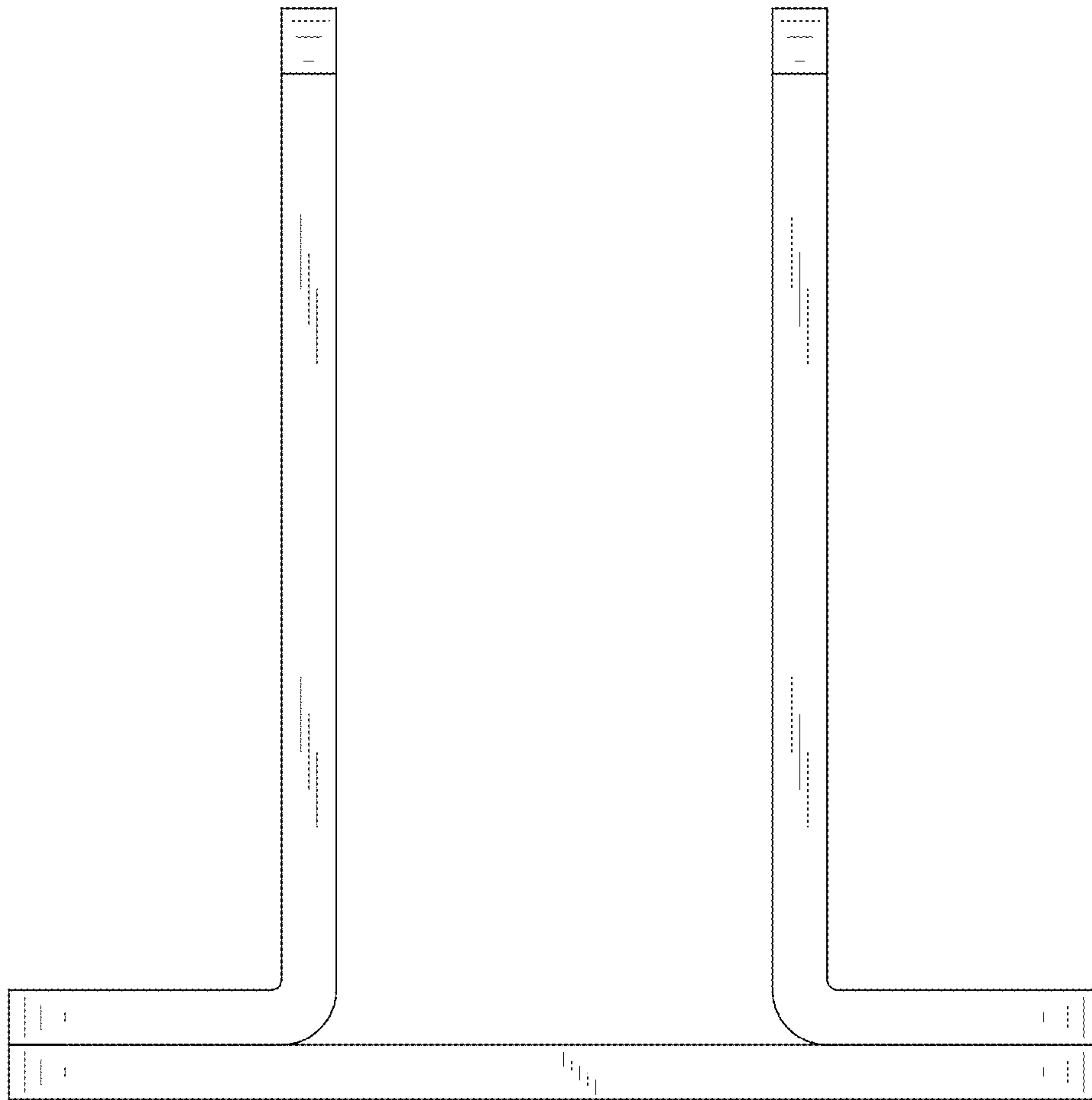


FIG. 7